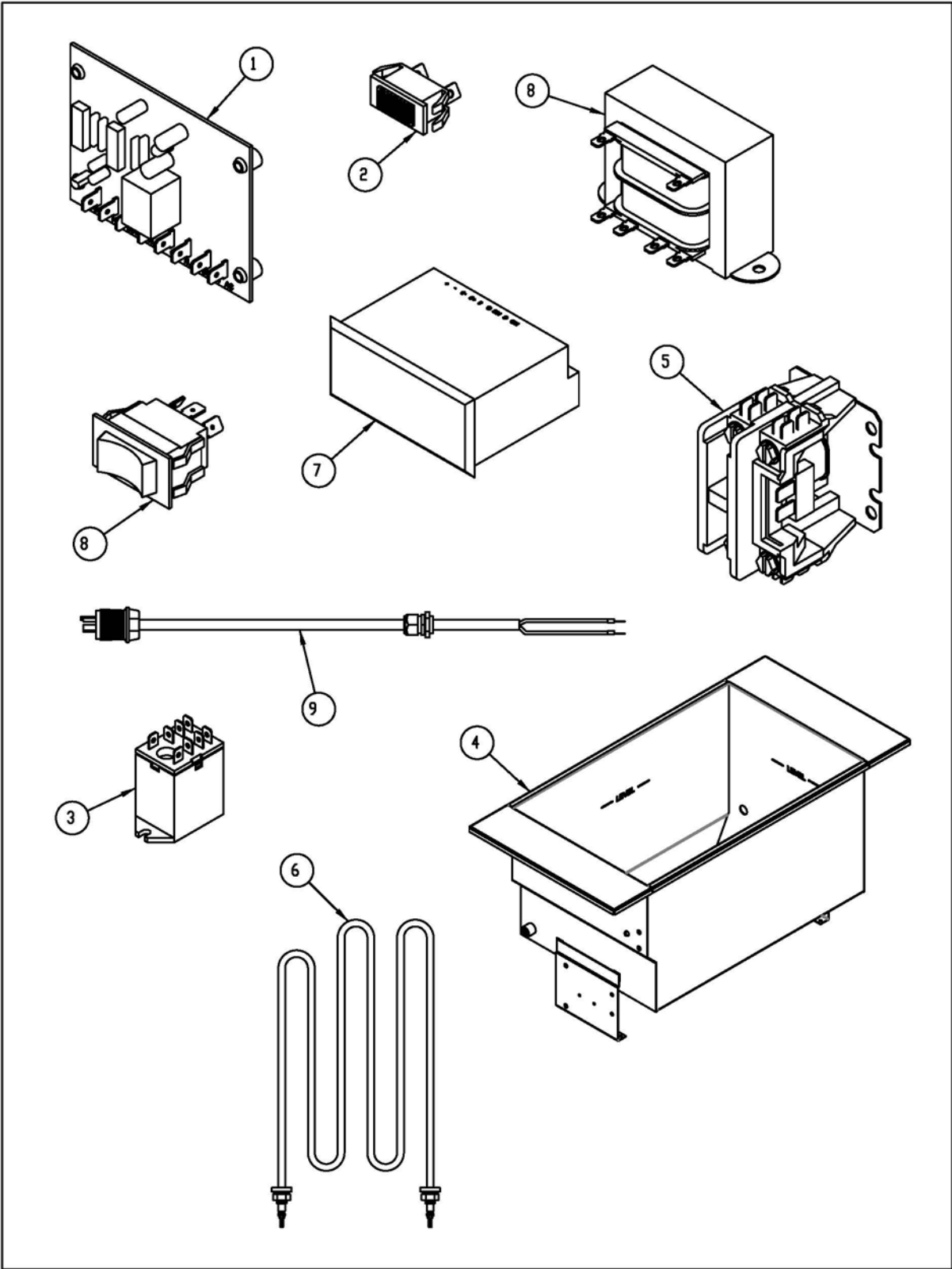




Tim Horton's  
Exploded Parts Manual  
TH-CRTE



**PARTS**

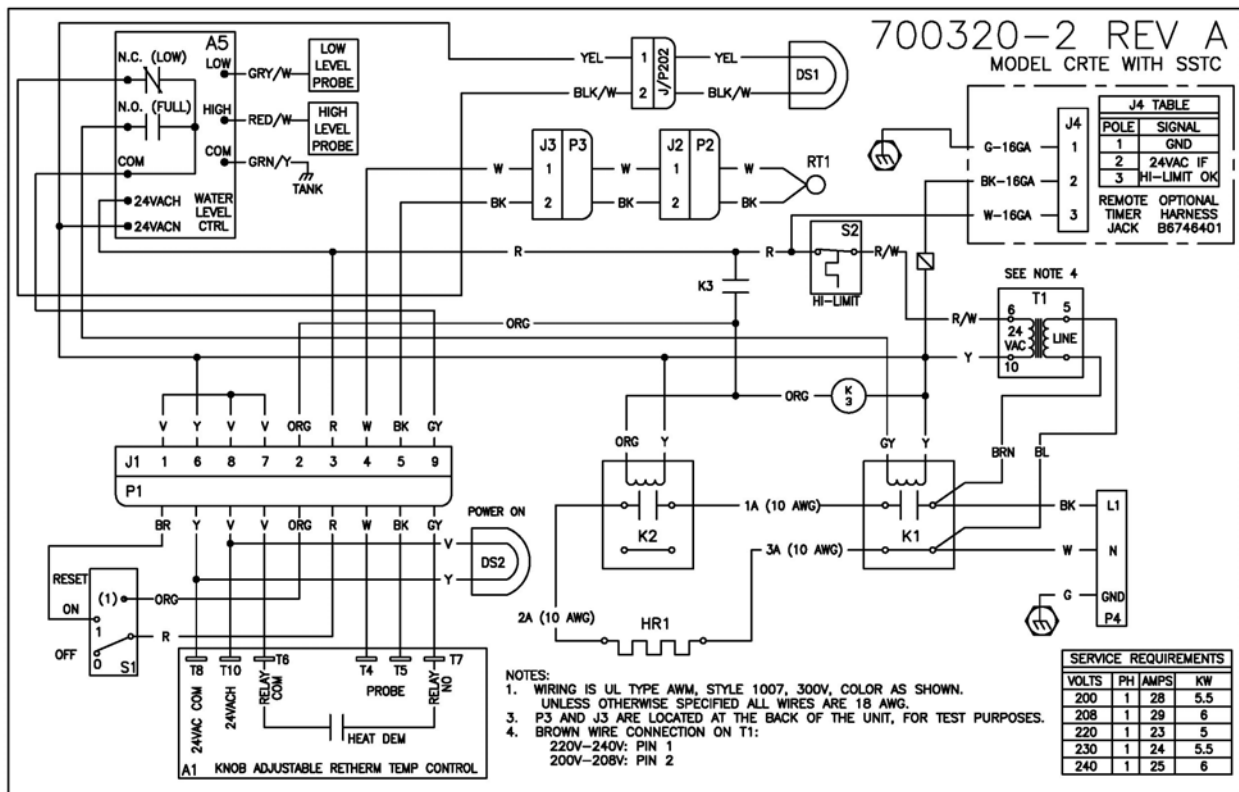




## PARTS LIST

Item	Part No.	Description
1	<a href="#">60087202</a>	Control, Liquid Level 24VAC
2	<a href="#">P5045044</a>	Lamp, 28V Amber Rectangle
	<a href="#">P5045040</a>	Lamp, 28V Red Rectangle
3	<a href="#">P5046688</a>	Relay, 24VAC SPDT
4	B3323301	Tank, Weldment CRTE
5	<a href="#">60131201</a>	Contact, 24V, 1 Pole 30A
6	<a href="#">50008301</a>	Element, Tubular 6KW 208V
	<a href="#">50008302</a>	Element, Tubular 6KW 240V
NS	<a href="#">60171201</a>	Control, Thermostat Solid State 140-200F
NS	P8905-15	Probe, Temperature "Solid State"
NS	<a href="#">60128601</a>	Switch, High Temperature Limit
7	<a href="#">PP10210</a>	Transformer, 40VA 120/208/240V TO 24V
8	<a href="#">PP10559</a>	Switch, Rocker DPDT 0-1-(1)
9	<a href="#">60129102</a>	Cord, 30A Sleeved Twist Lock Plug, NEMA-L6-30P
	<a href="#">60129103</a>	Cord, 30A Right Angle Plug, NEMA-L6-30P
NS	<a href="#">60129001</a>	Drain Hose, Assembly CRTE 4 Foot
10	700320-2	Electrical Schematic

# Electric Schematic



In the event of problems with or questions about your order, please contact the Pitcco factory at:

(603) 225-6684 World Wide  
www.Pitcco.com

In the event of problems with or questions about your equipment, please contact the Pitcco Authorized Service and Parts representative (ASAP) covering your area, or contact Pitcco at the numbers listed to the left.

MAILING ADDRESS – P.O. BOX 501, CONCORD, NH 03302-0501  
SHIPPING ADDRESS – 10 FERRY ST., CONCORD, NH 03301