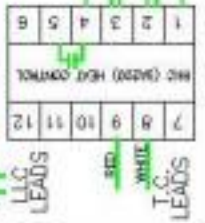


TO WASH TANK
TO WASH LPT. SPDRS

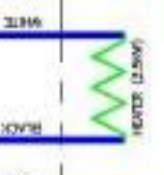
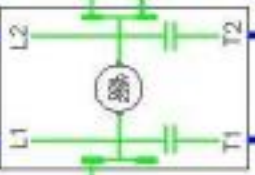
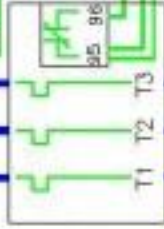
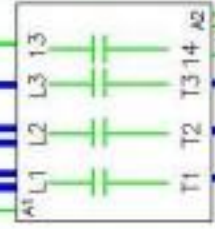
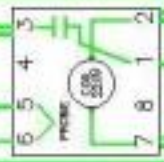
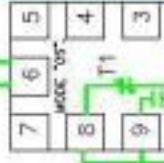


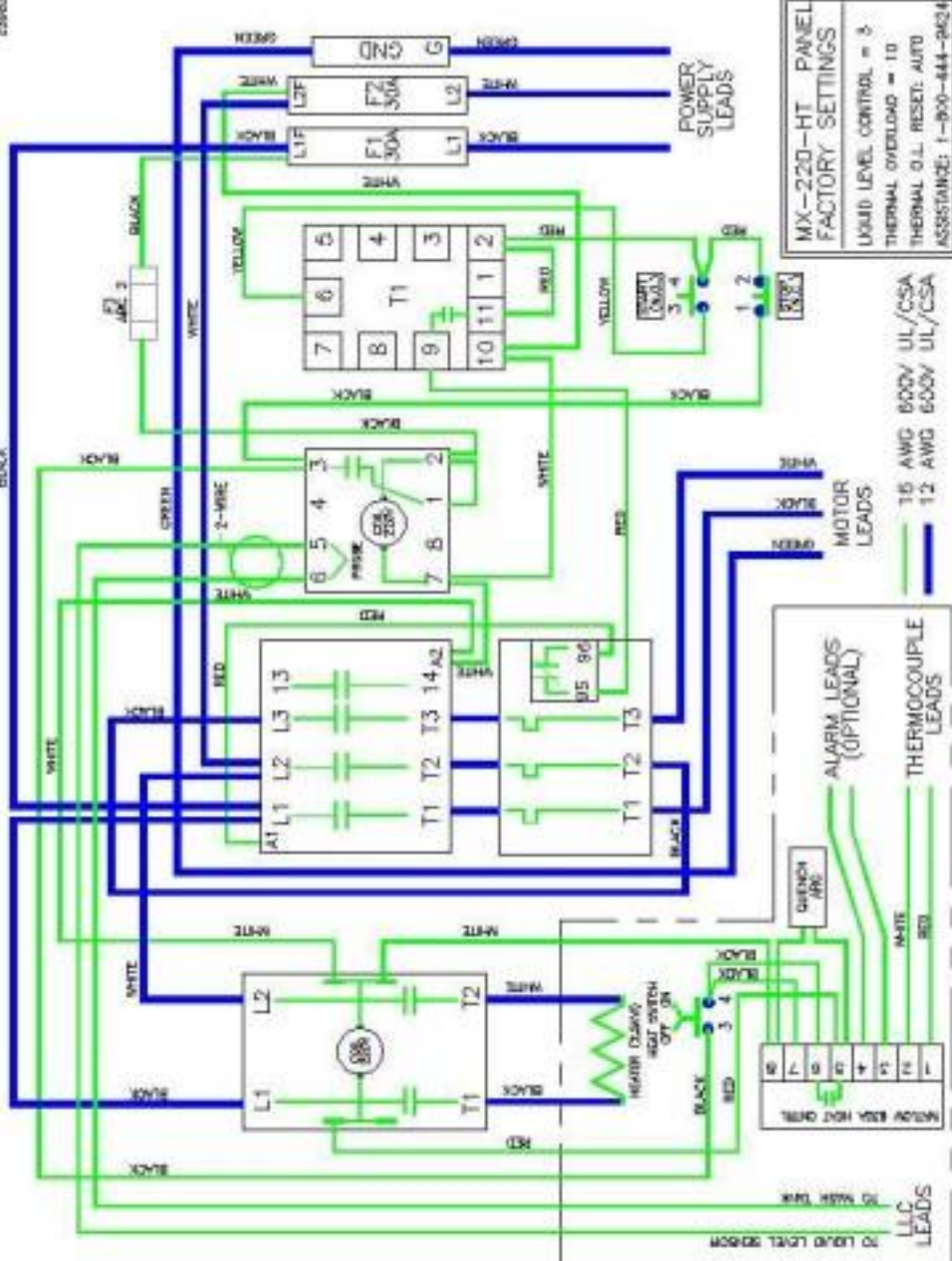
MX-220-HTS PANEL FACTORY SETTINGS

TIMER MODE = 05
 THERMAL OVERLOAD = 11.5
 THERMAL O.L. RESET: AUTO
 ASSISTANCE: 1-800-444-9034

POWER SUPPLY LEADS
 USE COPPER CONDUCTORS ONLY

START (M25) 3 4
 STOP (M25) 1 2





**MX-220-HT PANEL
FACTORY SETTINGS**

LIQUID LEVEL CONTROL = 3
 THERMAL OVERLOAD = 10
 THERMAL O.L. RESET: AUTO
 ASSISTANCE: 1-800-444-2624

15 AWG 600V UL/CSA
 12 AWG 600V UL/CSA

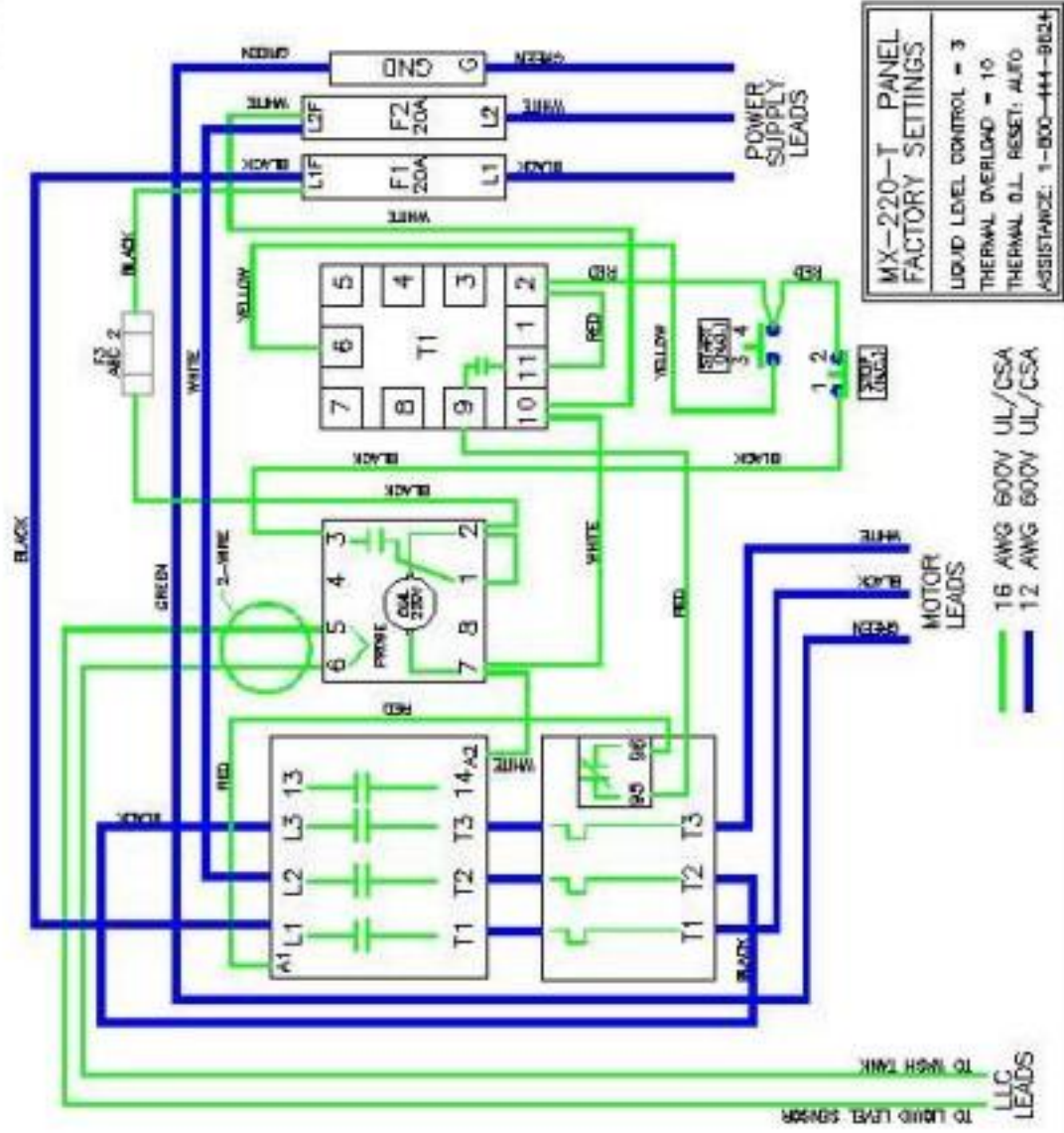
ALARM LEADS
(OPTIONAL)

THERMOCOUPLE
LEADS

15 AWG 600V UL/CSA
 12 AWG 600V UL/CSA

LLC LEADS

15 AWG 600V UL/CSA
 12 AWG 600V UL/CSA

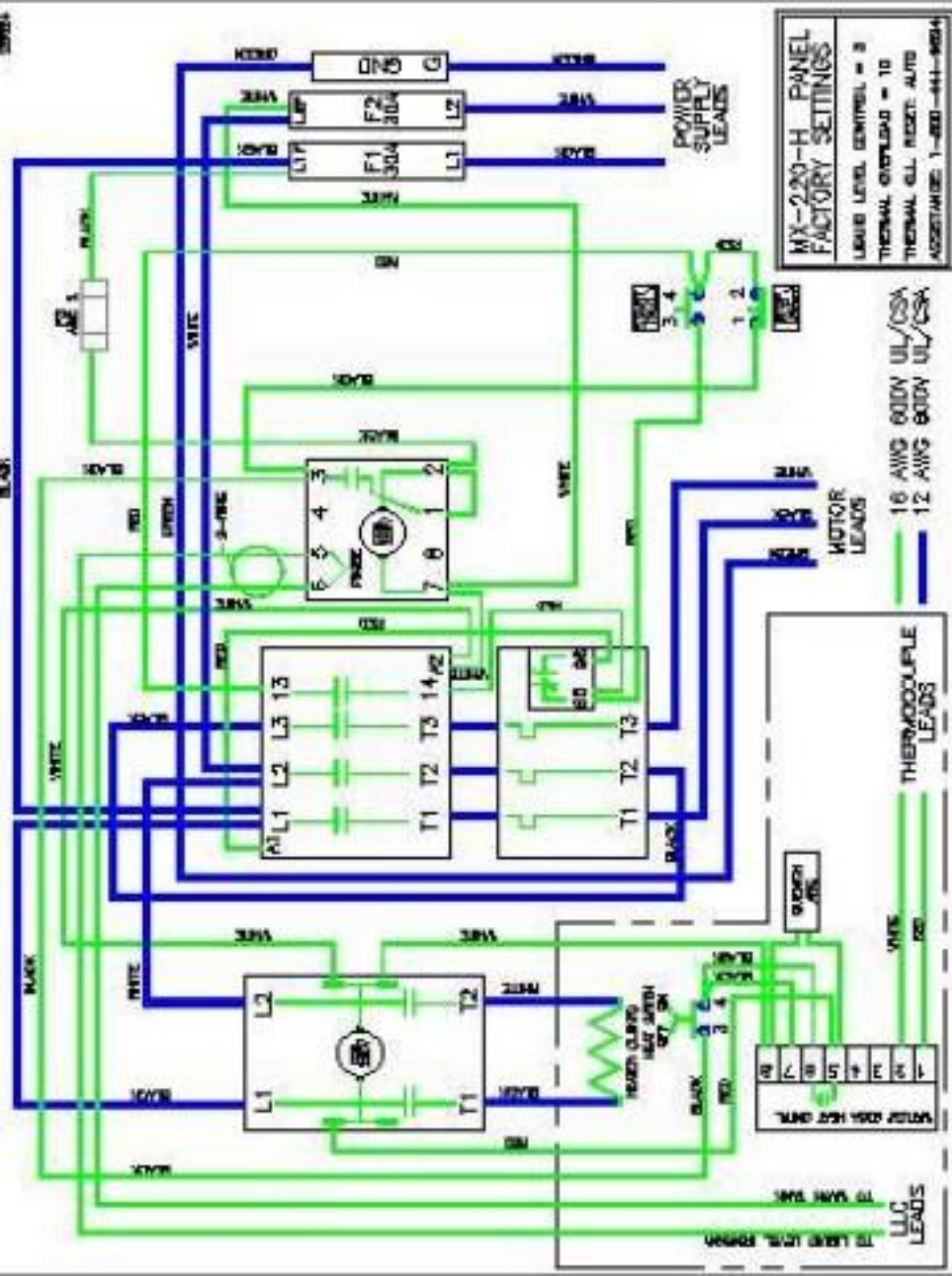


**MX-220-T PANEL
FACTORY SETTINGS**

LIQUID LEVEL CONTROL = 3
 THERMAL OVERLOAD = 10
 THERMAL O.L. RESET: AUTO
 ASSISTANCE: 1-800-444-9624

16 AWG 600V UL/CSA
 12 AWG 600V UL/CSA

TO WASH TANK
 TO LIQUID LEVEL SENSOR
 LLC LEADS



**MX-220-H PANEL
FACTORY SETTINGS**

| | |
|--------------------|----------------|
| LEAD LEVEL CONTROL | = 2 |
| THERMAL OVERLOAD | = 10 |
| THERMAL CL. RESET | AUTO |
| ACCELERATE | 1-800-444-9824 |

| | | | | | | | | | | |
|----|----|----|----|----|----|----|----|----|----|----|
| 10 | 11 | 12 | 13 | 14 | 15 | 16 | 17 | 18 | 19 | 20 |
| W | U | V | W | U | V | W | U | V | W | U |

WIRE POS. HEAT SW.

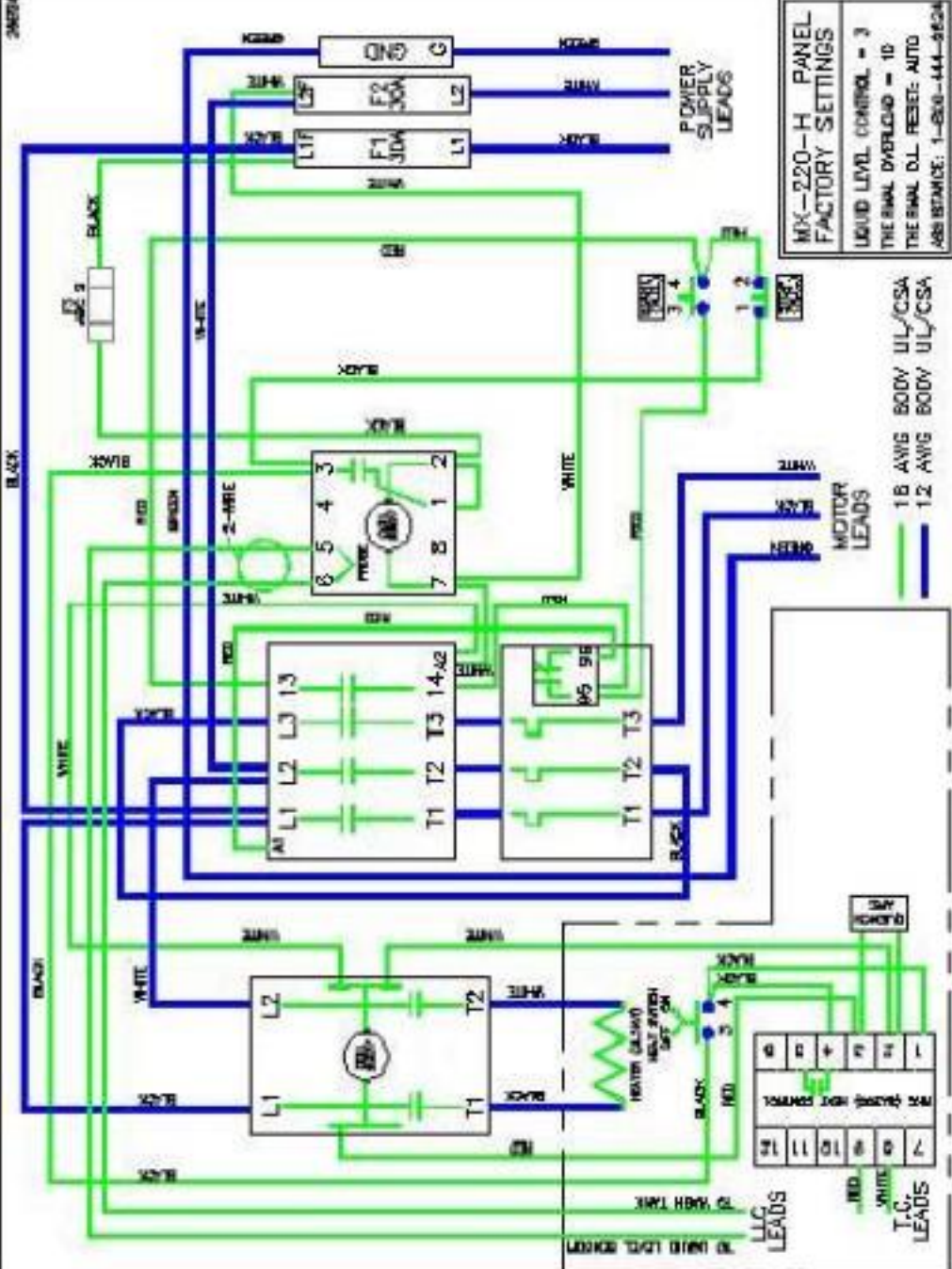
TO MAIN PANEL
TO LEAD IN/OUT

MOTOR LEADS

16 AWG BODY UL/CSA
12 AWG BODY UL/CSA

THERMOCOUPLE LEADS

WIRE POS. HEAT SW.



**MX-220-H PANEL
FACTORY SETTINGS**

LIQUID LEVEL CONTROL = 3
 THE FINAL OVERLOAD = 10
 THE SMALL D.L. RESET: AUTO
 ABS STANCE: 1-850-444-9624

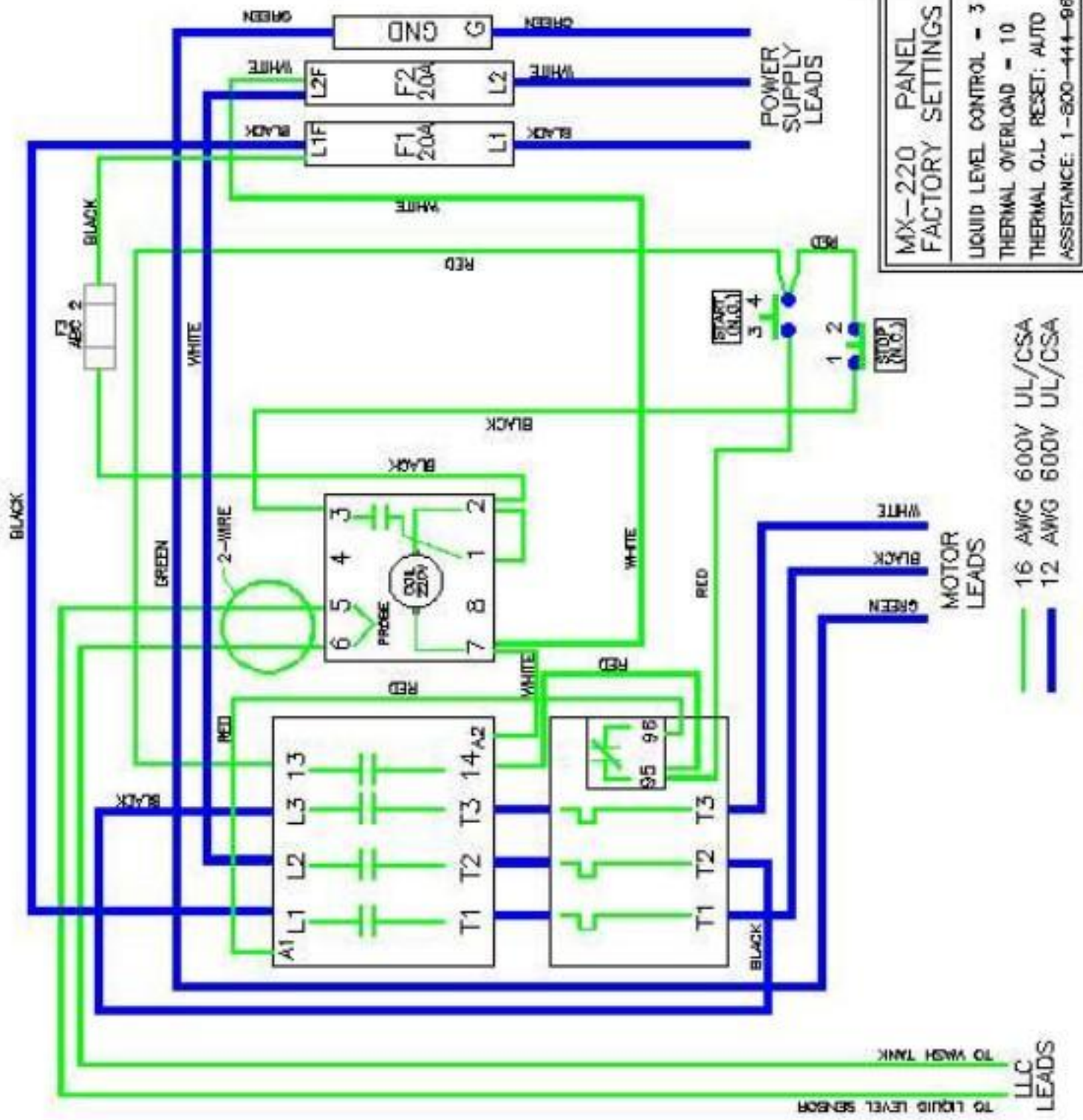
18 AWG BODY UL/CSA
 12 AWG BODY UL/CSA

L.L.C. LEADS

| | | | | | |
|-----|-------|-------|-------|-------|-------|
| 1 | 2 | 3 | 4 | 5 | 6 |
| RED | WHITE | WHITE | WHITE | WHITE | WHITE |

T.C. LEADS

| | | | | | |
|-----|-------|-------|-------|-------|-------|
| 1 | 2 | 3 | 4 | 5 | 6 |
| RED | WHITE | WHITE | WHITE | WHITE | WHITE |



**MX-220 PANEL
FACTORY SETTINGS**

LIQUID LEVEL CONTROL - 3
 THERMAL OVERLOAD - 10
 THERMAL O.L. RESET: AUTO
 ASSISTANCE: 1-800-444-9622

16 AWG 600V UL/CSA
 12 AWG 600V UL/CSA