

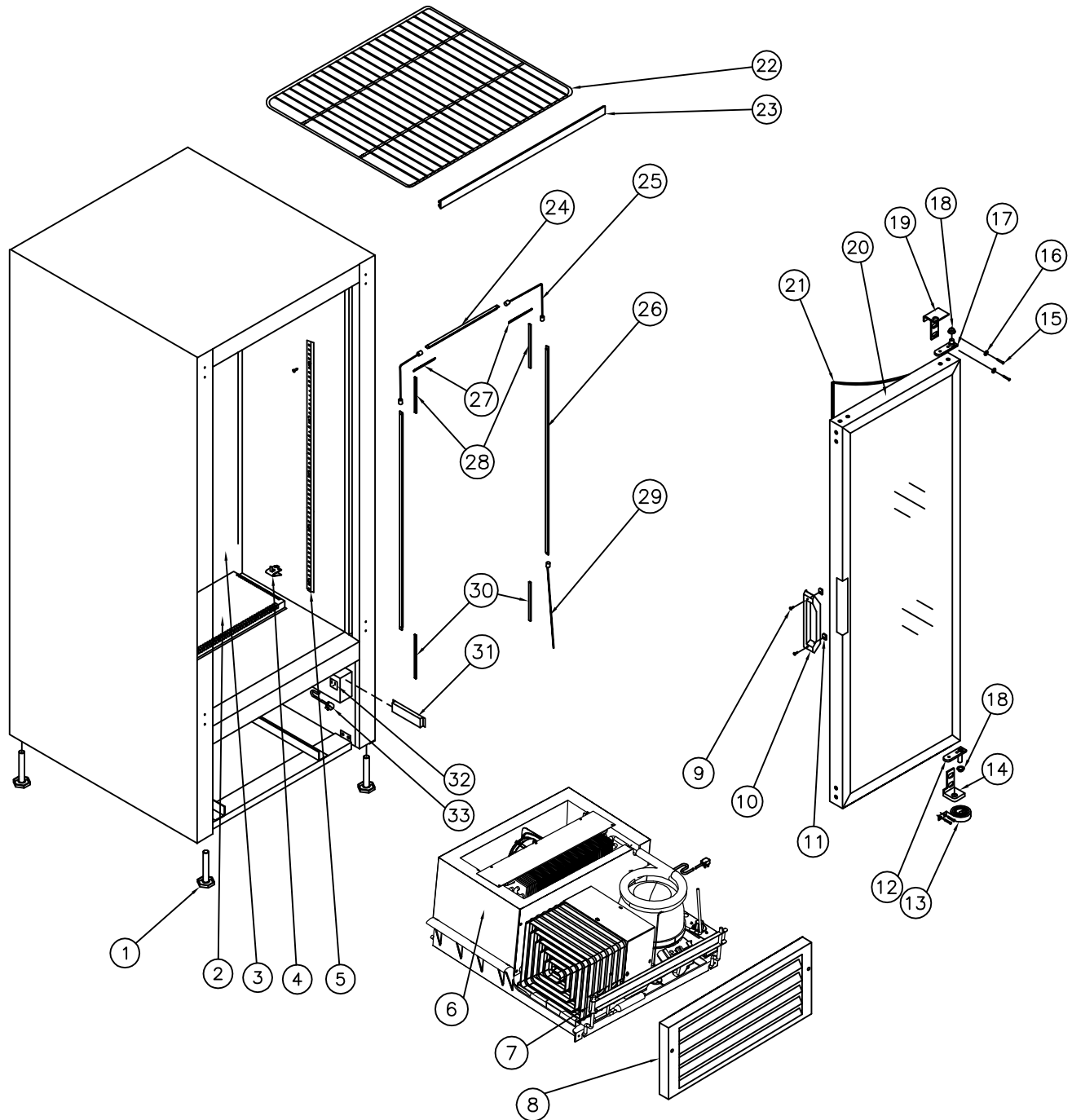
QBD[®] Cooling Systems

31 BRAMSTEELE ROAD
BRAMPTON, ONTARIO
L6W 3K6

TEL: (905) 459-0709
FAX: (905) 459-1478

COOLER : CD12-HC
84-7012-XXX, 120V, 60Hz

Exploded View : CD12-HC



NOTE: FOR LEFT HAND HINGE DETAILS, SEE PARTS LISTING.



QBD Cooling Systems Inc.
31 Bramstele Road
Brampton, ON, L6W 3K6
Canada
Telephone: (905) 459-0709
Toll Free: (800) 663-3005
Fax: (905) 459-0709
info@qbd.com
www.QBD.com

CD12-HC Cooler

(84-7012-XXX) 120V, 60 Hz.

| Item No. | Part No. | Pepsi Part No. | Description | Item No. | Part No. | Pepsi Part No. | Description |
|----------|---------------|----------------|-------------------------------------|----------|-------------|----------------|------------------------------|
| 1 | 47-0530-089 | 510204 | Level Leg ½ x 3 x 1 ¾ AF | 18 | 47-0080-011 | 1005559 | Insert Bronze ⅝ OD x ¼" |
| 2 | 47-0035-106 | 1024441 | Duct, CD Small Air | 19 | 47-0090-012 | 81559 | Hinge, DC/CD RH Top Door |
| 3 | 47-0035-745 | | Panel CD12 Back Discharge | 20 | 47-7641-739 | 1004006 | Door Assy CD12 |
| 4 | 53-0377-032 | 510362 | Bracket (Clip) Shelf Support | 21 | 47-0140-017 | 60136 | Gasket Door CD12 |
| 5 | 47-0034-085 | 1031905 | Pilaster Strip, 40%" | 22 | 47-0200-176 | 1002187 | Shelf, CD10/12 Flat |
| 6a | 80-0011-227F1 | 1027020 | Ref. Chassis ¼ HP CD HC R290 | 23a | 47-0130-250 | 1000819 | Price Holder 18¾" Black |
| 6b | 80-0011-227E1 | | Ref. Chassis ⅜ HP CD HC R290 | 23b | 47-0130-130 | 1008789 | Price Holder 18¾" Blue |
| 7 | 47-0033-411 | 1020397 | Bracket, CD ¼ HP Lift Rod Lock | 24 | 47-0530-669 | 1027015 | LED 11½" 6500K - 7000K |
| 8 | 47-0120-183 | 1008303 | Grill, CD10/12 Plastic Front | 25 | 47-0450-288 | 1032427 | Connector, 12" Butt |
| 9 | 47-0400-038 | 1005107 | Screw ST 8-32 X ⅝ PH FT HD BLK | 26 | 47-0530-671 | 1027017 | LED 35½" 6500K - 7000K |
| 10 | 47-0120-166 | 1002413 | Handle, Recess Dr Charcoal Gray | 27 | 47-0130-740 | 1033338 | Cap, CD10/12-HC Top LED |
| 11 | 47-0090-072 | 1032958 | Insert, Door Handle | 28 | 47-0130-738 | 1033334 | Cap, CD12-HC Top LED |
| 12 | 47-0090-082 | 1009577 | Pin, Pivot Bottom | 29 | 47-0450-283 | 1032170 | Connector, 12" Wire Lead |
| 13 | 53-0149-069 | 510108 | Spring Door | 30 | 47-0130-739 | 1033336 | Cap, CD12-HC Bottom Side LED |
| 14 | 47-0090-013 | 80977 | Hinge, DC/CD RH Bottom Door | 31 | 47-0440-087 | 1029550 | Driver, LED 20W |
| 15 | 47-0264-308 | 83973 | Screw MA ¼ - 20 X ¼ PAN HD QUAD | 32 | 47-0440-007 | 1003097 | Outlet, 3 Wire |
| 16 | 53-0267-006 | 83974 | Washer ¼ Split Lock Zinc | 33 | 18-7218-001 | 1007217 | Cord, Power 14/3 SJTW-A 12' |
| 17 | 47-0090-081 | 1009576 | Pin, Pivot Top | | | | |

Left Hand Hinge Parts:

| | | |
|-------------|---------|-----------------------|
| 47-0090-015 | 1001724 | Hinge, LH Bottom Door |
| 47-0090-014 | 1001725 | Hinge, LH Top Door |

Decals / Lens:

| | |
|-------------|--------------------|
| 47-8811-XXX | Decal Door CD10/12 |
| 47-8812-XXX | Decal Side CD12 RH |
| 47-8933-XXX | Decal Side CD12 LH |

Harmony Kits

| | |
|-------------|----------------------------------|
| 47-0520-291 | Kit, CD12PH Pepsi Blue |
| 47-0520-292 | Kit, CD12PH Hello Goodness White |
| 47-0520-293 | Kit, CD12PH Mountain Dew Green |
| 47-0520-294 | Kit, CD12PH Lipton Yellow |

Accessories:

| | | |
|-------------|---------|-------------------------------------|
| 47-0011-091 | 1004688 | Shelf, 600ml Gravity |
| 47-0034-128 | 61726 | Key, Door T-Handle |
| 47-0060-177 | 1030113 | Gasket Seal UL Ref CD ¼ HP |
| 47-0130-506 | 1005148 | Shelf Glide CD10/12/4148 Blue |
| 47-0130-586 | | Shelf Glide CD10/12/4148 White |
| 47-0520-214 | 57175 | Caster Kit – Uni-Directional |
| 47-0520-216 | 1001844 | Caster Kit – Swivel Type |
| 47-0520-223 | 43455 | Kit, CD10/12 Door Lock |
| 47-0520-245 | 1001883 | Kit, Casters Transfer - No Wheels |
| 47-0520-279 | | Kit Electrics for EM2X3121U (227F1) |
| 47-0520-301 | | Kit Electrics for EMI50UER (227E1) |
| 47-0530-240 | | Thermometer 4" |