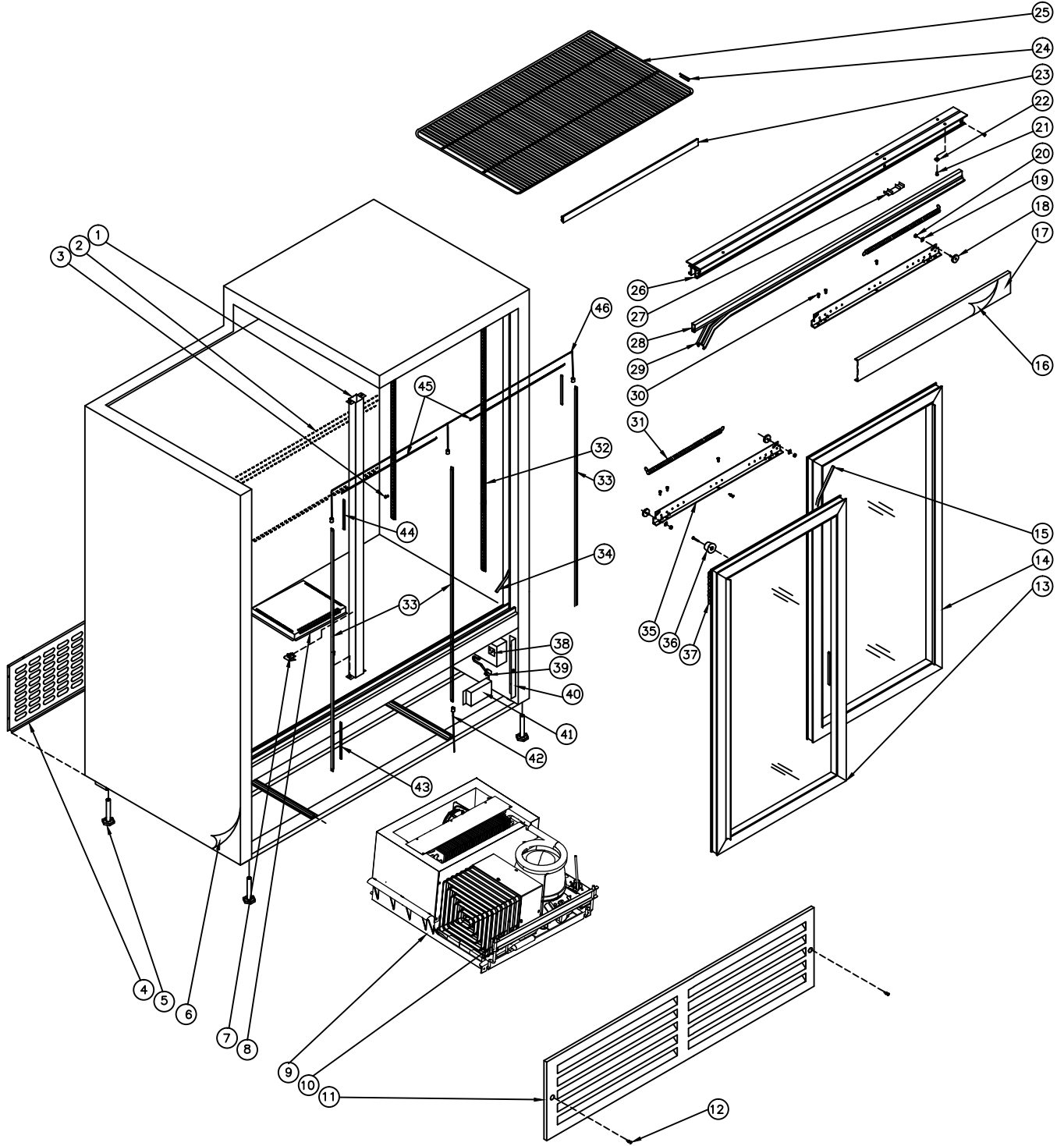


QBD® Cooling Systems

31 BRAMSTEELE ROAD
BRAMPTON, ONTARIO
L6W 3K6

TEL: (905) 459-0709
FAX: (905) 459-1478

COOLER: CD1456HC
84-7085-XXX



CD1456-HC Cooler

(84-7085-XXX) 120V, 60 Hz.

| Item No. | Part No. | Pepsi Part No. | Description | Item No. | Part No. | Pepsi Part No. | Description |
|----------|-----------------------------|----------------|--|----------|-----------------------------|----------------|-----------------------------------|
| 1 | 47-0034-989 | | Post Center, CD1456 | 24 | 47-0034-003 | | Clip, Shelf Stopper CD14HB |
| 2 | 47-0034-596 | | Panel CD14 Top Discharge | 25 | 47-0200-182 | 1002189 | Shelf Standard CD14 |
| 3 | 47-0400-007 | 510282 | SCW, Pilaster Strip "Custom" | 26 | 47-0034-953 | | Track, Door DC3354SSL |
| 4 | 47-8620-039 | | Grill, CD14 Back Cover Black | 27 | 47-7386-039 | 67589 | Extrusion Track Filler 7/8 |
| 5 | 47-0530-089 | 510204 | Level Leg 1/2 x 3 x 1 3/4 AF | 28 | 47-7393-839 | | Seal Holder Door CD1456 32" |
| 6 | 47-9128-XXX | | Decal Side CD1456 | 29 | 47-7359-039 | 69706 | Seal Foam Door Horizontal |
| 7 | 53-0377-032 | 510362 | Bracket (Clip) Shelf Support | 30 | 47-0400-019 | | SCW TR 8 - 32 x 1/2 Slot Hex HD |
| 8 | 47-0035-106 | 1024441 | Duct, CD Small Air | 31 | 53-0149-076 | 82310 | Spring Door DC40/49 |
| 9 | 80-0011-227 | | Ref. Chassis 1/4+ HP CD HC R290 | 32 | 47-0033-989 | | Pilaster Strip 3/4" |
| 10 | 47-0033-411 | 1020397 | Bracket, CD 1/4 HP Lift Rod Lock | 33 | 47-0530-671 | 1027017 | LED, 35.5" L11 35.5 Series |
| 11 | 47-9093-039 | | Grill CD1456 Front Black | 34 | 47-7379-039 | 69690 | Gasket Foam Vertical Cabinet 61LG |
| 12 | 47-0254-007 | | SCW MA 10 - 32 x 3/4 PH PAN HD | 35 | 47-0034-996 | | Bracket, CD1456 Door Mounting |
| 13 | 47-7692-739 | | Door Assy, CD1456 LH | 36 | 47-0120-075 | 1024709 | Bumper, Rubber Stopper #RB-186 |
| 14 | 47-7691-739 | | Door Assy, CD1456 RH | 37 | 47-0010-182 | | Chain Door Hook Up |
| 15 | 47-7361-039 | 69563 | Seal Foam Door Vertical | 38 | 47-0440-007 | 1003097 | Outlet 3 Wire |
| 16 | 47-9127-XXX | | Decal Header CD1456 | 39 | 18-7218-001 | 1007217 | Cord Power 14/3 SJTW-A 12' LG |
| 17 | 47-9092-039 | | Cover, CD1456 Wheel Black | 40 | 47-0033-779 | | Support Grill DC41 |
| 18 | 47-0530-088 | 69715 | Wheel Sliding Door 1" Dia 1/4 - 20 | 41 | 47-0440-087 | | Driver, ZLED 20 Watt |
| 19 | 53-0138-013 | 1006114 | Washer 1/4 Int - Ext 'A' | 42 | 47-0450-285 | | Connector, 36" Wire Lead |
| 20 | 47-0360-036 | 1006115 | Nut 1/4 - 20 Hex 2 Way Lock Zinc | 43 | 47-0130-790 | | Cap, CD10-HC Top/Bottom LED |
| 21 | 47-0264-308 | 83973 | SCW MA 1/4 - 20 X 3/4 Pan HD Quad | 44 | 47-0130-795 | | Cap, CD4154-HC Top LED |
| 22 | 53-0267-006 | 83974 | Washer 1/4 Split - Lock Zinc | 45 | 47-0130-914 | | Channel, CD1456-HC Wireway Cover |
| 23a | 47-0130-577 | | Price Holder CD14 30.00" Black | 46 | 47-0450-314 | | Connector, CD4154-60 Wire Lead |
| 23b | 47-0130-545 | | Price Holder CD14 30.00" Blue | | | | |

Decals / Lens:

| | |
|-------------|----------------------|
| 47-9127-XXX | Decal Door CD1456 |
| 47-9128-XXX | Decal Side CD1456 RH |
| 47-9129-XXX | Decal Side CD1456 LH |

Accessories:

| | | |
|-----------------------------|---------|-----------------------------------|
| 47-0011-140 | 1007046 | Shelf Gravity Assy CD14 600ml |
| 47-0060-177 | | Gasket Seal UL Ref CD 1/4 HP |
| 47-0130-544 | | Shelf Glide CD14 Gravity Blue |
| 47-0130-681 | | Trim, CD1456 Door Handle |
| 47-0130-682 | | Door Track Bottom CD1456 |
| 47-0520-077 | 81272 | Lock & Key Assy Sliding Door |
| 47-0520-214 | 57175 | Caster Kit - Uni-Directional |
| 47-0520-216 | 1001844 | Caster Kit - Swivel Type |
| 47-0520-245 | 1001883 | Kit, Casters Transfer - No Wheels |
| 47-0520-279 | | Kit, Electrics for EM2X3121U |