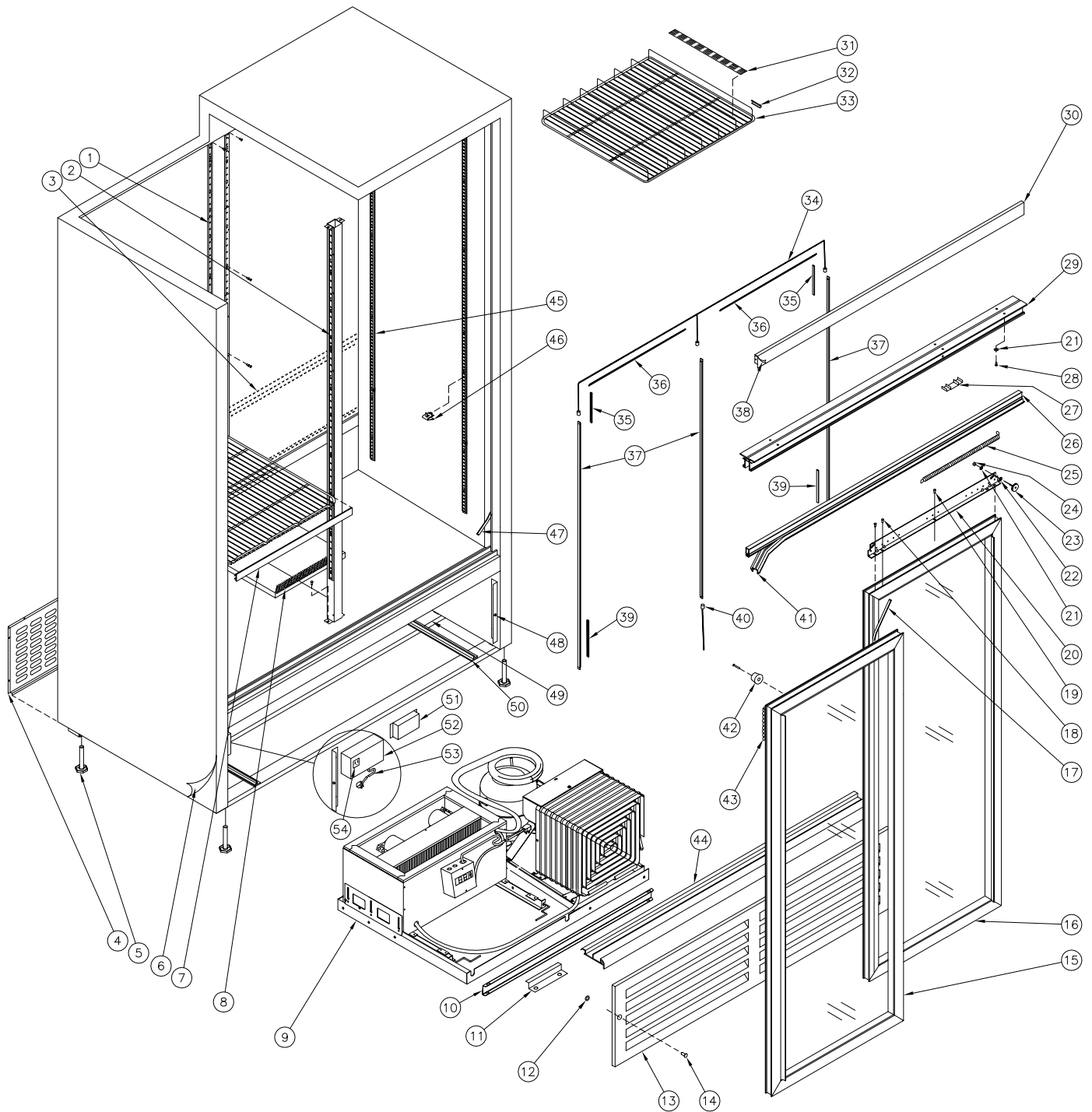


Exploded View : CD4154-HC





Cooling Systems Inc.

31 Bramstele Rd
Brampton, Ontario, Canada
L6W 3K6

Telephone: (905) 459-0709
Toll Free: (800) 663-3005
FAX: (905) 459-1478
info@qbd.com
www.qbd.com

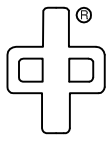
CD4154-HC Cooler

(84-7082-XXX) 120V, 60 Hz.

| Item No. | Part No. | Pepsi Part No. | Description | Item No. | Part No. | Pepsi Part No. | Description |
|----------|-----------------------------|----------------|--|----------|-----------------------------|----------------|-----------------------------------|
| 1 | 47-0034-370 | | Pilaster 33" Strip | 28 | 47-0264-308 | 83973 | SCW MA ¼ - 20 x ¾ PAN HD Quad |
| 2 | 47-0035-449 | | Post Center, CD4154-HC | 29 | 47-0031-570 | | Door Track 43" LG DC40/98' |
| 3 | 47-0034-365 | | Panel, CD4154 Back Discharge | 30 | 47-8591-039 | 1006317 | Cover, Wheel DC41 |
| 4 | 47-8896-039 | | Grill, CD4160 Back Cover | 31 | 47-0130-591 | | Shelf Glide CD4154/56/60 Blue |
| 5 | 47-0530-089 | 510204 | Level Leg ½ x 3 x 1½ AF | 32 | 47-0034-003 | | Clip, Shelf Stopper, CD14 |
| 6 | 47-8924-932 | | Decal CD4154 Side Pepsi | 33a | 47-0200-178 | 1020055 | Shelf Standard DC4154 |
| 7a | 47-0130-250 | 1000819 | Price Holder DC40/60 18¾ Black | 33b | 47-0011-226 | 1005043 | Shelf, CD4154/56/60 600ml Gravity |
| 7b | 47-0130-130 | | Price Holder DC40/60 18¾ AF Blue | 34 | 47-0450-314 | | Connector, CD4154-60 Wire Lead |
| 8 | 47-0035-106 | 1024441 | Duct, CD Small Air | 35 | 47-0130-795 | | Cap, CD4154-HC Top LED |
| 9 | 80-0011-388 | | Ref. Chassis ¼+ HP CD HC R290 S/S | 36 | 47-0130-793 | | Channel, CD4160 Wireway Cover |
| 10 | 47-0033-411 | 1020397 | Bracket, CD ¼ HP Lift Rod Lock | 37 | 47-0530-671 | 1027017 | LED, 35.5" L11-35.5 Series |
| 11 | 47-0034-226 | | Bracket, SL10/DC10 Comp. Tie Down | 38 | 47-8926-932 | 1008416 | Decal, CD4154 Header Pepsi |
| 12 | 47-0530-639 | | Nut, Push Fastner | 39 | 47-0130-790 | | Cap, CD10-HC Top/Bottom LED |
| 13 | 47-8895-039 | 1005785 | Grill CD4160 Front Black | 40 | 47-0450-285 | | Connector, 36" Wire Lead |
| 14 | 47-0254-007 | | SCW MA #10 - 32 x ¾ PH PAN | 41 | 47-7359-039 | 69706 | Seal Foam Door Horizontal |
| 15 | 47-7679-739 | 1022776 | Door Assy, LH CD4154 | 42 | 47-0120-075 | 1024709 | Bumper, Rubber Stopper |
| 16 | 47-7680-739 | | Door Assy, RH CD4154 | 43 | 47-0010-182 | | Chain Door Hook Up |
| 17 | 47-7361-039 | 69563 | Seal Foam Door Vertical | 44 | 47-0130-557 | | Door Track Bottom CD4154 |
| 18 | 47-0400-019 | | SCW TR 8 - 32 x ½ Slot Hex HD | 45 | 47-0033-989 | | Pilaster Strip 34¾" |
| 19 | 53-0301-021 | | SCW SM 8 x ½ 'AB' PH TR HD | 46 | 53-0377-032 | 510362 | Bracket (clip) Shelf Support |
| 20 | 47-0030-865 | | Bracket Door Mounting | 47 | 47-7379-139 | 1008528 | Gasket Foam Vertical Cabinet |
| 21 | 53-0267-006 | 83974 | Washer ¼ Split – Lock Zinc | 48 | 47-0033-779 | | Support Grill DC41 |
| 22 | 53-0138-013 | 1006114 | Washer ¼ " Int Ext 'A' | 49 | 47-0034-320 | | Beam, CD4160 Center Channel |
| 23 | 47-0530-088 | 69715 | Wheel Sliding Door 1" Dia ¼ 20 | 50 | 47-0034-322 | | Rail, CD4160 Compressor |
| 24 | 47-0360-036 | 1006115 | Nut ¼ - 20 Hex 2 Way Lock Zinc | 51 | 47-0440-087 | | Driver, LED 20W |
| 25 | 53-0149-076 | 1024322 | Spring Door DC40/49 | 52 | 47-0035-446 | | Box, Power CD4154-60 LED |
| 26 | 47-7393-239 | 1008150 | Seal Holder Door DC40 43/98 | 53 | 18-7218-001 | 1007217 | Cord, Power 14/3 SJTW-A 12' |
| 27 | 47-7386-039 | 67589 | Extrusion Track Filler .875 | 54 | 47-0440-007 | 1003097 | Outlet, 3 Wire |

Accessories:

| | | |
|-----------------------------|---------|-----------------------------------|
| 47-0060-177 | | Gasket Seal UL Ref CD ¼ HP HC |
| 47-0130-561 | | Trim, CD4154 Door Handle |
| 47-0520-077 | 81272 | Kit, Lock for Sliding Door |
| 47-0520-216 | 1001844 | Caster Kit – Swivel Type |
| 47-0520-245 | 1001883 | Kit, Casters Transfer - No Wheels |
| 47-0520-279 | | Kit, Electrics for EM2X3132U |



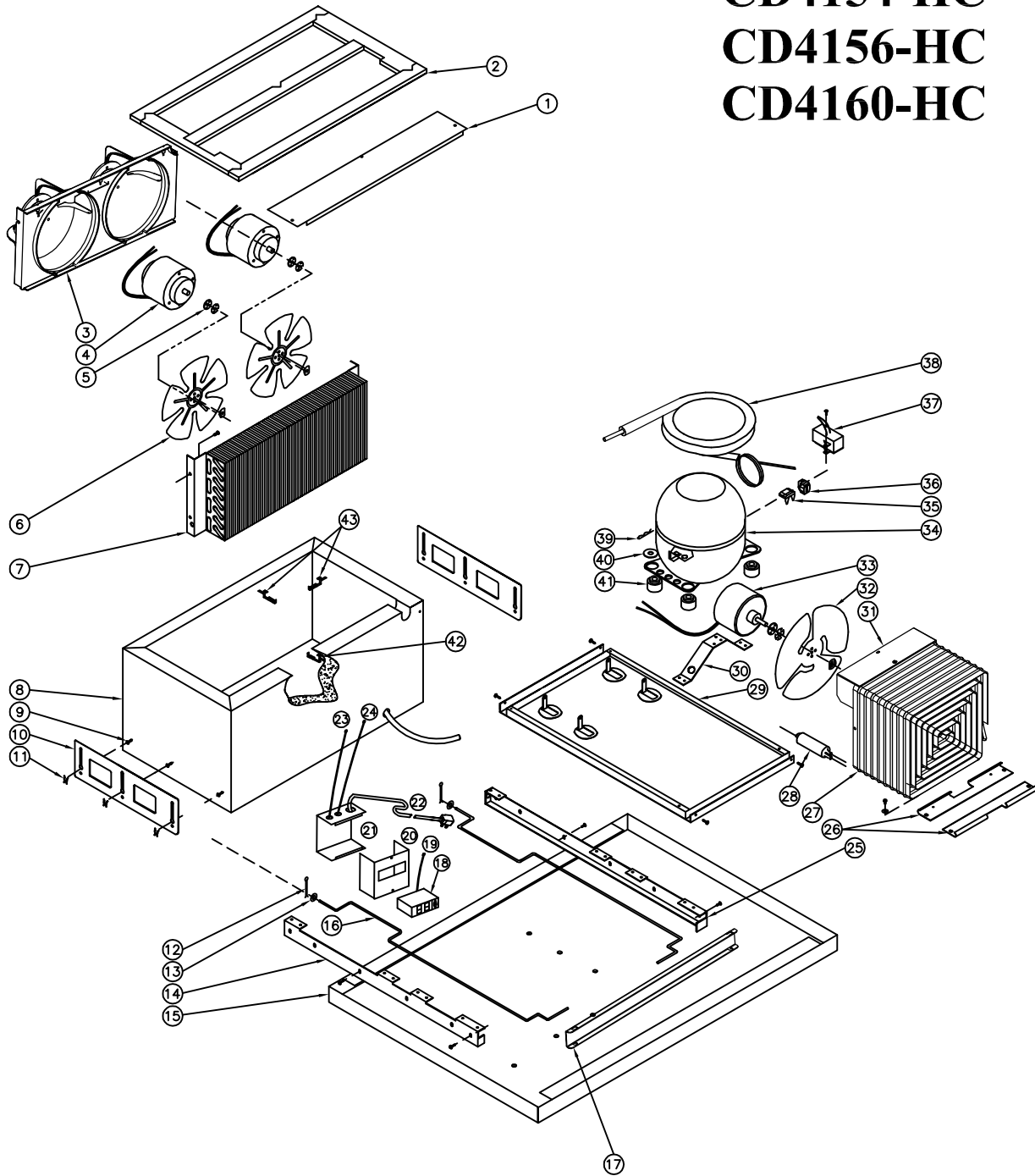
QBD® Cooling Systems Inc.

31 BRAMSTEELE ROAD
BRAMPTON, ONTARIO
L6W 3K6

TEL: (905) 459-0709
FAX: (905) 459-1478

REF. CHASSIS 1/4+HP SIDE/SIDE
WITH DUAL EVAPORATOR FAN
80-0011-388 120V, 60Hz

Used in Models: CD4154-HC CD4156-HC CD4160-HC





Cooling Systems Inc.

31 Bramstele Rd
Brampton, Ontario, Canada
L6W 3K6

Telephone: (905) 459-0709
Toll Free: (800) 663-3005
FAX: (905) 459-1478
info@qbd.com
www.qbd.com

Refrigeration Chassis 1/4+ HP

80-0011-388 HC R290 Side/Side

120V, 60 Hz.

| Item No. | Part No. | Pepsi Part No. | Description | Item No. | Part No. | Pepsi Part No. | Description |
|----------|-------------|----------------|----------------------------------|-------------|-------------|----------------|-------------------------------------|
| 1 | 47-0033-376 | | Baffle, CD 1/4 HP Evap. Air | 23 | 47-0450-262 | | Harness, CD Evaporator |
| 2 | 47-0060-177 | | Gasket Seal UL Ref CD 1/4 HP | 24 | 47-0450-267 | | Harness, 155 Chassis Compressor |
| 3 | 47-0120-168 | 1007550 | Shroud, 1/4 HP CD Evap. Plastic | 25 | 47-0034-297 | | Channel, RH Tie |
| 4a | 47-0410-068 | | Motor, 13W "ECR2" - Electric | 26 | 47-0033-994 | | Support, 1/4 HP Condenser |
| 4b | 47-0410-071 | | Motor Fan UNADA-FM | 27 | 47-0530-568 | | Cond. 1/4 HP, 1/4 OD Lint Forgiven |
| 5 | 53-0248-014 | | Washer Flat #10 218 x 500 x 0625 | 28 | 47-0011-317 | | Drier Assy, 1/4" Swagged |
| 6 | 47-0120-060 | 510208 | Fan Blade 6" DIA. | 29 | 47-0020-557 | | Welded, CD 1/4 HP Comp Platform |
| 7 | 47-0530-380 | 1004554 | Evap. Coil THD/CD | 30 | 47-0035-475 | | Bracket, HC 1/4 HP Cond Motor |
| 8 | 47-0011-233 | | Evap. Box Assy CD Side by Side | 31 | 47-0033-996 | | Shroud, Condenser |
| 9 | 47-0400-007 | 510282 | SCW Pilaster Strip "Custom" | 32 | 47-0530-541 | 57910 | Fan Blade OP OU7737-5 CW |
| 10 | 47-0034-302 | | Support, Tie Channel | 33a | 47-0410-068 | | Motor, 13W "ECR2" - Electric |
| 11 | 47-0530-544 | | Retainer, CD Crimp Ring 5/16" | 33b | 47-0410-071 | | Motor Fan UNADA-FM |
| 12 | 47-0530-533 | | Cotter Pin 3/32" Dia x 1" LG | 34 | 47-0530-688 | | Compressor, 1/4+ HP EM2X3121U |
| 13 | 18-6147-000 | | Washer 3/8 SAE Flat ZC WFS-37 | 35 | 47-0430-247 | | Overload, Embraco EM2X3121U |
| 14 | 47-0034-298 | | Channel, LH Tie | 36 | 47-0430-246 | | Relay, Embraco EM2X3121U |
| 15 | 47-0011-432 | | Assy, Comp Green Platform Base | 37 | 47-0430-248 | | Capacitor, Embraco EM2X3121U |
| 16 | 47-0035-424 | | Rod, Lift Side/Side Green | 38 | 47-0020-620 | | Suction Line R290 80-0011-388 |
| 17 | 47-0033-411 | 10220397 | Bracket, CD 1/4 HP Lift Rod Lock | 39 | 47-0370-001 | | Clip, Comp. Mounting #79555 |
| 18 | 47-0430-202 | | Control, CAREL | 40 | 18-6147-000 | | Washer 3/8 SAE Flat ZC WFS-37 |
| 19 | 47-0430-204 | | Probe, CAREL | 41 | 47-0530-664 | | Grommet Compressor Foot 2221004 |
| 20 | 47-0035-054 | | Cover, Control CD 155 Chassis | 42 | 47-0120-187 | | Clip, CD Probe |
| 21 | 47-0035-053 | | Box Control CD 155 Chassis | 43 | 47-0530-690 | | Clip Wire |
| 22 | 47-0450-129 | | Cord Power 3 Wire 48" LG | | | | |
| | | | | 47-0520-255 | 1020990 | | Kit, CAREL Cold Control |
| | | | | 47-0520-279 | | | Kit, Electrics for EM2X3121U 1/4 HP |