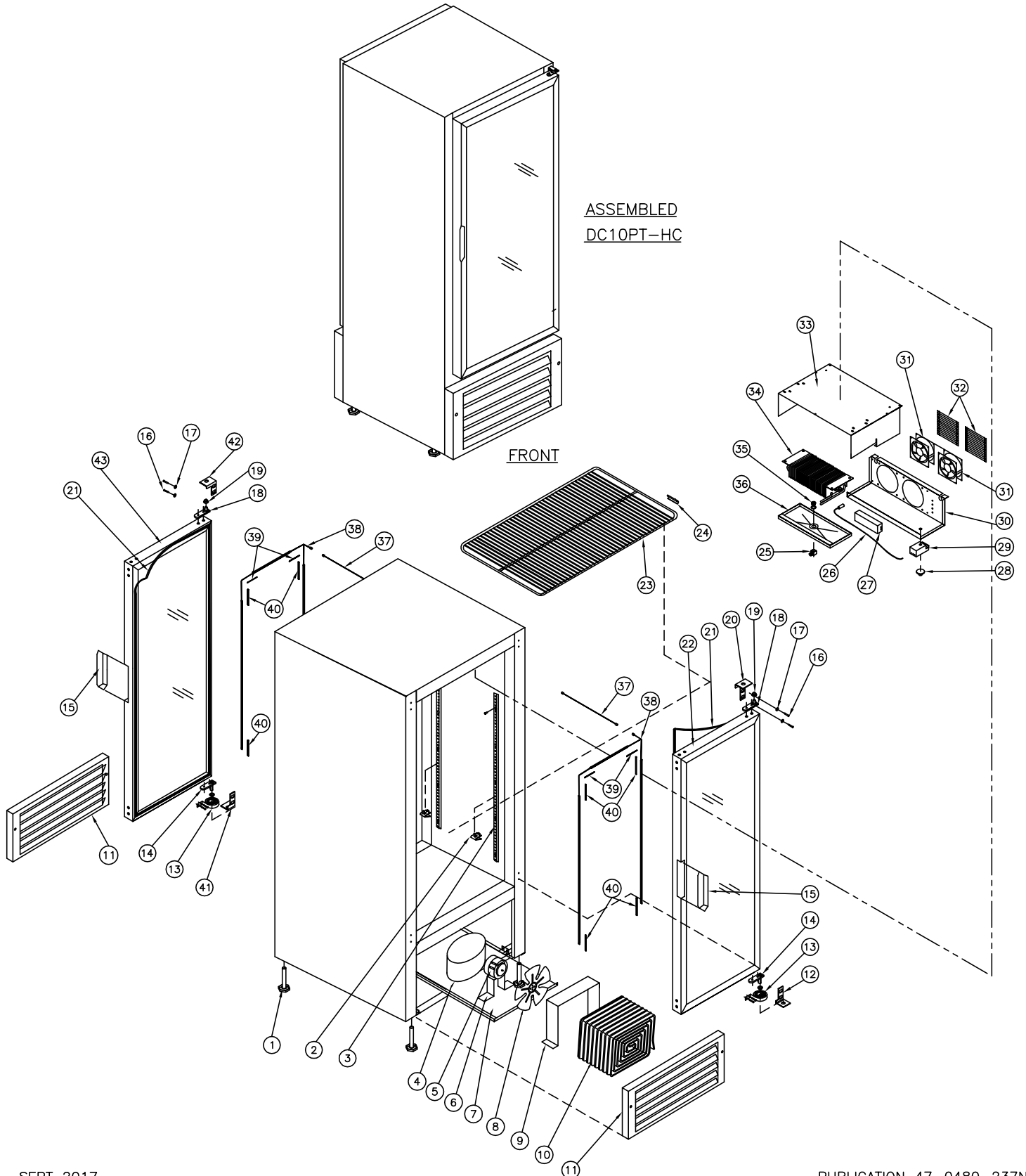


31 BRAMSTEELE ROAD
BRAMPTON, ONTARIO
L6W 3K6

QBD[®] Cooling Systems Inc.

TEL: (905) 459-0709 COOLER : DC10PT-HC
FAX: (905) 459-1478 84-6811-XXX 120V, 60Hz

Exploded View : DC10PT-HC





Cooling Systems Inc.

31 Bramstele Rd
Brampton, Ontario, Canada
L6W 3K6

Telephone: (905) 459-0709
Toll Free: (800) 663-3005
FAX: (905) 459-1478
info@qbd.com
www.qbd.com

DC10PT-HC Cooler

(84-6811-XXX) 120V, 60 Hz.

Item No.	Part No.	Pepsi Part No.	Description	Item No.	Part No.	Pepsi Part No.	Description
1	47-0530-089	510204	Level Leg ½ x 3 x 1.375 AF	23	47-0200-199	60089	Shelf, DC10PT Standard
2	53-0377-032	510362	Bracket (Clip) Shelf Support	24	47-0034-003		Clip CD12HB Shelf Stopper
3	47-0034-370		Pilaster Strip, 33"	25	31-4214-000	1003788	Drain Adapter
4	47-0530-691		Compressor, ½ HP EMI50UER Embraco	26	47-0430-207		Sensor NTC Temp
5	47-0410-071		Motor Fan UNADA-FM	27	47-0440-087	1029550	Driver, LED 20 Watt
6	47-0035-475		Bracket, HC ¼ HP Cond Fan	28	47-0430-208		Knob Hand Black
7	47-0033-399		Platform, CD ¼ HP Compressor	29	47-0430-206		Control ETC 1H1
8	47-0530-541	57910	Fan Blade OP OU7737-5 CW	30	47-0034-228		Cover, DC10PT Evap Shroud
9	47-0034-272		Shroud, Condenser SL10/DC10PT	31	47-0410-069		Motor Fan EC12038B00HL-01-A02
10	47-0530-692		Condenser Coil Lint Free ¼ HP	32	47-0120-160		Grill, Gray Removable Plastic Air
11	47-8878-039	1003540	Grill DC10PT Front Black	33	47-0034-230		Shroud, DC10PT Evaporator
12	47-0090-013	80977	Hinge RH BTM Door	34	47-0530-206	68266	Evaporator Coil DC12
13	53-0149-069	510108	Spring DC Hinged Door	35	31-4213-000	151668	Connector Drain ½ - 20
14	47-0090-082	1009577	Pin Pivot Bottom	36	47-0034-229		Drip Tray, DC10PT Evaporator
15	47-0120-166	1002413	Handle, Recess Dr Charcoal Gray	37	47-0450-284		Connector, 24" Wire Lead
16	47-0264-308	83973	SCW MA ¼ - 20 x ¾ PAN HD QUAD	38	47-0530-707		LED Daisy Chain 3' - 1' - 3'
17	53-0267-006	83974	Washer ¼ Split Lock Zinc	39	47-0130-740		Cap, CD10/12-HC Top LED
18	47-0090-081	1009576	Pin Pivot Top	40	47-0130-790		Cap, CD10-HC Top/Bottom LED
19	47-0080-011	1005559	Insert Bronze 5/8 OD x 1/4"	41	47-0090-015	1001724	Hinge, LH Bottom Door
20	47-0090-012	81559	Hinge RH Top Door	42	47-0090-014	1001725	Hinge, LH Top Door
21	47-0140-026	1006805	Gasket Door Mag. SL10 / DC10PT	43	47-7663-739	1021542	Door Assy DC10PT (Back)
22	47-7662-739	1021543	Door Assy DC10PT (Front)				

Decals / Lens:

47-8880-XXX	Decal Door DC10PT
47-8887-XXX	Decal Side DC10PT RH
47--XXX	Decal Side DC10PT LH

Accessories:

47-0034-128	61726	Key, Door T-Handle
47-0130-249	1008789	Price Holder DC40/60 18¾ Blue
47-0130-250	1000819	Price Holder DC40/60 18¾ Black
47-0430-249		Relay, EMI50UER Embraco
47-0430-250		Capacitor, EMI50UER Embraco
47-0430-251		Overload, EMI50UER Embraco
47-0520-214	57175	Caster Kit – Uni-Directional
47-0520-215	1001418	Kit, Lock Hasp Single Door
47-0520-216	1001844	Caster Kit – Swivel Type
47-0520-245	1001883	Kit, Casters Transfer - No Wheels
47-0530-669	1027015	LED, 11.5" L11 - 11.5 Series
47-0530-671	1027017	LED, 35.5" L11 - 35.5 Series