

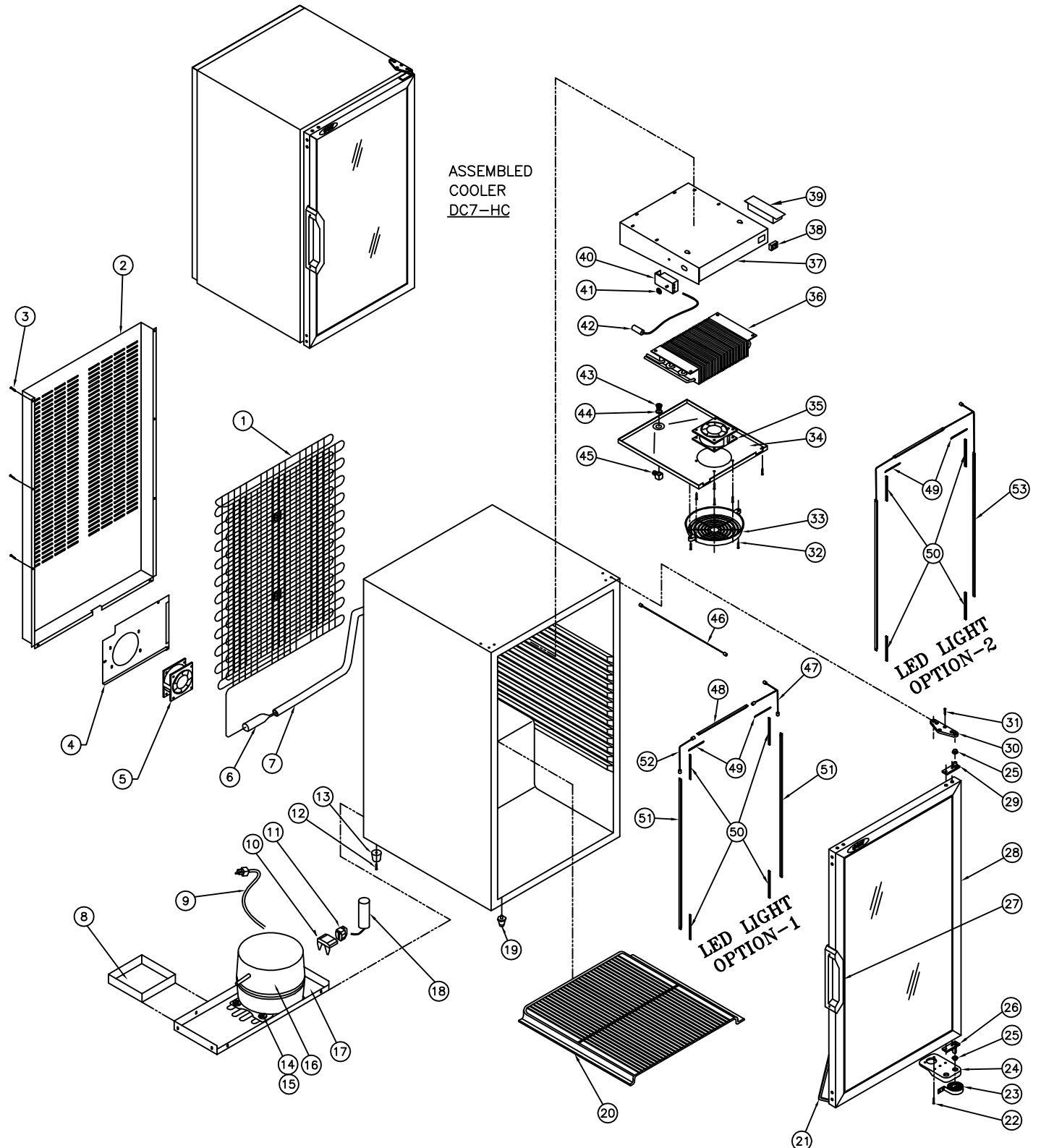
31 BRAMSTEELE ROAD
BRAMPTON, ONTARIO
L6W 3K6

QBD® Cooling Systems Inc.

TEL: (905) 459-0709
FAX: (905) 459-1478

COOLER : DC7-HC
84-9539-XXX 120V, 60Hz

Exploded View : DC7-HC





Cooling Systems Inc.

31 Bramsteede Rd
Brampton, Ontario, Canada
L6W 3K6

Telephone: (905) 459-0709
Toll Free: (800) 663-3005
FAX: (905) 459-1478
info@qbd.com
www.qbd.com

DC7-HC Cooler

DC7-HC (84-9539-XXX) 120V, 60 Hz.

Item No.	Part No.	Pepsi Part No.	Description	Item No.	Part No.	Pepsi Part No.	Description
1	47-0530-702		Condenser Coil Static Common	28	47-7618-739	1000690	Door DC-7
2	47-8469-039	84117	Cover, DC-7 Back Black	29	47-0090-081	1009576	Pivot Pin Top - Steel
3	53-0301-021		SCW SM #8 x 1/2 'AB' PH TR HD	30	47-0530-187	58186	Hinge, DC-7 Top Bracket
4	47-0033-269		Plate DC-7 Cond Fan	31	47-0400-024	510518	SCW ST 8 - 32 x 1/2 PH FT HD BLK
5	47-0410-069		Motor Fan EC12038B00HL-01-A02	32	47-0400-021		SCW SM #10 x 3/4 'B' Hex HD
6	47-0011-316		Drier Assy, 1/4" Straight	33	47-0120-061	510188	Guard Fan Evap. Black
7	47-0020-625		Suction Line, DC7-HC	34	47-0033-275	80281	Tray, DC-7 Shroud Drip
8	47-0033-305	1022174	Drip Tray, DC-6/7 Cond.	35	47-0410-069		Motor Fan EC12038B00HL-01-A02
9	47-0180-002	1009845	Power Cord	36	47-0530-464		Evap Coil DC7 New
10	47-0430-251		Overload EMI50UER Embraco	37	47-0011-505	83001	Shroud Assy. DC7-HC
11	47-0430-249		Relay EMI50UER Embraco	38	47-0430-252		Switch Rocker 10A
12	53-0303-130		SCW MA 1/4 -20 x 1 1/2 PH PAN HD	39	47-0440-088		Driver, LED 10W IP-66
13	47-0530-196	510456	Leg, DC-7 (1" Non-Adjustable)	40	47-0430-206		Control, ETC 1H1
14	47-0530-664		Grommet (Comp. Foot)	41	47-0430-208		Knob Hand Black
15	47-0370-001		Clip, Compressor	42	47-0430-207		Sensor, NTC Temp
16	47-0530-691		Compressor, 1/6 HP EMI50UER Embraco	43	31-4213-000	151668	Connector Drain 1/2 - 20
17	47-0033-274		Base, DC-7 Refrigeration	44	47-0460-005	69695	Washer Drain
18	47-0430-250		Capacitor EMI50UER Embraco	45	31-4214-000	1003788	Drain Adapter
19	47-0530-203	510458	Leg, DC-7 (1" Adjustable)	46	47-0297-001		SCW #6 X 1 1/4 'A' PH FT
20	47-0200-154	510438	Shelf, DC-7	47	47-0450-320		Harness, DC6/7-HC LED Switch
21	47-0140-007	510434	Gasket, DC-7 Door Magnetic	48	47-0450-319		Connector, DC6-HC Wire Lead
22	47-0400-024	510518	SCW ST 8 - 32 x 1/2 PH FT HD BLK	49	47-0530-669	1027015	LED, 11.5" L11 - 11.5 Series
23	53-0149-069	510108	Spring, DC-5/7/12/22 Door	50	47-0130-839		Cap, CD47-HC Top LED
24	47-0530-188	510498	Hinge, DC-7 Bottom Bracket	51	47-0130-740		Cap, CD10/12-HC Top LED
25	47-0080-006	510044	Insert, Bronze	52	47-0530-670	1027015	LED, 23.5" L11 - 23.5 Series
26	47-0090-082	1009577	Pivot Pin Bottom - Steel	53	47-0450-287		Connector, 4" Butt
27	47-0120-166	1002413	Handle Recess Dr Charcoal Gray	54	47-0530706		LED Daisy Chain 2' - 1' - 2'

Decals / Lens:

47-7957-XXX	Decal Door DC7/HG
47-7956-XXX	Decal Side DC7 RH
47-8816-XXX	Decal Side DC7 LH

Accessories:

47-0034-128	61726	Key, Door T-Handle
47-0520-185	1000383	Door Lock, DC6/7/10/12
47-7866-039	510488	Stand, DC7 Black