

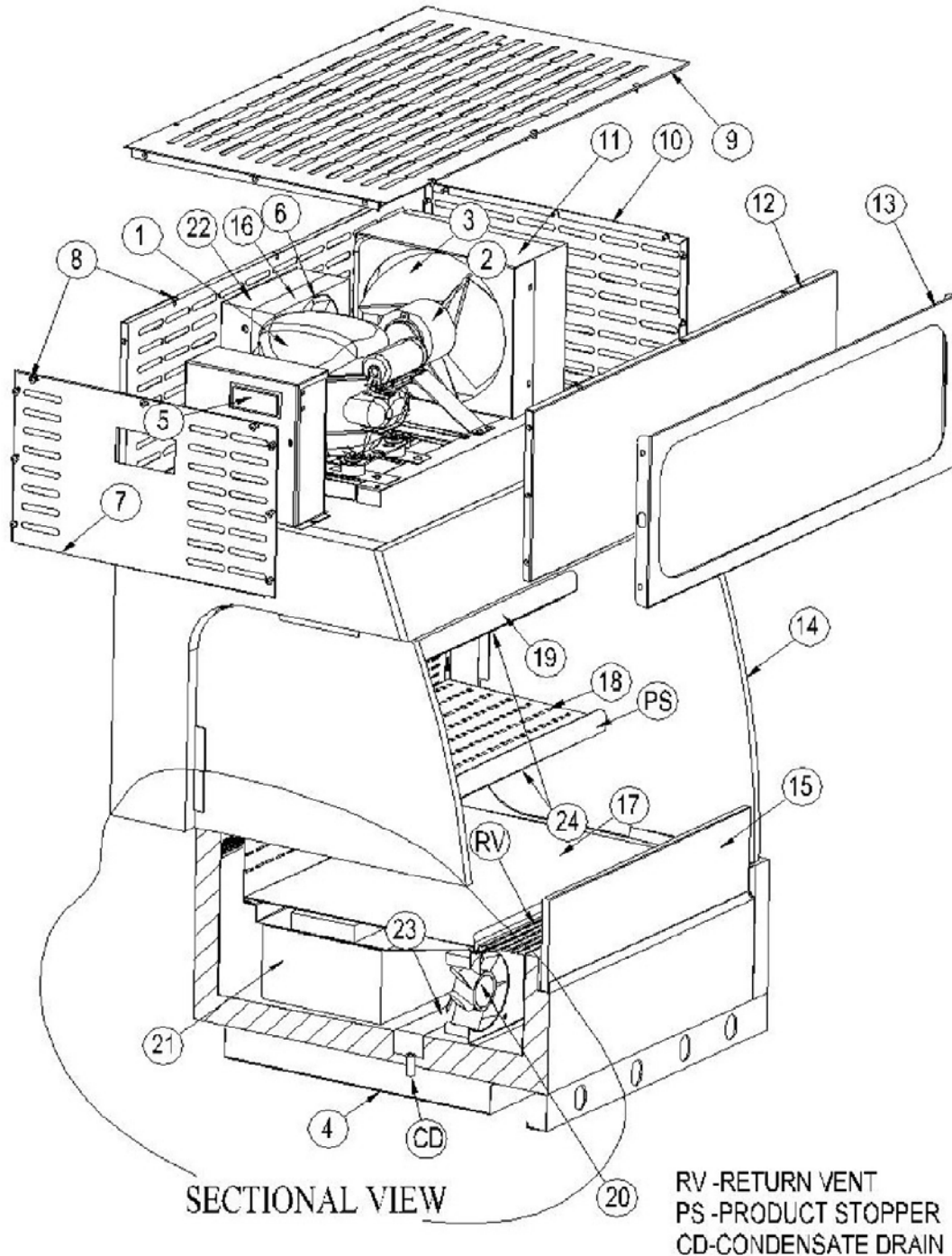


QBD® MODULAR SYSTEMS INC.

31 Bramstele Road, Brampton, Ontario, Canada L6W 3K6
TEL: (905) 459-0709 FAX: (905) 459-1478
WWW.QBD.COM

EXPLODED VIEW

MINI-ME 24/30/36 TRBT





QBD[®] MODULAR SYSTEMS INC.

31 Bramsteele Road, Brampton, Ontario, Canada L6W 3K6
TEL: (905) 459-0709 FAX: (905) 459-1478
WWW.QBD.COM

SERVICE PARTS LIST

MINI-ME 24/30/36 TRBT

Items	Part No.	Description	Qty/Unit
1	47-0530-126	Comp,	1
2	47-0410-052	Fan Motor, Condenser	1
3	33-2420-001	Blade Fan	1
4	74-0030-961	Condensate, Drip Tray	1
5	47-0430-146	Electronic Control	1
6	47-0410-037	Muffin Fan, High Speed	1
7	74-0030-801	Cover, LH	1
8	47-0303-405	Screws	48
9	74-0030-802	Panel, Top	1
10	74-0030-811	Panel, RH	1
11	47-0031-269	Condenser Fan Shroud	1
12	74-0030-800	Panel, Front	1
13	74-0030-804	Sign Holder	1
14	74-7400-016	Side Glass	2
15	74-7400-017	Front Glass	1
16	74-0030-965	Shroud, Hot Gas Fan	1
17	47-0033-997	Panel, Bottom Cover	1
18	47-0033-967	Shelf 10",	1
19	47-0033-966	Shelf 8"	1
20	47-0410-039	Muffin Fan, Slow Speed	2
21	74-0530-041	Evaporator Coil	1
22	74-0030-957	Duct, Hot Gas	1
23	74-0030-815	Evaporator Drain Cover	1
24	47-0530-460	Light	3