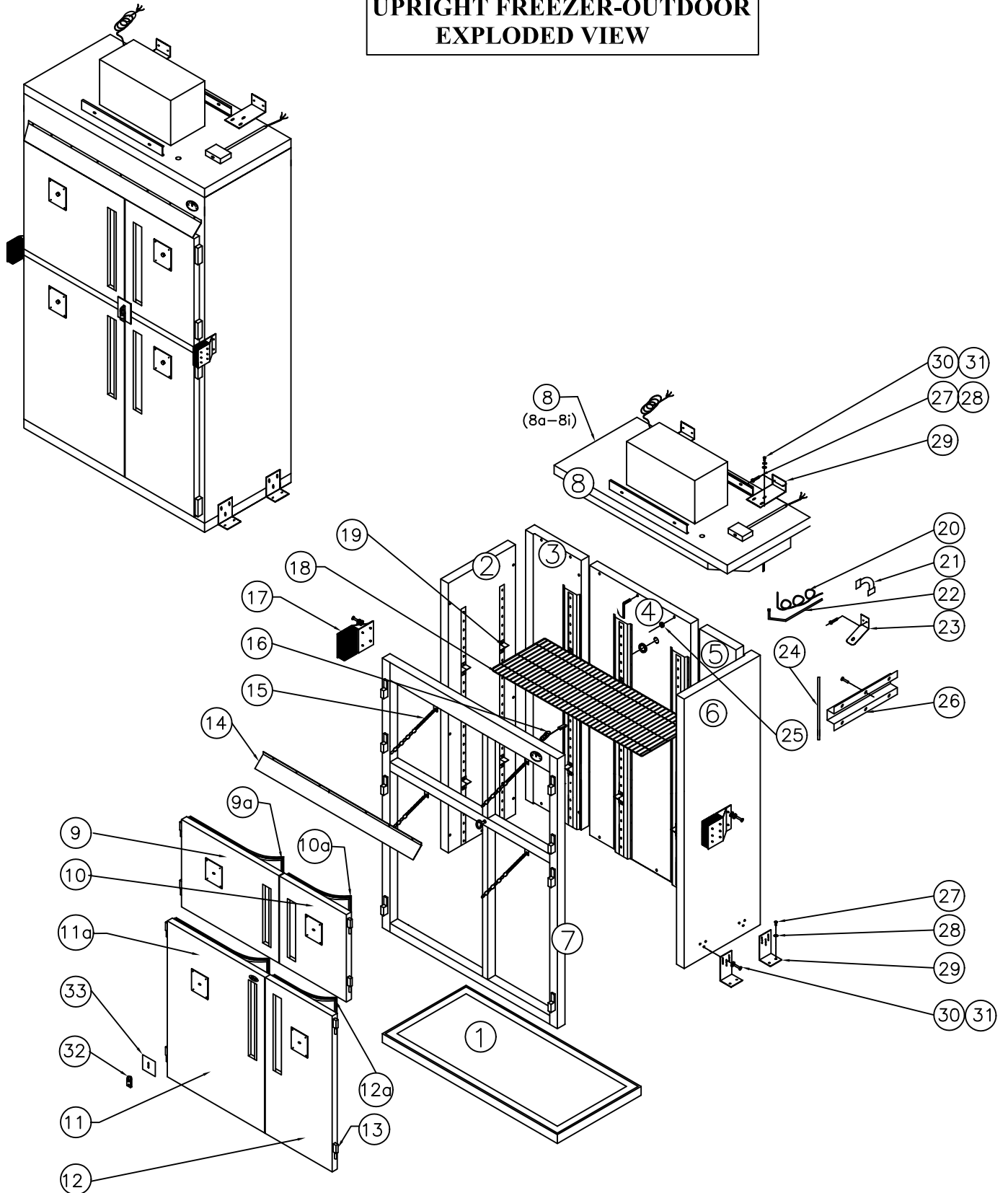




**UPRIGHT FREEZER-OUTDOOR
EXPLODED VIEW**





QBD[®] MODULAR SYSTEMS INC.

31 Bramsteele Road, Brampton, Ontario, Canada L6W 3K6

TEL: (905) 459-0709 FAX: (905) 459-1478

WWW.QBD.COM

MODEL: UPRIGHT FREEZER
OUTDOOR

UPRIGHT FREEZER-OUTDOOR REPLACEMENT PART LIST

SR.NO.	QBD PART NO.	DESCRIPTION
1	83-0010-001	PANEL 1,FLOOR
2	83-0010-002	PANEL 2,LEFT SIDE(APPROX-28.5")
3	83-0010-003	PANEL 3,REAR LEFT (APPROX23")
4	83-0010-004	PANEL 4,REAR MID (APPROX-34.5")
5	83-0010-005	PANEL 5,REAR RIGHT (APPROX-8")
6	83-0010-006	PANEL 6,RIGHT SIDE (APPROX-31.5")
7	83-0010-007	PANEL 7,FRONT PANEL
8	83-0010-013	REFRIGERATION ASSEMBLY WITH TOP CEILING PANEL
8a	83-0010-012	TOP CEILING PANEL
8b	83-0420-001	DRIER
8c	83-0420-002	SOLENOID VALVE
8d	83-0420-003	SOLENOID VALVE COIL
8e	83-0420-004	SIGHT GLASS
8f	83-0410-004	EVAPORATING UNIT (ESE552-2-240/1/60)
8g	83-0420-005	TX VALVE
8h	83-0440-002	ELECTRONIC CONTROL TLY25
8i	83-0410-002	CONDENSING UNIT (MOHO14L62C-230/1/60)
9	83-0010-008	DOOR,TOP LEFT
9a	83-0140-225/224	DOOR GASKET,TOP LEFT
10	83-0010-009	DOOR,TOP RIGHT
10a	83-0140-226/224	DOOR GASKET,TOP RIGHT
11	83-0010-010	DOOR,BOTTOM LEFT
11a	83-0140-227/224	DOOR GASKET,BOTTOM LEFT
12	83-0010-011	DOOR,BOTTOM RIGHT
12a	83-0140-228/224	DOOR GASKET,BOTTOM RIGHT
13	47-0530-231	DOOR HINGE ASSEMBLY(Door side & Cabinet side)
14	83-9775-033	RAIN FLASHING
15	83-0530-022	STORM DOOR CHAIN
16	83-0530-020	THERMOMETER
17	83-0010-016	DOOR STOPPER ASSEMBLY
18	83-0200-001	SHELF
19	83-0377-032	SHELF CLIPS
20	83-0533-023	DRAIN LINE HEATER
21	83-0100-007	UNION ELBOW,PLASTIC, LEAK TIGHT
22	83-0100-009	EVAP. DRAIN LINE INSIDE
23	83-9830-033	EVAP DRAIN HOLDER BRACKET
24	83-0100-002	EVAP DRAIN REAR SIDE (1/2"COPPER)
25	83-0120-002	PLASTIC CAPS(WHITE)
26	83-9831-033	COVER BRACKET
27	83-0540-001	ANCHOR BOLTS(FLOOR),0.375"x3.75"L
28	18-6147-000	3/8" FLAT WASHER
29	83-9738-033	ANCHOR BRACKETS
30	83-0540-002	ANCHOR BOLTS(CABINET),0.25"x1.0"L,PAN HEAD
31	18-6147-002	1/4" FLAT WASHER
32	83-0530-021	DOOR LOCK
33	83-9768-033	LOCK PLATE

NOTE:

TO ORDER THE PARTS PLEASE NOTE DOWN THE MODEL NO. AND SERIAL NO. OF THE UNIT.

:MODEL NO.:

:SERIAL NO.: