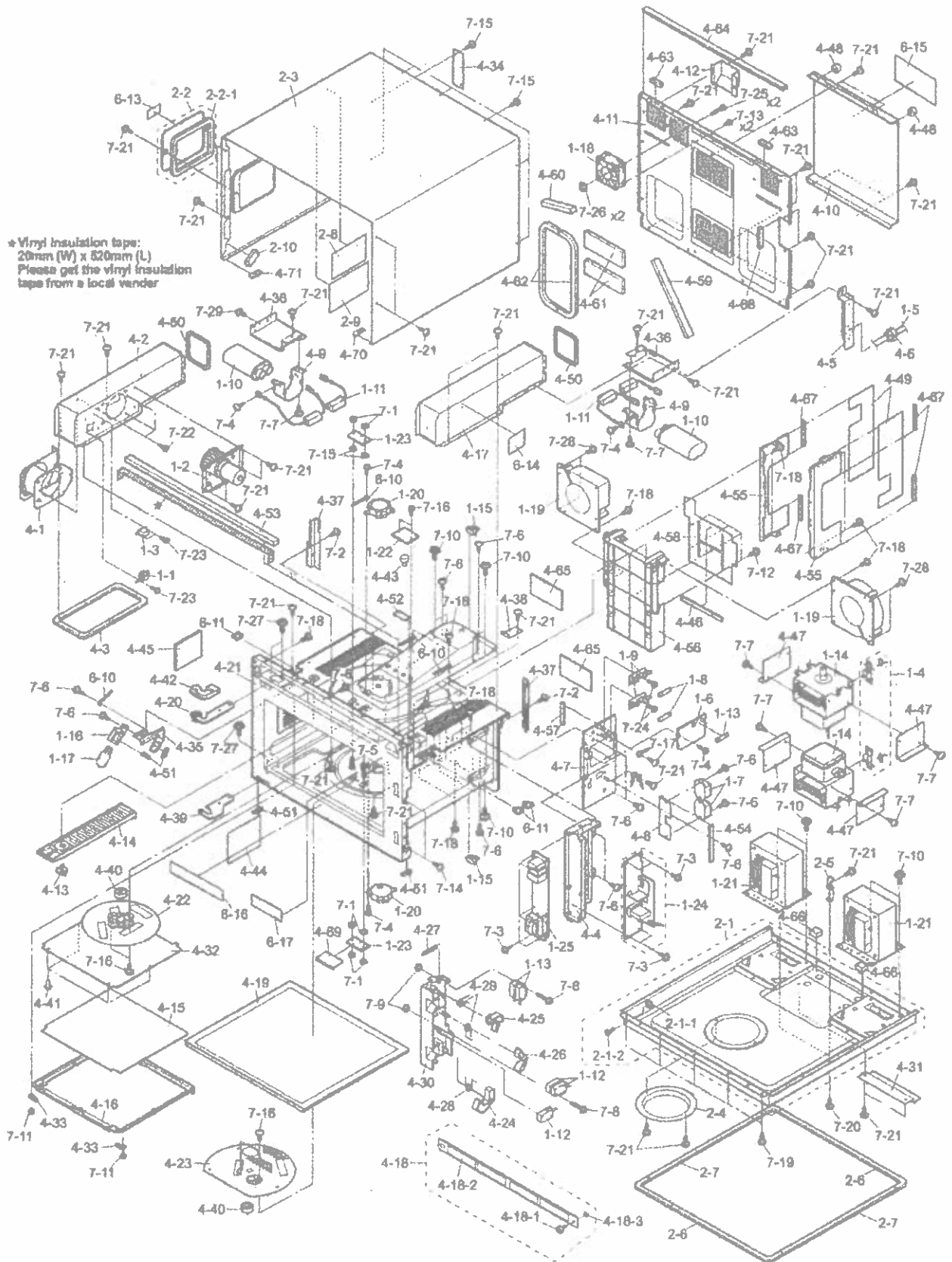


RCD2200M

[1] OVEN PARTS

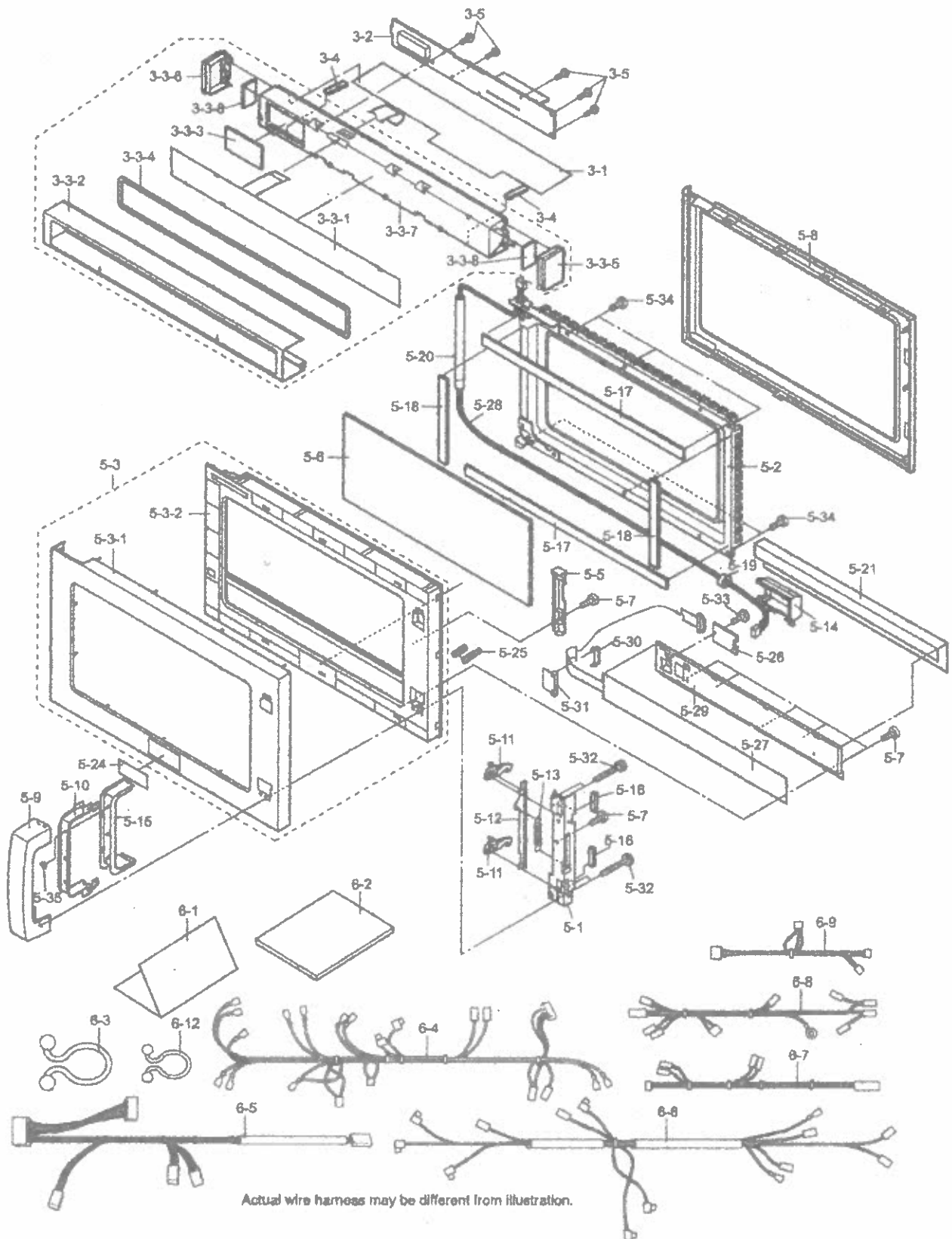
★Vinyl insulation tape:
20mm (W) x 520mm (L)
Please get the vinyl insulation
tape from a local vendor



NO.	PARTS CODE	PRICE RANK	NEW MARK	PART RANK	DESCRIPTION
[1] OVEN PARTS					
ELECTRIC PARTS					
1-1	FDTCA230WRKZ	AV			Sensor assembly (Exhaust thermostat)
1-2	FMOT-A031WRKZ	BP			Exhaust motor assembly
1-3	QFS-TA015WRE0	AG			Temperature fuse 120C (Oven)
1-4	DH-HZA017WRKZ	AY			Magnetron thermostat assembly
1-5	FACDDA120WREZ	BG			Power supply cord [RCD2200M]
1-5	FACDDA121WREZ	BG			Power supply cord [RCD1800M]
1-6	FPWBFA343WRKZ	AN			Noise filter
1-7	RRLV-A048WRKZ	AW			Relay
1-8	QFS-BA011WRE0	AE			UL fuse 12A
1-9	QF8NDA000WRE0	AG			Fuse holder
1-10	RC-OZA336WRZZ	AS			High voltage capacitor [RCD2200M]
1-10	RC-OZA347WRZZ	AS			High voltage capacitor [RCD1800M]
1-11	FH-DZA146WRZZ	AP			High voltage rectifier assembly
1-12	QSW-MA0665WRE0	AF			Secondary interlock/Door sensing switches
1-13	FFS-BA0339WRKZ	--			Monitor switch (V-5220C) and fuse (20A) assembly
1-14	RV-MZA367WRZZ	BG			Magnetron
1-15	QFS-TA014WRE0	AG			Temperature fuse 150C (Magnetron)
1-16	QSOC1A026WRZZ	AF			Oven lamp socket
1-17	RLMP1A105WRZZ	AU			Oven lamp
1-18	HMOT-A018WRZZ	AP			Fan motor (DC) (Exhaust fan)
1-19	HMOT-A020WRZZ	BE			Fan motor
1-20	HMOTDA238WRZZ	AS			Stirrer motor (Antenna motor)
1-21	RTAN-A750WRZZ	BU			Power transformer
1-22	DPWB-A670DHKZ	BA			Microwave sensor unit
1-23	DPWB-A571DHKZ	BA			Antenna sensor unit
1-24	DPWB-A568DHKZ	BF			Power unit (Switching power supply unit)
1-25	DPWB-A568DHKZ	BH			Relay unit
CABINET PARTS					
2-1	DDA1-A214WRKZ	BM			Bottom plate assembly
2-1-1	XNEB740-32000	AC			Nut, 4mm x 3.2mm
2-1-2	LX-BZA178WREZ	AL			Special screw
2-2	FFTASA078WHYZ	AM			Oven lamp access cover
2-2-1	PCUSUA651WRPZ	AD			Cushion
2-3	GCABUB125WRPZ	BN			Outer case cabinet
2-4	GCOVHA528WRPZ	AH			Motor protect cover
2-5	LANGKB285WRPZ	AG			Cavity fixing plate
2-6	PSHEGA011WREZ	AM			Rubber sheet L
2-7	PSHEPB270WREZ	AH			Rubber sheet S
2-8	TMAPCA782WHRZ	AF			Schematic diagram
2-9	PPPF-A200WREZ	AL			Damper sheet
2-10	PCUSGA758WRPZ	AD			Cabinet cushion
OVEN PARTS					
4-1	FCAS-A028WHYZ	AH			Fan case assembly
4-2	DDUC-A071WRKZ	AV			Exhaust duct assembly
4-3	PCUSGA721WRPZ	AG			Cushion
4-4	LHLD-A314WRPZ	AN			PWB holder
4-5	LANGQA694WRWZ	AM			AC cord angle
4-6	LBSHC0008YBE0	AD			Cord bushing
4-7	LANGQA690WRPZ	AK			Noise filter angle
4-8	LANGQA707WRPZ	AF			Relay fixing angle
4-9	LBNKA189WRPZ	AK			HV capacitor band
4-10	GCOVAA500WRWZ	AS			MG exhaust cover
4-11	GCOVAA388WHYZ	AW			Rear cover
4-12	PGIDHAB66WRPZ	AF			Exhaust cover
4-13	JKNBKA801WRPZ	AB			Splash cover knob
4-14	PCOVPA479WRPZ	BB			Splash cover
4-15	GCOVPA028WRPZ	BF			Cover
4-16	PCOVPA618WRPZ	AV			Frame
4-17	DDUC-A072WRKZ	AV			Intake duct assembly
4-18	FFIL-A014WRKZ	BA			air filter unit
4-18-1	LX-BZA178WREZ	AM			Filter stopper R
4-18-2	PFIL-A040WRPZ	AW			Air filter
4-18-3	XREUW40-00000	AA			Ring
4-19	FGL8PA060WHYZ	BT			Oven tray assembly
4-20	FHNG-A370WHYZ	AT			Upper hinge assy
4-21	*****	**			Oven cavity assembly (Not a replaceable part)
4-22	FPLY-A026WHYZ	AZ			Upper antenna assembly
4-23	FPLY-A028WHYZ	BA			Lower antenna assembly
4-24	MLEVCA001WRPZ	AG			Switch lever C
4-25	MLEVPA279WRPZ	AG			Switch lever A
4-26	MLEVPA280WRPZ	AG			Switch lever B
4-27	MSPRCA188WHEZ	AC			Latch spring A
4-28	MSPRCA180WHEZ	AC			Latch spring B
4-30	PHOK-A164WRPZ	AM			Latch hook
4-31	GCOVHA527WRPZ	AG			Bottom cover
4-32	GCOVPA020WRPZ	AV			Antenna cover
4-33	JKNBKA600WRPZ	AM			Antenna cover knob
4-34	LANGKB292WRPZ	AM			Support angle
4-35	LANGQA871WRPZ	AM			Lamp holder angle
4-36	LANGQA888WRPZ	AF			Capacitor unit angle
4-37	LANGQA702WRPZ	AM			Motor fixing angle
4-38	LBUB-A137WRPZ	AE			Face support angle

NO.	PARTS CODE	PRICE RANK	NEW MARK	PART RANK	DESCRIPTION
[1] OVEN PARTS					
4-39	MHNG-A692WRPZ	AP			Lower hinge
4-40	NSFTPA046WRFZ	AN			Antenna shaft
4-41	PCLIC0016WRE0	AB			Clip I
4-42	PCOVPA480WRFZ	AG			Hinge cover
4-43	PCOVPA486WRFZ	AK			Sensor cover
4-44	PFILWA064WRFZ	AF			Lamp filter
4-45	PGLSPA720WREZ	AH			Lamp glass
4-46	PCUSGA761WRPZ	AE			Cushion
4-47	PSKR-A482WRPZ	AF			Partition angle B
4-48	GLEGPA053WRE0	AA			Leg
4-49	GCOVPA022WRPZ	AG			Partition cover
4-50	PCUSGA746WRPZ	AD			Cushion B
4-51	PCUSGA750WRPZ	AC			Lamp cushion
4-52	PCUSGA751WRPZ	AC			Cav top cushion
4-53	PCUSGA752WRPZ	AD			Cav face cushion
4-54	PCUSGA755WRPZ	AF			Relay cushion
4-55	PSKR-A484WRPZ	AK			Partition angle L
4-56	PDOC-B066WRFZ	AN			Mag cool duct A
4-57	PCUSGA757WRPZ	AF			Filter cushion
4-58	PDOC-B048WRFZ	AK			Mag cool duct B
4-59	PCUSGA742WRPZ	AF			Rear cushion A
4-60	PCUSGA743WRPZ	AF			Rear cushion B
4-61	PCUSGA744WRPZ	AF			Rear cushion C
4-62	PCUSGA746WRPZ	AG			Rear cushion D
4-63	PCUSGA747WRPZ	AD			Rear cushion E
4-64	PCUSGA748WRPZ	AF			Rear cushion F
4-65	PCUSGA758WRPZ	AN			Cav back sheet
4-66	PCUSGA786WRPZ	AC			Cushion
4-67	PCUSGA788WRPZ	AC			Cushion
4-68	PCUSGA767WRPZ	AC			Cushion
4-69	PSHEP8329WREZ	AF			Insertion barrier
4-70	PCOVPA523WRFZ				Edge cap R
4-71	PCOVPA522WRFZ				Edge cap L
MISCELLANEOUS					
6-10	LBNDKA168WREZ	AD			Wire holder
6-11	LHLDWA083WREZ	AF			Wire holder
6-13	TCAUAA303WRRZ	AG			caution label
6-14	TCAUAA312WRRZ	AF			monitor caution
6-15	TCAUAA313WRRZ	AG			hwo caution
6-16	TCAUAA314WRRZ	AF			caution label
6-17	TCAUAA316WRRZ	AG			user caution label
SCREWS, NUTS AND WASHERS					
7-1	LX-NZ0881WRE0	AA			Nut : 4mm x 3.2mm
7-2	XHPS740P08000	AB			Screw : 4mm x 8mm
7-3	XEPS730P08X50	AB			Screw : 3mm x 8mm
7-4	XHPS740P08K00	AB			Screw : 4mm x 8mm
7-5	XBTUW40P12000	AB			Screw : 4mm x 12mm
7-6	XOTS740P08000	AA			Screw : 4mm x 8mm
7-7	XHTS740P08000	AC			Screw : 4mm x 8mm
7-8	XBPS730P28K50	AB			Screw : 3mm x 28mm
7-9	XNES730-24000	AE			nut : 3mm x 2.4mm
7-10	LX-BZA184WREZ	AC			HEX cup-screw
7-11	LX-BZA181WREZ	AH			Special screw
7-12	XETS740P08000	AA			Screw : 4mm x 8mm
7-13	XHPS730P08000	AB			Screw : 3mm x 8mm
7-14	LX-CZ0062WRE0	AA			Special screw
7-15	XNGUW40-24000	AE			Nut : 4mm x 2.4mm
7-16	LX-BZA132WREZ	AB			Special screw
7-17	LX-BZA138WREZ	AB			Special screw
7-18	XETS740P10000	AA			Screw : 4mm x 10mm
7-19	LX-CZA085WREZ	AB			Special screw
7-20	XHTWW40P08000	AC			Screw : 4mm x 8mm
7-21	XOTWW40P08000	AB			Screw : 4mm x 8mm
7-22	XFPWW30P08000	AD			Screw : 3mm x 8mm
7-23	XCBWW30P08000	AB			Screw : 3mm x 8mm
7-24	XCP740P08000	AB			Screw : 4mm x 8mm
7-25	XBPS740P85000	AD			Screw : 4mm x 35mm
7-26	XNES740-32000	AC			Nut : 4mm x 3.2mm
7-27	LX-BZA160WREZ	AC			Special screw
7-28	XOTWW40P10000	AA			Screw : 4mm x 10mm
7-29	XCHWW40P08000	AB			Screw : 4mm x 8mm

[2] DOOR AND CONTROL PANEL PARTS



NO.	PARTS CODE	PRICE RANK	NEW MARK	PART RANK	DESCRIPTION
[2] DOOR AND CONTROL PANEL PARTS					
CONTROL PANEL PARTS					
3-1	PSHEPB332WREZ	AN			CPU protect sheet
3-2	DPWB-A567DRKZ	BO			Control unit (RCD2200M)
3-2	DPWB-A574DRKZ	BO			Control unit (RCD1800M)
3-3-1	FUNTKB170WREZ	AU			Key unit
3-3-2	GCOVAA350WRPZ	AR			CP case
3-3-3	GMA1A180WRFZ	AL			Display window
3-3-4	GWAKPB142WRFZ	AK			Panel grille
3-3-5	HDECOA372WRMZ	AL			Panel cap R
3-3-6	HDECOA373WRMZ	AL			Panel cap L
3-3-7	LARGQA878WRWZ	AP			Panel fixing plate
3-3-8	PCUSGA753WRPZ	AF			CP cushion A
3-4	PCUSGA754WRPZ	AC			CP cushion B
3-5	XCP8730P08XS0	AC			Screw : 3mm x 8mm
DOOR PARTS					
5-1	FANGKA225WRYZ	AN			Latch angle assembly
5-2	FDORFA438WRYZ	BB			Door panel sub assembly
5-3	FCOV-A018WRKZ	BE			Door case assembly
5-3-1	GCOVAA302WRYZ	BA			Door case
5-3-2	GWAK-A012WRFZ	AX			Door frame
5-5	LSTPPA261WRFZ	AG			Glass stopper
5-6	PGLSPA727WREZ	AS			Front door glass
5-7	XEP8740P08000	AB			Screw : 4mm x 8mm
5-8	GCOVHA825WRFZ	AS			Choke cover
5-9	JHNDMA056WRMZ	BD			Door handle
5-10	JHNDMA062WRPZ	AK			Handle lever
5-11	LSTPPA260WRFZ	AG			Latch head
5-12	MLEVFA091WRWZ	AG			Latch lever
5-13	MSPRTA100WRE0	AD			Latch spring
5-14	PCOVPA478WRFZ	AG			Board cover
5-15	PCOVPA477WRFZ	AM			Handle cover
5-16	PCUSGA730WRPZ	AG			Latch sg cushion
5-17	PCUSGA738WRPZ	AE			Door cushion L
5-18	PCUSGA737WRPZ	AF			Door cushion S
5-19	PCUSGA738WRPZ	AC			Harness cushion
5-20	PP1PPAD17WRFZ	AF			Pipe
5-21	PSHEPB326WHEZ	AK			Key protect cover
5-24	HBDGCA127WRRZ	AF			Door badge (RCD2200M)
5-24	HBDGCA128WRRZ	AF			Door badge (RCD1800M)
5-25	MSPRCA174WREZ	AF			Earth spring
5-26	DPWB-A567DRKZ	BA			Switch unit
5-27	FUNTKB180WREZ	AS			Key unit
5-28	FW-VZC158WREZ	AS			Harness (Door key harness)
5-29	LANGTA440WRPZ	AN			Key fixing plate
5-30	LRTNPA001DRZZ	AF			connector
5-31	LRTNPA002DRZZ	AF			connector
5-32	XBP8740P25K00	AC			Screw : 4mm x 25mm
5-33	XCP8730P08XS0	AC			Screw : 3mm x 8mm
5-34	XEP8740P10000	AA			Screw : 4mm x 10mm
5-35	LX-RZ180AKRE0	AA			Special ring
MISCELLANEOUS					
6-1	YCADHA030WRRZ	AF			Touch guide
6-2	TINSEB153WRRZ	AP			Instruction book
6-3	LHLDWA013WRE0	AC			Purge lock
6-4	FW-VZC150WREZ	BF			Main wire harness
6-5	FW-VZC160WREZ	AZ			Harnes (CPU harnes)
6-6	FW-VZC164WREZ	AX			Harnes (Main wire harness B)
6-7	FW-VZC155WREZ	AG			Harnes (Oven harness)
6-8	FW-VZC158WREZ	AG			Harnes (DC harness 2)
6-9	FW-VZC167WREZ	AH			Harnes (Sensor harness)
6-12	LHLDWA011WRE0	AB			Purge lock M