



coffeeing the World

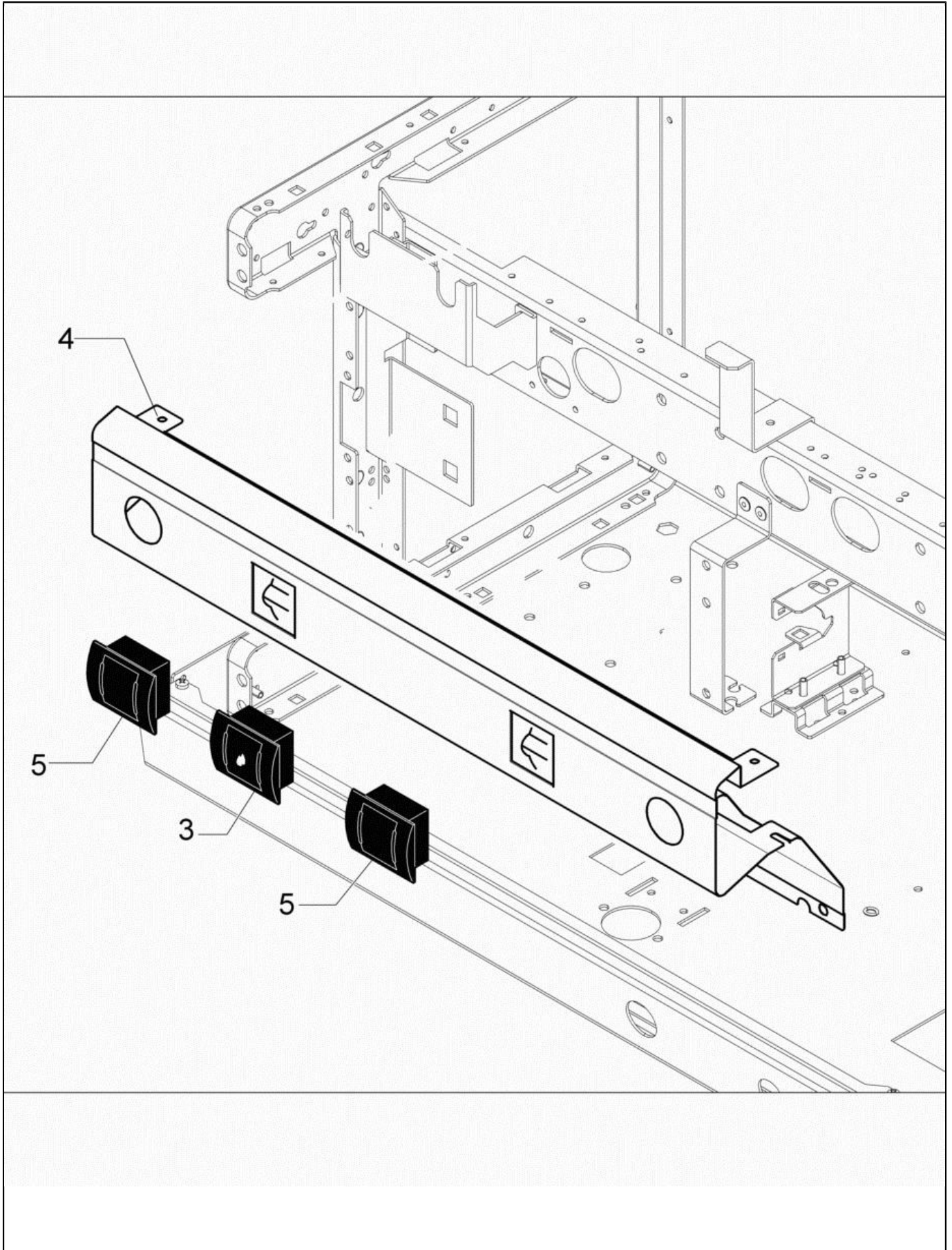
CLASSE 7 S/14



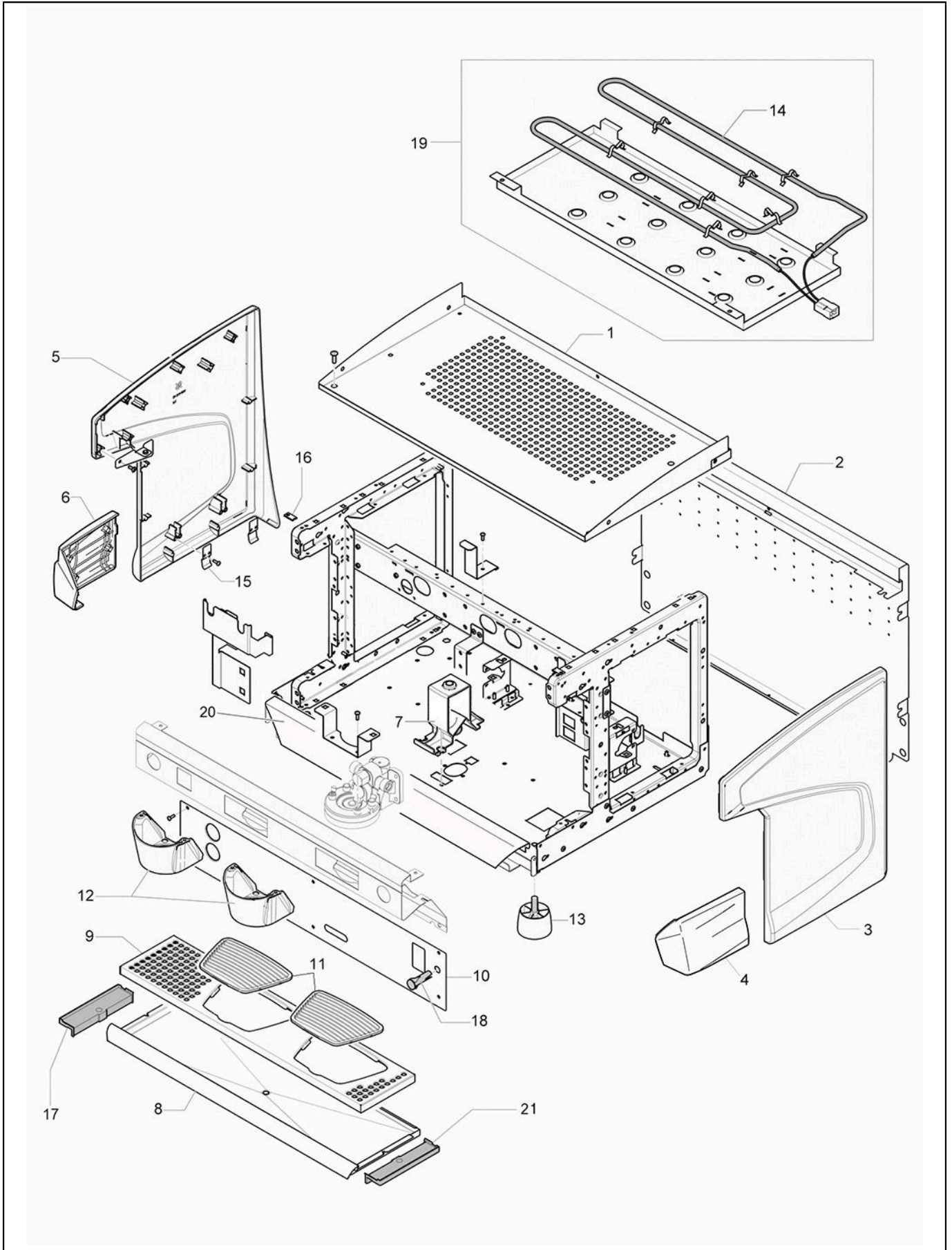
CLASSE 7

Index

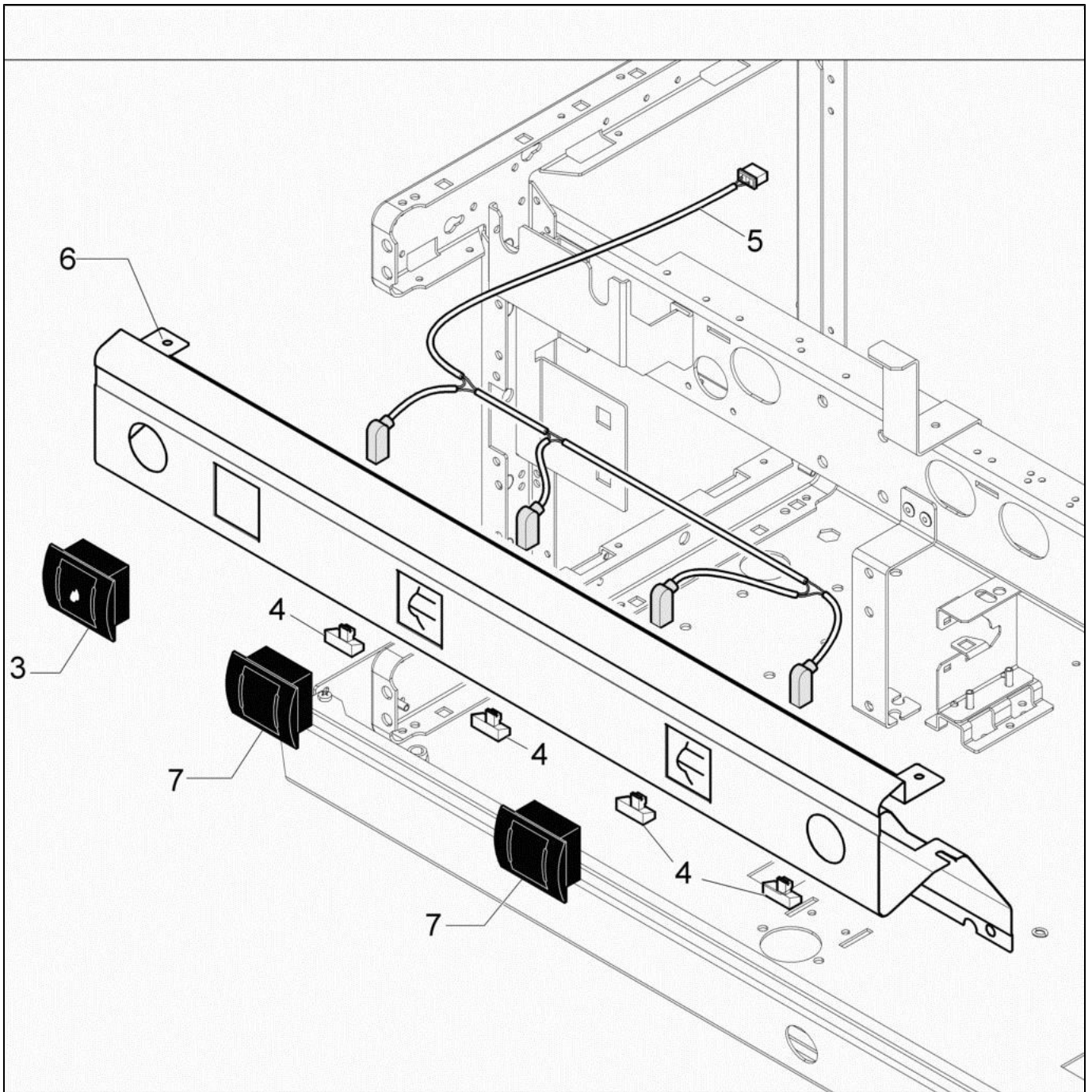
Table 1005 - CONTROL PANEL COMPACT S.....	4
Table 1000 - Body.....	6
Table 1002 - CONTROL PANEL S.....	8
Table 2004 - BREWING GROUP 110-220V.....	10
Table 2006 - Water spout	12
Table 2007 - STEAM TAP.....	14
Table 2001 - HYDRAULIC CIRCUIT S.....	16
Table 2003 - BOILER/MOTOR PUMP.....	18
Table 3001 - ELECTRIC/ELECTRONIC PARTS S.....	20
Table 4000 - Clever Steam Tap	22
Table 4001 - GAS PLANT.....	24
Table 4003 - YOUSTEAM S.....	26
Alphanumeric index.....	28



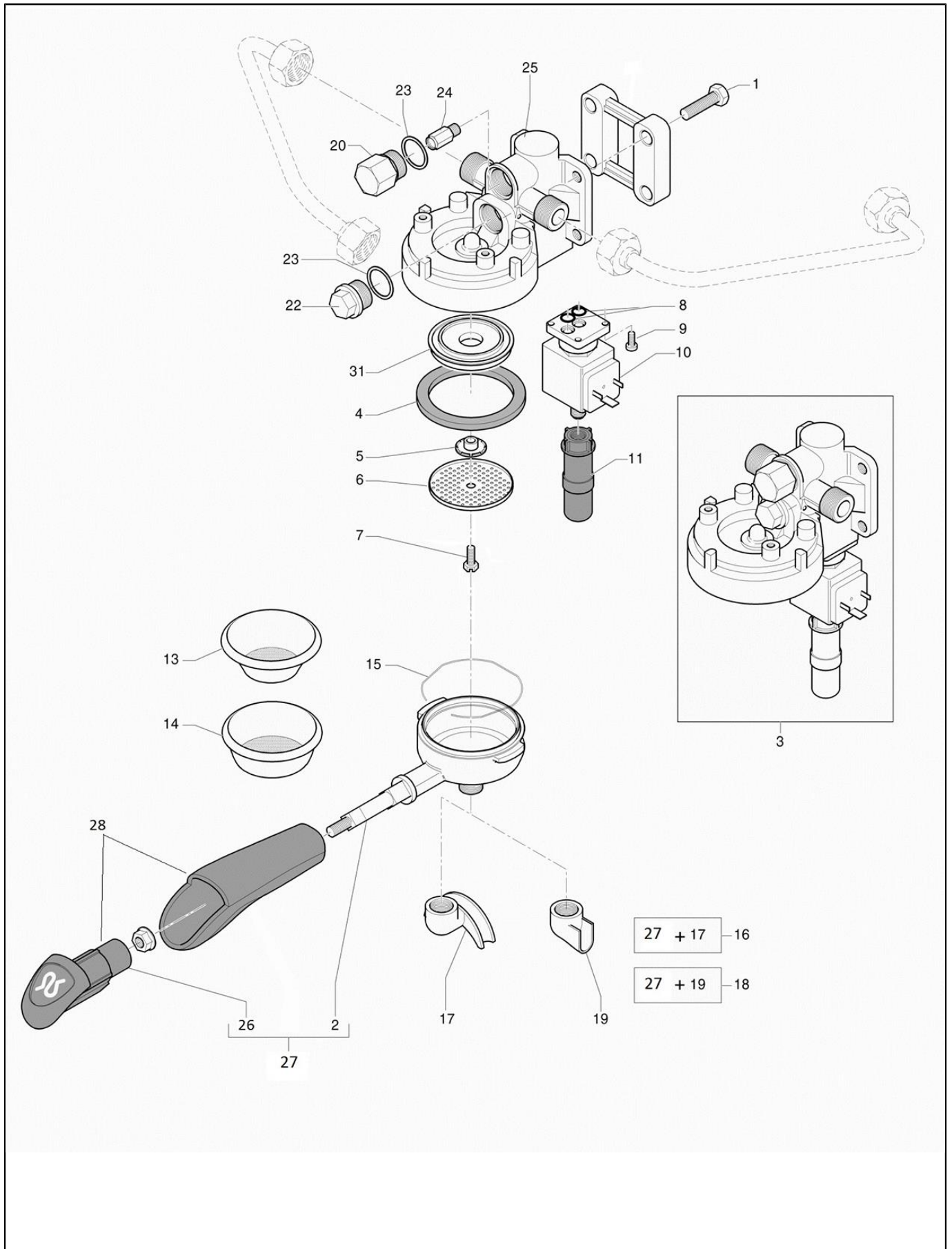
POS.	CODE	DESCRIPTION	NOTES
3	10701169 10705680	KIT TASTO ACQUA C7 PPO WATER SWITCH	
4	32331858	PANNELLO COM.2GR.COMP.C7/14 S -AI-LUCIDO	
5	10701166 10705679	KIT TASTO CAFFE' C7-C9 PPO COFFEE SWITCH C7S	



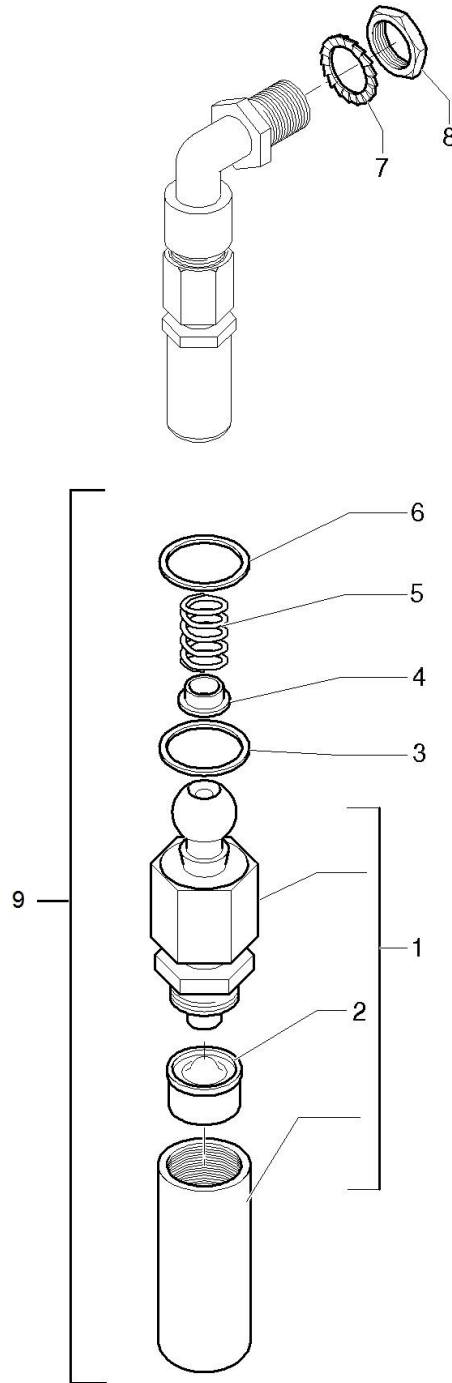
POS.	CODE	DESCRIPTION	NOTES
1	32331663	TOP SIDE PANEL C7 2GR COMP	
	32331664	TOP 2GR	
	32331665	TOP 3GR	
2	32331861	rear panel 2gr classe 7/14 compact	
	32331862	rear panel 2gr classe 7/14	
	32331863	rear panel 3gr classe 7/14	
3	10705469	side panel right classe 7/14	
4	38123949	side cup tray panel right classe 7/14	
5	10705470	side panel left classe 7/14	
6	38123950	side cup tray panel left classe 7/14	
7	36901802	DRAIN TUBE	
	38123954	drain tray canalizer classe 7/14	
8	32331827	drain tray 2GR comp. classe 7/14	
	32331828	drain tray 2GR classe 7/14	
	32331829	drain tray 3GR classe 7/14	
9	32331832	cup tray 2gr comp. Classe 7/14	
	32331833	cup tray 2gr classe 7/14	
	32331834	cup tray 3gr classe 7/14	
10	32331844	front panel 2gr classe 7/14 comp.	
	32331845	front panel 2gr classe 7/14	
	32331846	front panel 3gr classe 7/14	
11	38123666	CUP TRAY MC/07	
12	21300790	chromed group cover Classe 7	
13	38123568	Coffee machine leg	
14	33122002	Cup-WARMER Resistance 230V 2GR	
	33122003	Cup-WARMER Resistance 230V 3GR	
15	32331178	SIDE PANEL HOOK	
16	37900808	Plate U-8/24/11	
17	38123953	side support classe 7/14	
18	34030110	ROUND ORANGE LAMP	
19	10700276	KIT CUPWARMER 2GR + SCREWS SET	
	10700277	KIT CUPWARMER 3GR + SCREWS SET	
	10700279	KIT CUPWARMER 2GR COMP. + SCREWS SET	
20	32331836	lower front panel drain tray 2gr comp. classe 7/14	
	32331837	lower front panel drain tray 2gr classe 7/14	
	32331838	lower front panel drain tray 3gr classe 7/14	
	32331840	lower front panel drain tray 2gr classe 7/14 gas	
	32331841	front lower drain tray classe 7/14 gas 3gr	
21	38123953	side support classe 7/14	
22	37030523	screw m5 x 10 tcbi ph inox	side panel
23	37154212	SCREW 4,2X13	front panel
24	37175012	ScrewM5 x 12mm	back panel



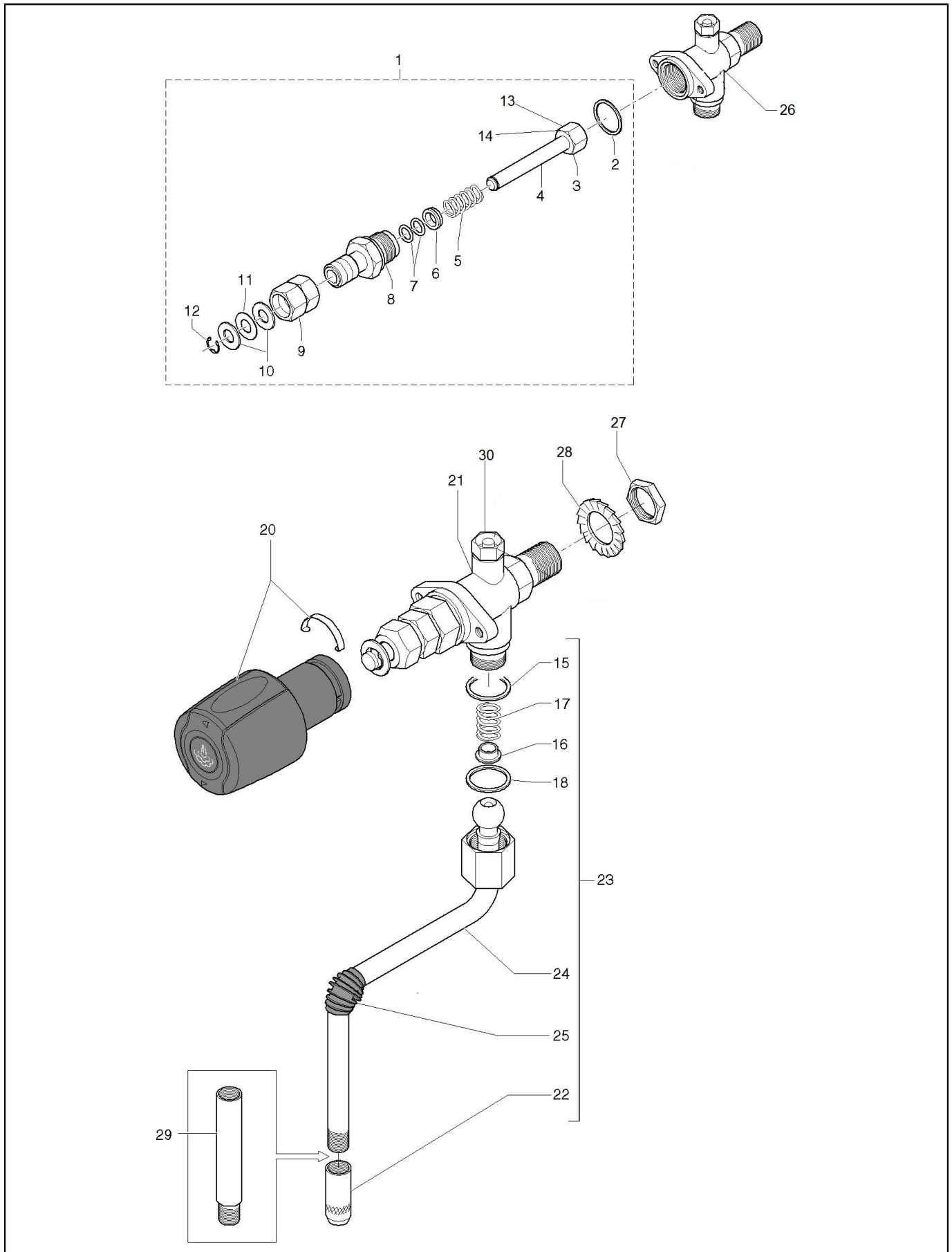
POS.	CODE	DESCRIPTION	NOTES
3	10701169	KIT TASTO ACQUA C7 PPO	
	10705680	WATER SWITCH	
4	10705685	LED GROUP	
5	10110746	LIGHT WIRING 2GR	
	10110747	WIRING LIGHT 3GR	
6	32331859	control panel 2gr classe 7/14 S	
	32331860	control panel 3gr classe 7/14 s	
7	10701166	KIT TASTO CAFFE' C7-C9 PPO	
	10705679	COFFEE SWITCH C7S	



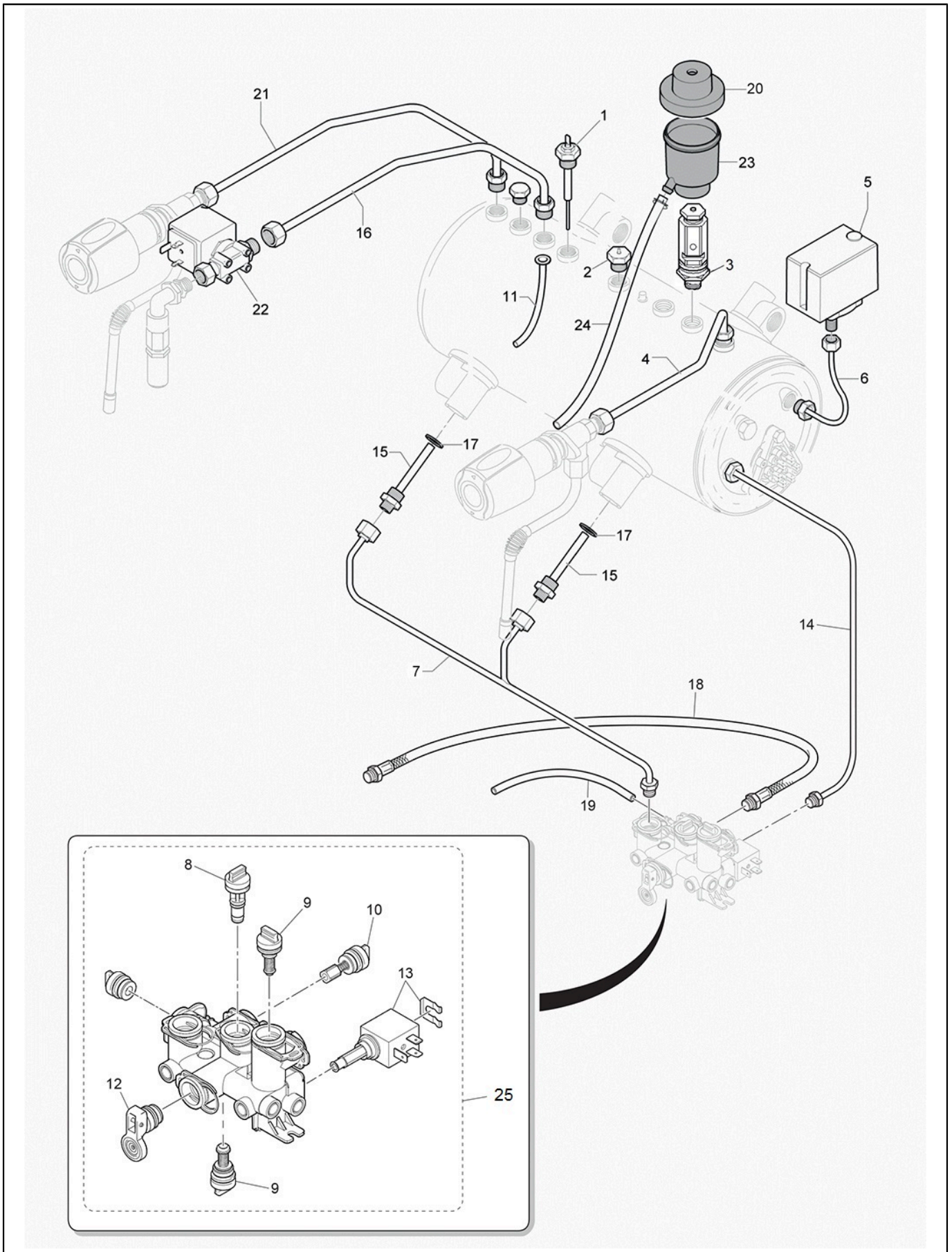
POS.	CODE	DESCRIPTION	NOTES
1	37040830	Screw M 8X30	
2	20112011	FILTER-HOLDER	
3	10051173	GROUP WITH INFUS.CHAMBER 230V	
	10051176	GROUP HEAD 120V	
4	36301046	group gasket perossidica hp	
5	25139001	GROUP JETBREAKER	
6	40200005	SHOWER NET	
7	37030518	SHOWER SCREW	
8	36402005	O-Ring Electrovalve	
9	37060413	Screw M 4 X 12	
10	34040149	ECO ELV 3 WAY UL 208-240V.	
	34040150	Electrovalve 3/2 ways 110-120V 60HZ UL Sirai	
11	10090002	THERM.GROUP JETBREAKER	
13	40100001	1 CUP FILTER	
14	40100010	2 CUP FILTER	
15	25105005	FIX.FILTER SPRING	
16	10071137	2 CUP FILTER-HOLDER 09	
17	21100801	2 CUP BEAK MC/09	
18	10071118	1 CUP FILTER HOLDER 09	
19	21102601	1 CUP BEAK MC/09	
20	23000227	group jet cap	
22	20122653	brewing group cap	
23	27400002	INFUS.CHAMBER TAP GASKET	
24	10060612	kit gicleur	
25	20200054	group body	
26	10705535	filterholder cap with Ring	
27	10071100	FILTERHOLDER NO BECK	
28	10705091	KIT FILTER HOLDER TAP 07	
31	20200182	ECO SPACE GROUP NICKEL	



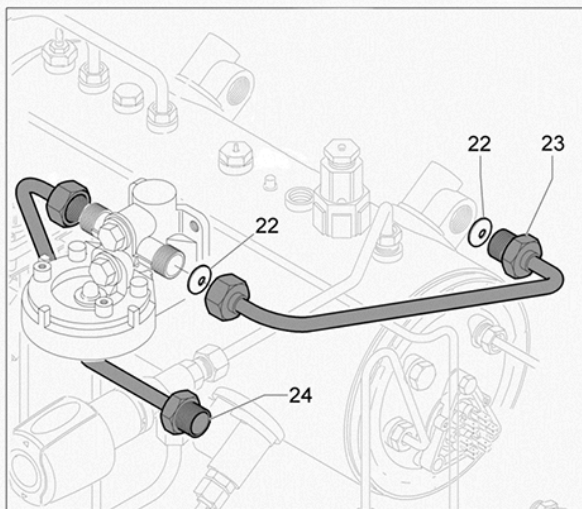
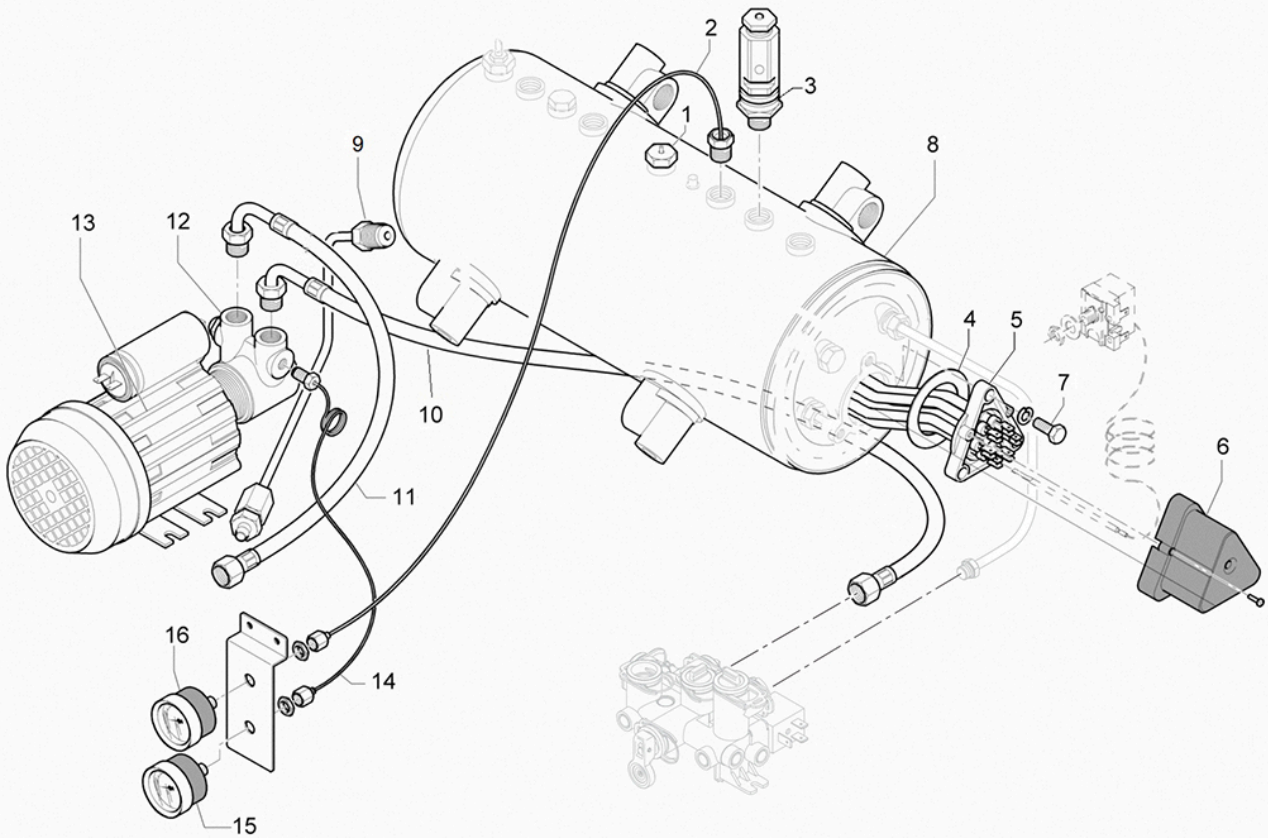
POS.	CODE	DESCRIPTION	NOTES
1	10705079	JETBREAKER+SPRAYER	
2	25135020	WATER SPRAYER FILTER C7	
3	36930017	Joint	
4	36930016	Gasket	
5	39110038	Spring	
6	36220009	Gasket Nut Note Teflon	
7	37431600	OUTER TOOTHED Washer D16	
8	26220005	Flat Nut 3/8	
9	10705174	HOT WATER LANCE C7	



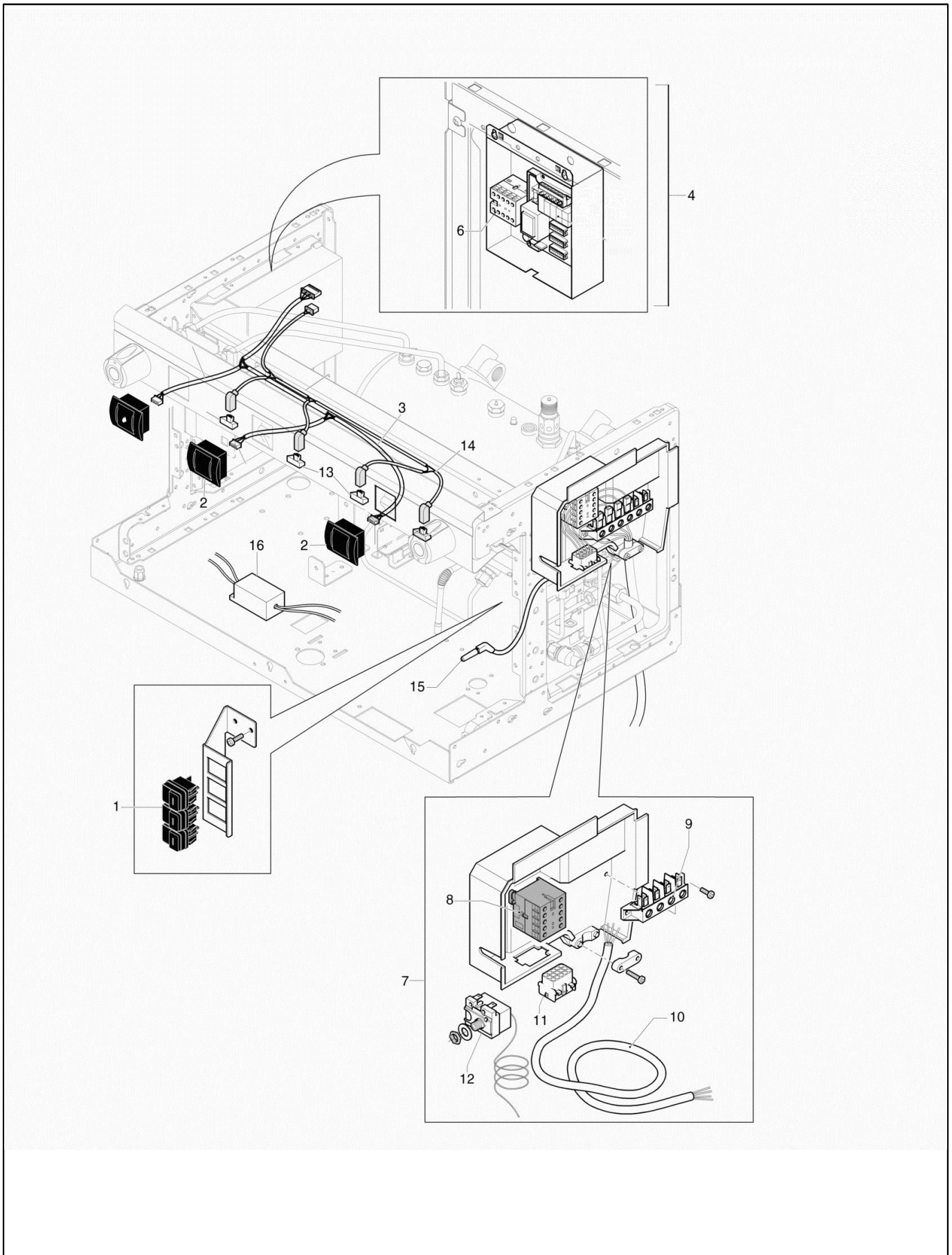
POS.	CODE	DESCRIPTION	NOTES
1	10706044	STEAM TAP MOVEMENT	
2	27400001	Gasket Copper Compass RE Group	
3	10060001	NUT+STEAM COCK GASKET	
4	10060002	ROD+Nut AND Steam COCK GASKET	
5	39110035	Water-Steam COCK Spring	
6	25132003	Spring GUIDE for NEW COCK	
7	36402003	O-Ring 9,25 x 1,78 VITON 75SH	
8	23000228	TAP ROD BUSH	
9	23220029	REG BUSH for NEW COCK	
10	32239044	NEW Steam COCK Washer	
11	36230001	Teflon Washer	
12	37510700	ELASTIC RING D.7	
13	36301105	Gasket for Nut steam Tap EPDM	
14	23000003	DISK BLOC NUT GR. CL 10/RE	
15	36220009	Gasket Nut Note Teflon	
16	36930016	Gasket	
17	39110038	Spring	
18	36930017	Joint	
20	10060183	Handle assay.	
21	10060103	STEAM TAP WITH A.V.VALVE	
22	23212033	NEW SPAYER LG 25	
23	10706003	STEAM PIPE	
24	10049056	STEAM PIPE BRASS	
25	36990004	Rubber for Steam PIPES	
26	10060021	compass+steam tap	
27	26220005	Flat Nut 3/8	
28	37431600	OUTER TOOTHED Washer D16	
29	25128014	STEAM WAND EXTENSION INOX	
30	10705180	KIT AV VALVE STEAM TAP	



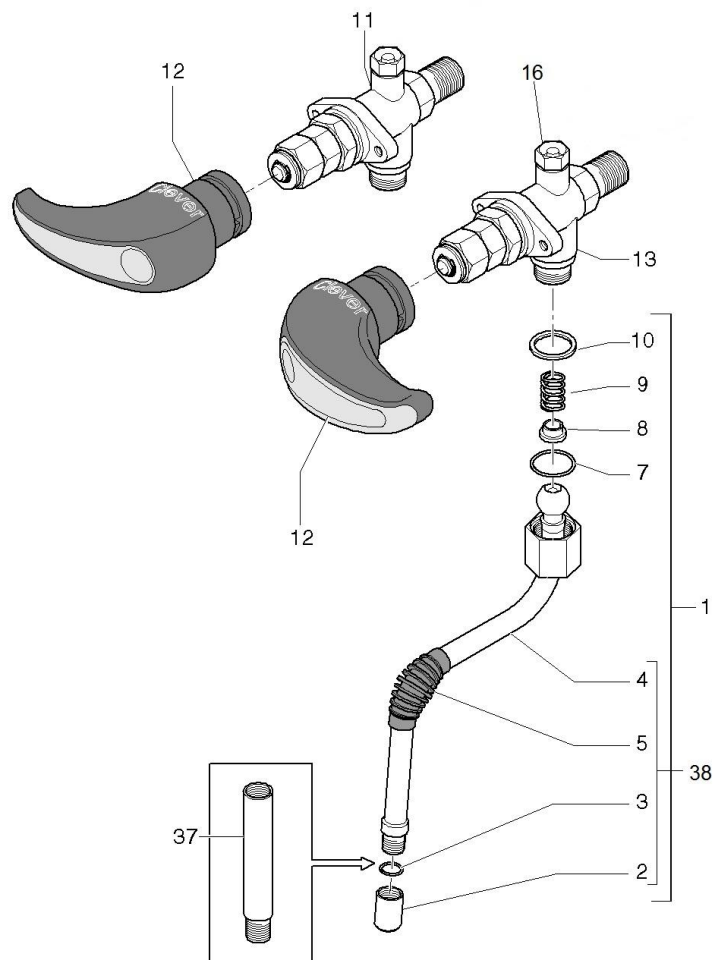
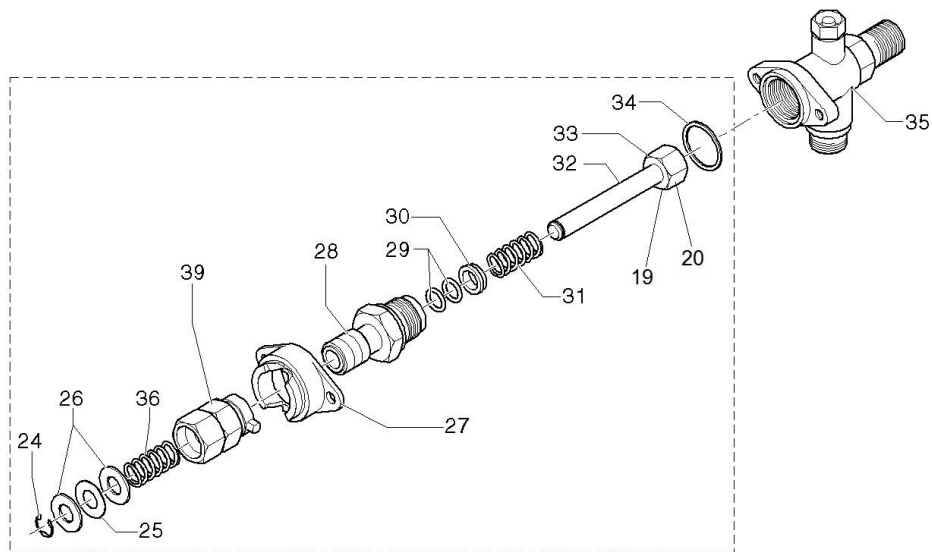
POS.	CODE	DESCRIPTION	NOTES
1	34200088	LEVEL PROBE ASSEMBLY	
2	10060059	Antivacuum Valve	
3	10060525	SAFETY VALVE	
	23000163	EXTENSION SECURITY VALVE	
4	10043046	Pipe 8 x 6 x mmL = 270 mm	
5	34200109	MECH. PRESSURE SWITCH P/303	
	34200110	Pressure switch	
	34200112	PRESSURE Switch MECC.PARKER	
6	10042022	TUBE 6X4X230	
7	10046048	collector pipe hydraulic mod. classe 7 compact s	
	10046049	collector pipe 2gr hydraulic mod. classe 7 s	
	10046050	collector pipe 3gr hydraulic mod. classe 7 s	
	36404052	O-Ring 9,16 x 2,62 FPM 3037	
8	69140006	filter hydraulic module	
9	69140007	check valve hydraulic module	
	69140016	CHECK VALVE CAP	
	69140017	check valve piston	
	69140018	CHECK VALVE SPRING	
10	69140009	pressure relief valve hydraulic module	
	69140010	spring pressure relief valve hydraulic module	
	69140011	plunger pressure relief valve hydraulic module	
	69140019	pressure relief valve cap	
11	27120130	HOT WATER SUCTION PIPE	
12	69140008	manual tap hydraulic module	
	69140012	closing bracket hydraulic module	
13	69140014	operator kit 220-240v hydraulic module	
	69140015	operator kit 110-120v hydraulic module	
14	10042026	PIPE 6X4X368	
	36404052	O-Ring 9,16 x 2,62 FPM 3037	
15	10042004	injection pipe 127	
	10042006	injector pipe/14 L 175	
16	10043039	Pipe 8 x 6 x mmL = 350 mm	
17	27350001	GASKET 3/8 x 1 Copper Gas	
18	36404052	O-Ring 9,16 x 2,62 FPM 3037	
	69000730	flex pipe m3/8 1060 mm elbow	
	69000731	FLEX PIPE 3/8M-SN MM 830 ELBOW	
19	38228002	Silicone hose D. 9 x 6mmL = 560 mm	
20	38123946	SECURITY VALVE TOP	
21	81330111	Steam COCK Tap SX	
22	10060485	Electrovalve Hot Water 110V	
	10060518	Electrovalve Hot Water 230V	
23	38123947	DRAIN TANK SECURITY VALVE	
24	38228003	Silicone hose D. 9 x 6mmL = 480 mm	
25	10700300	Starter kit Hydraulic Module 220-240v	
	10700300	Starter kit Hydraulic Module 220-240v	
	10705937	HYDRAULIC BLOCK MC 110V	
	10705938	HYDRAULIC BLOCK MC 230V	



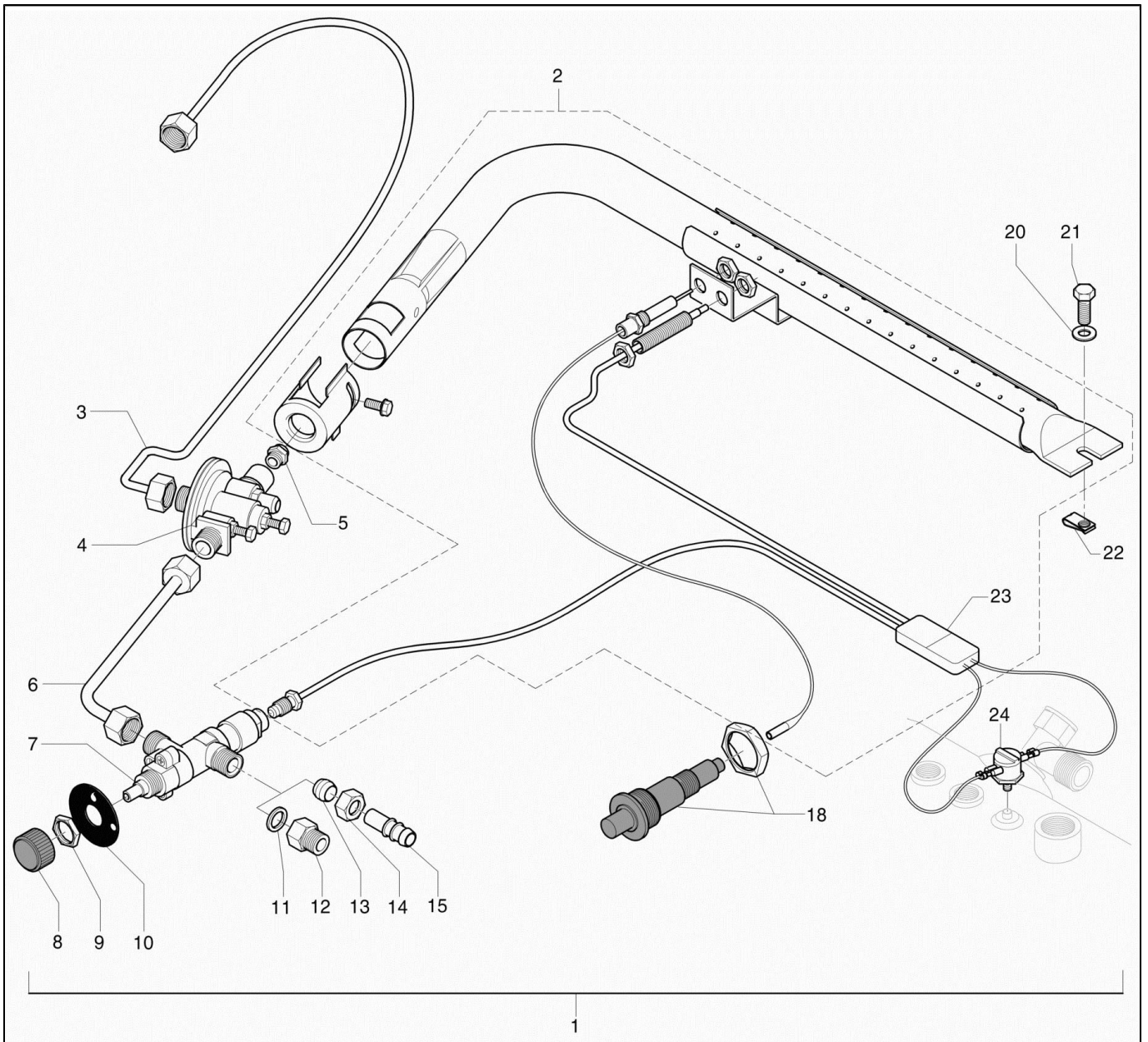
POS.	CODE	DESCRIPTION	NOTES
1	10060059	Antivacuum Valve	
2	10041042	Pipe 4 x 3 mmL = 600 mm	
3	10060525	SAFETY VALVE	
4	36930012	Gasket Resistance Teflon	
5	33311271	heating element 110v/2700w	
	33323001	heating element 230v/2500w	
	33323004	heating element capill. 230v/4300W	
	33323006	heating element+capillar 230v 6000w	
6	38123665	COVER HEATING ELEMENT	
7	37040821	Screw M 8X22	
8	10022320N	BOILER 2GR.	
	10022320T	BOILER 2GR	
	10022330N	BOILER 3GR PLATED	
	10022330T	BOILER 3GR	
	10022350N	boiler 2GR. COMP. EtI	
	10022350T	BOILER 2GR. COMP.	
9	10043007	BOILER DISCHARGE PIPE COMPL.	
10	69000730	flex pipe m3/8 1060 mm elbow	
	69000731	FLEX PIPE 3/8M-SN MM 830 ELBOW	
11	69000734	FLEX PIPE MM1800 WITH ELBOW+CHECK VALVE	
	69000735	FLEX PIPE MM2300 WITH ELBOW+CHECK VALVE	
12	10705960	KIT PUMPING ELEMENT	
	69000993	volumetric pump VM 200L/H "Rancilio"	
13	34011009	Motor 110 V CE / UL	
	34011102	VM MOTOR 230V	
	34020020	CONDENSER 8 MF RPM	
14	69000243	PIPE CAPILLARY MANOMETER F1/8-M1/8	
15	35002509	PUMP MANOMETER	
16	35002508	BOILER MANOMETER	
22	23125009	GROUP REDUCTION D3.5	
	23125021	RECSTRICION GROUP DIAM. 2 MM	
23	10044053	circulation pipe 10 x 8 f1/2-m1/2	
24	10044054	circulation pipe 10 x 8 f1/2-m1/2	



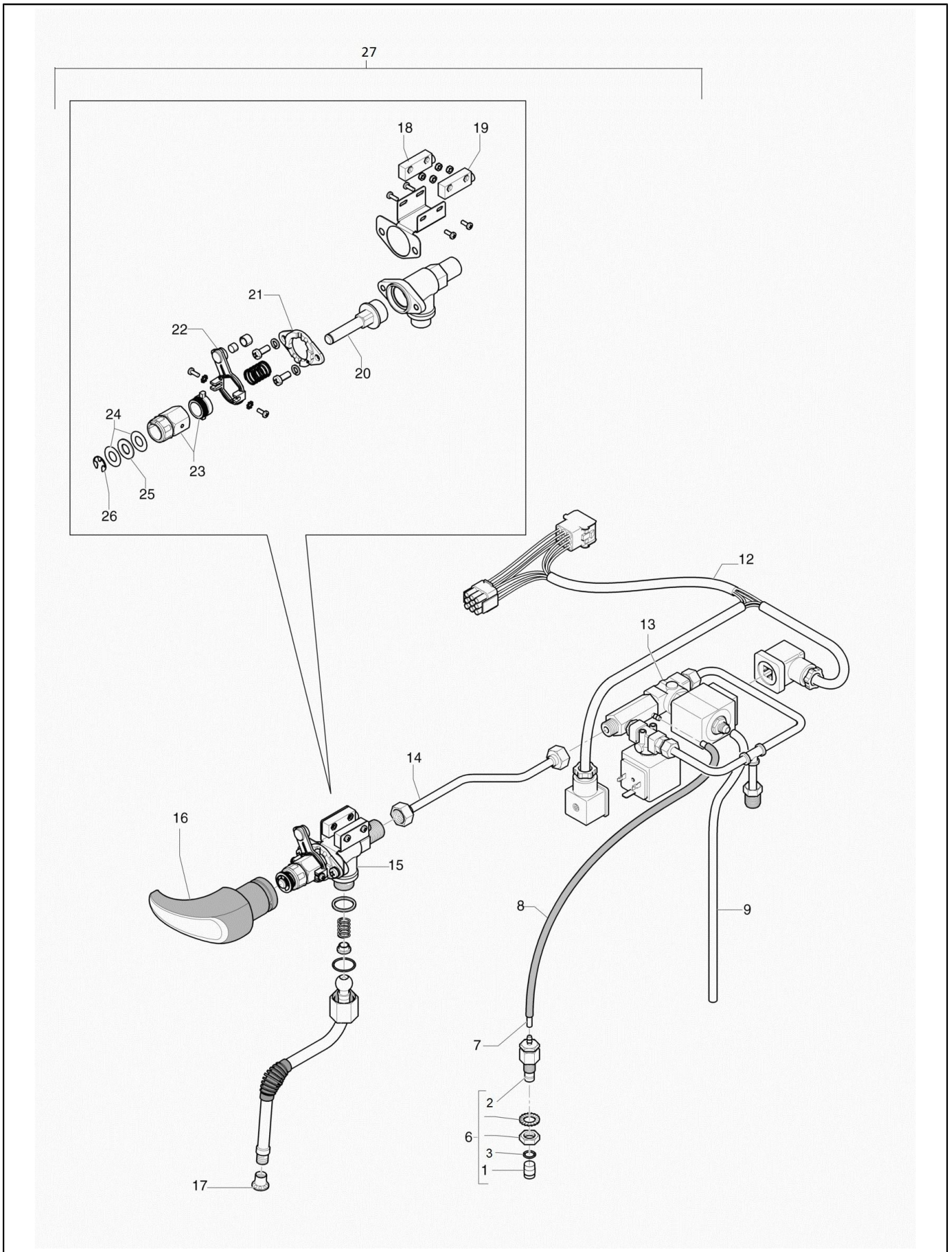
POS.	CODE	DESCRIPTION	NOTES
1	34030970	GREEN SWITCH	
2	10705679	COFFEE SWITCH C7S	
3	10110753	KEYBOARD WIRING 1-2GR	
	10110754	KEYBOARD WIRING 3-4GR	
4	10110379	wired box 110-120v classe 7-classe 9 S	
	10110380	ELECTRONIC BOX 230V	
	34070081	KIT BOARD POWER	
	34070084	power print 110-120v classe 7/classe 9 S	
6	34200332	MINI-CONTACTOR 220-240v	
7	10110359	ELECTRIC BOX 230V	
8	34200332	MINI-CONTACTOR 220-240v	
9	34150026	CLAMP 4 POSITION	
10	34300073	Cable	
	34300074	CABLE 3 WIRES 2,5	
11	10110655	WIRING POWER	
12	34200097	SAVE- HEATING ELEMENT EGO MONOF.	
13	10705685	LED GROUP	
14	10110746	LIGHT WIRING 2GR	
	10110747	WIRING LIGHT 3GR	
15	34030116	NEON LAMP	
16	10705688	LIGHT TRANSFORMER	



POS.	CODE	DESCRIPTION	NOTES
1	10706003	STEAM PIPE	CLASSE 7 / EPOCA / CLASSE 6
2	23212035	STEAM SPRAYER LG44 D1.5	
3	36404022	O-Ring 6,4 x 1,9 RSA	
4	10049056	STEAM PIPE BRASS	CLASSE 7 / EPOCA / CLASSE 6
5	36990004	Rubber for Steam PIPES	
7	36930017	Joint	
8	36930016	Gasket	
9	39110038	Spring	
10	36220009	Gasket Nut Note Teflon	
11	10060104	FAST STEAM TAP LEFT + A.V.VALVE	
12	10060181	HANDLE CLEVER	
13	10060106	FAST STEAM TAP RIGHT + A.V.VALVE	
16	10705180	KIT AV VALVE STEAM TAP	
19	36301105	Gasket for Nut steam Tap EPDM	
20	23000003	DISK BLOC NUT GR. CL 10/RE	
24	37510700	ELASTIC RING D.7	
25	36230001	Teflon Washer	
26	32239044	NEW Steam COCK Washer	
27	20112601	CAMS SX STEAM COCK	
	20112603	CAMS DX STEAM COCK	
28	23000047	COCK ROD BUSH	
29	36402003	O-Ring 9,25 x 1,78 VITON 75SH	
30	25132003	Spring GUIDE for NEW COCK	
31	39110035	Water-Steam COCK Spring	
32	10060002	ROD+Nut AND Steam COCK GASKET	
33	10060001	NUT+STEAM COCK GASKET	
34	27400001	Gasket Copper Compass RE Group	
35	10705014	STEAM COCK BODY+VALVE A.VV	
36	39110036	SPRING STEAM COCK	
37	25128014	STEAM WAND EXTENSION INOX	
	25128015	WATER WAND EXTENTION INOX	
39	10060005	NUT STEAM COCK	



POS.	CODE	DESCRIPTION	NOTES
1	10705096	KIT GAS PLANT 2GR.	
	10705097	KIT GAS PLANT 3-4GR.	
2	30300075	GR.GAS BURNER 2GR.	
	30300076	GR.GAS BURNER 3-4GR	
3	10041031	PIPE 4X3X600	
4	10060815	GAS REGULATOR	
5	23210031	GAS JET DIAM.0,90	
	23210032	GAS JET DIAM.1,02	
	23210033	GAS JET DIAM.1,35	
	23210037	GAS JET DIAM. 0,75	
6	10042101	PIPE 6X4X300	
	10042160	PIPE 6X4X130 F1/4-F1/4	
7	69000251	GAS COCK	
8	38123567	HANDLE GAS COCK	
9	69000019	NUT X COCK GAS	
10	42300003	PLATE GAS	
11	36240008	Gasket 11,5 x 8 SP.1.5 Copper	
12	23222039	REDUCER 1/2M-1/4F	
13	69000117	JUNCTION ELEMENT PIPE D.8	
14	69000116	Nut	
15	23115007	GAS RUBBER HOLDER	
18	69000020	PIEZOELECT.LIGHTER	
20	37410600	Plane Washer DIAM. 6	
21	37040615	SCREW M 6 X 16	
22	37900822	PLATE UC/M6/15/12	
23	69000097	THERMOCOUPLE	
24	34200053	THERMOSTAT 165Û	



POS.	CODE	DESCRIPTION	NOTES
1	23000092	Flow limiter D. 0,25 mm	
	23000093	Flow limiter D. 0,35 mm	
2	36230017	Duckbill	
3	36404013	O-Ring Silicone 2031	
6	10705320	AIR INPUT VALVE	
7	38228016	SILICON PIPE D5X3	
8	34209124	SHEATH PLAITED POLIESTER UL94	
9	38228002	Silicone hose D. 9 x 6mmL = 560 mm	
12	10110667	WIRING YOUSTEAM C7-C9 S	
13	10705577	EV VENTURI SYSTEM	
	10705578	ASSY EV VENTURI 110V YOUSTEAM	
14	10043067	PIPE 8X6X210 F3/8-F3/8 2-3-4GR.	
15	10060108	STEAM TAP+REED YOUSTEAM	
16	10060187	YOUSTEAM HANDLE	
17	23000181T	C7 YOUSTEAM SPRAYER	
18	34020121	MAGNETIC SENSOR YOUSTEAM	
19	34020119	MAGNETIC SENSOR	
20	23000155	STEAM TAP BAR YOUSTEAM	
21	20112604	CAMME TAP YOUSTEAM	
22	38123929	SUPPORT WITH MAGNET	
23	10060007	ASSEMBLED STEAM TAP BUSH	
24	32239044	NEW Steam COCK Washer	
25	36230001	Teflon Washer	
26	37510700	ELASTIC RING D.7	
27	10700267	KIT YOUSTEAM C7/S 220v	
	10705187	KIT INSTAL.YOUSTEAM C7/S 110V	

Code	No. table	Pos.
10022320N	2003	8
10022320T	2003	8
10022330N	2003	8
10022330T	2003	8
10022350N	2003	8
10022350T	2003	8
10041031	4001	3
10041042	2003	2
10042004	2001	15
10042006	2001	15
10042022	2001	6
10042026	2001	14
10042101	4001	6
10042160	4001	6
10043007	2003	9
10043039	2001	16
10043046	2001	4
10043067	4003	14
10044053	2003	23
10044054	2003	24
10046048	2001	7
10046049	2001	7
10046050	2001	7
10049056	2007	24
10049056	4000	4
10051173	2004	3
10051176	2004	3
10060001	2007	3
10060001	4000	33
10060002	2007	4
10060002	4000	32
10060005	4000	39
10060007	4003	23
10060021	2007	26
10060059	2001	2
10060059	2003	1
10060103	2007	21
10060104	4000	11
10060106	4000	13
10060108	4003	15
10060181	4000	12
10060183	2007	20
10060187	4003	16
10060485	2001	22
10060518	2001	22
10060525	2001	3
10060525	2003	3
10060612	2004	24
10060815	4001	4
10071100	2004	27
10071118	2004	18
10071137	2004	16
10090002	2004	11
10110359	3001	7
10110379	3001	4
10110380	3001	4
10110655	3001	11
10110667	4003	12
10110746	1002	5
10110746	3001	14
10110747	1002	5
10110747	3001	14
10110753	3001	3
10110754	3001	3
10700267	4003	27
10700276	1000	19
10700277	1000	19

Code	No. table	Pos.
10700279	1000	19
10700300	2001	25
10700300	2001	25
10701166	1002	7
10701166	1005	5
10701169	1002	3
10701169	1005	3
10705014	4000	35
10705079	2006	1
10705091	2004	28
10705096	4001	1
10705097	4001	1
10705174	2006	9
10705180	2007	30
10705180	4000	16
10705187	4003	27
10705320	4003	6
10705469	1000	3
10705470	1000	5
10705535	2004	26
10705577	4003	13
10705578	4003	13
10705679	1002	7
10705679	1005	5
10705679	3001	2
10705680	1002	3
10705680	1005	3
10705685	1002	4
10705685	3001	13
10705688	3001	16
10705937	2001	25
10705938	2001	25
10705960	2003	12
10706003	2007	23
10706003	4000	1
10706044	2007	1
20112011	2004	2
20112601	4000	27
20112603	4000	27
20112604	4003	21
20122653	2004	22
20200054	2004	25
20200182	2004	31
21100801	2004	17
21102601	2004	19
21300790	1000	12
23000003	2007	14
23000003	4000	20
23000047	4000	28
23000092	4003	1
23000093	4003	1
23000155	4003	20
23000163	2001	3
23000181T	4003	17
23000227	2004	20
23000228	2007	8
23115007	4001	15
23125009	2003	22
23125021	2003	22
23210031	4001	5
23210032	4001	5
23210033	4001	5
23210037	4001	5
23212033	2007	22
23212035	4000	2
23220029	2007	9
23222039	4001	12

Code	No. table	Pos.
25105005	2004	15
25128014	2007	29
25128014	4000	37
25128015	4000	37
25132003	2007	6
25132003	4000	30
25135020	2006	2
25139001	2004	5
26220005	2006	8
26220005	2007	27
27120130	2001	11
27350001	2001	17
27400001	2007	2
27400001	4000	34
27400002	2004	23
30300075	4001	2
30300076	4001	2
32239044	2007	10
32239044	4000	26
32239044	4003	24
32331178	1000	15
32331663	1000	1
32331664	1000	1
32331665	1000	1
32331827	1000	8
32331828	1000	8
32331829	1000	8
32331832	1000	9
32331833	1000	9
32331834	1000	9
32331836	1000	20
32331837	1000	20
32331838	1000	20
32331840	1000	20
32331841	1000	20
32331844	1000	10
32331845	1000	10
32331846	1000	10
32331858	1005	4
32331859	1002	6
32331860	1002	6
32331861	1000	2
32331862	1000	2
32331863	1000	2
33122002	1000	14
33122003	1000	14
33311271	2003	5
33323001	2003	5
33323004	2003	5
33323006	2003	5
34011009	2003	13
34011102	2003	13
34020020	2003	13
34020119	4003	19
34020121	4003	18
34030110	1000	18
34030116	3001	15
34030970	3001	1
34040149	2004	10
34040150	2004	10
34070081	3001	4
34070084	3001	4
34150026	3001	9
34200053	4001	24
34200088	2001	1
34200097	3001	12
34200109	2001	5

Code	No. table	Pos.
34200110	2001	5
34200112	2001	5
34200332	3001	6
34200332	3001	8
34209124	4003	8
34300073	3001	10
34300074	3001	10
35002508	2003	16
35002509	2003	15
36220009	2006	6
36220009	2007	15
36220009	4000	10
36230001	2007	11
36230001	4000	25
36230001	4003	25
36230017	4003	2
36240008	4001	11
36301046	2004	4
36301105	2007	13
36301105	4000	19
36402003	2007	7
36402003	4000	29
36402005	2004	8
36404013	4003	3
36404022	4000	3
36404052	2001	14
36404052	2001	18
36404052	2001	7
36901802	1000	7
36930012	2003	4
36930016	2006	4
36930016	2007	16
36930016	4000	8
36930017	2006	3
36930017	2007	18
36930017	4000	7
36990004	2007	25
36990004	4000	5
37030518	2004	7
37030523	1000	22
37040615	4001	21
37040821	2003	7
37040830	2004	1
37060413	2004	9
37154212	1000	23
37175012	1000	24
37410600	4001	20
37431600	2006	7
37431600	2007	28
37510700	2007	12
37510700	4000	24
37510700	4003	26
37900808	1000	16
37900822	4001	22
38123567	4001	8
38123568	1000	13
38123665	2003	6
38123666	1000	11
38123929	4003	22
38123946	2001	20
38123947	2001	23
38123949	1000	4
38123950	1000	6
38123953	1000	17
38123953	1000	21
38123954	1000	7
38228002	2001	19

Code	No. table	Pos.
38228002	4003	9
38228003	2001	24
38228016	4003	7
39110035	2007	5
39110035	4000	31
39110036	4000	36
39110038	2006	5
39110038	2007	17
39110038	4000	9
40100001	2004	13
40100010	2004	14
40200005	2004	6
42300003	4001	10
69000019	4001	9
69000020	4001	18
69000097	4001	23
69000116	4001	14
69000117	4001	13
69000243	2003	14
69000251	4001	7
69000730	2001	18
69000730	2003	10
69000731	2001	18
69000731	2003	10
69000734	2003	11
69000735	2003	11
69000993	2003	12
69140006	2001	8
69140007	2001	9
69140008	2001	12
69140009	2001	10
69140010	2001	10
69140011	2001	10
69140012	2001	12
69140014	2001	13
69140015	2001	13
69140016	2001	9
69140017	2001	9
69140018	2001	9
69140019	2001	10
81330111	2001	21



Headquarters, Production Plant and R&D Centers

Rancilio Group s.p.a.

Viale della Repubblica 40
20010 Villastanza di Parabiago
Milano - Italy
Tel +39 0331 408200
Fax +39 0331 551437
www.ranciliogroup.com
info@ranciliogroup.com

Egro Suisse AG

Bahnhofstrasse 66
5605 Dottikon, Switzerland
Tel. +41 (0)56 616 95 95
Fax +41 (0)56 616 95 97
www.egrocoffee.com
info@egrocoffee.com

Worldwide Branch Locations

SPAIN

RancilioGroup Espana, s.a.
Gran Via de Carlos III, 84 3ª
Edificio Trade
08028 Barcelona - Spain
Tel. +34 902 884 275
Tel. +34 934 923 414
Fax +34 934 965 701
www.ranciliogroup.com
info-es@ranciliogroup.com

PORTUGAL

Rancilio Group Portugal Lda
Estrada da Falagueira nº 68 E
2700-365 Amadora-Lisboa - Portugal
Tel. +351 21 019 10 91
Fax +351 21 019 10 91

Rua Nova do Seixo 1282
4465-706 Leça do Balio-Porto - Portugal
Tel. +351 22 010 14 19
Fax +351 22 010 14 19
www.ranciliogroup.com
info-pt@ranciliogroup.com

GERMANY

Rancilio Group Deutschland GmbH
Talstrasse 27
97990 Weikersheim - Germany
Ph. +49 7934 99 29 30
Fax +49 7934 99 29 330
www.ranciliogroup.de
info-de@ranciliogroup.com

SWITZERLAND

Egro Suisse AG
Bahnhofstrasse 66
5605 Dottikon - Switzerland
Tel. +41 (0)56 616 95 95
Fax +41 (0)56 616 95 97
www.egrosuisse.ch
info@egrosuisse.ch

USA/CANADA

Rancilio Group North America Inc.
1340 Internationale Parkway / Suite 200
Woodridge, IL 60517 - U.S.A.
Ph: +1 630 914 7900
Fax: +1 630 914 7901
Toll Free: +1 877 726 2454
www.ranciliogroup.com
info@ranciliogroupna.com

