



*coffeeing the World*

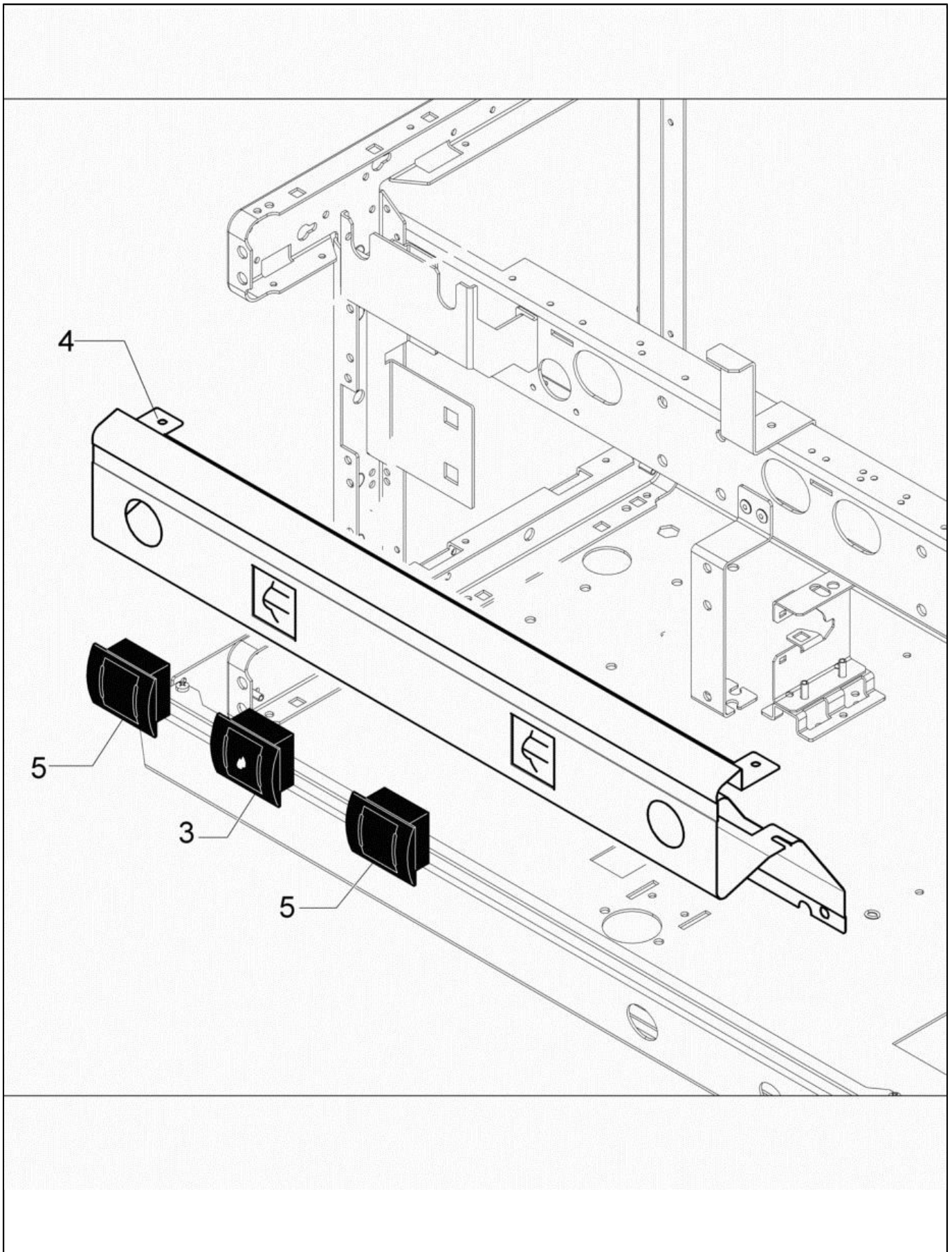
# CLASSE 7 S



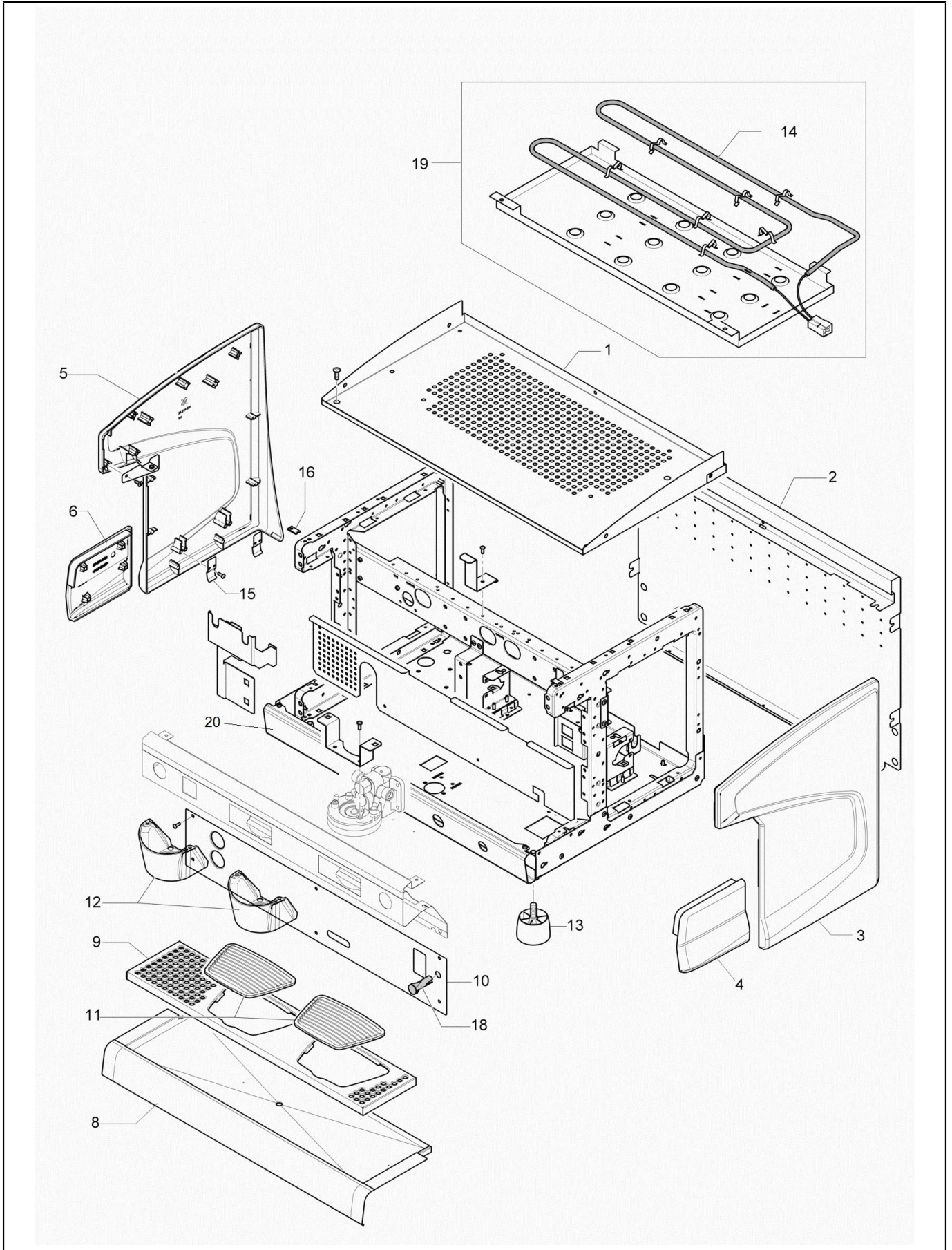
# CLASSE 7

## Index

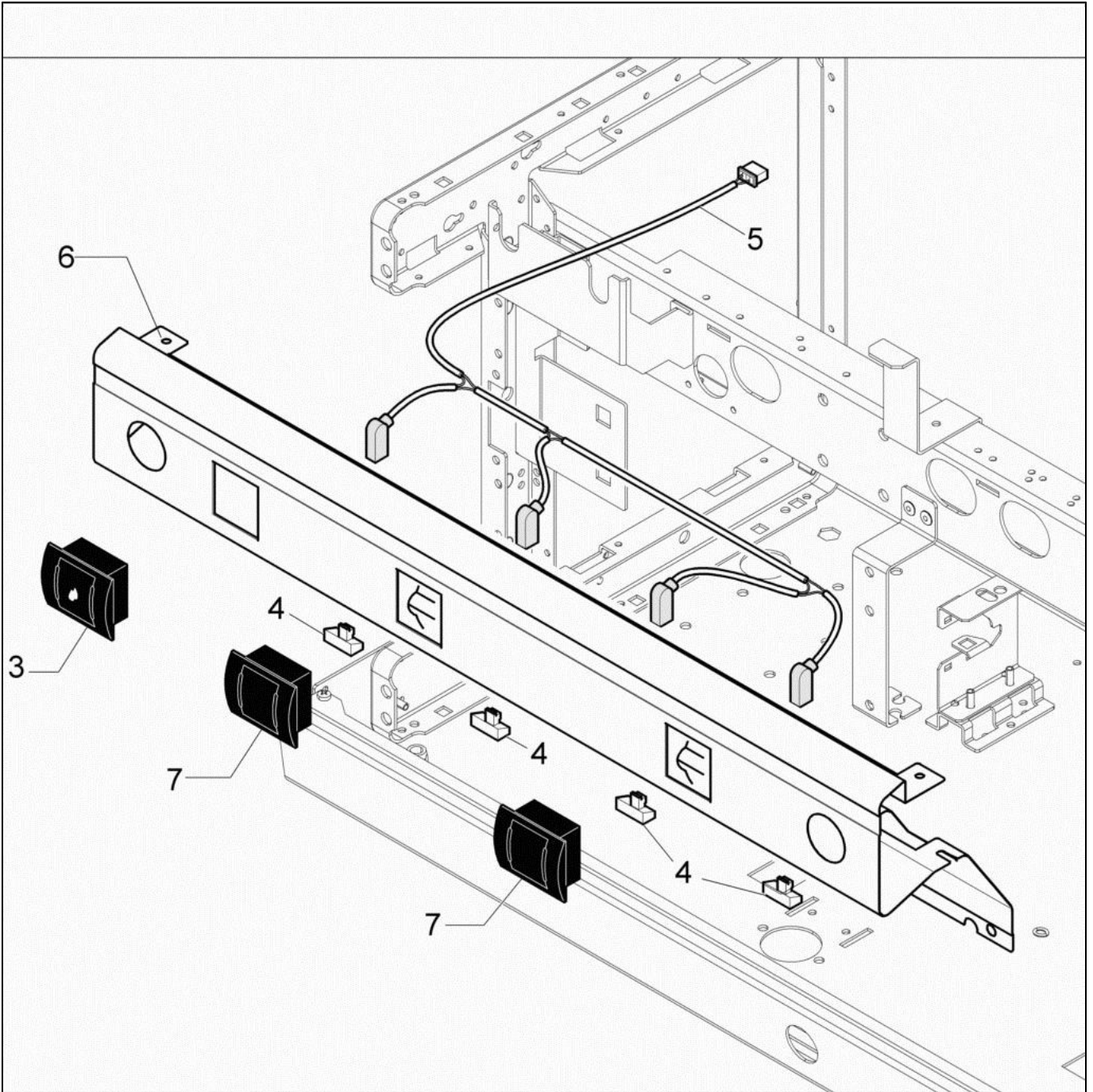
Table 1005 - CONTROL PANEL COMPACT S.....	4
Table 1000 - Body.....	6
Table 1002 - CONTROL PANEL S.....	8
Table 2003 - HEATING ELEMENT/CHECK EXP. VALVE.....	10
Table 2004 - BREWING GROUP 220V.....	12
Table 2006 - Water spout .....	14
Table 2007 - STEAM TAP.....	16
Table 2001 - HYDRAULIC CIRCUIT S.....	18
Table 2014 - HYDRAULIC MODULE S .....	20
Table 3001 - ELECTRIC/ELECTRONIC PARTS S.....	22
Table 3003 - Motor and pump unit.....	24
Table 4000 - Clever Steam Tap .....	26
Table 4001 - GAS PLANT.....	28
Table 4003 - YOUSTEAM S.....	30
Alphanumeric index.....	32



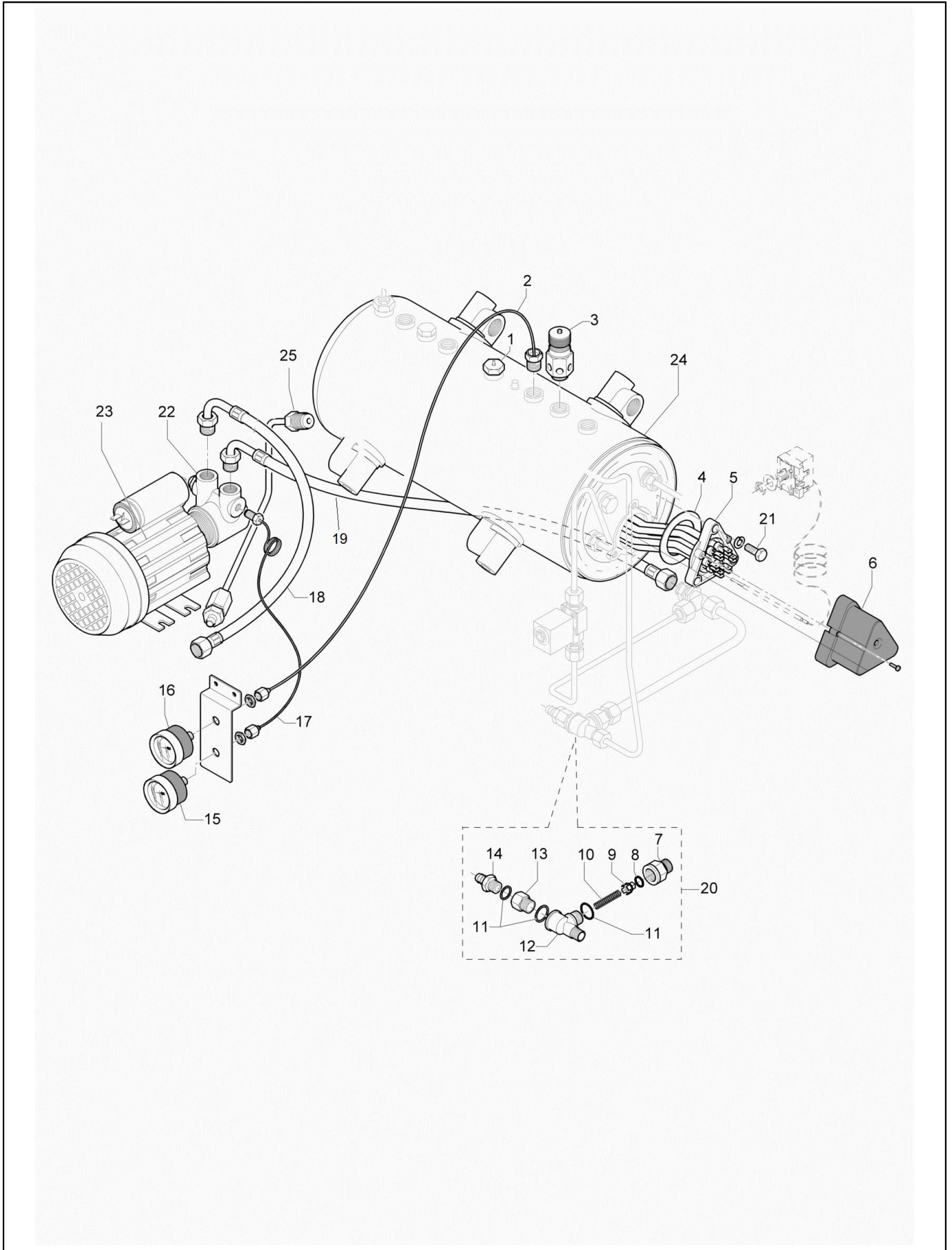
POS.	CODE	DESCRIPTION	QTY	START DATE	END DATE	NOTES
3	<a href="#">10705680</a>	WATER SWITCH	1			
4	<a href="#">32331648</a>	CONTROL PANEL 2GR COMPACT C7 S	1			
5	<a href="#">10705679</a>	COFFEE SWITCH C7S	1			



POS.	CODE	DESCRIPTION	QTY	START DATE	END DATE	NOTES
1	32331663	TOP SIDE PANEL C7 2GR COMP	1			
	32331664	TOP 2GR	1			
	32331665	TOP 3GR	1			
2	32331671	BACK SIDE PANEL C7 COMP. 2 GR	1			
	32331672	front panel 2GR	1			
	32331673	FRONT PANEL 3GR	1			
3	10705461	RIGHT SIDE PANEL	1			
4	38123941	RIGHT BASIN SIDE	1			
5	10705462	LEFT SIDE PANEL	1			
6	38123942	BASIN SIDE LEFT	1			
8	32331683	BASIN C7 COMP 2GR	1			
	32331684	DRAIN TRAY 2GR	1			
	32331685	DRAIN TRAY 3GR	1			
9	32331350	CUPTRAY CUSTOM GRATE C6-C8	1			
	32331351	LEAVE CUP GRATE 2GR	1			
	32331352	LEAVE CUP GRATE 3GR	1			
10	32331675	FRONT PANEL C7 COMP. 2GR	1			
	32331676	TemPlate 2GR	1			
	32331677	TEMPLATE 3GR	1			
11	38123666	CUP TRAY MC/07	1			
12	38120523	GROUPHEAD COVER C7/2012	1			
13	38123568	Coffee machine leg	1			
14	33122002	Cup-WARMER Resistanceance 230V 2GR	1			
	33122003	Cup-WARMER Resistanceance 230V 3GR	1			
15	32331178	SIDE PANEL HOOK	1			
16	37900808	Plate U-8/24/11	1			
18	34030110	ROUND ORANGE LAMP	1			
	10700276	KIT CUPWARMER 2GR + SCREWS SET	1			
	10700277	KIT CUPWARMER 3GR + SCREWS SET	1			
20	32551095	FRONT PLATE CHASSIS 2GR. COMP.	1			
	32551096	FRONT PLATE CHASSIS 2GR.	1			
	32551097	FRONT PLATE CHASSIS 3GR	1			
21	37175012	ScrewM5 x 12mm	1			back panel
22	37030523	screw m5 x 10 tcbl ph inox	1			side panel
23	37154212	SCREW 4,2X13	1			front panel

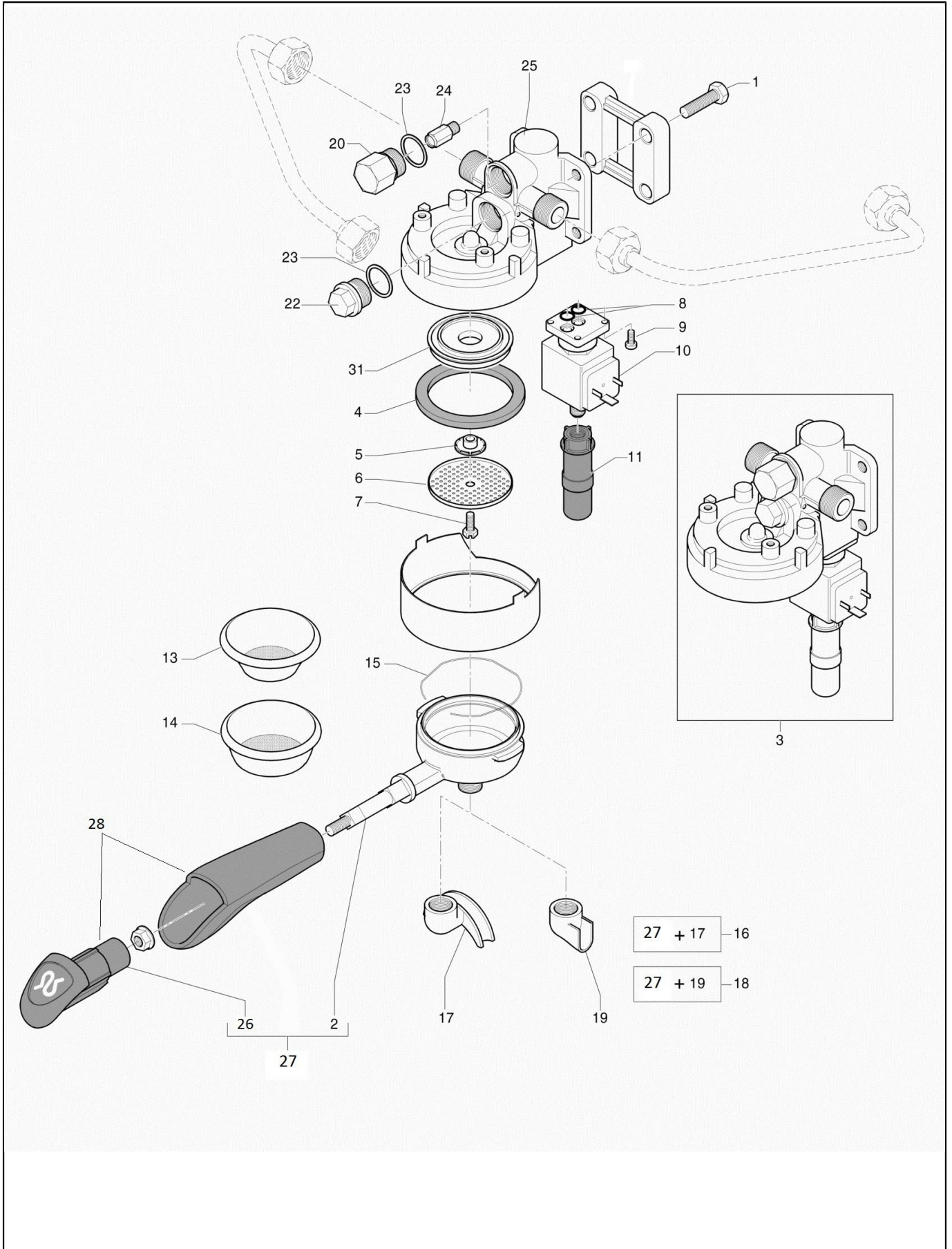


POS.	CODE	DESCRIPTION	QTY	START DATE	END DATE	NOTES
3	<a href="#">10705680</a>	WATER SWITCH	1			
4	<a href="#">10705685</a>	LED GROUP	1			
5	<a href="#">10110746</a>	LIGHT WIRING 2GR	1			
	<a href="#">10110747</a>	WIRING LIGHT 3GR	1			
6	<a href="#">32331649</a>	CONTROL PANEL 2GR C7 S	1			
	<a href="#">32331650</a>	CONTROL PANEL 3GR C7S	1			
7	<a href="#">10705679</a>	COFFEE SWITCH C7S	1			

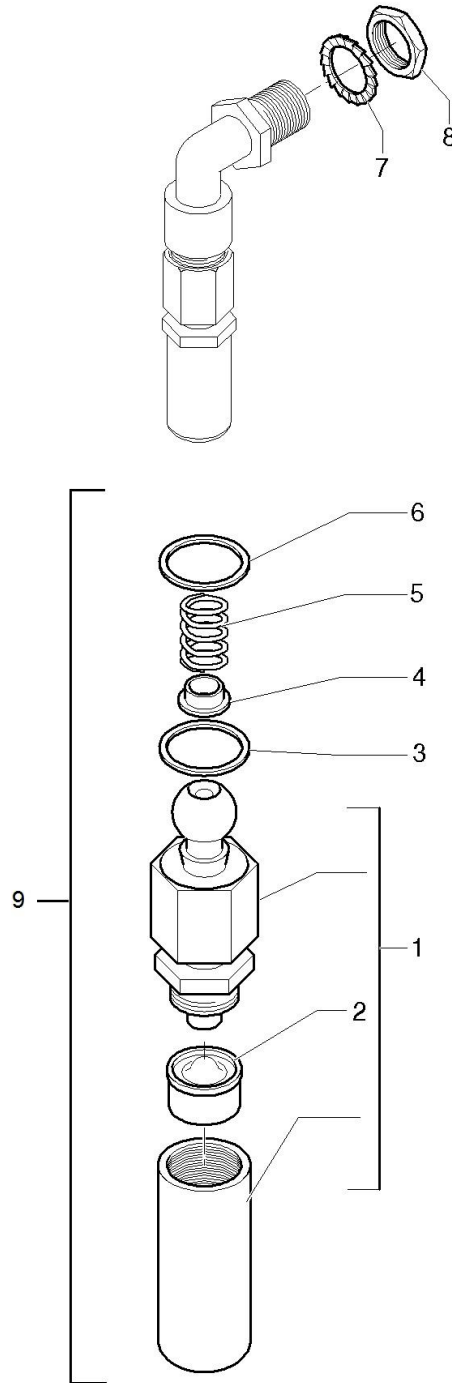


## HEATING ELEMENT/CHECK EXP. VALVE

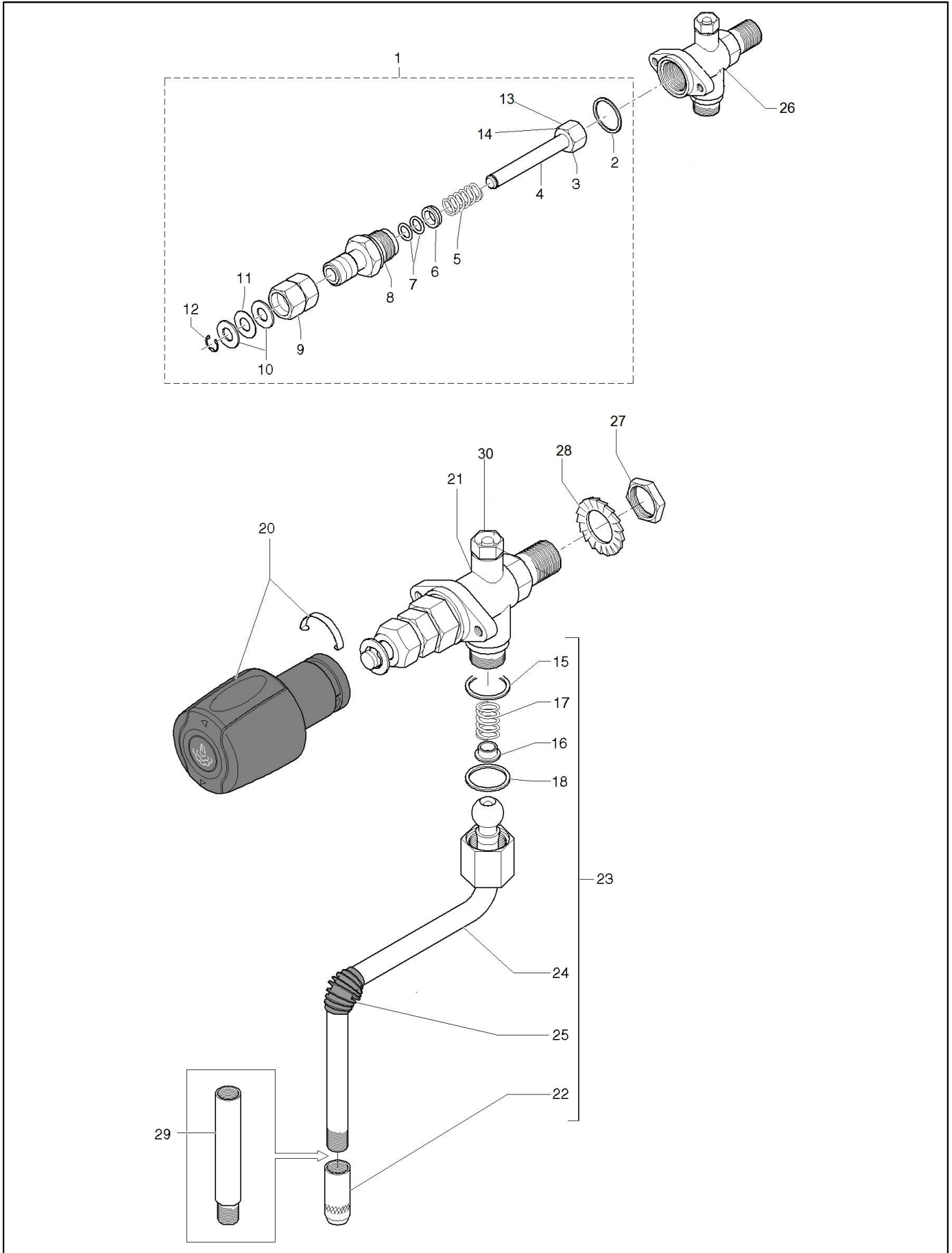
POS.	CODE	DESCRIPTION	QTY	START DATE	END DATE	NOTES
1	10060050	Valve	1			
2	10041042	Pipe 4 x 3 mmL = 600 mm	1			
3	10060525	SAFETY VALVE 1,9 BAR 3/8"	1			
4	36930012	heating element Gasket	1			
5	33323300	Resistance + Kap V230/W3000	1			
	33323430	Resistance + Kap V230/W4300	1			
6	38123665	COVER HEATING ELEMENT	1			
7	23000056	CHECK BODY	1			
8	36404007	Gasket OR 2031	1			
9	23120025	Checkvalve	1			
10	39110063	Checkvalve Spring	1			
11	27350001	GASKET 3/8"	1			
12	20123504	3-WAY JUNCTION	1			
13	23222014	EXPANSION VALVE BODY	1			
14	23220001	RUBBER HOLDER	1			
15	35002509	PUMP MANOMETER	1			
16	35002508	BOILER MANOMETER	1			
17	69000243	PUMP MANOMETER PIPE	1			
18	69000734	FLEX PIPE MM1800 WITH ELBOW+CHECK VALVE	1			
	69000735	FLEX PIPE MM2300 WITH ELBOW+CHECK VALVE	1			
19	69000722	FLEX PIPE MM.500	1			
	69000725	PIPE FLEX MM.730	1			
20	10060477	1-WAY CHECK.EXPANS.VALVE	1			
21	37040821	Screw M 8X22	1			
22	10705960	KIT PUMPING ELEMENT	1			
	69000269	PUMP VM 200L/H RANCILIO	1			
23	34011009	Motor 110 V CE / UL	1			
	34011102	VM MOTOR 230V	1			
24	10022320	BOILER 2GR	1			
	10022330	BOILER 3 GR.	1			
25	10043007	BOILER DISCHARGE PIPE COMPL.	1			



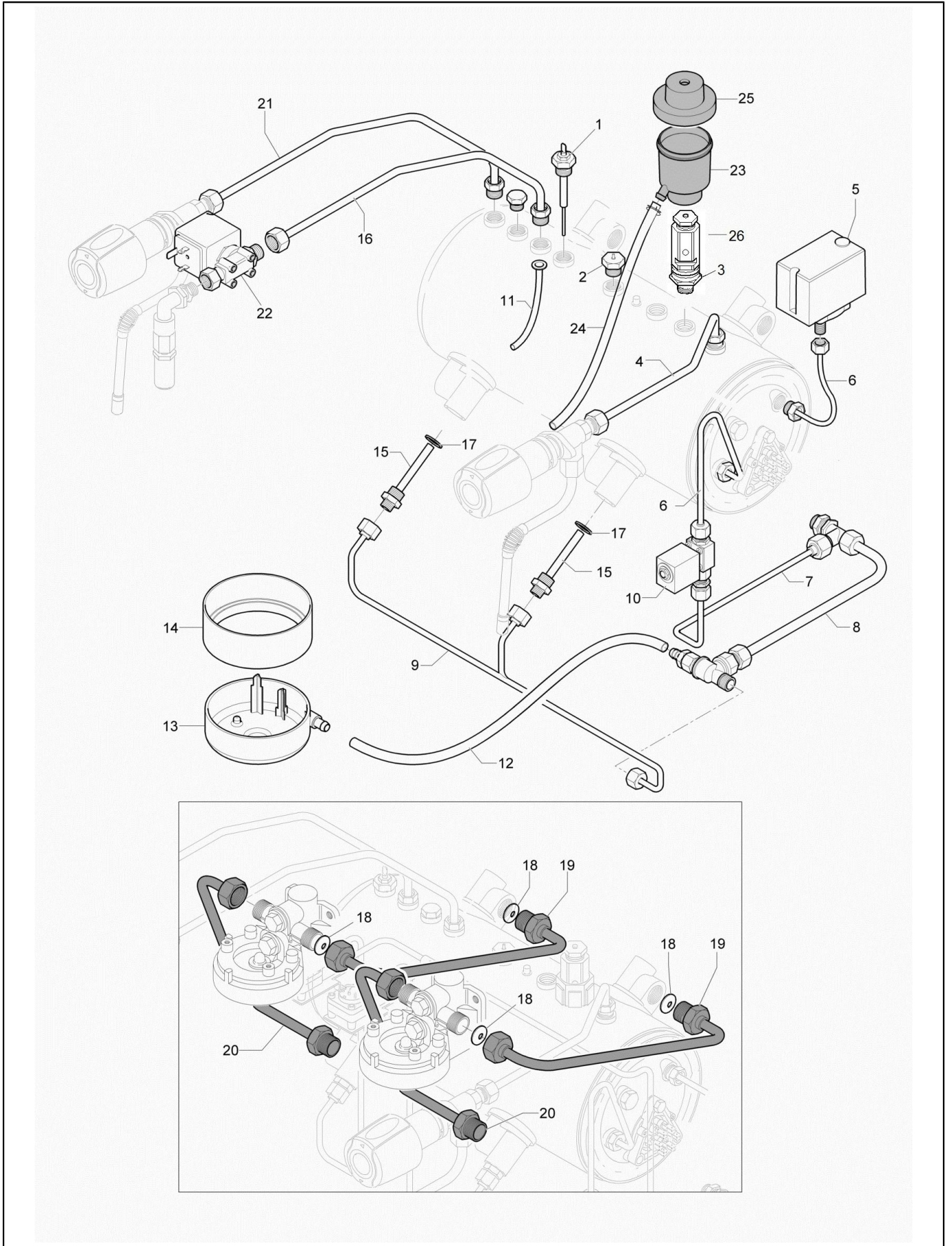
POS.	CODE	DESCRIPTION	QTY	START DATE	END DATE	NOTES
1	37040830	Screw M 8X30	1			
2	20112011	FILTER-HOLDER	1			
3	10051173	GROUP WITH INFUS.CHAMBER 230V	1			
	10051176	GROUP HEAD 120V	1			
4	36301034	GASKET GROUP PEROSSIDICA	1			
5	25139001	GROUP JETBREAKER	1			
6	40200005	SHOWER NET	1			
7	37030518	SHOWER SCREW	1			
8	36402005	EV GASKET	1			
9	37060413	Screw M 4 X 12	1			
10	34040008	Electrovalve 3 Way 220-240V 50Hz	1			
	34040107	Electrovalve 3 Way 110-120V 60Hz UL	1			
11	10090002	THERM.GROUP JETBREAKER	1			
13	40100001	1-CUP LOWER FILTER	1			
14	40100010	2 CUP FILTER	1			
15	25105005	FIX.FILTER SPRING	1			
16	10071137	2 CUP FILTER-HOLDER 09	1			
17	21100801	2 CUP BEAK MC/09	1			
18	10071118	1 CUP FILTER HOLDER 09	1			
19	21102601	1 CUP BEAK MC/09	1			
20	23000038	JET CAP GROUP	1			
22	20122652	INFUSION CHAMBER PLUG	1			
23	27400002	INFUS.CHAMBER TAP GASKET	1			
24	10060603	KIT GIGLEUR MC/08	1			
25	20200051	CORP GROUPE	1			
26	10060184	KIT ASSEMBLY FILTER HOLDER CAP	1			
27	10071100	FILTERHOLDER NO BECK	1			
28	10705091	KIT FILTER HOLDER TAP 07	1			
31	20200181	SPACE GROUP NICKEL	1			



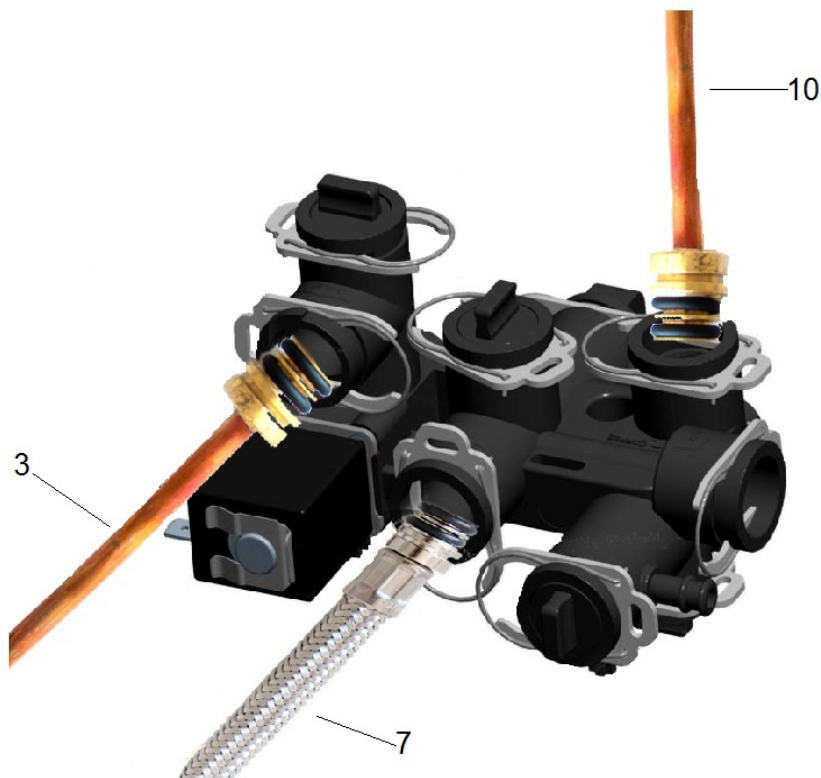
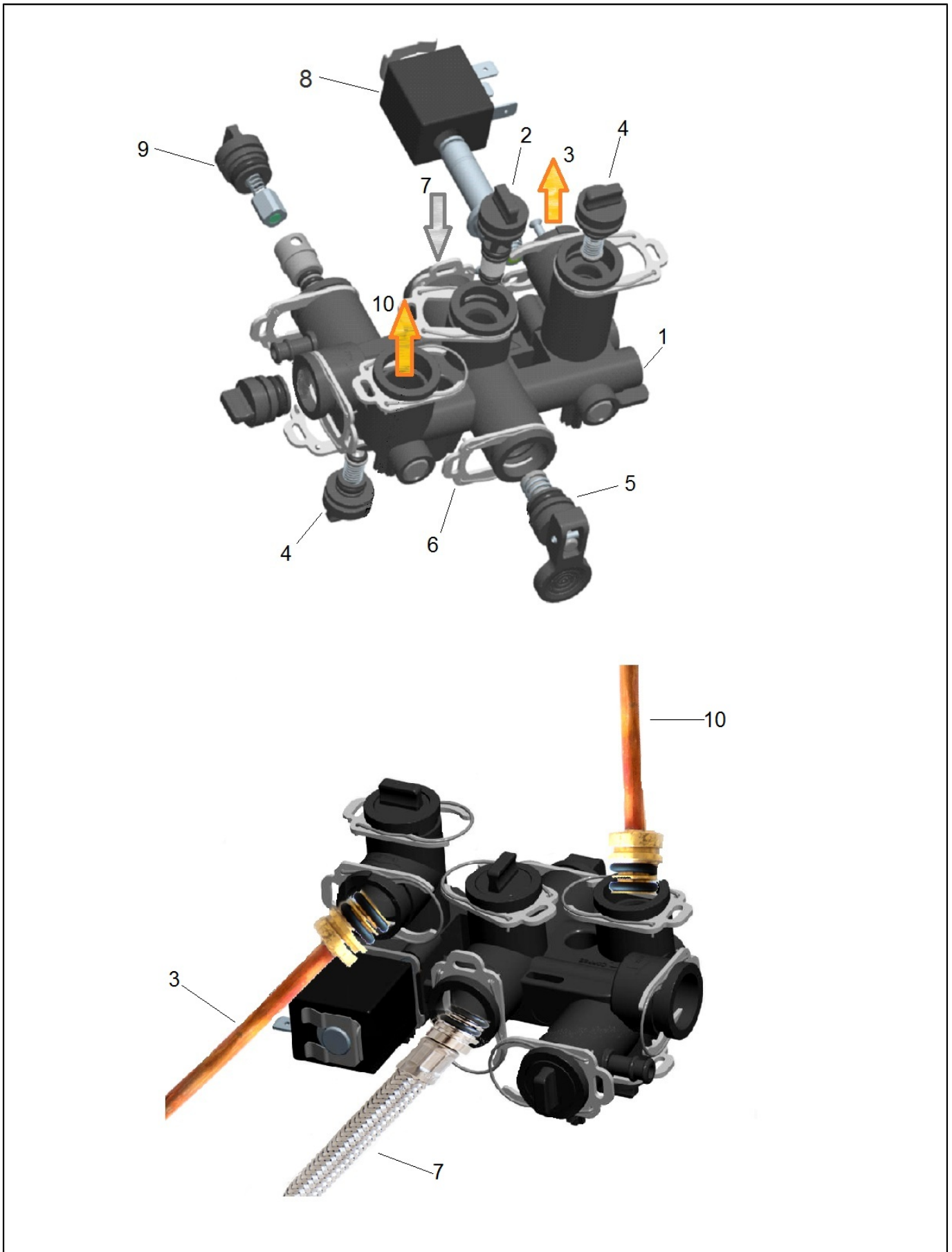
POS.	CODE	DESCRIPTION	QTY	START DATE	END DATE	NOTES
1	<a href="#">10705079</a>	JETBREAKER+SPRAYER	1			
2	<a href="#">25135020</a>	WATER SPRAYER FILTER C7	1			
3	<a href="#">36930017</a>	Joint	1			
4	<a href="#">36930016</a>	GASKET	1			
5	<a href="#">39110038</a>	Spring	1			
6	<a href="#">36220009</a>	Joint	1			
7	<a href="#">37431600</a>	OUTER TOOTHED Washer D16	1			
8	<a href="#">26220005</a>	Flat Nut 3/8	1			
9	<a href="#">10705174</a>	HOT WATER LANCE C7	1			



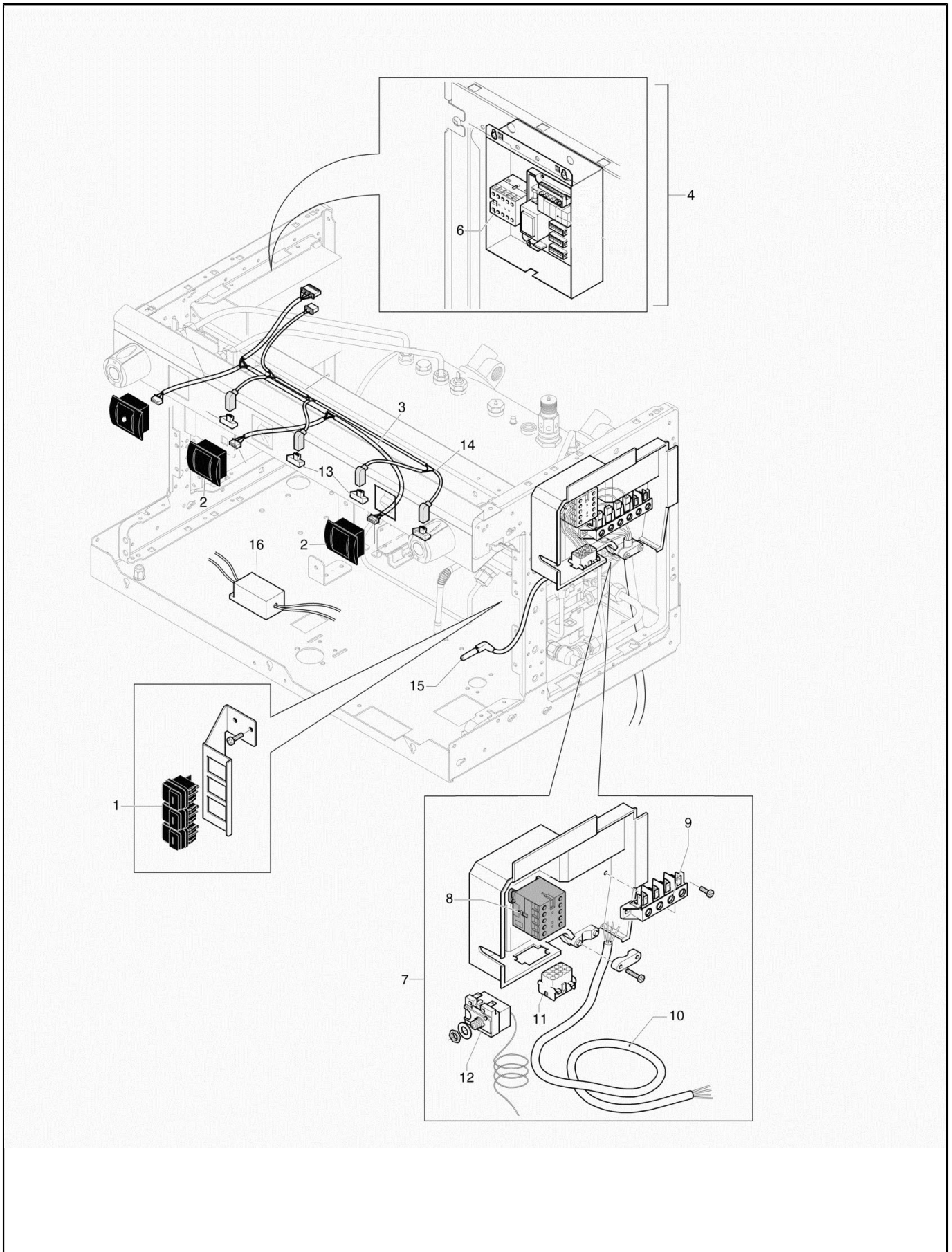
POS.	CODE	DESCRIPTION	QTY	START DATE	END DATE	NOTES
1	10706040	STEAM TAP MOVEMENT	1			
2	27400001	BUSH Gasket	1			
3	10060001	NUT+STEAM COCK GASKET	1			
4	10060002	ROD+Nut AND Steam COCK GASKET	1			
5	39110035	Water-Steam COCK Spring	1			
6	25132003	Spring GUIDE for NEW COCK	1			
7	36402003	GASKET OR 2037	1			
8	23224002	NEW COCK ROD BUSH	1			
9	23220029	REG BUSH for NEW COCK	1			
10	32239044	NEW Steam COCK Washer	1			
11	36230001	Teflon Washer	1			
12	37510700	ELASTIC RING D.7	1			
13	36301105	STEAM COCK NUT GASKET	1			
14	23000003	DISK BLOC NUT GR. CL 10/RE	1			
15	36220009	Joint	1			
16	36930016	GASKET	1			
17	39110038	Spring	1			
18	36930017	Joint	1			
20	10060183	Handle assay.	1			
21	10060103	STEAM TAP WITH A.V.VALVE	1			
22	23212033	NEW SPAYER LG 25	1			
23	10706003	STEAM PIPE	1			
24	10049056	STEAM PIPE BRASS	1			
25	36990004	Rubber for Steam PIPES	1			
26	10060019	Steam COCK BODY+ROD inox	1			
27	26220005	Flat Nut 3/8	1			
28	37431600	OUTER TOOTHED Washer D16	1			
29	25128014	STEAM WAND EXTENSION INOX	1			
30	10705180	KIT AV VALVE STEAM TAP	1			



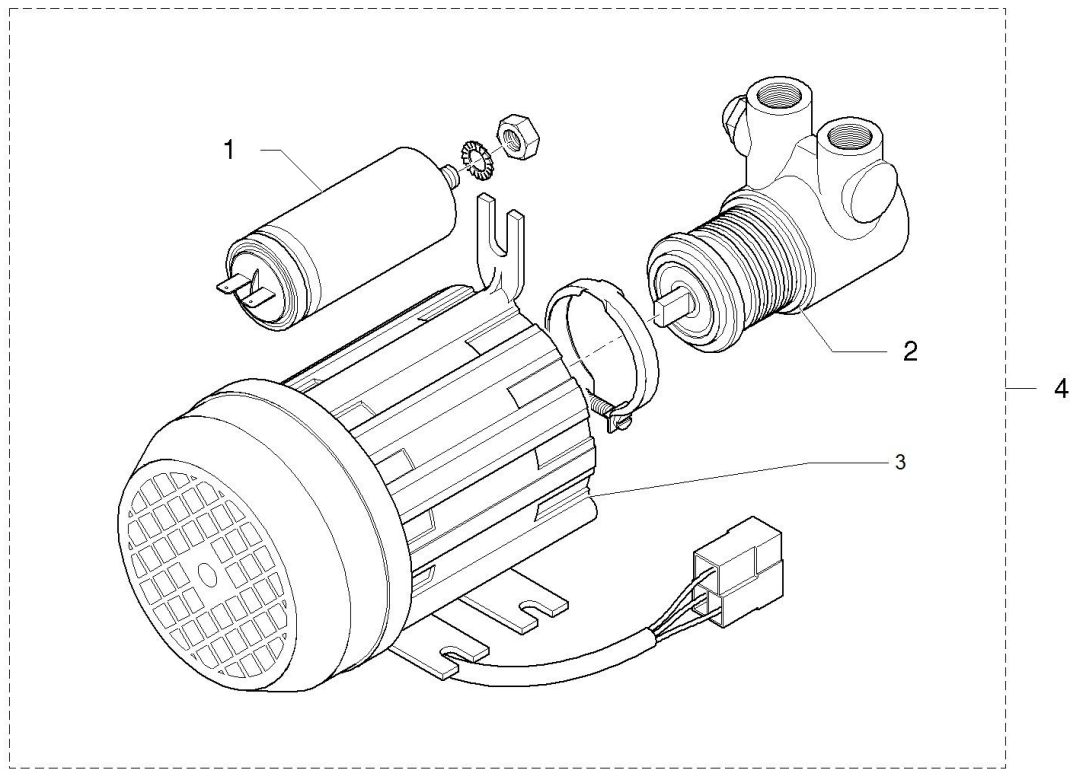
POS.	CODE	DESCRIPTION	QTY	START DATE	END DATE	NOTES
1	34200088	LEVEL PROBE ASSEMBLY	1			
2	10060059	Antivacuum Valve	1			
3	23000163	EXTENSION SECURITY VALVE 3/8" - 3/8"	1			
4	10043046	Pipe 8 x 6 x mmL = 270 mm	1			
5	34200109	MECH. PRESSURE SWITCH P/303	1			
	34200110	Pressure switch	1			
	34200112	PRESSURE Switch MECC.PARKER	1			
6	10042022	TUBE 6X4X230	1			
7	10042127	PIPE 6X4X180	1			
8	10043102	Pipe 8 x 6 x mmL = 130 mm	1			
9	10042014		1			
	10042130	PIPE 6X4X170	1			vers. COMPACT
	10046019	COLLECTOR PIPE	1			
	10046020	PIPE COLLECTOR 3 GR.	1			
10	10060503	Electrovalve with Check and Charge 110V	1			
	10060519	LEVEL WATER ELECTROVALV.SIRAI	1			
11	27120130	HOT WATER SUCTION PIPE	1			
12	38228002	Silicone hose D. 9 x 6mmL = 560 mm	1			
13	38123513	DRAIN TANK NSF	1			
14	38123922	EXTENSION DRAIN TRAY	1			
15	10042172	Injector Pipe	1			
16	10043039	Pipe 8 x 6 x mmL = 350 mm	1			
17	27350001	GASKET 3/8"	1			
18	23125009	GROUP REDUCTION D3.5	1			
19	10044027	CIRC.PIPE D.10X8 F1/2-M1/2 284mm	1			
20	10044026	CIRC. Pipe 10X8 F1/2-M1/2 235mm	1			
21	81330111	Steam COCK Tap SX	1			
22	10060485	Electrovalve Hot Water 110V	1			
	10060518	Electrovalve Hot Water 230V	1			
23	38123947	DRAIN TANK SECURITY VALVE	1			
24	38228003	Silicone hose D. 9 x 6mmL = 480 mm	1			
25	38123946	SECURITY VALVE TOP	1			
26	10060525	SAFETY VALVE 1,9 BAR 3/8"	1			



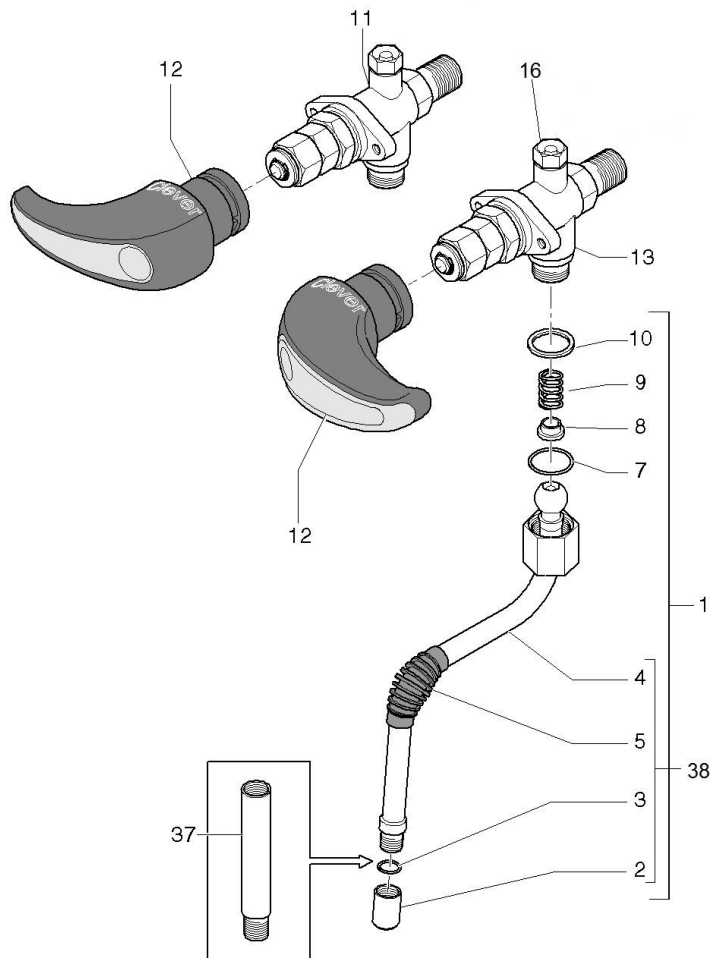
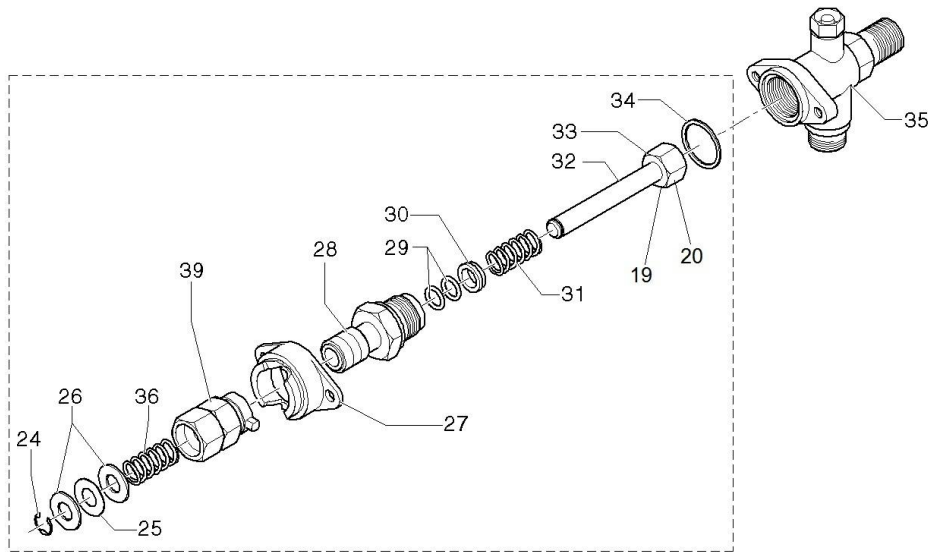
POS.	CODE	DESCRIPTION	QTY	START DATE	END DATE	NOTES
1	10700300	Starter kit Hydraulic Module 220-240v	1			
	10700323	starter kit Hydraulic Module 110-120v	1			
	10705937	HYDRAULIC BLOCK MC 110V	1			
	10705938	HYDRAULIC BLOCK MC 230V	1			
2	69140006	filter hydraulic module	1			
3	10042026	PIPE 6X4X230	1			
	36404052	O-ring 9,16 x 2,62 fpm 3037	1			
4	69140007	check valve hydraulic module	1			
	69140016	check valve cap	1			
	69140017	check valve piston	1			
	69140018	check valve spring	1			
5	69140008	manual tap hydraulic module	1			
6	69140012	closing bracket hydraulic module	1			
7	36404052	O-ring 9,16 x 2,62 fpm 3037	1			
	69000730	flex pipe m3/8 1060 mm elbow	1			3GR
	69000731	flex pipe m3/8 830 mm elbow	1			2GR+COMP.
8	69140014	operator kit 220-240v hydraulic module	1			
	69140015	operator kit 110-120v hydraulic module	1			
9	69140009	pressure relief valve hydraulic module	1			
	69140010	spring pressure relief valve hydraulic module	1			
	69140011	plunger pressure relief valve hydraulic module	1			
	69140019	pressure relief valve cap	1			
10	10046048	collector pipe hydraulic mod. classe 7 compact s	1			COMPACT VERS.
	10046049	collector pipe 2gr hydraulic mod. classe 7 s	1			
	10046050	collector pipe 3gr hydraulic mod. classe 7 s	1			
	36404052	O-ring 9,16 x 2,62 fpm 3037	1			



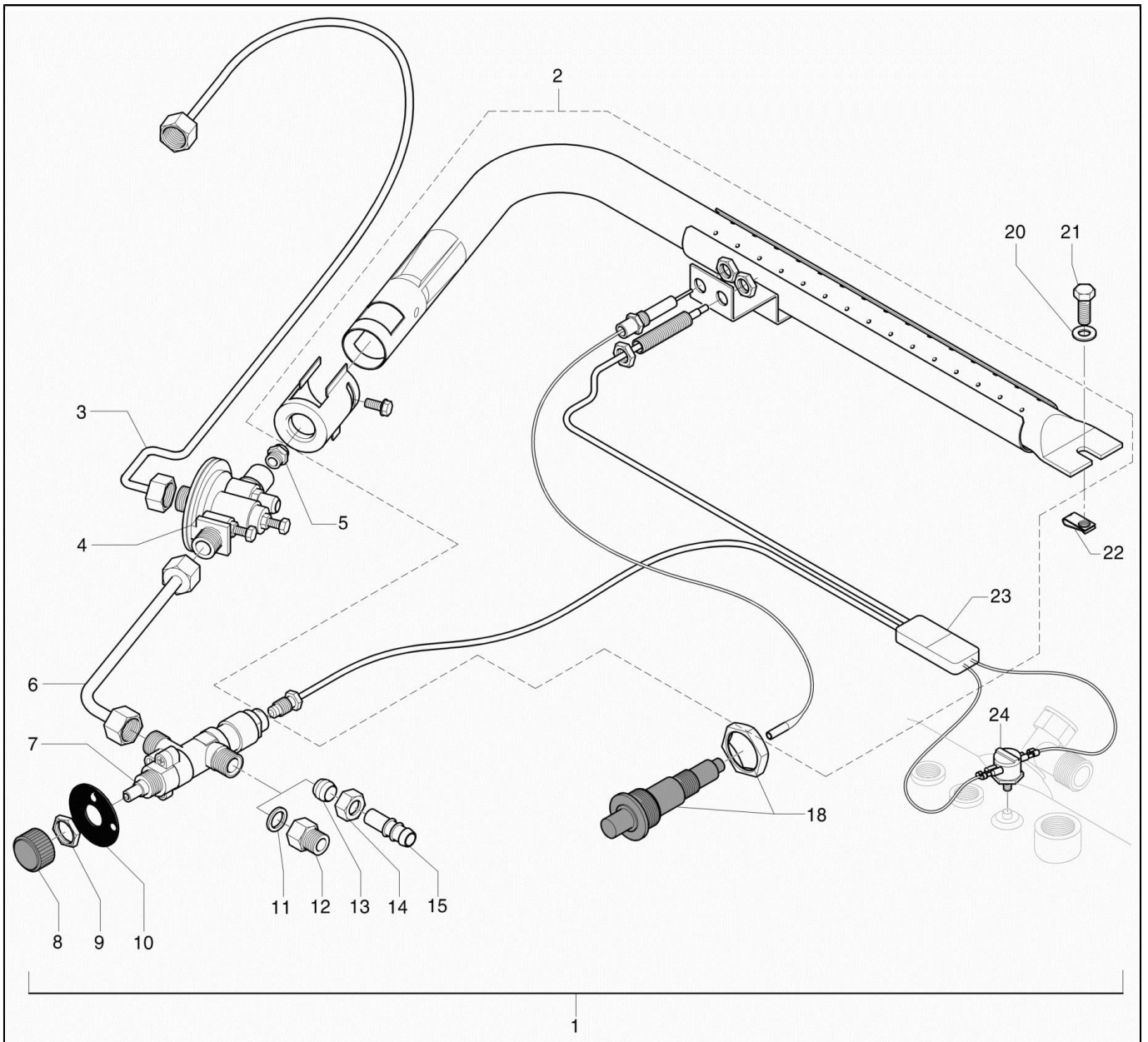
POS.	CODE	DESCRIPTION	QTY	START DATE	END DATE	NOTES
1	34030970	GREEN SWITCH	1			
2	10705679	COFFEE SWITCH C7S	1			
3	10110753	KEYBOARD WIRING 1-2GR	1			
	10110754	KEYBOARD WIRING 3-4GR	1			
4	34070081	KIT POWER BOARD 230v Classe 7/Classe 9	1			
6	34200332	MINI-CONTACTOR	1			
7	10110359	ELECTRIC BOX 230V	1			
8	34200332	MINI-CONTACTOR	1			
9	34150026	CLAMP 4 POSITION	1			
10	34300073	Cable	1			
	34300074	CABLE 3 WIRES 2,5	1			
11	10110655	WIRING POWER	1			
12	34200097	SAVE- HEATING ELEMENT EGO MONOF.	1			
13	10705685	LED GROUP	1			
14	10110746	LIGHT WIRING 2GR	1			
	10110747	WIRING LIGHT 3GR	1			
15	34030116	NEON LAMP	1			
16	10705688	LIGHT TRANSFORMER	1			



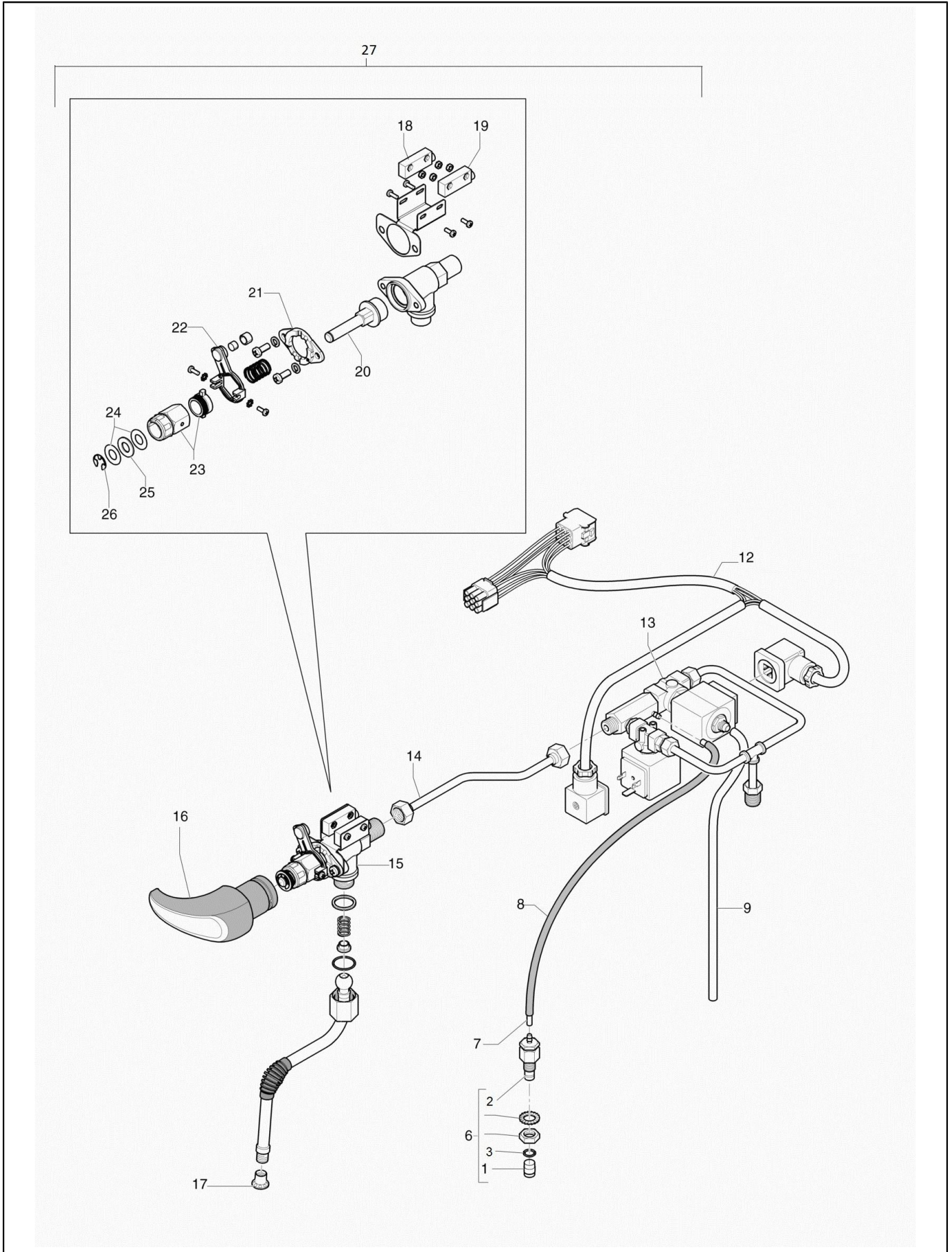
POS.	CODE	DESCRIPTION	QTY	START DATE	END DATE	NOTES
1	<a href="#">34020020</a>	CONDENSER 8 MF RPM	1			
2	<a href="#">10705960</a>	KIT PUMPING ELEMENT	1			
	<a href="#">69000006</a>	PUMP VM21 Z11 NSF	1			
	<a href="#">69000269</a>	PUMP VM 200L/H RANCILIO	1			
3	<a href="#">34011102</a>	VM MOTOR 230V	1			
4	<a href="#">13077071</a>	PUMP 230V 1/2GR	1			



POS.	CODE	DESCRIPTION	QTY	START DATE	END DATE	NOTES
1	10706003	STEAM PIPE	1			CLASSE 7 / EPOCA / CLASSE 6
2	23212035	STEAM SPRAYER LG44 D1.5	1			
3	36404022	O-ring seal	1			
4	10049056	STEAM PIPE BRASS	1			CLASSE 7 / EPOCA / CLASSE 6
5	36990004	Rubber for Steam PIPES	1			
7	36930017	Joint	1			
8	36930016	GASKET	1			
9	39110038	Spring	1			
10	36220009	Joint	1			
11	10060104	FAST STEAM COCK SX + A.V.VALVE	1			
12	10060181	HANDLE CLEVER	1			
13	10060106	FAST STEAM COCK DX + A.V.VALVE	1			
16	10705180	KIT AV VALVE STEAM TAP	1			
19	36301105	STEAM COCK NUT GASKET	1			
20	23000003	DISK BLOC NUT GR. CL 10/RE	1			
24	37510700	ELASTIC RING D.7	1			
25	36230001	Teflon Washer	1			
26	32239044	NEW Steam COCK Washer	1			
27	20112601	CAMS SX STEAM COCK	1			
	20112603	CAMS DX STEAM COCK	1			
28	23000047	COCK ROD BUSH	1			
29	36402003	GASKET OR 2037	1			
30	25132003	Spring GUIDE for NEW COCK	1			
31	39110035	Water-Steam COCK Spring	1			
32	10060002	ROD+Nut AND Steam COCK GASKET	1			
33	10060001	NUT+STEAM COCK GASKET	1			
34	27400001	BUSH Gasket	1			
35	10705014	STEAM COCK BODY+VALVE A.VV	1			
36	39110036	SPRING STEAM COCK	1			
37	25128014	STEAM WAND EXTENSION INOX	1			
	25128015	WAND EXTENTION INOX	1			
39	10060005	NUT STEAM COCK	1			



POS.	CODE	DESCRIPTION	QTY	START DATE	END DATE	NOTES
1	10705096	KIT GAS PLANT 2GR.	1			
	10705097	KIT GAS PLANT 3-4GR.	1			
2	30300075	GR.GAS BURNER 2GR.	1			
	30300076	GR.GAS BURNER 3-4GR	1			
3	10041031	PIPE 4X3X600	1			
4	10060815	GAS REGULATOR	1			
5	23210031	GAS JET DIAM.0,90	1			
	23210032	GAS JET DIAM.1,02	1			
	23210033	GAS JET DIAM.1,35	1			
	23210037	GAS JET DIAM. 0,75	1			
6	10042101	PIPE 6X4X300	1			
	10042160	PIPE 6X4X130 F1/4-F1/4	1			
7	69000251	GAS COCK	1			
8	38123567	HANDLE GAS COCK	1			
9	69000019	NUT X COCK GAS	1			
10	42300003	PLATE GAS	1			
11	36240008	GASKET D,11,5X8 SP,1,5	1			
12	23222039	REDUCER 1/2M-1/4F	1			
13	69000117	JUNCTION ELEMENT PIPE D.8	1			
14	69000116	Nut	1			
15	23115007	GAS RUBBER HOLDER	1			
18	69000020	PIEZOELECT.LIGHTER	1			
20	37410600	Plane Washer DIAM. 6	1			
21	37040615	SCREW M 6 X 16	1			
22	37900822	PLATE UC/M6/15/12	1			
23	69000097	THERMOCOUPLE	1			
24	34200053	THERMOSTAT 165^	1			



POS.	CODE	DESCRIPTION	QTY	START DATE	END DATE	NOTES
1	23000092	Flow limiter D. 0,25 mm	1			
	23000093	Flow limiter D. 0,35 mm	1			
2	36230017	Duckbill	1			
3	36404013	Gasket OR 2031	1			
6	10705320	AIR INPUT VALVE	1			
7	38228016	SILICON PIPE D5X3	1			
8	34209124	SHEATH PLAITED POLIESTER UL94	1			
9	38228002	Silicone hose D. 9 x 6mmL = 560 mm	1			
12	10110667	WIRING YOUSTEAM C7-C9 S	1			
13	10705577	EV VENTURI SYSTEM	1			
	10705578	ASSY EV VENTURI 110V YOUSTEAM	1			
14	10043067	PIPE 8X6X210 F3/8-F3/8 2-3-4GR.	1			
15	10060108	STEAM TAP+REED YOUSTEAM	1			
16	10060187	YOUSTEAM HANDLE	1			
17	23000181T	C7 YOUSTEAM SPRAYER	1			
18	34020121	MAGNETIC SENSOR YOUSTEAM	1			
19	34020119	MAGNETIC SENSOR	1			
20	23000155	STEAM TAP BAR YOUSTEAM	1			
21	20112604	CAMME TAP YOUSTEAM	1			
22	38123929	SUPPORT WITH MAGNET	1			
23	10060007	ASSEMBLED STEAM TAP BUSH	1			
24	32239044	NEW Steam COCK Washer	1			
25	36230001	Teflon Washer	1			
26	37510700	ELASTIC RING D.7	1			
27	10700267	KIT YOUSTEAM C7/S 220v	1			
	10705187	KIT INSTAL.YOUSTEAM C7/S 110V	1			

Code	No. table	Pos.
10022320	2003	24
10022330	2003	24
10041031	4001	3
10041042	2003	2
10042014	2001	9
10042022	2001	6
10042026	2014	3
10042101	4001	6
10042127	2001	7
10042130	2001	9
10042160	4001	6
10042172	2001	15
10043007	2003	25
10043039	2001	16
10043046	2001	4
10043067	4003	14
10043102	2001	8
10044026	2001	20
10044027	2001	19
10046019	2001	9
10046020	2001	9
10046048	2014	10
10046049	2014	10
10046050	2014	10
10049056	2007	24
10049056	4000	4
10051173	2004	3
10051176	2004	3
10060001	2007	3
10060001	4000	33
10060002	2007	4
10060002	4000	32
10060005	4000	39
10060007	4003	23
10060019	2007	26
10060050	2003	1
10060059	2001	2
10060103	2007	21
10060104	4000	11
10060106	4000	13
10060108	4003	15
10060181	4000	12
10060183	2007	20
10060184	2004	26
10060187	4003	16
10060477	2003	20
10060485	2001	22
10060503	2001	10
10060518	2001	22
10060519	2001	10
10060525	2001	26
10060525	2003	3
10060603	2004	24
10060815	4001	4
10071100	2004	27
10071118	2004	18
10071137	2004	16
10090002	2004	11
10110359	3001	7
10110655	3001	11
10110667	4003	12
10110746	1002	5
10110746	3001	14
10110747	1002	5
10110747	3001	14
10110753	3001	3
10110754	3001	3

Code	No. table	Pos.
10700267	4003	27
10700276	1000	19
10700277	1000	19
10700279	1000	19
10700300	2014	1
10700323	2014	1
10705014	4000	35
10705079	2006	1
10705091	2004	28
10705096	4001	1
10705097	4001	1
10705174	2006	9
10705180	2007	30
10705180	4000	16
10705187	4003	27
10705320	4003	6
10705461	1000	3
10705462	1000	5
10705577	4003	13
10705578	4003	13
10705679	1002	7
10705679	1005	5
10705679	3001	2
10705680	1002	3
10705680	1005	3
10705685	1002	4
10705685	3001	13
10705688	3001	16
10705937	2014	1
10705938	2014	1
10705960	2003	22
10705960	3003	2
10706003	2007	23
10706003	4000	1
10706040	2007	1
13077071	3003	4
20112011	2004	2
20112601	4000	27
20112603	4000	27
20112604	4003	21
20122652	2004	22
20123504	2003	12
20200051	2004	25
20200181	2004	31
21100801	2004	17
21102601	2004	19
23000003	2007	14
23000003	4000	20
23000038	2004	20
23000047	4000	28
23000056	2003	7
23000092	4003	1
23000093	4003	1
23000155	4003	20
23000163	2001	3
23000181T	4003	17
23115007	4001	15
23120025	2003	9
23125009	2001	18
23210031	4001	5
23210032	4001	5
23210033	4001	5
23210037	4001	5
23212033	2007	22
23212035	4000	2
23220001	2003	14
23220029	2007	9

Code	No. table	Pos.
23222014	2003	13
23222039	4001	12
23224002	2007	8
25105005	2004	15
25128014	2007	29
25128014	4000	37
25128015	4000	37
25132003	2007	6
25132003	4000	30
25135020	2006	2
25139001	2004	5
26220005	2006	8
26220005	2007	27
27120130	2001	11
27350001	2001	17
27350001	2003	11
27400001	2007	2
27400001	4000	34
27400002	2004	23
30300075	4001	2
30300076	4001	2
32239044	2007	10
32239044	4000	26
32239044	4003	24
32331178	1000	15
32331350	1000	9
32331351	1000	9
32331352	1000	9
32331648	1005	4
32331649	1002	6
32331650	1002	6
32331663	1000	1
32331664	1000	1
32331665	1000	1
32331671	1000	2
32331672	1000	2
32331673	1000	2
32331675	1000	10
32331676	1000	10
32331677	1000	10
32331683	1000	8
32331684	1000	8
32331685	1000	8
32551095	1000	20
32551096	1000	20
32551097	1000	20
33122002	1000	14
33122003	1000	14
33323300	2003	5
33323430	2003	5
34011009	2003	23
34011102	2003	23
34011102	3003	3
34020020	3003	1
34020119	4003	19
34020121	4003	18
34030110	1000	18
34030116	3001	15
34030970	3001	1
34040008	2004	10
34040107	2004	10
34070081	3001	4
34150026	3001	9
34200053	4001	24
34200088	2001	1
34200097	3001	12
34200109	2001	5

Code	No. table	Pos.
34200110	2001	5
34200112	2001	5
34200332	3001	6
34200332	3001	8
34209124	4003	8
34300073	3001	10
34300074	3001	10
35002508	2003	16
35002509	2003	15
36220009	2006	6
36220009	2007	15
36220009	4000	10
36230001	2007	11
36230001	4000	25
36230001	4003	25
36230017	4003	2
36240008	4001	11
36301034	2004	4
36301105	2007	13
36301105	4000	19
36402003	2007	7
36402003	4000	29
36402005	2004	8
36404007	2003	8
36404013	4003	3
36404022	4000	3
36404052	2014	10
36404052	2014	3
36404052	2014	7
36930012	2003	4
36930016	2006	4
36930016	2007	16
36930016	4000	8
36930017	2006	3
36930017	2007	18
36930017	4000	7
36990004	2007	25
36990004	4000	5
37030518	2004	7
37030523	1000	22
37040615	4001	21
37040821	2003	21
37040830	2004	1
37060413	2004	9
37154212	1000	23
37175012	1000	21
37410600	4001	20
37431600	2006	7
37431600	2007	28
37510700	2007	12
37510700	4000	24
37510700	4003	26
37900808	1000	16
37900822	4001	22
38120523	1000	12
38123513	2001	13
38123567	4001	8
38123568	1000	13
38123665	2003	6
38123666	1000	11
38123922	2001	14
38123929	4003	22
38123941	1000	4
38123942	1000	6
38123946	2001	25
38123947	2001	23
38228002	2001	12

Code	No. table	Pos.
38228002	4003	9
38228003	2001	24
38228016	4003	7
39110035	2007	5
39110035	4000	31
39110036	4000	36
39110038	2006	5
39110038	2007	17
39110038	4000	9
39110063	2003	10
40100001	2004	13
40100010	2004	14
40200005	2004	6
42300003	4001	10
69000006	3003	2
69000019	4001	9
69000020	4001	18
69000097	4001	23
69000116	4001	14
69000117	4001	13
69000243	2003	17
69000251	4001	7
69000269	2003	22
69000269	3003	2
69000722	2003	19
69000725	2003	19
69000730	2014	7
69000731	2014	7
69000734	2003	18
69000735	2003	18
69140006	2014	2
69140007	2014	4
69140008	2014	5
69140009	2014	9
69140010	2014	9
69140011	2014	9
69140012	2014	6
69140014	2014	8
69140015	2014	8
69140016	2014	4
69140017	2014	4
69140018	2014	4
69140019	2014	9
81330111	2001	21



## Headquarters, Production Plant and R&D Centers      Worldwide Branch Locations

Rancilio Group s.p.a.  
Viale della Repubblica 40  
20010 Villastanza di Parabiago  
Milano Italy  
Tel +39 0331 408200  
Fax +39 0331 551437  
[www.ranciliogroup.com](http://www.ranciliogroup.com)  
[info@ranciliogroup.com](mailto:info@ranciliogroup.com)

Egro Suisse AG  
Bahnhofstrasse 66  
5605 Dottikon, Switzerland  
Tel. +41 (0)56 616 95 95  
Fax +41 (0)56 616 95 97  
[www.egrocoffee.com](http://www.egrocoffee.com)  
[info@egrocoffee.com](mailto:info@egrocoffee.com)

### SPAIN

RancilioGroup Espana, s.a.  
Gran Via de Carlos III, 84 3ª  
Edificio Trade  
08028 Barcelona Spain  
Tel. +34 902 884 275  
Tel. +34 934 923 414  
Fax +34 93 496 57 01  
[www.ranciliogroup.com](http://www.ranciliogroup.com)  
[info-es@ranciliogroup.com](mailto:info-es@ranciliogroup.com)

### PORTUGAL

Rancilio Group Portugal Lda  
Estrada da Falagueira nº 68 E  
2700-365 Amadora-Lisboa Portugal  
Tel. +35 121 019 1091  
Fax +35 121 019 1091  
[www.ranciliogroup.com](http://www.ranciliogroup.com)  
[info-pt@ranciliogroup.com](mailto:info-pt@ranciliogroup.com)

### GERMANY

Rancilio Group Deutschland GmbH  
Talstrasse 27  
D-97990 Weikersheim  
Ph. +49 7934 99 29 30  
Fax +49 7934 99 29 330  
[www.egro-deutschland.de](http://www.egro-deutschland.de)  
[info-de@ranciliogroup.com](mailto:info-de@ranciliogroup.com)

### SWITZERLAND

Egro Suisse AG  
Bahnhofstrasse 66  
5605 Dottikon, Switzerland  
Tel. +41 (0)56 616 95 95  
Fax +41 (0)56 616 95 97  
[www.egrosuisse.ch](http://www.egrosuisse.ch)  
[info@egrosuisse.ch](mailto:info@egrosuisse.ch)

### USA/CANADA

RancilioGroup North America Inc.  
1340 Internationale Parway / Suite 200  
Woodridge, IL 60517 USA  
Ph: +1 630 914-7900  
Fax: +1 630 914 7901  
Toll Free: +1 877 726 2454  
[www.ranciliogroup.com](http://www.ranciliogroup.com)  
[info@ranciliogroupna.com](mailto:info@ranciliogroupna.com)

### Sales Representative Office

### ASIA

Asian Market Access HK Ltd  
601 Tak Woo House  
17-19 D'aguilar Street Central  
Hong Kong  
Ph. +852 2521 7839  
Fax +852 2521 5787  
[www.ranciliogroup.com](http://www.ranciliogroup.com)

