



*coffeeing the World*

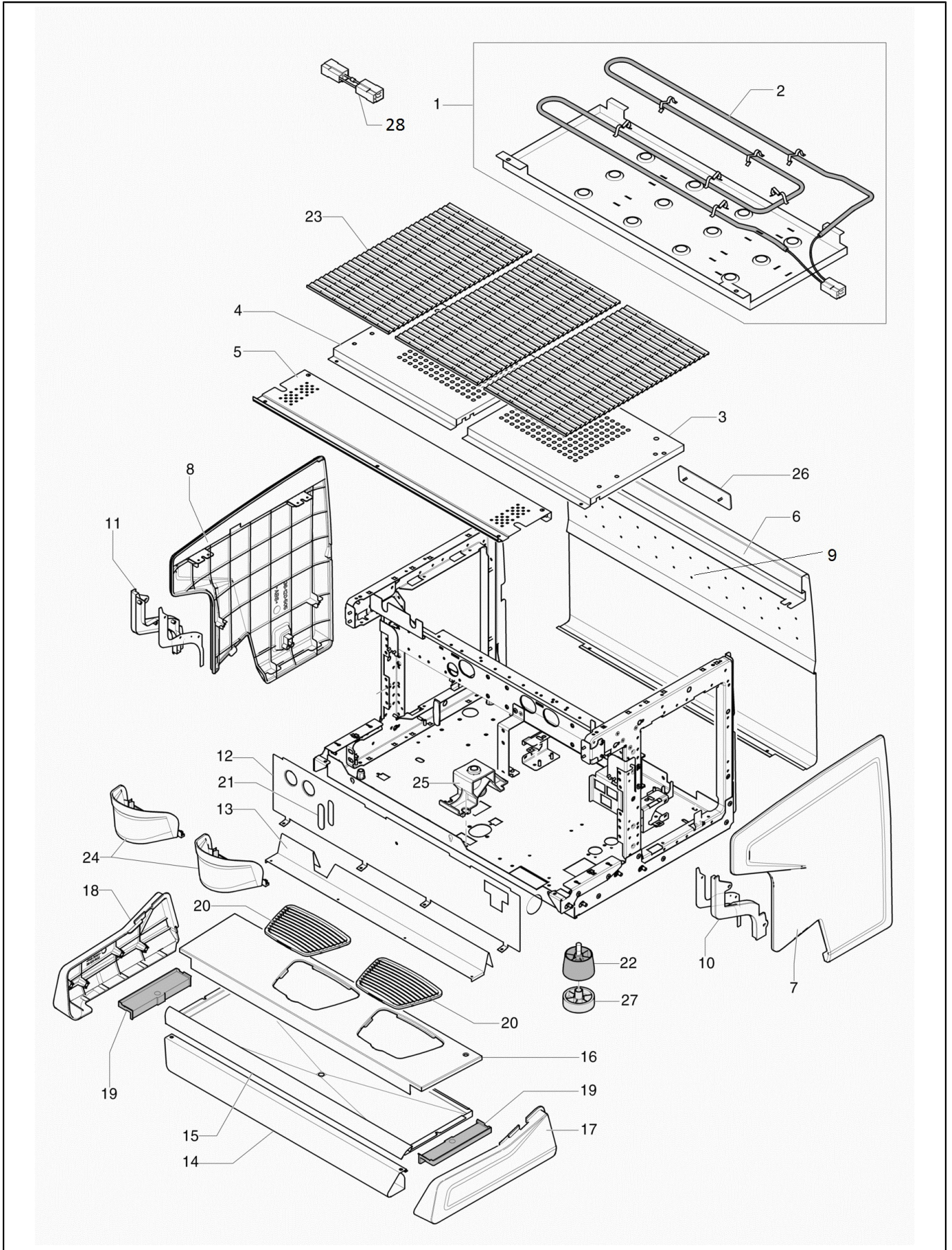
# CLASSE 9 USB



## CLASSE 9

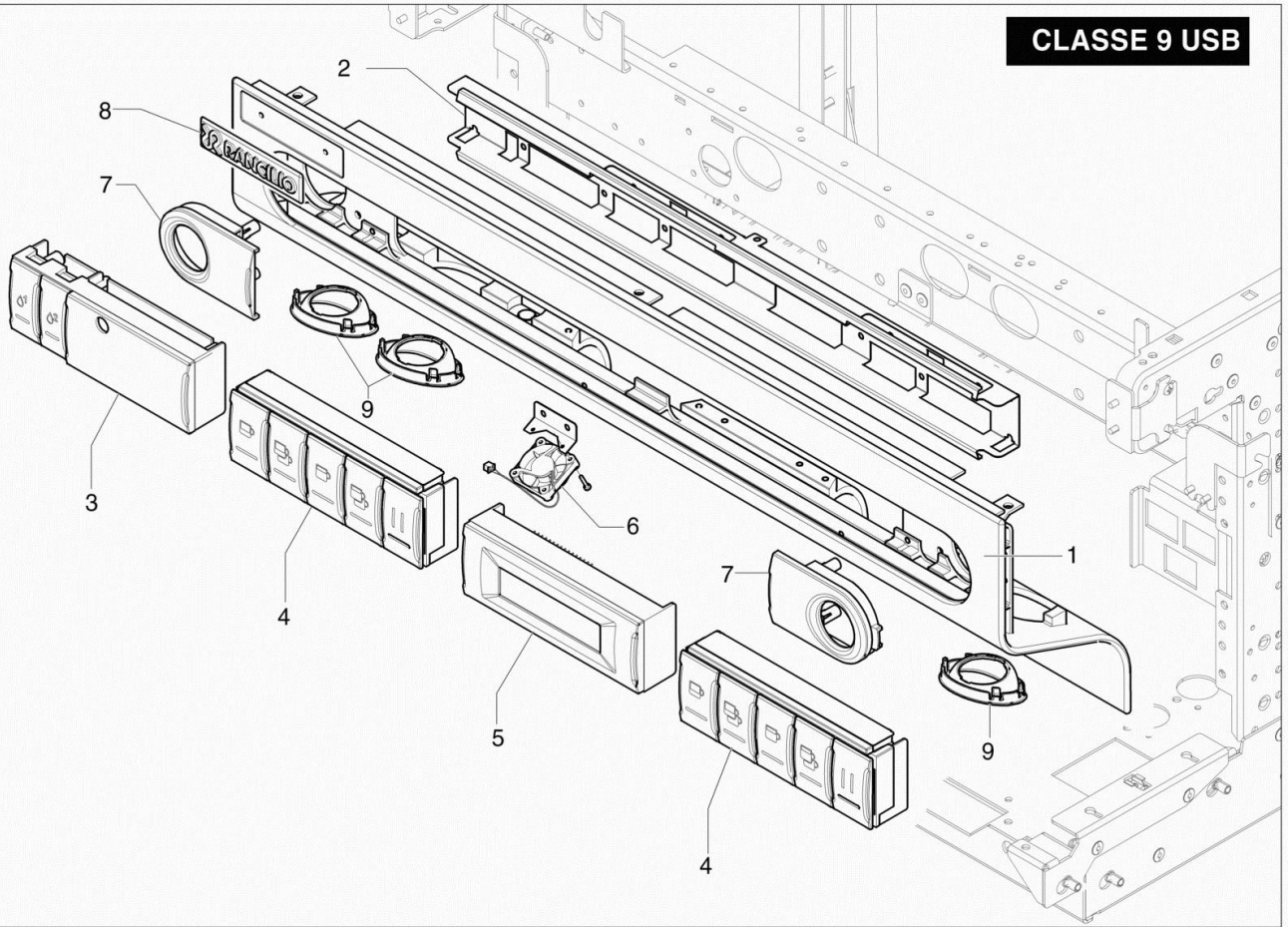
## Index

Table 1000 - Body.....	4
Table 1001 - CONTROL PANEL USB.....	6
Table 1003 - HOUSING TALL.....	8
Table 2000 - HYDRAULIC CIRCUIT USB.....	10
Table 2013 - HYDRAULIC MODULE USB/XCELSIUS.....	12
Table 2003 - HEATING ELEMENT/CHECK EXP. VALVE.....	14
Table 2004 - BREWING GROUP 24V.....	16
Table 2007 - Water spout .....	18
Table 2008 - Clever Steam Tap .....	20
Table 2010 - LEVEL INDICATOR.....	22
Table 3000 - ELECTRIC/ELECTRONIC PARTS USB.....	24
Table 3003 - Motor and pump unit.....	26
Table 4000 - ISTEAM CLASSE 9.....	28
Alphanumeric index.....	30

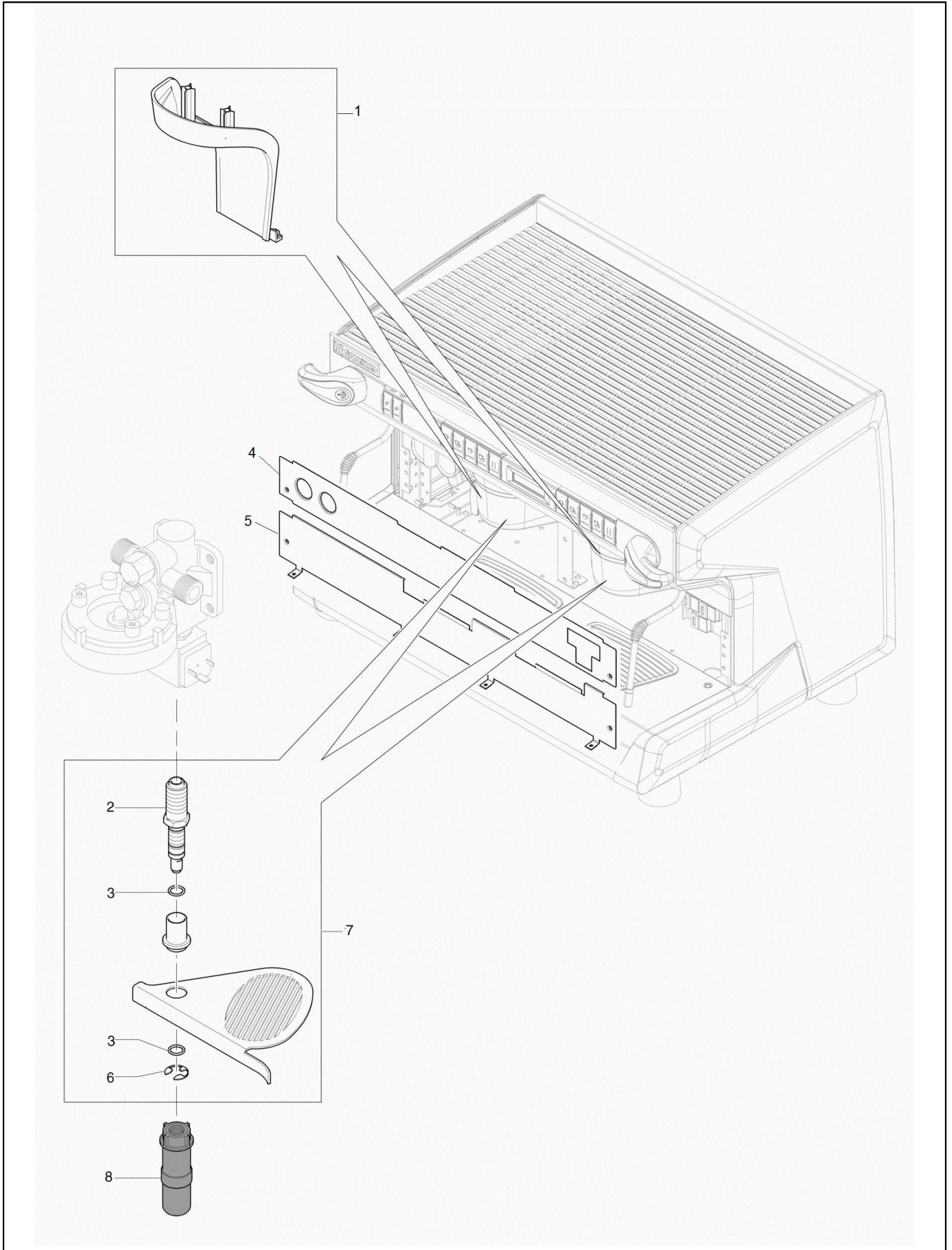


POS.	CODE	DESCRIPTION	NOTES
1	10700276	KIT CUPWARMER 2GR + SCREWS SET	
	10700277	KIT CUPWARMER 3GR + SCREWS SET	
	10700278	KIT CUPWARMER 4GR + SCREWS SET	
2	33122002	CUP-WARMER RESISTANCEANCE 230V 2GR	
	33122003	CUP-WARMER RESISTANCEANCE 230V 3GR	
	33122004	CUP-WARMER RESISTANCEANCE 230V 4GR	
3	32330971	HEATING CUP GRATE DX	
	32330973	HEATING CUP GRATE	grate 3/4gr
4	32330972	HEATING CUP GRATE SX	
5	32331726	UPPER GROUP BAND 2GR	
	32331727	UPPER GROUP BAND 3GR	
	32331728	UPPER GROUP BAND 4GR	
6	32331730	FRONTAL 2GR C9	
	32331731	FRONTAL 3GR C9	
	32331732	FRONTAL 4GR C9	
7	10905015	RIGHT SIDE PANEL C9	
8	10905016	LEFT SIDE PANEL C9	
10	10705681	LED BAR RIGHT	
11	10705682	LED BAR LEFT	
12	32331714	TEMPLATE 2GR	
	32331715	TEMPLATE 3GR	
	32331716	TEMPLATE 4GR.	
13	32331710	PROTECTION DRAIN TRAY	
	32331711	PROTECTION DRAYN TRAY 3GR	
	32331712	PROTECTION DRAYN TRAY 4GR	
14	32331702	LOWER DRAIN TRAY BAND 2GR	
	32331703	LOWER DRAIN TRAY BAND 3GR	
	32331704	LOWER DRAIN TRAY BAND 4GR	
15	32331706	DRAIN TRAY 2GR	
	32331707	DRAIN TRAY 3GR	
	32331708	DRAIN TRAY 4GR	
16	32331736	CUP TRAY 2GR C9	
	32331737	CUP TRAY 3GR C9	
	32331738	CUP TRAY 4GR C9	
17	38120501	RIGHT BASIN SIDE	
18	38120502	LEFT BASIN SIDE	
19	38120503	LATERAL GRATE SUPPORT C9	
20	38123666	CUP TRAY MC/07	
21	38123856	LEVEL WATCH GLASS	
22	38123568	COFFEE MACHINE LEG	
23	38123921	HEATING CUPS GRATE	
24	38120541	GROUP COVER CLASSE 9 ASSY.	
25	38120511	DRAIN TRAIN CANALIZER	
26	42200123	RANCILIO PLATE MM.145	
27	38123852	RISER FOR COFFEE MACHINE LEG	
28	10110427	WIRING FOR RES.REDUCER DE	
29	37154212	SCREW 4,2X13	
30	37030509	SCREW M5 X 10 TCB PH INOX	

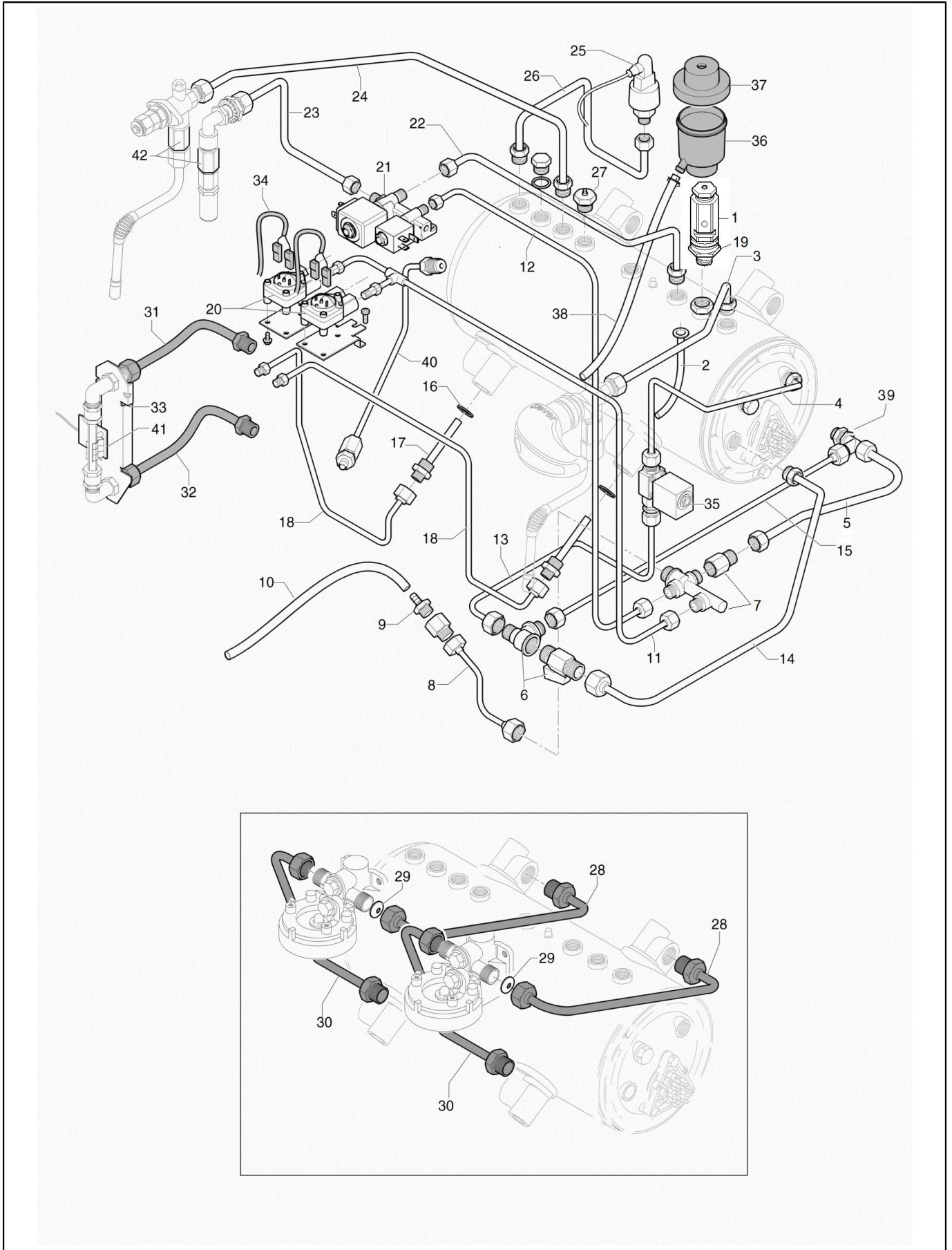
**CLASSE 9 USB**



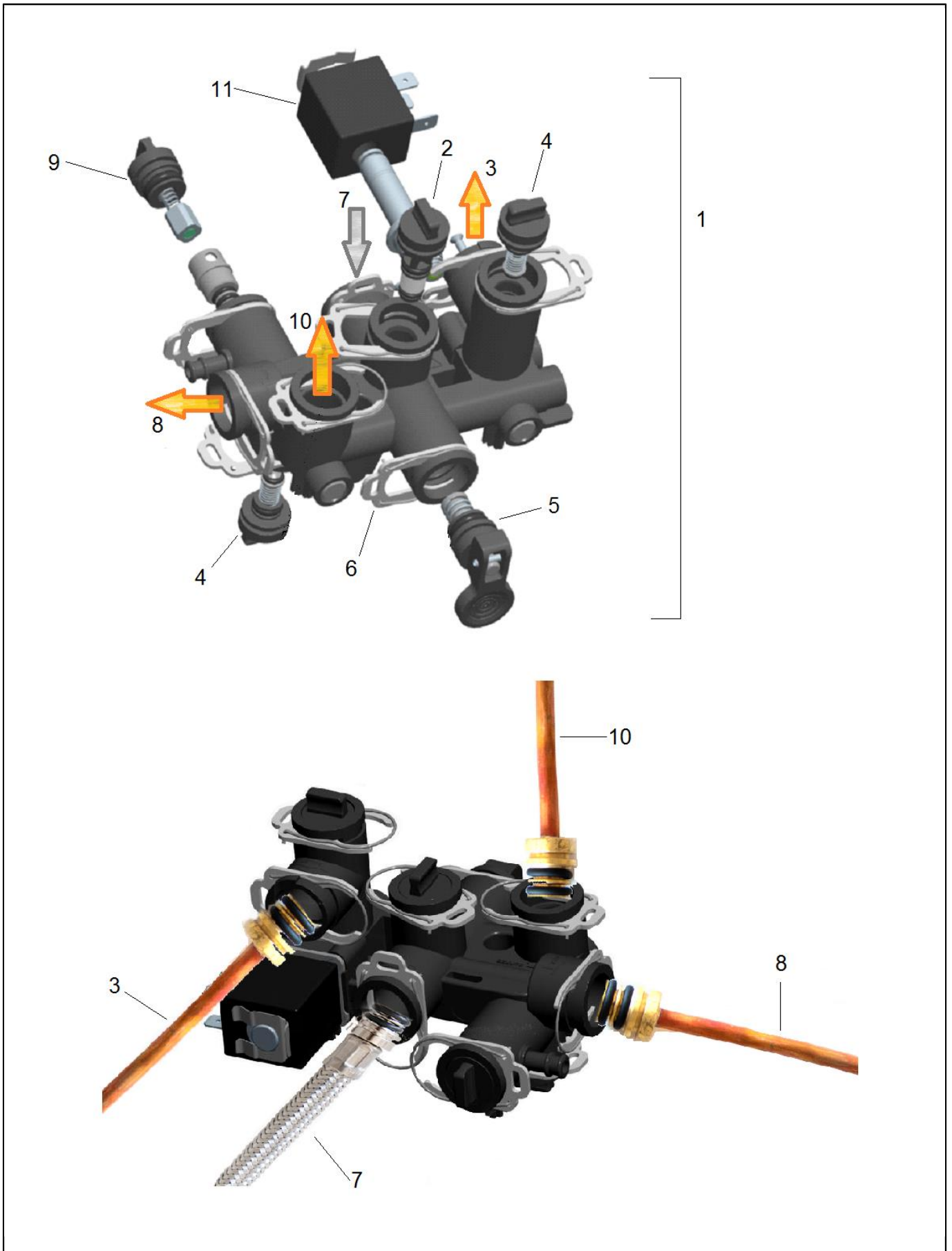
POS.	CODE	DESCRIPTION	NOTES
2	<a href="#">32331747</a>	KEYPAD SUPPORT C9USB 2GR	
	<a href="#">32331748</a>	KEYPAD SUPPORT C9USB 3GR	
	<a href="#">32331749</a>	KEYPAD SUPPORT C9USB 4GR	
3	<a href="#">10701170</a>	KIT WATER BUTTON CLASSE 9 USB PPO	
	<a href="#">10705777</a>	WATER BUTTON CLASSE 9USB/14 PLASTIC SUPPORT	
4	<a href="#">10701167</a>	KIT 5 PUSH BUTTON C7-C9 PPO	
	<a href="#">10705778</a>	COFFEE KEYBOARD CLASSE 9 USB/14 PPO/LED ASSY.	
5	<a href="#">10705779</a>	DISPLAY CLASSE 9/USB/14	
6	<a href="#">10110470</a>	DISPLAY FAN	
7	<a href="#">38120515</a>	HANDLE HOLE CAP	
8	<a href="#">42200135</a>	CLASSE 9 PLATE/14	
9	<a href="#">38120508</a>	LANCE WATER-STEAM CLOSING	
10	<a href="#">37154212</a>	SCREW 4,2X13	



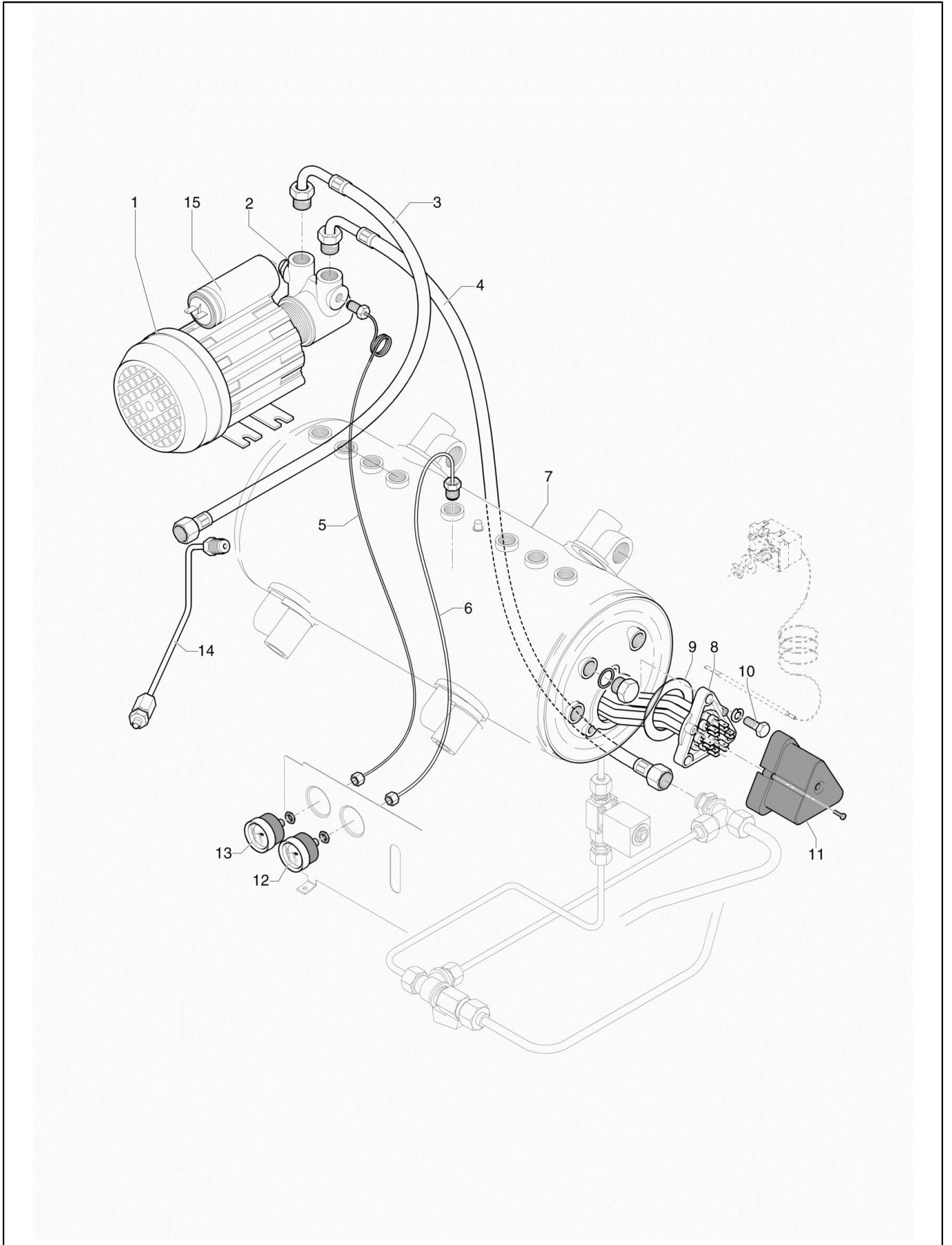
POS.	CODE	DESCRIPTION	NOTES
1	<a href="#">38120525</a>	GROUPHEAD COVER CLASSE 9 TALL	
2	<a href="#">23000042</a>	DRAIN ELECTROV TALL	
3	<a href="#">36404026</a>	O-RING 10,82 X 1,78 VITON 2043	
4	<a href="#">32331718</a>	UPPER TEMPLATE 2GR. TALL C9	
	<a href="#">32331719</a>	UPPER TEMPLATE 3GR. TALL C9	
	<a href="#">32331720</a>	UPPER TEMPLATE 4GR. TALL C9	
5	<a href="#">32331722</a>	LOWER TEMPLATE 2GR. TALL C9	
	<a href="#">32331723</a>	LOWER TEMPLATE 3GR. TALL C9	
	<a href="#">32331724</a>	LOWER TEMPLATE 4GR. TALL C9	
6	<a href="#">37521000</a>	ELASTIC RING DIAM.10	
7	<a href="#">10781163</a>	EXTRACTIBLE RISE	
8	<a href="#">10090002</a>	THERM.GROUP JETBREAKER	
9	<a href="#">37154212</a>	SCREW 4,2X13	
10	<a href="#">37030408</a>	SCREW M 4 X 8	



POS.	CODE	DESCRIPTION	NOTES
1	10060525	SAFETY VALVE	
2	27120130	HOT WATER SUCTION PIPE	
3	10043044	PIPE 8 X 6 X MML = 320 MM	
4	10042022	TUBE 6X4X230	
5	10043102	PIPE 8 X 6 X MML = 130 MM	
6	10706083	MANUAL WATER CHARGE ASSY	
7	10060448	CHECK VALVE	
8	10042127	PIPE 6X4X180	
9	10060479	EXPANSION VALVE 8 X G 3/8	
10	38228002	SILICONE HOSE D. 9 X 6MML = 560 MM	
11	10046014	MAINFOLD FAN PIPE 2GR	
	10046015	MAINFOLD FAN PIPE 3GR	
	10046016	MANIFOLD FAN PIPE 4 GR	
12	10042052	PIPE 6X4X690 F1/4	
	10042053	PIPE 6X4X870	3/4 GR
13	10042117	PIPE 6 X 4 X MML = 220 MM	
14	10043046	PIPE 8 X 6 X MML = 270 MM	
15	10043067	PIPE 8X6X210 F3/8-F3/8 2-3-4GR.	
16	27350001	GASKET 3/8 X 1 COPPER GAS	
17	10042004	INJECTION PIPE 127	
	10042006	INJECTOR PIPE/14 L 175	
18	10042217	PIPE6X4X640	
	10042218	PIPE 6X4X410	
19	23000163	EXTENSION SECURITY VALVE	
20	34070052	FLOWMETER	
21	10705756	ECONOMISER 24V	
	34049011	OPERATOR KIT 2/2 WAYS HOT WATER (T30)	
	34049012	OPERATOR KIT 2/2 WAYS COLD WATER (T22)	
22	10043033	PIPE 8X6X350	
23	10043036	PIPE 8X6X185	
24	10043028	PIPE 8 X 6 X MML = 420 MM F3/8-M3/8	
25	34200288	PRESSURE SENSOR	
26	10043039	PIPE 8 X 6 X MML = 350 MM	
27	10060059	ANTIVACUUM VALVE	
28	10044054	CIRCULATION PIPE 10 X 8 F1/2-M1/2	
29	23125009	GROUP REDUCTION D3.5	
	23125017	GROUP REDUCTION D 4,5	
	23125021	RECSTRICION GROUP DIAM. 2 MM	
30	10044053	CIRCULATION PIPE 10 X 8 F1/2-M1/2	
31	10044035	DELIVERY LEVEL PIPE 10X8	
32	10044061	PIPE LEVEL 10 X 8 F3/8-M3/8	
33	10060383	LEVEL INDICATOR CLASSE 9/13	
34	10110402	FLOWMETER WIRING 1/2GR.	
	10110445	WIRING FAN 2-3-4 GR.	
35	10060466	ELECTROVALVE CHARGE+RETURN 24V	
36	38123947	DRAIN TANK SECURITY VALVE	
37	38123946	SECURITY VALVE TOP	
38	38228003	SILICONE HOSE D. 9 X 6MML = 480 MM	
39	20123001	T JUNCTION	
40	10043007	BOILER DISCHARGE PIPE COMPL.	
41	34070211	LEVEL BOARD	
42	23000158	EXTENSION TAP	

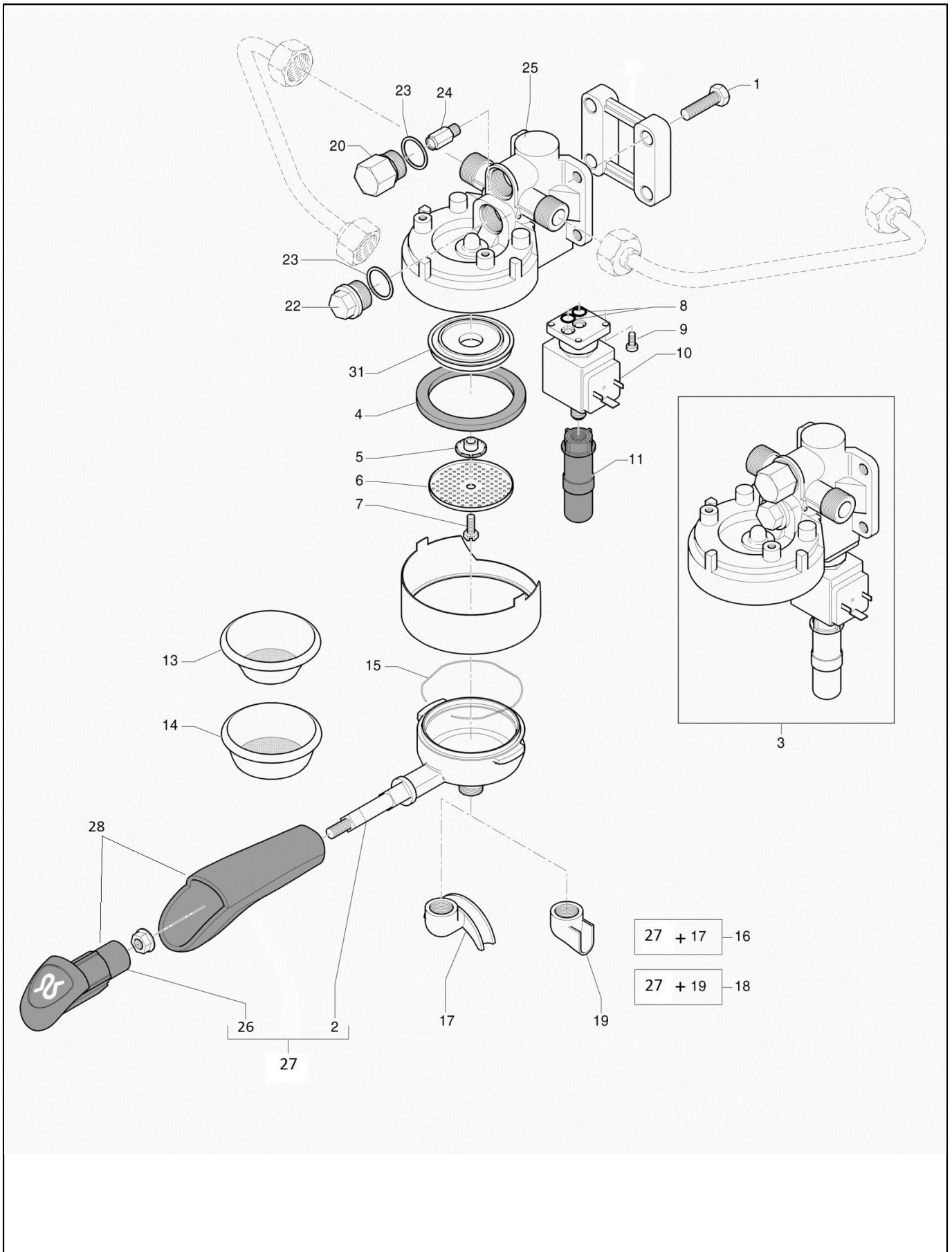


POS.	CODE	DESCRIPTION	NOTES
1	10700299	STARTER KIT HYDRAULIC MODULE 24V	
	10705936	HYDRAULIC BLOCK MC 24V	
2	69140006	FILTER HYDRAULIC MODULE	
3	10042026	PIPE 6X4X368	
	36404052	O-RING 9,16 X 2,62 FPM 3037	
4	69140007	CHECK VALVE HYDRAULIC MODULE	
	69140016	CHECK VALVE CAP	
	69140017	CHECK VALVE PISTON	
	69140018	CHECK VALVE SPRING	
5	69140008	MANUAL TAP HYDRAULIC MODULE	
6	69140012	CLOSING BRACKET HYDRAULIC MODULE	
7	36404052	O-RING 9,16 X 2,62 FPM 3037	
	69000730	FLEX PIPE M3/8 1060 MM ELBOW	
	69000731	FLEX PIPE 3/8M-SN MM 830 ELBOW	
	69000738	FLEX PIPE M3/8 1290 MM ELBOW	
8	10042058	PIPE 6X4X620 ECONOMIZER	2gr
	10042061	PIPE 6 X 4 X 900 ECONOMIZER	2gr tall
	10042062	PIPE 6X4X690 ECONOMIZER HYDRAULIC MOD.	
	10042063	PIPE 6X4X970 ECONOMIZER HYDRAULIC MOD.	3gr/3gr tall Xcelsius 4gr/4gr tall Xcelsius
	36404052	O-RING 9,16 X 2,62 FPM 3037	
9	69140009	PRESSURE RELIEF VALVE HYDRAULIC MODULE	
	69140010	SPRING PRESSURE RELIEF VALVE HYDRAULIC MODULE	
	69140011	PLUNGER PRESSURE RELIEF VALVE HYDRAULIC MODULE	
	69140019	PRESSURE RELIEF VALVE CAP	
10	10046030	PIPE MANIFOLD FLOWMETER 2GR HYDRAULIC MOD.	
	10046031	PIPE MANIFOLD FLOWMETER 3GR HYDRAULIC MOD.	
	10046032	PIPE MANIFOLD FLOWMETER 4GR HYDRAULIC MOD.	
	10046033	PIPE MANIFOLD FLOWMETER 2GR HYDRAULIC MOD. TALL	
	10046034	PIPE MANIFOLD FLOWMETER 3GR HYDRAULIC MOD. TALL	
	10046035	PIPE MANIFOLD FLOWMETER 4GR HYDRAULIC MOD. TALL	
	10046039	FAN COUNTER PIPE CLASSE 11 X 3GR H.M.	
	10046040	FAN COUNTER PIPE CLASSE 11 X TALL 3GR H.M.	
	36404052	O-RING 9,16 X 2,62 FPM 3037	
11	69140013	OPERATOR KIT 24V HYDRAULIC MODULE	

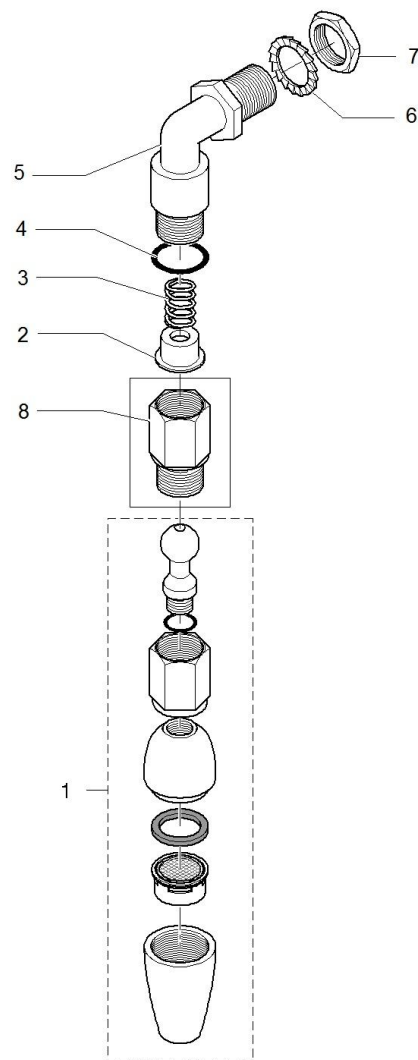


## HEATING ELEMENT/CHECK EXP. VALVE

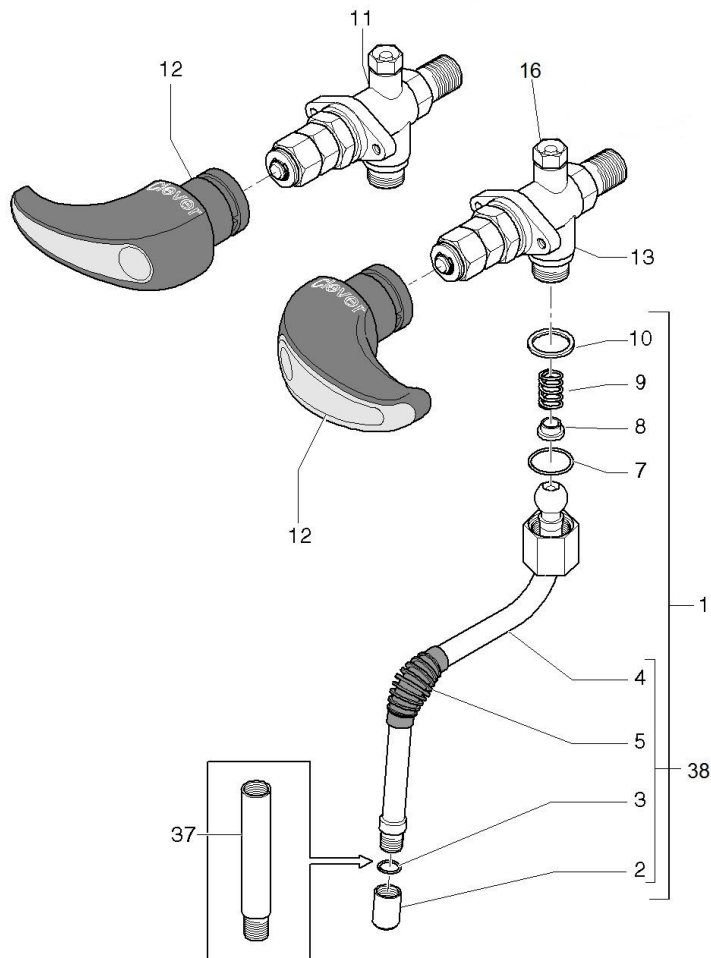
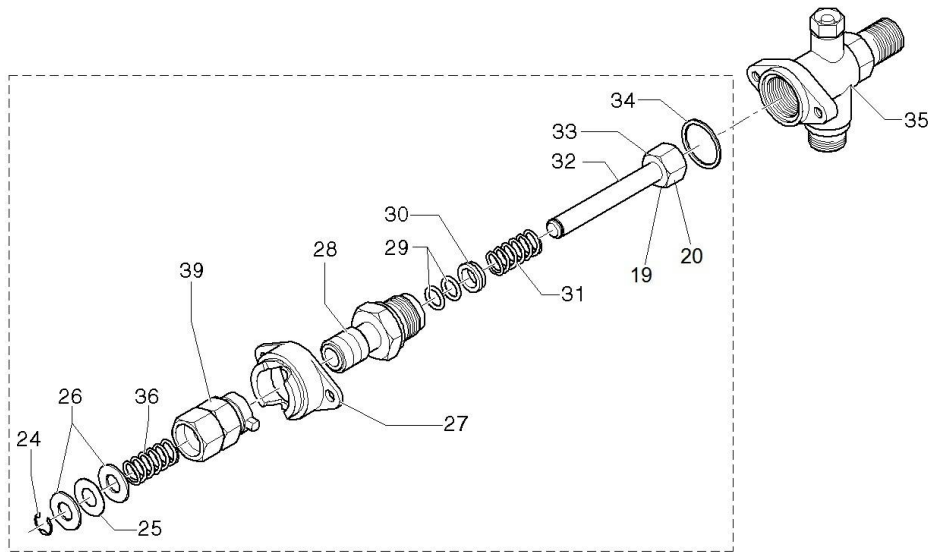
POS.	CODE	DESCRIPTION	NOTES
1	34011009	MOTOR 110 V CE / UL	
	34011102	VM MOTOR 230V	
2	10705960	KIT PUMPING ELEMENT	
	69000993	VOLUMETRIC PUMP VM 200L/H &quot;RANCILIO&quot;	
3	69000734	FLEX PIPE MM1800 WITH ELBOW+CHECK VALVE	
	69000735	FLEX PIPE MM2300 WITH ELBOW+CHECK VALVE	
4	69000722	FLEX PIPE MM.500	
	69000724	FLEX PIPE MM.1200	
	69000725	PIPE FLEX MM.730	
5	69000243	PIPE CAPILLARY MANOMETER F1/8-M1/8	
6	10041042	PIPE 4 X 3 MML = 600 MM	
7	10022320T	BOILER 2GR	
	10022330T	BOILER 3GR	
	10022340T	BOILER 4GR.	
8	33323004	HEATING ELEMENT CAPILL. 230V/4300W	
	33323006	HEATING ELEMENT+CAPILLAR 230V 6000W	
9	36930012	GASKET RESISTANCE TEFLON	
10	37040821	SCREW M 8X22	
11	38123665	COVER HEATING ELEMENT	
12	35002508	BOILER MANOMETER	
13	35002509	PUMP MANOMETER	
14	10043007	BOILER DISCHARGE PIPE COMPL.	
15	34020020	CONDENSER 8 MF RPM	



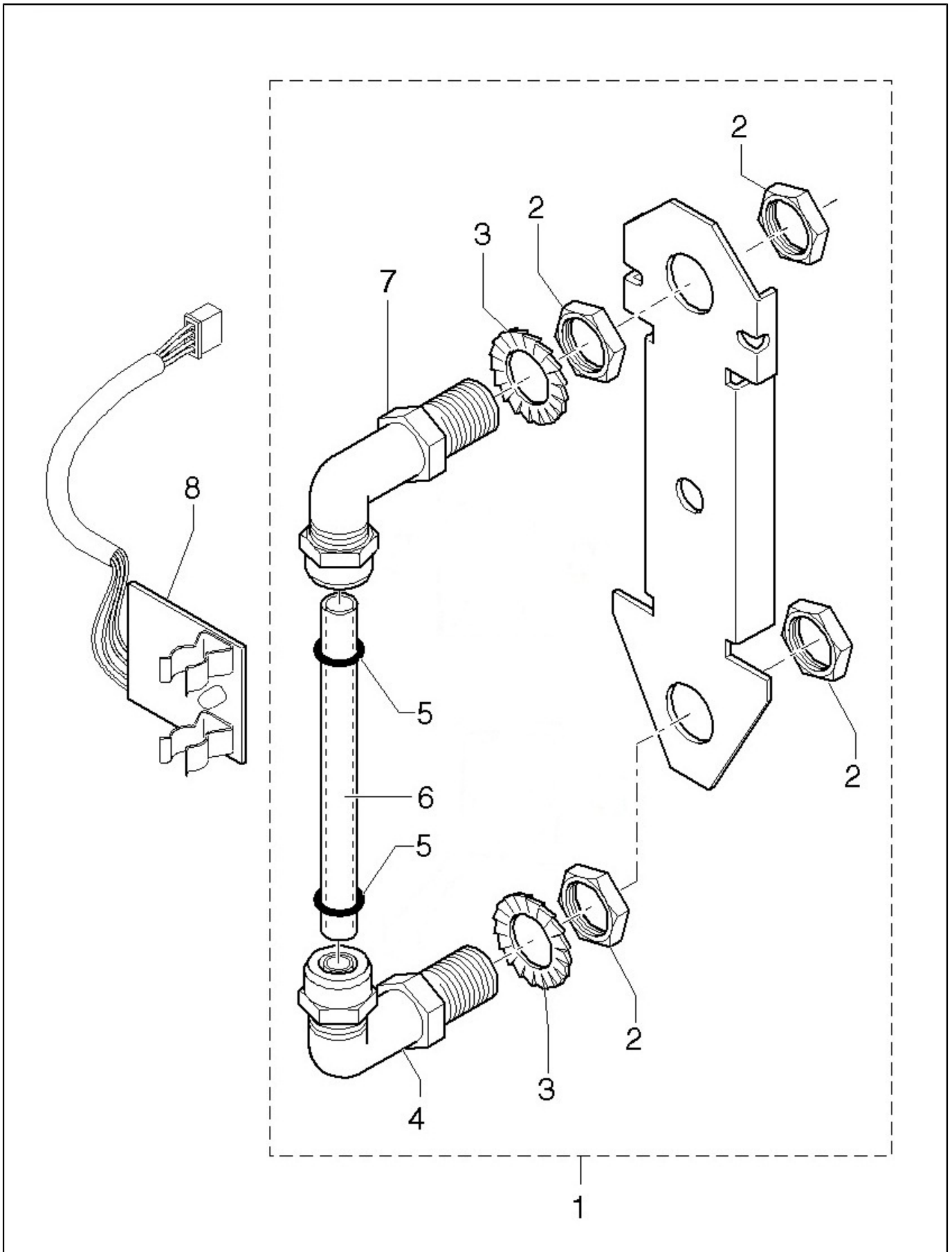
POS.	CODE	DESCRIPTION	NOTES
1	<a href="#">37040830</a>	SCREW M 8X30	
2	<a href="#">20112011</a>	FILTER-HOLDER	
3	<a href="#">10051170</a>	BREWING GROUP 24V	
4	<a href="#">36301046</a>	GROUP GASKET PEROSSIDICA HP	
5	<a href="#">25139001</a>	GROUP JETBREAKER	
6	<a href="#">40200005</a>	SHOWER NET	
7	<a href="#">37030518</a>	SHOWER SCREW	
8	<a href="#">36402005</a>	O-RING ELECTROVALVE	
9	<a href="#">37060413</a>	SCREW M 4 X 12	
10	<a href="#">34040151</a>	ELECTROVALVE 3/2 WAYS 24V SIRAI	
11	<a href="#">10090002</a>	THERM.GROUP JETBREAKER	
13	<a href="#">40100101</a>	1 CUP CALIBRATED FILTER	
14	<a href="#">40100102</a>	2 CUP CALIBRATED FILTER	
	<a href="#">40100103</a>	DEEPER FILTER 2 CUP CALIBRATED	
15	<a href="#">25105005</a>	FIX.FILTER SPRING	
16	<a href="#">10071137</a>	2 CUP FILTER-HOLDER 09	
17	<a href="#">21100801</a>	2 CUP BEAK MC/09	
18	<a href="#">10071118</a>	1 CUP FILTER HOLDER 09	
19	<a href="#">21102601</a>	1 CUP BEAK MC/09	
20	<a href="#">23000227</a>	GROUP JET CAP	
22	<a href="#">20122653</a>	BREWING GROUP CAP	
23	<a href="#">27400002</a>	INFUS.CHAMBER TAP GASKET	
24	<a href="#">10060612</a>	KIT GIGLEUR	
25	<a href="#">20200054</a>	GROUP BODY	
26	<a href="#">10705535</a>	FILTERHOLDER CAP WITH RING	
27	<a href="#">10071100</a>	FILTERHOLDER NO BECK	
28	<a href="#">10705091</a>	KIT FILTER HOLDER TAP 07	
31	<a href="#">20200182</a>	ECO SPACE GROUP NICKEL	



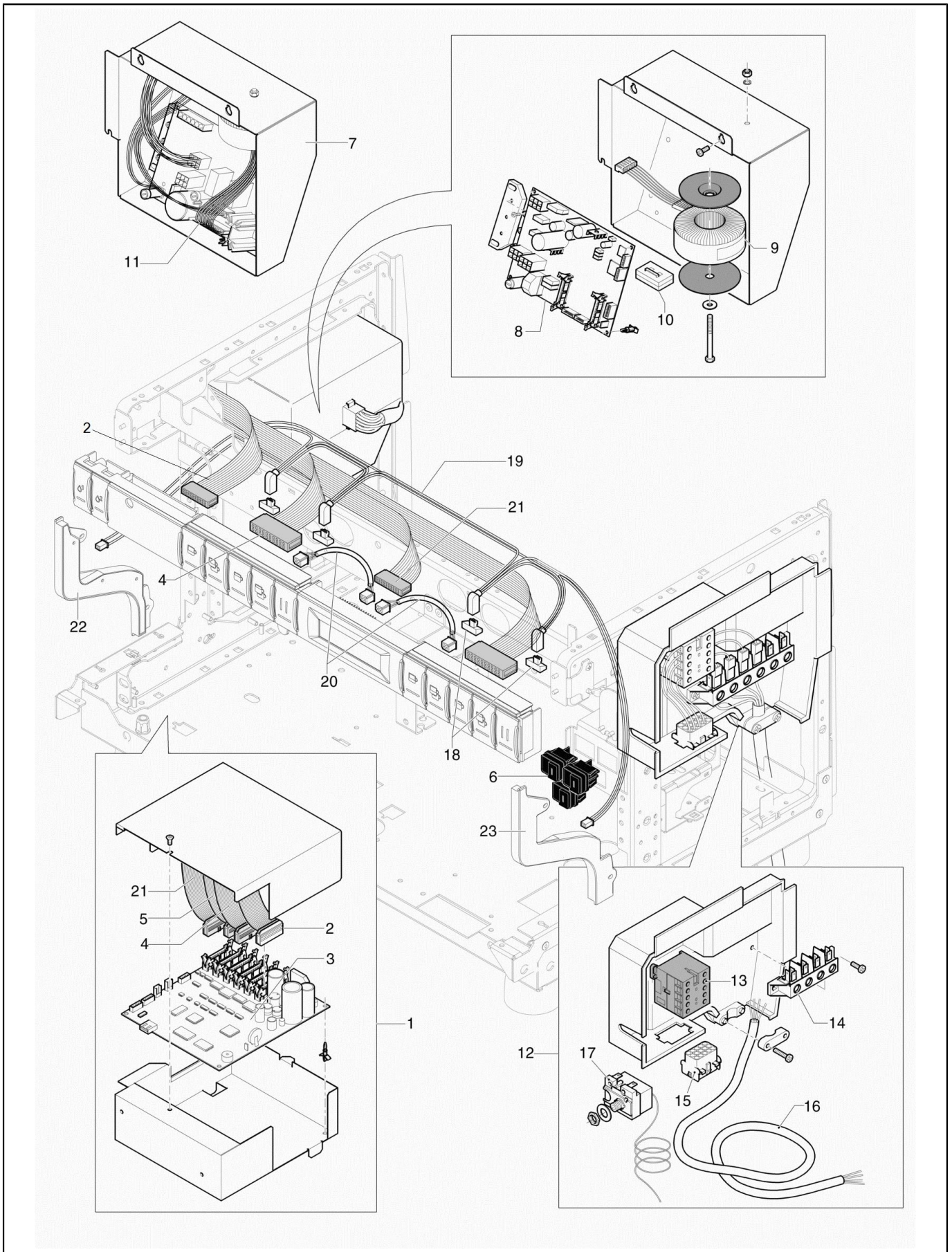
POS.	CODE	DESCRIPTION	NOTES
1	<a href="#">10049014</a>	NOEPerl MIXING NOZZLE G 3/8	
2	<a href="#">36930016</a>	GASKET	
3	<a href="#">39110038</a>	SPRING	
4	<a href="#">36220009</a>	GASKET NUT NOTE TEFLON	
5	<a href="#">20200112</a>	HOT WATER CONNECTOR NSF	
6	<a href="#">37431600</a>	OUTER TOOTHED WASHER D16	
7	<a href="#">26220005</a>	FLAT NUT 3/8	
8	<a href="#">23000158</a>	EXTENSION TAP	



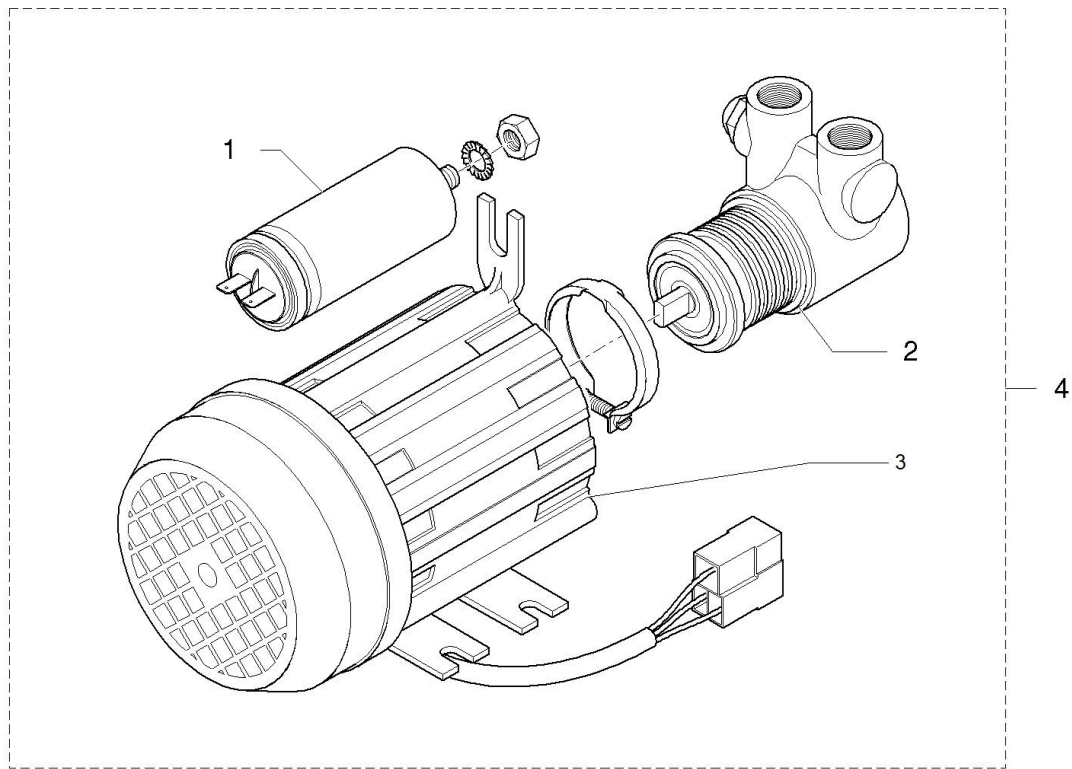
POS.	CODE	DESCRIPTION	NOTES
1	10701127 10706034	COOLTOUCH WAND C9-C11-ONE STEAM PIPE+JOINT LG.25 INOX	CLASSE 9
2	23000121 25111006	SPRAYER LG25 D1.1 STEAM NOZZLE	
3	36404022	O-RING 6,4 X 1,9 R5A	
4	10049112 10049117	STEAM PIPE INOX LG 25 COOL TOUCH WAND	CLASSE 9
5	36990004	RUBBER FOR STEAM PIPES	
7	36930017	TEFLON GASKET FOR STEAM WAND NUT	
8	36930016	GASKET	
9	39110038	SPRING	
10	36220009	GASKET NUT NOTE TEFLON	
11	10060134	CLEVER STEAM TAP CLEVER COOLTOUCH LEFT+AV	
12	10060181	HANDLE CLEVER	
13	10060135	CLEVER STEAM TAP CLEVER COOLTOUCH RIGHT+AV	
16	10705180	KIT AV VALVE STEAM TAP	
19	36301105	GASKET FOR NUT STEAM TAP EPDM	
20	23000003	DISK BLOC NUT GR. CL 10/RE	
24	37510700	ELASTIC RING D.7	
25	36230001	TEFLON WASHER	
26	32239044	NEW STEAM COCK WASHER	
27	38120271 38120272	RIGHT CAM FAST TAP/14 LEFT CAM FAST TAP	
28	23000047	COCK ROD BUSH	
29	36402003	O-RING 9,25 X 1,78 VITON 75SH	
30	25132003	SPRING GUIDE FOR NEW COCK	
31	39110035	WATER-STEAM COCK SPRING	
32	10060002	ROD+NUT AND STEAM COCK GASKET	
33	10060001	NUT+STEAM COCK GASKET	
34	27400001	GASKET COPPER COMPASS RE GROUP	
35	10705014	STEAM COCK BODY+VALVE A.VV	
36	39110036	SPRING STEAM COCK	
37	25128015	WATER WAND EXTENTION INOX	only classe 9
39	38120270	TAP BUSH/14	



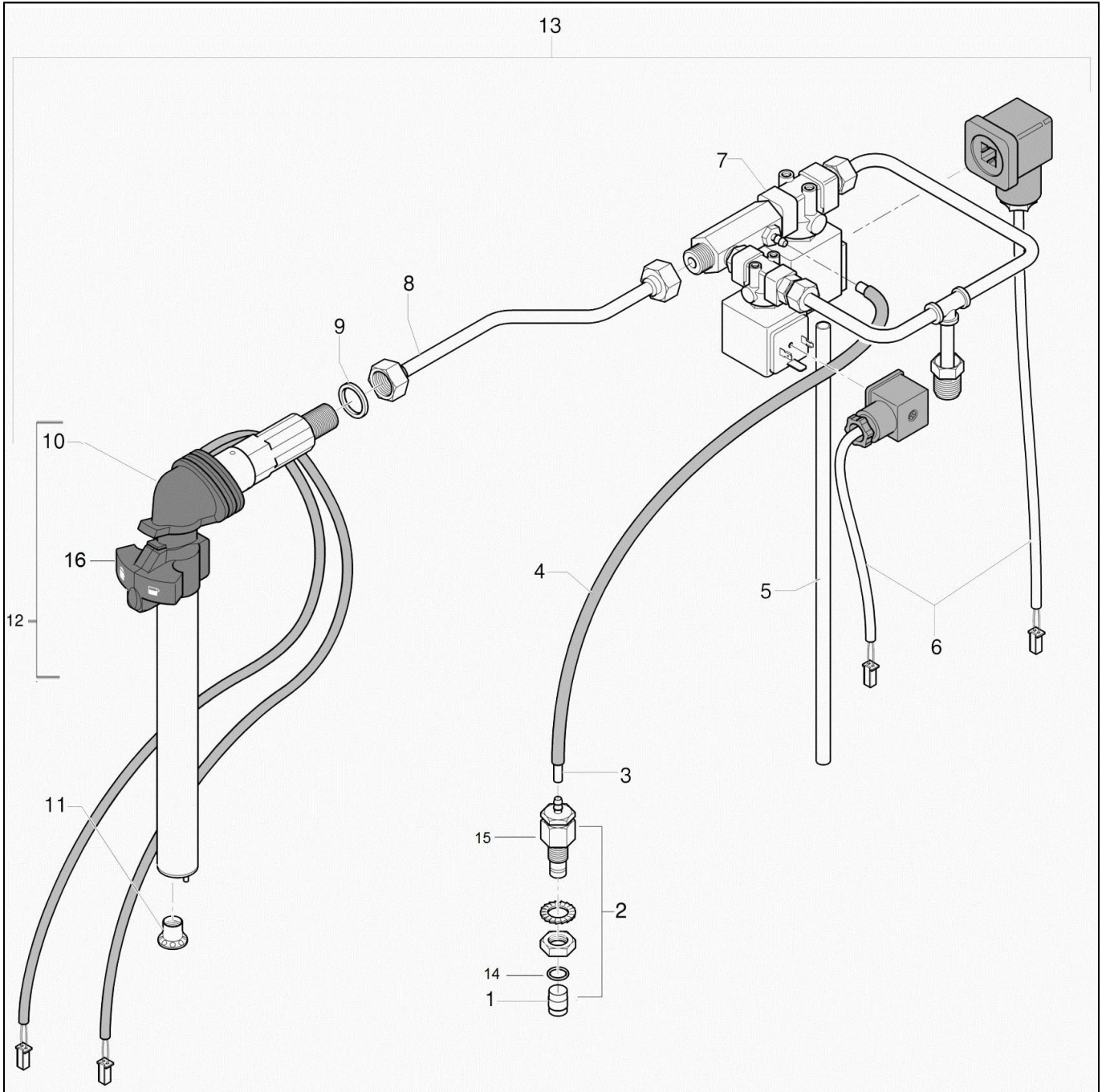
POS.	CODE	DESCRIPTION	NOTES
1	<a href="#">10060383</a>	LEVEL INDICATOR CLASSE 9/13	
2	<a href="#">26220005</a>	FLAT NUT 3/8	
3	<a href="#">37430600</a>	TOOTH LOCK WASHER D. 6	
4	<a href="#">20121103</a>	JUNCTION FOR LEVEL	
5	<a href="#">36402003</a>	O-RING 9,25 X 1,78 VITON 75SH	
6	<a href="#">38228066</a>	TEFLON PIPE D.10X8X107,5	
7	<a href="#">23222035</a>	LONG JUNCTION 3/8	
8	<a href="#">34070211</a>	LEVEL BOARD	



POS.	CODE	DESCRIPTION	NOTES
1	<a href="#">10110384</a>	CPU BOX XCELSIUS	
2	<a href="#">10110752</a>	FUNCTIONS CABLE	
3	<a href="#">10700983</a>	KIT CPU BOARD C9 USB/XCELSIUS	
4	<a href="#">10110439</a>	WIRING PANEL-GROUP 1	
	<a href="#">10110440</a>	WIRING PANEL-GROUP 2	
5	<a href="#">10110441</a>	WIRING PANEL-GROUP 3	
	<a href="#">10110442</a>	WIRING PANEL.GROUP 4	
6	<a href="#">34030970</a>	GREEN SWITCH	
7	<a href="#">10110390</a>	POWER BOX SDE12 CLASSE 10 CLASSE9	
8	<a href="#">10110773</a>	WIRING RELAY BOILER OVERPRESSURE CLASSE 10 CLASSE	
	<a href="#">10700985</a>	KIT POWER BOARD SDE12	this could be use also on machine with old power board. Remember to disconnect save-heating element connector.
9	<a href="#">34200269</a>	TRANSFORMER ONE	
10	<a href="#">38123598</a>	FUSE BOX	
11	<a href="#">10110649</a>	WIRING POWER BOARD	
12	<a href="#">10110375</a>	ELECTRIC BOX 230V+FILTER EMC	
	<a href="#">34021004</a>	FILTER EMC	
13	<a href="#">34200332</a>	MINI-CONTACTOR 220-240V	
14	<a href="#">34150026</a>	CLAMP 4 POSITION	
15	<a href="#">10110655</a>	WIRING POWER	
16	<a href="#">34300073</a>	CABLE	
	<a href="#">34300074</a>	CABLE 3 WIRES 2,5	
17	<a href="#">34200097</a>	SAVE- HEATING ELEMENT EGO MONOF.	
18	<a href="#">10705683</a>	LED GROUPS	
19	<a href="#">10110738</a>	LIGHT CABLE 2GR C9	
	<a href="#">10110739</a>	LIGHT WIRING 3GR	
	<a href="#">10110740</a>	LIGHT WIRING 4GR	
20	<a href="#">10110744</a>	RGB PANEL CABLES 1-2 GR	
	<a href="#">10110745</a>	RGB PANEL CABLES 3-4 GR	
21	<a href="#">10110405</a>	PANEL WIRING 2GR	
22	<a href="#">10705681</a>	LED BAR RIGHT	
23	<a href="#">10705682</a>	LED BAR LEFT	



POS.	CODE	DESCRIPTION	NOTES
1	<a href="#">34020020</a>	CONDENSER 8 MF RPM	
2	<a href="#">10705960</a>	KIT PUMPING ELEMENT	
	<a href="#">69000993</a>	VOLUMETRIC PUMP VM 200L/H "RANCILIO"	
3	<a href="#">34011102</a>	VM MOTOR 230V	
4	<a href="#">13077071</a>	PUMP 230V 1/2GR	



POS.	CODE	DESCRIPTION	NOTES
1	23000092	FLOW LIMITER D. 0,25 MM	
	23000093	FLOW LIMITER D. 0,35 MM	
	23000192	JET ISTEAM YOUSTEAM D. 0,15	
2	10705320	AIR INPUT VALVE	
3	38228016	SILICON PIPE D5X3	
4	34209124	SHEATH PLAITED POLIESTER UL94	
5	38228002	SILICONE HOSE D. 9 X 6MML = 560 MM	
6	10110420	WIRING GROUP/WATER EV.	
7	10705575	ASSEMBLY ELETTR. -VENTURI ISTEAM	
8	10043067	PIPE 8X6X210 F3/8-F3/8 2-3-4GR.	
9	23000091	DISTANCE STEAM TAP BODY ISTEAM	
10	36990017	STEAM SHROUD ISTEAM	
11	23000098T	ISTEAM SPRAYER	
12	10705350	KIT ISTEAM LONG	250mm
13	10705980	RETROFIT KIT ISTEAM CLASSE 9 USB	
14	36404013	O-RING SILICONE 2031	
15	36230017	DUCKBILL	
16	10705359	ISTEAM PANEL	

Code	No. table	Pos.
10022320T	2003	7
10022330T	2003	7
10022340T	2003	7
10041042	2003	6
10042004	2000	17
10042006	2000	17
10042022	2000	4
10042026	2013	3
10042052	2000	12
10042053	2000	12
10042058	2013	8
10042061	2013	8
10042062	2013	8
10042063	2013	8
10042117	2000	13
10042127	2000	8
10042217	2000	18
10042218	2000	18
10043007	2000	40
10043007	2003	14
10043028	2000	24
10043033	2000	22
10043036	2000	23
10043039	2000	26
10043044	2000	3
10043046	2000	14
10043067	2000	15
10043067	4000	8
10043102	2000	5
10044035	2000	31
10044053	2000	30
10044054	2000	28
10044061	2000	32
10046014	2000	11
10046015	2000	11
10046016	2000	11
10046030	2013	10
10046031	2013	10
10046032	2013	10
10046033	2013	10
10046034	2013	10
10046035	2013	10
10046039	2013	10
10046040	2013	10
10049014	2007	1
10049112	2008	4
10049117	2008	4
10051170	2004	3
10060001	2008	33
10060002	2008	32
10060059	2000	27
10060134	2008	11
10060135	2008	13
10060181	2008	12
10060383	2000	33
10060383	2010	1
10060448	2000	7
10060466	2000	35
10060479	2000	9
10060525	2000	1
10060612	2004	24
10071100	2004	27
10071118	2004	18
10071137	2004	16
10090002	1003	8
10090002	2004	11
10110375	3000	12

Code	No. table	Pos.
10110384	3000	1
10110390	3000	7
10110402	2000	34
10110405	3000	21
10110420	4000	6
10110427	1000	28
10110439	3000	4
10110440	3000	4
10110441	3000	5
10110442	3000	5
10110445	2000	34
10110470	1001	6
10110649	3000	11
10110655	3000	15
10110738	3000	19
10110739	3000	19
10110740	3000	19
10110744	3000	20
10110745	3000	20
10110752	3000	2
10110773	3000	8
10700276	1000	1
10700277	1000	1
10700278	1000	1
10700299	2013	1
10700983	3000	3
10700985	3000	8
10701127	2008	1
10701167	1001	4
10701170	1001	3
10705014	2008	35
10705091	2004	28
10705180	2008	16
10705320	4000	2
10705350	4000	12
10705359	4000	16
10705535	2004	26
10705575	4000	7
10705681	1000	10
10705681	3000	22
10705682	1000	11
10705682	3000	23
10705683	3000	18
10705756	2000	21
10705777	1001	3
10705778	1001	4
10705779	1001	5
10705936	2013	1
10705960	2003	2
10705960	3003	2
10705980	4000	13
10706034	2008	1
10706083	2000	6
10781163	1003	7
10905015	1000	7
10905016	1000	8
13077071	3003	4
20112011	2004	2
20121103	2010	4
20122653	2004	22
20123001	2000	39
20200054	2004	25
20200112	2007	5
20200182	2004	31
21100801	2004	17
21102601	2004	19
23000003	2008	20

Code	No. table	Pos.
23000042	1003	2
23000047	2008	28
23000091	4000	9
23000092	4000	1
23000093	4000	1
23000098T	4000	11
23000121	2008	2
23000158	2000	42
23000158	2007	8
23000163	2000	19
23000192	4000	1
23000227	2004	20
23125009	2000	29
23125017	2000	29
23125021	2000	29
23222035	2010	7
25105005	2004	15
25111006	2008	2
25128015	2008	37
25132003	2008	30
25139001	2004	5
26220005	2007	7
26220005	2010	2
27120130	2000	2
27350001	2000	16
27400001	2008	34
27400002	2004	23
32239044	2008	26
32330971	1000	3
32330972	1000	4
32330973	1000	3
32331702	1000	14
32331703	1000	14
32331704	1000	14
32331706	1000	15
32331707	1000	15
32331708	1000	15
32331710	1000	13
32331711	1000	13
32331712	1000	13
32331714	1000	12
32331715	1000	12
32331716	1000	12
32331718	1003	4
32331719	1003	4
32331720	1003	4
32331722	1003	5
32331723	1003	5
32331724	1003	5
32331726	1000	5
32331727	1000	5
32331728	1000	5
32331730	1000	6
32331731	1000	6
32331732	1000	6
32331736	1000	16
32331737	1000	16
32331738	1000	16
32331747	1001	2
32331748	1001	2
32331749	1001	2
33122002	1000	2
33122003	1000	2
33122004	1000	2
33323004	2003	8
33323006	2003	8
34011009	2003	1

Code	No. table	Pos.
34011102	2003	1
34011102	3003	3
34020020	2003	15
34020020	3003	1
34021004	3000	12
34030970	3000	6
34040151	2004	10
34049011	2000	21
34049012	2000	21
34070052	2000	20
34070211	2000	41
34070211	2010	8
34150026	3000	14
34200097	3000	17
34200269	3000	9
34200288	2000	25
34200332	3000	13
34209124	4000	4
34300073	3000	16
34300074	3000	16
35002508	2003	12
35002509	2003	13
36220009	2007	4
36220009	2008	10
36230001	2008	25
36230017	4000	15
36301046	2004	4
36301105	2008	19
36402003	2008	29
36402003	2010	5
36402005	2004	8
36404013	4000	14
36404022	2008	3
36404026	1003	3
36404052	2013	10
36404052	2013	3
36404052	2013	7
36404052	2013	8
36930012	2003	9
36930016	2007	2
36930016	2008	8
36930017	2008	7
36990004	2008	5
36990017	4000	10
37030408	1003	10
37030509	1000	30
37030518	2004	7
37040821	2003	10
37040830	2004	1
37060413	2004	9
37154212	1000	29
37154212	1001	10
37154212	1003	9
37430600	2010	3
37431600	2007	6
37510700	2008	24
37521000	1003	6
38120270	2008	39
38120271	2008	27
38120272	2008	27
38120501	1000	17
38120502	1000	18
38120503	1000	19
38120508	1001	9
38120511	1000	25
38120515	1001	7
38120525	1003	1

Code	No. table	Pos.
38120541	1000	24
38123568	1000	22
38123598	3000	10
38123665	2003	11
38123666	1000	20
38123852	1000	27
38123856	1000	21
38123921	1000	23
38123946	2000	37
38123947	2000	36
38228002	2000	10
38228002	4000	5
38228003	2000	38
38228016	4000	3
38228066	2010	6
39110035	2008	31
39110036	2008	36
39110038	2007	3
39110038	2008	9
40100101	2004	13
40100102	2004	14
40100103	2004	14
40200005	2004	6
42200123	1000	26
42200135	1001	8
69000243	2003	5
69000722	2003	4
69000724	2003	4
69000725	2003	4
69000730	2013	7
69000731	2013	7
69000734	2003	3
69000735	2003	3
69000738	2013	7
69000993	2003	2
69000993	3003	2
69140006	2013	2
69140007	2013	4
69140008	2013	5
69140009	2013	9
69140010	2013	9
69140011	2013	9
69140012	2013	6
69140013	2013	11
69140016	2013	4
69140017	2013	4
69140018	2013	4
69140019	2013	9



## Headquarters, Production Plant and R&D Centers

### Rancilio Group s.p.a.

Viale della Repubblica 40  
20010 Villastanza di Parabiago  
Milano - Italy  
Tel +39 0331 408200  
Fax +39 0331 551437  
[www.ranciliogroup.com](http://www.ranciliogroup.com)  
[info@ranciliogroup.com](mailto:info@ranciliogroup.com)

### Egro Suisse AG

Bahnhofstrasse 66  
5605 Dottikon, Switzerland  
Tel. +41 (0)56 616 95 95  
Fax +41 (0)56 616 95 97  
[www.egrocoffee.com](http://www.egrocoffee.com)  
[info@egrocoffee.com](mailto:info@egrocoffee.com)

## Worldwide Branch Locations

### SPAIN

RancilioGroup Espana, s.a.  
Gran Via de Carlos III, 84 3ª  
Edificio Trade  
08028 Barcelona - Spain  
Tel. +34 902 884 275  
Tel. +34 934 923 414  
Fax +34 934 965 701  
[www.ranciliogroup.com](http://www.ranciliogroup.com)  
[info-es@ranciliogroup.com](mailto:info-es@ranciliogroup.com)

### PORTUGAL

Rancilio Group Portugal Lda  
Estrada da Falagueira nº 68 E  
2700-365 Amadora-Lisboa - Portugal  
Tel. +351 21 019 10 91  
Fax +351 21 019 10 91  
  
Rua Nova do Seixo 1282  
4465-706 Leça do Balio-Porto - Portugal  
Tel. +351 22 010 14 19  
Fax +351 22 010 14 19  
[www.ranciliogroup.com](http://www.ranciliogroup.com)  
[info-pt@ranciliogroup.com](mailto:info-pt@ranciliogroup.com)

### GERMANY

Rancilio Group Deutschland GmbH  
Talstrasse 27  
97990 Weikersheim - Germany  
Ph. +49 7934 99 29 30  
Fax +49 7934 99 29 330  
[www.ranciliogroup.de](http://www.ranciliogroup.de)  
[info-de@ranciliogroup.com](mailto:info-de@ranciliogroup.com)

### SWITZERLAND

Egro Suisse AG  
Bahnhofstrasse 66  
5605 Dottikon - Switzerland  
Tel. +41 (0)56 616 95 95  
Fax +41 (0)56 616 95 97  
[www.egrosuisse.ch](http://www.egrosuisse.ch)  
[info@egrosuisse.ch](mailto:info@egrosuisse.ch)

### USA/CANADA

Rancilio Group North America Inc.  
1340 Internationale Parkway / Suite 200  
Woodridge, IL 60517 - U.S.A.  
Ph: +1 630 914 7900  
Fax: +1 630 914 7901  
Toll Free: +1 877 726 2454  
[www.ranciliogroup.com](http://www.ranciliogroup.com)  
[info@ranciliogroupna.com](mailto:info@ranciliogroupna.com)

