

Swiss Egro ONE



Spare Parts

Contents

	Swiss Egro ONE.....	3
1	ONE, Housing	4
1.1	ONE, Housing: front view.....	5
1.2	ONE, Housing: front housing	7
1.3	ONE, Housing: Beans Hopper	9
2	ONE, Mechanical.....	11
2.1	ONE, Mechanical: Grinder	12
2.2	ONE, Mechanical: Water pump	14
2.3	ONE, Mechanical: Coffee boiler	16
2.4	ONE, Mechanical: Steam boiler	18
2.5	ONE, Mechanical: Steam valve block	20
2.6	ONE, Mechanical: Hot water valve block.....	22
2.7	ONE, Mechanical: Cold Water valve block.....	24
2.8	ONE, Mechanical: C-Steam spout	26
2.9	ONE, Mechanical: i-Steam spout.....	28
2.10	ONE, Mechanical: Hot Water spout	30
2.11	ONE, Mechanical: Brewing group	32
2.12	ONE, Mechanical: Spindle Motor, above end down.....	34
2.13	ONE, Mechanical: drain Water hose	37
2.14	ONE, Mechanical: Spout Coffee / Milk	39
3	ONE, Electronic	43
3.1	ONE, Electronic: Electrical components.....	44
3.2	ONE, Electronic: Electrical circuits set	46
3.3	ONE, Electronic Accessoires	43
4	ONE, Differents.....	49
4.1	ONE, Accessories: material of use + literature.....	50
4.2	ONE, Service + Repair kits	55

Contents

Swiss Egro ONE

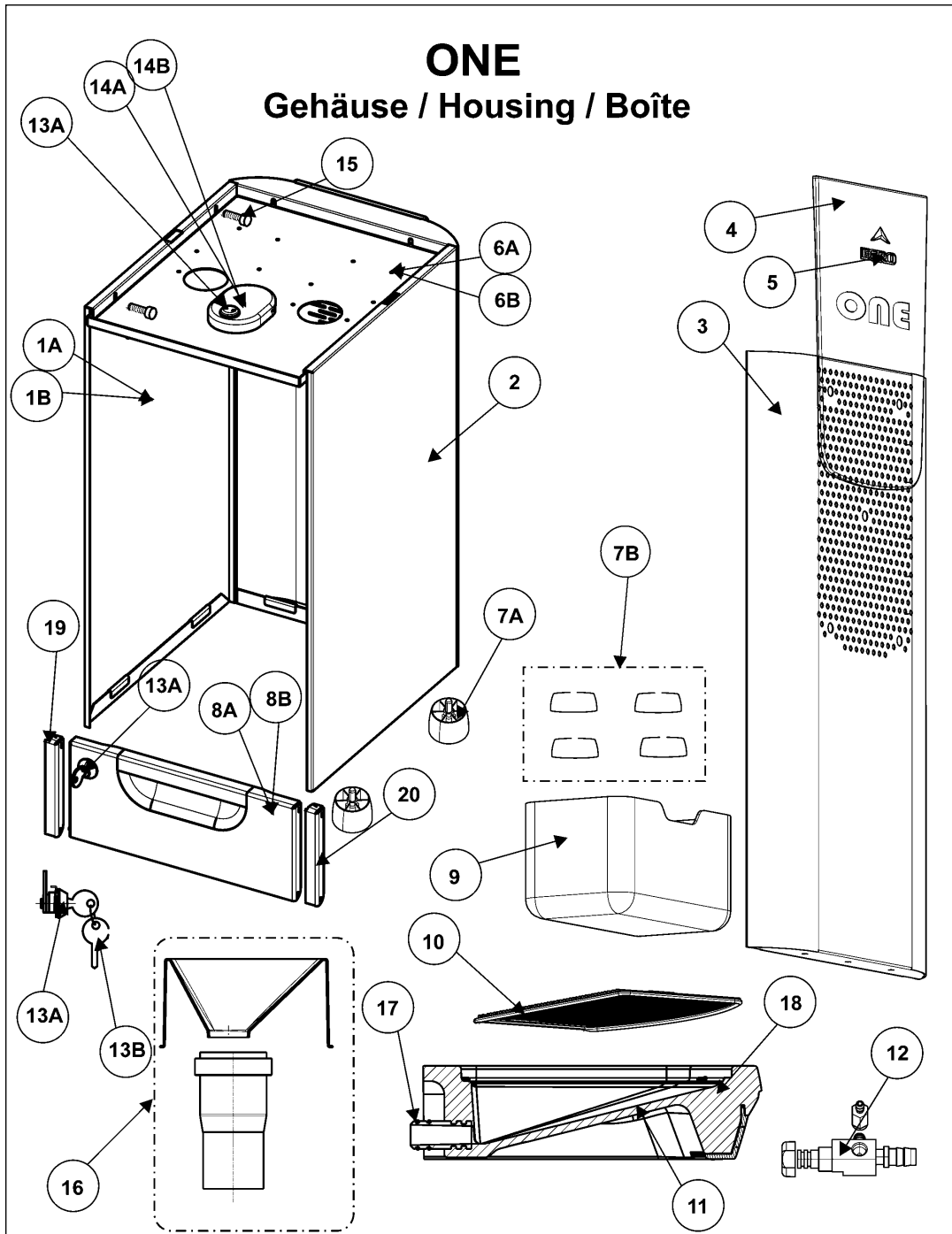
1	ONE, Housing	4
2	ONE, Mechanical	11
3	ONE, Electronic	43
4	ONE, Differents	49

Contents

1 ONE, Housing

1.1	ONE, Housing: front view.....	5
1.2	ONE, Housing: front housing	7
1.3	ONE, Housing: Beans Hopper.....	9

1.1 ONE, Housing: front view



Egro Coffee Systems AG

A13120_01

5443 Niederrohrdorf
Switzerland

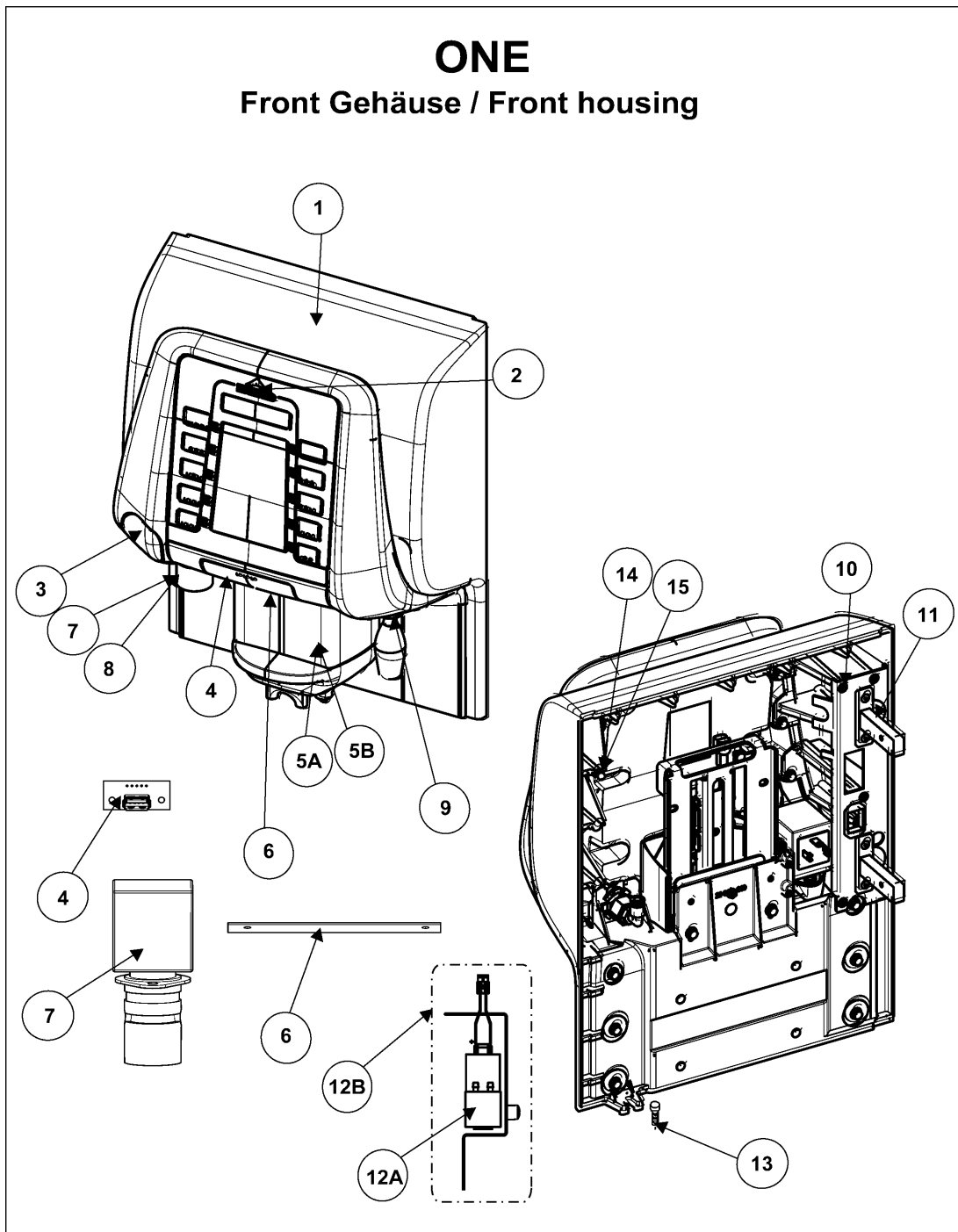
12.07.2010

Copyright by Egro Coffee Systems AG, 5443 Niederrohrdorf. All rights reserved / Product Management @ Egro

1.1 ONE, Housing: front view

Pos.	Description	Dimensions	Part-No.	Lot size
1A	side panel left without hole		32551053	
1B	side panel left with hole		32551058	
2	side panel left + right		32551059	
3	Rear panel		32551051	
4	Back plastic shield		38120091	
5	Egro Logo with writing		45010209	
6A	Plane for 1 grinder		10705717	
6B	Plane for 2 grinder		10705706	
7A	Coffee machine leg		38123568	
7B	Riser for coffee machine leg		38123852	
8A	Drawer door		100987.001	
8B	Drawer door with lock		100986.001	
9	Grounds drawer		38120100	
10	Drain tray grid		10781311	
11	Drain tray		10705801	
12	Drain connection		10705802	
13A	Ronis Lock		056753	
13B	Key to Ronis Lock		030626	
14A	Cover for powder coffee inlet without lock		10705707	
14B	Cover for powder coffee inlet with lock		38120099	
15	Screw	M4 x 8 mm	046844	
16	Retrofit kit ejection devise		101032.001	
17	O-Ring seal	Ø 14,0 x 1,78 mm	002240	
18	Clamp		39920015	
19	Bar left		100997.001	
20	Bar right		100996.001	

1.2 ONE, Housing: front housing



Egro Coffee Systems AG

A10871_01

5443 Niederrohrdorf
Switzerland

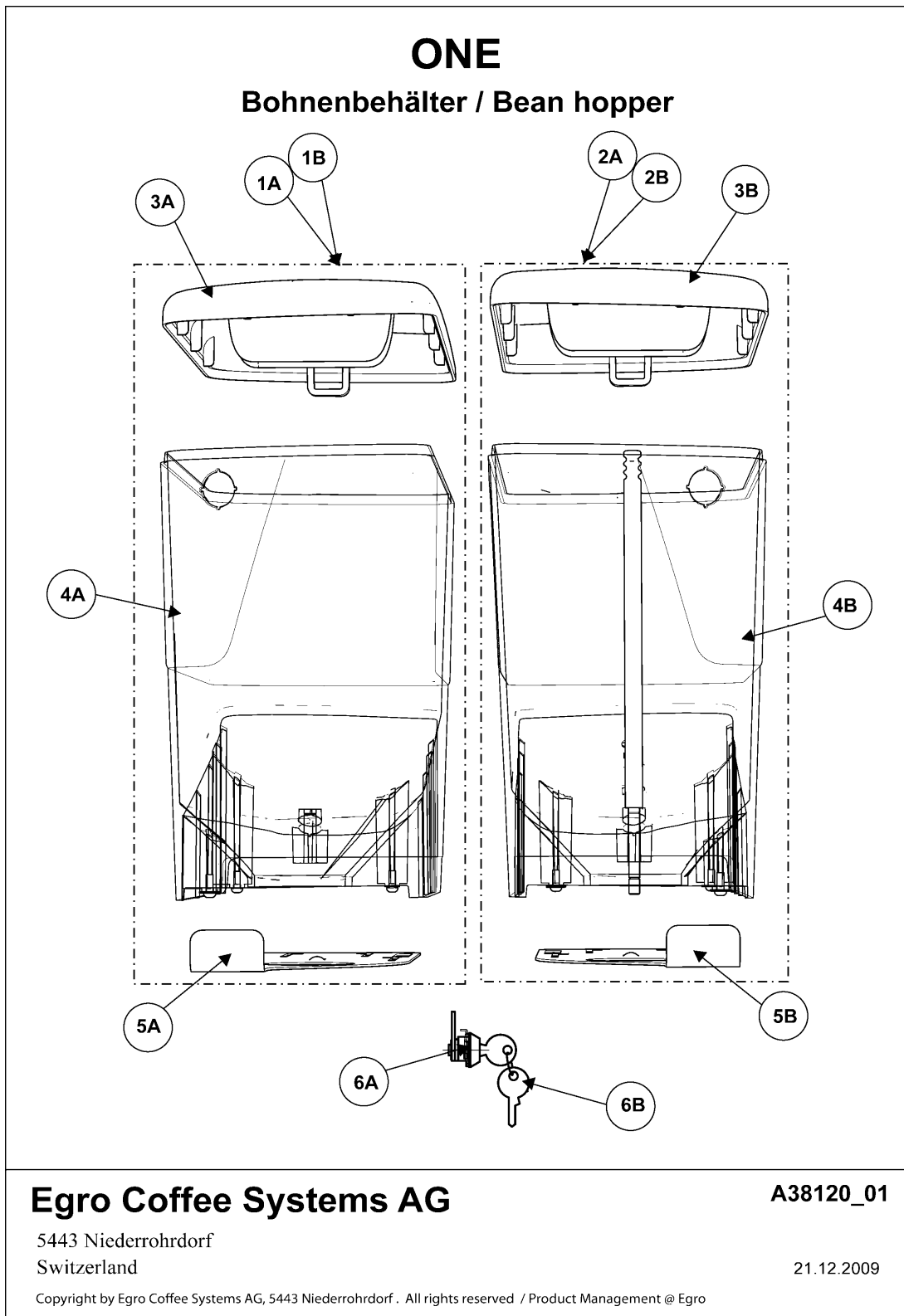
08.07.2010

Copyright by Egro Coffee Systems AG, 5443 Niederrohrdorf. All rights reserved / Product Management @ Egro

1.2 ONE, Housing: front housing

Pos.	Description	Dimensions	Part-No.	Lot size
1	Front Housing		21000010	
2	Egro logo smal		45010208	
3	Cover steam handel		38120088	
4	USB protection (Self)		32331410	
5A	Cover		10905117	
5B	Cover Quick Milk		10905122	
6	Illuminating LED		34070077	
7	Hose pinch valve		055455	
8	Cover steam spout		38120089	
9	Cover hot water spout		38120090	
10	Hing plate		10705710	
11	Srew	M 4 x 11mm	37040411	
12A	Air pump		100743.001	
12B	Air pump with bracket compl.		061106	
13	Hex socket head Screw	M4 x 10 mm	37040410	
14	Clamp		39920006	
15	Lock bolt		37901002	

1.3 ONE, Housing: Beans Hopper



1.3 ONE, Housing: Beans Hopper

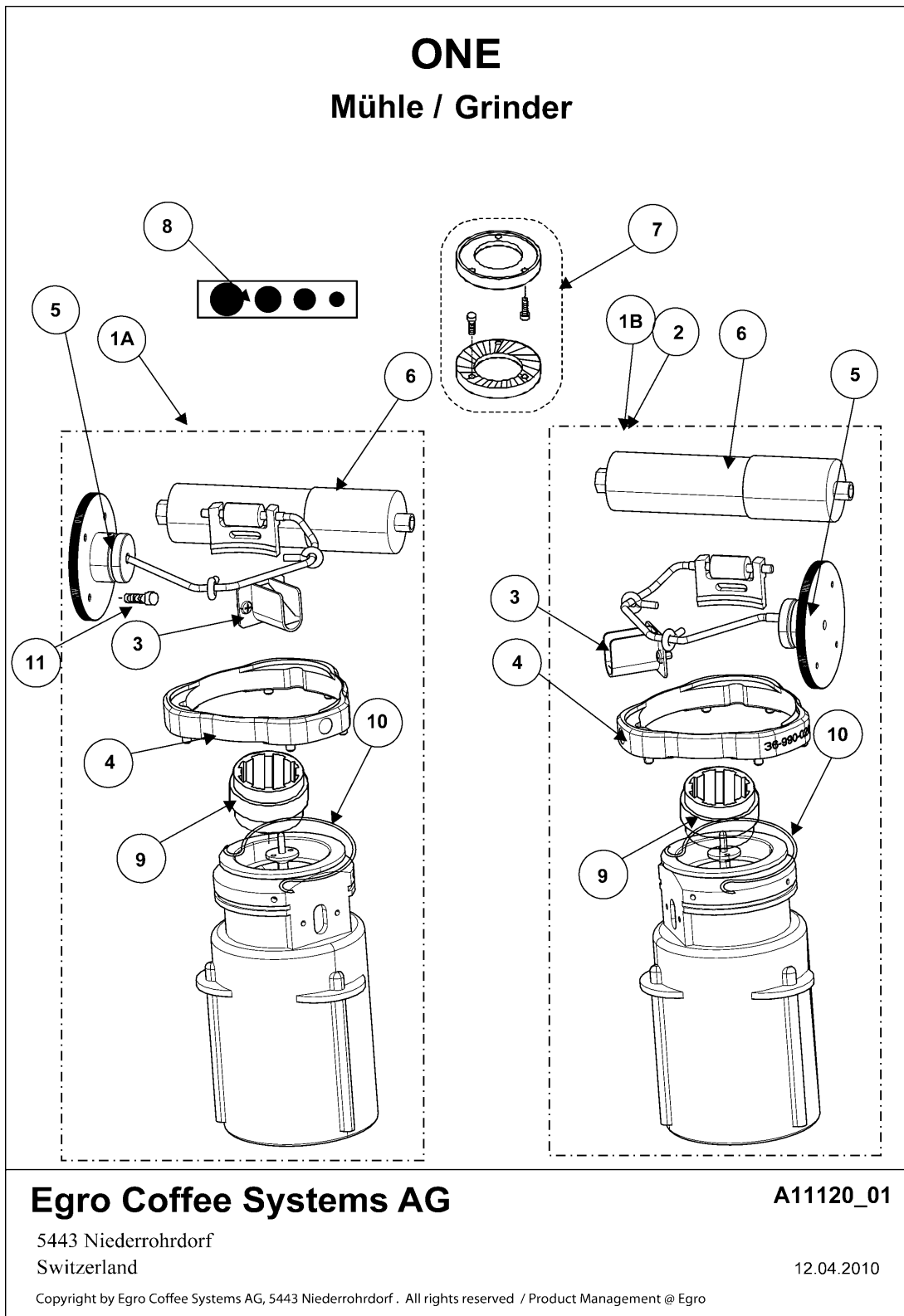
Pos.	Description	Dimensions	Part-No.	Lot size
1A	Bean Hopper assay. left without lock		100878.001	
1B	Bean Hopper assay. left with lock		100878.002	
2A	Bean Hopper assay. right without lock		100877.001	
2B	Bean Hopper assay. right with lock		100877.002	
3A	Bean Hopper cover left		38120076	
3B	Bean Hopper cover right		38120075	
4A	Bean Hopper left without lock		38120073	
4B	Bean Hopper right without lock		38120074	
5A	Slider beans Hopper left		32331404	
5B	Slider beans Hopper right		32331403	
6A	Lock assay. Ø 14,0 mm Ronis		100134.007	
6B	Key to Ronis Lock		030626	

Contents

2 ONE, Mechanical

2.1	ONE, Mechanical: Grinder	12
2.2	ONE, Mechanical: Water pump	14
2.3	ONE, Mechanical: Coffee boiler	16
2.4	ONE, Mechanical: Steam boiler	18
2.5	ONE, Mechanical: Steam valve block	20
2.6	ONE, Mechanical: Hot water valve block	22
2.7	ONE, Mechanical: Cold Water valve block	24
2.8	ONE, Mechanical: C-Steam spout	26
2.9	ONE, Mechanical: i-Steam spout	28
2.10	ONE, Mechanical: Hot Water spout	30
2.11	ONE, Mechanical: Brewing group	32
2.12	ONE, Mechanical: Spindle Motor, above end down	34
2.13	ONE, Mechanical: drain Water hose	37
2.14	ONE, Mechanical: Spout Coffee / Milk	39
	ONE, Mechanical: Coffee and hot Water spout	
	ONE, Mechanical: connecteur	
	ONE, Mechanical: Valves	

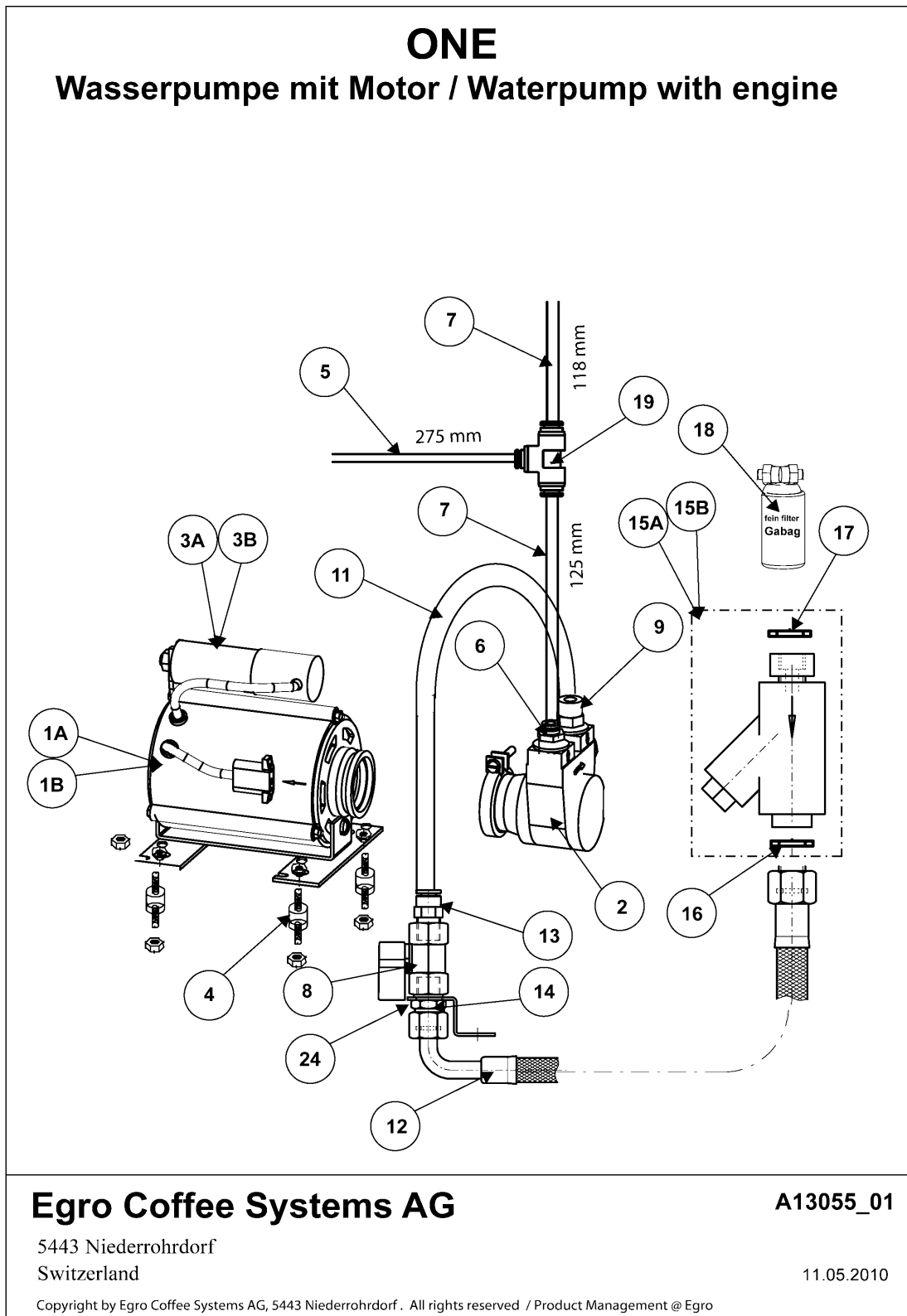
2.1 ONE, Mechanical: Grinder



2.1 ONE, Mechanical: Grinder

Pos.	Description	Dimensions	Part-No.	Lot size
1A	Grinder assay. 220V - 50/60Hz right		10705714	
1B	Grinder assay. 220V - 50/60Hz left		10705713	
2	Retrofit kit 2 grinder		101000.001	
3	Powder tube (standard)		100565.001	
4	Retrofit kit 2 grinder		36990026	
5	Grinder adjustment		69000370	
6	Capacitor 14 mF		101070.001	
7	Grinder Plates, pair Ø 54mm with Screw		046933	
8	Label grinder adjustment		45010157	
9	Seal (collar) / Grinder		36990025	
10	Stop Spring		101048.001	
11	Blocking screw	M8	69200073	

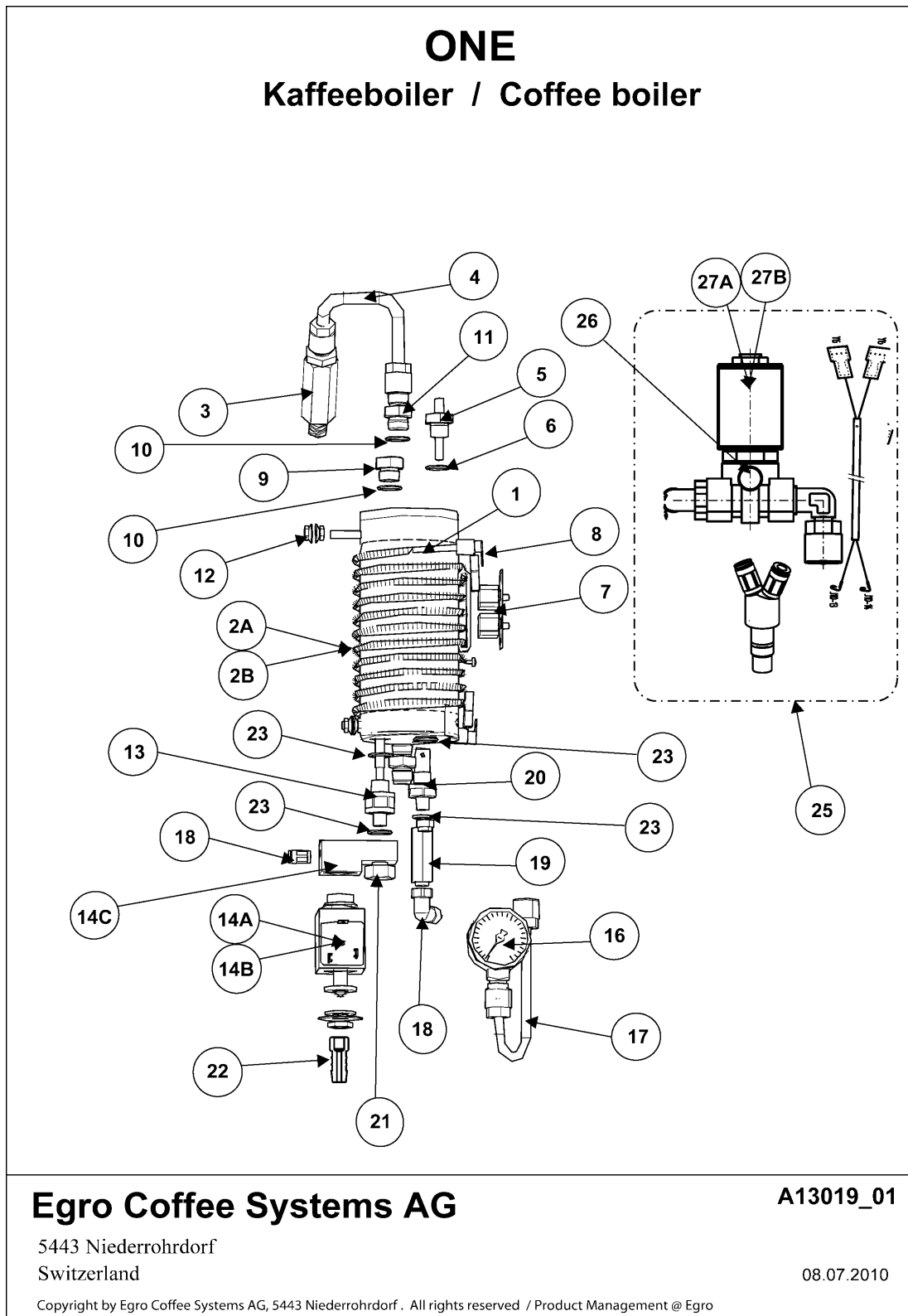
2.2 ONE, Mechanical: Water pump



2.2 ONE, Mechanical: Water pump

Pos.	Description	Dimensions	Part-No.	Lot size
1A	Pump Motor assay. 230 V		046297	
1B	Pump Motor assay. 200 V		046299	
2	Water pump with Clamp		039068	
3A	Capacitor assay. 6.3mF 230V		041256	
3B	Capacitor assay. 7.0 mF 200V		042324	
4	Round BeaRing		100071.001	
5	Teflon hose FOP	Ø 4,0 x 2,5 mm	050008.001	25m
6	Threaded male nipple	Ø R 3/8" x G 1/4"	041493	
7	Teflon hose FOP	Ø 6 x 4 mm	050007.001	25m
8	Ball Tape G 1/4"		048560	
9	Threaded male nipple	Ø 8 x G 3/8"	058108	
11	Teflon hose FEP	Ø 8 x 6 mm	058106	25m
12	Reinforced hose G 3/8" X 1500mm	L = 150 mm	100248.002	
13	Threaded male nipple	Ø 8 mm x G 1/4"	058107	
14	Rubbergasket	Ø 15,0 x 7,2 x 2,1 mm	058587	
15A	Water Filter assay.		046902	
15B	Pressure regulator		004415	
16	Copper Gasket	Ø 14 x 9 x 2 mm	019974	
17	Flat seal	Ø 18 x 13,5 x 2 mm	002752	
18	Water Filter Gabac		004418	
19	T - Connector	Ø 6 x 4 x 6 mm	100897.001	
24	Double nipple	Ø G3/8" x G 1/4"	010212	

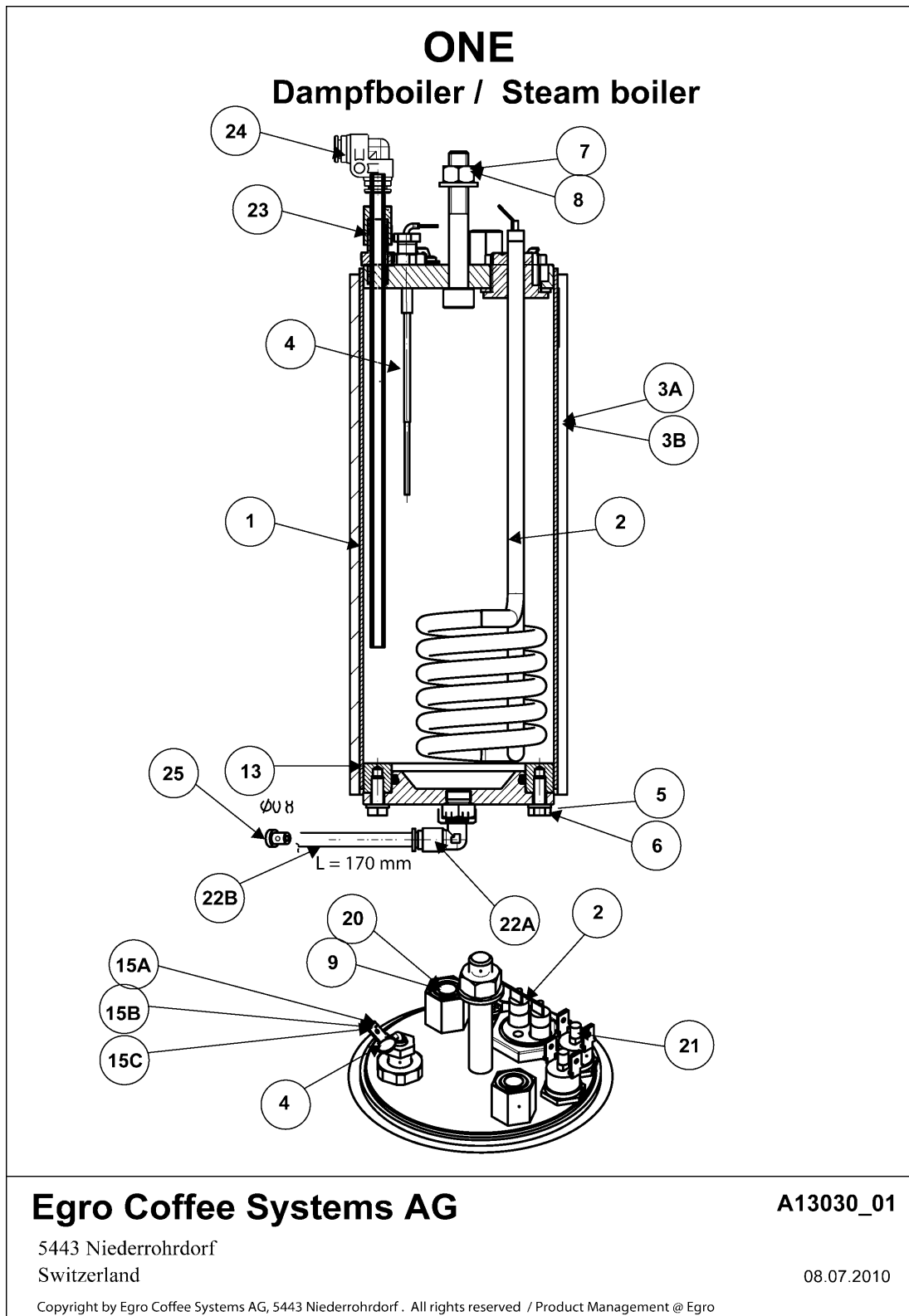
2.3 ONE, Mechanical: Coffee boiler



2.3 ONE, Mechanical: Coffee boiler

Pos.	Description	Dimensions	Part-No.	Lot size
1	Coffee boiler assay. 3 kW		054238	
2A	Insulation with adhesive Tape		054429	
2B	Adhesive Tape		054581	
3	Pressure relief valve 11 bar		055757	
4	Pressure relief valve with connection hose		055783	
5	Temperature sensor		100243.001	
6	Copper Gasket	Ø 16,5 X 13,2 X 1,5 mm	044464	
7	Temperature limiter 250 °C Twin (USA)		058836	
8			100124.001	
9	Plug srew	G 1/4"	100105.001	
10	O-Ring seal	Ø 12,42 x 1,78 mm	043366	50
11	Double nipple	Ø G 1/4" x G 1/4"	100059.001	
12	Keps Nut	M5	001521	
13	Connection to boiler withdrawal with O-Ring		054920	
14A	Operator kit 3/2 Ways Water (ACL) T30		100147.001	
14B	Plunger 3/2 Way (ACL) Water T30		100149.001	
14C	Brewing valve 3/2 Ways assay.		053785	
16	Pressure gauge	0 - 24 bar 1/4"	004695	
17	Pressure gauge assay. with connection Tube		054095	
18	Threaded male nipple Ø 4 x M5		055941	
19	Checkvalve	Ø G 1/4"	054067	
20	Adapter nipple with O-Ring	Ø G1/4"xG 1/8"	054236	1
21	hollow srew wit O-Ring		054923	1
22	Hose conector		23000151	
23	O-Ring seal	Ø 14,0 x 1,78 mm	002240	
25	Retrofit kit By Pass		101001.001	
26	2 Way solenoid (valve) water (ACL) T30		100558.001	
27A	Operator kit 2/2 Ways Water (ACL) T30		100559.001	
27B	Plunger 2/2 Way Water (ACL) T30		100560.001	

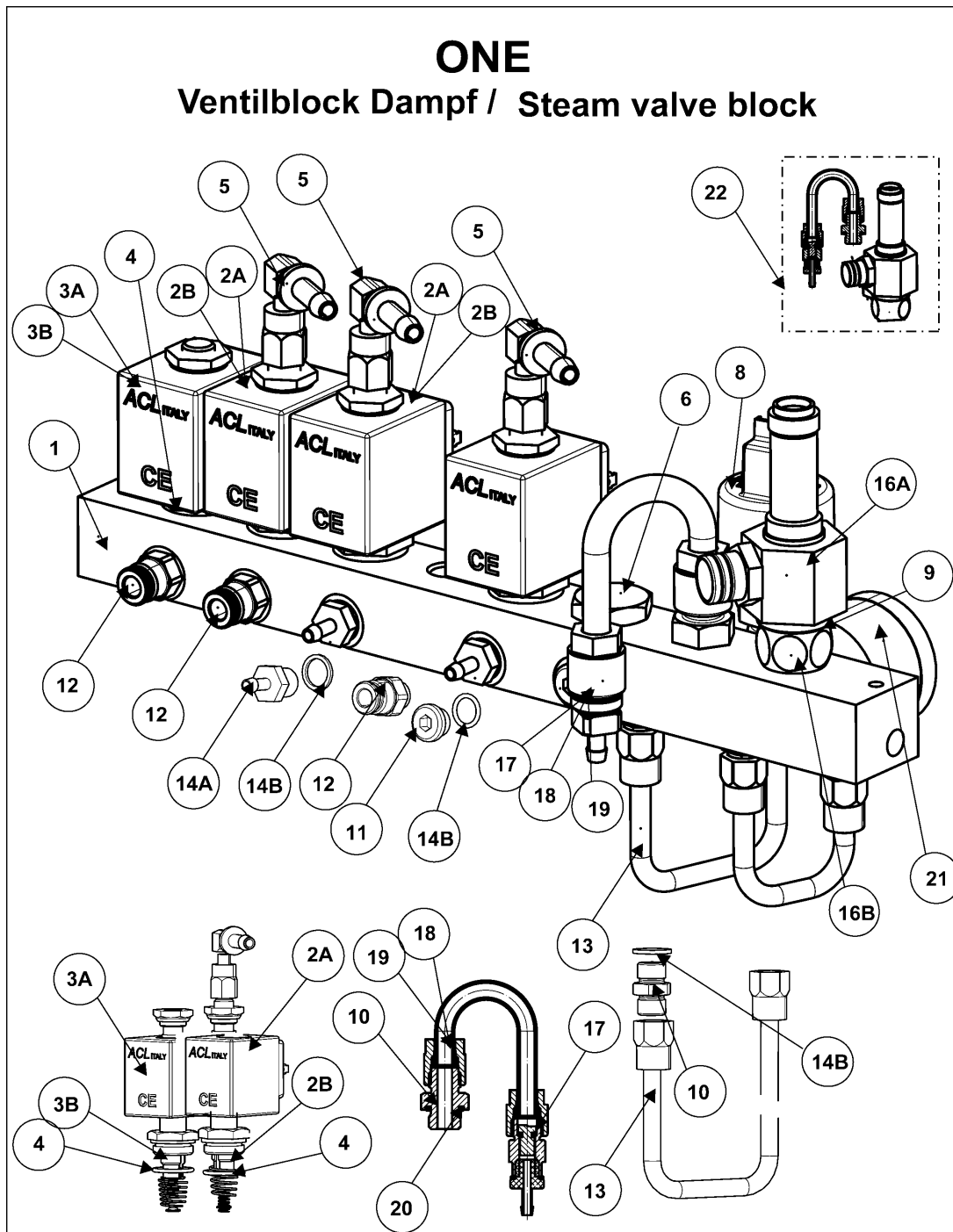
2.4 ONE, Mechanical: Steam boiler



2.4 ONE, Mechanical: Steam boiler

Pos.	Description	Dimensions	Part-No.	Lot size
1	Boiler assay. 230 V 3 kW		054076	
2	Heating element 230V 3 kW with Washer		054924	
3A	Insulation		054063	
3B	Adhesive Tape		054581	
4	Level sensor 140 mm G 1/4" with Gasket		100268.002	
6	Hex socket Screw M6 X 20 mm Stainless		017151	
5	Washer	Ø 6,4 x 12,5 x 1,6	001866	
7	Nut	M10	001484	
8	Washer	Ø 10.5 x 20 x 2	001894	
9	O-Ring seal	Ø 12,42 x 1,78 mm	043366	50
13	Gasket		100351.001	
15A	Plug in insert		003173	
15B	Crossed raised cheese head Screw	M4 x 8 mm	001070	
15C	Lock Washer	M4	030495	
20	Steam connection		100267.001	2
21	Temperature limiter 140 °C		100300.001	
22A	Threaded elbow, male	Ø 6 mm x G1/4"	100232.001	
22B	Teflon hose FOP	Ø 6 x 4 mm	050007.001	25m
23	Water suplay pipe		100798.001	
24	Angel plug-in connector	Ø 6 x 6 mm	100793.001	
25	Flow limiter	Ø 0,8 x 4 mm	100899.001	

2.5 ONE, Mechanical: Steam valve block



Egro Coffee Systems AG

A10260_01

5443 Niederrohrdorf
Switzerland

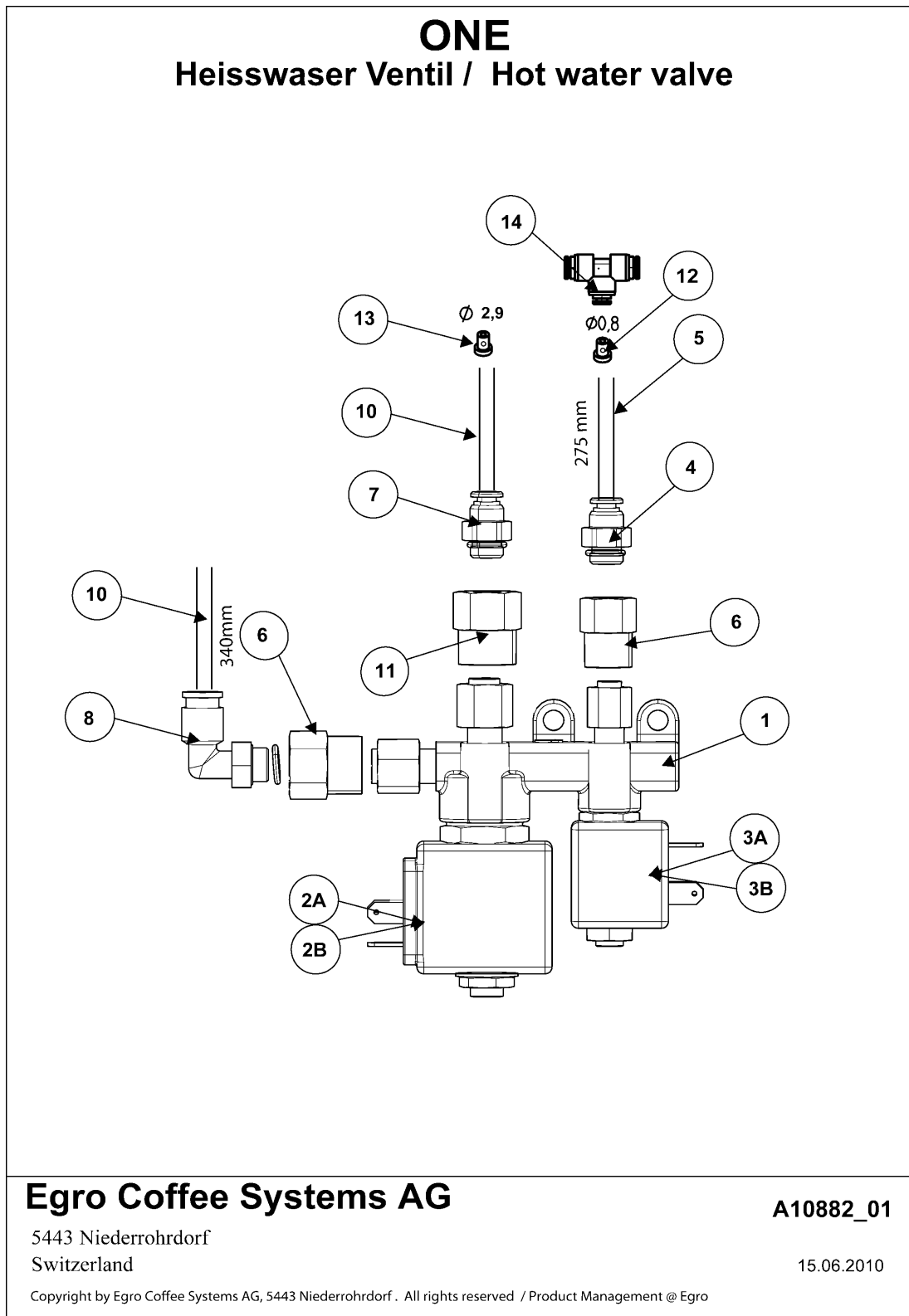
08.07.2010

Copyright by Egro Coffee Systems AG, 5443 Niederrohrdorf. All rights reserved / Product Management @ Egro

2.5 ONE, Mechanical: Steam valve block

Pos.	Description	Dimensions	Part-No.	Lot size
1	Steam valve block assay.		100825.001	
2A	Operator kit 3/2 Ways (ACL) Steam T30		100116.001	
2B	Plunger 3/2 Way assay. Steam (ACL) T30		100016.001	
3A	Operator kit 2/2 Ways (ACL) Steam T30		100156.001	
3B	Plunger 2/2 Way assay.(ACL) Steam T30		100159.001	
4	O-Ring seal	Ø 17,17 x 1,78 mm	100013.001	
5	Threaded elbow, male	Ø 6 mm x G1/8"	057912	
6	Catch plug		060160	
8	Pressure senser (Huba)		34200288	
9	Adapter nipple	Ø G 1/4" x 3/8"	100869.001	
10	Double nipple	Ø G 1/4" x G 1/4"	100059.001	
11	Locking Cap G 1/8" (USA)	G 1/8"	054560	1
12	Threaded male nipple	Ø 6 x G 1/8"	053752	
13	O-Ring seal		100797.001	
14A	Threaded male nipple with Washer	G 1/8"	054938	
14B	Copper Gasket	Ø 12,5 x 9,8 x 1,2 mm	009917	
16A	Relief valve, Steam		039067	
16B	Copper Gasket	Ø 14 x 9 x 2 mm	019974	
17	O-Ring seal	Ø 3,68 x 1,78 mm	040501	
18	Vacuum valve assay.		060262	1
19	O-Ring seal	Ø 12,42 x 1,78 mm	043366	50
20	O-Ring seal	Ø 9x1.5mm	100058.001	
21	Pressure gauge 4 bar		100236.001	
22	Retrofitkit Security valve + vacuum valve		101093.001	

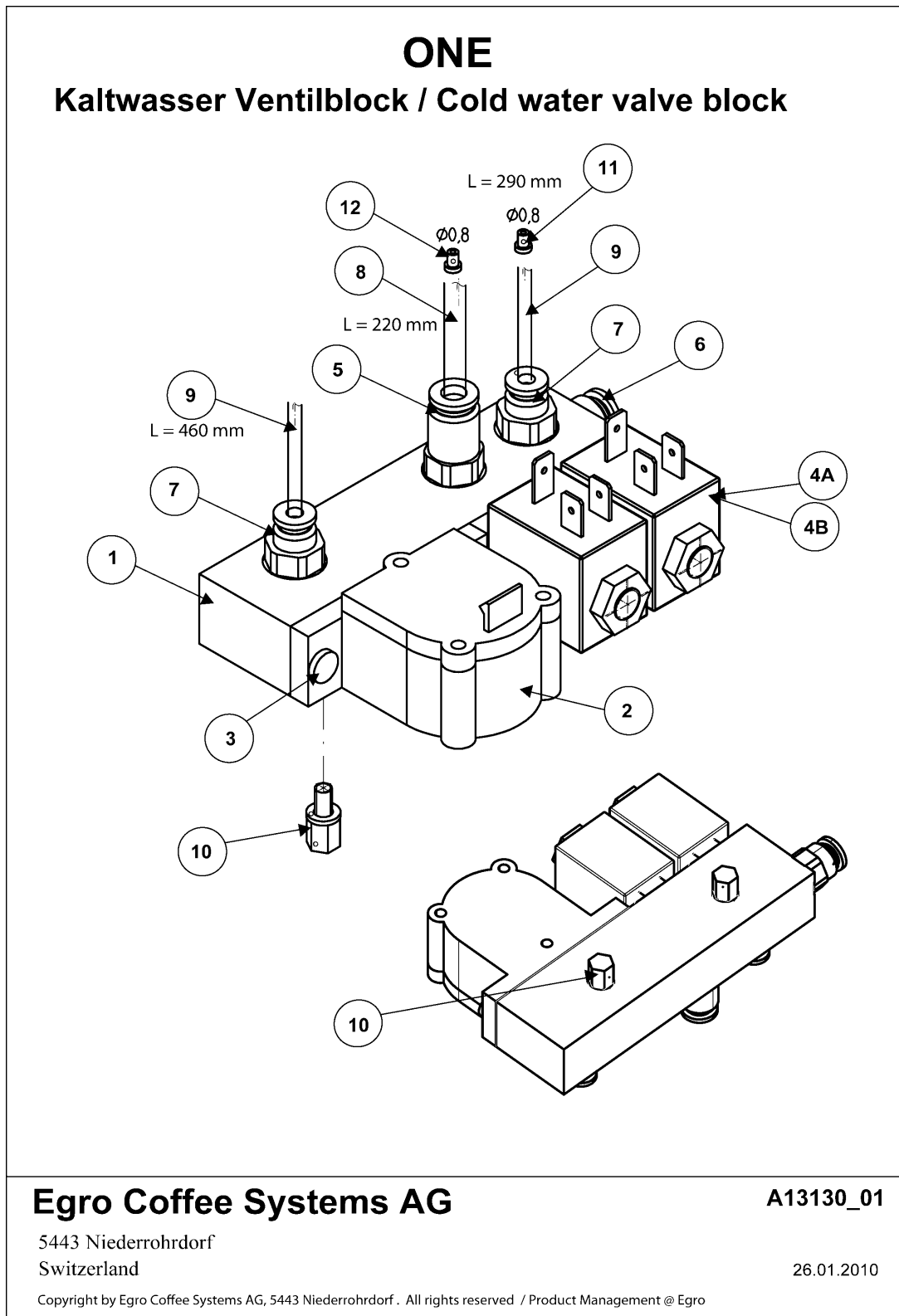
2.6 ONE, Mechanical: Hot water valve block



2.6 ONE, Mechanical: Hot water valve block

Pos.	Description	Dimensions	Part-No.	Lot size
1	Hot water valve		10705933	
2A	Operator kit 2/2 Ways hot water (T30)		34049011	
2B	Plunger 2/2 Ways hot water (T30)		34049013	
3A	Operator kit 2/2 Ways cold water (T22)		34049012	
3B	Plunger 2/2 Ways cold water (T22)		34049014	
4	Threaded male nipple	Ø 4 x G 1/8"	053751	
5	Teflon hose FOP	Ø 4,0 x 2,5 mm	050008.001	25m
6	Sleeve	M12 x 1 G 1/8"	100867.001	
7	Threaded male nipple	Ø 6 x G 1/8"	053752	
8	Angle male nipple	Ø G1/8" x 6 mm	060233	
10	Teflon hose FOP	Ø 6 x 4 mm	050007.001	25m
11	Sleeve	M10 x 1 G 1/8"	100868.001	
12	Flow limiter set	Ø 0,4-1,2mm	100213.001	
13	Flow limiter	Ø 2.9 x 4 mm	100939.001	
14	T - Connector	Ø 6 x 4 x 6 mm	100897.001	

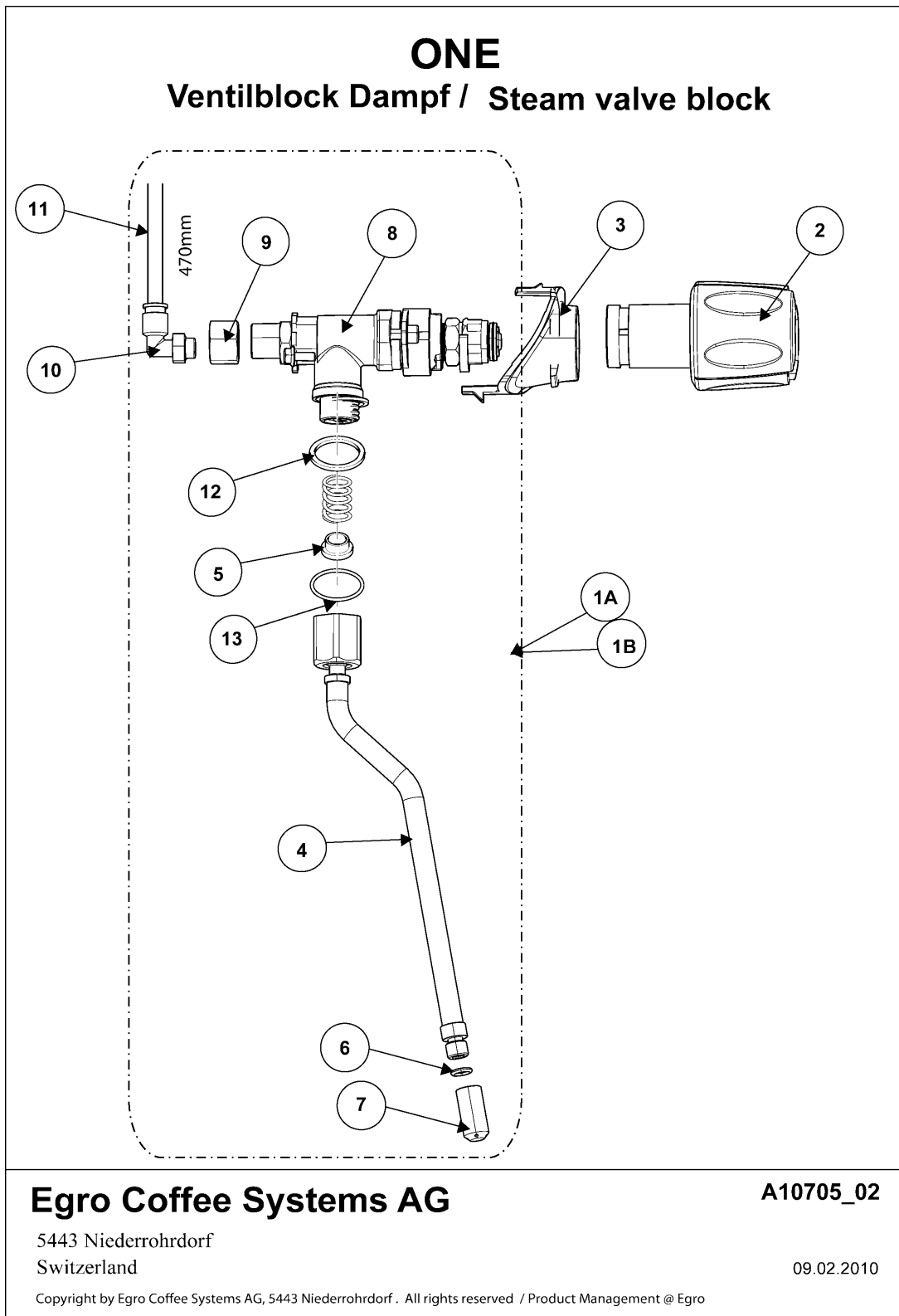
2.7 ONE, Mechanical: Cold Water valve block



2.7 ONE, Mechanical: Cold Water valve block

Pos.	Description	Dimensions	Part-No.	Lot size
1	Cold Water valve block assay.		100313.001	
2	Flowmeter with O-Rings		053558	
3	O-Ring seal set		055294	
4A	Operator kit 2/2 way water (ACL) T22		100845.005	
4B	Plunger 2/2 way water (ACL) T22		100847.005	
5	Non-return valve	Ø 6 x G 1/8"	100233.001	
6	Threaded male nipple	Ø 6 x G 1/8"	053752	
7	Threaded male nipple	Ø 4 x G 1/8"	053751	
8	Teflon hose FOP	Ø 6 x 4 mm	050007.001	25m
9	Teflon hose FOP	Ø 4,0 x 2,5 mm	050008.001	25m
10	Spacers		046192	
11	Flow limiter set	Ø 0,4-1,2mm	100213.001	
12	Flow limiter	Ø 0,8 x 4 mm	100899.001	

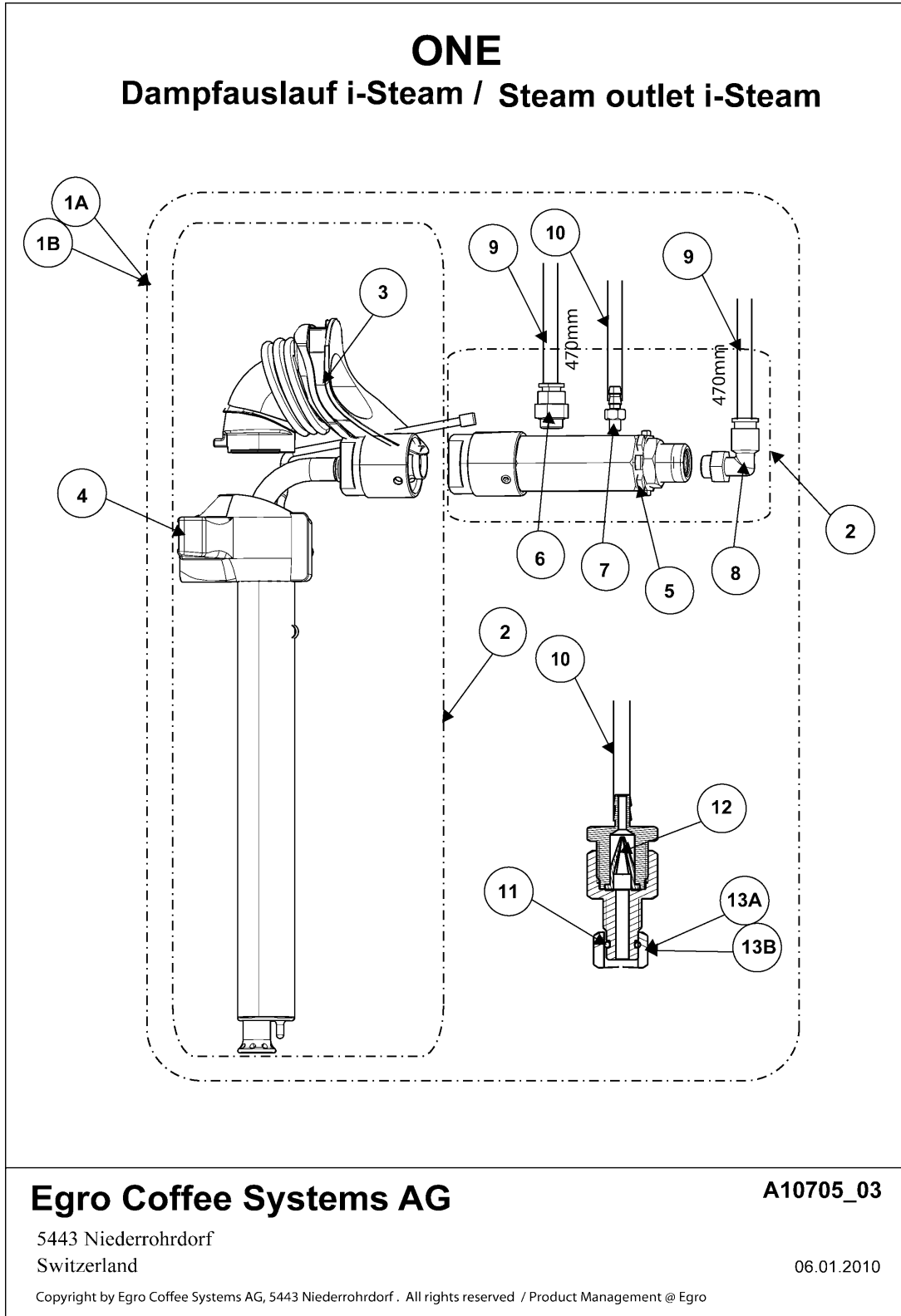
2.8 ONE, Mechanical: C-Steam spout



2.8 ONE, Mechanical: C-Steam spout

Pos.	Description	Dimensions	Part-No.	Lot size
1A	Steam Tap assay.		10705705	
1B	Retrofitkit C-Steam		100998.001	
2	Handle assay.		10060183	
3	Cover		38120087	
4	Pipe		30001027	
5	Seal		36930016	
6	O-Ring seal		36404022	
7	Nozzle		25111006	
8	Steam spout		10060101	
9	Sleeve		100855.001	
10	Angle male nipple	Ø G1/8" x 6 mm	060233	
11	Teflon hose FOP	Ø 6 x 4 mm	050007.001	25m
12	Seal		36220009	
13	Joint		36930017	

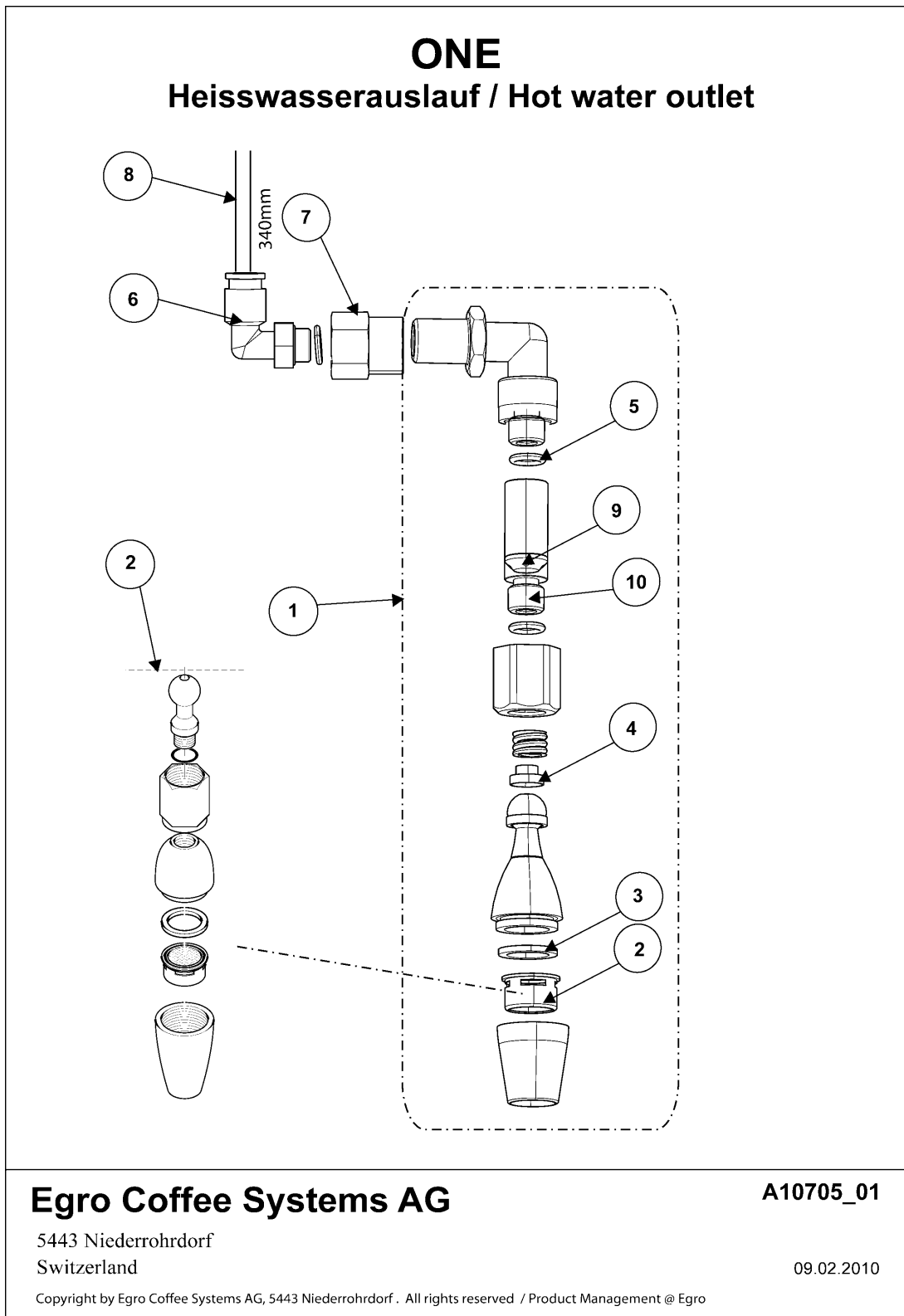
2.9 ONE, Mechanical: i-Steam spout



2.9 ONE, Mechanical: i-Steam spout

Pos.	Description	Dimensions	Part-No.	Lot size
1A	i-Steam assay.		10705590	
1B	i-Steam retrofit kit		100999.001	
3	Rubber		36990024	
5	O-Ring seal	Ø 12,42 x 1,78 mm	043366	50
6	Threaded male nipple	Ø 6 x G 1/8"	053752	
7	Threaded male nipple	Ø M5 x 4 mm	100495.001	
8	Angle male nipple	Ø G1/8" x 6 mm	060233	
9	Teflon hose FOP	Ø 6 x 4 mm	050007.001	25m
10	Teflon hose FOP	Ø 6,0 x 3,0 mm	050010.001	25m
11	O-Ring seal	Ø 7,65 x 1,78 mm	039443	
12	Spout valve		36230017	
13A	Flow limiter	Ø 0,25 mm	100469.001	
13B	Flow limiter	Ø 0,35 mm	100470.001	

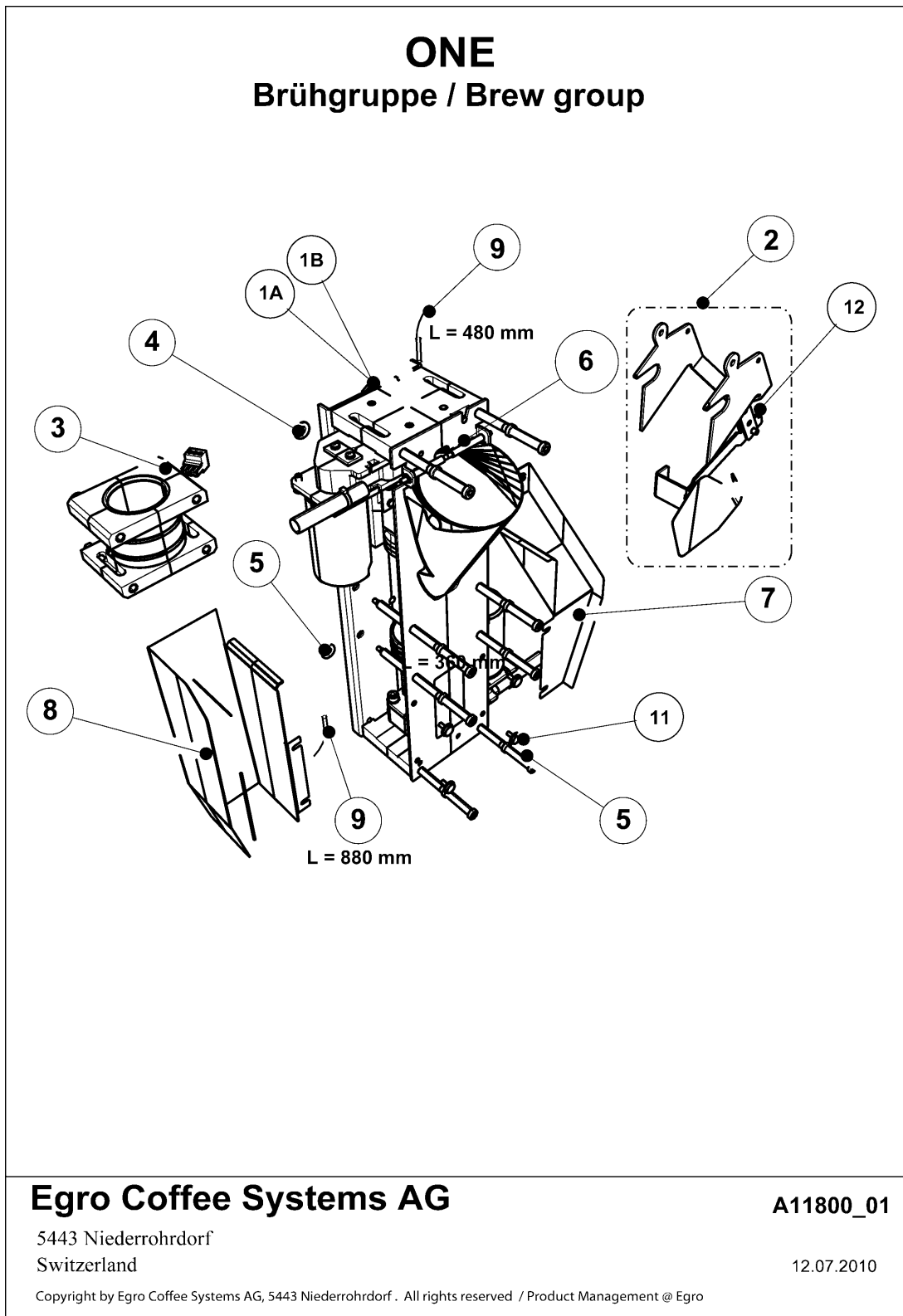
2.10 ONE, Mechanical: Hot Water spout



2.10 ONE, Mechanical: Hot Water spout

Pos.	Description	Dimensions	Part-No.	Lot size
1	Hot Water spout assy.		10705245	
2	Nepal mixing nozzle G 3/8"		10049014	
3	Seal		36301040	
4	Seal		36930016	
5	Seal		36220009	
6	Angle male nipple	Ø G1/8" x 6 mm	060233	
7	Sleeve		100855.001	
8	Teflon hose FOP	Ø 6 x 4 mm	050007.001	25m
9	Extention	Ø 12 x 23 mm	23000144	

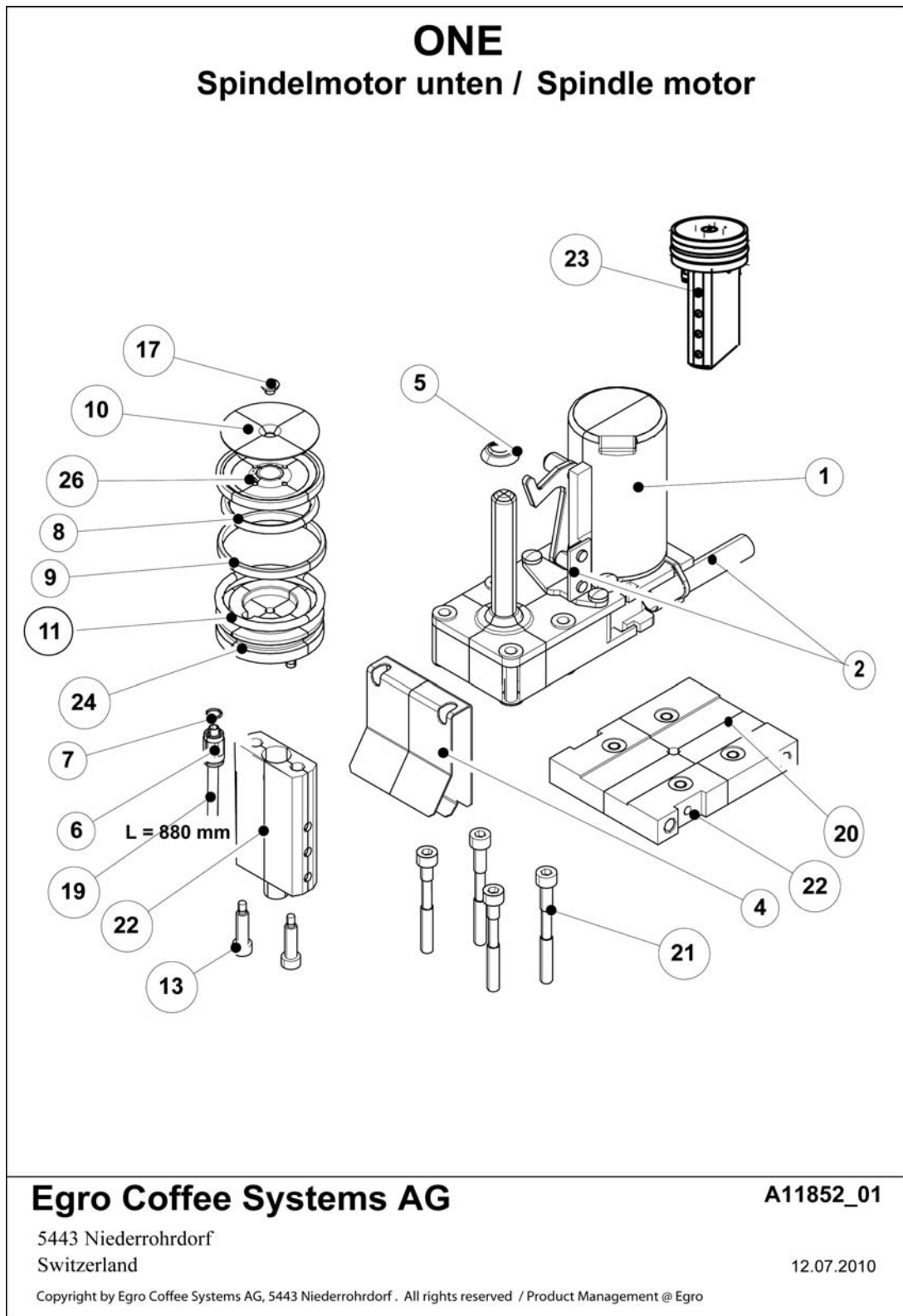
2.11 ONE, Mechanical: Brewing group



2.11 ONE, Mechanical: Brewing group

Pos.	Description	Dimensions	Part-No.	Lot size
1A	Brewing group assay. NBUP		101087.001	
1B	Brewing group assay. replacement		101087.099	
2	Ejector assay.		057101	
3	Brewing cylinder assay. with Heater		054087	
4	Keps Nut	M5	001521	
5	Bolt with Nut M4		054940	
6	Transmission assay.		060858	
7			048747	
8			053601	
9	Teflon hose FOP	Ø 4,0 x 2,5 mm	050008.001	25m
11	Screw	M4 x 8 mm	046844	
12	Spring		053559	

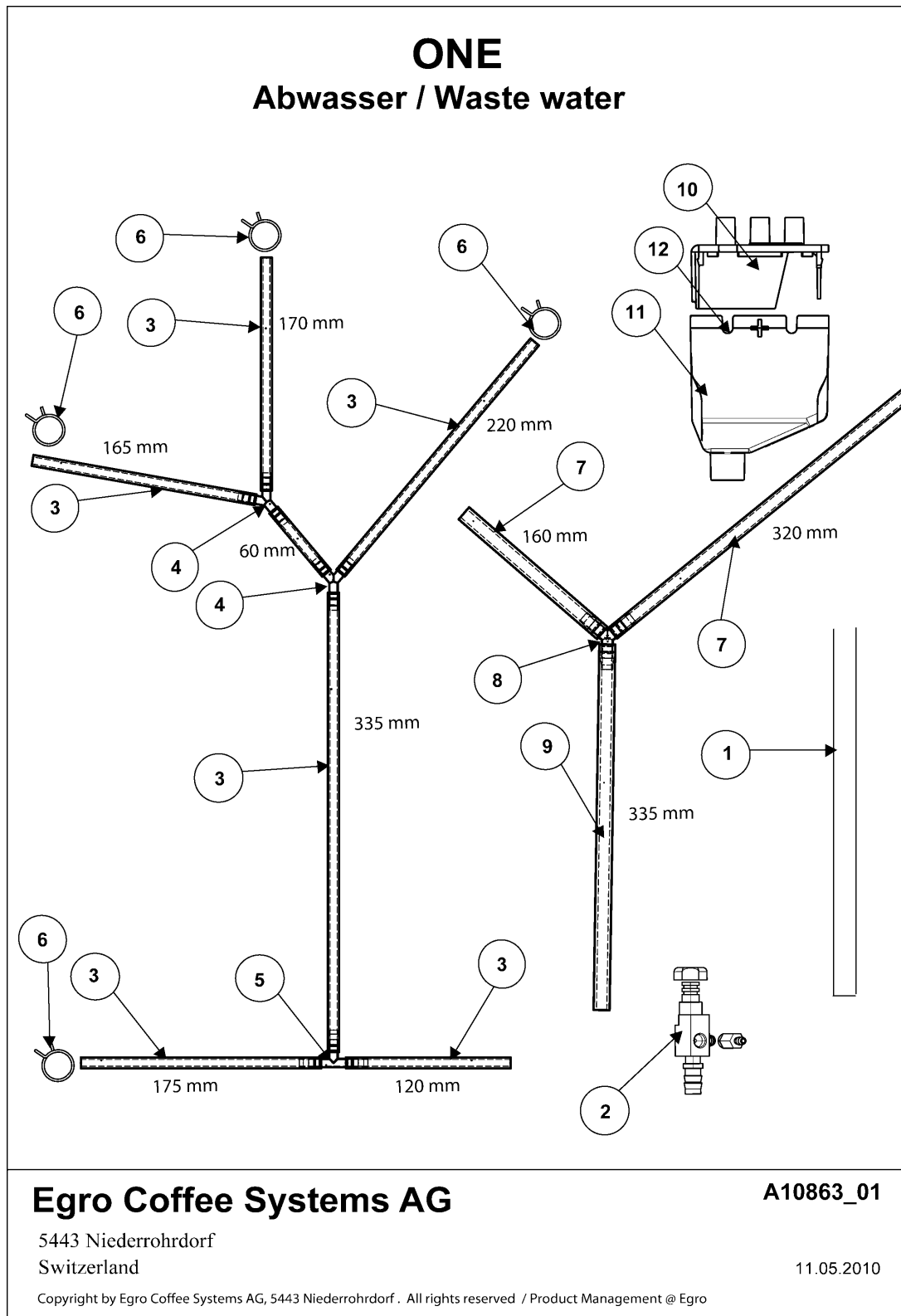
2.12 ONE, Mechanical: Spindle Motor, above end down



2.12 ONE, Mechanical: Spindle Motor, above end down

Pos.	Description	Dimensions	Part-No.	Lot size
1	Spindle-Motor DC 24 V assy.		055838	
2	Wiring set, spindle-Motor with Hall sensor		053602	
3	Upper piston assy. NBUP Ø 44,0mm		100514.001	
4	Piston guide Plate		100523.001	
5	Ring Gasket		047905	
6	Threaded male nipple	Ø 4 x M5	100046.001	
7	O-Ring seal	Ø 4 x 1,2 mm	060283	100
8	O-Ring seal silicone red	Ø 31,35 x 3,53 mm	100136.001	50
9	Turcon seal	Ø 32 x 44 x 4,2 mm	039064	
10	Brewing sieve	Ø 44 mm	060116	
11	O-Ring seal Silicone transparent	Ø 36,09 x 3,53 mm	100506.001	
12	Flow limiter Ø 0.7mm		048550	
13	Hex socket head Screw M4 x 15 mm for peek piston		048548	
14	Upper lower Piston part		100524.001	
15	Filter carrier		054861	
16	Piston shaft		048526	
17	Countersunk Screw	M4 x 12 mm	001176	
19	Teflon hose FOP	Ø 4,0 x 2,5 mm	050008.001	25m
20	Drive Plate		053748	
21	Hex socket head Screw	M5 x 30 mm	000935	
22	Guiding pin		054220	
23	Lower brewing piston NBUP Ø 44,0mm		100510.001	
24	Lower Piston part		100511.001	
25	Bracket for upper piston		054433	
26	Hex socket head Screw	M4 x10 mm	000928	
27	Nut		045032	

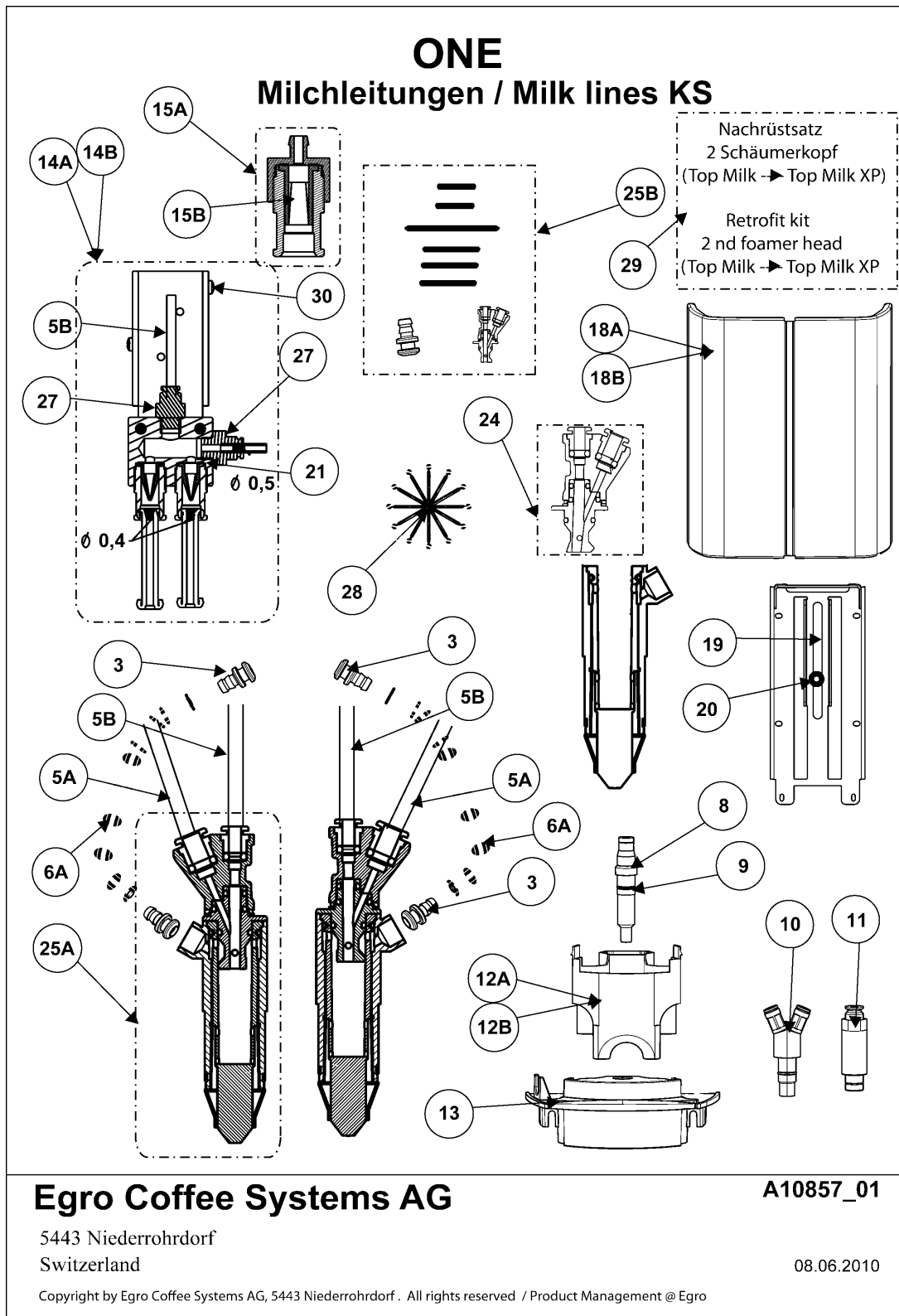
2.13 ONE, Mechanical: drain Water hose



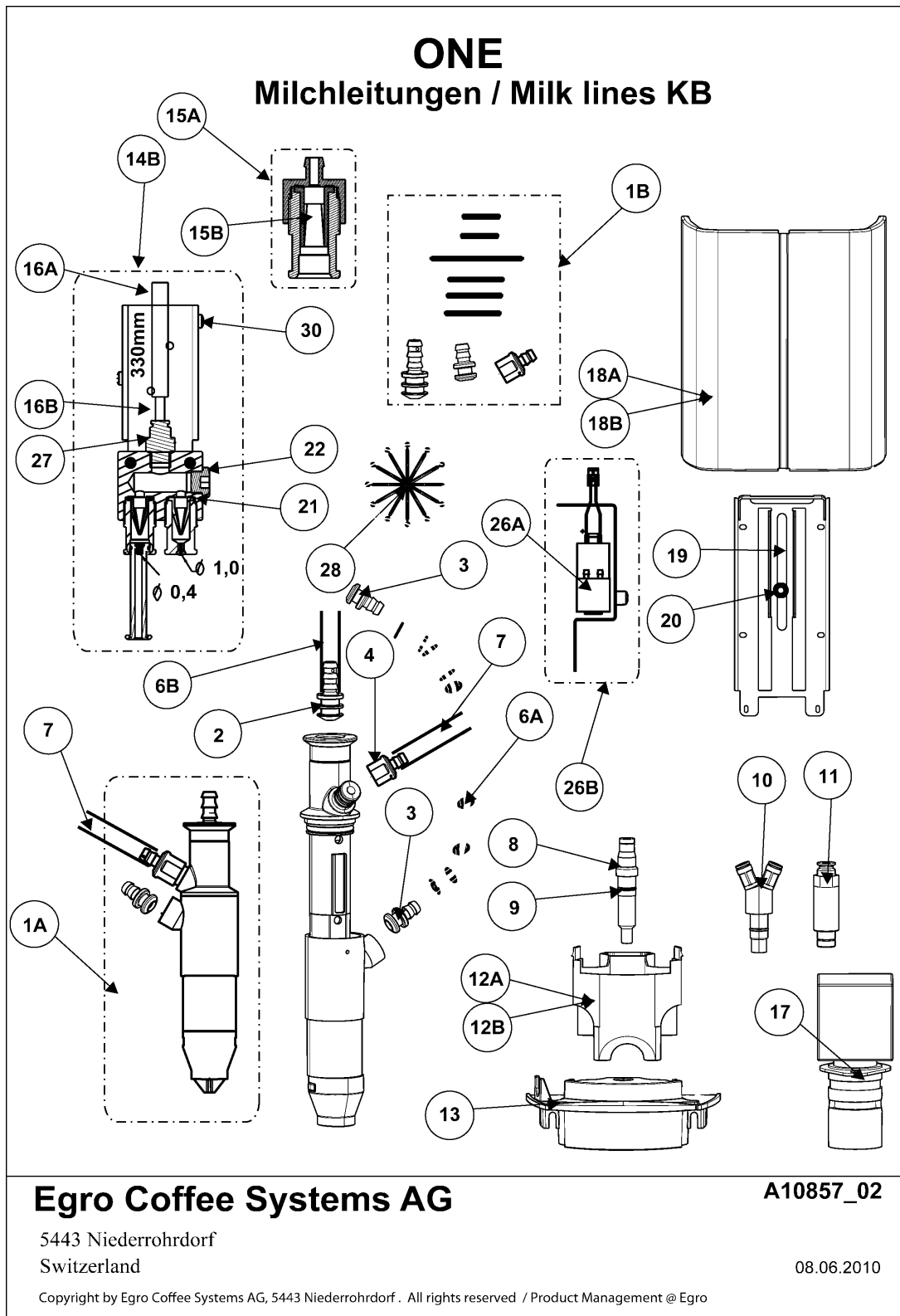
2.13 ONE, Mechanical: drain Water hose

Pos.	Description	Dimensions	Part-No.	Lot size
1	Hose PVC	Ø 20,0 x 14,0 mm	004468	25m
2	Drain connection		10705802	
3	Silicon hose	Ø 7 x 4 mm	048474	25m
4	Y unit		055748	
5	T Hose link Ø 6 mm		049643	
6	Wire hose clip	Ø 6,8 mm	055790	100
7	Silicon hose	Ø 14 x 9 mm	004473	25m
8	Y connector	Ø 3 x 10 mm	100950.001	
9	Silicon hose	Ø 12 x 8 mm	004475	25m
10	Drain collector upper part		38120110	
11	Drain collector lower part		38120109	
12	Screw	M5 x 12mm	37175012	

2.14 ONE, Mechanical: Spout Coffee / Milk



2.14 ONE, Mechanical: Spout Coffee / Milk



2.14 ONE, Mechanical: Spout Coffee / Milk

Pos.	Description	Dimensions	Part-No.	Lot size
1A	Mixer kit 1 50 + 70 Series		100064.001	
1B	O-Ring seal set to foaming head Series 50/70		056913	
2	Steam connection		100062.002	
3	Air Connection		100063.001	
4	Milk Connection		100032.001	
5A	Teflon hose FOP	Ø 4,0 x 2,5 mm	050008.001	25m
5B	Teflon hose FOP	Ø 6 x 4 mm	050007.001	25m
6A	Teflon hose FOP	Ø 6,0 x 3,0 mm	050010.001	25m
6B	Silicon hose pink	Ø 6,0 x 3,0 mm	049037	25m
7	Silicon hose blue (KB) 50shore	Ø 7,0 x 4,0 mm	060162	25m
8	Coffee spout without Checkvalve		050096	
9	O-Ring seal	Ø 8 x 1 mm	002207	
10	Pressure valve IMS		050095	
11	Hot Water spout by self service		054647	
12A	Flow Cup Standardt		047078	
12B	Flow Cup Self		047077	
13	Bracket		10705711	
14A	Air valve Top Milk		10705806	
14B	Air valve Quick Milk		10705807	
15A	Valve insert		10705804	
15B	Spout valve		36230017	
16A	Silicon hose	Ø 7,0 x 3,0 mm	049209	25m
16B	Double plug-in nipple		055974	
17	Hose pinch valve		055455	
18A	Cover		10905117	
18B	Cover Quick Milk		10905122	
19			32331405	
20	Screw with Spring assay.		054944	
21	O-Ring seal	Ø 8 x 1 mm	100054.001	
22	Locking Cap G 1/8" with seal	G 1/8"	054935	1
23	Housing		38120108	
24	Foaming head		100774.003	
25A	Mixer kit		100775.003	

2.14 ONE, Mechanical: Spout Coffee / Milk

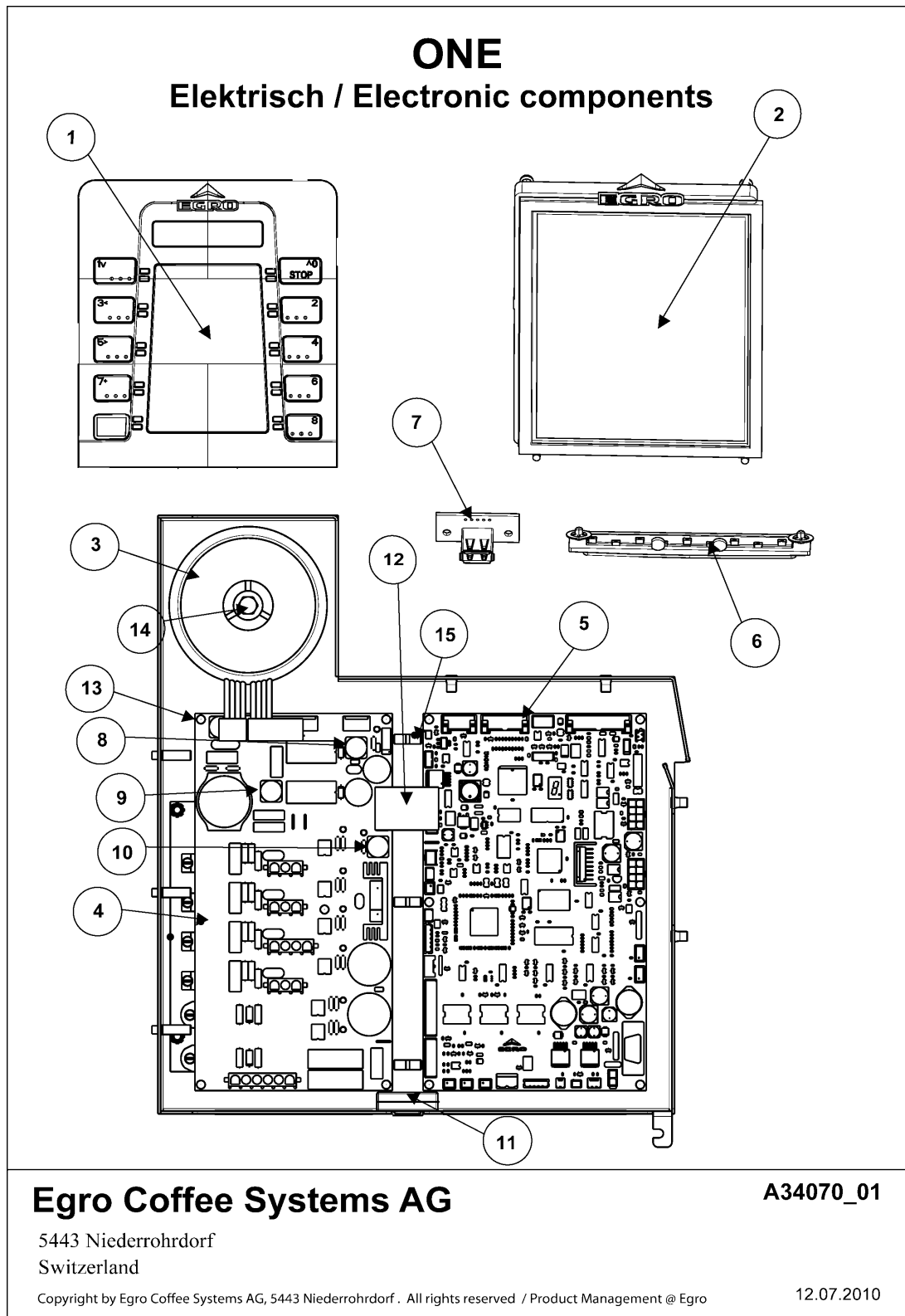
Pos.	Description	Dimensions	Part-No.	Lot size
25B	O-Ring seal set to foaming head		056916	
26A	Air pump		100743.001	
26B	Air pump with bracket compl.		061106	
27	Threaded male nipple	Ø 4 x G 1/8"	053751	
28	Flow limiter set	Ø 0,4-1,2mm	100213.001	
29	Up grade kit 2end Foamer head (Top Milk XP)		061110	
30	Raised cheese head Screw	M3 x 6 mm	001062	

Contents

3 ONE, Electronic

3.1	ONE, Electronic: Electrical components	44
3.2	ONE, Electronic: Electrical circuits set	46
3.3	ONE, Electronic Accessoires.....	43

3.1 ONE, Electronic: Electrical components



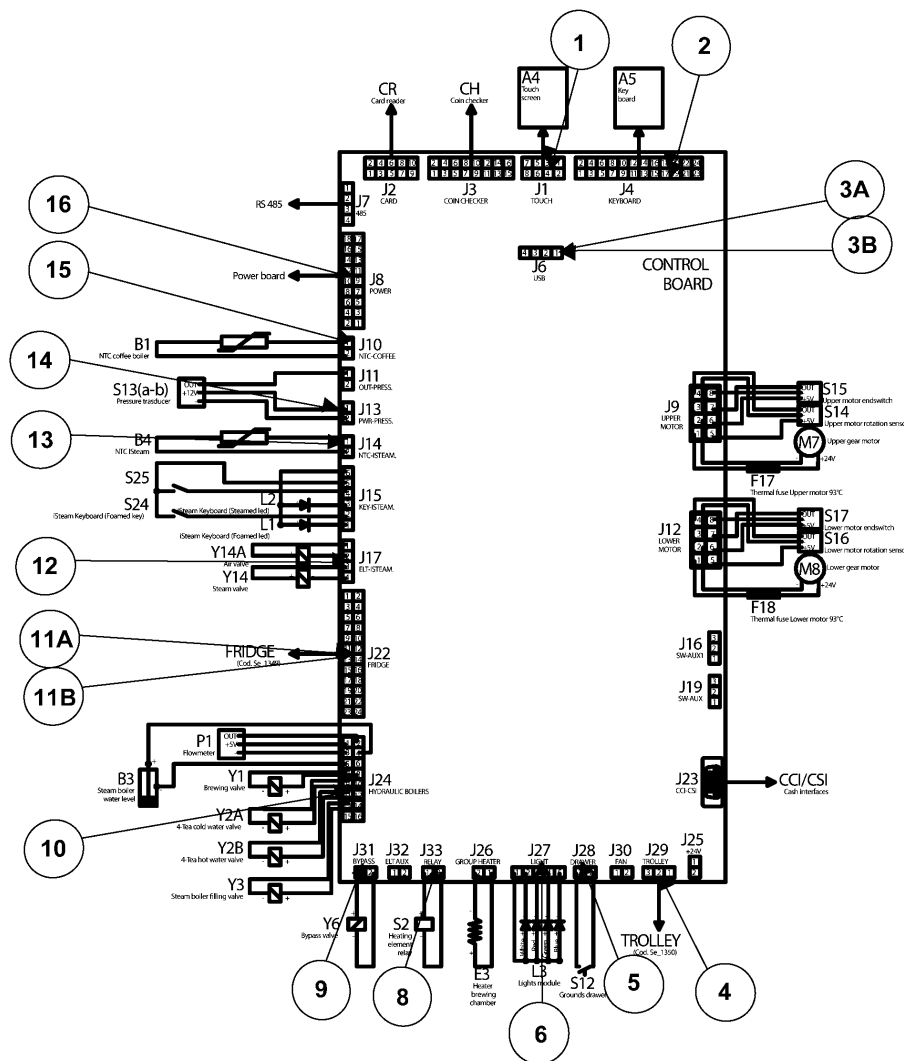
3.1 ONE, Electronic: Electrical components

Pos.	Description	Dimensions	Part-No.	Lot size
1	Keypad		10705964	
2	Touchpad		10705965	
3	Transformer		34200269	
4	Power supply		10705962	
5	Main Board		10705963	
6	Illuminating LED		34070077	
7	Wiring set J6		34070075	
8	Fuse	T8A 250V 5x20mm	003285	10Stück
9	Miniature fuse F5AH / 5 x 20mm 250V	F6,3A 250V	003280	10Stück
10	Fuse	T 2A 250V 5x20mm	053604	
11	Fuse box		38123598	
12	Wiring set J8 - J8		10110701	
13	Clip		34200346	
14	Plastic srew	M6 x 60 mm	37000660	
15	Cable clip		34200344	

3.2 ONE, Electronic: Electrical circuits set

ONE

Leitungssätze / Circuits set



Egro Coffee Systems AG

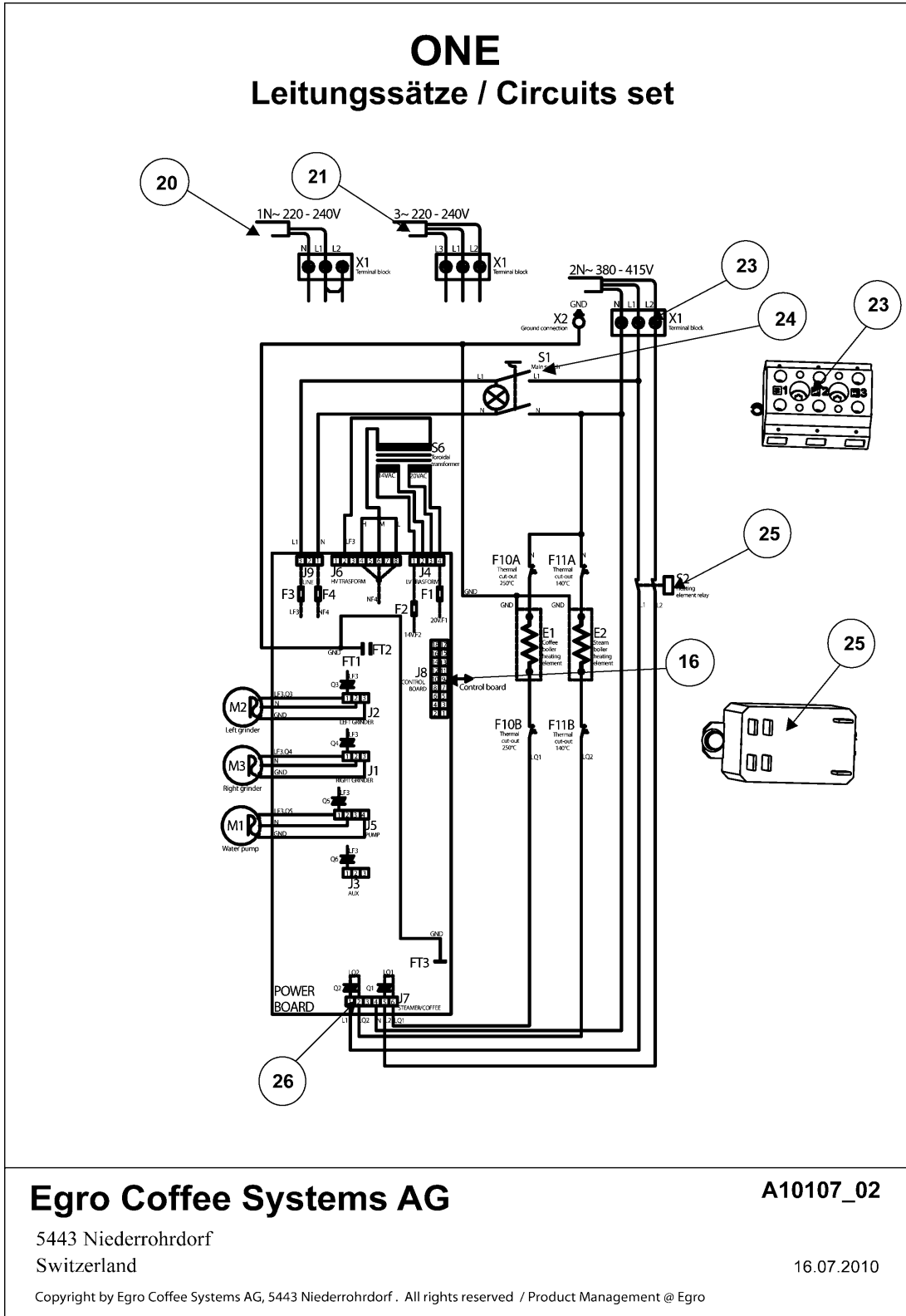
A10107_01

5443 Niederrohrdorf
Switzerland

04.02.2010

Copyright by Egro Coffee Systems AG, 5443 Niederrohrdorf. All rights reserved / Product Management @ Egro

3.2 ONE, Electronic: Electrical circuits set



3.2 ONE, Electronic: Electrical circuits set

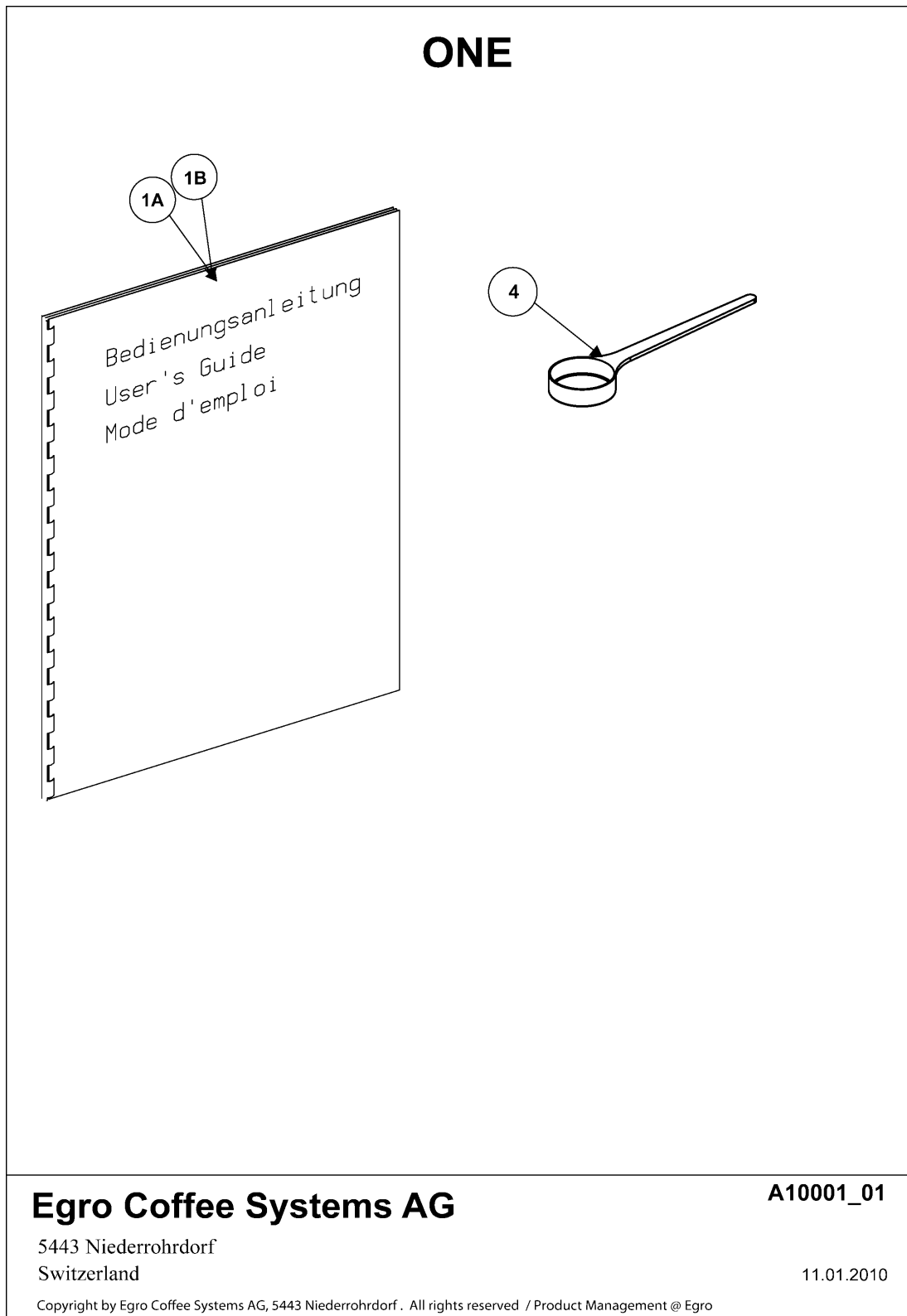
Pos.	Description	Dimensions	Part-No.	Lot size
1	Wiring set J		10110705	
2	Flat cable, IO print, to Keyboard	L = 600mm	044846	
3A	Wiring set J6		34070075	
3B	Wiring set J6		34070076	
4	Wiring set J29		10110714	
5	Wiring set J28		10110717	
6	Wiring set J27		24070077	
8	Wiring set J33		10110716	
9	Wiring set J31		10110704	
10	Wiring set J24		10110702	
11A	Wiring set J22 KS XP		10110709	
11B	Wiring set J22 KB Quick Milk		10110715	
12	Wiring set J17		10110703	
15	Wiring set J10		10110712	
16	Wiring set J8 - J8		10110701	
22	Power supply cable	2N-380 - 415V	34300079	
23	Connecting terminal 3 P (USA)		053952	
24	Main switch		34030077	
25	Heating element relay		34200289	
26	Wiring set J7		10110707	

Contents

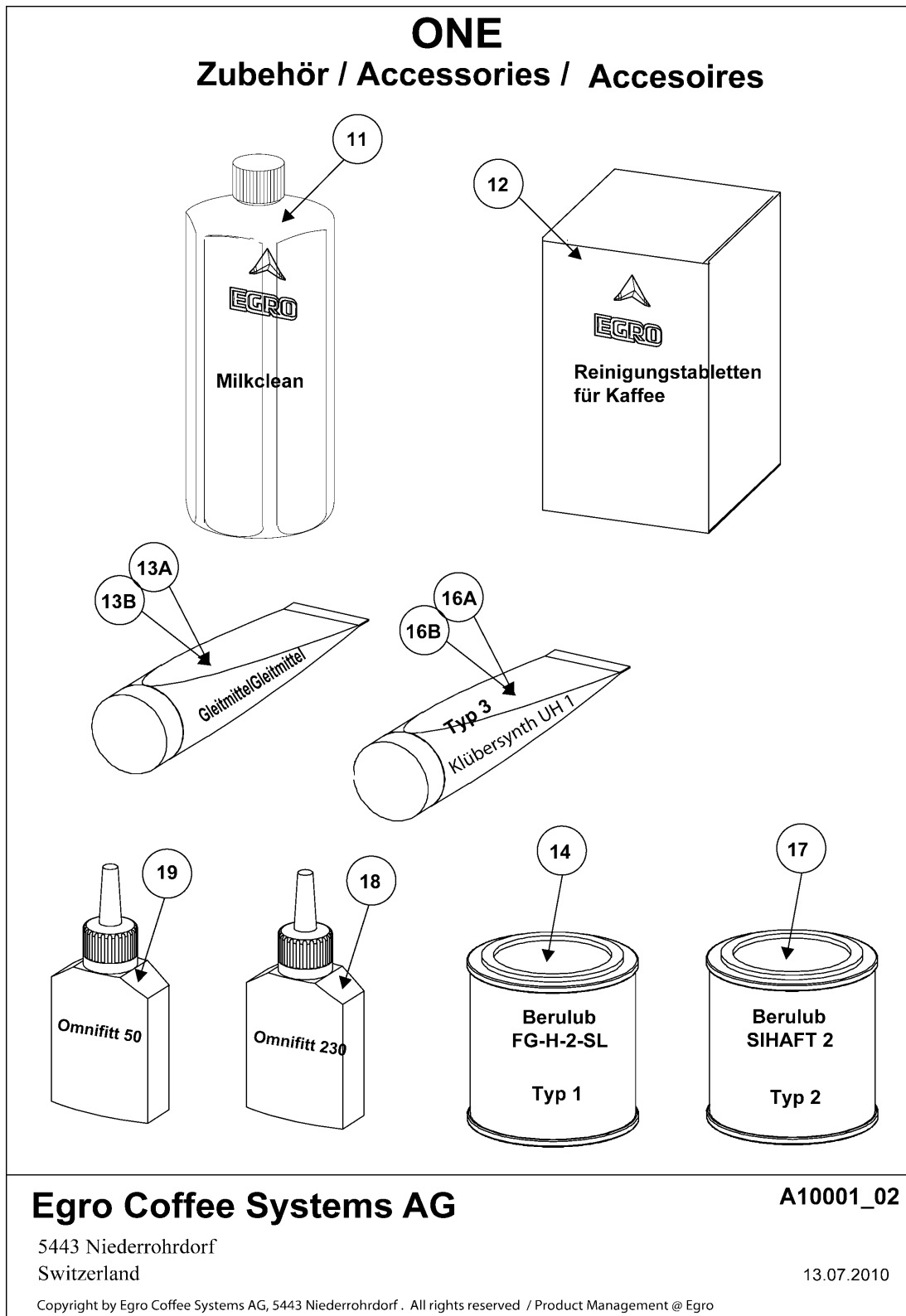
4 ONE, Differents

4.1	ONE, Accessories: material of use + literature	50
4.2	ONE, Service + Repair kits	55

4.1 ONE, Accessories: material of use + literature



4.1 ONE, Accessories: material of use + literature



4.1 ONE, Accessories: material of use + literature

ONE
Zubehör / Accessories / Accessoires

Egros Coffee Systems AG
5443 Niederrohrdorf
Switzerland
Copyright by Egros Coffee Systems AG, 5443 Niederrohrdorf. All rights reserved / Product Management © Egros

A10001_03
13.07.2010

4.1 ONE, Accessories: material of use + literature

ONE
Zubehör / Accessoires / Accessoires

The diagram illustrates six coffee accessories: 22 is a rectangular scale with a circular weighing pan; 27 is a manual tamper with a handle and a flat base; 23 is a rectangular box labeled 'Universal indikator pH 0-14'; 25 is a graduated cylinder with markings at 1, 5, 10, and 15 ml; 26 is a long, thin pH test strip with two circular indicators; 24 is a pair of long-handled pliers.

Egro Coffee Systems AG **A10001_04**

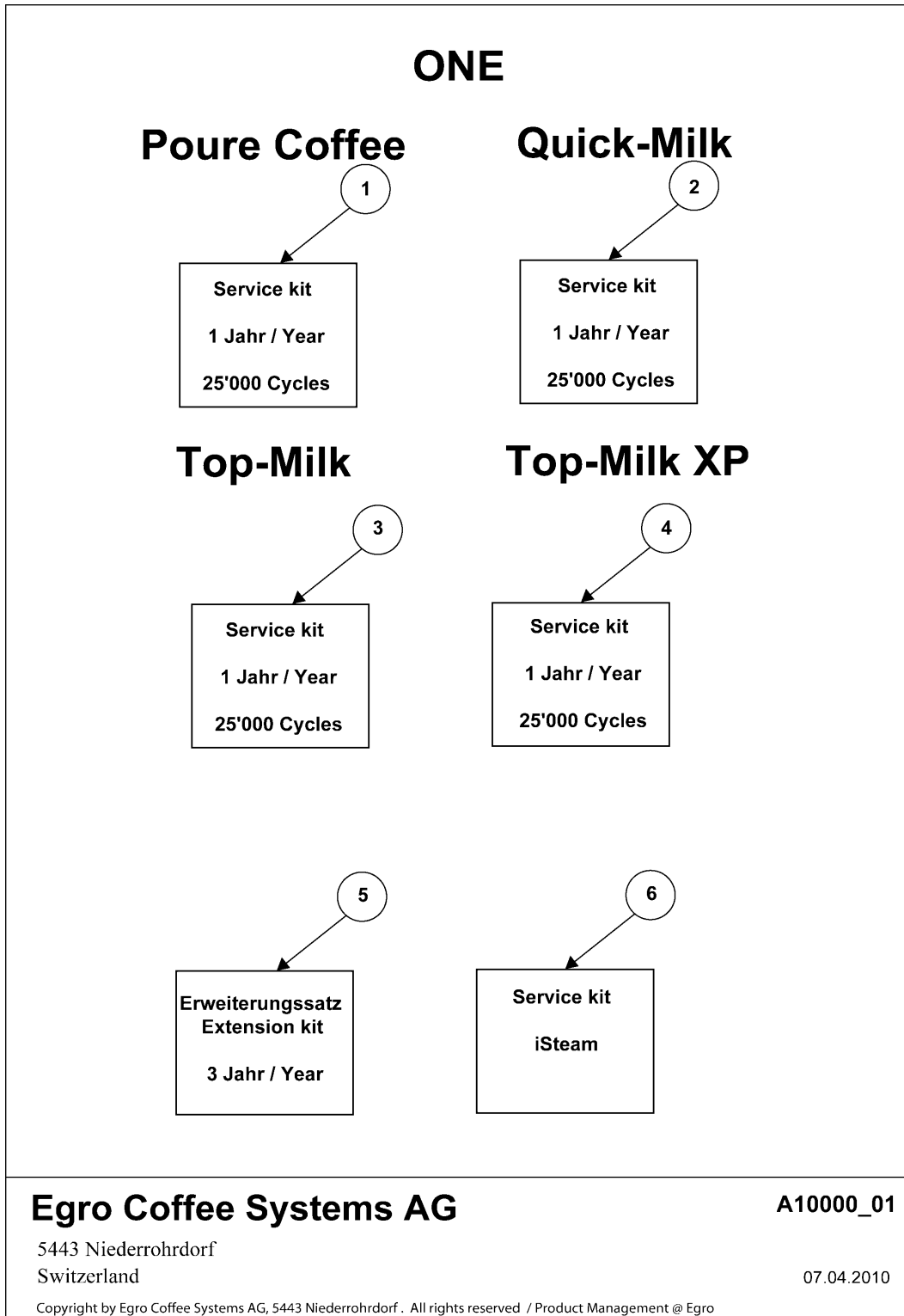
5443 Niederrohrdorf
Switzerland

Copyright by Egro Coffee Systems AG, 5443 Niederrohrdorf. All rights reserved / Product Management @ Egro 13.07.2010

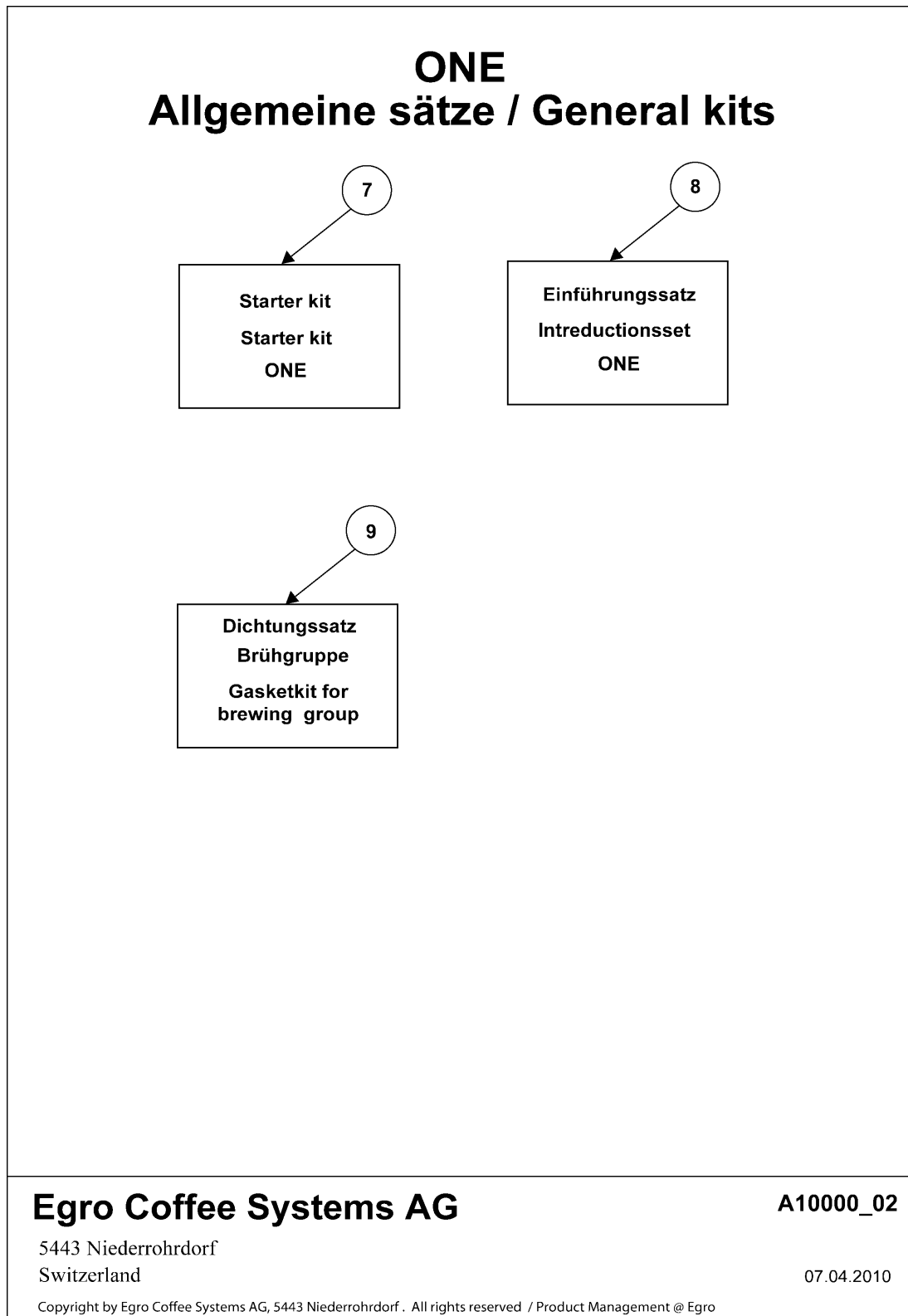
4.1 ONE, Accessories: material of use + literature

Pos.	Description	Dimensions	Part-No.	Lot size
1A	User's guide DE,EN,FR		030009.001	
1B	User's guide CN,JP,KR		030009.002	
4	Dosage spoon 8 g		004775	
7A	Cleaning brush	9 x 95 x 430 mm	032183	
7B	Cleaning brush	12 x 60 x 250 mm	049876	
7C	Cleaning brush medium		058512	
8	Friwa Super Descaling produkt		036174	
9	FS 30 Coffee grease remover cleaner		039011	
10	Dip it plus Coffee grease cleaner		032131	
11	Cleaning Liquid (Milkclean)		060928	12l
12	Special cleaning tabs for Coffee	Box 100 Stck	005990	
13A	Lubricant		055724	
13B	Paste for conduction of Heat		046848	100g
14	Grease Berulub Typ FG-H-2SL		059246	125g
16A	Synthetic grease (Klübersynt)		054567	45g
16B	Synthetic grease (Klübersynt)		058029	1 kg
17	Berlulub SHIAFT 2 Typ 2		059247	125g
18	Omnifit 230 for hot Water / Steam (High solidity)		053425	125g
19	Omnifit 50 for cold Water (low solidity)		035815	50g
22	Digital balance for Grinder calibration		900005.001	
23	Indicator stick for Water acidity		043650	10
24	Special pincers to in-out assembly of Teflon hoses		054537	
25	Tester for degree of hardness		043387	
26	Extractor tool for wire connector		044637	
27	Tube cutter		048105	

4.2 ONE, Service + Repair kits



4.2 ONE, Service + Repair kits



4.2 ONE, Service + Repair kits

Pos.	Description	Dimensions	Part-No.	Lot size
1	Service kit 1 Pour Coffee		061100	
2	Service kit 1 Quick coffee		061101	
3	Service kit 1 Top Milk		061102	
4	Service kit 1 Top Milk XP		061103	
5	Extension kit for all ONE		061104	
6	Service kit iSteam		061105	
7	Starterkit ONE		101003.001	
8	Lauching kit		101004.001	
9	Gasket kit brewing group		057446	

Swiss Egro ONE

Index

Part-No.	ID no.	Page	Part-No.	ID no.	Page	Part-No.	ID no.	Page
000928	K00176-113	36	032183	K01825-3	54	049037	K03062-019	41
000935	K00176-50	36	035815	KH0125-02	54	049209	K03062-20	41
1001		3	036174	KH0101-02	54	049643	K09904-8	38
1002		3	039011	KH0205-04	54	049876	K11946-1	54
1003		3	039064	K01500-53	36	050007.001	K050007.001	15
1004		3	039067	K10464-1	21	050007.001	K050007.001	19
001062	K00176-244	42	039068	K03951-20	15	050007.001	K050007.001	23
001070	K00176-233	19	039443	KE01300-003A	29	050007.001	K050007.001	25
001176	K00176-60	36	040501	K01300-95	21	050007.001	K050007.001	27
001484	K00174-27	19	041256	K03950-671	15	050007.001	K050007.001	29
001521	K00174-52	17	041493	K09550-50	15	050007.001	K050007.001	31
001521	K00174-52	33	042324	K03950-681	15	050007.001	K050007.001	41
001866	K00175-52A	19	043366	KE01300-R099	17	050008.001	K050008.001	15
001894	K00175-15	19	043366	KE01300-R099	19	050008.001	K050008.001	23
002207	K01300-67	41	043366	KE01300-R099	21	050008.001	K050008.001	25
002240	K01300-56	6	043366	KE01300-R099	29	050008.001	K050008.001	33
002240	K01300-56	17	043387	KW0199-1	54	050008.001	K050008.001	36
002752	K00173-5	15	043650	KW0199-4	54	050008.001	K050008.001	41
003173	K03950-067	19	044464	K00171-17	17	050010.001	K03062-13	29
003280	K02060-22	45	044637	K07550-118	54	050010.001	K03062-13	41
003285	K02060-028	45	044846	K11224-R1	48	050095	K11288-R5	41
004415	K03572_01	15	045032	K11177-1	36	050096	K11288-R6	41
004418	K03736-1	15	046192	K08555-11	25	053425	KH0125-06	54
004468	K01760-10	38	046297	K11210-R2	15	053558	K13050-1	25
004473	K03062-005	38	046299	K11210-R4	15	053559	K11800-R21	33
004475	K03062-007	38	046844	K00176-355	6	053601	K11838-R1	33
004695	K03756-3	17	046844	K00176-355	33	053602	K10378-7	36
004775	S00286	54	046848	KH0249-03	54	053604	K020060-050	45
005990	KH0205-1	54	046902	K11267-R1	15	053748	K11826-1	36
009917	K00171-24	21	046933	KE11118-R1	13	053751	K09550-52	23
010212	K03059-1	15	047077	K10211-1	41	053751	K09550-52	25
017151	K00176-278	19	047078	K10212-1	41	053751	K09550-52	42
019974	K03952-9	15	047905	K10607-1	36	053752	K09550-53	21
019974	K03952-9	21	048105	KW0250-1	54	053752	K09550-53	23
030009.001	K030009.001	54	048474	K03062-15	38	053752	K09550-53	25
030009.002	K030009.002	54	048526	K10974-1	36	053752	K09550-53	29
030495	K00175-097	19	048548	K11275-1	36	053785	K13137-R1	17
030626	K04715-3	6	048550	K11342	36	053952	K13157-1	48
030626	K04715-3	10	048560	K08333-3	15	054063	K13038-1	19
032131	KH0205-03	54	048747	K11808-R1	33	054067	K09550-18	17

Swiss Egro ONE

Index

Part-No.	ID no.	Page	Part-No.	ID no.	Page	Part-No.	ID no.	Page
054076	K13030-R1	19	058106	KE03949-9	15	100101		4
054087	K11846-R1	33	058107	K09550-40	15	100102		4
054095	K13025-R1	17	058108	K09550-41	15	100103		4
054220	K00176-367	36	058512	K13284-1	54	100105.001	K100105.001	17
054236	KE13146-R1	17	058587	K00218-51	15	100116.001	K100116.001	21
054238	K13019-R1	17	058836	KE03950-R772	17	100124.001	K100124.001	17
054429	K13024-1	17	059246	KH0144-25	54	100134.007	K100134.007	10
054433	K13168-R1	36	059247	KH0144-26	54	100136.001	KE01300-089	36
054537	KW0296-1	54	060116	K13233-1	36	100147.001	K100147.001	17
054560	KE09550-20	21	060160	K03952-110	21	100149.001	K100149.001	17
054567	KH0144-18	54	060162	K03062-024	41	100156.001	K100156.001	21
054581	KH0300-01	17	060233	K60233	23	100159.001	K100159.001	21
054581	KH0300-01	19	060233	K60233	27	100201		11
054647	K11288-R7	41	060233	K60233	29	100202		11
054861	K14049-1	36	060233	K60233	31	100203		11
054920	KE13148-R1	17	060262	K13400-R1	21	100204		11
054923	KE13147-R1	17	060283	K60283	36	100205		11
054924	KE07955-R323	19	060858	KR11800-1	33	100206		11
054935	KE09550-R20	41	060928	KH0208	54	100207		11
054938	KE03952-R81	21	061100	061100	57	100208		11
054940	KE11847-R1	33	061101	061101	57	100209	9	11
054944	KE00176-R360	41	061102	061102	57	100210		11
055294	K01300-119	25	061103	061103	57	100211		11
055455	K02400-660	8	061104	061104	57	100212		11
055455	K02400-660	41	061105	061105	57	100213		11
055724	KH0249-4	54	061106	K061106	8	100213.001	K100213.001	23
055748	K09904-22	38	061106	K061106	42	100213.001	K100213.001	25
055757	K10530-R3	17	061110	K061110	42	100213.001	K100213.001	42
055783	K13027-R2	17	100013.001	K100013.001	21	100214		11
055790	KE13091-68	38	100016.001	K100016.001	21	100215		11
055838	K10378-R4	36	100032.001	K100032.001	41	100216		11
055941	K09550-58	17	100046.001	K100046.001	36	100217		11
055974	K09550-23	41	100054.001	K100049.001	41	100232.001	K100232.001	19
056753	K12318-R2	6	100058.001	K100058.001	21	100233.001	K100233.001	25
056913	KE13102-1	41	100059.001	K100059.001	17	100236.001	K100236.001	21
056916	KE13102-6	42	100059.001	K100059.001	21	100243.001	K100243.001	17
057101	K11800-R20	33	100062.002	K100062.001	41	100248.002	K100248.002	15
057446	KE11800-R2	57	100063.001	K100063.001	41	100267.001	K100267.001	19
057912	K03952-82	21	100064.001	K100064.001	41	100268.002	K100268.002	19
058029	KH0144-19	54	100071.001	K100071.001	15	100300.001	K100300.001	19

Swiss Egro ONE

Index

Part-No.	ID no.	Page	Part-No.	ID no.	Page	Part-No.	ID no.	Page
100301		43	100897.001	K100897.001	23	10705705	K10705705	27
100302		43	100899.001	K100899.001	19	10705706	10705706	6
100303		43	100899.001	K100899.001	25	10705707	10705707	6
100313.001	K100313.002	25	100939.001	K100939.001	23	10705710	10705710	8
100351.001	K100351.001	19	100950.001	K100950.001	38	10705711	K10705711	41
100401		49	100986.001	K100986.001	6	10705713	10705713	13
100402		49	100987.001	K100987.001	6	10705714	10705714	13
100469.001	K23000092	29	100996.001	K100996.001	6	10705717	10705717	6
100470.001	K23000093	29	100997.001	K100997.001	6	10705801	10705801	6
100495.001	K100495.001	29	100998.001	K100998.001	27	10705802	10705802	6
100506.001	K100132.001	36	100999.001	K100999.001	29	10705802	10705802	38
100510.001	K100510.001	36	101000.001	K101000.001	13	10705804	10705804	41
100511.001	K100511.001	36	101001.001	K101001.001	17	10705806	10705806	41
100514.001	K100514.001	36	101003.001	K101003.001	57	10705807	10705807	41
100523.001	K11853-1	36	101004.001	K101004.001	57	10705933	10705933	23
100524.001	K100524.001	36	101032.001	K100034.001	6	10705962	10705962	45
100558.001	K02400-601	17	101048.001	K101048.001	13	10705963	10705963	45
100559.001	K02400-608	17	101070.001	K101070.001	13	10705964	10705964	45
100560.001	K02400-607	17	101087.001	K101087.001	33	10705965	10705965	45
100565.001	K100565.001	13	101087.099	K101087.099	33	10781311	10781311	6
100743.001	K100743.001	8	101093.001	K101093.001	21	10905117	K10905117	8
100743.001	K100743.001	42	900005.001	K900005.001	54	10905117	K10905117	41
100774.003	K100774.003	41	10049014	10049014	31	10905122	K10905122	8
100775.003	K100775.003	41	10060101	10060101	27	10905122	K10905122	41
100793.001	K100793.001	19	10060183	10060183	27	21000010	21000010	8
100797.001	K100797.001	21	10110701	10110701	45	23000144	23000144	31
100798.001	K100798	19	10110701	10110701	48	23000151	23000151	17
100825.001	K100825.001	21	10110702	10110702	48	24070077	24070077	48
100845.005	K02400-612	25	10110703	10110703	48	25111006	25111006	27
100847.005	K02400-611	25	10110704	10110704	48	30001027	30001027	27
100855.001	K100855.001	27	10110705	10110705	48	32331403	32331403	10
100855.001	K100855.001	31	10110707	10110707	48	32331404	32331404	10
100867.001	K100867.001	23	10110709	10110709	48	32331405	K32331405	41
100868.001	K100868.001	23	10110712	10110712	48	32331410	32331410	8
100869.001	K100869.001	21	10110714	10110714	48	32551051	32551051	6
100877.001	K100877.001	10	10110715	10110715	48	32551053	32551053	6
100877.002	K100877.002	10	10110716	10110716	48	32551058	32551058	6
100878.001	K100878.001	10	10110717	10110717	48	32551059	32551059	6
100878.002	K100878.002	10	10705245	10705245	31	34030077	34030077	48
100897.001	K100897.001	15	10705590	10705590	29	34049011	34049011	23

Swiss Egro ONE

Index

Part-No.	ID no.	Page	Part-No.	ID no.	Page	Part-No.	ID no.	Page
34049012	34049012	23	38120099	38120099	6			
34049013	34049013	23	38120100	38120100	6			
34049014	34049014	23	38120108	38120108	41			
34070075	34070075	45	38120109	38120109	38			
34070075	34070075	48	38120110	38120110	38			
34070076	34070076	48	38123568	38123568	6			
34070077	34070077	8	38123598	38123598	45			
34070077	34070077	45	38123852	38123852	6			
34200269	34200269	45	39920006	39920006	8			
34200288	K34200288	21	39920015	39920015	6			
34200289	34200289	48	45010157	45010157	13			
34200344	34200344	45	45010208	45010208	8			
34200346	34200346	45	45010209	45010209	6			
34300079	34300079	48	69000370	69000370	13			
36220009	36220009	27	69200073	69200073	13			
36220009	36220009	31						
36230017	K36230017	29						
36230017	K36230017	41						
36301040	36301040	31						
36404022	36404022	27						
36930016	36930016	27						
36930016	36930016	31						
36930017	36930017	27						
36990024	36990024	29						
36990025	36990025	13						
36990026	36990026	13						
37000660	37000660	45						
37040410	37040410	8						
37040411	37040411	8						
37175012	37175012	38						
37901002	37901002	8						
38120073	38120073	10						
38120074	38120074	10						
38120075	38120075	10						
38120076	38120076	10						
38120087	38120087	27						
38120088	38120088	8						
38120089	38120089	8						
38120090	38120090	8						
38120091	38120091	6						