



coffeeing the World

ROCKY NO DOSER



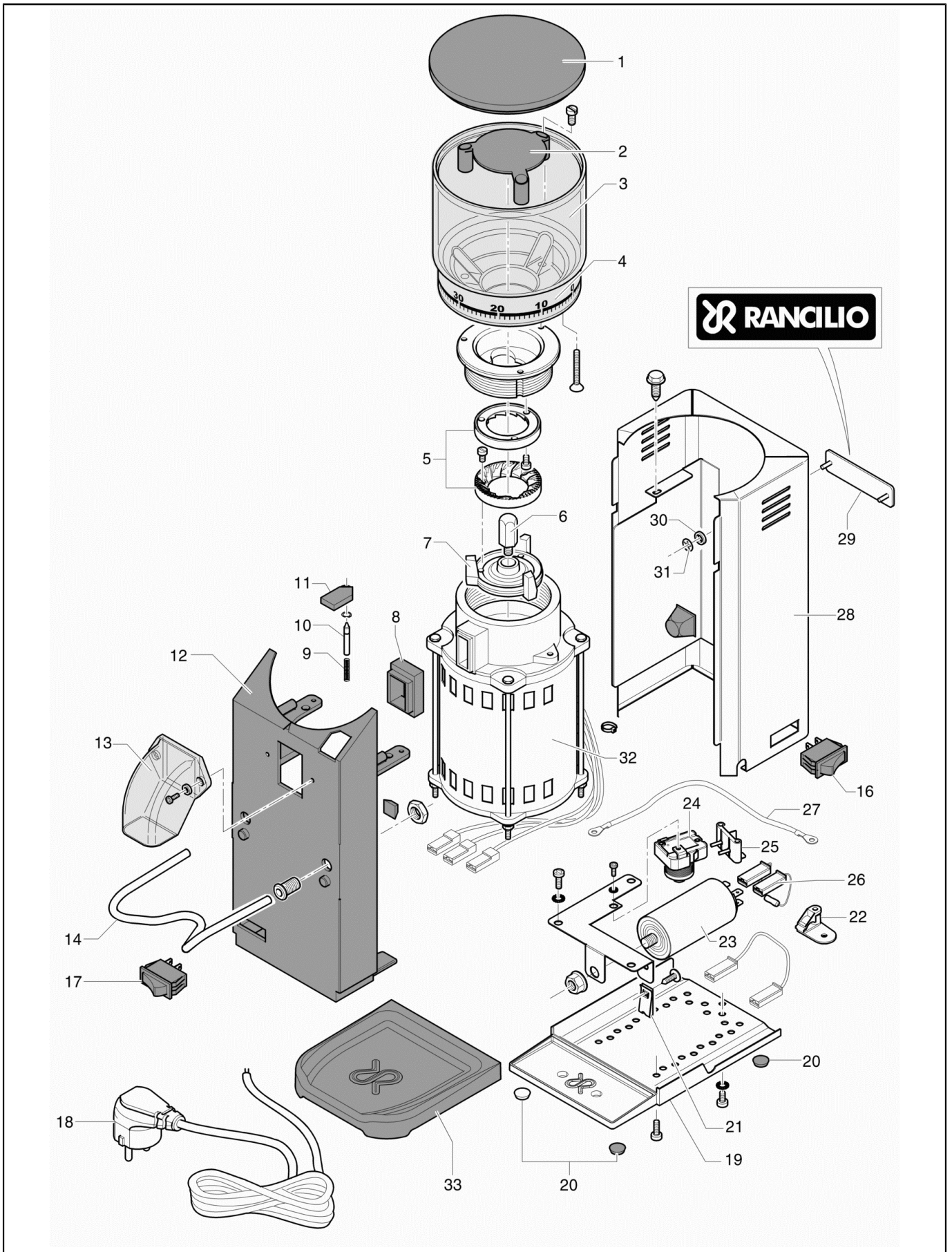
LINEA CASA



coffeeing the World

Index

Table 15000/08 - ROCKY.....	4
Alphanumeric index.....	6



POS.	CODE	DESCRIPTION	QTY	START DATE	END DATE	NOTES
1	38123033	ROCKY HOPPER COVER	1			
2	38123040	ROCKY GRINDERS COVER	1			
3	14705011	KIT COFFEE HOPPER	1			
4	45010044	SELF-ADHESIVE	1			
5	69000032	COUPLE GrinderS D50	1			
6	26122001	Screw	1			
7	20114701	Lower Grinder Holder	1			
8	36990012	BLOC. DIST. ROCKY SD -G	1			
9	39120035	MD PIN Spring	1			
10	26105011	ROCKY PIN	1			
11	38123039	ROCKY BUSH STOP	1			
12	21202375	BODY ROCKY SD BLACK	1			
13	38125017	COFFEE DISPENSING BEAK ROCKY SD	1			
14	23000001	FILTERHOLDER SUPPORT INOX	1			
16	34030042	SWITCH	1			
17	34030054	PUSH BUTTON 250V FM6,3	1			
18	34300085	CABLE with plug	1			
19	38123677	BASE ABS	1			
20	36310006	RUBBER FOOT	1			
21	37900808	Plate U-8/24/11	1			
22	34200157	ROCKY CABLE LOCK	1			
23	34020021	ROCKY Capacitor 110V	1			
	34020022	ROCKY Capacitor 230V	1			
24	34020111	Ciorc breaker 110V MD40	1			
	34020112	Ciorc breaker 220V MD40	1			
25	34020106	MD80 Ciorc breaker CONNECT	1			
26	34200043	Resistance	1			
27	34352028	CABLE RED	1			
28	10781355	KIT BACKSIDE ROCKY	1			
	34200347	FAIRLEAD ROCKY/10	1			
29	42200121	Rancilio Plate MM 70	1			
30	36201006	Rubber Heat-Cup Washer	1			
31	37900505	ROUND FIXER D3 H106	1			
32	34014083	MOTOR V110	1			
	34014084	MOTOR 230V	1			
33	38123678	COFFE' PICKER ABS	1			

Code	No. table	Pos.
10781355	15000/08	28
14705011	15000/08	3
20114701	15000/08	7
21202375	15000/08	12
23000001	15000/08	14
26105011	15000/08	10
26122001	15000/08	6
34014083	15000/08	32
34014084	15000/08	32
34020021	15000/08	23
34020022	15000/08	23
34020106	15000/08	25
34020111	15000/08	24
34020112	15000/08	24
34030042	15000/08	16
34030054	15000/08	17
34200043	15000/08	26
34200157	15000/08	22
34200347	15000/08	28
34300085	15000/08	18
34352028	15000/08	27
36201006	15000/08	30
36310006	15000/08	20
36990012	15000/08	8
37900505	15000/08	31
37900808	15000/08	21
38123033	15000/08	1
38123039	15000/08	11
38123040	15000/08	2
38123677	15000/08	19
38123678	15000/08	33
38125017	15000/08	13
39120035	15000/08	9
42200121	15000/08	29
45010044	15000/08	4
69000032	15000/08	5



ITALY

Rancilio Macchine per caffè S.p.A.
Viale della Repubblica 40
20010 Villastanza di Parabiago
Milano Italy
Tel +39 0331 408200
Fax +39 0331 551437
www.rancilio.it
info@rancilio.it

SPAIN

Rancilio Espana, s.a.
Gran Via de Carlos III, 84 3ª
Edificio Trade
08028 Barcelona Spain
Tel. +34 902 884 275
Tel. +34 934 923 414
Fax +34 93 496 57 01
www.rancilio.com
info@rancilio.es

PORTUGAL

RANCILIO PORTUGAL LDA
Estrada da Falagueira nº 68 E
2700-365 Amadora Portugal
Tel. +35 121 019 1091
Fax +35 121 019 1091
www.rancilio.com
info@rancilio.pt

USA

Rancilio North America Inc.
8102 S.Lemont Rd. #1200
Woodridge, IL 60517 USA
Tel +1 630 427 1703
Fax +1 630 427 1713
www.rancilio.com
info@rancilio-na.com

ASIA

Asian Market Access HK Ltd
601 Tak Woo House
17-19 D'aguilar Street Central
Hong Kong
Tel +852 2521 7839
Fax +852 2521 5787
www.rancilio.com

