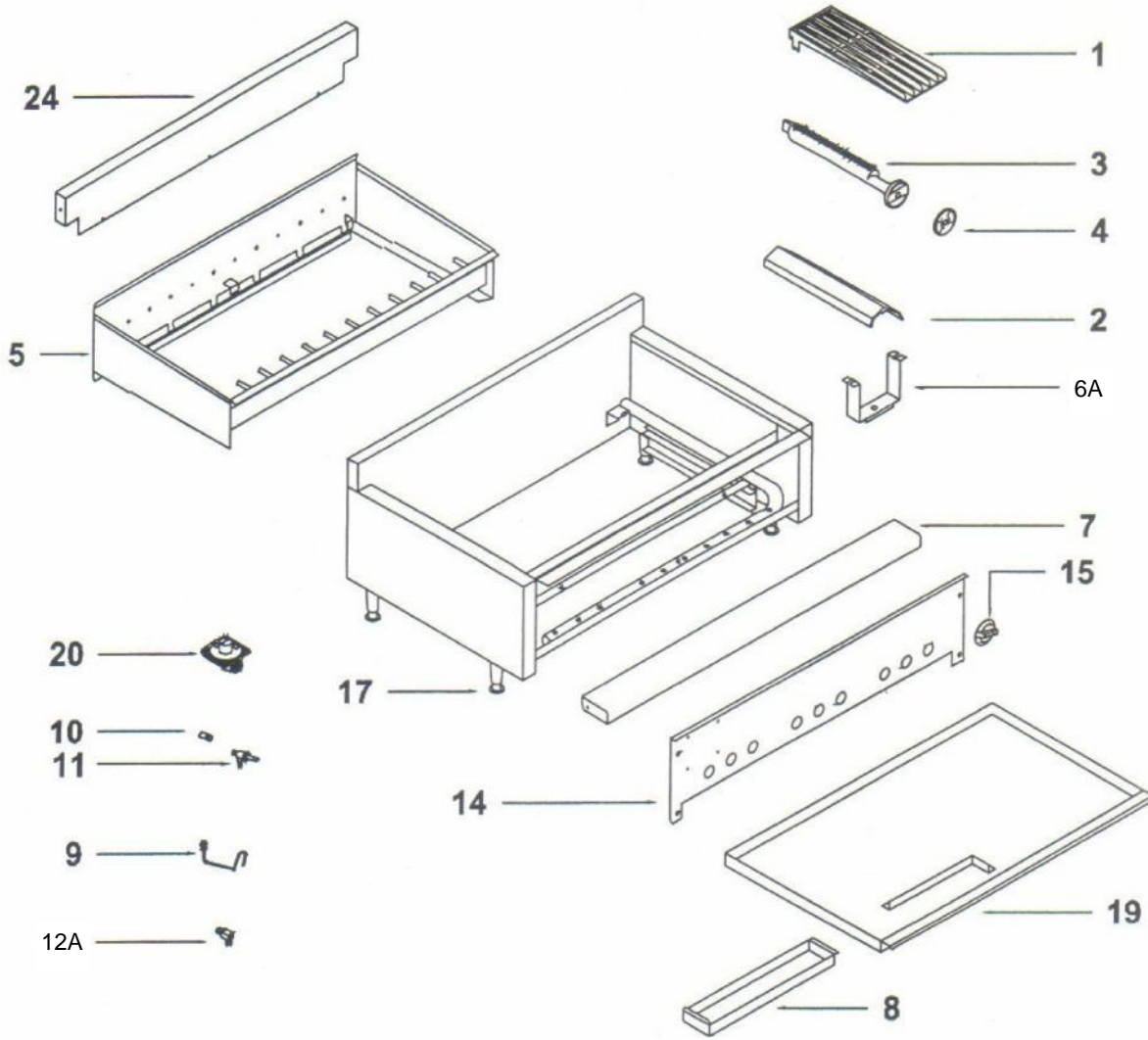


RANKIN-DELUX, INC. MODEL RB-8 RADIANT TYPE CHAR BROILER



WHEN ORDERING PARTS, PLEASE PROVIDE THE FOLLOWING INFORMATION

- A. MODEL NUMBER C. PART NUMBER
B. SERIAL NUMBER D. TYPE OF GAS

11/19/2013

ITEM	PART #	DESCRIPTION	LIST \$\$	ITEM	PART #	DESCRIPTION	LIST \$\$
1	RB-01	STANDARD TOP GRATE (5" X 23")		10	RB-10A	ORIFICE, LP	
1	RB-01A	FISH GRATE		11	RB-11	BURNER VALVE WITHOUT ORIFICE	
2	RB-02	CAST IRON RADIANT		12	RB-12	PILOT ADJUSTMENT VALVE - DOUBLE	
3	RB-03	BURNER WITH AIR SHUTTER		12	RB-12A	PILOT ADJUSTMENT VALVE - SINGLE	
4	RB-04	AIR SHUTTER ONLY		13	RB-13	MANIFOLD (SPECIFY MODEL)	
5	RB-15-05	RADIANT PAN - FOR RB-815-C		14	RB-14	FRONT PANEL (SPECIFY MODEL)	
5	RB-21-05	RADIANT PAN - FOR RB-821-C		15	RB-15	KNOB	
5	RB-25-05	RADIANT PAN - FOR RB-825-C		17	RB-17	ADJUSTABLE LEG	
5	RB-30-05	RADIANT PAN - FOR RB-830-C		19	RB-15-19	DRIP TRAY - FOR RB-815-C	
5	RB-36-05	RADIANT PAN - FOR RB-836-C		19	RB-21-19	DRIP TRAY - FOR RB-821-C	
5	RB-41-05	RADIANT PAN - FOR RB-841-C		19	RB-25-19	DRIP TRAY - FOR RB-825-C	
5	RB-46-05	RADIANT PAN - FOR RB-846-C		19	RB-30-19	DRIP TRAY - FOR RB-830-C	
5	RB-60-05	RADIANT PAN - FOR RB-860-C		19	RB-36-19	DRIP TRAY - FOR RB-836-C	
5	RB-72-05	RADIANT PAN - FOR RB-872-C		19	RB-41-19	DRIP TRAY - FOR RB-841-C	
5	RB-84-05	RADIANT PAN - FOR RB-884-C		19	RB-46-19	DRIP TRAY - FOR RB-846-C	
6	RB-06	PILOT BRACKET - SINGLE		19	RB-60-19	DRIP TRAY - FOR RB-860-C (BEFORE 2/22/99 - 1 REQUIRED)	
6	RB-06A	PILOT BRACKET - DOUBLE		19	RB-60-19A	DRIP TRAY - FOR RB-860-C (2 REQUIRED)	
7	RB-07	FRONT CAP (SPECIFY MODEL)		19	RB-72-19	DRIP TRAY - FOR RB-872-C (2 REQUIRED)	
8	RB-08	GREASE PAN / TRAY (3-1/4" X 15")		19	RB-84-19	DRIP TRAY - FOR RB-884-C (2 REQUIRED)	
9	RB-09	PILOT TUBE WITH TIP - FOR DOUBLE ADJ. VALVE		20	RB-20	GAS REGULATOR 3/4", NAT	
9	RB-09A	PILOT TUBE WITH TIP - FOR SINGLE ADJ. VALVE		20	RB-20A	GAS REGULATOR 3/4", LP	
10	RB-10	ORIFICE, NAT		24	RB-24	BACK CAP (SPECIFY MODEL)	