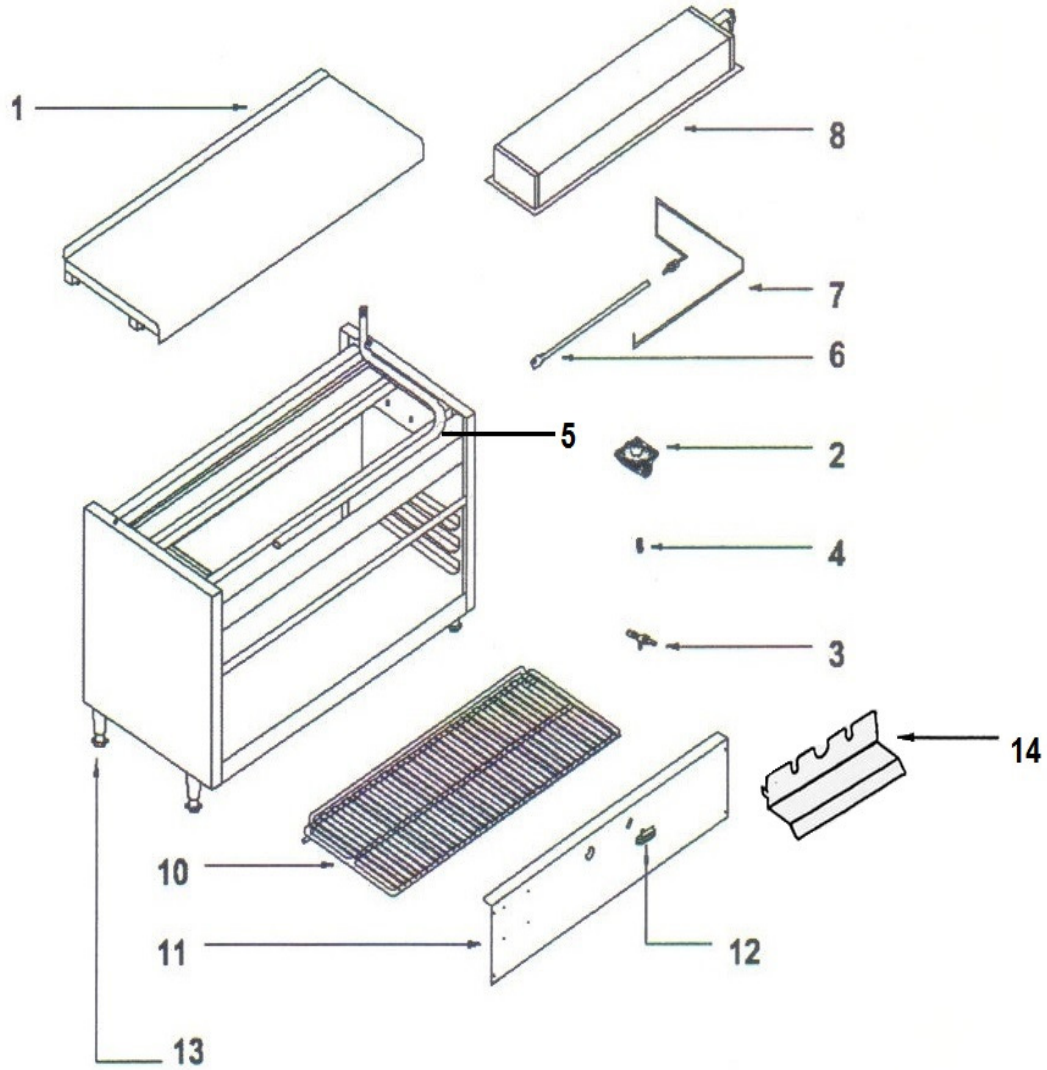


RANKIN-DELUX, INC. MODEL RDCM CHEESE MELTER / BROILER



WHEN ORDERING PARTS, PLEASE PROVIDE THE FOLLOWING INFORMATION

- A. MODEL NUMBER C. PART NUMBER
 B. SERIAL NUMBER D. TYPE OF GAS

| ITEM | PART # | DESCRIPTION | LIST \$\$ |
|------|----------|---|-----------|
| 1 | RDCM-01 | TOP COVER (SPECIFY MODEL) | |
| 2 | RDCM-02 | GAS REGULATOR 3/4", NAT | |
| 2 | RDCM-02A | GAS REGULATOR 3/4", LP | |
| 3 | RDCM-03 | BURNER VALVE WITHOUT ORIFICE | |
| 3 | RDCM-03A | ELBOW FITTING ONLY - FOR BURNER VALVE | |
| 4 | RDCM-04 | PILOT ADJUSTMENT VALVE - SINGLE | |
| 6 | RDCM-06 | LIGHTER ARM | |
| 7 | RDCM-07 | PILOT TUBE ASSEMBLY 32" (SPECIFY RT/LT & GAS) - FOR MODELS RDCM-24 & 30 | |
| 7 | RDCM-07A | PILOT TUBE ASSEMBLY 38" (SPECIFY RT/LT & GAS) - FOR MODEL RDCM-36 | |
| 7 | RDCM-07B | PILOT TUBE ASSEMBLY 43" (SPECIFY RT/LT & GAS) - FOR MODEL RDCM-48, 60, & 72 | |
| 8 | RDCM-08 | CERAMIC BURNER 15" (SPECIFY GAS) - FOR MODEL RDCM-24, 48, & 60 | |
| 8 | RDCM-08A | CERAMIC BURNER 27" (SPECIFY GAS & BTU) - FOR MODEL RDCM-36 & 72 | |
| 8 | RDCM-08B | CERAMIC BURNER 19" (SPECIFY GAS) - FOR MODEL RDCM-30 | |
| 10 | RDCM-10 | WIRE RACK (SPECIFY MODEL) | |
| 11 | RDCM-11 | FRONT PANEL (SPECIFY MODEL) | |
| 12 | RDCM-12 | KNOB | |
| 13 | RDCM-13 | ADJUSTABLE LEG | |
| 14 | RDCM-14 | HEAT SHIELD (SPECIFY MODEL & SERIAL#) - FOR OLD UNITS | |