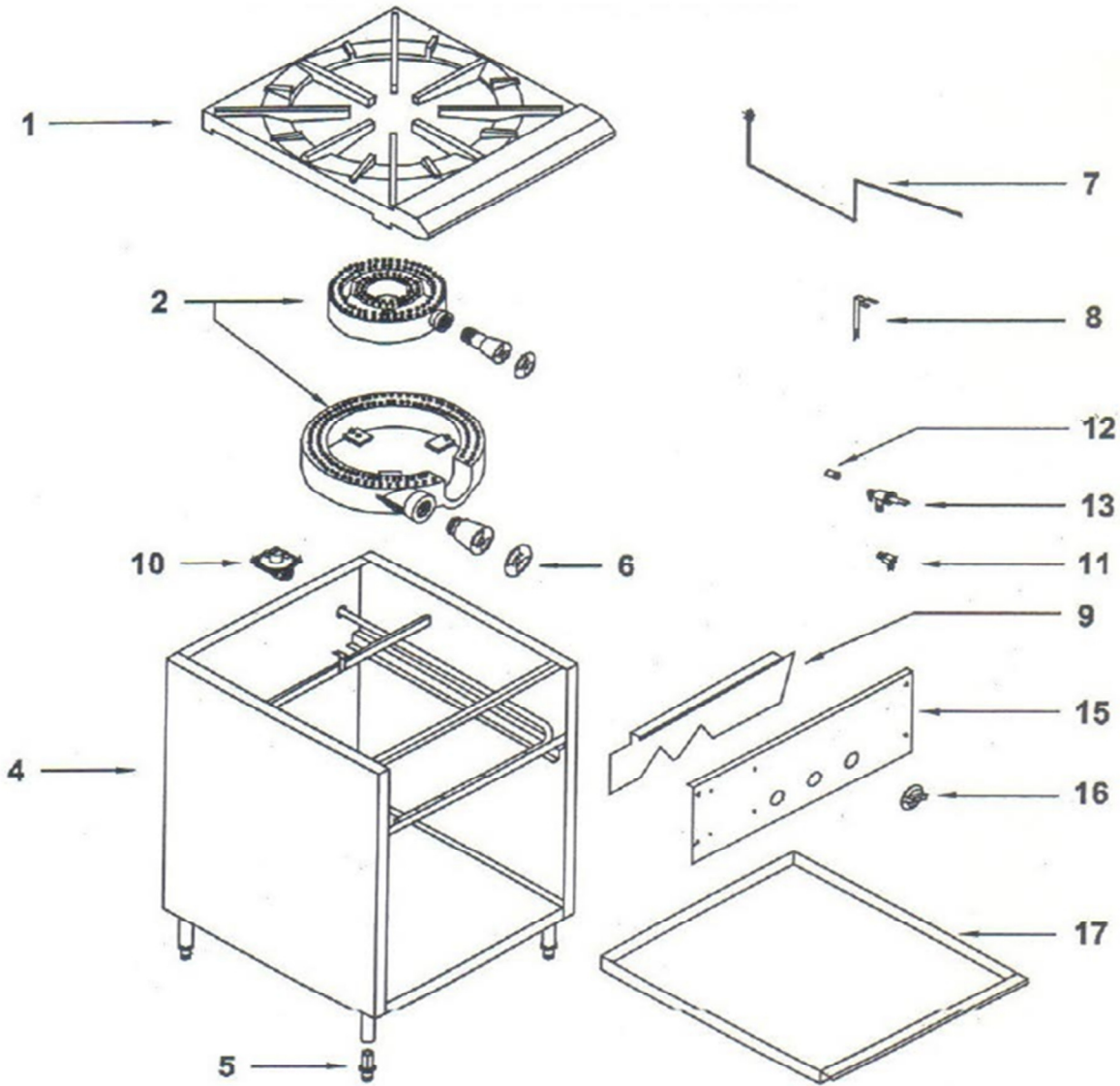


RANKIN-DELUX, INC. MODEL SSPR SUPER STOCK POT RANGE



WHEN ORDERING PARTS, PLEASE PROVIDE THE FOLLOWING INFORMATION

- A. MODEL NUMBER C. PART NUMBER
 B. SERIAL NUMBER D. TYPE OF GAS

ITEM	PART #	DESCRIPTION	LIST \$\$	ITEM	PART #	DESCRIPTION	LIST \$\$
1	SSPR-01	TOP GRATE (18" X 22")		11	SSPR-11	PILOT ADJUSTMENT VALVE - SINGLE	
2	SSPR-02	BURNER HEAD COMPLETE		12	SSPR-12	ORIFICE, NAT	
4	SSPR-04	UNIT BODY (SPECIFY MODEL)		12	SSPR-12A	ORIFICE, LP	
5	SSPR-05	BULLET FOOT ONLY		13	SSPR-13	BURNER VALVE WITHOUT ORIFICE	
6	SSPR-06	AIR SHUTTER ONLY		15	SSPR-15	FRONT PANEL (SPECIFY MODEL)	
7	SSPR-07	PILOT TUBE WITH TIP		16	SSPR-16	KNOB	
8	SSPR-08	PILOT BRACKET		17	SSPR-17	DRIP TRAY - FOR SSPR-110	
9	SSPR-09	HEAT SHIELD (SPECIFY MODEL)		17	SSPR-17A	DRIP TRAY - FOR SSPR-220	
10	SSPR-10	GAS REGULATOR 3/4", NAT					
10	SSPR-10A	GAS REGULATOR 3/4", NAT					