

# Service part catalogue

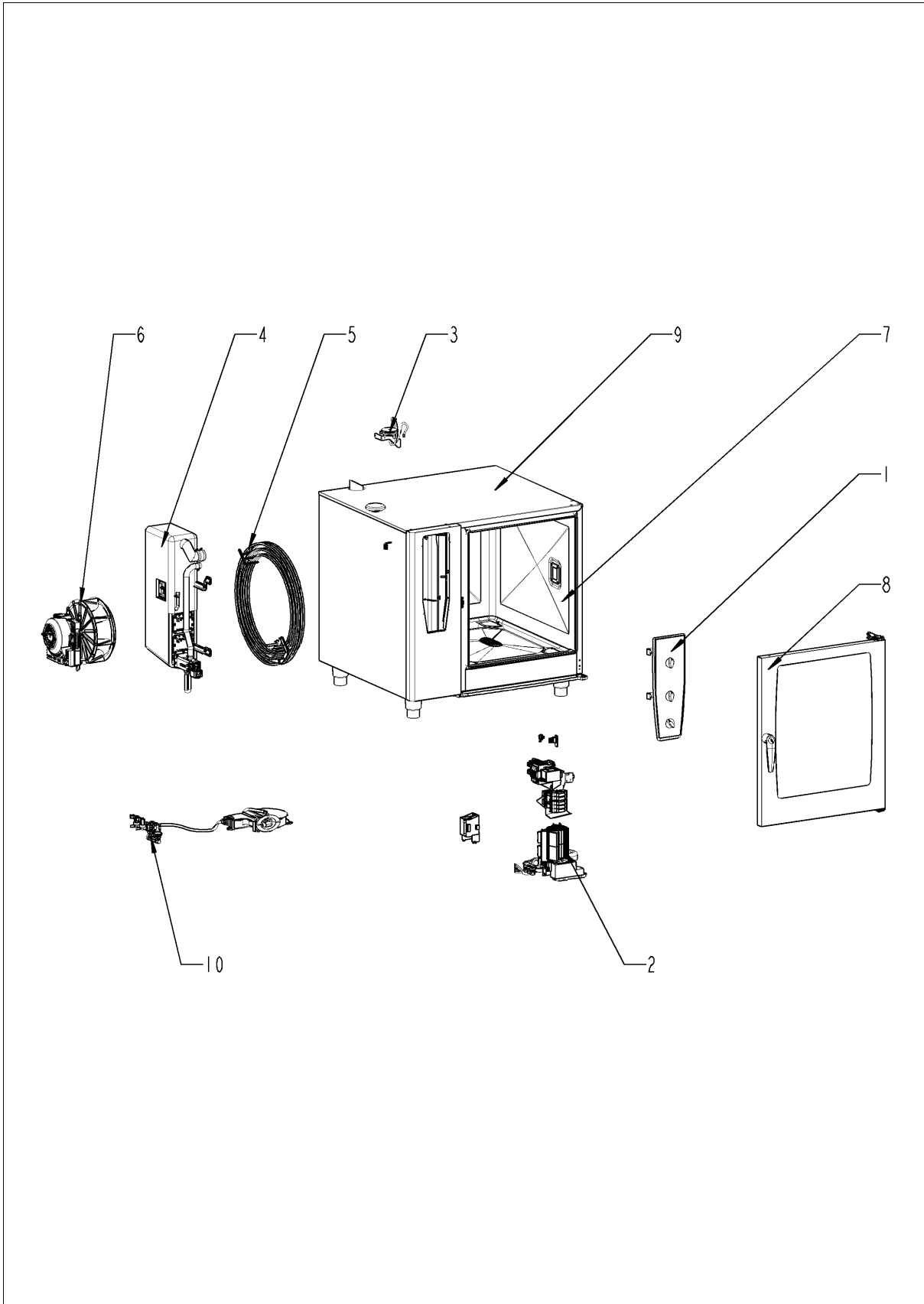
SelfCookingCenter® whiteefficiency®

Combi Master 102 - 10 x 2/1 GastronormE

E12MH1110



SelfCookingCenter® whiteefficiency®

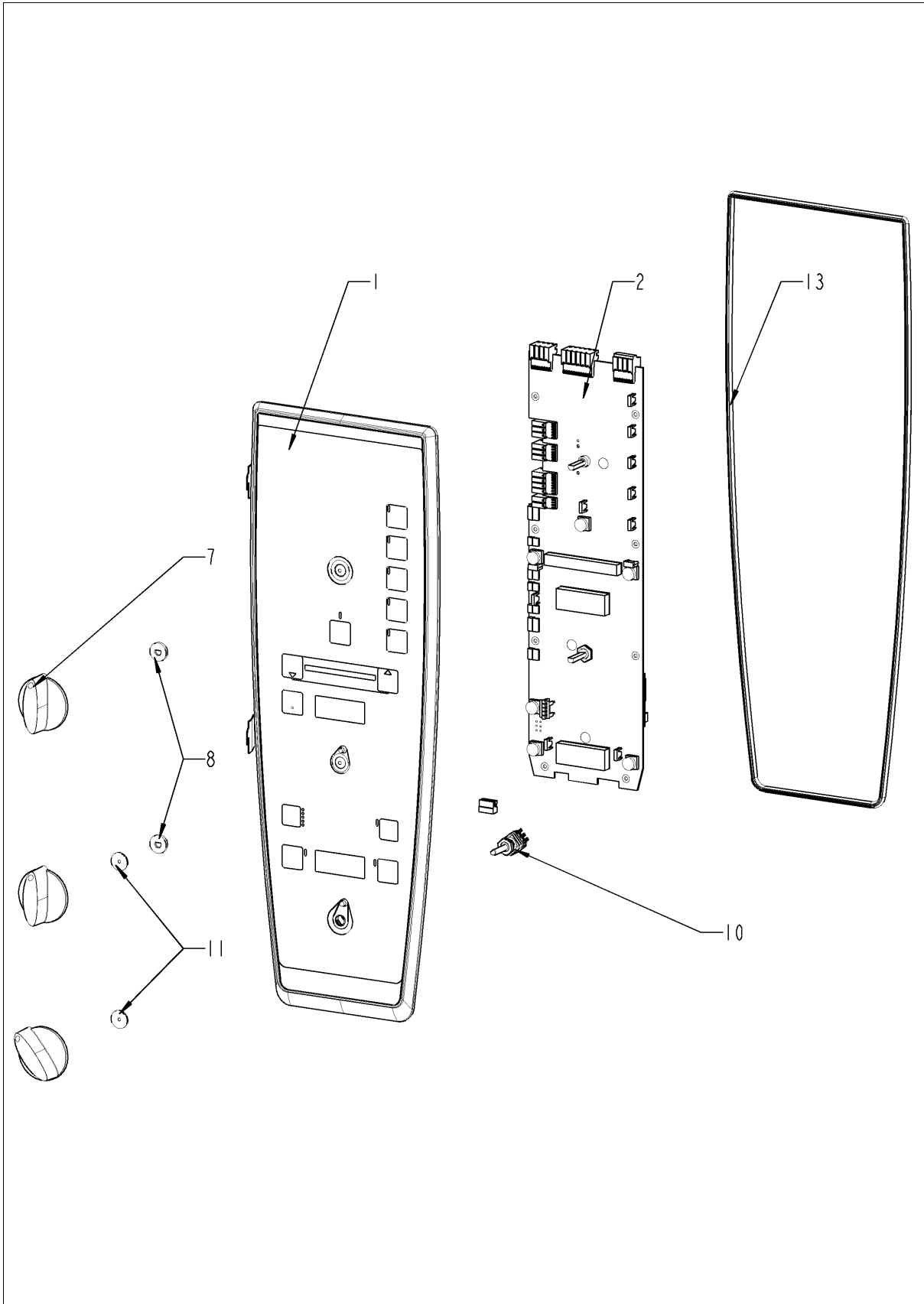


---

## SelfCookingCenter® whiteefficiency®

Pos.	Part No.	Description	Qty.
1		Control panel	1
2		Electrical installation	1
3		ClimaPlus	1
4		Steam generator	1
5		Hot air heating	1
6		Motor and fan wheel	1
7		Interior cabinet	1
8		Door	1
9		Exterior cabinet	1
10		Water	1
11		CleanJet + Care	1
13		Standard accessory	1

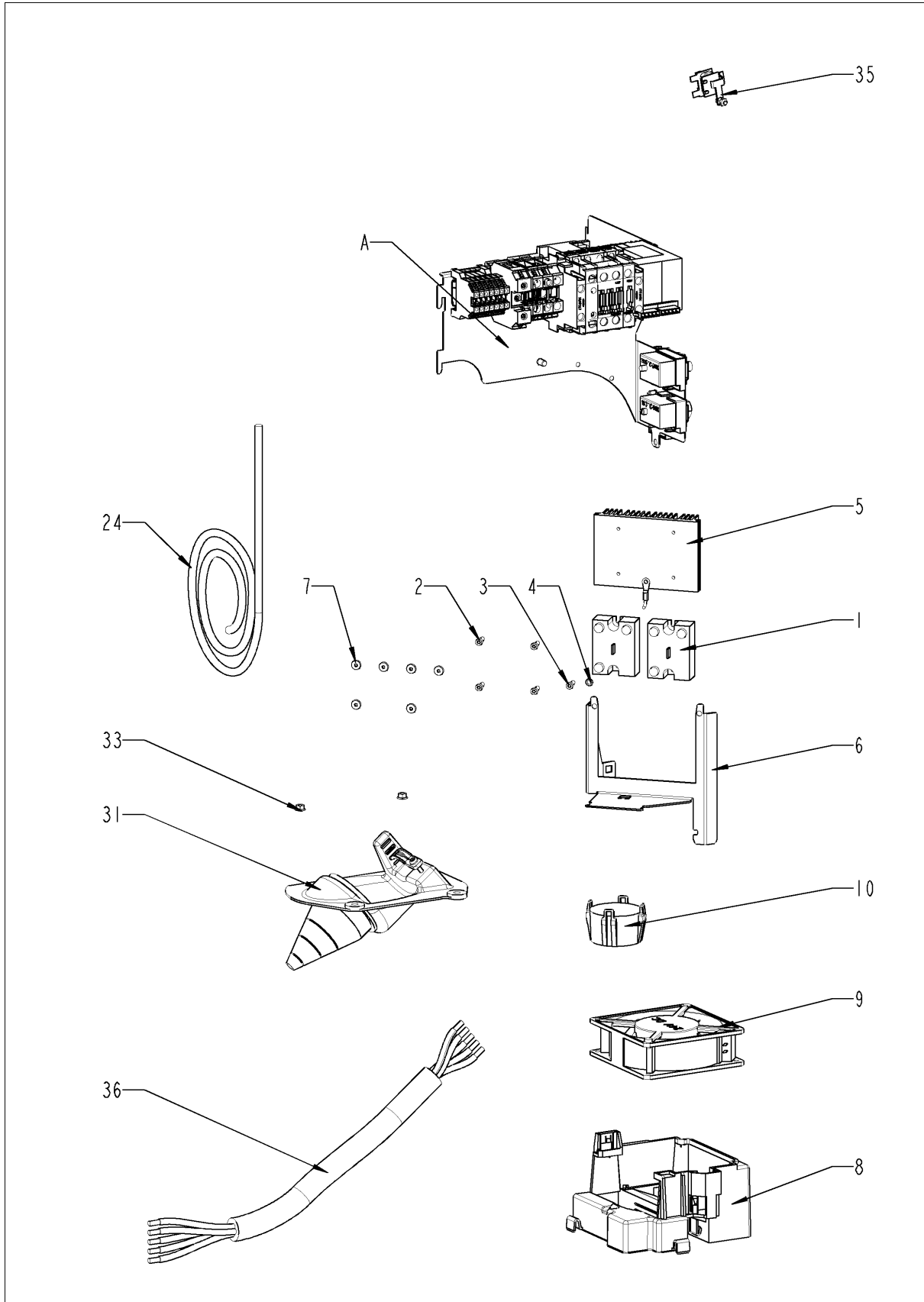
## Control panel



## Control panel

Pos.	Part No.	Description	Qty.
1	<a href="#">87.01.006</a>	Control panel insert with overlay *RAT*	1
2	42.00.090	Control pcb *Sicotronic*	1
7	<a href="#">16.00.282</a>	Dial	3
8	<a href="#">5110.1027</a>	Distance plate for front panel	2
10	<a href="#">40.00.464</a>	Potentiometer CT	1
11	<a href="#">5110.1029</a>	Gasket mode switch	2
13	<a href="#">16.01.908</a>	Sealing f. panel insert	1

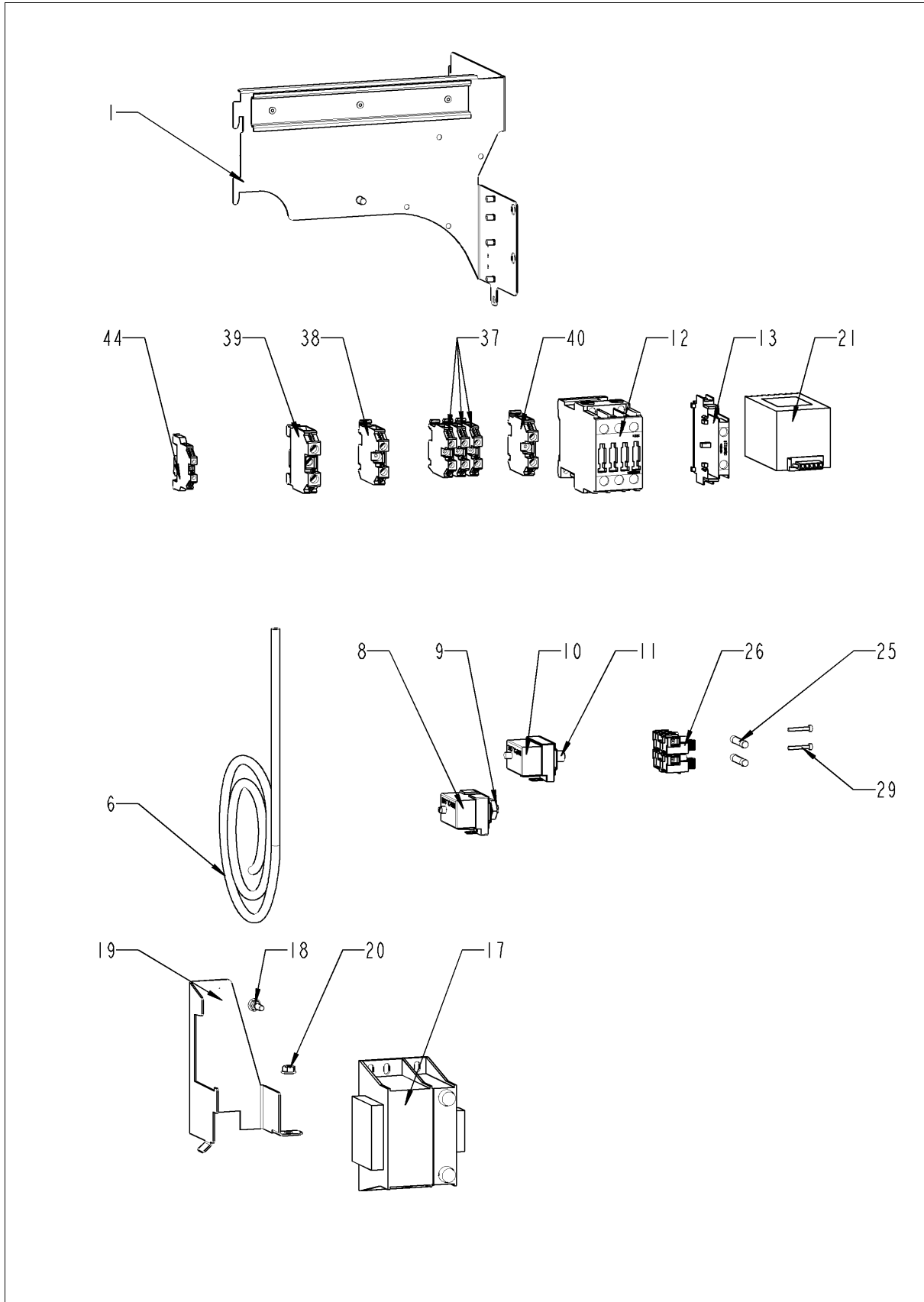
## Electrical installation



## Electrical installation

Pos.	Part No.	Description	Qty.
1	40.00.453	Solid state relais	6
2	10.00.061	Pan head screw Torx T20 M4x12	12
3	10.00.061	Pan head screw Torx T20 M4x12	2
4	1204.0120	Tooth lock washer A4,3	2
5	40.03.537	Heat sink 3 SSR	2
6	40.03.319	Mounting device heat sink SSR	1
7	10.00.507	Pan head screw Torx 5/16" T20	18
8	40.03.499	Fan housing *UL*	1
9	40.03.428	Cooling fan	1
10	40.03.257	Converter 230VAC 24VDC	1
24	40.03.998	Bus cable 1.15m	1
35	40.04.048	Buzzer	1
A		Electrical installation	1

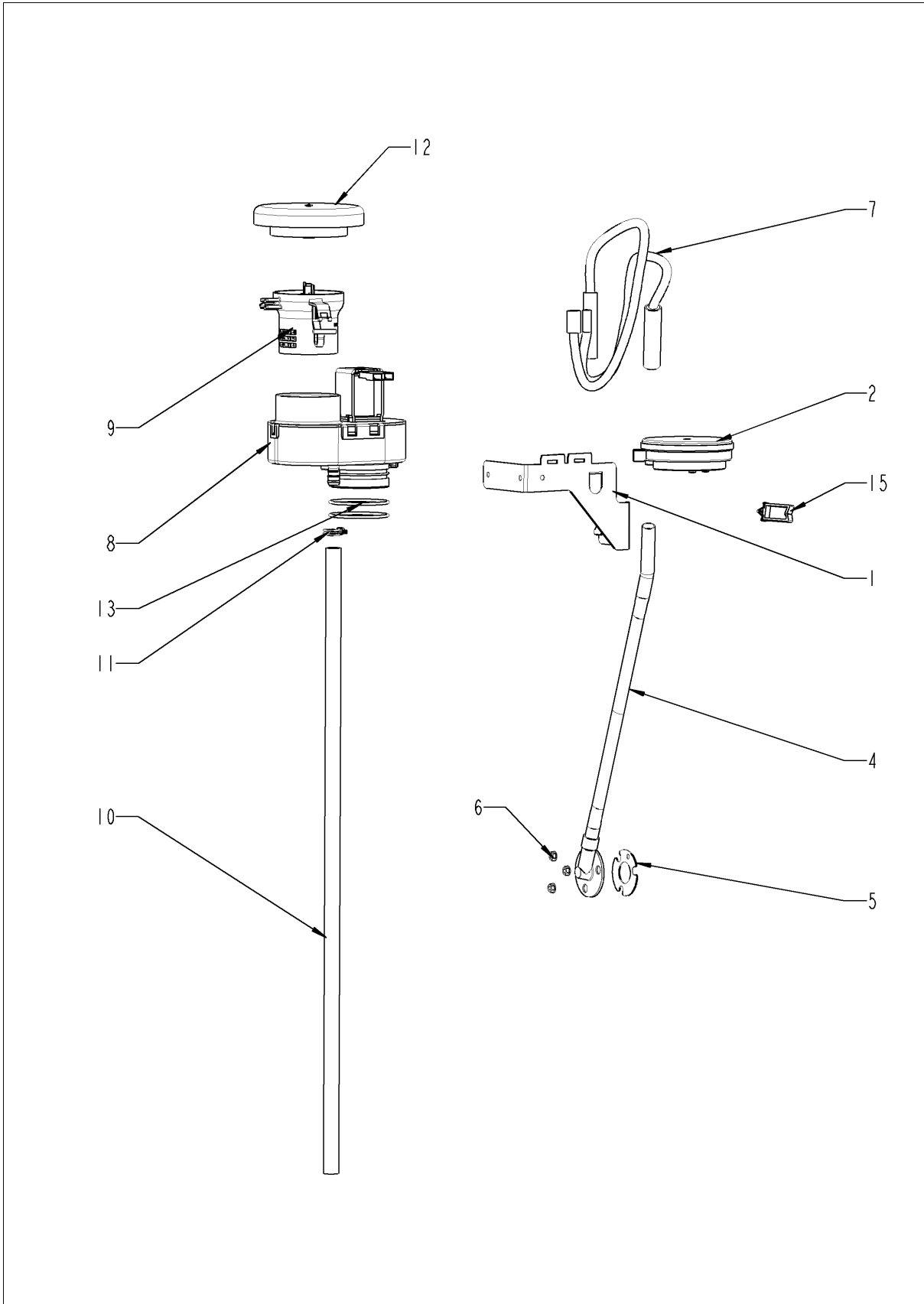
## Electrical installation



## Electrical installation

Pos.	Part No.	Description	Qty.
1	40.03.360	Contactor assembly	1
2	40.03.981	Cable clock switch USA	1
6	40.03.814	Cable control harness	1
8	40.01.329	Dry up protector 183°	1
9	3014.0302	Hex nut M10 for dry-up protector	1
10	40.01.482	Safety temperature limiter 365°C	1
11	3014.0327	Hex nut M10x1,0	1
12	40.03.666	Contactor B&J K3-74B00 190 R	1
13	40.02.641	Auxilliary contact B&J HN10 N/O	1
17	40.03.348	Control transformer T1	1
18	10.01.065	Hex nut M5	1
19	40.03.404	Mounting support transformer	1
20	10.01.065	Hex nut M5	1
21	40.02.425	Varistor	1
25	4001.0224	Fuse 6.35x32mm	2
25	40.01.588	Fuse SC-8A 10x38	2
26	40.02.512	Fuse holder 2x6.3A	1
26	40.01.487	Fuse holder 2pol	1
29	10.00.365	Pan head screw Torx M3x20	2
37	40.01.611	Terminal block grey WKN 70/U	3
39	40.01.610	Earth terminal 20 WKN 70SL/U	1
44	4001.1203	End plate for mounting rail	1
47	40.03.282	Drip protection for air inlet filter 1 UL	1
48	10.00.709	Hex nut M6 w. locking	1
49	10.01.218	Edge protection profile	1
50	40.03.755	Cover behind 2 UL	1
51	10.00.365	Pan head screw Torx M3x20	2
54	40.04.122	Cover for Fuse *UL*	2

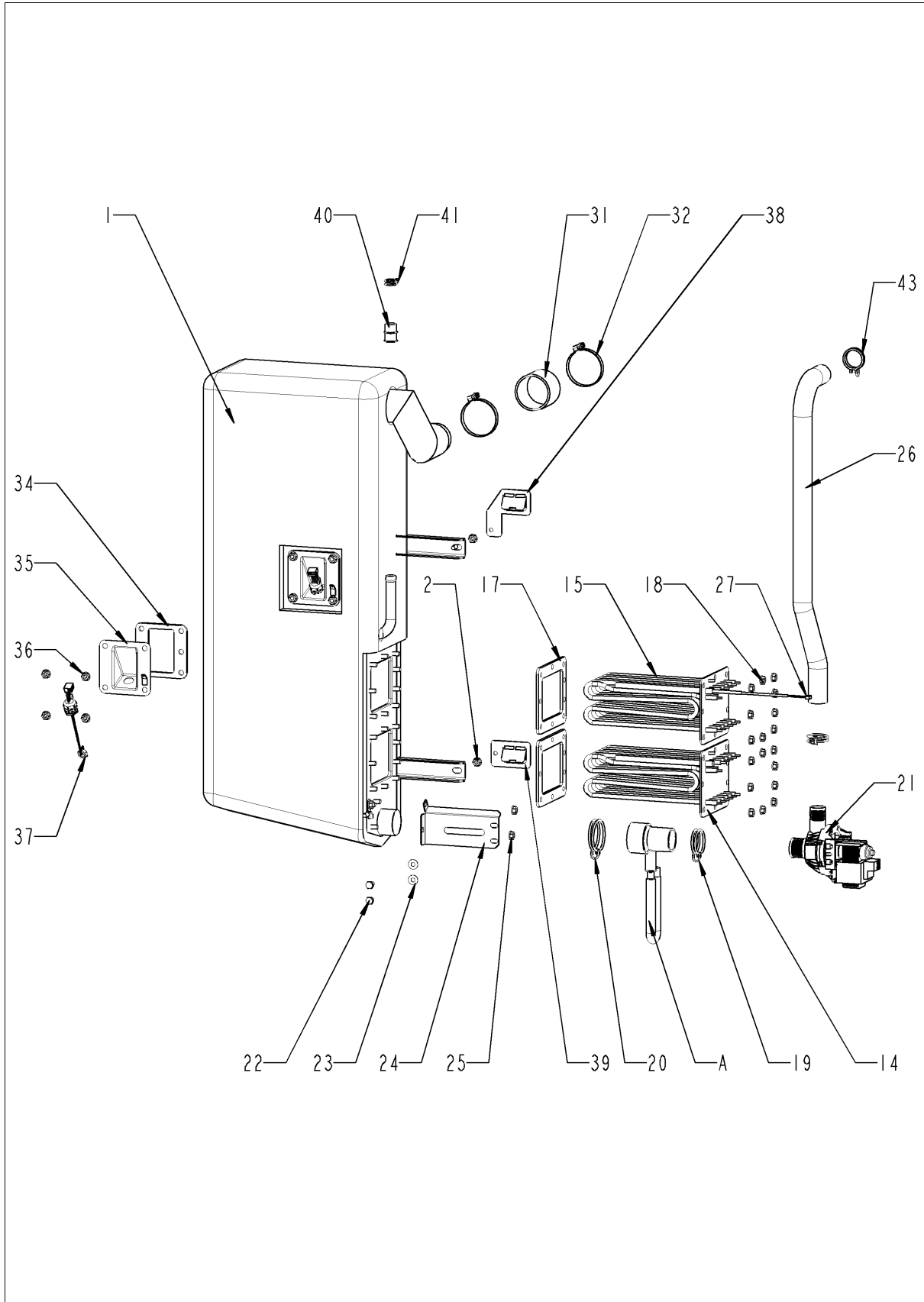
# ClimaPlus



## ClimaPlus

Pos.	Part No.	Description	Qty.
1	<a href="#">22.00.882</a>	Mounting device f. pressure sensor	1
2	<a href="#">3017.1011</a>	Pressure sensor for humidity control Huba 401	1
4	<a href="#">22.00.850</a>	Outer humidity meas. Piece	1
5	<a href="#">22.00.881</a>	Gasket f. hum. meas. Pipe	1
6	<a href="#">1104.0122</a>	Hex combination nut M4 galv	3
7	<a href="#">22.00.525</a>	Hose set f. humidity control	1
8	<a href="#">22.00.725</a>	Humidity control cpl.	1
9	<a href="#">22.00.915</a>	Air inlet pipe	1
10	<a href="#">22.00.960</a>	Drain hose for humidity control	1
11	<a href="#">2066.0527</a>	Hose clamp ø14mm	2
12	<a href="#">22.00.767</a>	Vent cover	1
13	<a href="#">22.00.837</a>	O-ring for humidity control	2
15	<a href="#">10.00.111</a>	Cable clip long	2

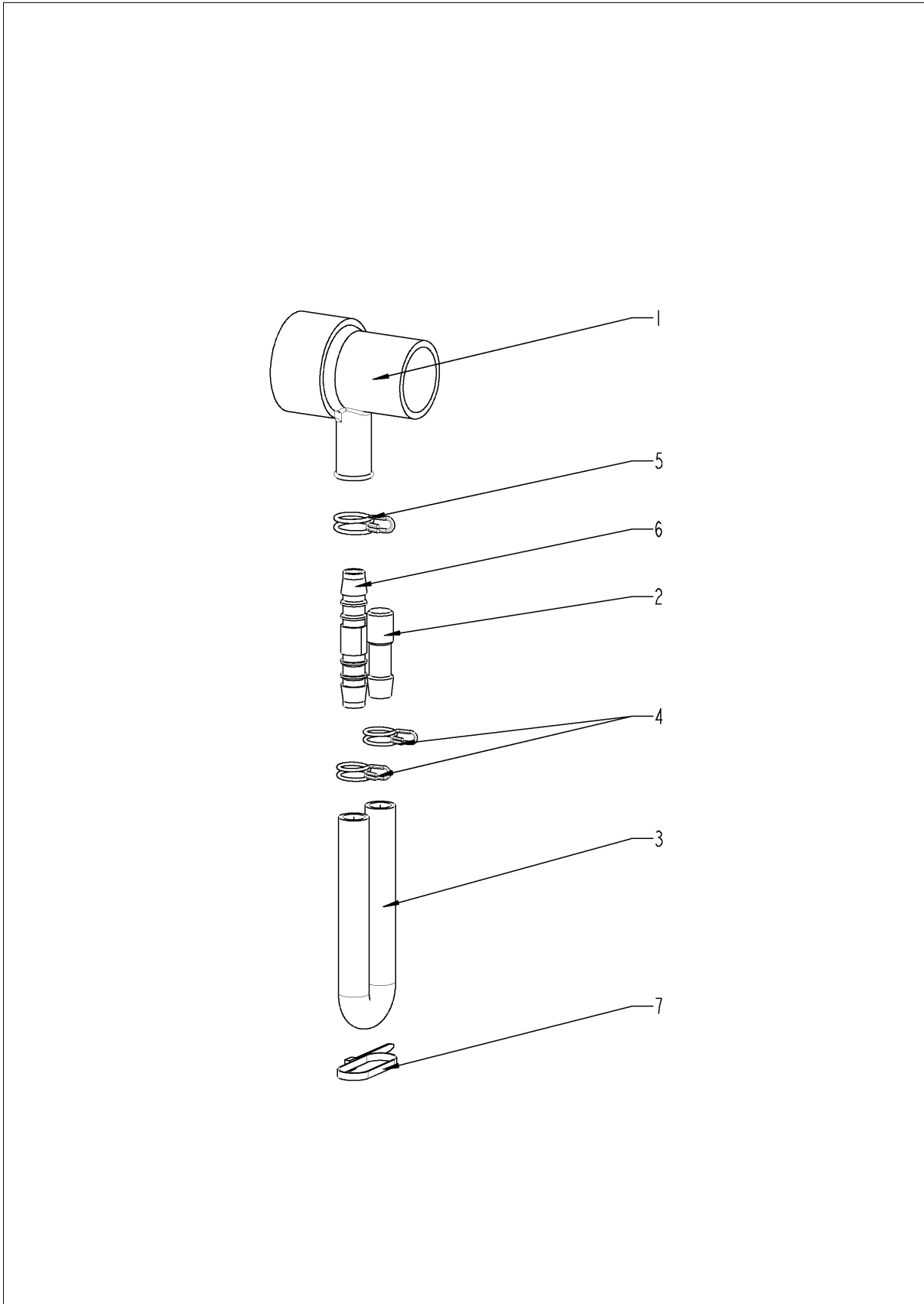
# Steam generator



## Steam generator

Pos.	Part No.	Description	Qty.
1	44.00.943	Steam generator insolated	1
2	10.00.709	Hex nut M6 w. locking	2
14	44.01.376	Heating element	1
15	44.01.376	Heating element	1
17	44.00.279	Gasket f. heating element	2
18	10.00.709	Hex nut M6 w. locking	18
19	2066.0519	Hose clamp 35,6mm	1
20	2066.0526	Hose clamp ø46mm	1
21	44.00.207	Emptying pump	1
22	1006.0762	Hex screw M6x10	2
23	1306.0222	Washer A6,4x15x1,5	2
24	44.00.232	Fixing device f. pump steam generator	1
25	10.00.709	Hex nut M6 w. locking	2
26	44.01.222	Drain hose steam generator	1
27	40.04.106	Thermocouple steam generator *B5*	1
29	10.00.414	Cable strap black 120°	1
30	1104.0122	Hex combination nut M4 galv	1
31	2112.1006	Steam hose 50x7mm	1
32	2066.0504	Hose clamp 40-60mm	2
34	44.00.280	Gasket f. heating element+Level elektrode insert	1
35	2920.1300	Level elektrode insert	1
36	10.00.709	Hex nut M6 w. locking	4
37	44.01.291	Filling level electrode 90 mm	1
38	44.01.168	Fixing angle steam generator	1
39	44.01.181	Fixing angle steam generator	1
40	44.01.031	Closing cap for steam generator	1
41	10.00.982	Hose clamp D=18.2	1
43	2066.0518	Hose clamp 30mm	2
A	8354.1320	Pump connection spout cpl.	1

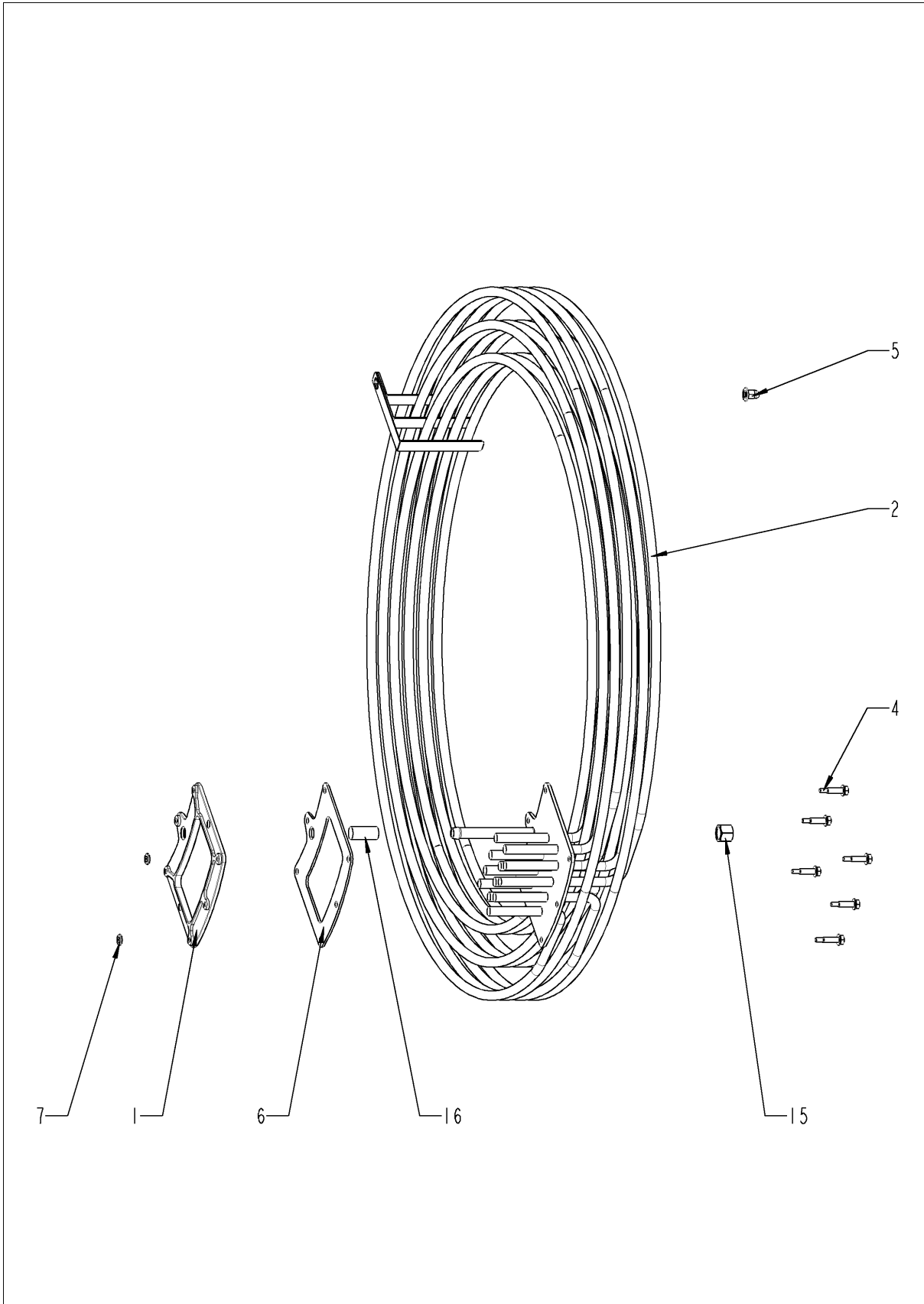
## Pump connection spout



## Pump connection spout

Pos.	Part No.	Description	Qty.
1	2118.1000	Pump connection spout	1
2	2120.1259	Stop plug 10mm	1
3	2110.1008	Silicon hose $\varnothing$ 10x2mm	1
4	2066.0527	Hose clamp $\varnothing$ 14mm	2
5	2066.0530	Hose clamp $\varnothing$ 16.4mm	1
6	2062.0331	Junction pressure hose GS 10	1
7	4005.0101	Tie rap 145 mm	1

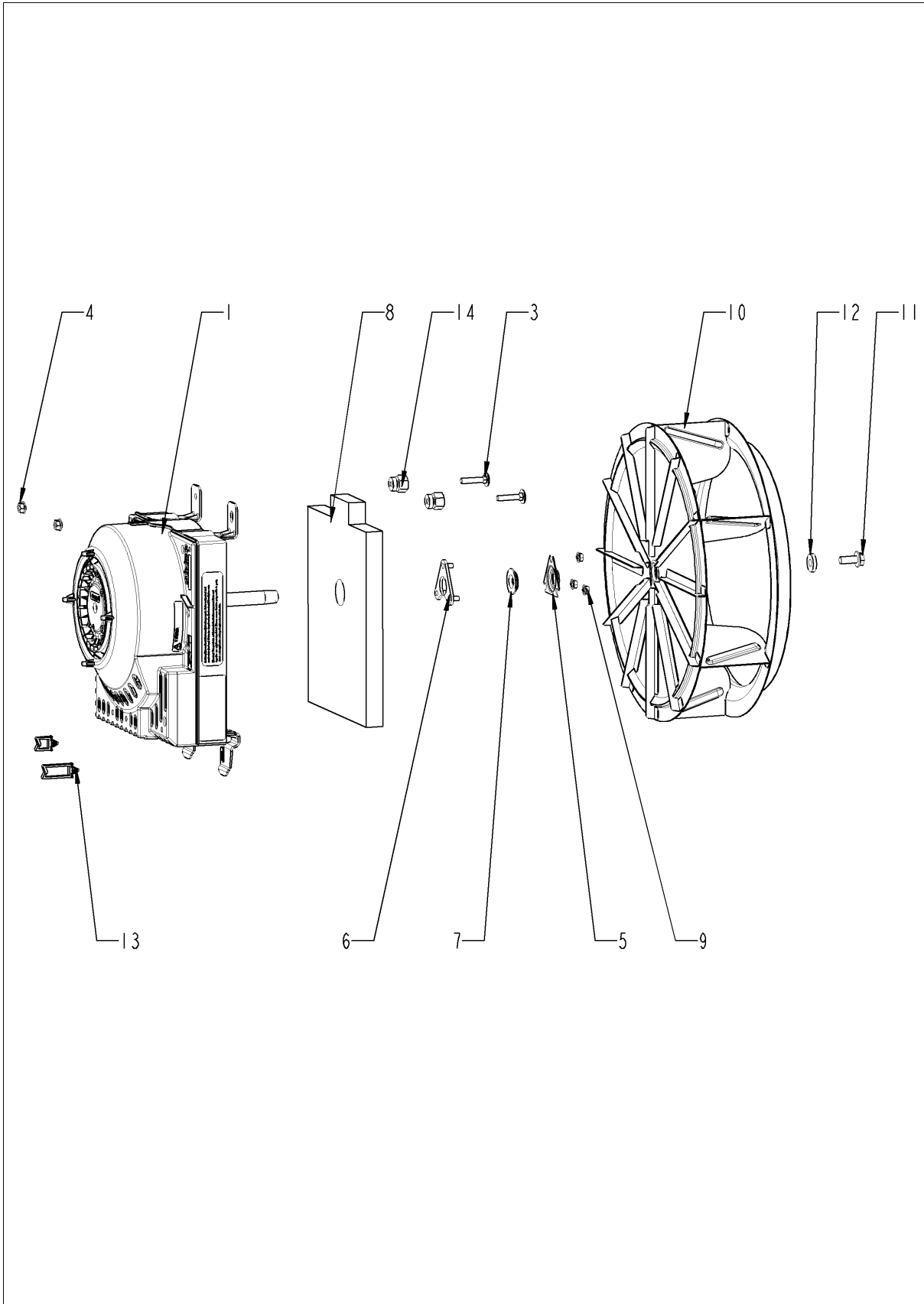
## Hot air heating



## Hot air heating

Pos.	Part No.	Description	Qty.
1	<a href="#">40.03.413</a>	Mating flange f. heating assembly	1
2	40.03.645	Heating assembly	1
4	<a href="#">10.00.109</a>	Hex screw M5x23	6
5	<a href="#">10.01.076</a>	Cap nut M5*A2	1
6	<a href="#">40.03.416</a>	Gasket f. heating assembly	1
7	<a href="#">1107.0103</a>	Star lock ø3	2

## Motor and fan wheel



## Motor and fan wheel

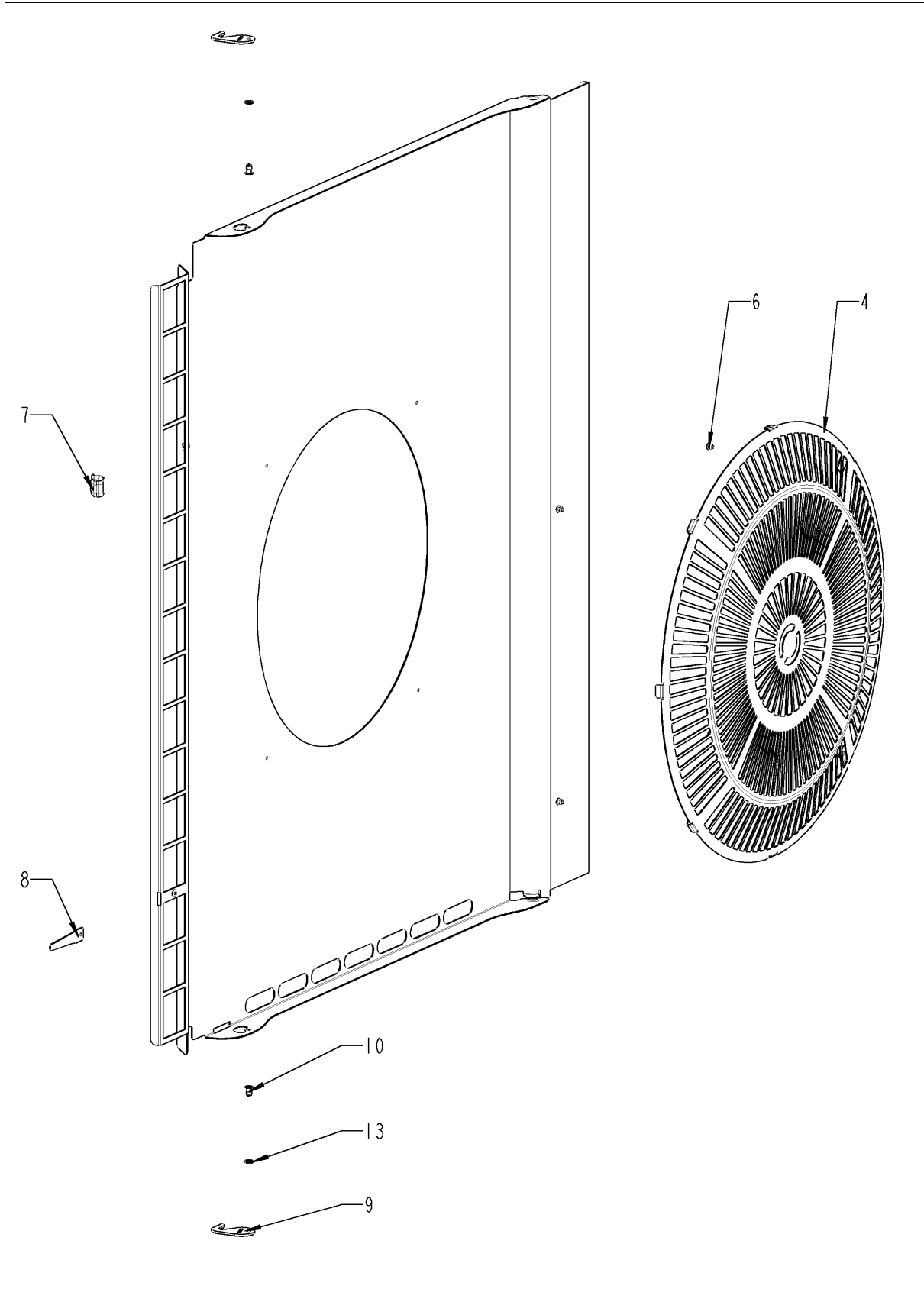
Pos.	Part No.	Description	Qty.
1	40.03.513	Fan motor	1
3	<a href="#">10.01.049</a>	Square necked mushroom head bolt 6x30	4
4	<a href="#">10.00.709</a>	Hex nut M6 w. locking	2
5	<a href="#">22.00.721</a>	Flange f. motor shaft gasket	1
6	<a href="#">22.00.722</a>	Mounting support f. gasket flange	1
7	22.00.083	Motor shaft gasket	1
8	<a href="#">20.01.755</a>	Isolation for mounting plate for motor	1
9	<a href="#">10.01.065</a>	Hex nut M5	3
10	<a href="#">22.00.829</a>	Fan wheel	1
11	10.00.565	Hex screw M8x20	1
12	<a href="#">1308.0162</a>	Washer A8,4	1
13	<a href="#">10.00.111</a>	Cable clip long	3
14	<a href="#">20.01.411</a>	Bushing for motor mounting bar	4



## Interior cabinet

Pos.	Part No.	Description	Qty.
1	40.00.290	Thermocouple humidity	1
2	10.00.087	Clamp strap f. sensor	1
3	10.00.100	Hex nut M4, self-locking	1
7	40.04.114	Wiring interior light	1
8	40.00.098	Reflector f. interior light	1
9	40.00.091	Gasket frame w. glass a. gaskets	1
10	3024.0201	Halogen bulb 300°C	1
11	20.01.803	Door gasket	1
12	40.04.040	Meat probe sensor	1
13	10.00.612	Hex nut M16 flat	1
14	1315.0104	Copper washer 16x20x1,5	1
16	40.01.317	Screen core temperature sensor	1
17	10.01.076	Cap nut M5*A2	2
20	40.03.488	Thermocouple interior cabinet B1	1
21	40.03.782	Screen interior cabinet sensor	1
22	10.01.076	Cap nut M5*A2	2
23	54.01.117	Outlet sieve	1
24	40.01.482	Safety temperature limiter 365°C	1
25	3014.0327	Hex nut M10x1,0	1
A	22.00.926	Air baffle	1

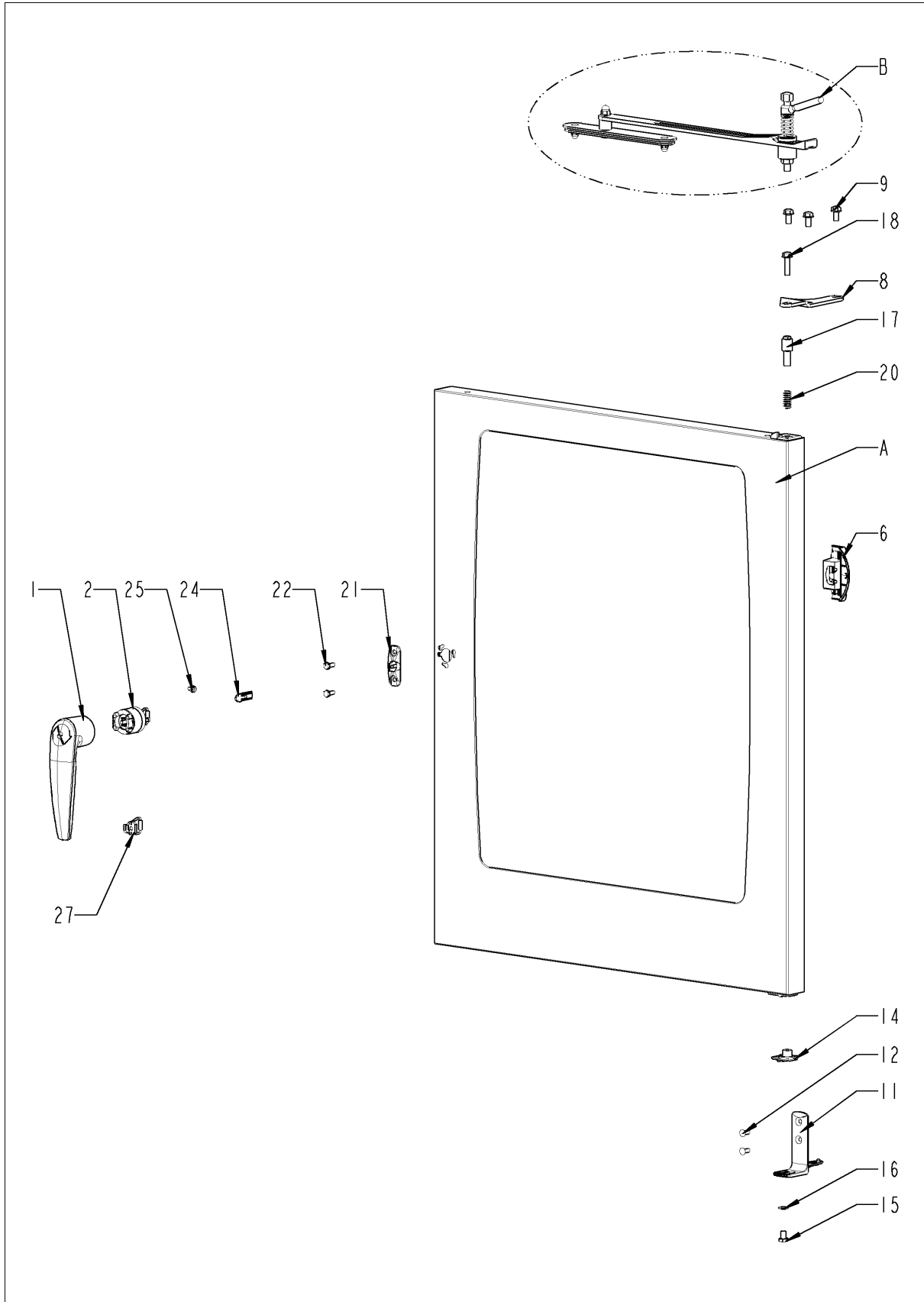
## Air baffle



## Air baffle

Pos.	Part No.	Description	Qty.
4	<a href="#">22.00.734</a>	Hand protection	1
6	<a href="#">10.00.515</a>	Rivet 3,2x5 A4	4
7	<a href="#">40.03.780</a>	Fixing clip core temp. cable	1
8	<a href="#">22.00.491</a>	Surge guard for Meat probe sensor	1
9	<a href="#">2760.1370</a>	Latch hook for air baffle	2
10	<a href="#">1604.0167</a>	Rivet 4x10	3
13	<a href="#">10.00.744</a>	Washer A4,3 *A4	1

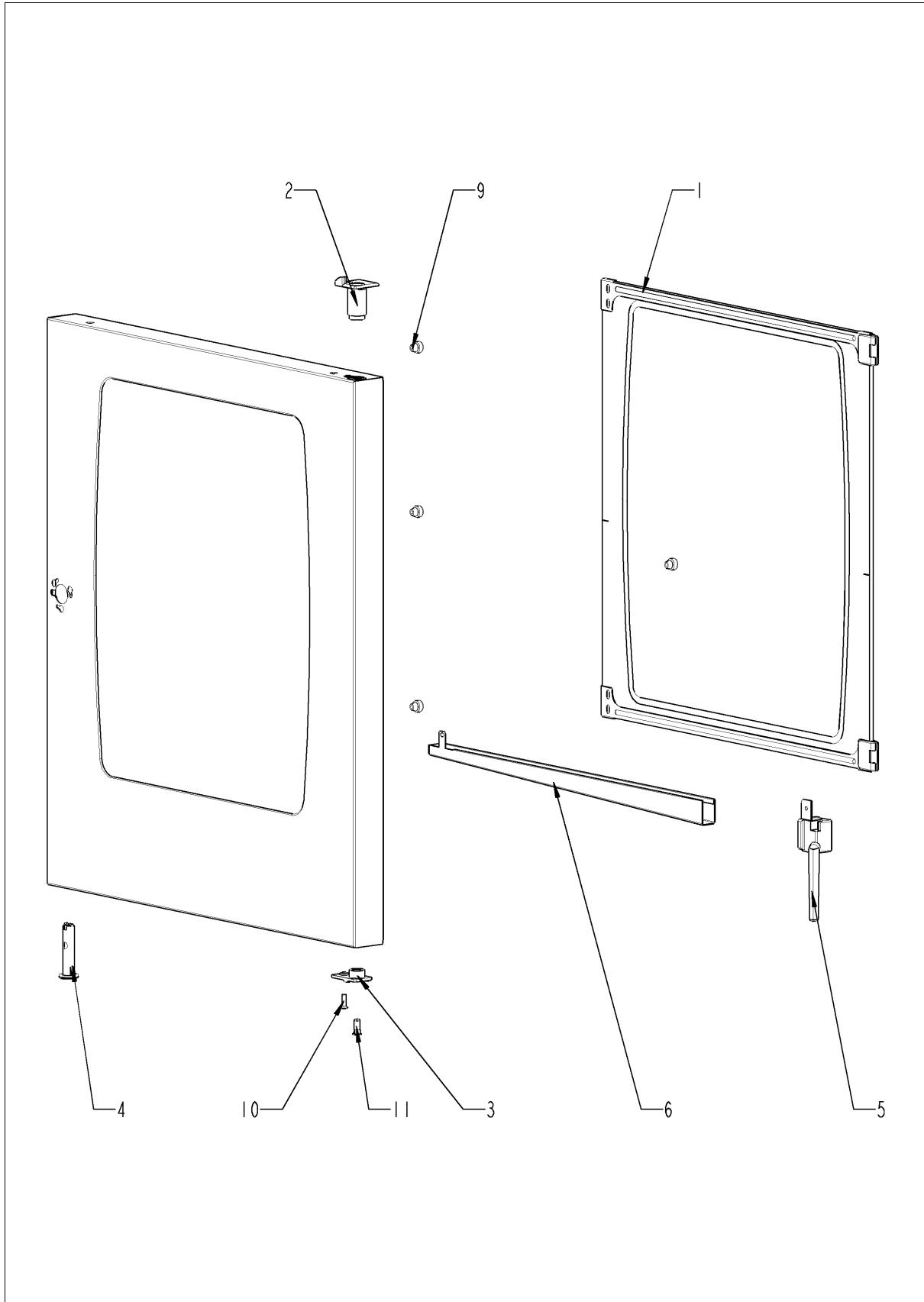
# Door



## Door

<b>Pos.</b>	<b>Part No.</b>	<b>Description</b>	<b>Qty.</b>
1	24.00.152	Door handle	1
2	24.00.176	Door lock	1
6	24.00.504	Lock cover	1
8	24.00.133	Door mounting support top	1
9	1008.0768	Ornamental screw M8x16	3
11	24.00.223	Door mounting support bottom	1
12	1006.1962	Countersunk screw Torx M6x16	2
14	24.00.137	Door bolt	1
15	10.00.099	Hex screw M8x12	1
16	1308.0160	Washer A8,4	1
17	24.00.048	Door bolt	1
18	1008.0769	Ornamental screw M8x30	1
20	2001.0109	Compression spring	1
21	24.00.141	Holding bracket f. door catch	1
22	1006.0760	Hex screw M6x16	2
24	24.00.142	Door catch	1
25	1005.2000	Interlocking tooth screw M5x8	1
27	24.01.100	Spring clip f. door lock	1
A	24.00.113	Door	1

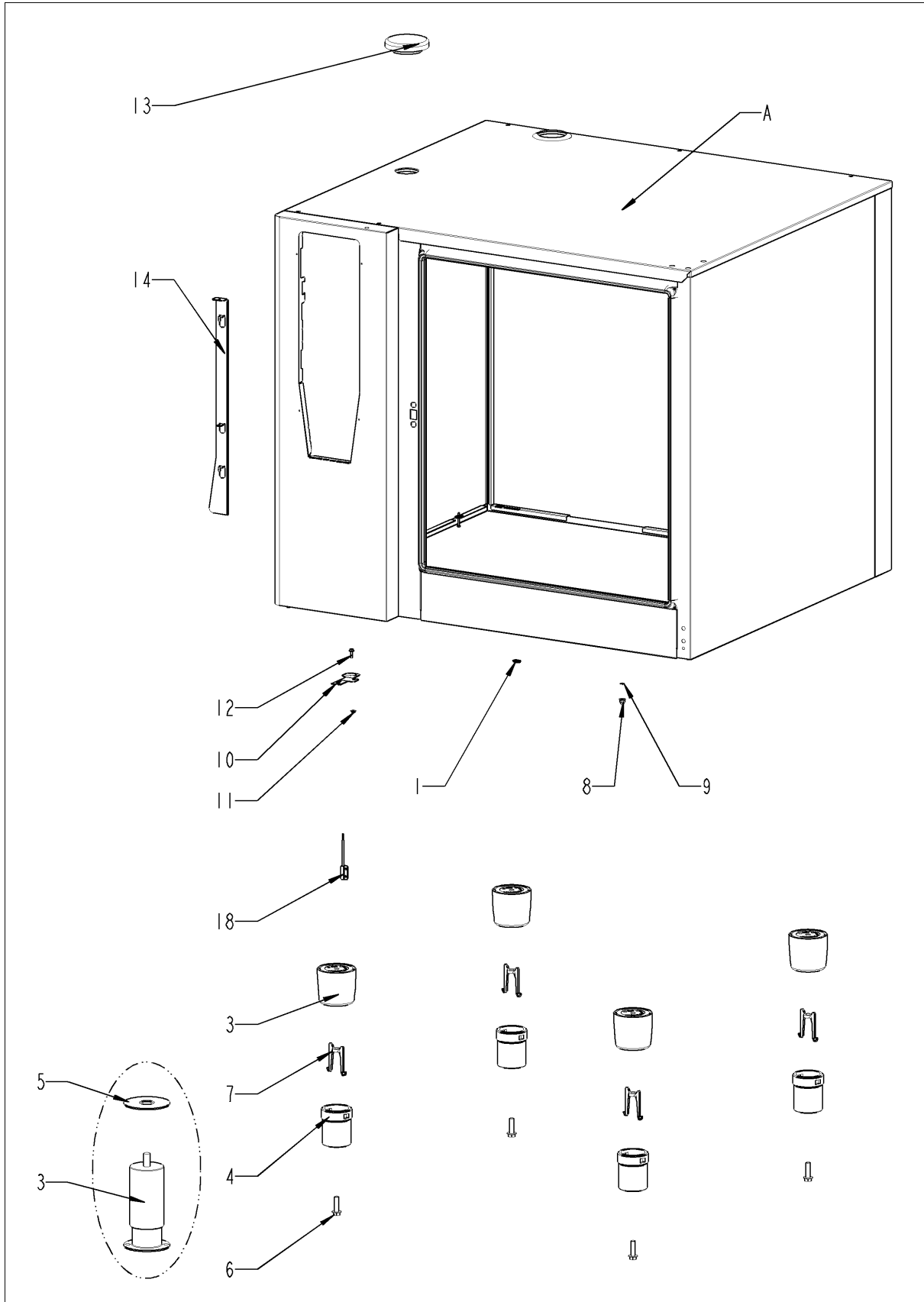
# Door



## Door

Pos.	Part No.	Description	Qty.
1	<a href="#">24.00.200</a>	Inner glass pane	1
2	<a href="#">24.00.147</a>	Sleeve for door bolt top	1
3	<a href="#">24.00.146</a>	Door setting bolt	1
4	<a href="#">24.00.502</a>	Fixing device f. magnet with magnet	1
5	<a href="#">24.01.188</a>	Drain door drip collector	1
6	<a href="#">24.01.801</a>	Door drip collector	1
9	<a href="#">24.00.171</a>	Silicone buffer 7mm for door	1
10	<a href="#">1005.1966</a>	Countersunk screw Torx M5x16	2
11	<a href="#">10.00.041</a>	Rivet nut M5 hexagon closed	2

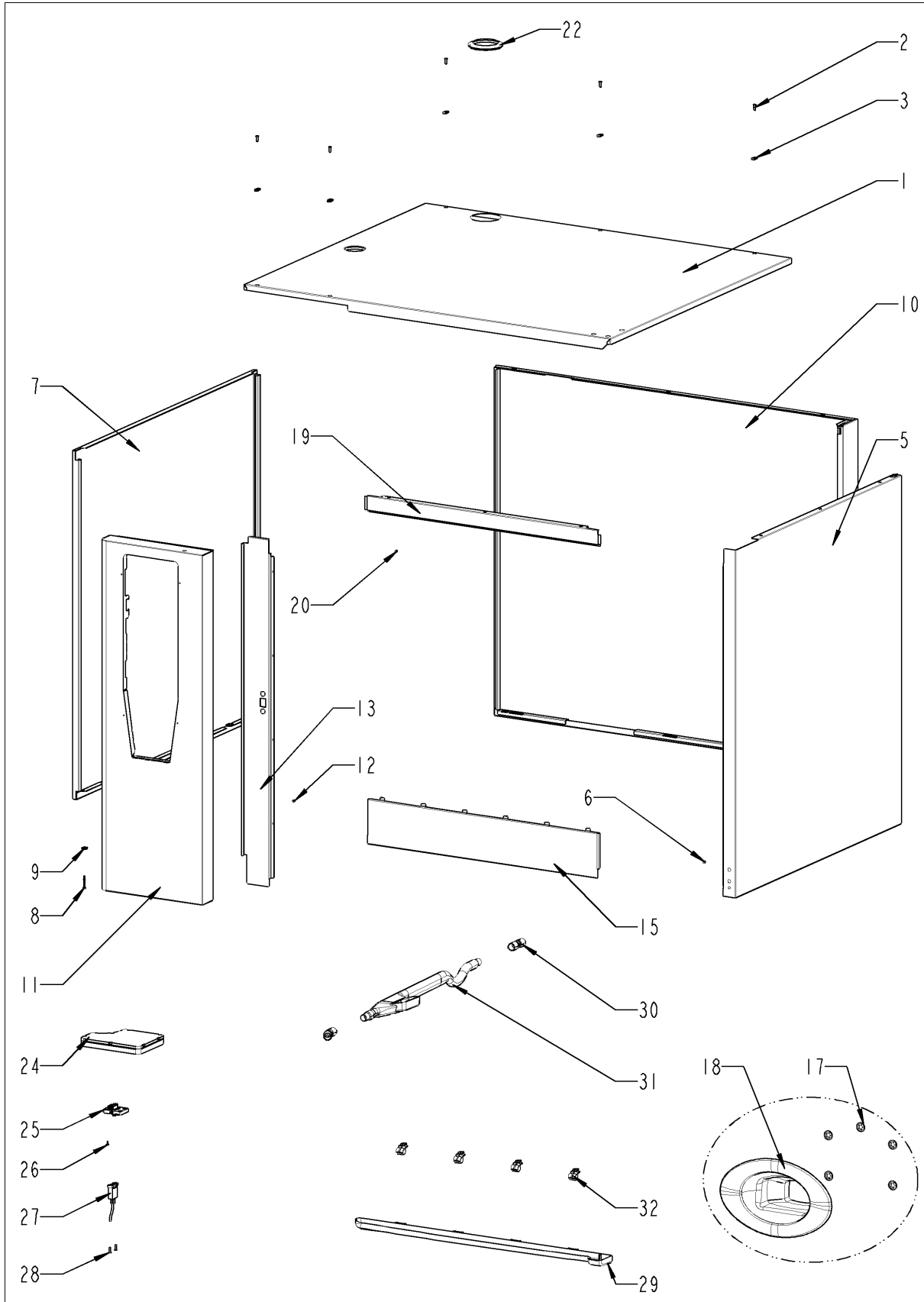
## Exterior cabinet



## Exterior cabinet

Pos.	Part No.	Description	Qty.
1	1104.0820	Snap nut 4,2mm	3
2	1110.0800	Cage nut M10	3
3	12.00.205	Upper part of pedestal	4
4	12.01.133	Lower part of pedestal	4
6	10.00.975	Hex screw M10x35	4
7	12.00.516	Turning lock f. lower part of pedestal	4
8	10.00.745	Cap nut M6*A2	1
9	1206.0120	Tooth lock washer A6,4	1
10	16.01.146	Bracket for door contact switch	1
11	1105.0123	Hex combination nut M4	1
13	22.00.767	Vent cover	1
14	16.01.965	Opening mechanism for panel insert	1
18	40.00.335	Door switch	1
A		Exterior cabinet	1

## Exterior cabinet



## Exterior cabinet

<b>Pos.</b>	<b>Part No.</b>	<b>Description</b>	<b>Qty.</b>
1	16.02.154	Top cover	1
2	1003.2265	Countersunk self tapping screw 4,2x16	5
3	1104.0820	Snap nut 4,2mm	5
5	16.00.154	Side panel right	1
6	1603.0166	Rivet 3,2x7,9 CNS closed	4
7	16.00.155	Side panel left	1
8	10.00.992	Hex self tapping screw B4,2x32	2
9	1104.0820	Snap nut 4,2mm	2
10	16.01.927	Back panel	1
11	16.01.858	Front panel	1
12	1603.0166	Rivet 3,2x7,9 CNS closed	4
13	16.00.681	Crossbar front panel	1
15	16.00.322	Crossbar below f. tulip	1
16	1004.2160	Hex self tapping screw 4,2x16	3
17	1107.0100	Star lock ø4	5
18	50.00.751	Tulip for handshower with tape	1
19	16.00.331	Crossbar top	1
20	1603.0166	Rivet 3,2x7,9 CNS closed	4
22	16.01.434	Gasket f. breather tube d=74mm	1
24	40.02.684	Air inlet filter cpl.	1
25	16.00.329	Cover f. USB interface	1
26	10.00.103	EJOT PT-screw KA 3.5x10	1
27	40.04.046	Interface cable USB 1.0m	1
28	10.00.460	EJOT PT-Screw Torx 3,5x14	2
29	50.00.300	Drip collector	1
30	50.00.303	Bushing drip collector	2
31	50.01.614	Drain pipe with bushing	1
32	50.00.296	Clip f. drip collector	4



## Water

Pos.	Part No.	Description	Qty.
1	54.00.879	Ventilation pipe	1
2	54.01.142	Rubber form piece venting pipe	1
3	2066.0516	Hose clamp 60-80 mm	2
4	50.00.086	Locking plate f. water distribution	1
6	2066.0205	Hose clamp 8-16x9 mm SW 7mm	1
8	50.00.313	T-fitting water connection	1
9	50.01.238	Hand shower roll guide *lead free*	1
10	50.01.213	Connect. pipe f. hand shower roll guide	1
11	50.00.085	Plug-in spring f. hand shower roll guide	1
12	50.00.130	Hand shower	1
13	50.00.156	Clamp f. hand shower roll guide	1
15	1105.0121	Hex combination nut M5 galv	1
30	54.01.169	Inspection lid, quenching nozzle, B2	1
31	54.01.168	Gasket f. inspection lid quenching	1
32	54.01.191	Collecting pan	1
33	10.00.745	Cap nut M6*A2	1
34	50.01.147	Single solenoid valve	1
35	50.00.071	Water distribution hor. w/o roll guide con.	1
38	2067.0050	Pressure hose d10mm	1.3
39	2067.0050	Pressure hose d10mm	.65
47	50.01.146	Single solenoid valve	1
48	50.00.070	Water distribution hor roll guide con.	1
49	2067.0050	Pressure hose d10mm	.42
50	50.00.078	Non return valve DW16/DN12	2
51	8354.1304	Venting valve for steam generator	1
52	1900.0202	Water filter	3
55	2022.0101	Grommet d8mm	1



**Combi Master 102 - 10 x 2/1 GastronormE**  
**E12MH1110**

---

## **CleanJet + Care**

Combi Master 102 - 10 x 2/1 GastronormE  
E12MH1110

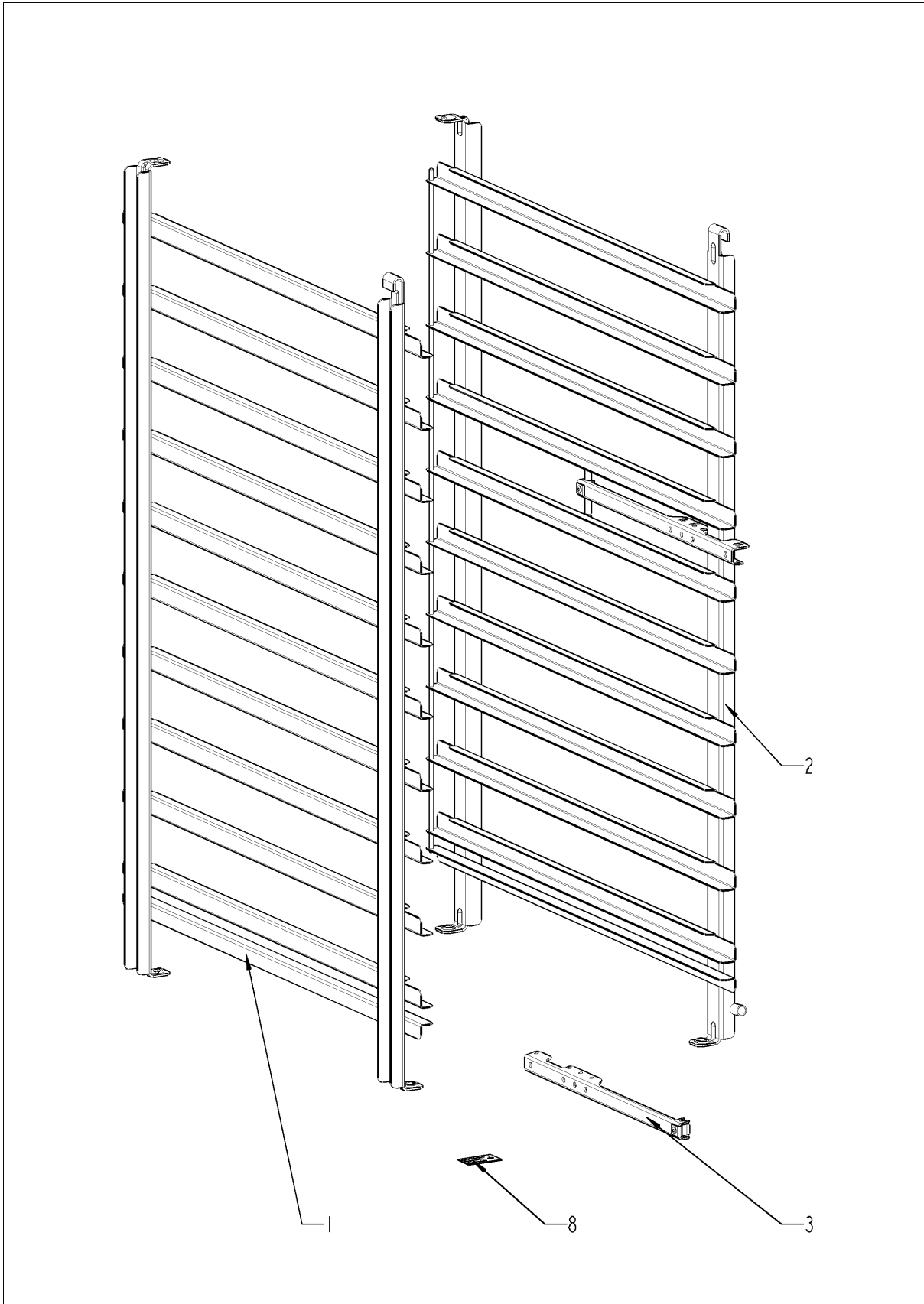
---



## CleanJet + Care

Pos.	Part No.	Description	Qty.
------	----------	-------------	------

## Standard accessory



## Standard accessory

Pos.	Part No.	Description	Qty.
1	<a href="#">60.12.116</a>	Hinging rack left	1
2	<a href="#">60.12.117</a>	Hinging rack right	1
8	10.01.191	Sticker set	1
10	60.71.379	Water connection kit, table unit E/USA	1
10	60.71.379	Water connection kit, table unit E/USA	1

## Index

<b>Part-no.</b>	<b>Description</b>	<b>Page</b>
22.00.926	Air baffle .....	21
40.02.684	Air inlet filter cpl. ....	31
22.00.915	Air inlet pipe .....	11
40.02.641	Auxilliary contact B&J HN10 N/O .....	9
16.01.927	Back panel .....	31
16.01.146	Bracket for door contact switch .....	29
40.03.998	Bus cable 1.15m .....	7
50.00.303	Bushing drip collector .....	31
20.01.411	Bushing for motor mounting bar .....	19
40.04.048	Buzzer .....	7
10.00.111	Cable clip long .....	11, 19
40.03.981	Cable clock switch USA .....	9
40.03.814	Cable control harness .....	9
10.00.414	Cable strap black 120° .....	13
1110.0800	Cage nut M10 .....	29
10.01.076	Cap nut M5*A2 .....	17, 21
10.00.745	Cap nut M6*A2 .....	29, 33
50.00.156	Clamp f. hand shower roll guide .....	33
10.00.087	Clamp strap f. sensor .....	21
50.00.296	Clip f. drip collector .....	31
44.01.031	Closing cap for steam generator .....	13
54.01.191	Collecting pan .....	33
2001.0109	Compression spring .....	25
50.01.213	Connect. pipe f. hand shower roll guide .....	33
40.03.360	Contact assembly .....	9
40.03.666	Contact B&J K3-74B00 190 R .....	9
87.01.006	Control panel insert with overlay *RAT* .....	5
42.00.090	Control pcb *Sicotronic* .....	5
40.03.348	Control transformer T1 .....	9
40.03.257	Converter 230VAC 24VDC .....	7
40.03.428	Cooling fan .....	7
1315.0104	Copper washer 16x20x1,5 .....	21

## Index

Part-no.	Description	Page
1005.1966	Countersunk screw Torx M5x16 .....	27
1006.1962	Countersunk screw Torx M6x16 .....	25
1003.2265	Countersunk self tapping screw 4,2x16 .....	31
40.03.755	Cover behind 2 UL .....	9
16.00.329	Cover f. USB interface .....	31
40.04.122	Cover for Fuse *UL* .....	9
16.00.322	Crossbar below f. tulip .....	31
16.00.681	Crossbar front panel .....	31
16.00.331	Crossbar top .....	31
16.00.282	Dial .....	5
5110.1027	Distance plate for front panel .....	5
24.00.113	Door .....	25
24.00.137	Door bolt .....	25
24.00.048	Door bolt .....	25
24.00.142	Door catch .....	25
24.01.801	Door drip collector .....	27
20.01.803	Door gasket .....	21
24.00.152	Door handle .....	25
24.00.176	Door lock .....	25
24.00.223	Door mounting support bottom .....	25
24.00.133	Door mounting support top .....	25
24.00.146	Door setting bolt .....	27
40.00.335	Door switch .....	29
24.01.188	Drain door drip collector .....	27
22.00.960	Drain hose for humidity control .....	11
44.01.222	Drain hose steam generator .....	13
50.01.614	Drain pipe with bushing .....	31
50.00.300	Drip collector .....	31
40.03.282	Drip protection for air inlet filter 1 UL .....	9
40.01.329	Dry up protector 183° .....	9
40.01.610	Earth terminal 20 WKN 70SL/U .....	9
10.01.218	Edge protection profile .....	9

## Index

<b>Part-no.</b>	<b>Description</b>	<b>Page</b>
10.00.103	EJOT PT-screw KA 3.5x10 .....	31
10.00.460	EJOT PT-Screw Torx 3,5x14 .....	31
44.00.207	Emptying pump .....	13
4001.1203	End plate for mounting rail .....	9
40.03.499	Fan housing *UL* .....	7
40.03.513	Fan motor .....	19
22.00.829	Fan wheel .....	19
44.01.291	Filling level electrode 90 mm .....	13
44.01.168	Fixing angle steam generator .....	13
44.01.181	Fixing angle steam generator .....	13
40.03.780	Fixing clip core temp. cable .....	23
24.00.502	Fixing device f. magnet with magnet .....	27
44.00.232	Fixing device f. pump steam generator .....	13
22.00.721	Flange f. motor shaft gasket .....	19
16.01.858	Front panel .....	31
4001.0224	Fuse 6.35x32mm .....	9
40.01.487	Fuse holder 2pol .....	9
40.02.512	Fuse holder 2x6.3A .....	9
40.01.588	Fuse SC-8A 10x38 .....	9
16.01.434	Gasket f. breather tube d=74mm .....	31
40.03.416	Gasket f. heating assembly .....	17
44.00.279	Gasket f. heating element .....	13
44.00.280	Gasket f. heating element+Level elektrode insert .....	13
22.00.881	Gasket f. hum. meas. Pipe .....	11
54.01.168	Gasket f. inspection lid quenching .....	33
40.00.091	Gasket frame w. glass a. gaskets .....	21
5110.1029	Gasket mode switch .....	5
2022.0101	Grommet d8mm .....	33
3024.0201	Halogen bulb 300°C .....	21
22.00.734	Hand protection .....	23
50.00.130	Hand shower .....	33
50.01.238	Hand shower roll guide *lead free* .....	33

## Index

<b>Part-no.</b>	<b>Description</b>	<b>Page</b>
40.03.537	Heat sink 3 SSR .....	7
40.03.645	Heating assembly .....	17
44.01.376	Heating element .....	13
1105.0123	Hex combination nut M4 .....	29
1104.0122	Hex combination nut M4 galv .....	11, 13
1105.0121	Hex combination nut M5 galv .....	33
10.00.100	Hex nut M4, self-locking .....	21
10.01.065	Hex nut M5 .....	9, 19
10.00.709	Hex nut M6 w. locking .....	9, 13, 19
3014.0302	Hex nut M10 for dry-up protector .....	9
3014.0327	Hex nut M10x1,0 .....	9, 21
10.00.612	Hex nut M16 flat .....	21
10.00.109	Hex screw M5x23 .....	17
1006.0762	Hex screw M6x10 .....	13
1006.0760	Hex screw M6x16 .....	25
10.00.099	Hex screw M8x12 .....	25
10.00.565	Hex screw M8x20 .....	19
10.00.975	Hex screw M10x35 .....	29
1004.2160	Hex self tapping screw 4,2x16 .....	31
10.00.992	Hex self tapping screw B4,2x32 .....	31
60.12.116	Hinging rack left .....	37
60.12.117	Hinging rack right .....	37
24.00.141	Holding bracket f. door catch .....	25
2066.0205	Hose clamp 8-16x9 mm SW 7mm .....	33
2066.0518	Hose clamp 30mm .....	13
2066.0519	Hose clamp 35,6mm .....	13
2066.0504	Hose clamp 40-60mm .....	13
2066.0516	Hose clamp 60-80 mm .....	33
10.00.982	Hose clamp D=18.2 .....	13
2066.0527	Hose clamp ø14mm .....	11, 15
2066.0530	Hose clamp ø16.4mm .....	15
2066.0526	Hose clamp ø46mm .....	13

## Index

<b>Part-no.</b>	<b>Description</b>	<b>Page</b>
22.00.525	Hose set f. humidity control .....	11
22.00.725	Humidity control cpl. ....	11
24.00.200	Inner glass pane .....	27
54.01.169	Inspection lid, quenching nozzle, B2 .....	33
40.04.046	Interface cable USB 1.0m .....	31
1005.2000	Interlocking tooth screw M5x8 .....	25
20.01.755	Isolation for mounting plate for motor .....	19
2062.0331	Junction pressure hose GS 10 .....	15
2760.1370	Latch hook for air baffle .....	23
2920.1300	Level elektrode insert .....	13
24.00.504	Lock cover .....	25
50.00.086	Locking plate f. water distribution .....	33
12.01.133	Lower part of pedestal .....	29
40.03.413	Mating flange f. heating assembly .....	17
40.04.040	Meat probe sensor .....	21
22.00.083	Motor shaft gasket .....	19
22.00.882	Mounting device f. pressure sensor .....	11
40.03.319	Mounting device heat sink SSR .....	7
22.00.722	Mounting support f. gasket flange .....	19
40.03.404	Mounting support transformer .....	9
50.00.078	Non return valve DW16/DN12 .....	33
22.00.837	O-ring for humidity control .....	11
16.01.965	Opening mechanism for panel insert .....	29
1008.0768	Ornamental screw M8x16 .....	25
1008.0769	Ornamental screw M8x30 .....	25
22.00.850	Outer humidity meas. Piece .....	11
54.01.117	Outlet sieve .....	21
10.00.507	Pan head screw Torx 5/16" T20 .....	7
10.00.365	Pan head screw Torx M3x20 .....	9
10.00.061	Pan head screw Torx T20 M4x12 .....	7
50.00.085	Plug-in spring f. hand shower roll guide .....	33
40.00.464	Potentiometer CT .....	5

## Index

<b>Part-no.</b>	<b>Description</b>	<b>Page</b>
2067.0050	Pressure hose d10mm .....	33
3017.1011	Pressure sensor for humidity control Huba 401 .....	11
2118.1000	Pump connection spout .....	15
8354.1320	Pump connection spout cpl. ....	13
40.00.098	Reflector f. interior light .....	21
10.00.515	Rivet 3,2x5 A4 .....	23
1603.0166	Rivet 3,2x7,9 CNS closed .....	31
1604.0167	Rivet 4x10 .....	23
10.00.041	Rivet nut M5 hexagon closed .....	27
54.01.142	Rubber form piece venting pipe .....	33
40.01.482	Safety temperature limiter 365°C .....	9, 21
40.01.317	Screen core temperature sensor .....	21
40.03.782	Screen interior cabinet sensor .....	21
16.01.908	Sealing f. panel insert .....	5
16.00.155	Side panel left .....	31
16.00.154	Side panel right .....	31
2110.1008	Silicon hose ø10x2mm .....	15
24.00.171	Silicone buffer 7mm for door .....	27
50.01.147	Single solenoid valve .....	33
50.01.146	Single solenoid valve .....	33
24.00.147	Sleeve for door bolt top .....	27
1104.0820	Snap nut 4,2mm .....	29, 31
40.00.453	Solid state relais .....	7
24.01.100	Spring clip f. door lock .....	25
10.01.049	Square necked mushroom head bolt 6x30 .....	19
1107.0103	Star lock ø3 .....	17
1107.0100	Star lock ø4 .....	31
44.00.943	Steam generator insolated .....	13
2112.1006	Steam hose 50x7mm .....	13
10.01.191	Sticker set .....	37
2120.1259	Stop plug 10mm .....	15
22.00.491	Surge guard for Meat probe sensor .....	23

## Index

<b>Part-no.</b>	<b>Description</b>	<b>Page</b>
50.00.313	T-fitting water connection .....	33
40.01.611	Terminal block grey WKN 70/U .....	9
40.00.290	Thermocouple humidity .....	21
40.03.488	Thermocouple interior cabinet B1 .....	21
40.04.106	Thermocouple steam generator *B5* .....	13
4005.0101	Tie rap 145 mm .....	15
1204.0120	Tooth lock washer A4,3 .....	7
1206.0120	Tooth lock washer A6,4 .....	29
16.02.154	Top cover .....	31
50.00.751	Tulip for handshower with tape .....	31
12.00.516	Turning lock f. lower part of pedestal .....	29
12.00.205	Upper part of pedestal .....	29
40.02.425	Varistor .....	9
22.00.767	Vent cover .....	11, 29
54.00.879	Ventilation pipe .....	33
8354.1304	Venting valve for steam generator .....	33
10.00.744	Washer A4,3 *A4 .....	23
1306.0222	Washer A6,4x15x1,5 .....	13
1308.0162	Washer A8,4 .....	19
1308.0160	Washer A8,4 .....	25
60.71.379	Water connection kit, table unit E/USA .....	37
50.00.070	Water distribution hor roll guide con. ....	33
50.00.071	Water distribution hor. w/o roll guide con. ....	33
1900.0202	Water filter .....	33
40.04.114	Wiring interior light .....	21



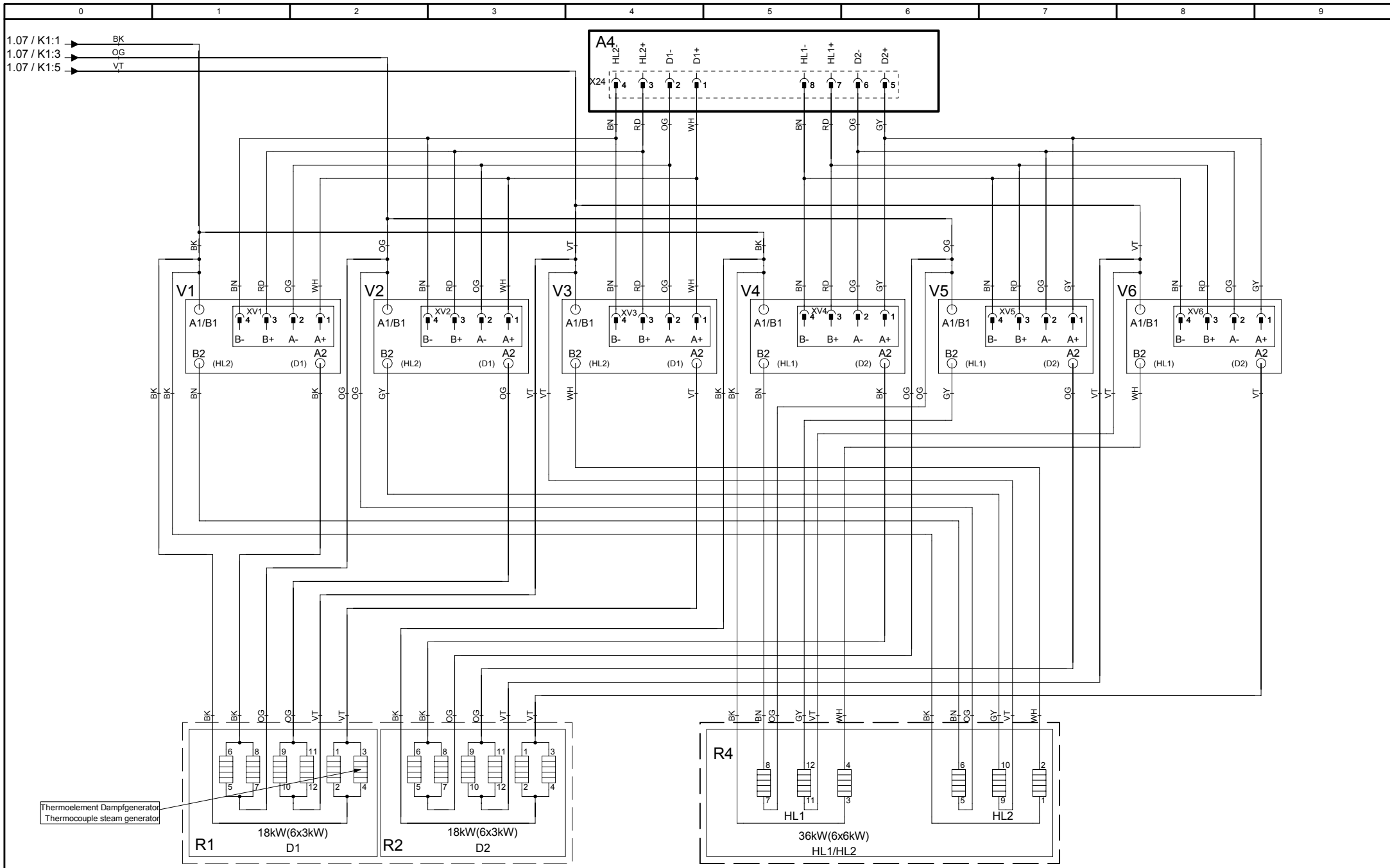


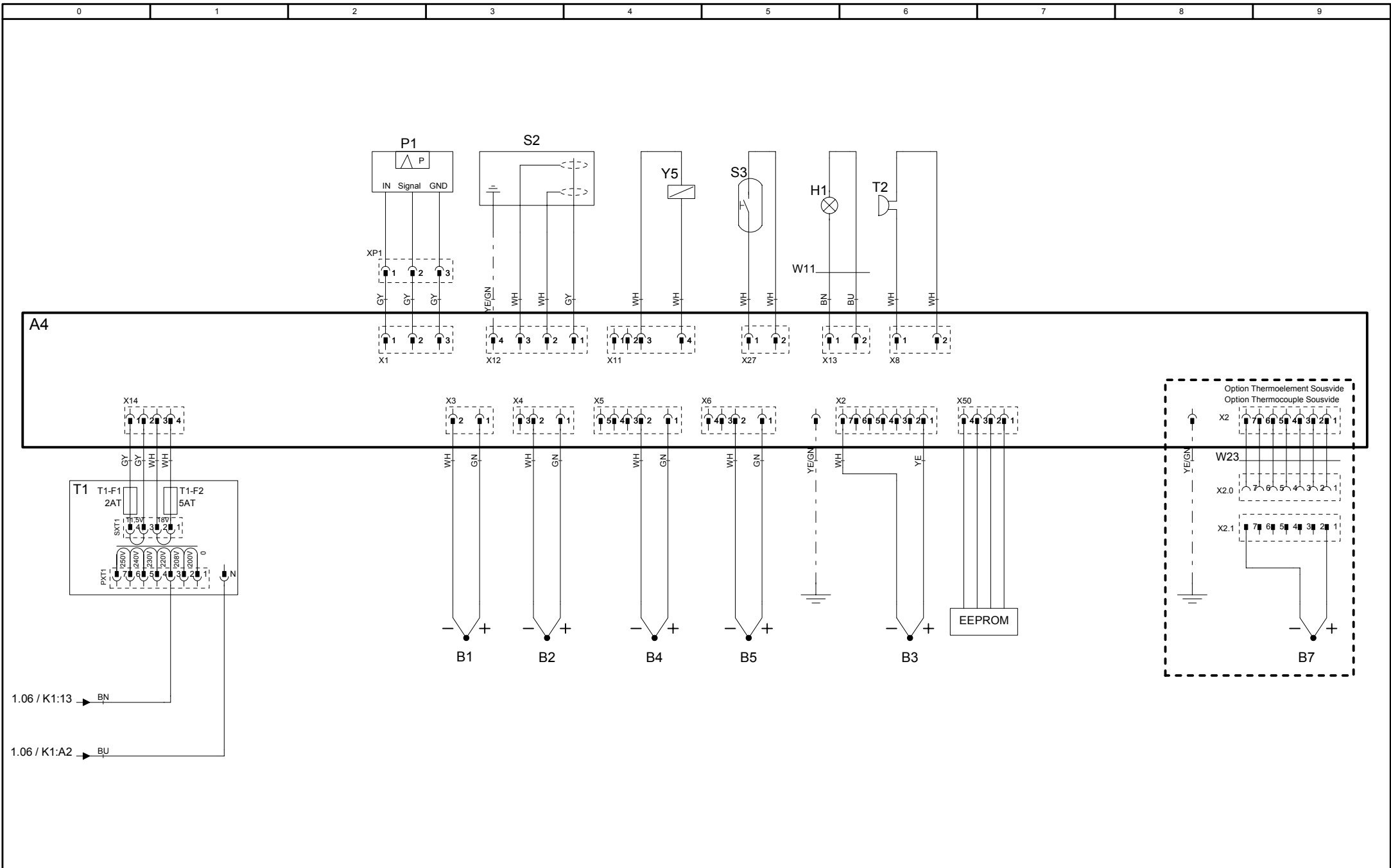
## Deckblatt Elektrische Dokumentation, Cover sheet electrical Documentation

Die Elektrische Dokumentation besteht aus: 1. diesem Deckblatt, 2. dem Schaltplan und 3. der Legende der elektrischen Bauteile  
The electric documentation contains: 1. this cover sheet, 2. the wiring diagram and 3. the bill of material (BOM)

<b>Deckblatt-Nr.</b> <b>Front Page No.</b>	75-21213	<b>Version</b>	1
<b>Typ / Type</b>	CMP 102E		
<b>Schaltplan</b> <b>Wiring diagram</b>	76-00493	<b>Version</b>	1
<b>Spannung (SPL)</b> <b>Voltage</b>	3AC208 V 60 Hz		
<b>Legende</b> <b>Legend electr. components</b>	78-00770	<b>Version</b>	1
<b>Geräteserialnr.</b> <b>Serial number</b>	E12MH1102	<b>Version</b>	1102
<b>Erstellt am</b> <b>Created at</b>	Jul 18, 2011 5:34 PM	<b>Ersteller</b> <b>Creator</b>	SCHD
<b>Gültig ab</b> <b>Valid from</b>	Aug 30, 2011 3:30 PM	<b>Änderung</b> <b>Modification</b>	







76-00493

Version 1

MODUL 3

Sensoren/Sensors

CMP 102E-UL

3AC208 V 60 Hz

Erstellt von	SCHD
Created by	
Datum	05.10.2011
Date	
Blatt	3
Page	

## Positionsliste

### Bill of material

Name Name	Artikelnr. Item number	Artikelbezeichnung	Item description	Module Modul
-A4	42.00.090	Bedienplatine CMP	Operator PCB CMP	Modul 1
-A4-F1	<a href="#">3019.0125</a>	Sicherung 1,6AT	Fuse 1,6AT	Modul 1
-B1	40.03.488	Thermoelement Garraum	Thermocouple interior cabinet	Modul 3
-B2	<a href="#">54.01.169</a>	Thermoelement Ablöschung	Thermocouple quenching	Modul 3
-B3	40.04.040	Thermoelement Kerntemperatur	Thermocouple core sensor	Modul 3
-B4	<a href="#">40.00.290</a>	Thermoelement Feuchte	Thermocouple humidity	Modul 3
-B5	<a href="#">40.04.106</a>	Thermoelement Dampfgenerator	Thermocouple steam generator	Modul 3
-F1/F2	<a href="#">40.01.588</a>	Steuersicherung	Control fuse	Modul 1
-F3	<a href="#">40.01.329</a>	Sicherheitstemperaturbegrenzer Gas:157°C/314° F Elek.:183°C/360°F	Safety thermostat steam generator Gas: 157°C/ 314°F Elec.: 183°C/360°F	Modul 1
-F4	<a href="#">40.01.482</a>	Sicherheitstemperaturbegrenzer 360°C/680°F	Safety thermostat interior cabinet 360°C/680°F	Modul 1
-G1	<a href="#">40.03.257</a>	Gleichrichter Kühllüfter	DC converter cooling fan	Modul 1
-H1	<a href="#">3024.0201</a>	Garraumbeleuchtung	Interior cabinet light	Modul 3
-K1	40.03.666	Hauptschütz	Main contactor	Modul 1
-M1	40.03.513	Lüftermotor	Fan motor	Modul 1
-M4	44.00.207	SC-Pumpe	SC-pump	Modul 1
-M5	<a href="#">40.03.428</a>	Kühllüfter	Cooling fan	Modul 1
-P1	<a href="#">3017.1011</a>	Differenzdrucksensor	Differential pressure sensor	Modul 3
-R1	44.01.376	Dampfheizkörper	Heating element steam	Modul 2
-R2	44.01.376	Dampfheizkörper	Heating element steam	Modul 2
-R4	40.03.645	Heißluftheizkörper	Heating element hot air	Modul 2
-S2	44.01.291	Niveauelektrode	Water level electrode	Modul 3
-S3	40.00.335	Türkontaktschalter	Door contact switch	Modul 3

Änderungsdatum	<b>30.08.2011</b>	Name	<b>CMP 102E-UL</b>	Dokument-Nr.	<b>78-00770</b>
Erzeuger	<b>SCHD</b>	Spannung	<b>3AC208 V 60 Hz</b>	Version	<b>1</b>

## Positionsliste

### Bill of material

<b>Name Name</b>	<b>Artikelnr. Item number</b>	<b>Artikelbezeichnung</b>	<b>Item description</b>	<b>Module Modul</b>
-S7	<a href="#">40.00.464</a>	Potentiometer Zeit / Kerntemperatur	Time / Core potentiometer	Modul 3
-T1	<a href="#">40.03.348</a>	Steuertrafo	Control transformer	Modul 3
-T1-F1	<a href="#">3019.0120</a>	Sicherung Steuertrafo T1 2AT	Fuse control transformer T1 2AT	Modul 3
-T1-F2	<a href="#">3019.0126</a>	Sicherung Steuertrafo T1 5AT	Fuse control transformer T1 5AT	Modul 3
-T2	<a href="#">40.04.048</a>	SCC WE: Lautsprecher / CMP: Alarmsummer	SCC WE: Speaker / CMP: Buzzer	Modul 3
-V1-V12	<a href="#">40.00.453</a>	Leistungshalbleiter	Solid state relais	Modul 2
-W11	<a href="#">40.04.114</a>	Kabel: Garraumbeleuchtung	Cable: interior cabinet light	Modul 3
-W17	<a href="#">40.03.814</a>	Kabel: Steuerstamm	Cable: control harness	Modul 1
-W20	<a href="#">40.03.981</a>	Kabel: Spannungswahlschalter UL	Cable: selector switch UL	Modul 1
-X20	<a href="#">40.04.180</a>	Sicotronic-Klemme	Sicotronic link	Modul 1
-Y1	<a href="#">50.01.147</a>	Magnetventil Füllen	Solenoid valve filling	Modul 1
-Y2	<a href="#">50.01.146</a>	Magnetventil Ablöschung	Solenoid valve quenching	Modul 1
-Y5	<a href="#">22.00.725</a>	Klimaventil	Clima valve	Modul 3
-Z1	<a href="#">40.02.425</a>	Entstörfilter/Varistor	Electronic noise filter	Modul 1

Änderungsdatum	<b>30.08.2011</b>	Name	<b>CMP 102E-UL</b>	Dokument-Nr.	<b>78-00770</b>
Erzeuger	<b>SCHD</b>	Spannung	<b>3AC208 V 60 Hz</b>	Version	<b>1</b>