

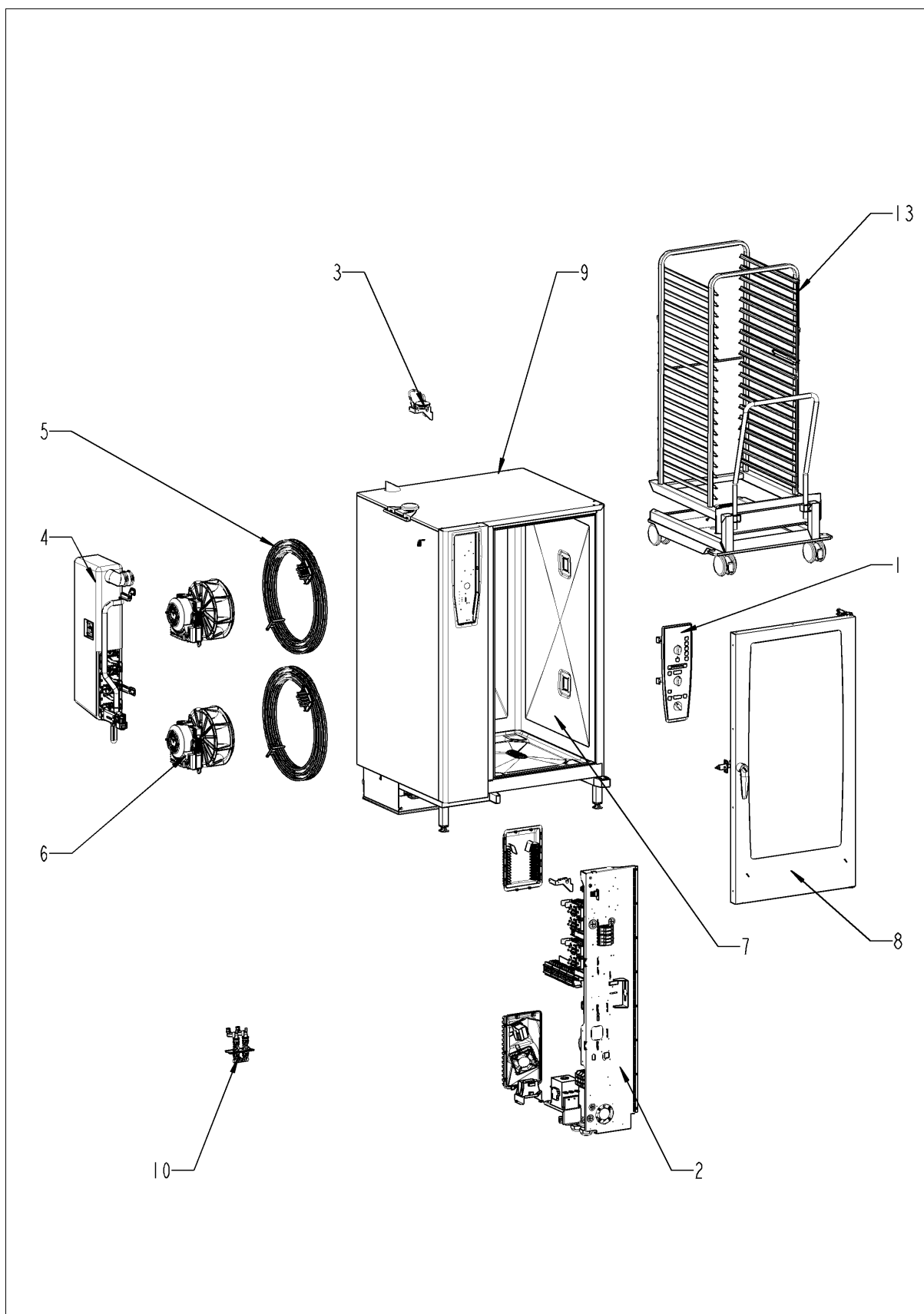
Service part catalogue

SelfCookingCenter® whiteefficiency®
Combi Master 202 - 20 x 2/1 GastronormE

E22MH1112



SelfCookingCenter® whiteefficiency®

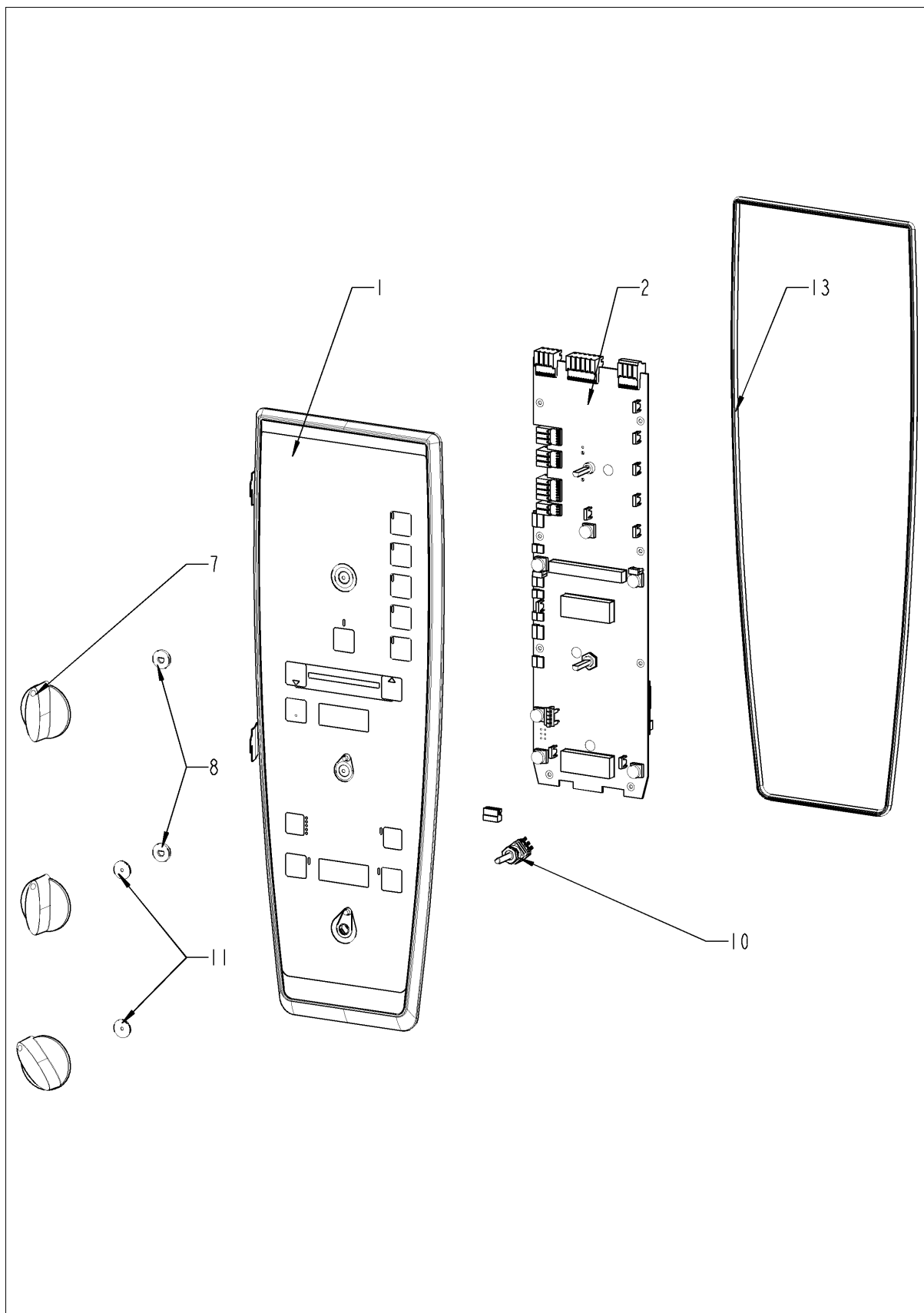


Combi Master 202 - 20 x 2/1 GastronormE
E22MH1112

SelfCookingCenter® whiteefficiency®

Pos.	Part No.	Description	Qty.
1		Control panel	1
2		Electrical installation	1
3		ClimaPlus	1
4		Steam generator	1
5		Hot air heating	1
6		Motor and fan wheel	1
7		Interior cabinet	1
8		Door	1
9		Exterior cabinet	1
10		Water	1
11		CleanJet + Care	1
13		Standard accessory	1

Control panel



Combi Master 202 - 20 x 2/1 GastronormE
E22MH1112

Control panel

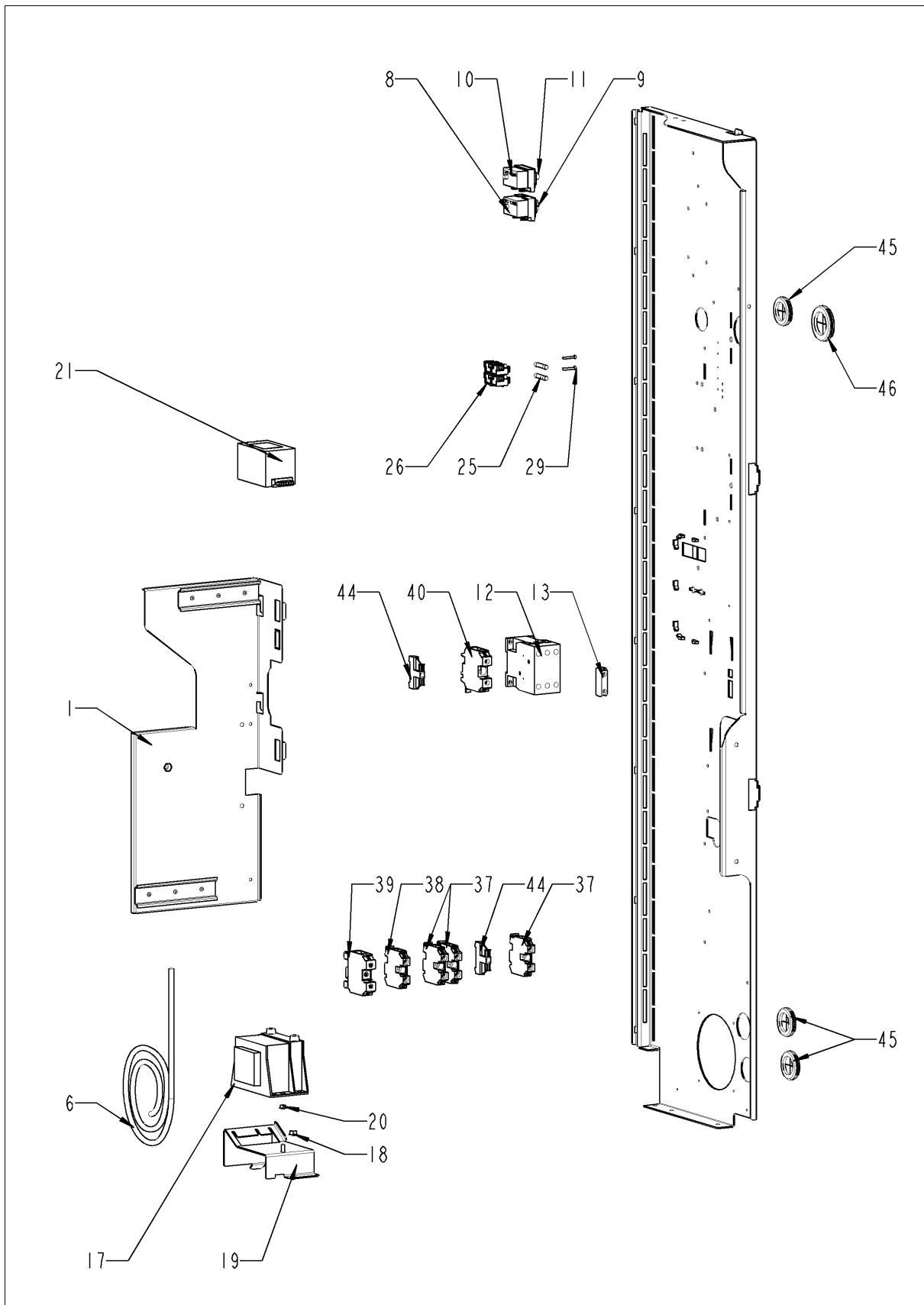
Pos.	Part No.	Description	Qty.
1	87.01.104	Control panel insert with overlay *FU*	1
2	42.00.161	Control pcb	1
7	16.00.822	Dial OEM, black-grey	3
8	5110.1027	Distance plate for front panel	2
10	40.00.464	Potentiometer CT	1
11	5110.1029	Gasket mode switch	2
13	16.01.908	Sealing f. panel insert	1

Combi Master 202 - 20 x 2/1 GastronormE
E22MH1112

Electrical installation

Pos.	Part No.	Description	Qty.
1	40.00.453	Solid state relais	12
2	10.00.061	Pan head screw Torx T20 M4x12	24
3	10.00.061	Pan head screw Torx T20 M4x12	4
4	1204.0120	Tooth lock washer A4,3	4
5	40.03.537	Heat sink 3 SSR	4
6	40.03.393	Mounting device heat sink SSR	2
7	10.00.507	Pan head screw Torx 5/16" T20	36
9	40.03.985	Cooling fan	1
11	40.03.425	Cooling fan	1
12	2005.0106	Protective grid for cooling fan	1
13	40.03.425	Cooling fan	1
14	40.03.425	Cooling fan	1
15	10.00.564	Pan head screw Torx T20 M4x45	6
24	40.03.999	Bus cable 1.5m	1
26	40.03.998	Bus cable 1.15m	1
30	40.03.984	Transformer f. cooling fan	1
35	40.04.048	Buzzer	1
A		Electrical installation	1

Electrical installation



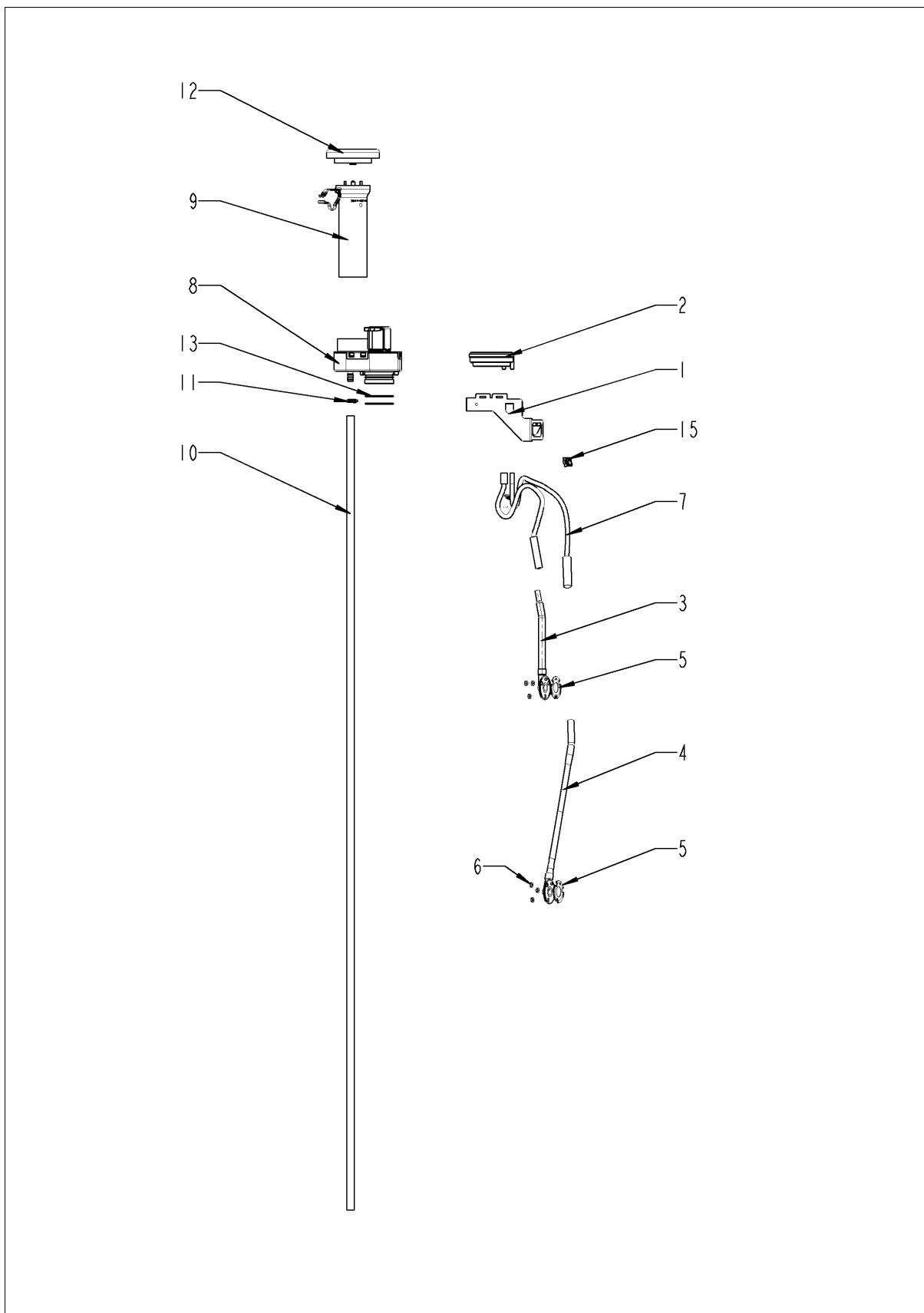
Combi Master 202 - 20 x 2/1 GastronormE

E22MH1112

Electrical installation

Pos.	Part No.	Description	Qty.
1	40.02.696	Contacteur assembly	1
5	40.03.487	Cable contactor-SSR	1
6	40.03.816	Cable control harness	1
8	40.01.329	Dry up protector 183°	1
9	3014.0302	Hex nut M10 for dry-up protector	1
10	40.01.482	Safety temperature limiter 365°C	1
11	3014.0327	Hex nut M10x1,0	1
12	40.04.008	Contacteur B&J K3-176A00 230	1
13	40.02.798	Auxilliary contact B&J HKA11 N/O-N/C	1
14	10.00.066	Raised countersunk head screw Torx T20 M4x16	4
15	10.00.744	Washer A4,3 *A4	4
17	40.03.348	Control transformer T1	1
18	10.01.065	Hex nut M5	1
19	40.03.759	Mounting support transformer	1
20	10.00.709	Hex nut M6 w. locking	1
21	40.02.425	Varistor	1
25	4001.0224	Fuse 6.35x32mm	2
26	40.02.512	Fuse holder 2x6.3A	1
29	10.00.365	Pan head screw Torx M3x20	2
30	3019.0405	Fuse neozed 63A	12
31	40.01.491	Fuse holder block neozed 3ph 63 A	4
33	40.03.524	Mounting support for fuse holder	1
34	40.03.947	Installation rail for Contacteur	1
35	10.00.061	Pan head screw Torx T20 M4x12	3
36	4001.1235	Screw cap e neozed 63A	12
37	40.01.609	Terminal block grey WKN 150/U	3
39	40.01.610	Earth terminal 20 WKN 70SL/U	1
40	40.01.611	Terminal block grey WKN 70/U	3
44	4001.1203	End plate for mounting rail	3
45	4007.0620	Membrane DGC 29	3
46	4007.0621	Membrane DGC 36	2
52	40.03.728	Earth terminal WKN 16SL/U	1

ClimaPlus

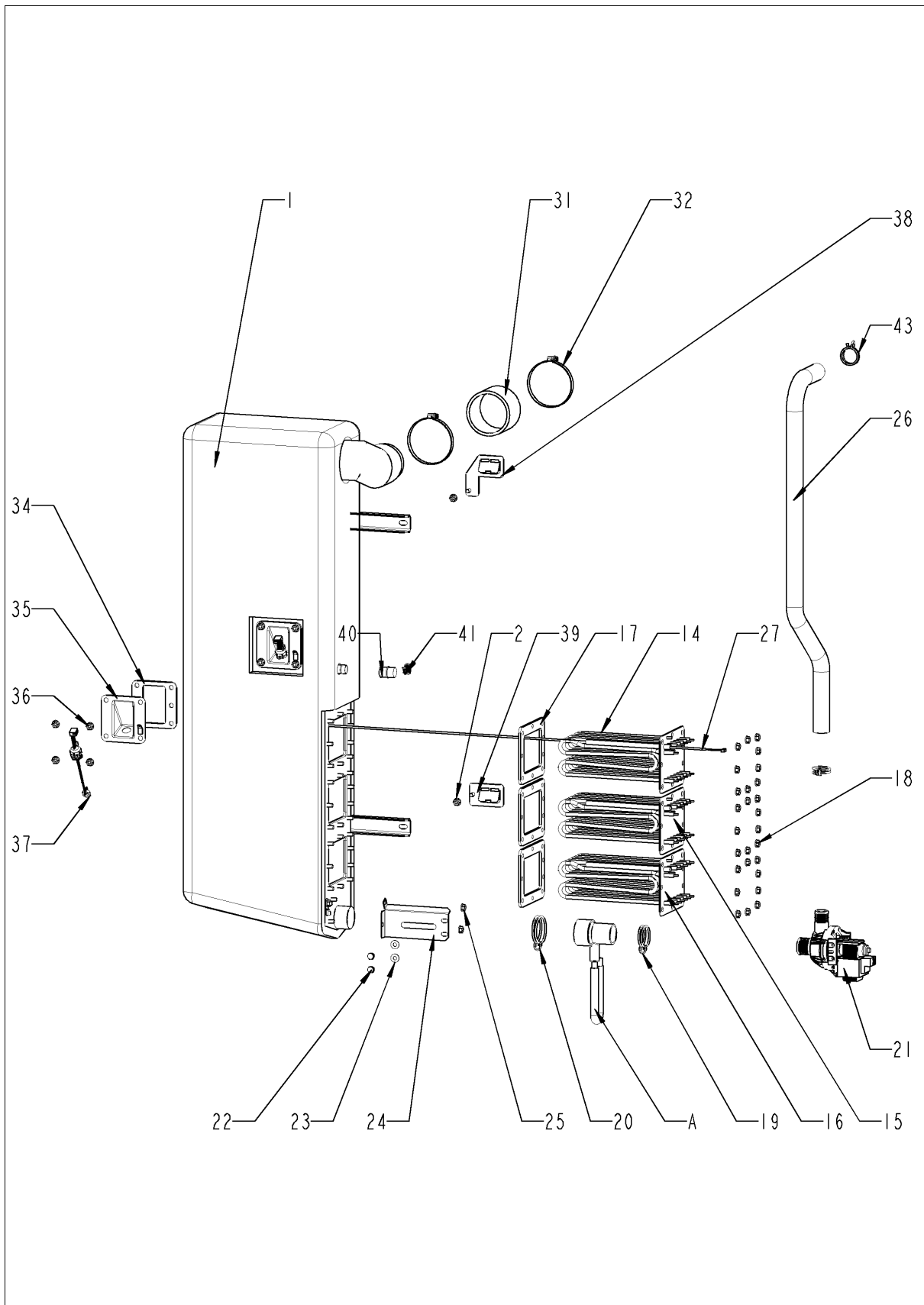


Combi Master 202 - 20 x 2/1 GastronormE
E22MH1112

ClimaPlus

Pos.	Part No.	Description	Qty.
1	22.00.882	Mounting device f. pressure sensor	2
2	3017.1011	Pressure sensor for humidity control Huba 401	1
3	22.00.908	Inner humidity meas. Piece	1
4	22.00.850	Outer humidity meas. Piece	1
5	22.00.881	Gasket f. hum. meas. Pipe	2
6	1104.0122	Hex combination nut M4 galv	6
7	22.00.525	Hose set f. humidity control	1
8	22.00.725	Humidity control cpl.	1
9	22.00.916	Air inlet pipe	1
10	22.00.958	Drain hose for humidity control	1
11	2066.0527	Hose clamp ø14mm	2
12	22.00.767	Vent cover	1
13	22.00.837	O-ring for humidity control	2
15	10.00.111	Cable clip long	2

Steam generator



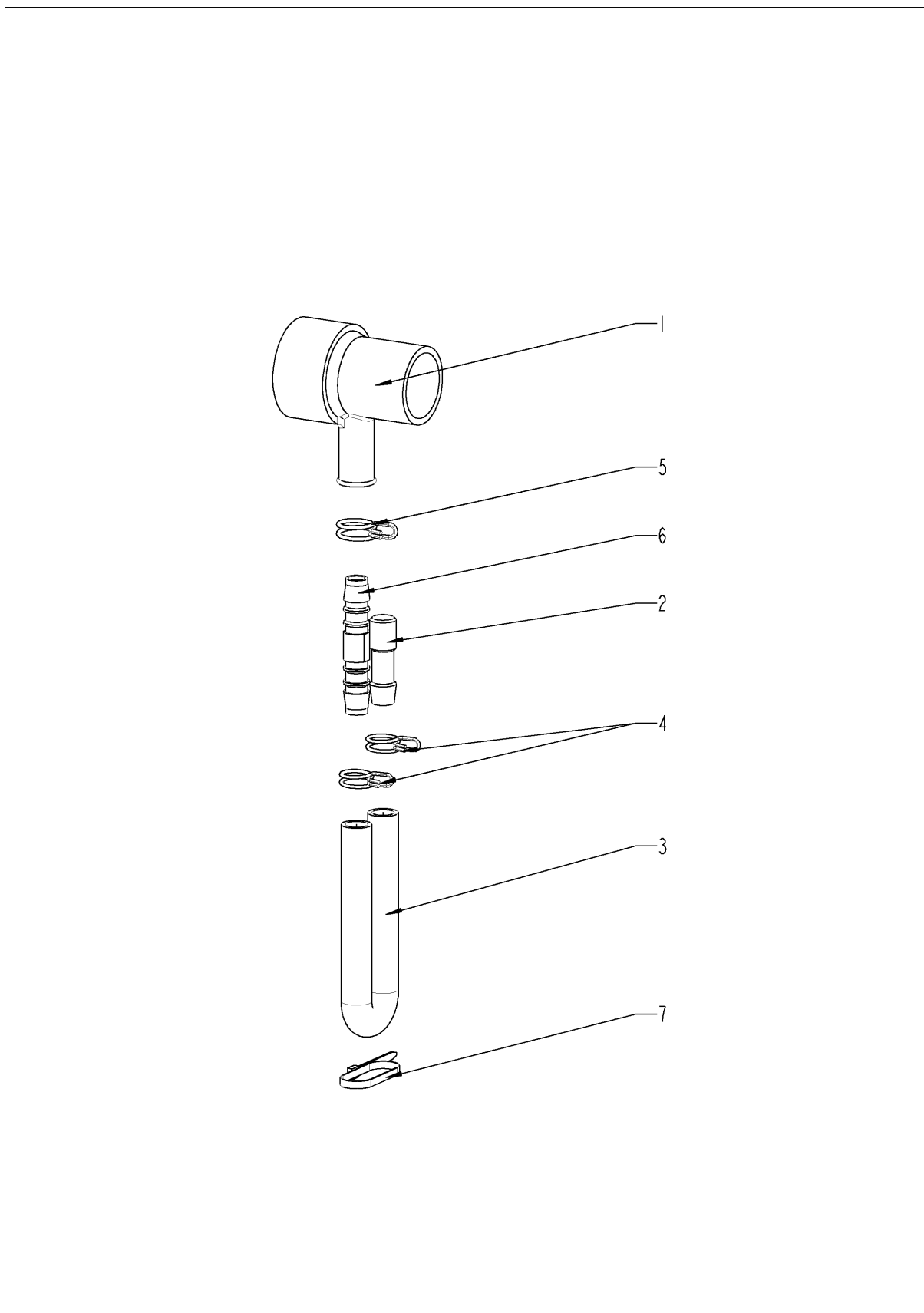
Combi Master 202 - 20 x 2/1 GastronormE

E22MH1112

Steam generator

Pos.	Part No.	Description	Qty.
1	44.00.947	Steam generator insolated	1
2	10.00.709	Hex nut M6 w. locking	2
14	44.01.350	Heating element	1
15	44.01.350	Heating element	1
16	44.01.350	Heating element	1
17	44.00.279	Gasket f. heating element	3
18	10.00.709	Hex nut M6 w. locking	27
19	2066.0519	Hose clamp 35,6mm	1
20	2066.0526	Hose clamp ø46mm	1
21	44.00.207	Emptying pump	1
22	1006.0762	Hex screw M6x10	2
23	1306.0222	Washer A6,4x15x1,5	2
24	44.00.232	Fixing device f. pump steam generator	1
25	10.00.709	Hex nut M6 w. locking	2
26	44.01.224	Drain hose steam generator	1
27	40.04.107	Thermocouple steam generator *B5*	1
29	10.00.414	Cable strap black 120°	1
30	1104.0122	Hex combination nut M4 galv	1
31	44.00.362	Steam hose 70x5	1
32	2066.0516	Hose clamp 60-80 mm	2
34	44.00.280	Gasket f. heating element+Level elektrode insert	1
35	2920.1300	Level elektrode insert	1
36	10.00.709	Hex nut M6 w. locking	4
37	44.01.408	Filling level electrode 90 mm	1
38	44.01.168	Fixing angle steam generator	1
39	44.01.181	Fixing angle steam generator	1
40	44.01.031	Closing cap for steam generator	1
41	10.00.982	Hose clamp D=18.2	1
43	2066.0518	Hose clamp 30mm	2
A	8354.1320	Pump connection spout cpl.	1

Pump connection spout

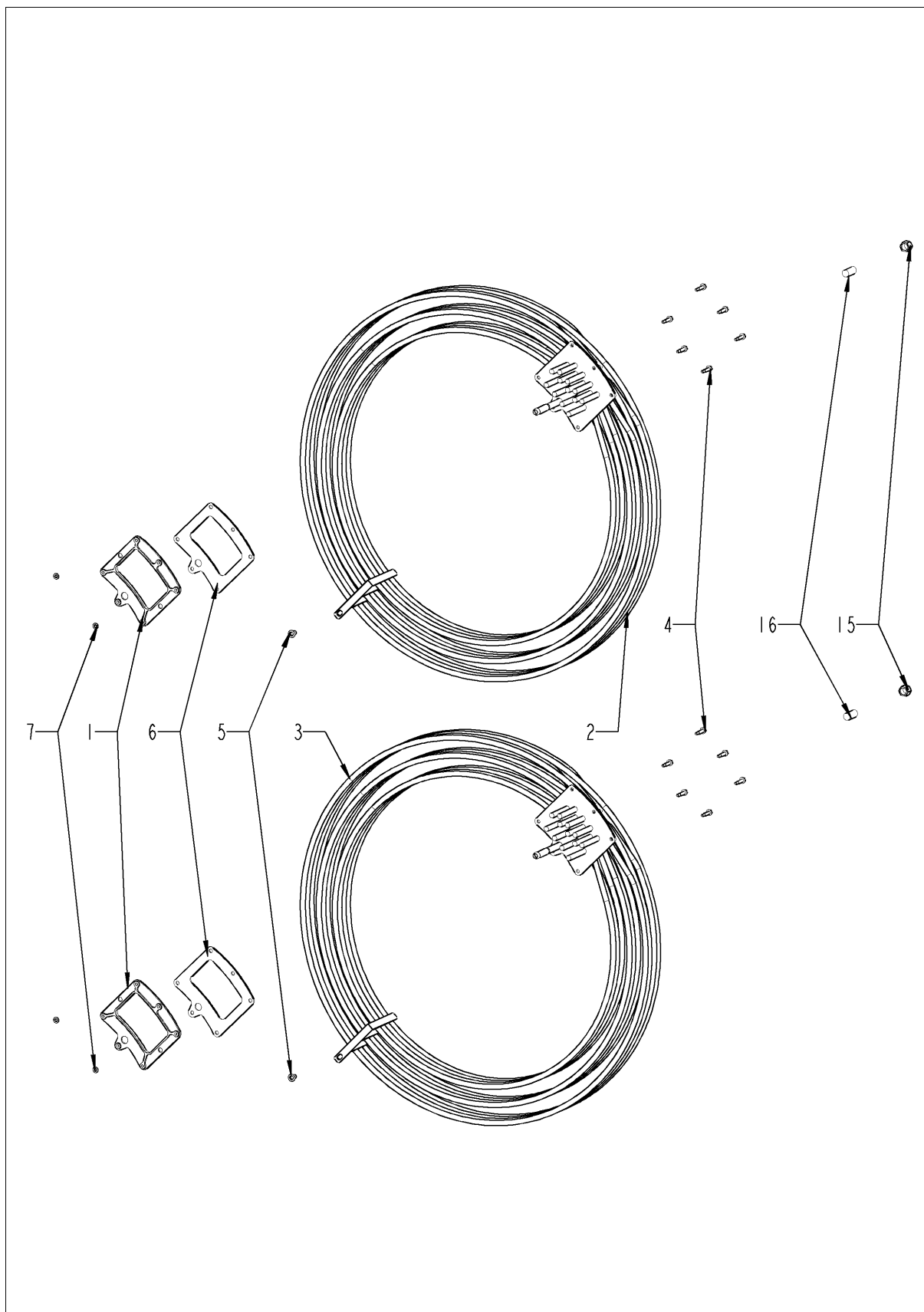


Combi Master 202 - 20 x 2/1 GastronormE
E22MH1112

Pump connection spout

Pos.	Part No.	Description	Qty.
1	2118.1000	Pump connection spout	1
2	2120.1259	Stop plug 10mm	1
3	2110.1008	Silicon hose ø10x2mm	1
4	2066.0527	Hose clamp ø14mm	2
5	2066.0530	Hose clamp ø16.4mm	1
6	2062.0331	Junction pressure hose GS 10	1
7	4005.0101	Tie rap 145 mm	1

Hot air heating

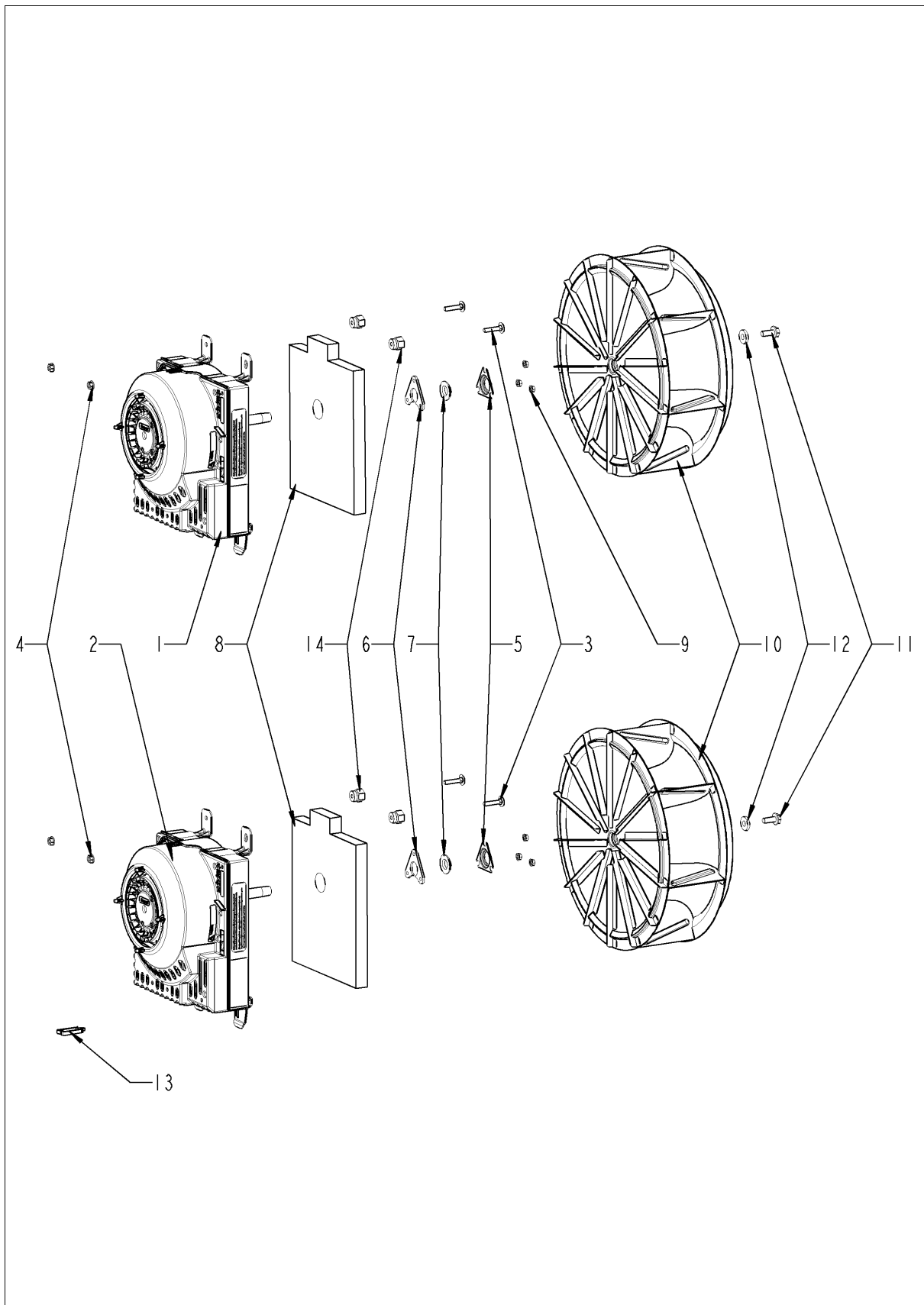


Combi Master 202 - 20 x 2/1 GastronormE
E22MH1112

Hot air heating

Pos.	Part No.	Description	Qty.
1	40.03.413	Mating flange f. heating assembly	2
2	40.03.658	Heating assembly	1
3	40.03.658	Heating assembly	1
4	10.00.109	Hex screw M5x23	12
5	10.01.076	Cap nut M5*A2	2
6	40.03.416	Gasket f. heating assembly	2
7	1107.0103	Star lock ø3	4

Motor and fan wheel

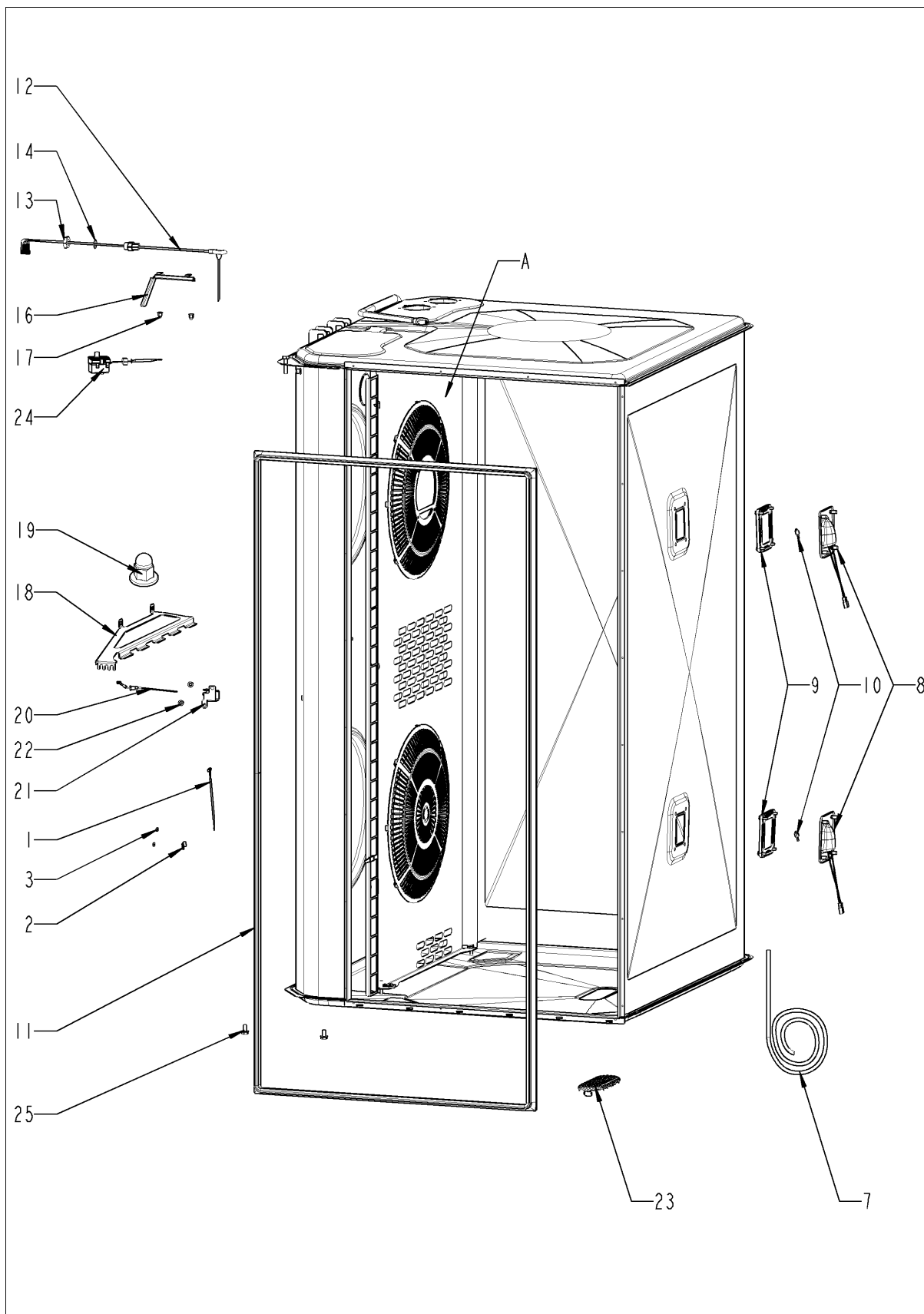


Combi Master 202 - 20 x 2/1 GastronormE
E22MH1112

Motor and fan wheel

Pos.	Part No.	Description	Qty.
1	40.03.513	Fan motor	1
2	40.03.513	Fan motor	1
3	10.01.049	Square necked mushroom head bolt 6x30	8
4	10.00.709	Hex nut M6 w. locking	4
5	22.00.721	Flange f. motor shaft gasket	2
6	22.00.722	Mounting support f. gasket flange	2
7	22.00.083	Motor shaft gasket	2
8	20.01.755	Isolation for mounting plate for motor	2
9	10.01.065	Hex nut M5	6
10	22.00.829	Fan wheel	2
11	10.00.565	Hex screw M8x20	2
12	1308.0162	Washer A8,4	2
13	10.00.111	Cable clip long	3
14	20.01.411	Bushing for motor mounting bar	8

Interior cabinet



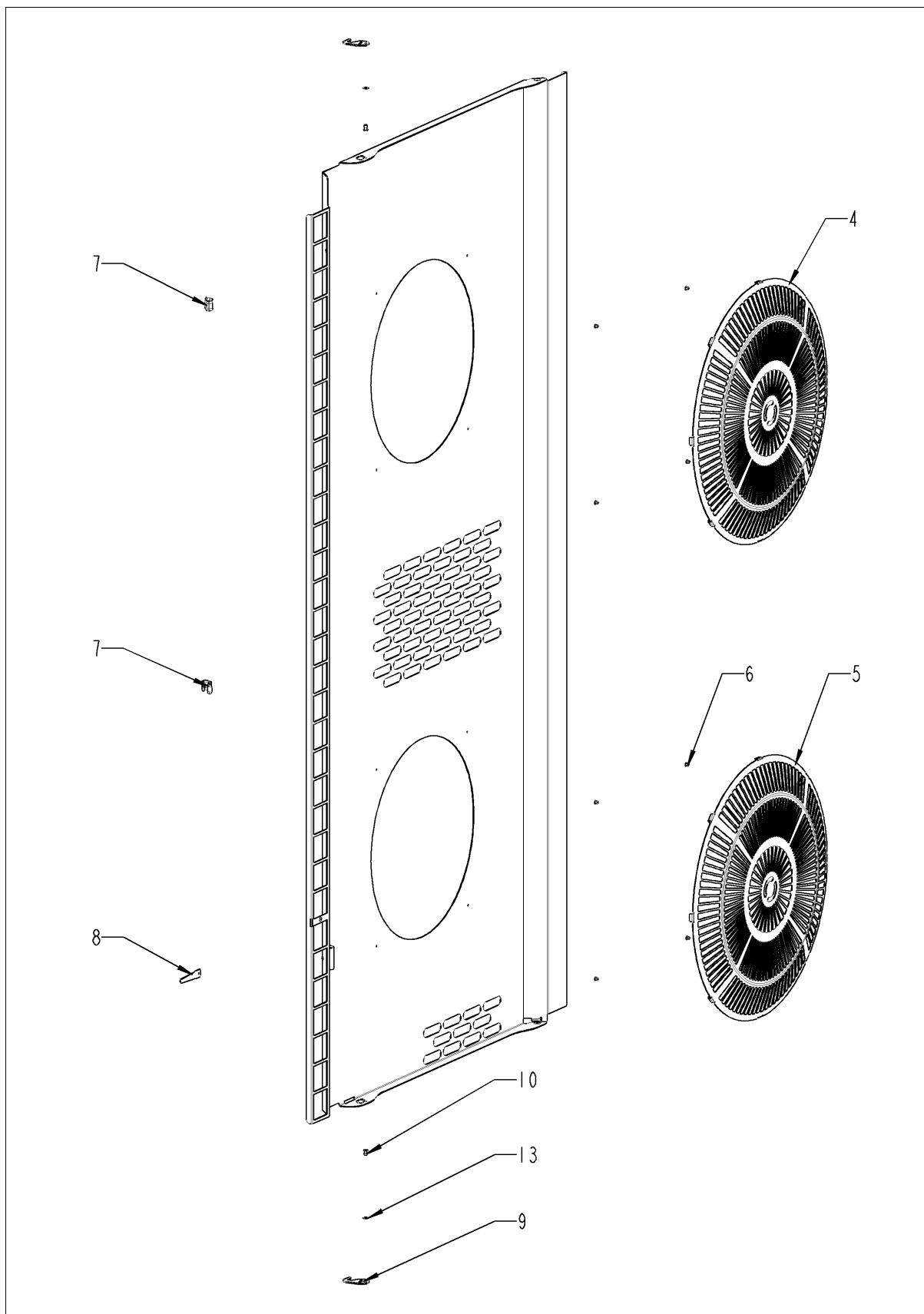
Combi Master 202 - 20 x 2/1 GastronormE

E22MH1112

Interior cabinet

Pos.	Part No.	Description	Qty.
1	40.00.399	Thermocouple humidity	1
2	10.00.087	Clamp strap f. sensor	1
3	10.00.100	Hex nut M4, self-locking	1
7	40.03.532	Wiring interior light	1
8	40.00.098	Reflector f. interior light	2
9	40.00.091	Gasket frame w. glass a. gaskets	2
10	3024.0201	Halogen bulb 300°C	1
10	3024.0201	Halogen bulb 300°C	1
11	20.00.399	Door gasket	1
12	40.04.041	Meat probe sensor	1
13	10.00.612	Hex nut M16 flat	1
14	1315.0104	Copper washer 16x20x1,5	1
16	40.01.317	Screen core temperature sensor	1
17	10.01.076	Cap nut M5*A2	2
18	22.00.780	Air baffle support	1
19	10.01.076	Cap nut M5*A2	4
20	40.03.528	Thermocouple interior cabinet B1	1
21	40.03.782	Screen interior cabinet sensor	1
22	10.01.076	Cap nut M5*A2	2
23	54.01.117	Outlet sieve	1
24	40.01.482	Safety temperature limiter 365°C	1
25	3014.0327	Hex nut M10x1,0	1
A	22.00.930	Air baffle	1

Air baffle

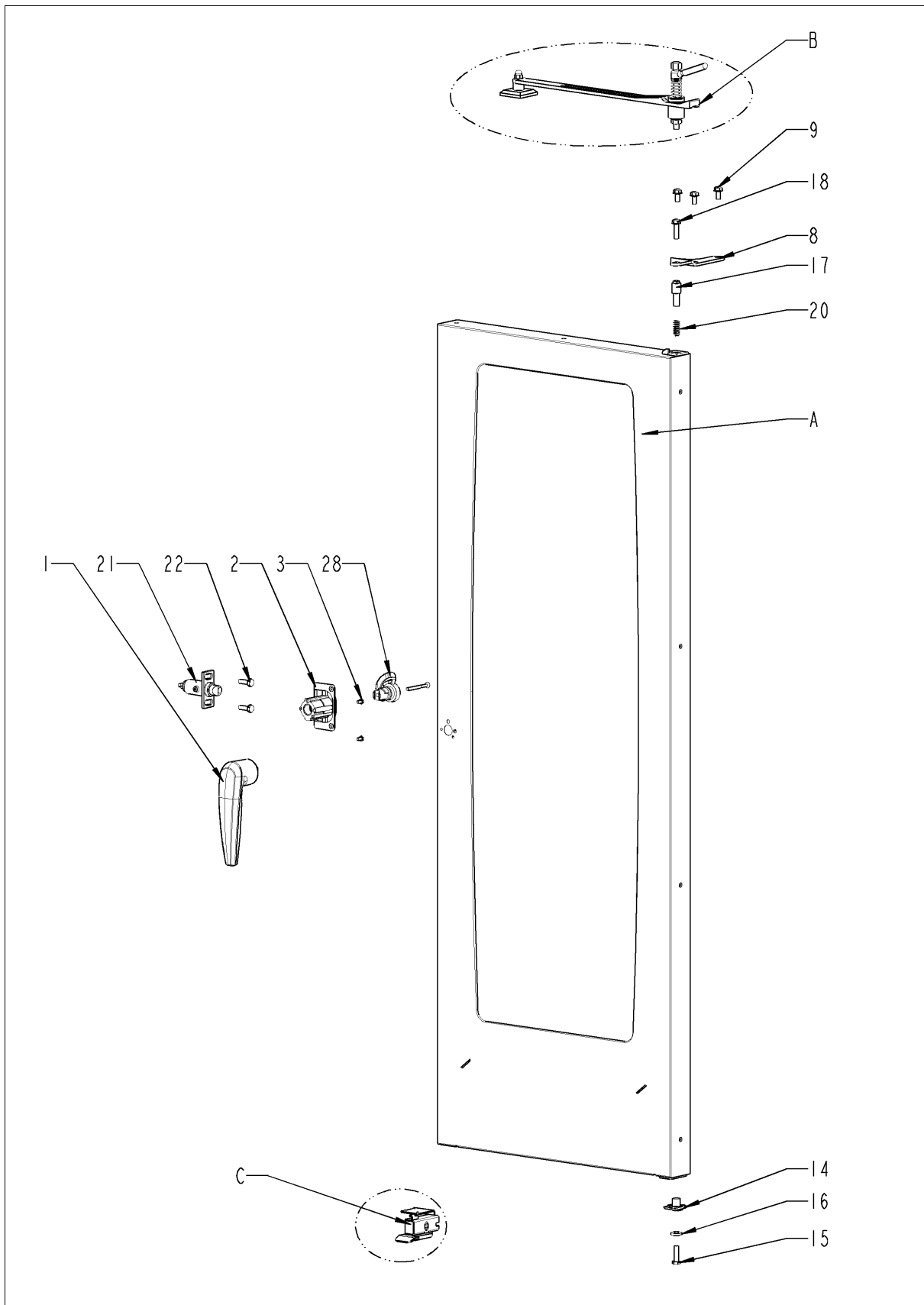


Combi Master 202 - 20 x 2/1 GastronormE
E22MH1112

Air baffle

Pos.	Part No.	Description	Qty.
4	22.00.734	Hand protection	1
5	22.00.734	Hand protection	1
6	10.00.515	Rivet 3,2x5 A4	8
7	40.03.780	Fixing clip core temp. cable	3
8	22.00.491	Surge guard for Meat probe sensor	1
9	2760.1370	Latch hook for air baffle	2
10	1604.0167	Rivet 4x10	3
13	10.00.744	Washer A4,3 *A4	1

Door



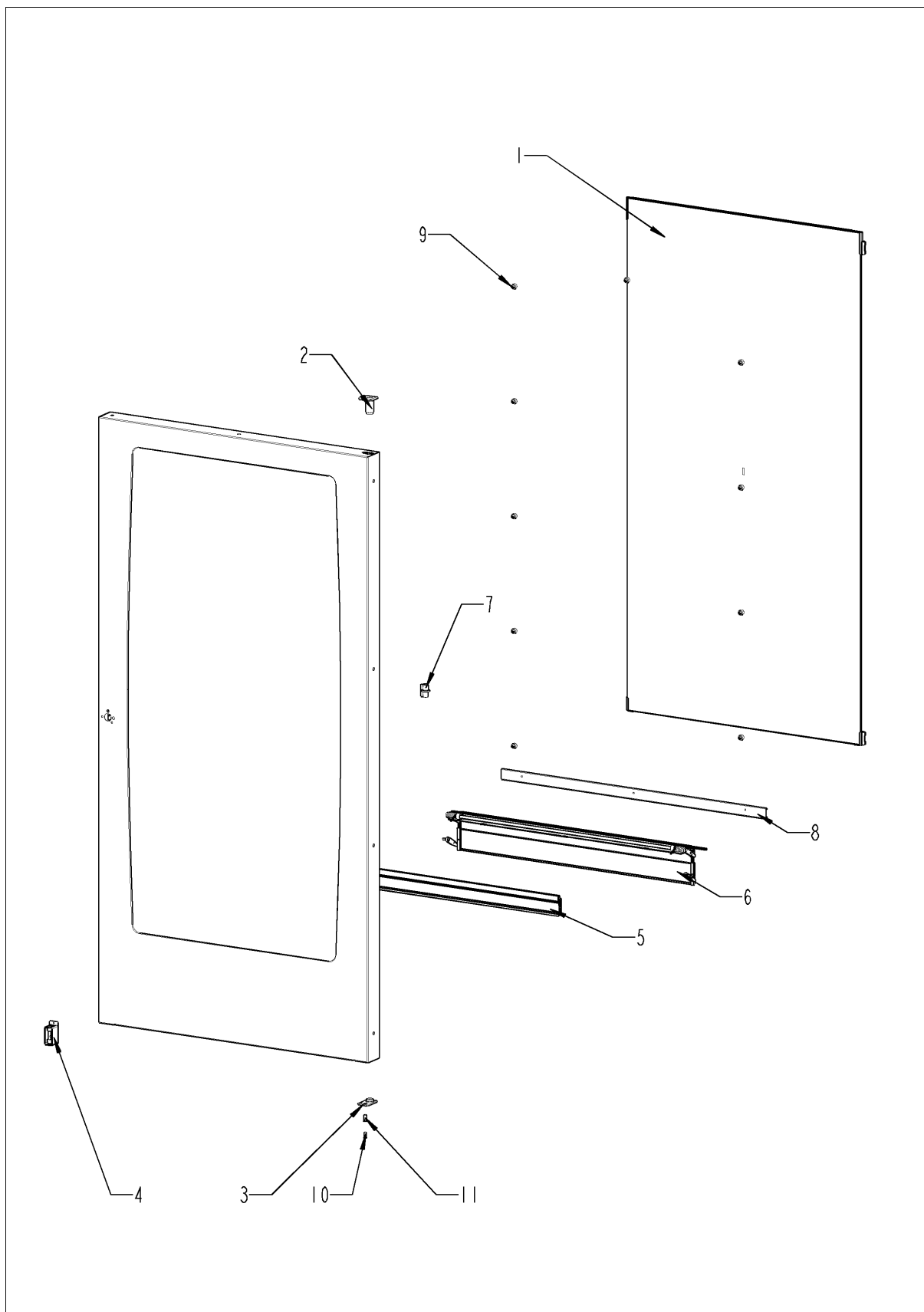
Combi Master 202 - 20 x 2/1 GastronormE

E22MH1112

Door

Pos.	Part No.	Description	Qty.
1	24.00.143	Door handle OEM black grey	1
2	24.01.350	Door lock	1
3	10.00.697	Hex screw M5x10 w. precoat 85	2
4	1305.0160	Washer A5,3x10mm	2
5	10.00.090	Cap f. Torx T30	1
7	10.00.696	Allen screw M4x6 w. Precoat 85	2
8	24.00.133	Door mounting support top	1
9	1008.0768	Ornamental screw M8x16	3
14	24.00.145	Door bolt	1
15	1008.0766	Hex screw M8x30	1
16	1308.0162	Washer A8,4	1
17	24.00.048	Door bolt	1
18	1008.0769	Ornamental screw M8x30	1
20	2001.0109	Compression spring	1
21	24.01.351	Door catch	1
22	1008.0761	Hex screw M8x25	2
28	87.00.540	Door bolt cpl.	1
A	24.00.126	Door	1

Door



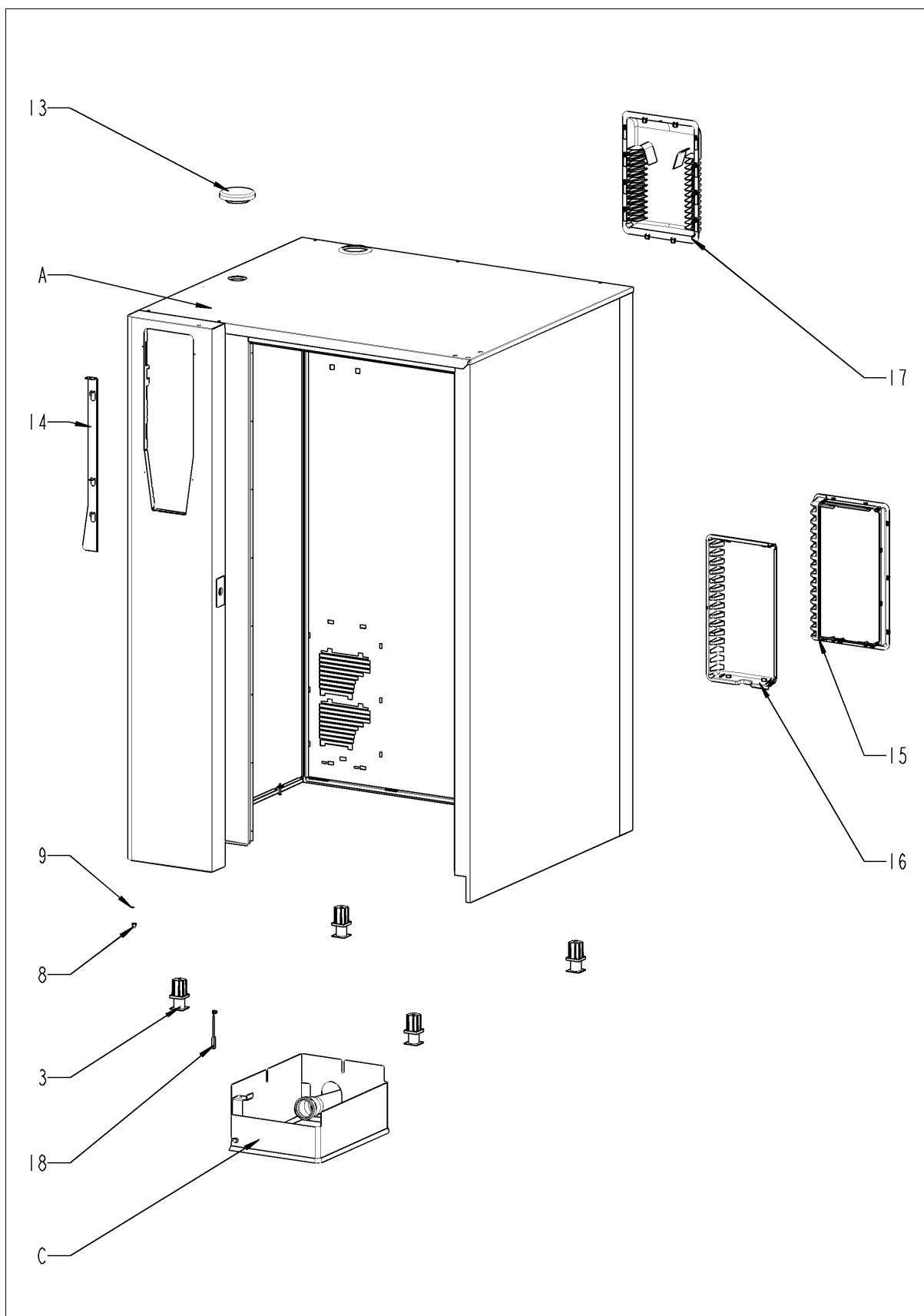
Combi Master 202 - 20 x 2/1 GastronormE

E22MH1112

Door

Pos.	Part No.	Description	Qty.
1	24.00.212	Inner glass pane	1
2	24.00.147	Sleeve for door bolt top	1
3	24.00.159	Door setting bolt	1
4	24.01.346	Fixing device f. magnet with magnet, adjustable	1
5	24.00.194	Gasket glass pane/trolley	1
6	24.00.178	Pre heat mechanism f. door cpl.	1
7	24.00.507	Fixing device middle f.inter. glass pane	1
8	24.00.701	Additional gasket f. trolley	1
9	24.01.259	Plastic buffer 8,1mm for door	1
10	1005.1966	Countersunk screw Torx M5x16	2
11	10.00.041	Rivet nut M5 hexagon closed	2

Exterior cabinet

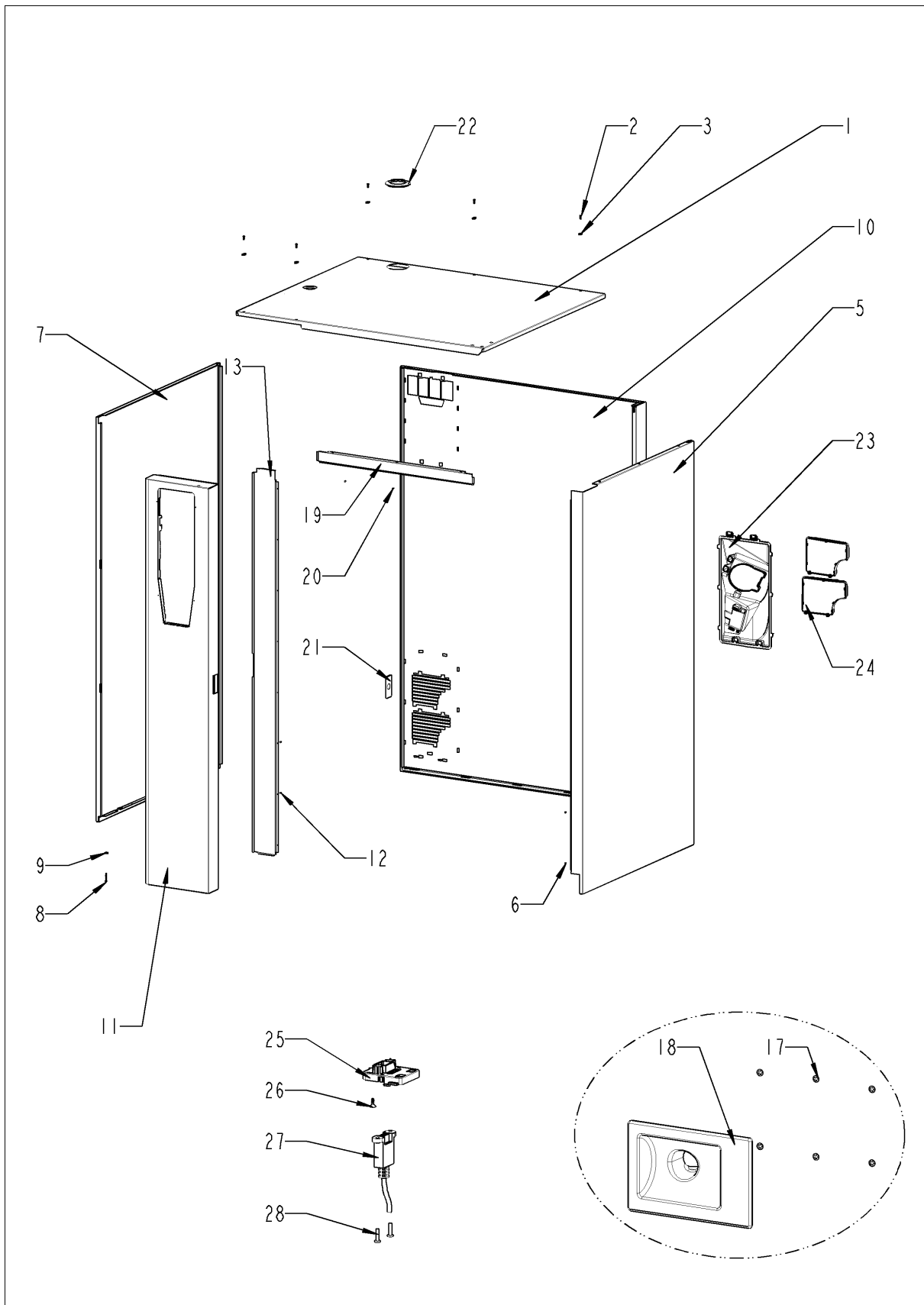


Combi Master 202 - 20 x 2/1 GastronormE E22MH1112

Exterior cabinet

Pos.	Part No.	Description	Qty.
3	2039.0111	Foot adjustable, metal, 40 x 40	4
8	10.00.745	Cap nut M6*A2	1
9	1206.0120	Tooth lock washer A6,4	1
13	22.00.767	Vent cover	1
14	16.01.965	Opening mechanism for panel insert	1
15	40.03.385	Frame for air inlet filter	1
16	40.03.392	Cover for air inlet filter	1
17	40.03.366	Cover air outlet	1
18	40.00.454	Door switch 1.65m	1
A		Exterior cabinet	1
C	12.01.142	NSF housing floor units 201-202	1

Exterior cabinet



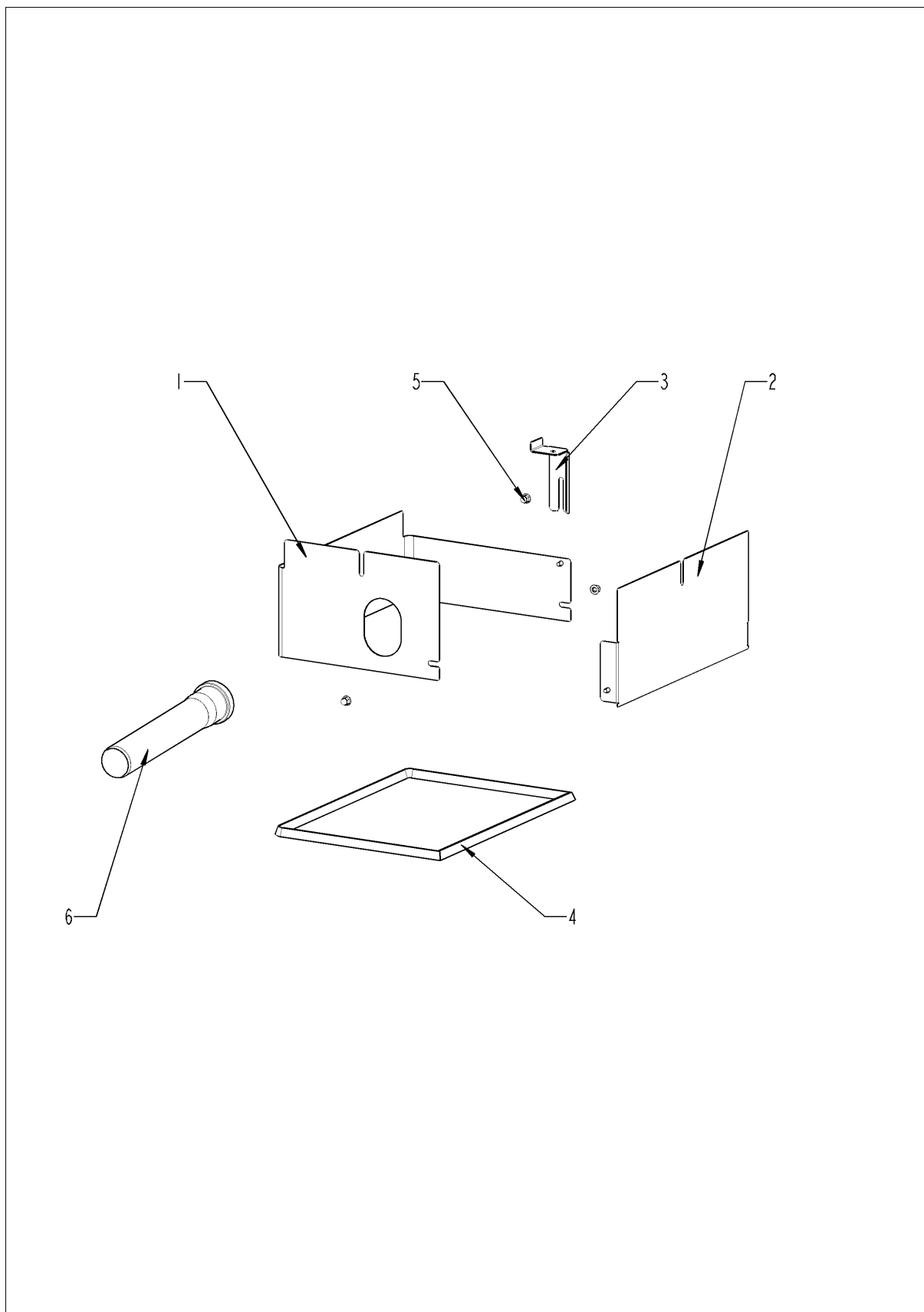
Combi Master 202 - 20 x 2/1 GastronormE

E22MH1112

Exterior cabinet

Pos.	Part No.	Description	Qty.
1	16.02.167	Top cover	1
2	1003.2265	Countersunk self tapping screw 4,2x16	5
3	1104.0820	Snap nut 4,2mm	5
5	16.00.158	Side panel right	1
6	1603.0166	Rivet 3,2x7,9 CNS closed	8
7	16.00.139	Side panel left	1
8	10.00.992	Hex self tapping screw B4,2x32	2
9	1104.0820	Snap nut 4,2mm	2
10	16.01.842	Back panel	1
11	16.01.839	Front panel	1
12	1603.0166	Rivet 3,2x7,9 CNS closed	8
13	16.00.358	Crossbar front panel	1
14	10.00.745	Cap nut M6*A2	2
17	1107.0100	Star lock ø4	8
18	16.01.941	Tulip for handshower with gasket	1
19	16.00.331	Crossbar top	1
20	1603.0166	Rivet 3,2x7,9 CNS closed	4
21	24.02.263	Cover for door latch	1
22	16.01.579	Gasket f. breather tube d=79mm	1
23	40.03.262	Fan housing	1
24	40.02.684	Air inlet filter cpl.	2
25	16.00.329	Cover f. USB interface	1
26	10.00.103	EJOT PT-screw KA 3.5x10	1
27	40.04.047	Interface cable USB 1.6m	1
28	10.00.460	EJOT PT-Screw Torx 3,5x14	2

NSF housing floor units 201-202

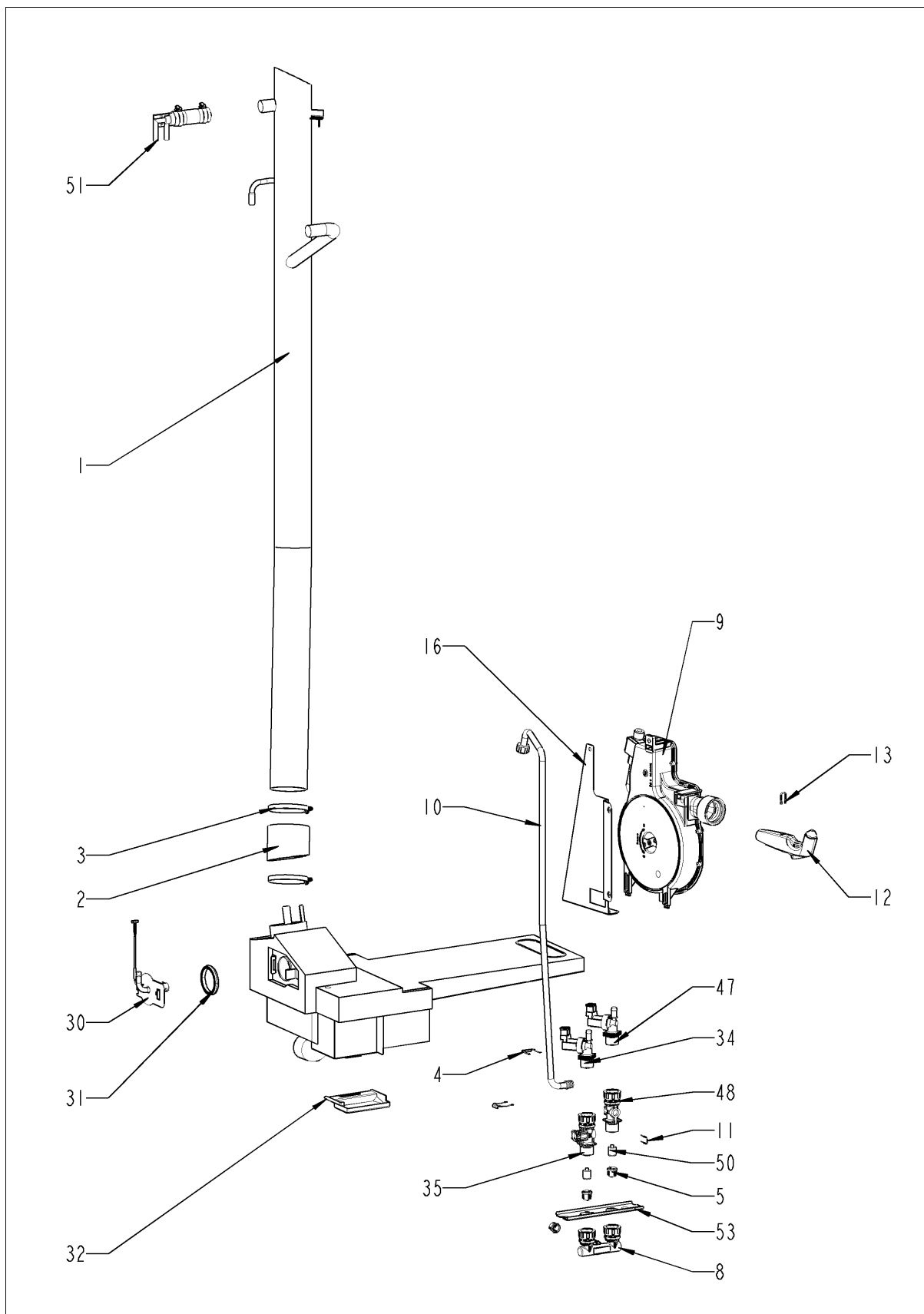


Combi Master 202 - 20 x 2/1 GastronormE
E22MH1112

NSF housing floor units 201-202

Pos.	Part No.	Description	Qty.
1	12.01.153	NSF housing right floor units 201-202	1
2	12.01.154	NSF housing left floor units 201-202	1
3	12.01.151	Fixing angle NSF housing floor units 201-202	1
4	12.01.140	Gasket NSF housing floor units 201-202	1
5	10.00.745	Cap nut M6*A2	3
6	2070.0054	HT pipe, DN 50, 250 mm	1

Water



Combi Master 202 - 20 x 2/1 GastronormE

E22MH1112

Water

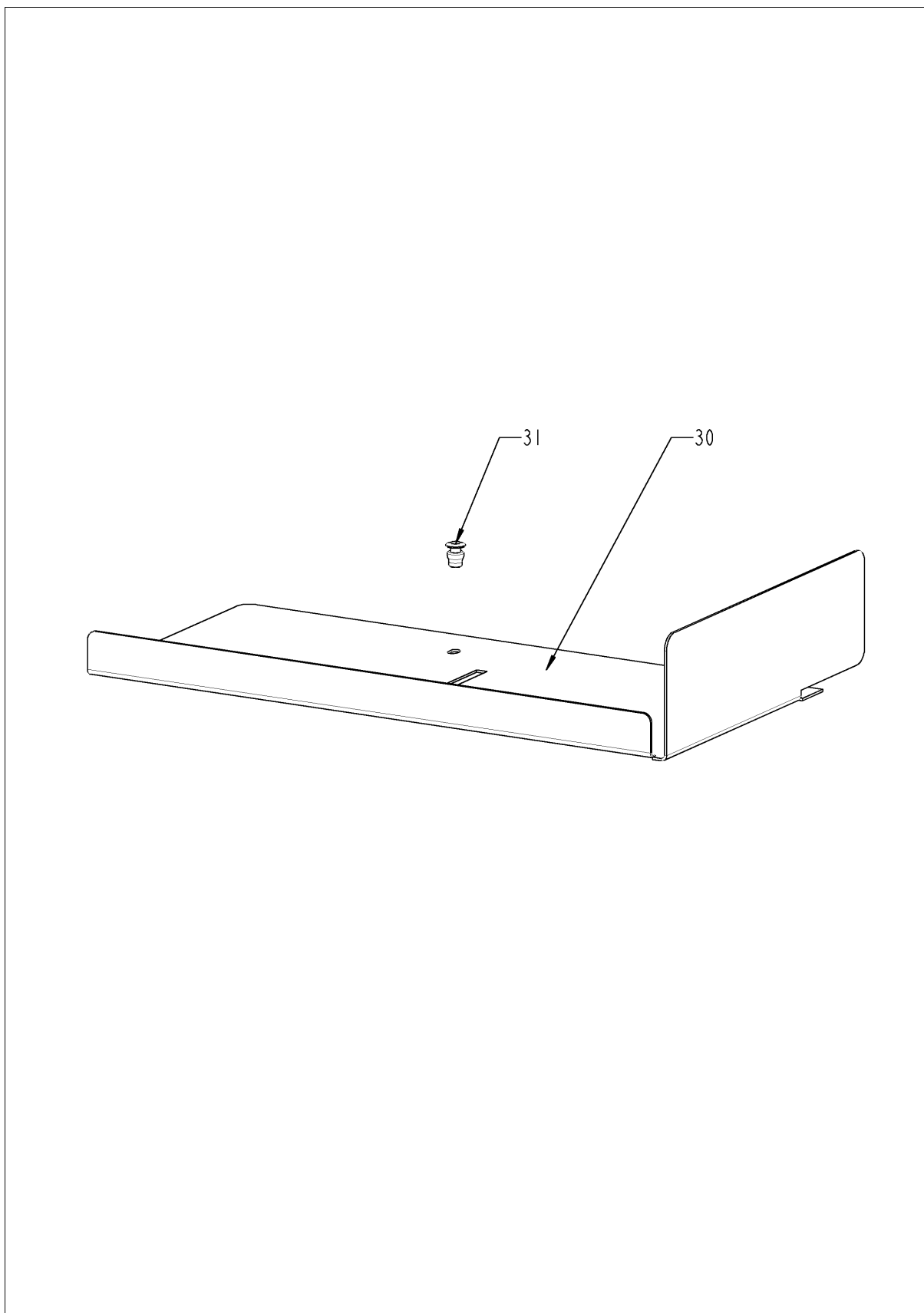
Pos.	Part No.	Description	Qty.
1	54.00.984	Ventilation pipe	1
2	54.01.045	Hose 76x5mm	1
3	2066.0505	Hose clamp 70-90mm	2
6	2066.0205	Hose clamp 8-16x9 mm SW 7mm	1
8	8664.1301	T-fitting water connection	1
9	50.00.176	Hand shower roll guide	1
10	50.01.373	Connect. pipe f. hand shower roll guide	1
10	50.01.213	Connect. pipe f. hand shower roll guide	1
11	50.00.085	Plug-in spring f. hand shower roll guide	1
12	50.00.282	Hand shower black	1
13	50.00.156	Clamp f. hand shower roll guide	1
16	50.00.278	Mounting device f. hand sh. roll guide	1
17	1106.0803	Hex combination nut M6 galv	1
18	1006.0760	Hex screw M6x16	1
19	1306.0222	Washer A6,4x15x1,5	1
20	50.00.548	Hose ø10x2x500 f. hand shower	1
21	2066.0527	Hose clamp ø14mm	1
22	10.00.661	Edge protection profile	1
23	10.00.099	Hex screw M8x12	2
24	1308.0160	Washer A8,4	2
30	54.01.254	Inspection lid, quenching nozzle, B2	1
31	54.01.168	Gasket f. inspection lid quenching	1
32	54.01.191	Collecting pan	1
33	10.00.745	Cap nut M6*A2	1
34	50.01.147	Single solenoid valve	1
35	50.00.072	Water distribution vert roll guide con.	1
38	2067.0050	Pressure hose d10mm	2.08
39	2067.0050	Pressure hose d10mm	.91
47	50.01.146	Single solenoid valve	1
48	50.00.073	Water distribution vert w/o roll guide con.	1
49	2067.0050	Pressure hose d10mm	1.34
50	50.00.078	Non return valve DW16/DN12	2
51	8354.1304	Venting valve for steam generator	1
52	1900.0202	Water filter	3
53	50.01.543	Mounting device f. water distribution	1
54	50.00.086	Locking plate f. water distribution	2

Combi Master 202 - 20 x 2/1 GastronormE
E22MH1112

Water

Pos.	Part No.	Description	Qty.
55	2022.0101	Grommet d8mm	1
56	10.00.991	Sealing cap	1

CleanJet + Care

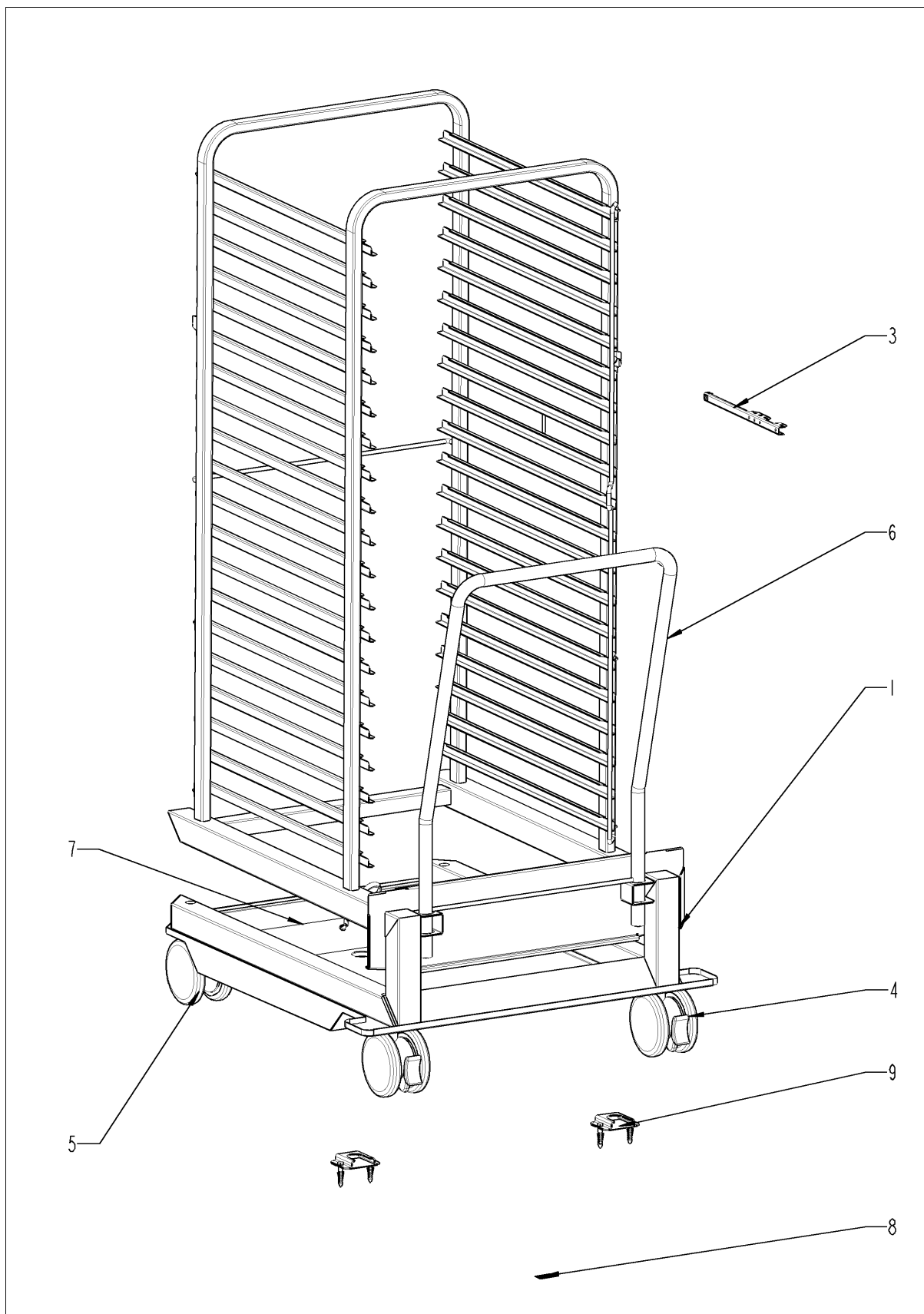


Combi Master 202 - 20 x 2/1 GastronormE
E22MH1112

CleanJet + Care

Pos.	Part No.	Description	Qty.
30	12.00.229	Cover for CleanJet pump opening	1
31	1603.0166	Rivet 3,2x7,9 CNS closed	2

Standard accessory



Combi Master 202 - 20 x 2/1 GastronormE E22MH1112

Standard accessory

Pos.	Part No.	Description	Qty.
1	60.22.086V	Mobile oven rack type 202	1
4	60.60.100	Castor with brake ø125mm	1
5	60.60.101	Castor without brake ø125mm	1
6	60.22.072	Handle for mobile oven rack	1
7	60.22.223	Drip collector	1
8	10.01.195	Sticker set	1
9	8700.0317	Floor fixing for units	1
11	60.72.406	Holder for handle mobile oven rack Type 202	1

Combi Master 202 - 20 x 2/1 GastronormE

E22MH1112

Index

Part-no.	Description	Page
24.00.701	Additional gasket f. trolley	27
22.00.930	Air baffle	21
22.00.780	Air baffle support	21
40.02.684	Air inlet filter cpl.	31
22.00.916	Air inlet pipe	11
10.00.696	Allen screw M4x6 w. Precoat 85	25
40.02.798	Auxilliary contact B&J HKA11 N/O-N/C	9
16.01.842	Back panel	31
40.03.999	Bus cable 1.5m	7
40.03.998	Bus cable 1.15m	7
20.01.411	Bushing for motor mounting bar	19
40.04.048	Buzzer	7
10.00.111	Cable clip long	11, 19
40.03.487	Cable contactor-SSR	9
40.03.816	Cable control harness	9
10.00.414	Cable strap black 120°	13
10.00.090	Cap f. Torx T30	25
10.01.076	Cap nut M5*A2	17, 21
10.00.745	Cap nut M6*A2	29, 31, 33, 35
60.60.100	Castor with brake ø125mm	41
60.60.101	Castor without brake ø125mm	41
50.00.156	Clamp f. hand shower roll guide	35
10.00.087	Clamp strap f. sensor	21
44.01.031	Closing cap for steam generator	13
54.01.191	Collecting pan	35
2001.0109	Compression spring	25
50.01.373	Connect. pipe f. hand shower roll guide	35
50.01.213	Connect. pipe f. hand shower roll guide	35
40.02.696	Contact assembly	9
40.04.008	Contact B&J K3-176A00 230	9
87.01.104	Control panel insert with overlay *FU*	5
42.00.161	Control pcb	5

Combi Master 202 - 20 x 2/1 GastronormE

E22MH1112

Index

Part-no.	Description	Page
40.03.348	Control transformer T1	9
40.03.985	Cooling fan	7
40.03.425	Cooling fan	7
1315.0104	Copper washer 16x20x1,5	21
1005.1966	Countersunk screw Torx M5x16	27
1003.2265	Countersunk self tapping screw 4,2x16	31
40.03.366	Cover air outlet	29
16.00.329	Cover f. USB interface	31
40.03.392	Cover for air inlet filter	29
12.00.229	Cover for CleanJet pump opening	39
24.02.263	Cover for door latch	31
16.00.358	Crossbar front panel	31
16.00.331	Crossbar top	31
16.00.822	Dial OEM, black-grey	5
5110.1027	Distance plate for front panel	5
24.00.126	Door	25
24.00.145	Door bolt	25
24.00.048	Door bolt	25
87.00.540	Door bolt cpl.	25
24.01.351	Door catch	25
20.00.399	Door gasket	21
24.00.143	Door handle OEM black grey	25
24.01.350	Door lock	25
24.00.133	Door mounting support top	25
24.00.159	Door setting bolt	27
40.00.454	Door switch 1.65m	29
22.00.958	Drain hose for humidity control	11
44.01.224	Drain hose steam generator	13
60.22.223	Drip collector	41
40.01.329	Dry up protector 183°	9
40.01.610	Earth terminal 20 WKN 70SL/U	9
40.03.728	Earth terminal WKN 16SL/U	9

Combi Master 202 - 20 x 2/1 GastronormE

E22MH1112

Index

Part-no.	Description	Page
10.00.661	Edge protection profile	35
10.00.103	EJOT PT-screw KA 3.5x10	31
10.00.460	EJOT PT-Screw Torx 3,5x14	31
44.00.207	Emptying pump	13
4001.1203	End plate for mounting rail	9
40.03.262	Fan housing	31
40.03.513	Fan motor	19
22.00.829	Fan wheel	19
44.01.408	Filling level electrode 90 mm	13
12.01.151	Fixing angle NSF housing floor units 201-202	33
44.01.168	Fixing angle steam generator	13
44.01.181	Fixing angle steam generator	13
40.03.780	Fixing clip core temp. cable	23
24.01.346	Fixing device f. magnet with magnet, adjustable	27
44.00.232	Fixing device f. pump steam generator	13
24.00.507	Fixing device middle f.inter. glass pane	27
22.00.721	Flange f. motor shaft gasket	19
8700.0317	Floor fixing for units	41
2039.0111	Foot adjustable, metal, 40 x 40	29
40.03.385	Frame for air inlet filter	29
16.01.839	Front panel	31
4001.0224	Fuse 6.35x32mm	9
40.02.512	Fuse holder 2x6.3A	9
40.01.491	Fuse holder block neozed 3ph 63 A	9
3019.0405	Fuse neozed 63A	9
16.01.579	Gasket f. breather tube d=79mm	31
40.03.416	Gasket f. heating assembly	17
44.00.279	Gasket f. heating element	13
44.00.280	Gasket f. heating element+Level electrode insert	13
22.00.881	Gasket f. hum. meas. Pipe	11
54.01.168	Gasket f. inspection lid quenching	35
40.00.091	Gasket frame w. glass a. gaskets	21

Combi Master 202 - 20 x 2/1 GastronormE

E22MH1112

Index

Part-no.	Description	Page
24.00.194	Gasket glass pane/trolley	27
5110.1029	Gasket mode switch	5
12.01.140	Gasket NSF housing floor units 201-202	33
2022.0101	Grommet d8mm	37
3024.0201	Halogen bulb 300°C	21
22.00.734	Hand protection	23
50.00.282	Hand shower black	35
50.00.176	Hand shower roll guide	35
60.22.072	Handle for mobile oven rack	41
40.03.537	Heat sink 3 SSR	7
40.03.658	Heating assembly	17
44.01.350	Heating element	13
1104.0122	Hex combination nut M4 galv	11, 13
1106.0803	Hex combination nut M6 galv	35
10.00.100	Hex nut M4, self-locking	21
10.01.065	Hex nut M5	9, 19
10.00.709	Hex nut M6 w. locking	9, 13, 19
3014.0302	Hex nut M10 for dry-up protector	9
3014.0327	Hex nut M10x1,0	9, 21
10.00.612	Hex nut M16 flat	21
10.00.697	Hex screw M5x10 w. precoat 85	25
10.00.109	Hex screw M5x23	17
1006.0762	Hex screw M6x10	13
1006.0760	Hex screw M6x16	35
10.00.099	Hex screw M8x12	35
10.00.565	Hex screw M8x20	19
1008.0761	Hex screw M8x25	25
1008.0766	Hex screw M8x30	25
10.00.992	Hex self tapping screw B4,2x32	31
60.72.406	Holder for handle mobile oven rack Type 202	41
54.01.045	Hose 76x5mm	35
2066.0205	Hose clamp 8-16x9 mm SW 7mm	35

Combi Master 202 - 20 x 2/1 GastronormE

E22MH1112

Index

Part-no.	Description	Page
2066.0518	Hose clamp 30mm	13
2066.0519	Hose clamp 35,6mm	13
2066.0516	Hose clamp 60-80 mm	13
2066.0505	Hose clamp 70-90mm	35
10.00.982	Hose clamp D=18.2	13
2066.0527	Hose clamp ø14mm	11, 15, 35
2066.0530	Hose clamp ø16.4mm	15
2066.0526	Hose clamp ø46mm	13
22.00.525	Hose set f. humidity control	11
50.00.548	Hose ø10x2x500 f. hand shower	35
2070.0054	HT pipe, DN 50, 250 mm	33
22.00.725	Humidity control cpl.	11
24.00.212	Inner glass pane	27
22.00.908	Inner humidity meas. Piece	11
54.01.254	Inspection lid, quenching nozzle, B2	35
40.03.947	Installation rail for Contactor	9
40.04.047	Interface cable USB 1.6m	31
20.01.755	Isolation for mounting plate for motor	19
2062.0331	Junction pressure hose GS 10	15
2760.1370	Latch hook for air baffle	23
2920.1300	Level elektrode insert	13
50.00.086	Locking plate f. water distribution	35
40.03.413	Mating flange f. heating assembly	17
40.04.041	Meat probe sensor	21
4007.0620	Membrane DGC 29	9
4007.0621	Membrane DGC 36	9
60.22.086V	Mobile oven rack type 202	41
22.00.083	Motor shaft gasket	19
50.00.278	Mounting device f. hand sh. roll guide	35
22.00.882	Mounting device f. pressure sensor	11
50.01.543	Mounting device f. water distribution	35
40.03.393	Mounting device heat sink SSR	7

Combi Master 202 - 20 x 2/1 GastronormE

E22MH1112

Index

Part-no.	Description	Page
22.00.722	Mounting support f. gasket flange	19
40.03.524	Mounting support for fuse holder	9
40.03.759	Mounting support transformer	9
50.00.078	Non return valve DW16/DN12	35
12.01.142	NSF housing floor units 201-202	29
12.01.154	NSF housing left floor units 201-202	33
12.01.153	NSF housing right floor units 201-202	33
22.00.837	O-ring for humidity control	11
16.01.965	Opening mechanism for panel insert	29
1008.0768	Ornamental screw M8x16	25
1008.0769	Ornamental screw M8x30	25
22.00.850	Outer humidity meas. Piece	11
54.01.117	Outlet sieve	21
10.00.507	Pan head screw Torx 5/16" T20	7
10.00.365	Pan head screw Torx M3x20	9
10.00.061	Pan head screw Torx T20 M4x12	7, 9
10.00.564	Pan head screw Torx T20 M4x45	7
24.01.259	Plastic buffer 8,1mm for door	27
50.00.085	Plug-in spring f. hand shower roll guide	35
40.00.464	Potentiometer CT	5
24.00.178	Pre heat mechanism f. door cpl.	27
2067.0050	Pressure hose d10mm	35
3017.1011	Pressure sensor for humidity control Huba 401	11
2005.0106	Protective grid for cooling fan	7
2118.1000	Pump connection spout	15
8354.1320	Pump connection spout cpl.	13
10.00.066	Raised countersunk head screw Torx T20 M4x16	9
40.00.098	Reflector f. interior light	21
10.00.515	Rivet 3,2x5 A4	23
1603.0166	Rivet 3,2x7,9 CNS closed	31, 39
1604.0167	Rivet 4x10	23
10.00.041	Rivet nut M5 hexagon closed	27

Combi Master 202 - 20 x 2/1 GastronormE

E22MH1112

Index

Part-no.	Description	Page
40.01.482	Safety temperature limiter 365°C	9, 21
40.01.317	Screen core temperature sensor	21
40.03.782	Screen interior cabinet sensor	21
4001.1235	Screw cap e neozed 63A	9
10.00.991	Sealing cap	37
16.01.908	Sealing f. panel insert	5
16.00.139	Side panel left	31
16.00.158	Side panel right	31
2110.1008	Silicon hose ø10x2mm	15
50.01.147	Single solenoid valve	35
50.01.146	Single solenoid valve	35
24.00.147	Sleeve for door bolt top	27
1104.0820	Snap nut 4,2mm	31
40.00.453	Solid state relais	7
10.01.049	Square necked mushroom head bolt 6x30	19
1107.0103	Star lock ø3	17
1107.0100	Star lock ø4	31
44.00.947	Steam generator insolated	13
44.00.362	Steam hose 70x5	13
10.01.195	Sticker set	41
2120.1259	Stop plug 10mm	15
22.00.491	Surge guard for Meat probe sensor	23
8664.1301	T-fitting water connection	35
40.01.611	Terminal block grey WKN 70/U	9
40.01.609	Terminal block grey WKN 150/U	9
40.00.399	Thermocouple humidity	21
40.03.528	Thermocouple interior cabinet B1	21
40.04.107	Thermocouple steam generator *B5*	13
4005.0101	Tie rap 145 mm	15
1204.0120	Tooth lock washer A4,3	7
1206.0120	Tooth lock washer A6,4	29
16.02.167	Top cover	31

Combi Master 202 - 20 x 2/1 GastronormE

E22MH1112

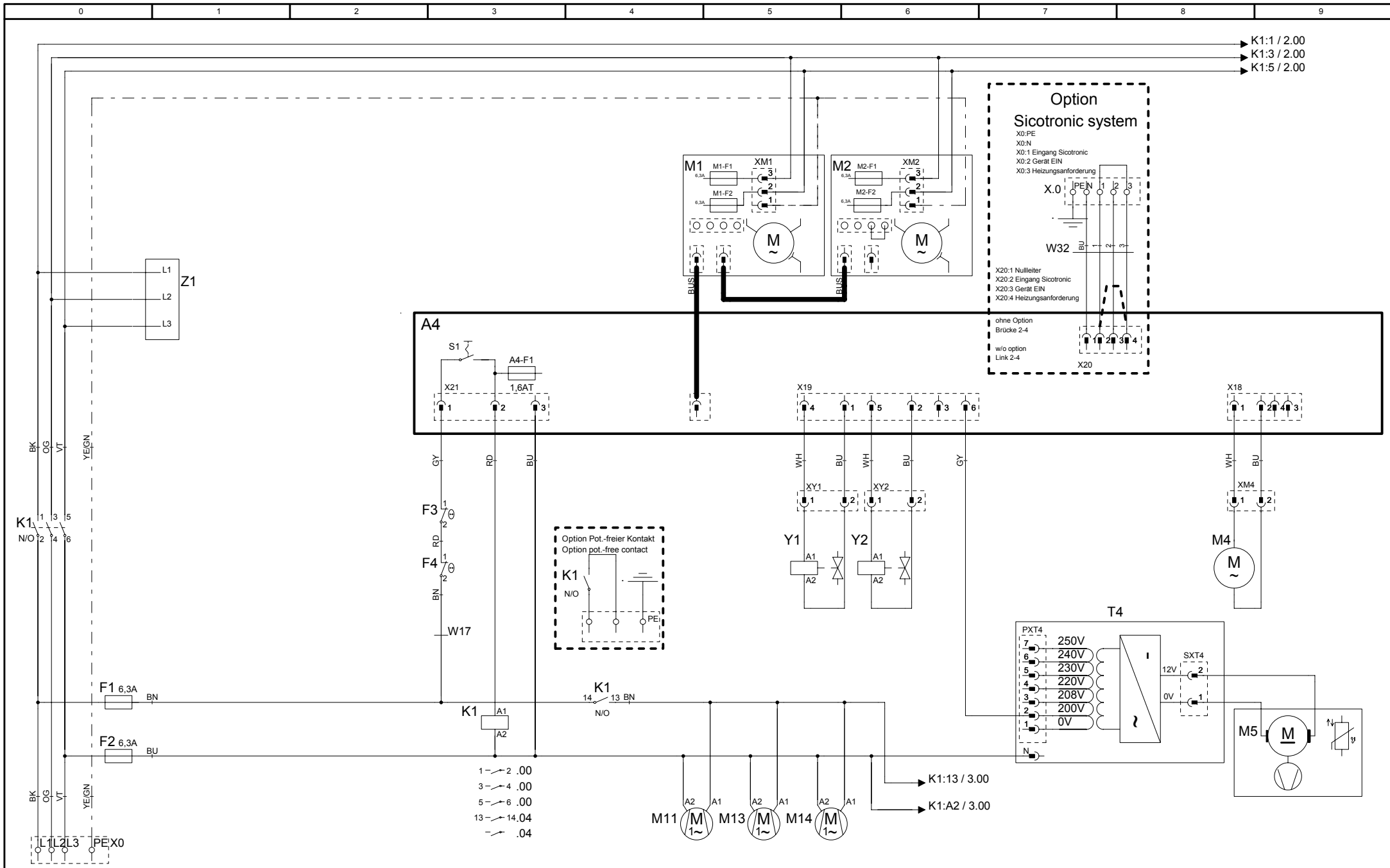
Index

Part-no.	Description	Page
40.03.984	Transformer f. cooling fan	7
16.01.941	Tulip for handshower with gasket	31
40.02.425	Varistor	9
22.00.767	Vent cover	11, 29
54.00.984	Ventilation pipe	35
8354.1304	Venting valve for steam generator	35
10.00.744	Washer A4,3 *A4	9, 23
1305.0160	Washer A5,3x10mm	25
1306.0222	Washer A6,4x15x1,5	13, 35
1308.0162	Washer A8,4	19, 25
1308.0160	Washer A8,4	35
50.00.072	Water distribution vert roll guide con.	35
50.00.073	Water distribution vert w/o roll guide con.	35
1900.0202	Water filter	35
40.03.532	Wiring interior light	21

Deckblatt Elektrische Dokumentation, Cover sheet electrical Documentation

Die Elektrische Dokumentation besteht aus: 1. diesem Deckblatt, 2. dem Schaltplan und 3. der Legende der elektrischen Bauteile
The electric documentation contains: 1. this cover sheet, 2. the wiring diagram and 3. the bill of material (BOM)

Deckblatt-Nr. Front Page No.	75-21438	Version	0
Typ / Type	CMP 202E		
Schaltplan Wiring diagram	76-00617	Version	0
Spannung (SPL) Voltage	3AC200 V 50/60 Hz		
Legende Legend electr. components	78-01000	Version	0
Geräteserialnr. Serial number	E22MH1102	Version	1102
Erstellt am Created at	Sep 13, 2011 4:27 PM	Ersteller Creator	SCHD
Gültig ab Valid from	Sep 13, 2011 4:24 PM	Änderung Modification	

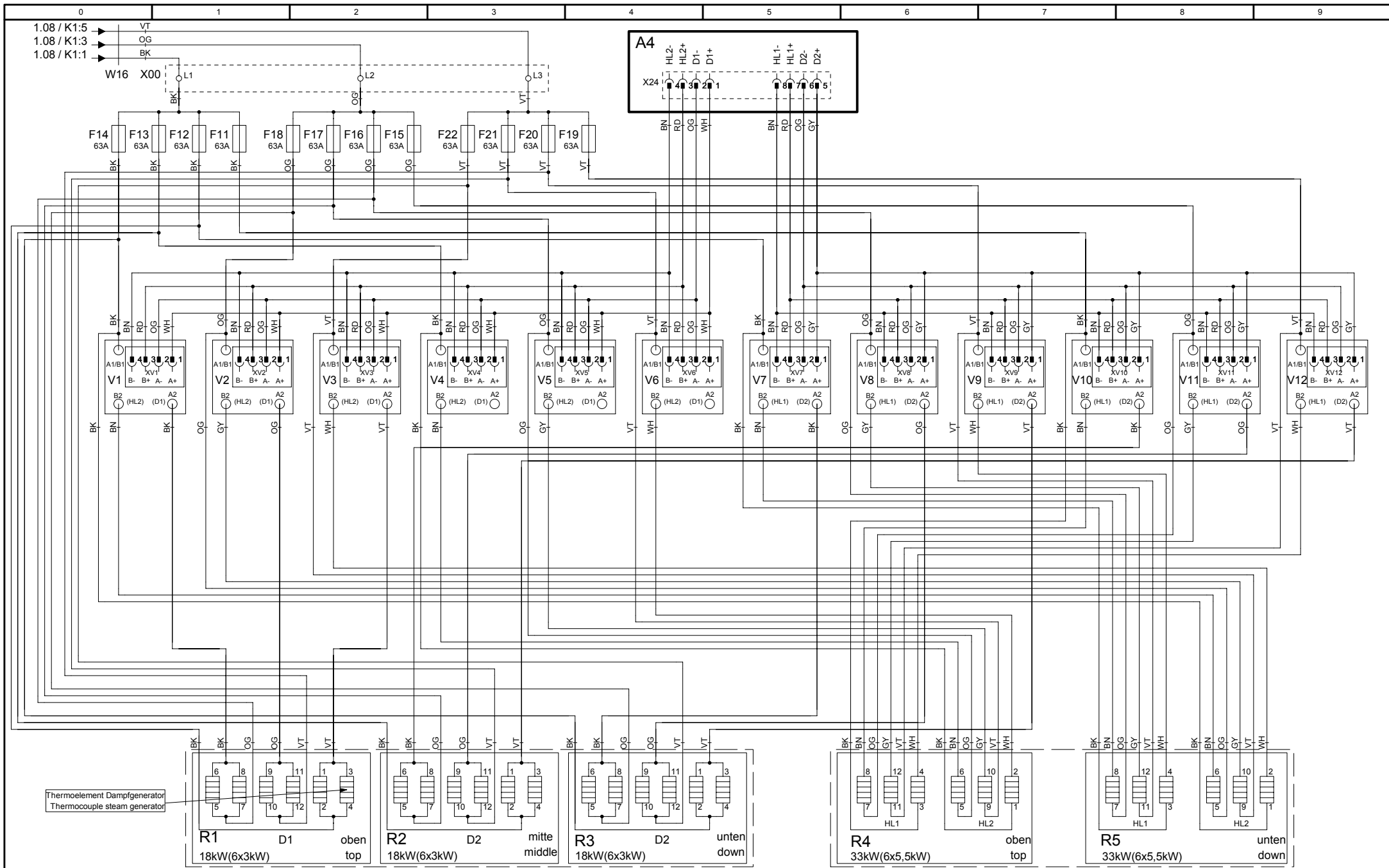


76-00617	0
Version	0

MODUL 1	Leistung/Power
---------	----------------

CMP 202E	3AC200 V 50/60 Hz
----------	-------------------

Erstellt von	SCHD
Created by	
Datum	06.10.2011
Date	
Blatt	1
Page	



76-00617

MODUL 2
Heizung/Heating

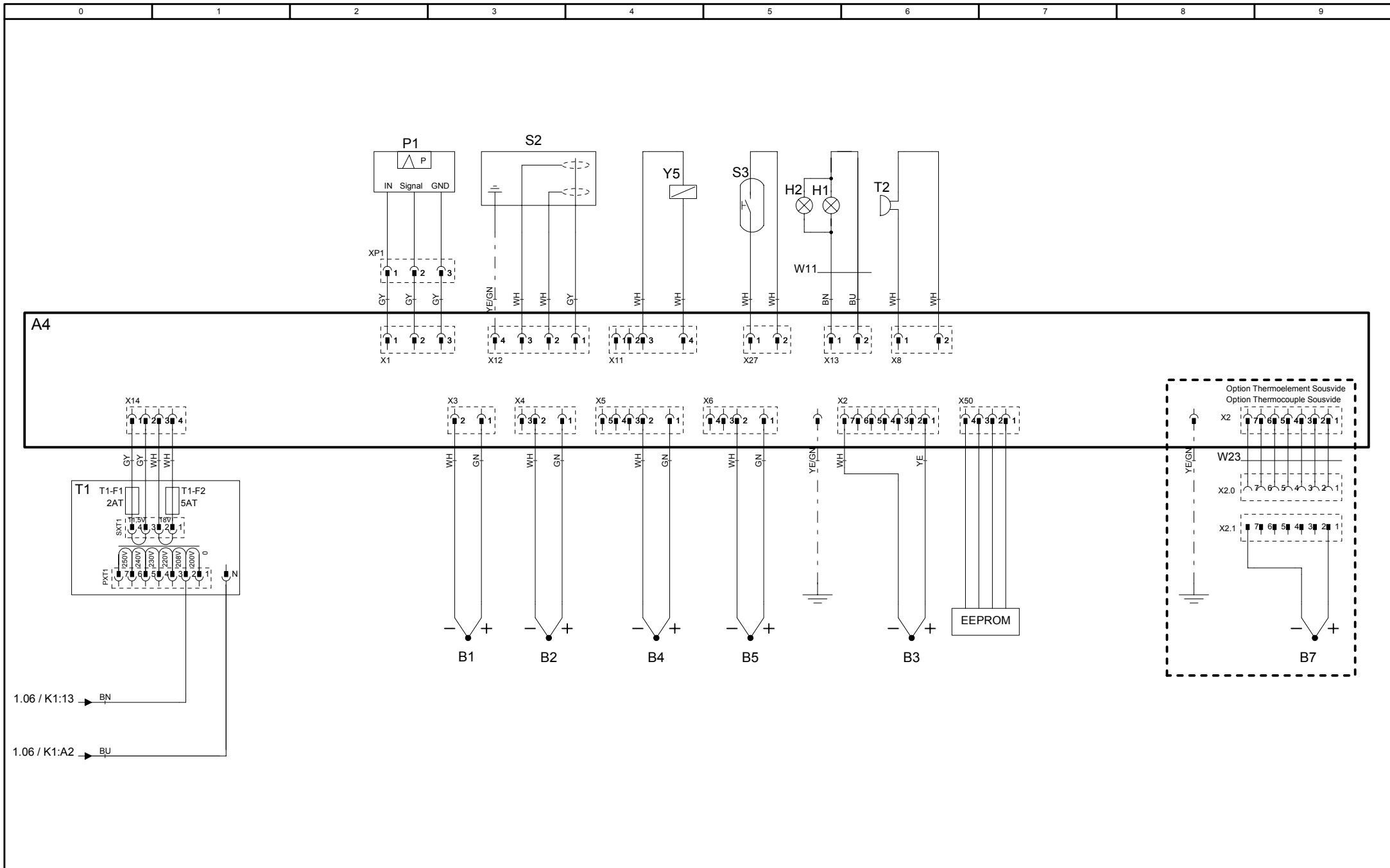
CMP 202E

3AC200 V 50/60 Hz

Erstellt von	SCHD
Created by	
Datum	06.10.2011
Date	
Blatt	2
Page	

Version

0



Positionsliste

Bill of material

Name Name	Artikelnr. Item number	Artikelbezeichnung	Item description	Module Modul
-A4	42.00.161	Bedienplatine CMP	Operator PCB CMP	Modul 1
-A4-F1	3019.0125	Sicherung 1,6AT	Fuse 1,6AT	Modul 1
-B1	40.03.528	Thermoelement Garraum	Thermocouple interior cabinet	Modul 3
-B2	54.01.254	Thermoelement Ablöschung	Thermocouple quenching	Modul 3
-B3	40.04.041	Thermoelement Kerntemperatur	Thermocouple core sensor	Modul 3
-B4	40.00.399	Thermoelement Feuchte	Thermocouple humidity	Modul 3
-B5	40.04.107	Thermoelement Dampfgenerator	Thermocouple steam generator	Modul 3
-F1/F2	4001.0224	Steuersicherung	Control fuse	Modul 1
-F11-F22	3019.0405	Sicherung Heizkörper J/USA 202	Fuse heating element J/USA 202	Modul 2
-F3	40.01.329	Sicherheitstemperaturbegrenzer Gas:157°C/314° F Elek.:183°C/360°F	Safety thermostat steam generator Gas: 157°C/ 314°F Elec.: 183°C/360°F	Modul 1
-F4	40.01.482	Sicherheitstemperaturbegrenzer 360°C/680°F	Safety thermostat interior cabinet 360°C/680°F	Modul 1
-H1	3024.0201	Garraumbeleuchtung	Interior cabinet light	Modul 3
-H2	3024.0201	Garraumbeleuchtung	Interior cabinet light	Modul 3
-K1	40.04.008	Hauptschütz	Main contactor	Modul 1
-M1	40.03.513	Lüftermotor	Fan motor	Modul 1
-M11	40.03.425	Kühllüfter	Cooling fan	Modul 1
-M13	40.03.425	Kühllüfter	Cooling fan	Modul 1
-M14	40.03.425	Kühllüfter	Cooling fan	Modul 1
-M2	40.03.513	Lüftermotor 201/202 (unten)	Fan motor 201/202 (bottom)	Modul 1
-M4	44.00.207	SC-Pumpe	SC-pump	Modul 1
-M5	40.03.985	Kühllüfter	Cooling fan	Modul 1
-P1	3017.1011	Differenzdrucksensor	Differential pressure sensor	Modul 3

Änderungsdatum	13.09.2011	Name	CMP 202E	Dokument-Nr.	78-01000
Erzeuger	SCHD	Spannung	3AC200 V 50/60 Hz	Version	0

Positionsliste

Bill of material

Name Name	Artikelnr. Item number	Artikelbezeichnung	Item description	Module Modul
-R1	44.01.350	Dampfheizkörper	Heating element steam	Modul 2
-R2	44.01.350	Dampfheizkörper	Heating element steam	Modul 2
-R3	44.01.350	Dampfheizkörper	Heating element steam	Modul 2
-R4	40.03.658	Heißluftheizkörper	Heating element hot air	Modul 2
-R5	40.03.658	Heißluftheizkörper	Heating element hot air	Modul 2
-S2	44.01.408	Niveauelektrode	Water level electrode	Modul 3
-S3	40.00.454	Türkontaktschalter	Door contact switch	Modul 3
-S7	40.00.464	Potentiometer Zeit / Kerntemperatur	Time / Core potentiometer	Modul 3
-T1	40.03.348	Steuertrafo	Control transformer	Modul 3
-T1-F1	3019.0120	Sicherung Steuertrafo T1 2AT	Fuse control transformer T1 2AT	Modul 3
-T1-F2	3019.0126	Sicherung Steuertrafo T1 5AT	Fuse control transformer T1 5AT	Modul 3
-T2	40.04.048	SCC WE: Lautsprecher / CMP: Alarmsummer	SCC WE: Speaker / CMP: Buzzer	Modul 3
-T4	40.03.984	Trafo Kühllüfter 201/202	Transformer cooling fan 201/202	Modul 1
-V1-V12	40.00.453	Leistungshalbleiter	Solid state relais	Modul 2
-W11	40.03.532	Kabel: Garraumbeleuchtung	Cable: interior cabinet light	Modul 3
-W16	40.03.487	Kabel: Klemmen/Hauptschütz/SSR	Cable: terminal/main contactor/SSR	Modul 2
-W17	40.03.816	Kabel: Steuerstamm	Cable: control harness	Modul 1
-Y1	50.01.147	Magnetventil Füllen	Solenoid valve filling	Modul 1
-Y2	50.01.146	Magnetventil Ablöschung	Solenoid valve quenching	Modul 1
-Y5	22.00.725	Klimaventil	Clima valve	Modul 3
-Z1	40.02.425	Entstörfilter/Varistor	Electronic noise filter	Modul 1

Änderungsdatum	13.09.2011	Name	CMP 202E	Dokument-Nr.	78-01000
Erzeuger	SCHD	Spannung	3AC200 V 50/60 Hz	Version	0