

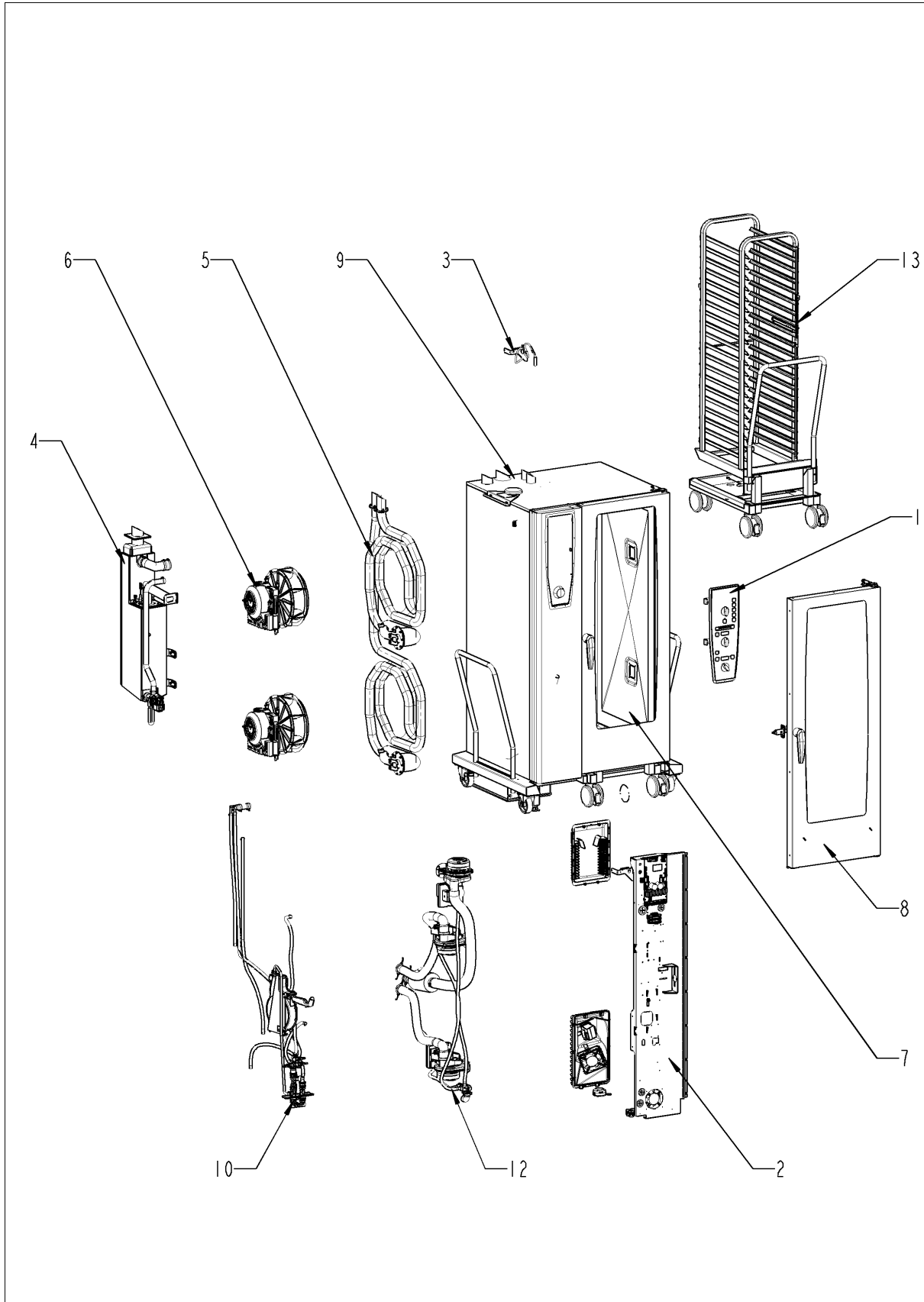
Service part catalogue

SelfCookingCenter® whiteefficiency®
Combi Master 202 - 20 x 2/1 GastronormG

G22MH1111



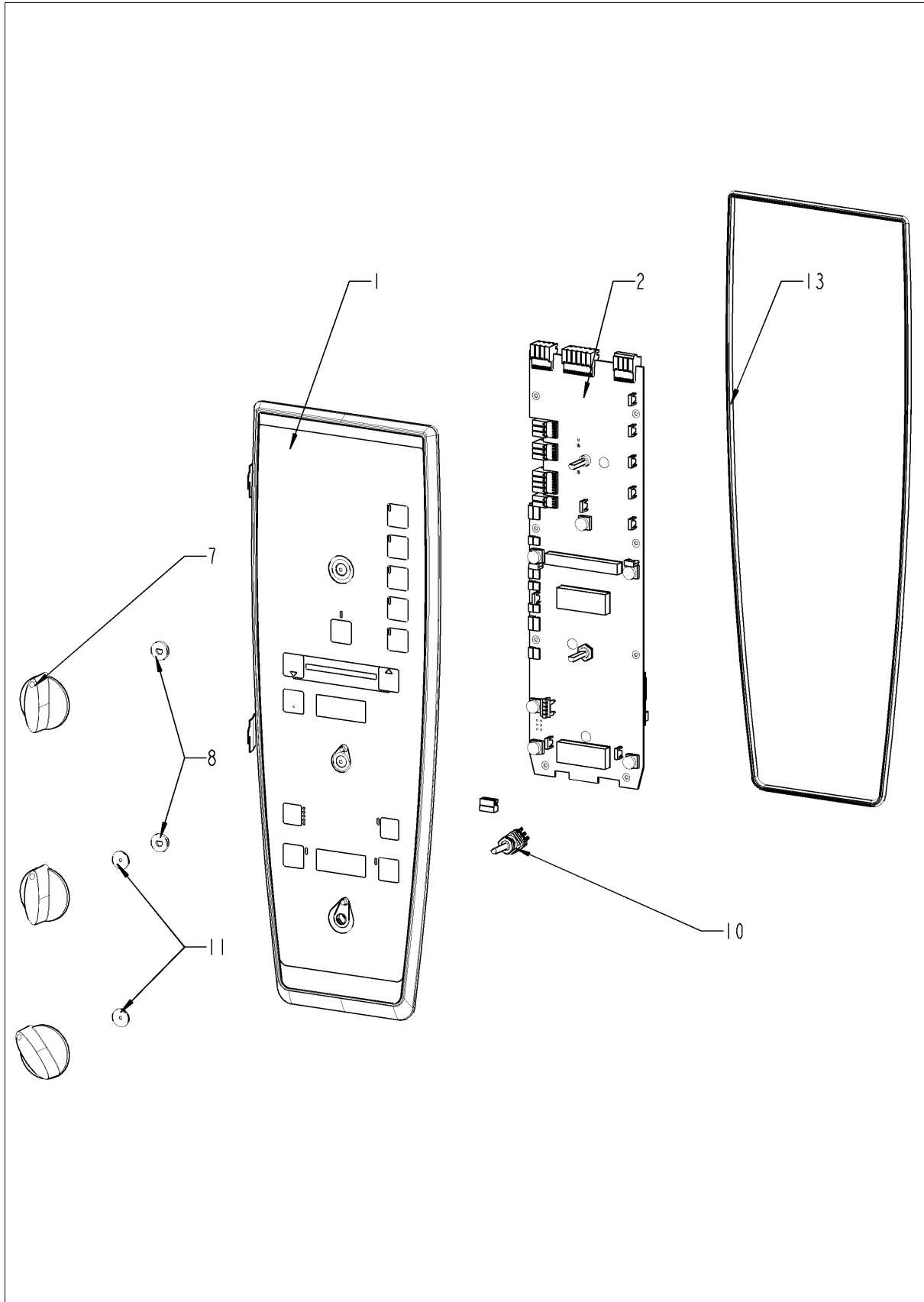
SelfCookingCenter® whiteefficiency®



SelfCookingCenter® whiteefficiency®

Pos.	Part No.	Description	Qty.
1		Control panel	1
2		Electrical installation	1
3		ClimaPlus	1
4		Steam generator	1
5		Hot air heating	1
6		Motor and fan wheel	1
7		Interior cabinet	1
8		Door	1
9		Exterior cabinet	1
10		Water	1
11		CleanJet + Care	1
12		Gas parts	1
13		Standard accessory	1

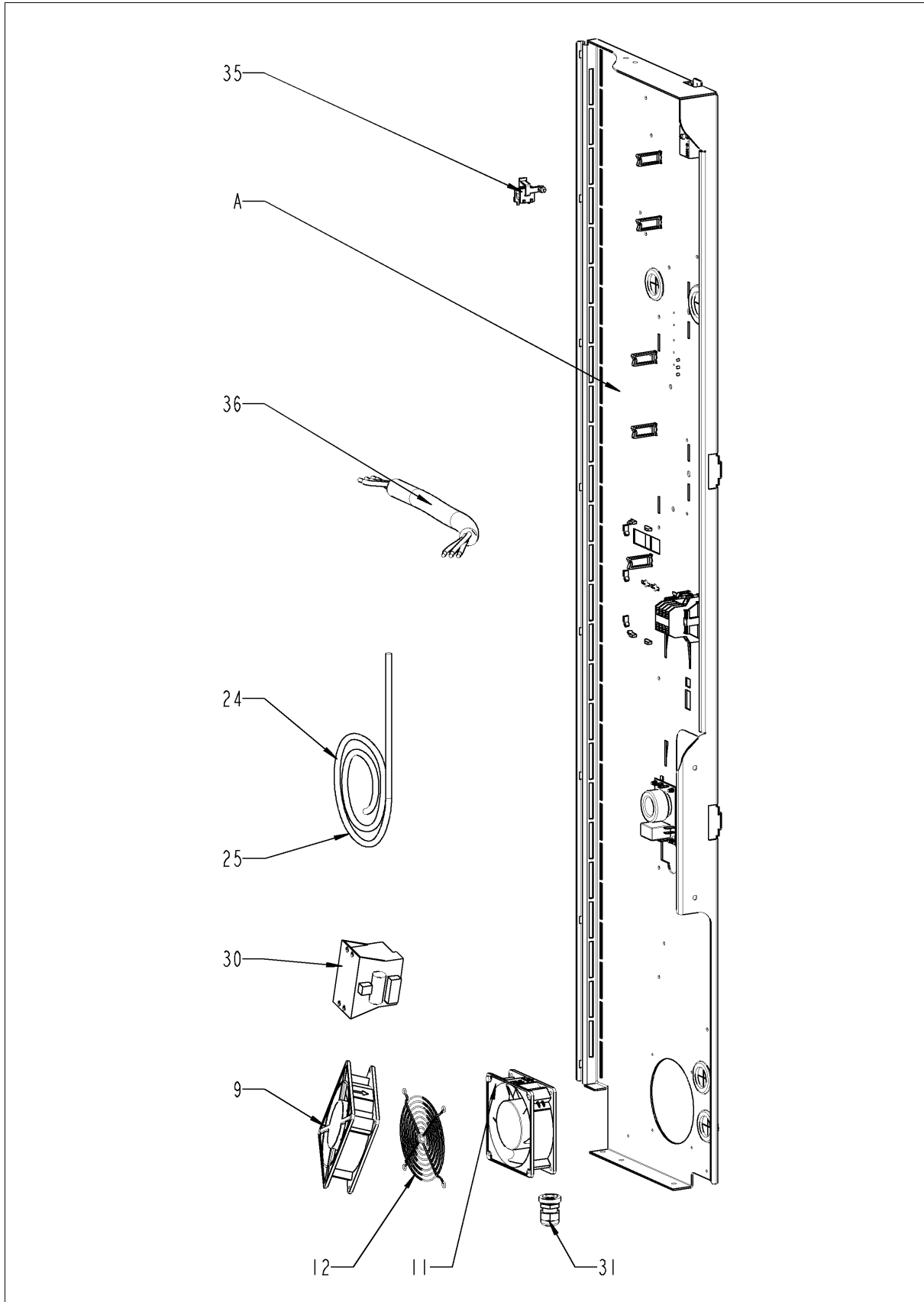
Control panel



Control panel

Pos.	Part No.	Description	Qty.
1	87.01.006	Control panel insert with overlay *RAT*	1
2	42.00.161	Control pcb	1
7	16.00.282	Dial	3
8	5110.1027	Distance plate for front panel	2
10	40.00.464	Potentiometer CT	1
11	5110.1029	Gasket mode switch	2
13	16.01.908	Sealing f. panel insert	1

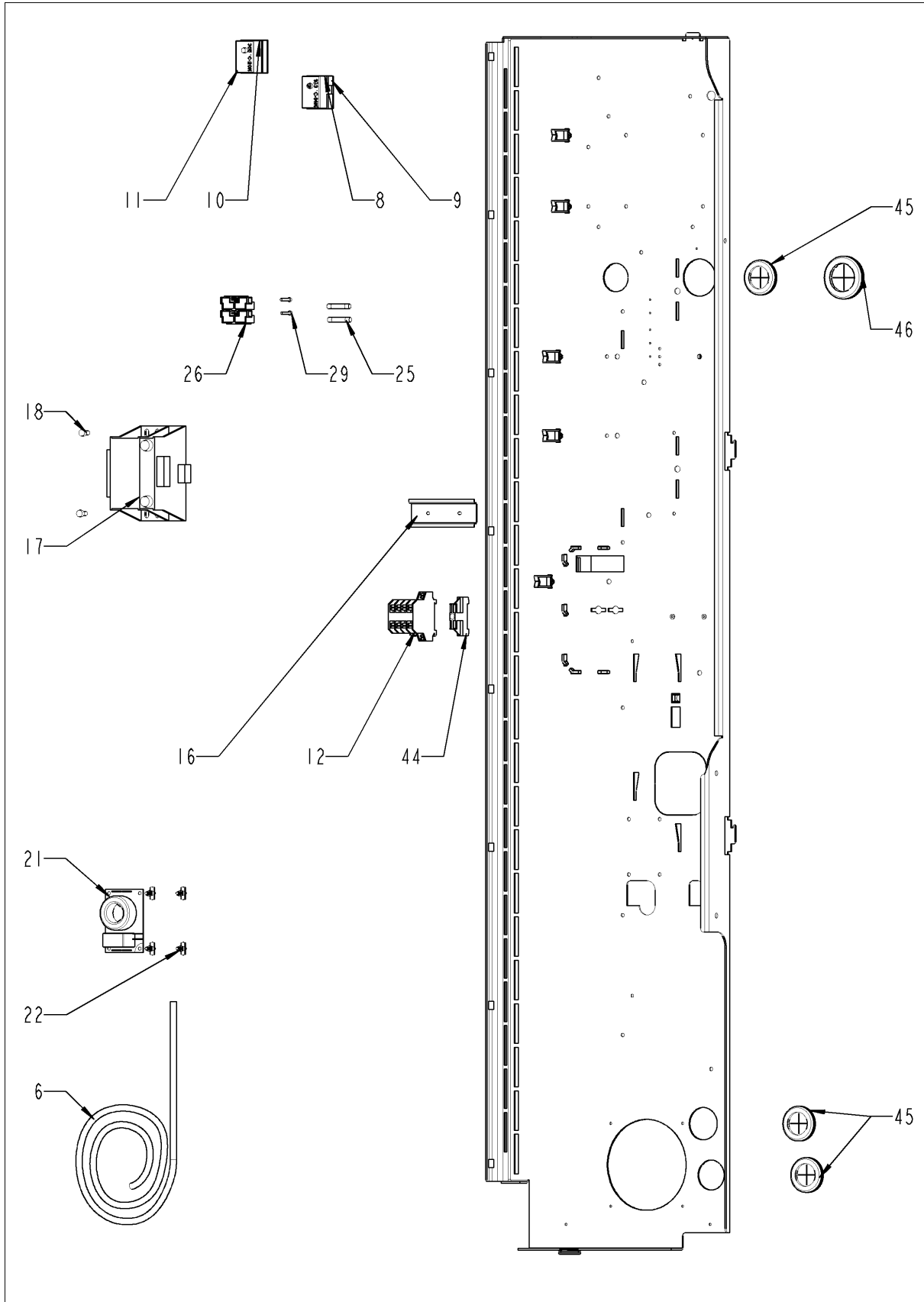
Electrical installation



Electrical installation

Pos.	Part No.	Description	Qty.
9	40.03.948	Cooling fan with NTC	1
11	40.03.425	Cooling fan	1
12	2005.0106	Protective grid for cooling fan	1
15	10.00.564	Pan head screw Torx T20 M4x45	2
24	40.04.089	Bus cable 1.15m	1
25	40.03.995	Bus cable 0.85m	1
26	40.03.996	Bus cable 1.15m	1
27	40.03.468	Power transformer	1
29	10.00.445	Hex screw M8x80	1
30	40.03.772	Transformer f. cooling fan	1
31	40.00.320	Cable connection M20x1.5	1
35	40.04.048	Buzzer	1
36	40.01.596	Power supply cable 3x2,5mm ² 3m	1
38	40.03.995	Bus cable 0.85m	1
A		Electrical installation	1

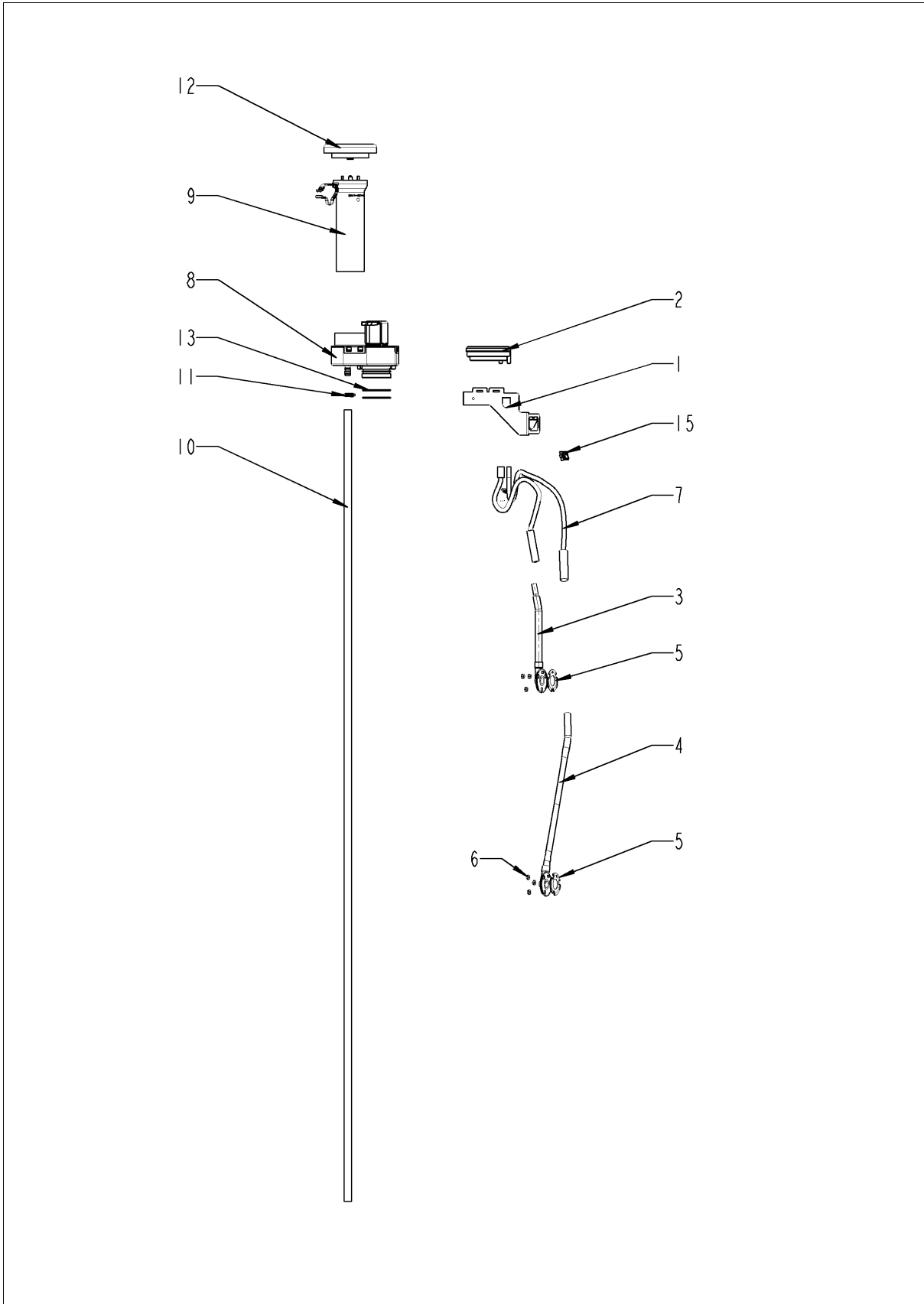
Electrical installation



Electrical installation

Pos.	Part No.	Description	Qty.
6	40.03.818	Cable control harness	1
7	40.04.116	Cable harness isolating transformer	1
8	40.02.515	Dry up protector 315°F/157°C	1
9	3014.0302	Hex nut M10 for dry-up protector	1
10	40.01.482	Safety temperature limiter 365°C	1
11	3014.0327	Hex nut M10x1,0	1
12	40.03.761	Contactor 3TG1010-3AK2	1
16	40.03.290	Installation rail for Contactor	1
17	40.03.348	Control transformer T1	1
18	10.01.065	Hex nut M5	1
20	10.00.709	Hex nut M6 w. locking	1
21	40.01.483	Electronic noise filter	1
22	40.01.579	Fixing clip f. pcb	4
25	40.01.873	Fuse SC-15A 10x38	2
26	40.02.512	Fuse holder 2x6.3A	1
26	40.01.487	Fuse holder 2pol	1
29	10.00.365	Pan head screw Torx M3x20	2
45	4007.0620	Membrane DGC 29	3
46	4007.0621	Membrane DGC 36	1

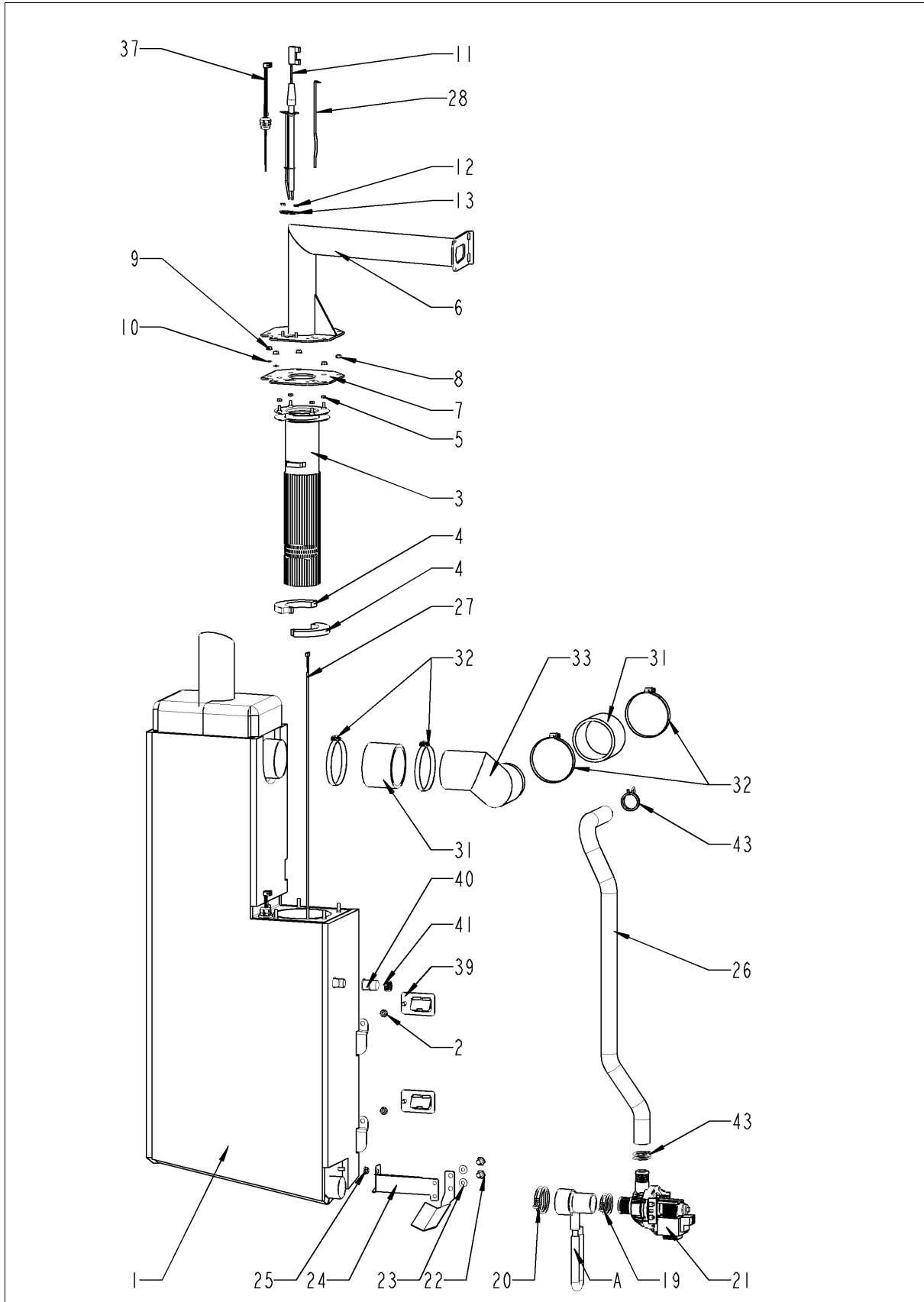
ClimaPlus



ClimaPlus

Pos.	Part No.	Description	Qty.
1	22.00.882	Mounting device f. pressure sensor	2
2	3017.1011	Pressure sensor for humidity control Huba 401	1
3	22.00.908	Inner humidity meas. Piece	1
4	22.00.850	Outer humidity meas. Piece	1
5	22.00.881	Gasket f. hum. meas. Pipe	2
6	1104.0122	Hex combination nut M4 galv	6
7	22.00.525	Hose set f. humidity control	1
8	22.00.725	Humidity control cpl.	1
9	22.00.916	Air inlet pipe	1
10	22.00.958	Drain hose for humidity control	1
11	2066.0527	Hose clamp ø14mm	2
12	22.00.767	Vent cover	1
13	22.00.837	O-ring for humidity control	2
15	10.00.111	Cable clip long	2

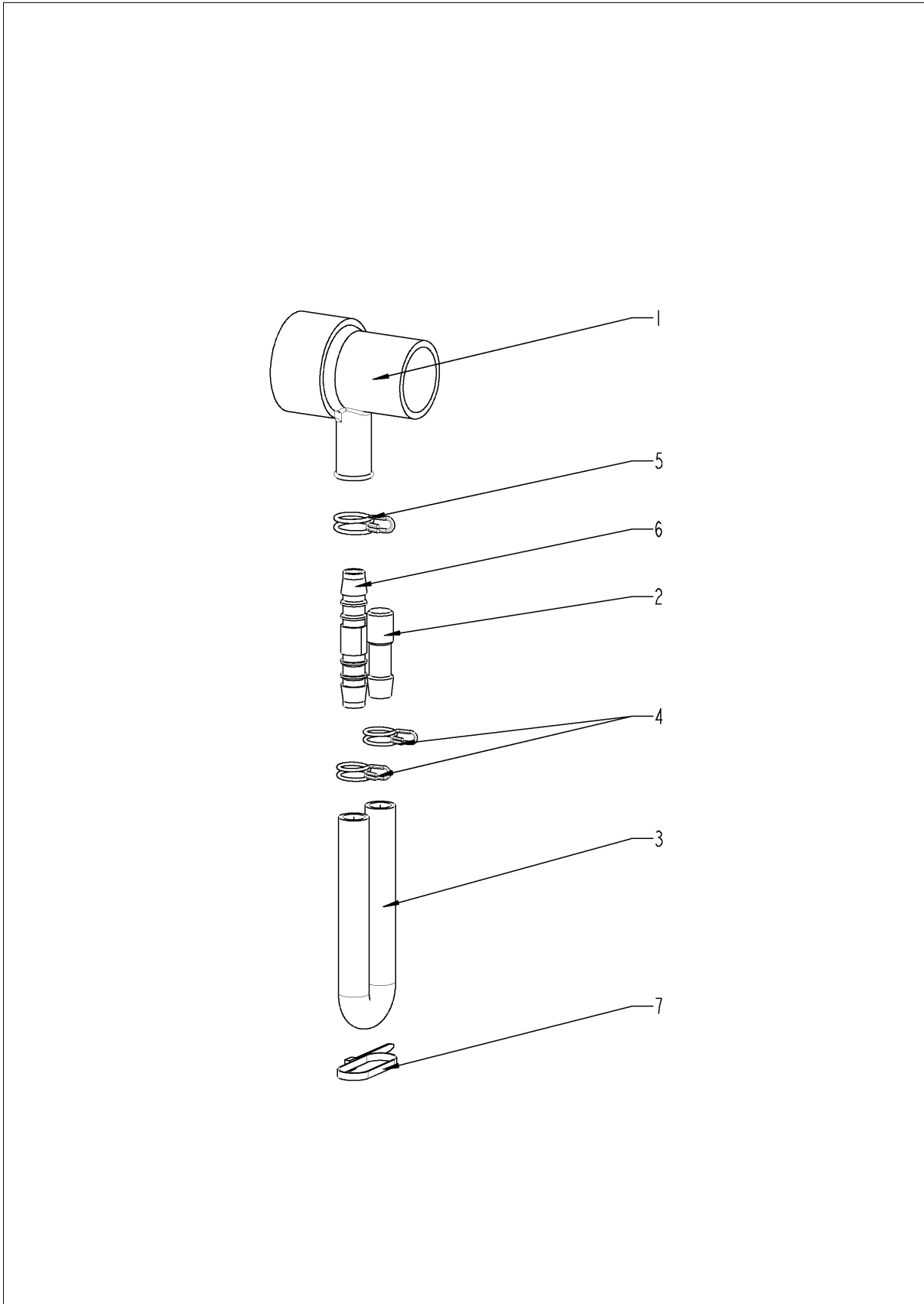
Steam generator



Steam generator

Pos.	Part No.	Description	Qty.
1	44.00.948	Steam generator insolated	1
2	10.00.709	Hex nut M6 w. locking	2
3	72.00.088	Burner steam gen.	1
4	72.00.077	Insulation f. burner steam gen.	2
5	1104.0122	Hex combination nut M4 galv	4
6	70.00.472	Burner pipe	1
7	72.00.067	Gasket f. burner carrier	1
8	1105.0121	Hex combination nut M5 galv	3
9	1105.0120	Hex nut M5	2
10	1205.0120	Tooth lock washer A5,3	2
11	44.01.237	Ignition electrode steam generator	1
12	1104.0120	Hex nut M4	2
13	44.00.250	Gasket f. ignition electrode	1
19	2066.0519	Hose clamp 35,6mm	1
20	2066.0526	Hose clamp ø46mm	1
21	44.00.207	Emptying pump	1
22	1006.0762	Hex screw M6x10	2
23	1306.0222	Washer A6,4x15x1,5	2
24	44.01.248	Fixing device f. pump steam generator	1
25	10.00.709	Hex nut M6 w. locking	2
26	44.01.231	Drain hose steam generator	1
27	40.04.110	Thermocouple steam generator *B5*	1
28	44.00.517	Fixing plate steam generator thermostat	1
31	44.00.362	Steam hose 70x5	2
32	2066.0516	Hose clamp 60-80 mm	4
33	44.01.086	Steam pipe	1
37	44.01.371	Filling level electrode 135mm	1
39	44.01.181	Fixing angle steam generator	2
40	44.01.031	Closing cap for steam generator	1
41	10.00.982	Hose clamp D=18.2	1
43	2066.0518	Hose clamp 30mm	2
A	8354.1320	Pump connection spout cpl.	1

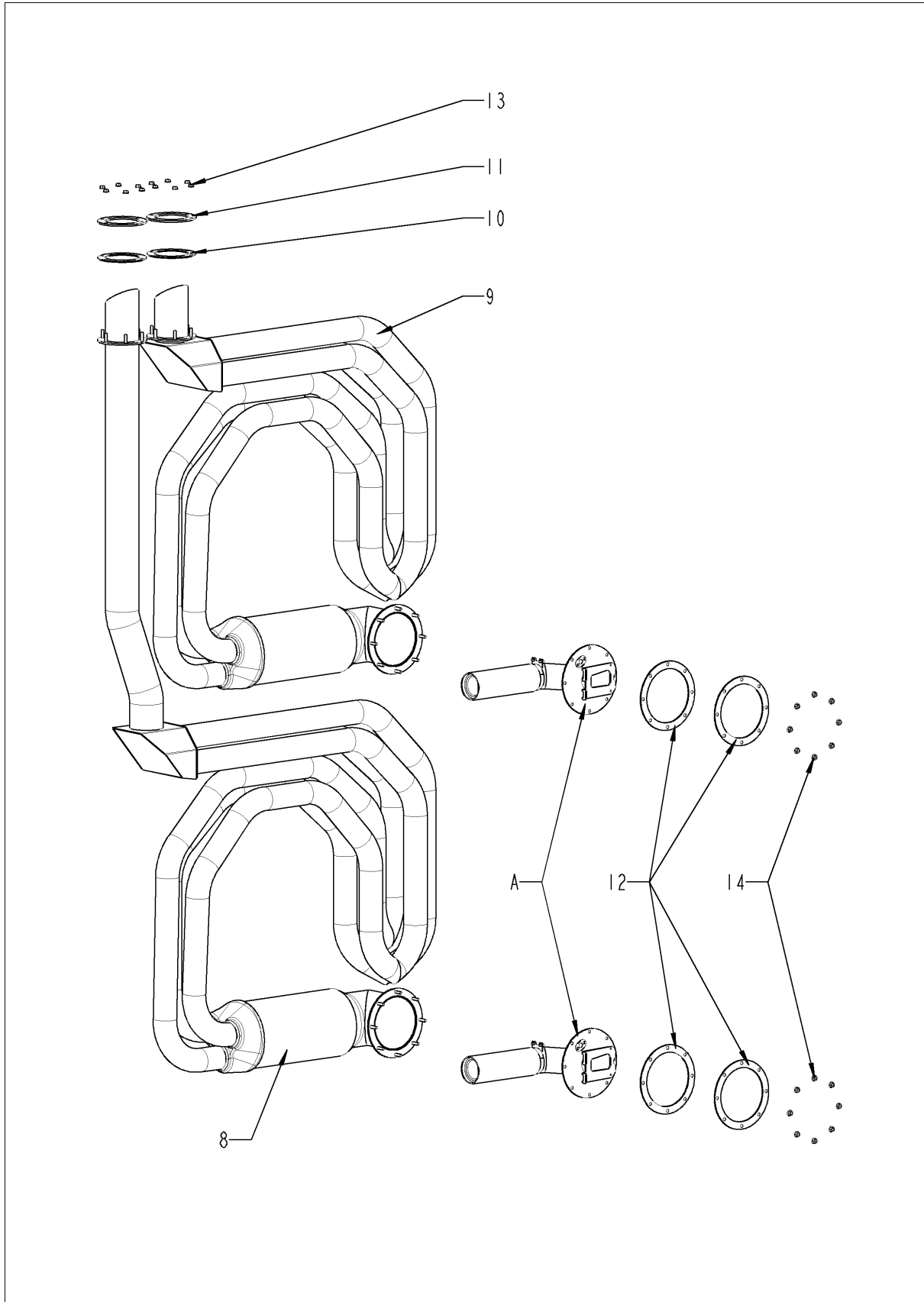
Pump connection spout



Pump connection spout

Pos.	Part No.	Description	Qty.
1	2118.1000	Pump connection spout	1
2	2120.1259	Stop plug 10mm	1
3	2110.1008	Silicon hose ø10x2mm	1
4	2066.0527	Hose clamp ø14mm	2
5	2066.0530	Hose clamp ø16.4mm	1
6	2062.0331	Junction pressure hose GS 10	1
7	4005.0101	Tie rap 145 mm	1

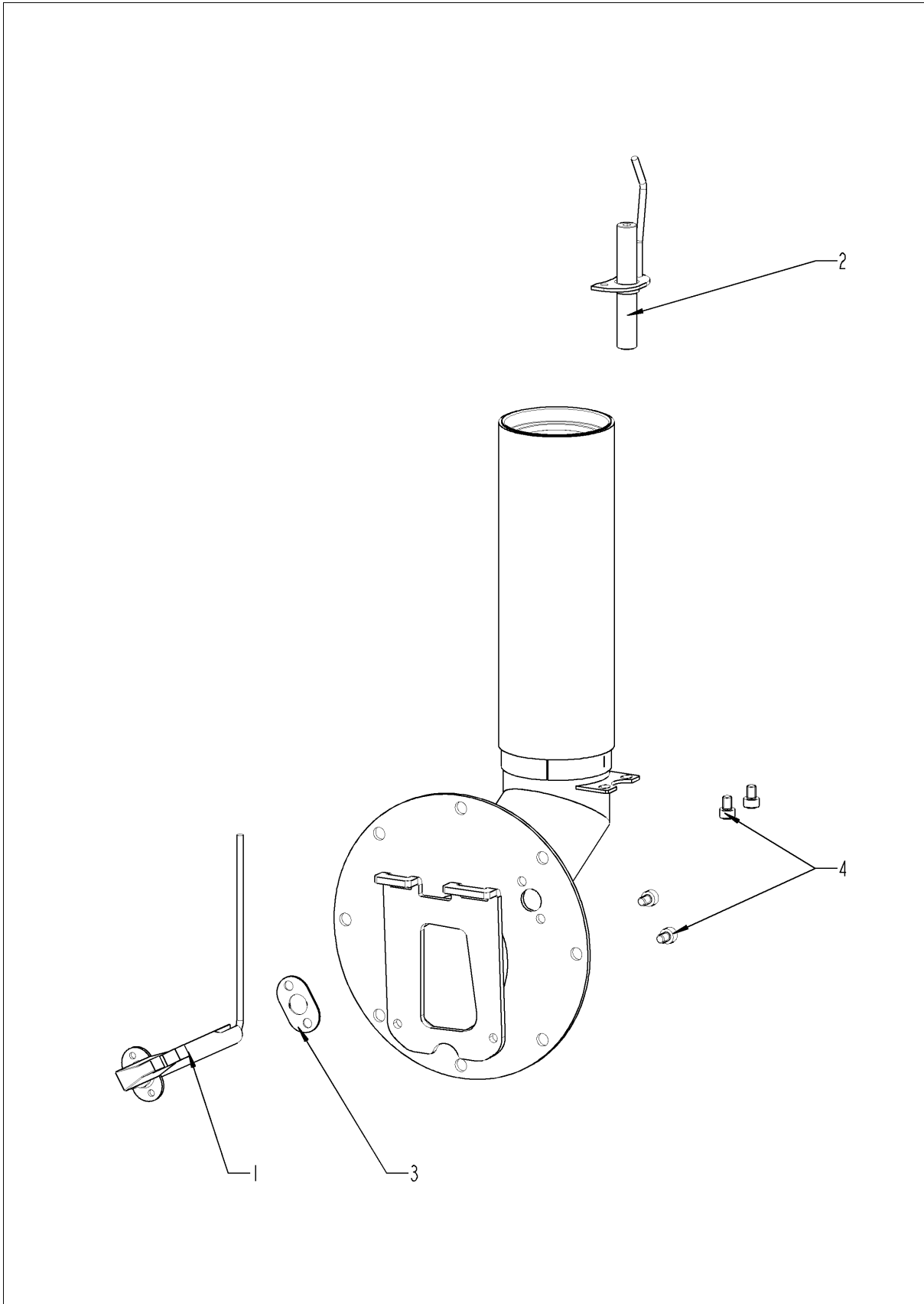
Hot air heating



Hot air heating

Pos.	Part No.	Description	Qty.
8	74.00.806	Hot air heat exchanger below	1
9	74.00.802	Hot air heat exchanger top	1
10	74.00.869	Gasket hot air heat exchanger/interior cabinet	2
11	74.00.868	Mating flange heat exchanger	2
12	74.00.296	Gasket f. heat exchanger below	4
13	10.01.065	Hex nut M5	12
14	10.01.065	Hex nut M5	16
A	74.00.830	Burner hot air	2

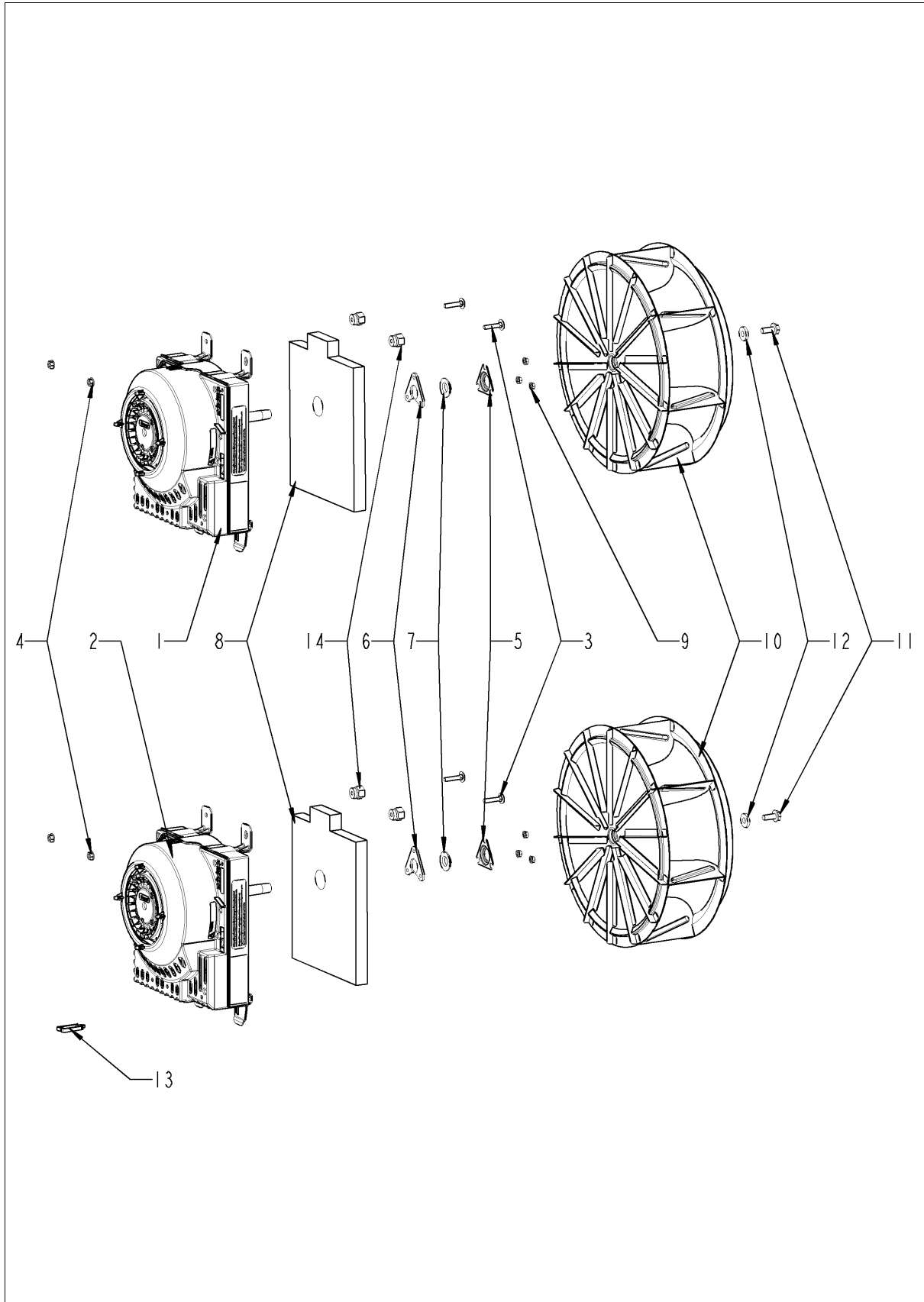
Burner hot air



Burner hot air

Pos.	Part No.	Description	Qty.
1	74.00.034	Ignitionelectrode, hot air	1
2	74.00.873	Earth electrode, hot air	1
3	74.00.290	Gasket electrode hot air	1
4	10.00.696	Allen screw M4x6 w. Precoat 85	4

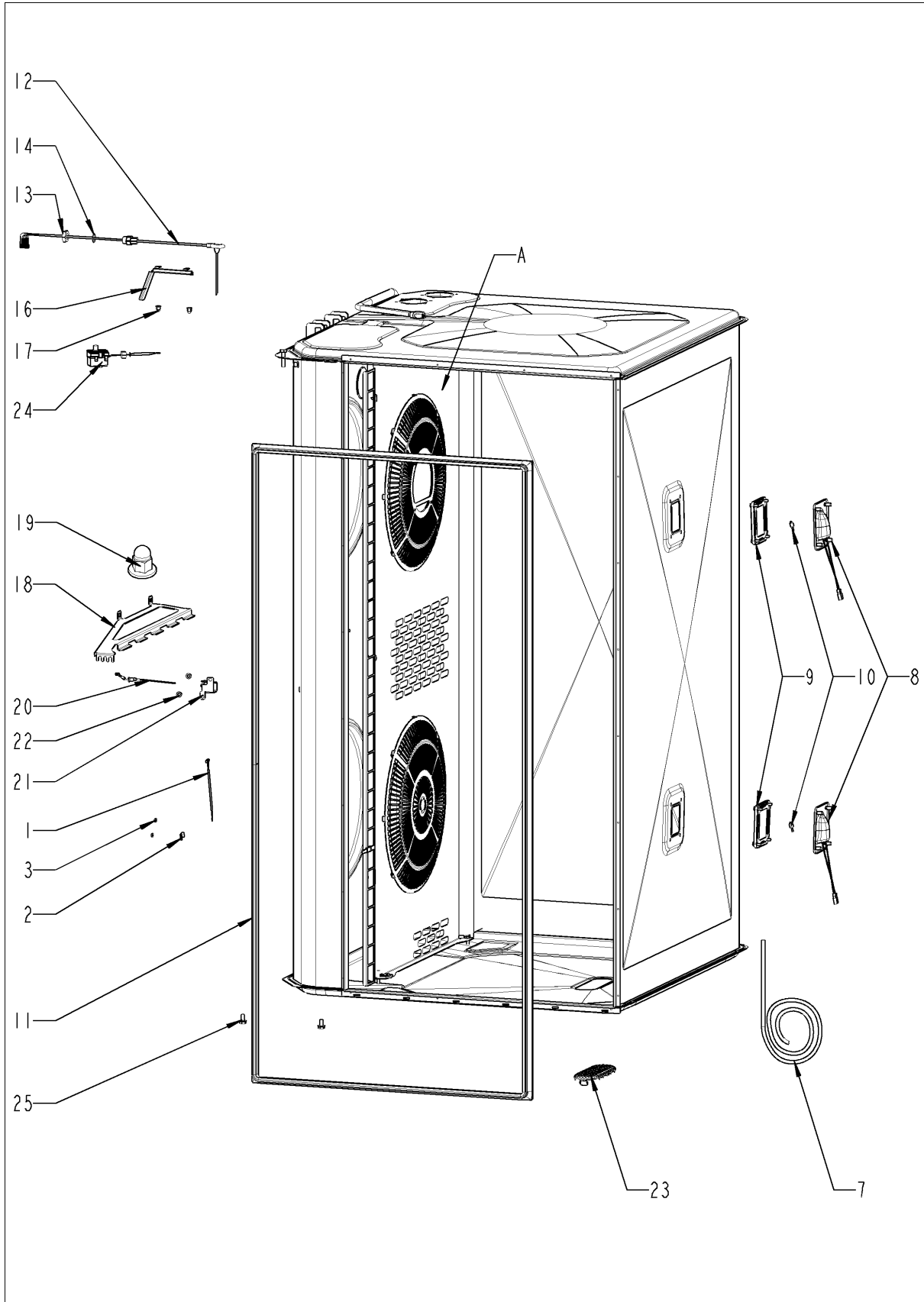
Motor and fan wheel



Motor and fan wheel

Pos.	Part No.	Description	Qty.
1	40.03.513	Fan motor	1
2	40.03.513	Fan motor	1
3	10.01.049	Square necked mushroom head bolt 6x30	8
4	10.00.709	Hex nut M6 w. locking	4
5	22.00.721	Flange f. motor shaft gasket	2
6	22.00.722	Mounting support f. gasket flange	2
7	22.00.083	Motor shaft gasket	2
8	20.01.755	Isolation for mounting plate for motor	2
9	10.01.065	Hex nut M5	6
10	22.00.829	Fan wheel	2
11	10.00.565	Hex screw M8x20	2
12	1308.0162	Washer A8,4	2
13	10.00.112	Cable clip short	1
14	20.01.411	Bushing for motor mounting bar	8

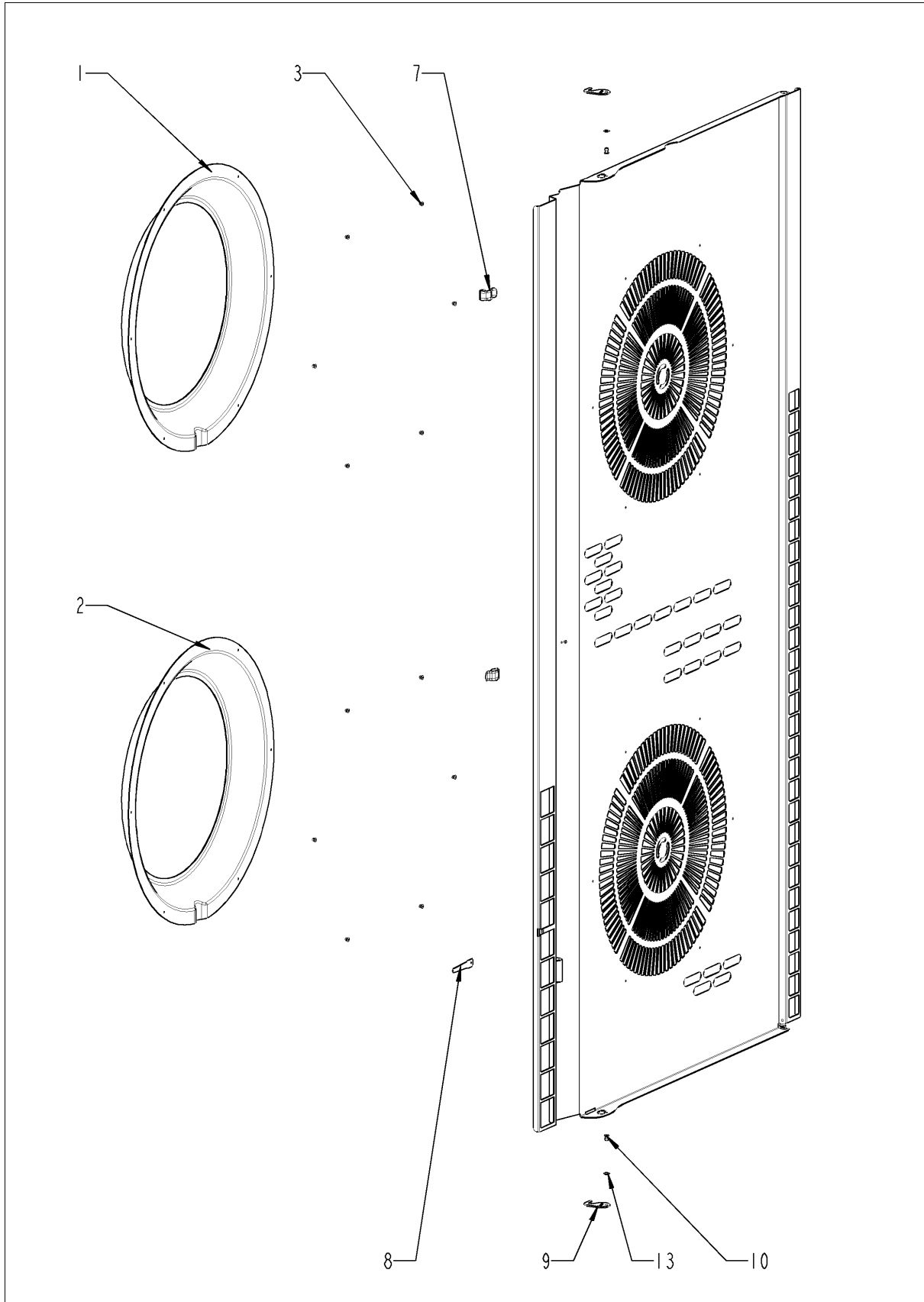
Interior cabinet



Interior cabinet

Pos.	Part No.	Description	Qty.
1	40.00.399	Thermocouple humidity	1
2	10.00.087	Clamp strap f. sensor	1
3	10.00.100	Hex nut M4, self-locking	1
7	40.03.532	Wiring interior light	1
8	40.00.098	Reflector f. interior light	2
9	40.00.091	Gasket frame w. glass a. gaskets	2
10	3024.0201	Halogen bulb 300°C	1
10	3024.0201	Halogen bulb 300°C	1
11	20.00.399	Door gasket	1
12	40.04.041	Meat probe sensor	1
13	10.00.612	Hex nut M16 flat	1
14	1315.0104	Copper washer 16x20x1,5	1
16	40.01.317	Screen core temperature sensor	1
17	10.01.076	Cap nut M5*A2	2
18	22.00.781	Air baffle support	1
19	10.01.076	Cap nut M5*A2	4
20	40.03.528	Thermocouple interior cabinet B1	1
21	40.03.782	Screen interior cabinet sensor	1
22	10.01.076	Cap nut M5*A2	2
23	54.01.117	Outlet sieve	1
24	40.01.482	Safety temperature limiter 365°C	1
25	3014.0327	Hex nut M10x1,0	1
A	22.00.951	Air baffle	1

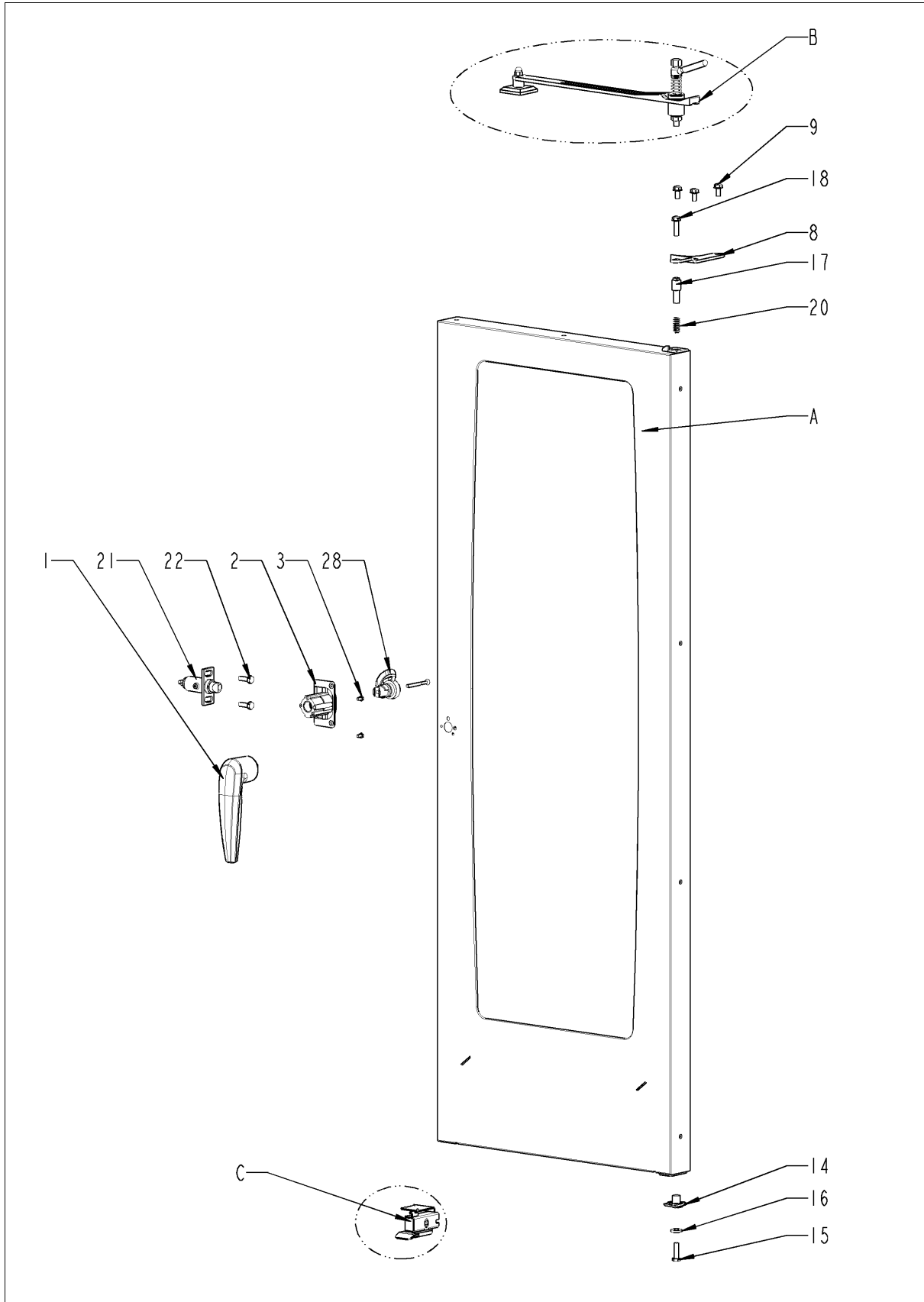
Air baffle



Air baffle

Pos.	Part No.	Description	Qty.
1	22.00.836	Air sucking ring f. air baffle	1
2	22.00.836	Air sucking ring f. air baffle	1
3	10.00.515	Rivet 3,2x5 A4	12
7	40.03.780	Fixing clip core temp. cable	3
8	22.00.491	Surge guard for Meat probe sensor	1
9	2760.1370	Latch hook for air baffle	2
10	1604.0167	Rivet 4x10	3
13	10.00.744	Washer A4,3 *A4	1

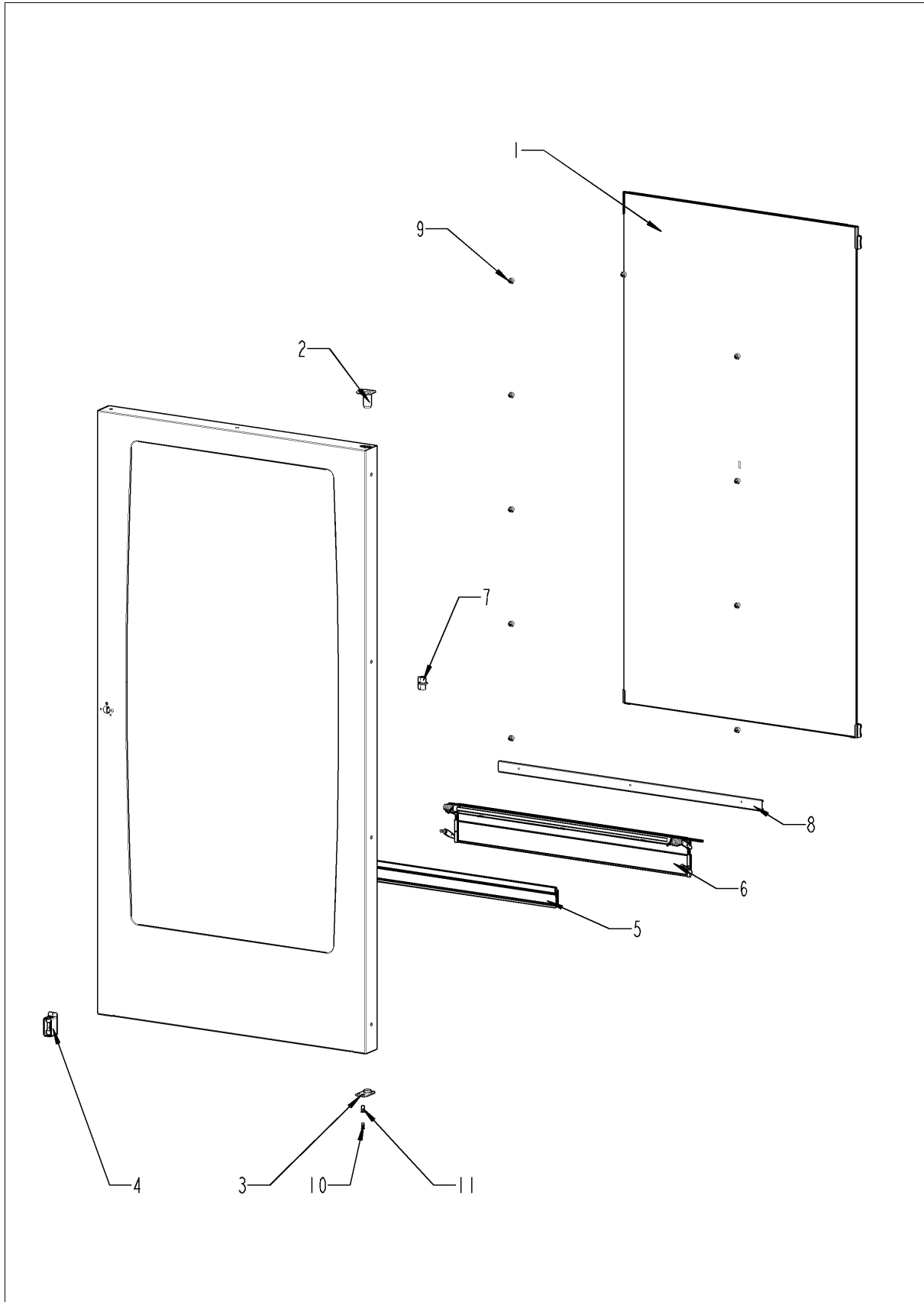
Door



Door

Pos.	Part No.	Description	Qty.
1	24.00.136	Door handle	1
2	24.01.350	Door lock	1
3	10.00.697	Hex screw M5x10 w. precoat 85	2
4	1305.0160	Washer A5,3x10mm	2
5	10.00.090	Cap f. Torx T30	1
7	10.00.696	Allen screw M4x6 w. Precoat 85	2
8	24.00.133	Door mounting support top	1
9	1008.0768	Ornamental screw M8x16	3
14	24.00.145	Door bolt	1
15	1008.0766	Hex screw M8x30	1
16	1308.0162	Washer A8,4	1
17	24.00.048	Door bolt	1
18	1008.0769	Ornamental screw M8x30	1
20	2001.0109	Compression spring	1
21	24.01.351	Door catch	1
22	1008.0761	Hex screw M8x25	2
28	87.00.540	Door bolt cpl.	1
A	24.00.126	Door	1

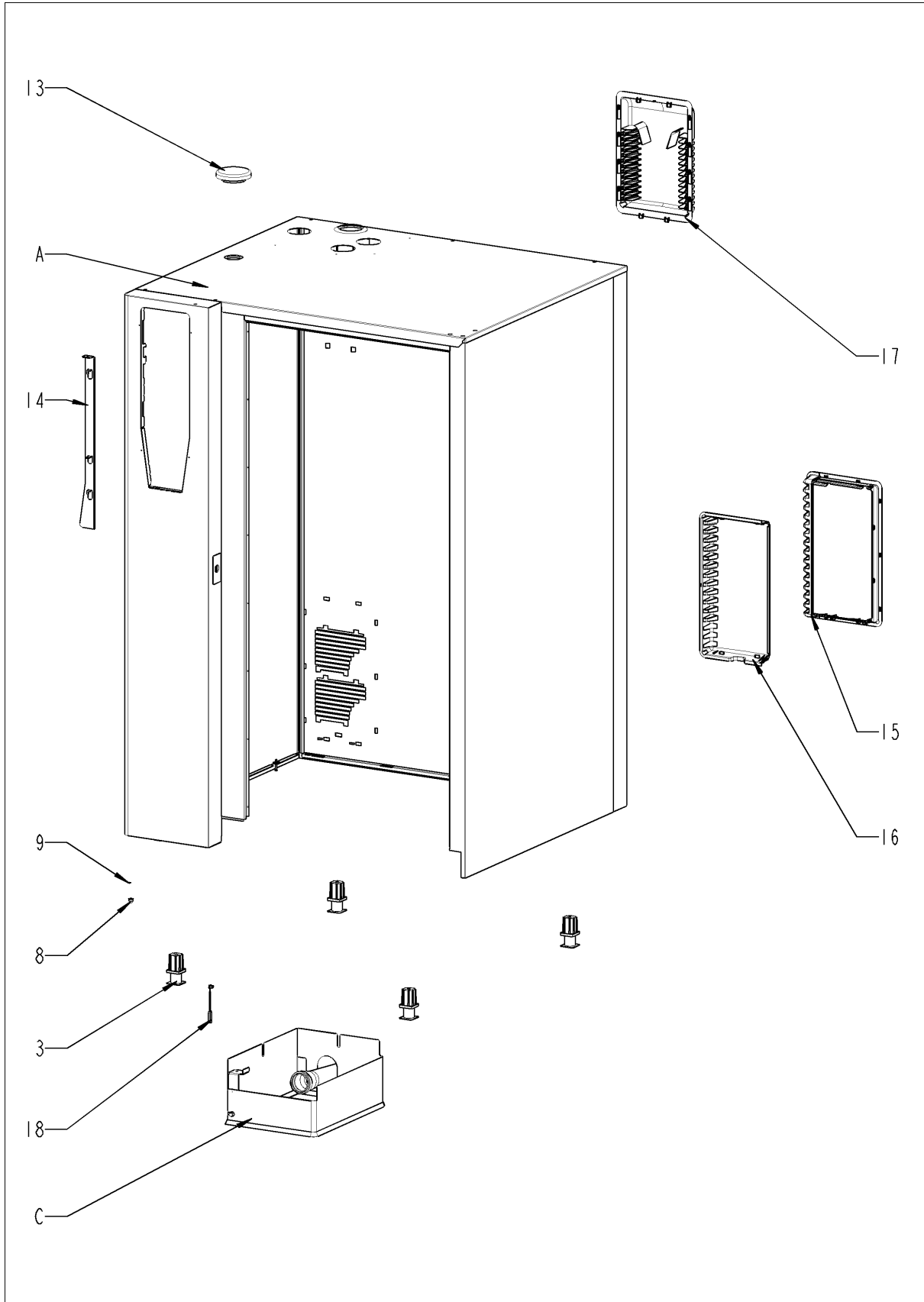
Door



Door

Pos.	Part No.	Description	Qty.
1	24.00.212	Inner glass pane	1
2	24.00.147	Sleeve for door bolt top	1
3	24.00.159	Door setting bolt	1
4	24.01.346	Fixing device f. magnet with magnet, adjustable	1
5	24.00.194	Gasket glass pane/trolley	1
6	24.00.178	Pre heat mechanism f. door cpl.	1
7	24.00.507	Fixing device middle f.inter. glass pane	1
8	24.00.701	Additional gasket f. trolley	1
9	24.01.259	Plastic buffer 8,1mm for door	1
10	1005.1966	Countersunk screw Torx M5x16	2
11	10.00.041	Rivet nut M5 hexagon closed	2

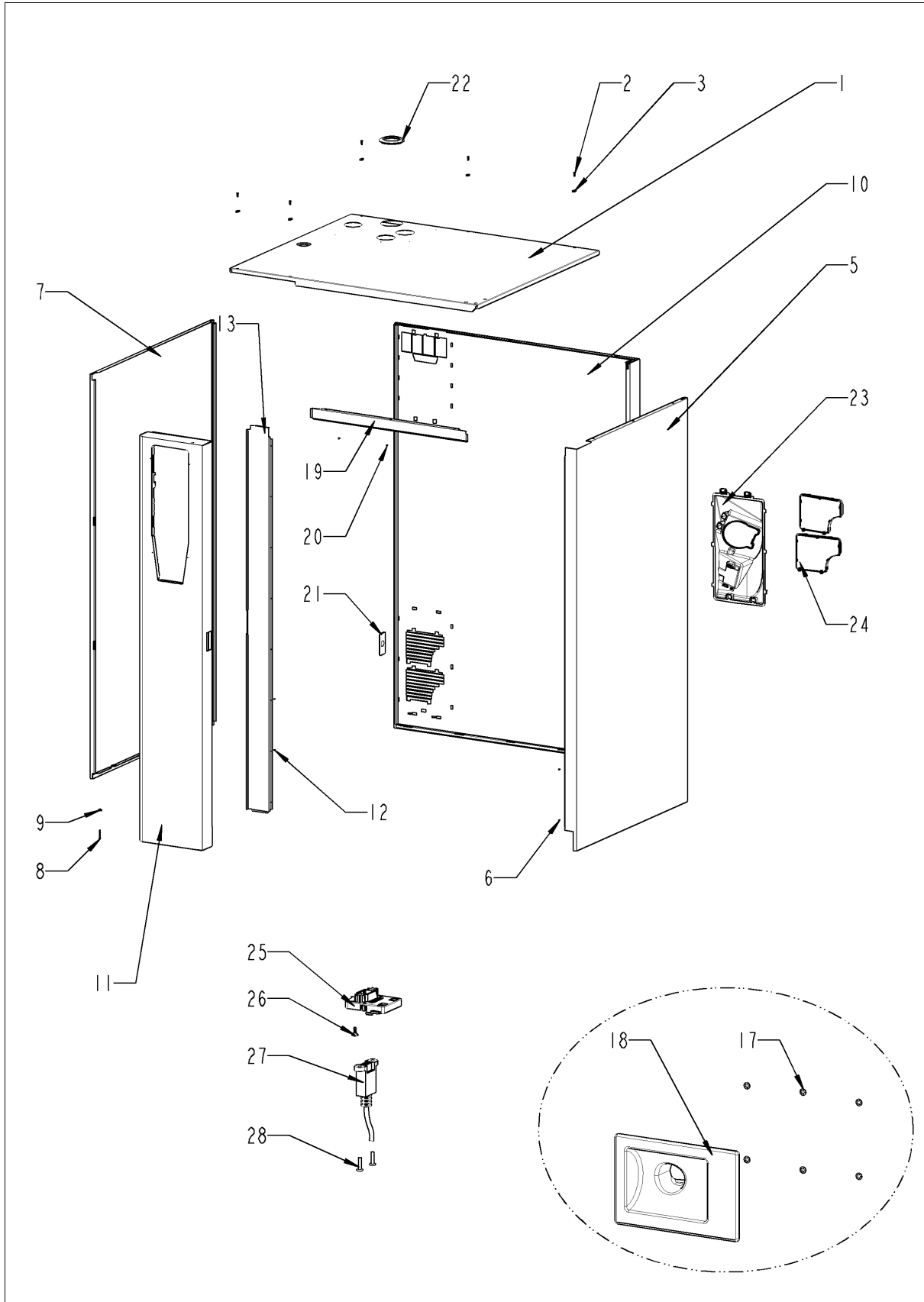
Exterior cabinet



Exterior cabinet

Pos.	Part No.	Description	Qty.
3	2039.0111	Foot adjustable, metal, 40 x 40	4
8	10.00.745	Cap nut M6*A2	1
9	1206.0120	Tooth lock washer A6,4	1
13	22.00.767	Vent cover	1
14	16.01.965	Opening mechanism for panel insert	1
15	40.03.385	Frame for air inlet filter	1
16	40.03.392	Cover for air inlet filter	1
17	40.03.366	Cover air outlet	1
18	40.00.454	Door switch 1.65m	1
A		Exterior cabinet	1
C	12.01.142	NSF housing floor units 201-202	1

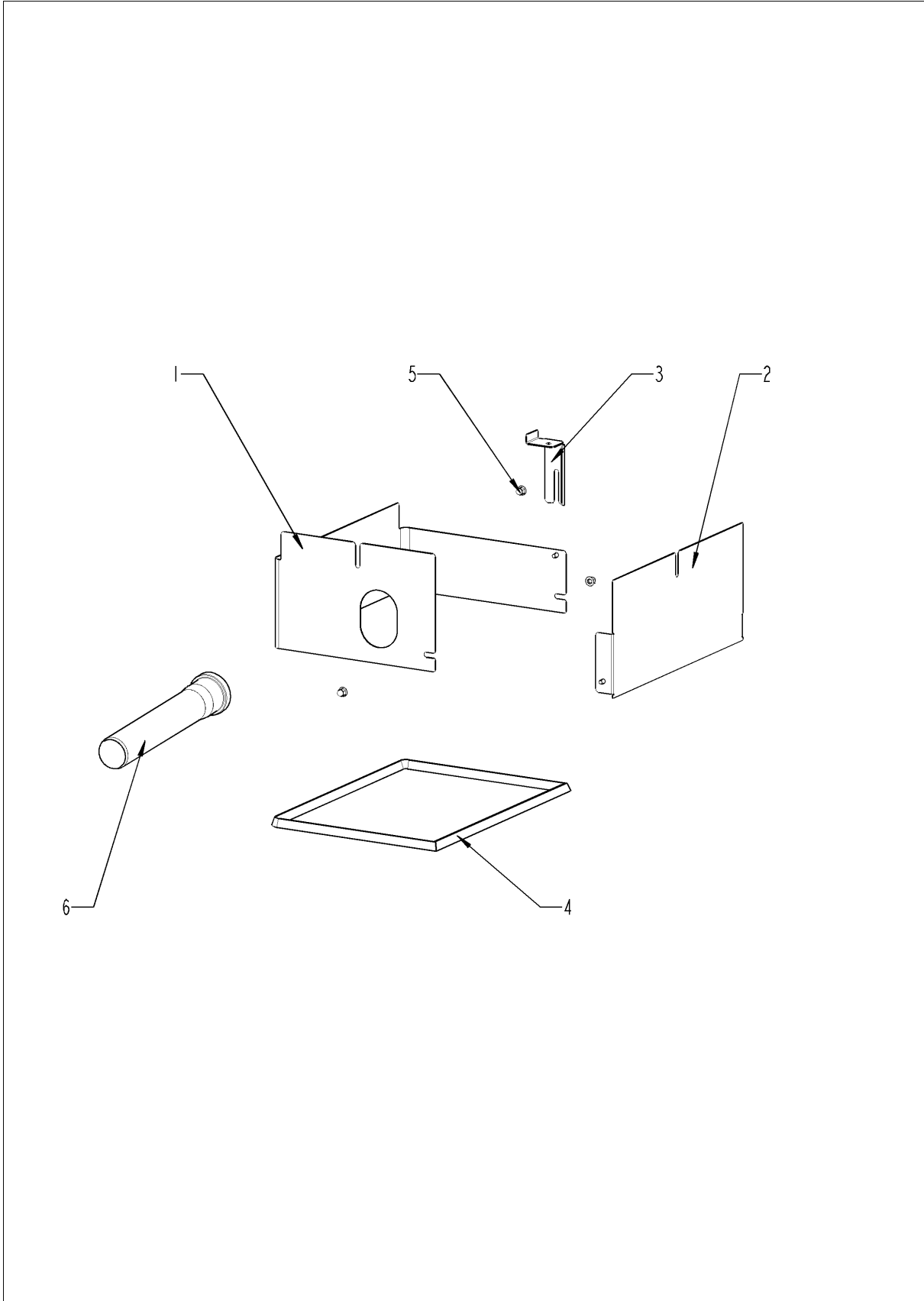
Exterior cabinet



Exterior cabinet

Pos.	Part No.	Description	Qty.
1	16.02.169	Top cover	1
2	1003.2265	Countersunk self tapping screw 4,2x16	5
3	1104.0820	Snap nut 4,2mm	5
4	1004.2160	Hex self tapping screw 4,2x16	4
5	16.00.158	Side panel right	1
6	1603.0166	Rivet 3,2x7,9 CNS closed	8
7	16.00.139	Side panel left	1
8	10.00.992	Hex self tapping screw B4,2x32	2
9	1104.0820	Snap nut 4,2mm	2
10	16.01.844	Back panel	1
11	16.01.839	Front panel	1
12	1603.0166	Rivet 3,2x7,9 CNS closed	8
13	16.00.358	Crossbar front panel	1
14	10.00.745	Cap nut M6*A2	2
17	1107.0100	Star lock ø4	8
18	16.01.940	Tulip for handshower with gasket	1
19	16.00.331	Crossbar top	1
20	1603.0166	Rivet 3,2x7,9 CNS closed	4
21	24.02.263	Cover for door latch	1
22	16.01.579	Gasket f. breather tube d=79mm	1
23	40.03.262	Fan housing	1
24	40.02.684	Air inlet filter cpl.	2
25	16.00.329	Cover f. USB interface	1
26	10.00.103	EJOT PT-screw KA 3.5x10	1
27	40.04.047	Interface cable USB 1.6m	1
28	10.00.460	EJOT PT-Screw Torx 3,5x14	2

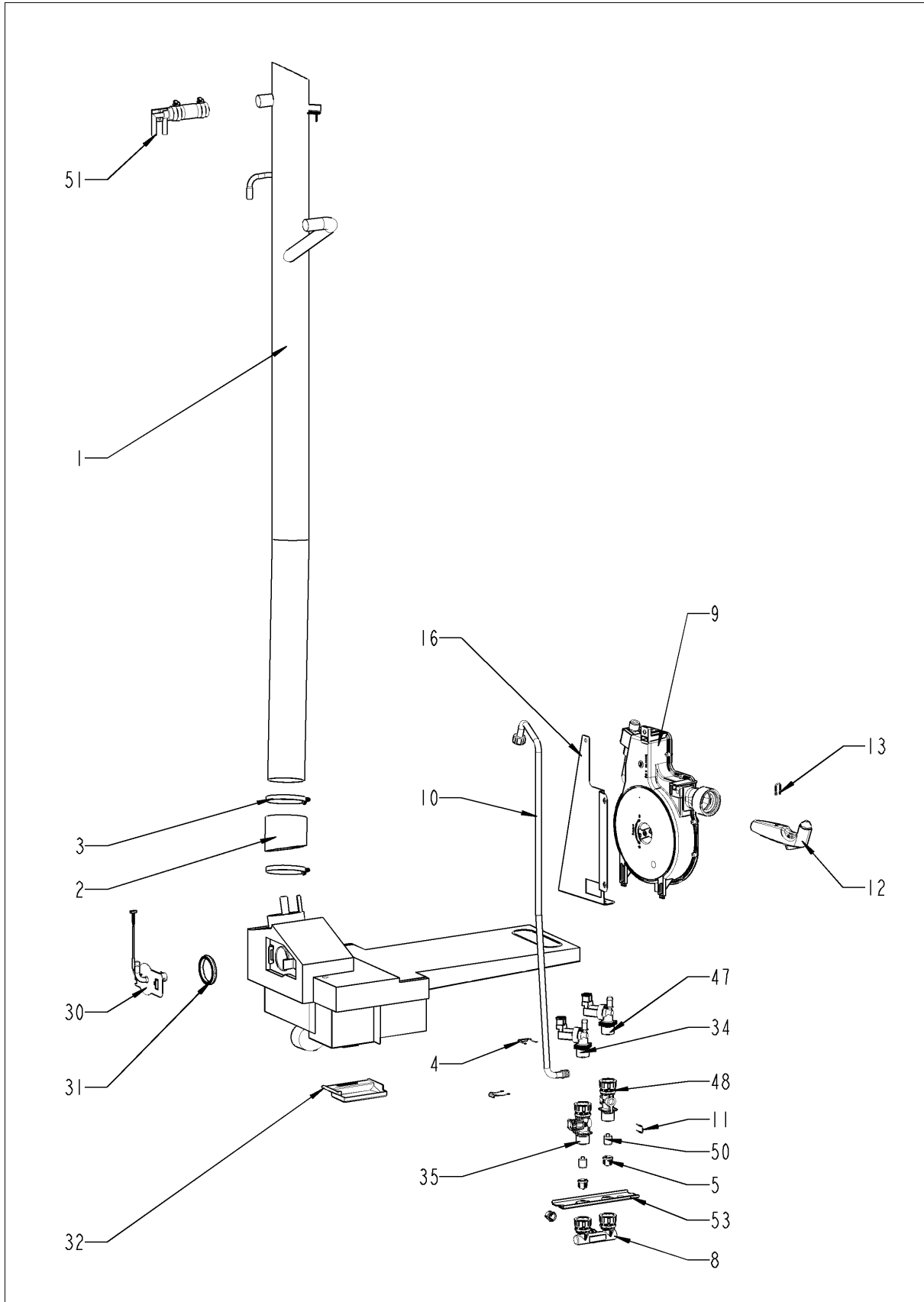
NSF housing floor units 201-202



NSF housing floor units 201-202

Pos.	Part No.	Description	Qty.
1	12.01.153	NSF housing right floor units 201-202	1
2	12.01.154	NSF housing left floor units 201-202	1
3	12.01.151	Fixing angle NSF housing floor units 201-202	1
4	12.01.140	Gasket NSF housing floor units 201-202	1
5	10.00.745	Cap nut M6*A2	3
6	2070.0054	HT pipe, DN 50, 250 mm	1

Water



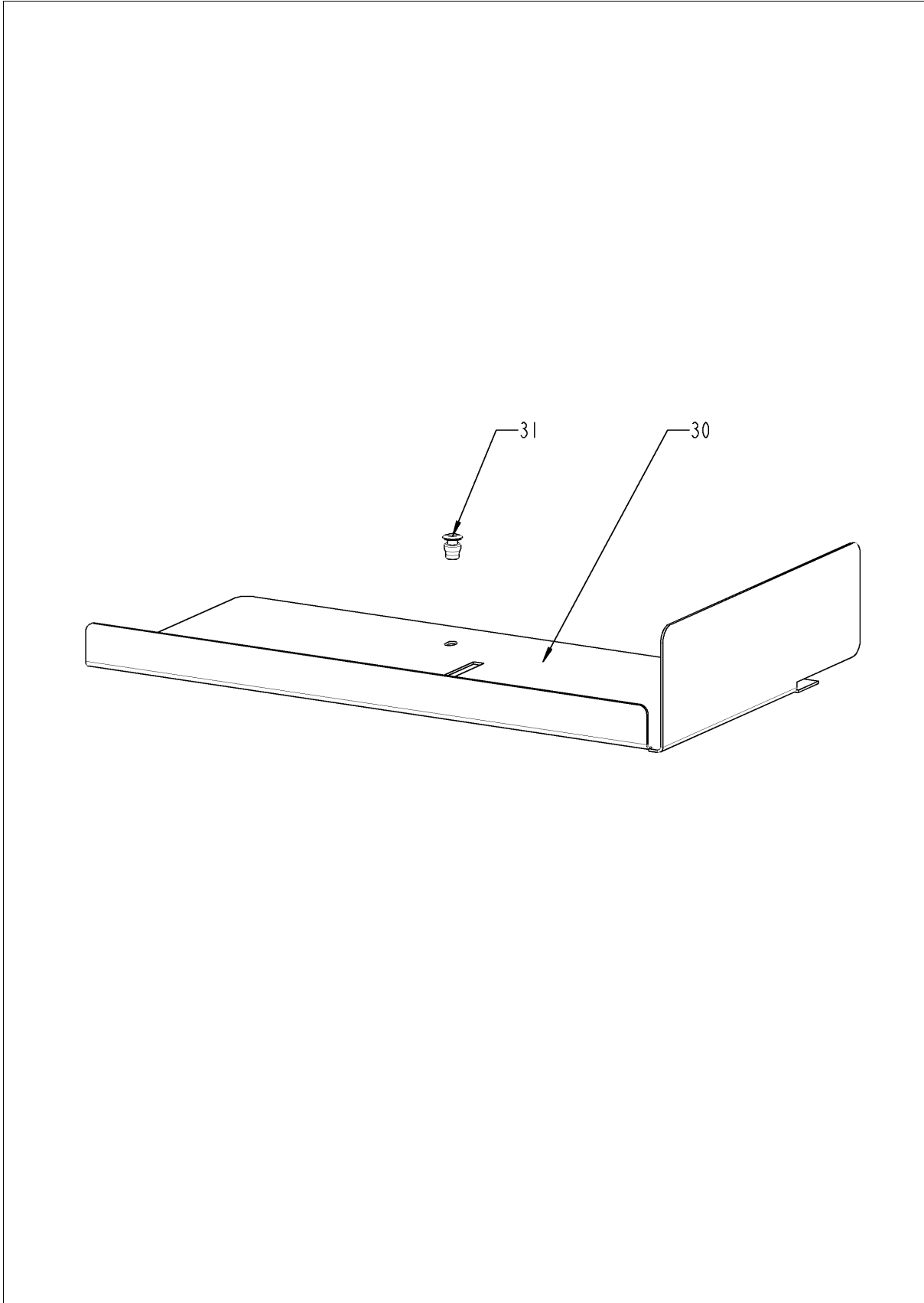
Water

Pos.	Part No.	Description	Qty.
1	54.00.984	Ventilation pipe	1
2	54.01.045	Hose 76x5mm	1
3	2066.0505	Hose clamp 70-90mm	2
6	2066.0205	Hose clamp 8-16x9 mm SW 7mm	1
8	8664.1301	T-fitting water connection	1
9	50.01.239	Hand shower roll guide *lead free*	1
10	50.01.373	Connect. pipe f. hand shower roll guide	1
10	50.01.213	Connect. pipe f. hand shower roll guide	1
11	50.00.085	Plug-in spring f. hand shower roll guide	1
12	50.00.130	Hand shower	1
13	50.00.156	Clamp f. hand shower roll guide	1
16	50.00.278	Mounting device f. hand sh. roll guide	1
17	1106.0803	Hex combination nut M6 galv	1
18	1006.0760	Hex screw M6x16	1
19	1306.0222	Washer A6,4x15x1,5	1
20	50.00.548	Hose ø10x2x500 f. hand shower	1
21	2066.0527	Hose clamp ø14mm	1
22	10.00.661	Edge protection profile	1
23	10.00.099	Hex screw M8x12	2
24	1308.0160	Washer A8,4	2
30	54.01.254	Inspection lid, quenching nozzle, B2	1
31	54.01.168	Gasket f. inspection lid quenching	1
32	54.01.191	Collecting pan	1
33	10.00.745	Cap nut M6*A2	1
34	50.01.147	Single solenoid valve	1
35	50.00.072	Water distribution vert roll guide con.	1
38	2067.0050	Pressure hose d10mm	2
39	2067.0050	Pressure hose d10mm	.84
47	50.01.146	Single solenoid valve	1
48	50.00.073	Water distribution vert w/o roll guide con.	1
49	2067.0050	Pressure hose d10mm	.85
50	50.00.078	Non return valve DW16/DN12	2
51	8354.1304	Venting valve for steam generator	1
52	1900.0202	Water filter	3
53	50.01.543	Mounting device f. water distribution	1
54	50.00.086	Locking plate f. water distribution	2

Water

Pos.	Part No.	Description	Qty.
55	2022.0101	Grommet d8mm	1
56	10.00.991	Sealing cap	1

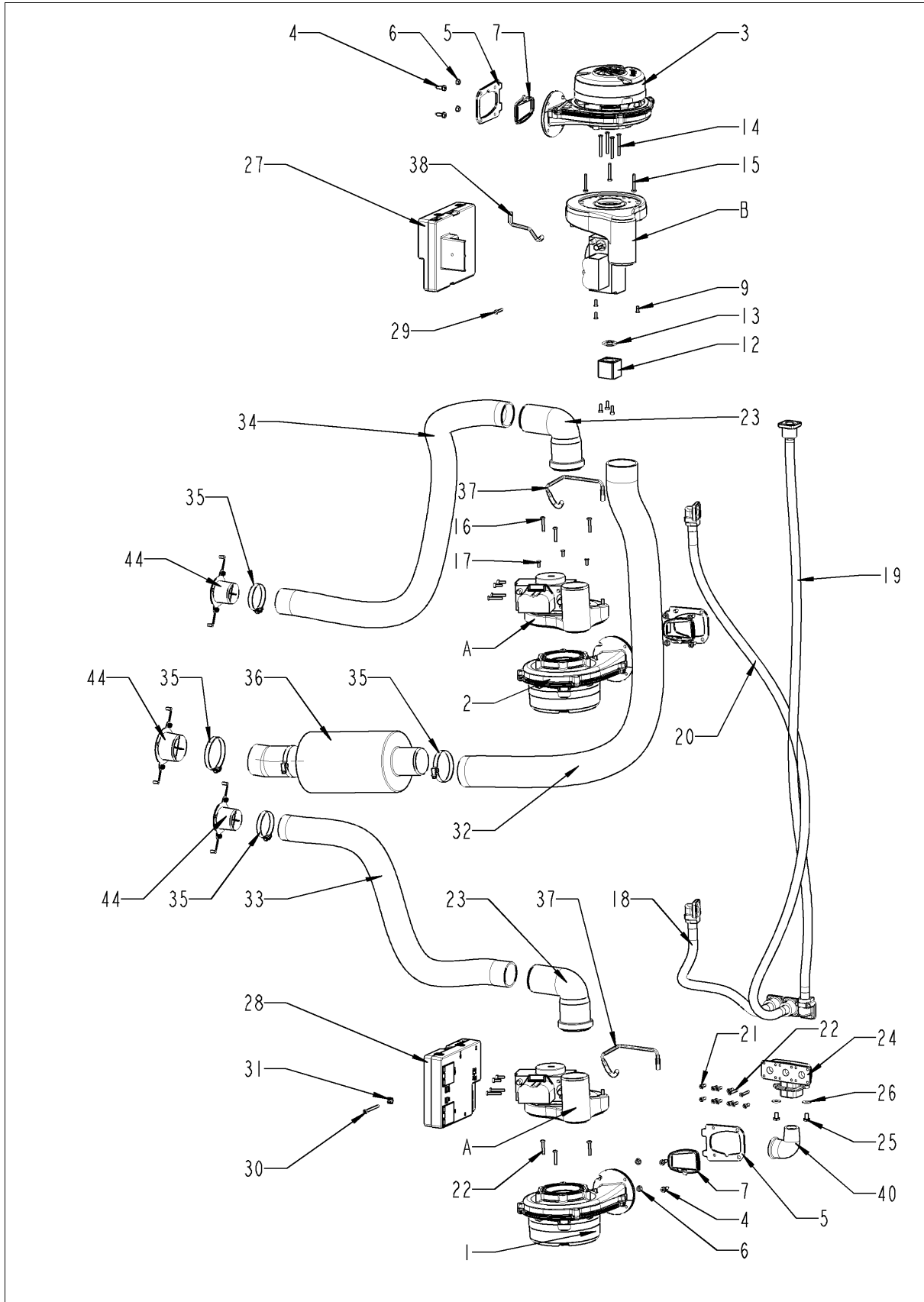
CleanJet + Care



CleanJet + Care

Pos.	Part No.	Description	Qty.
30	12.00.229	Cover for CleanJet pump opening	1
31	1603.0166	Rivet 3,2x7,9 CNS closed	2

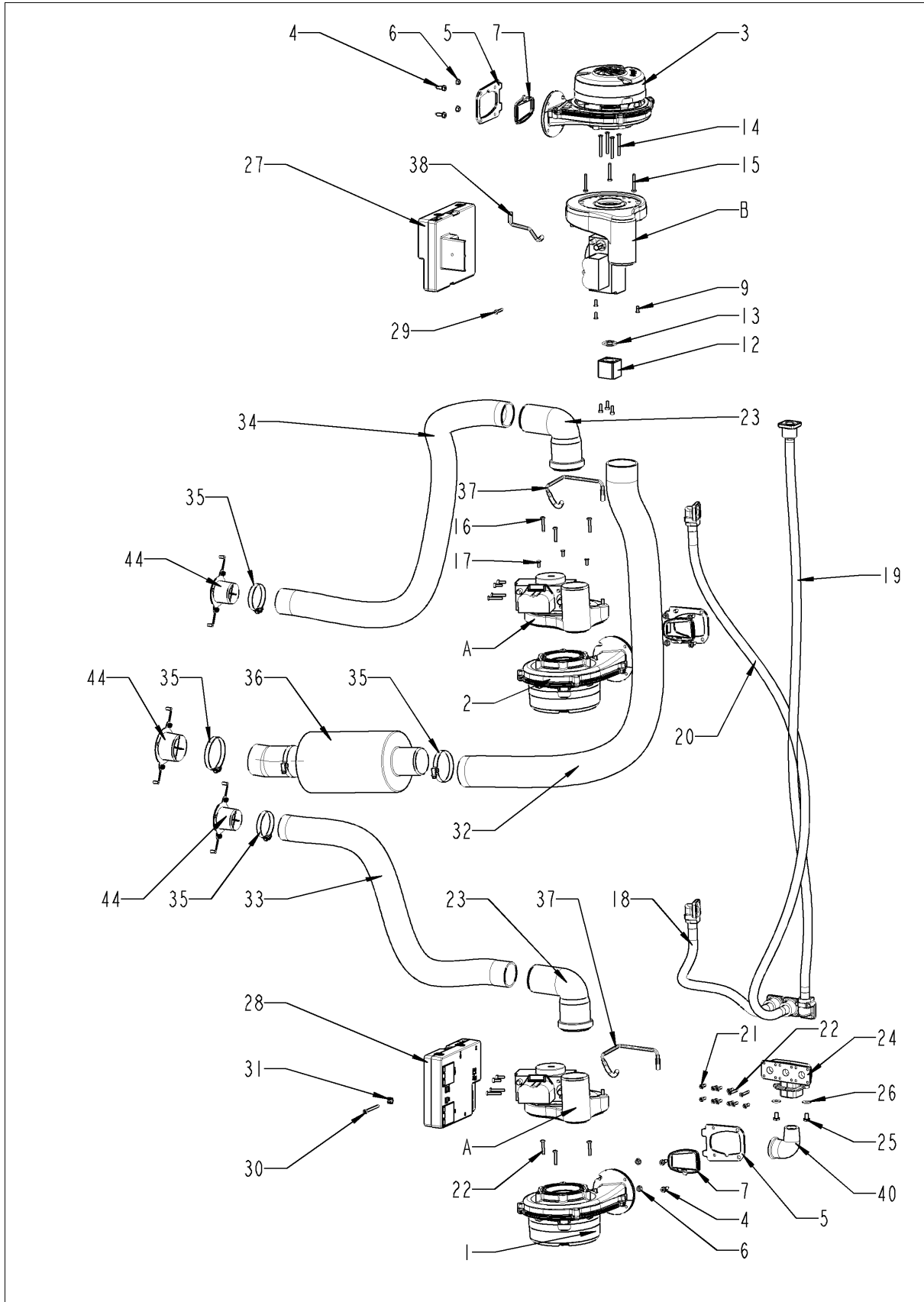
Gas parts



Gas parts

Pos.	Part No.	Description	Qty.
1	70.00.566	Blower for burner NRG118	1
2	70.00.566	Blower for burner NRG118	1
3	70.00.566	Blower for burner NRG118	1
4	10.00.990	Hex screw M5x16 Torx T20	6
5	70.00.495	Flange f. burner blower RG118	3
6	10.01.065	Hex nut M5	6
7	70.00.497	Gasket f. blower burner	3
9	10.00.065	Countersunk screw Torx T20 M4x12	3
12	70.00.637	Spacer sleeve f. gas burner blower	1
13	70.00.262	O-ring 21.89x2.62	2
14	10.00.068	Countersunk screw Torx T20 M4x40	4
15	10.00.064	Pan head screw Torx T20 M4x30	3
16	10.00.064	Pan head screw Torx T20 M4x30	6
17	10.00.065	Countersunk screw Torx T20 M4x12	6
18	70.00.531	Corrugated hose 390mm	1
19	70.00.530	Corrugated hose 1250mm	1
20	70.00.201	Corrugated hose 1050mm	1
21	10.00.061	Pan head screw Torx T20 M4x12	18
22	10.00.063	Pan head screw Torx T20 M4x25	6
23	70.00.301	Combustion air angle pipe hot air	2
24	74.00.881	Gas connection manifold 3x3/4"	1
25	1006.0762	Hex screw M6x10	2
26	1306.0222	Washer A6,4x15x1,5	2
27	74.00.883	Automatic ignition controller	1
28	74.00.883	Automatic ignition controller	1
29	10.00.062	Pan head screw Torx T20 M4x20	1
30	10.00.564	Pan head screw Torx T20 M4x45	1
31	1104.0801	Cage nut M4	1
32	70.00.147	Air hose D50x1550mm	1
33	70.00.517	Air hose D50x1000mm	1
34	70.00.135	Air hose D50x1100mm	1
35	2066.0504	Hose clamp 40-60mm	3
36	70.00.703	Sound absorber blower steam generator	1
37	70.00.624	Silicone hose ø8x1,6x141mm	2
38	70.00.623	Silicone hose ø8x1,6x115mm	1
40	70.00.188	Hose fitting 3/4"-3/4"	1

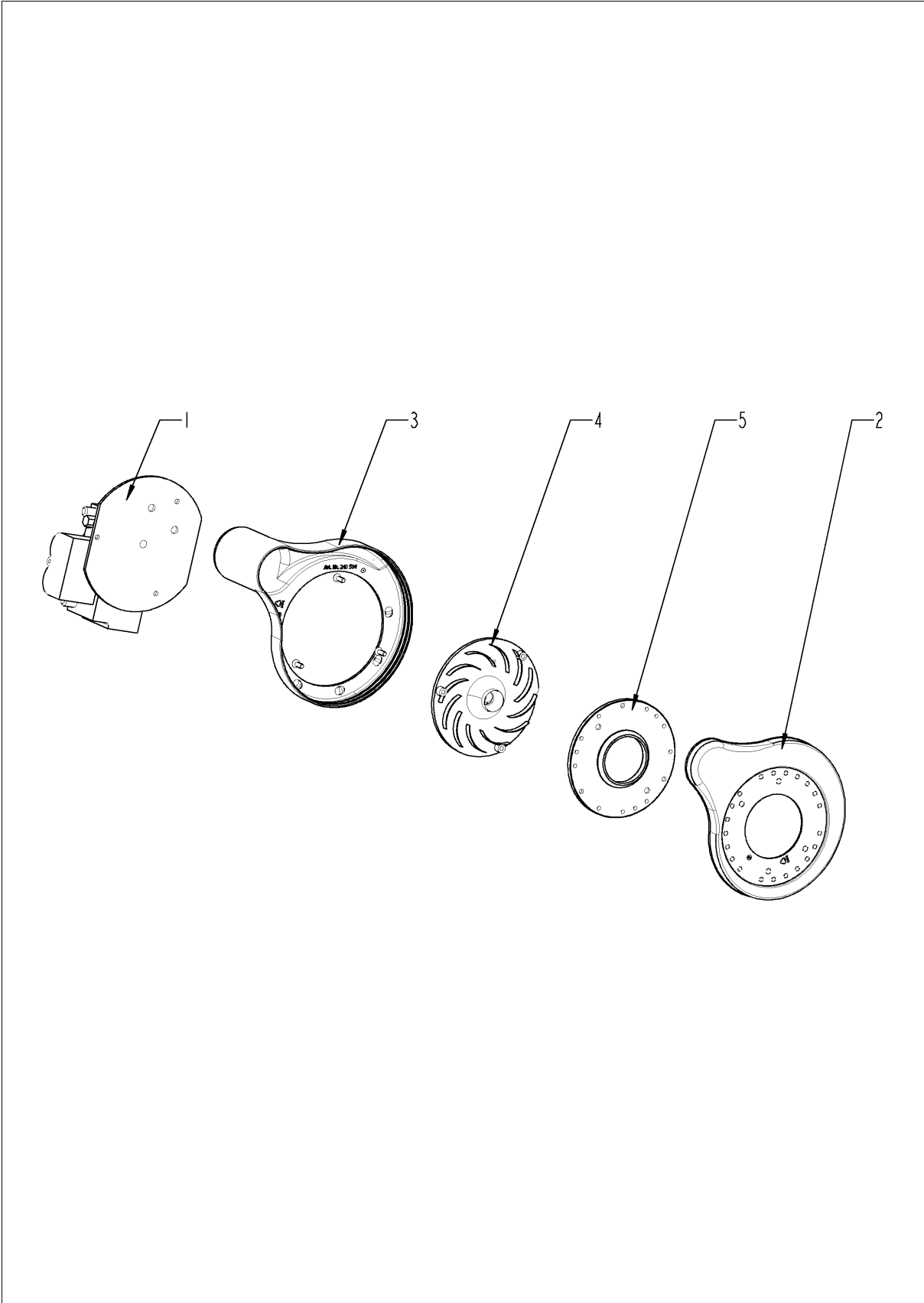
Gas parts



Gas parts

Pos.	Part No.	Description	Qty.
41	1500.1610	Pipe 3/4" x 80	1
44	70.00.662	Air hose fixing device 50mm	3
A		Gas valve RH	2
B		Gas valve SEP	1

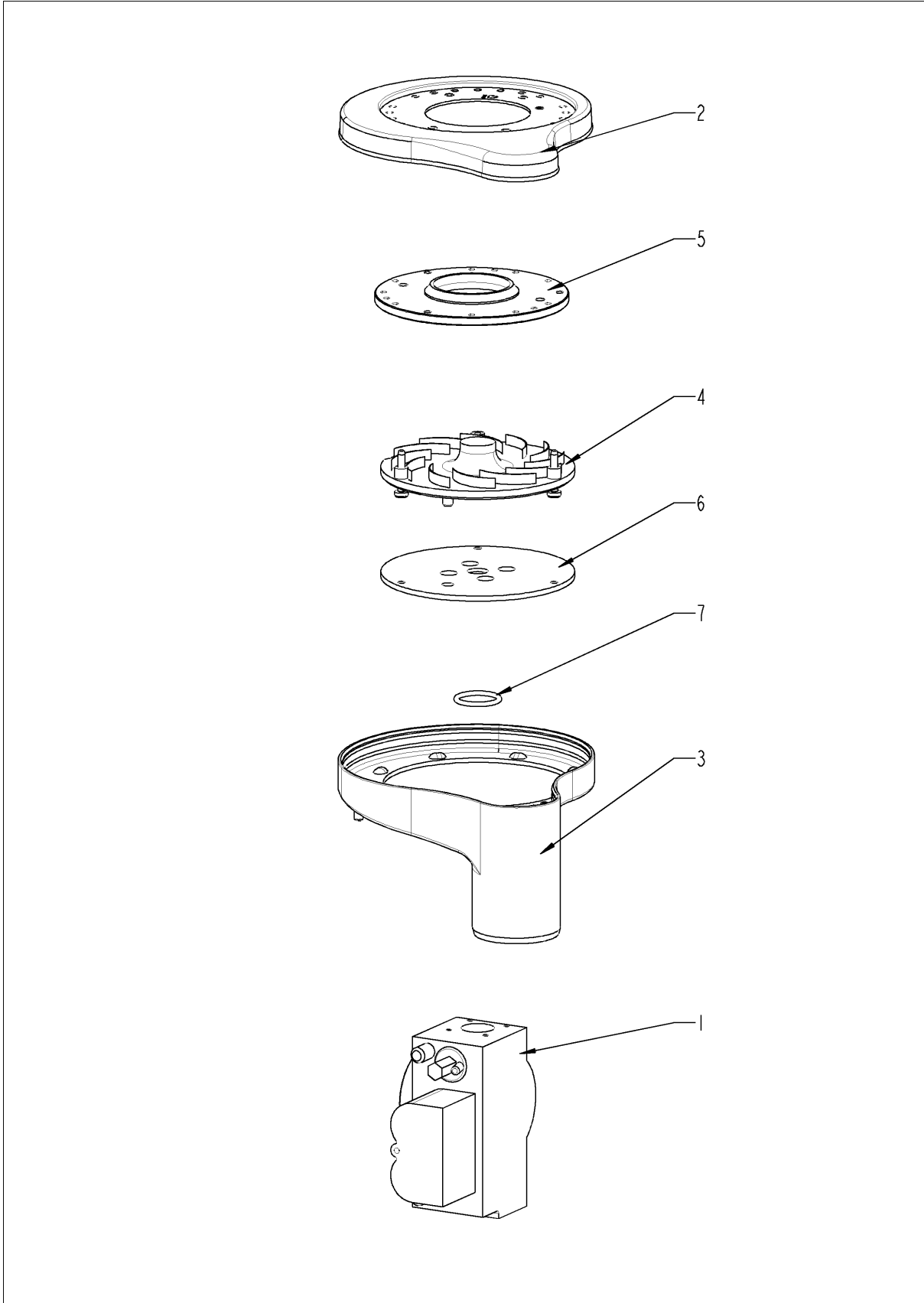
Gas valve



Gas valve

Pos.	Part No.	Description	Qty.
1	70.00.626	Gas valve RH	1
2	70.00.255	Premix chamber cover gas f. RG130	2
3	70.00.030	Premix chamber gas f. RG130	2
4	70.00.106	Premix disc gas	1
5	70.00.256	Disc premix chamber-blower RG130	1

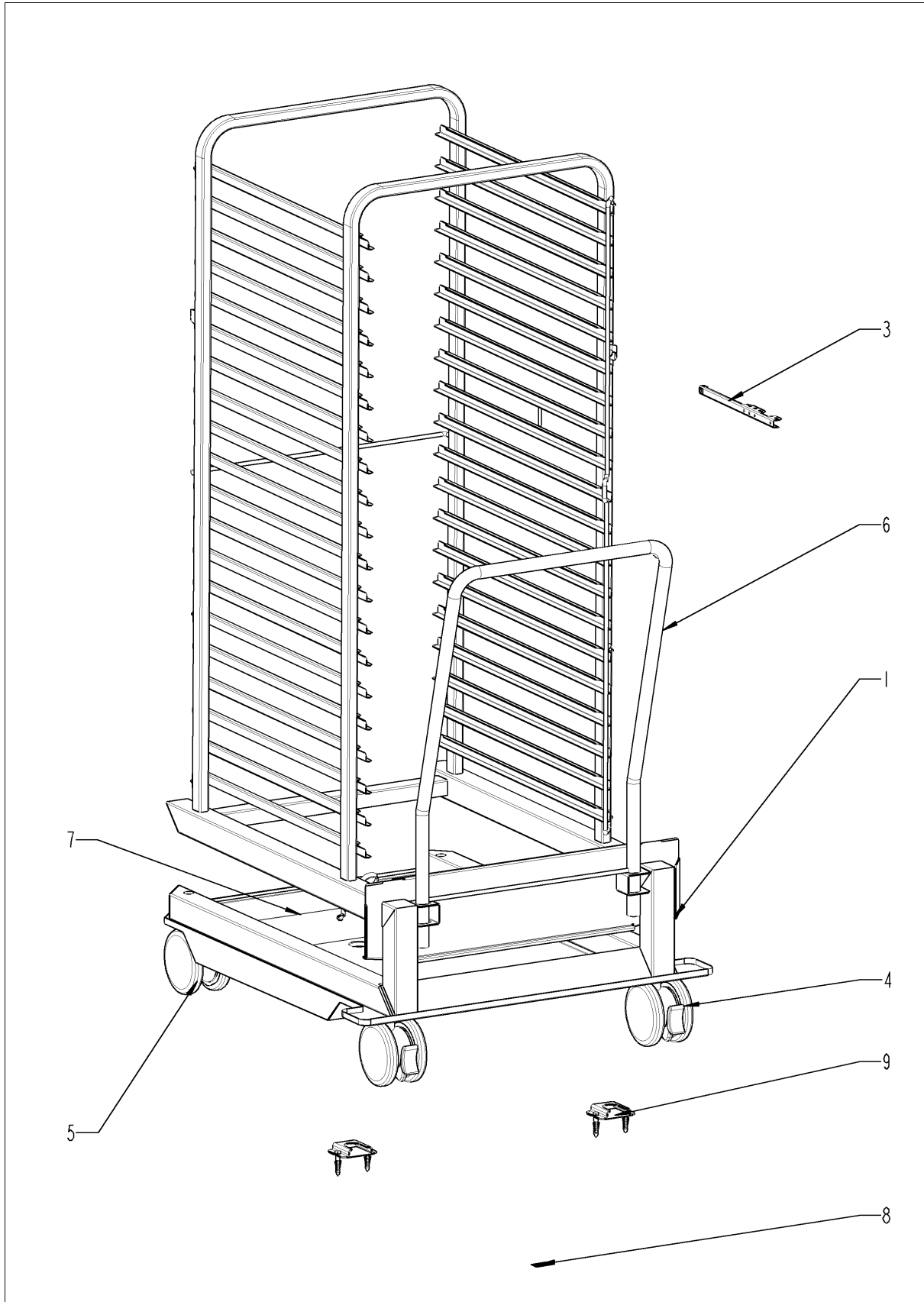
Gas valve



Gas valve

Pos.	Part No.	Description	Qty.
1	70.00.625	Gas valve SEP	1
2	70.00.255	Premix chamber cover gas f. RG130	1
3	70.00.030	Premix chamber gas f. RG130	1
4	70.00.106	Premix disc gas	1
5	70.00.256	Disc premix chamber-blower RG130	1
6	70.00.108	Disc gas valve-premix chamber	1
7	70.00.261	O-ring 17x1.5	1

Standard accessory



Standard accessory

Pos.	Part No.	Description	Qty.
1	60.22.086V	Mobile oven rack type 202	1
4	60.60.100	Castor with brake ø125mm	1
5	60.60.101	Castor without brake ø125mm	1
6	60.22.072	Handle for mobile oven rack	1
7	60.22.223	Drip collector	1
8	10.01.196	Sticker set	1
9	8700.0317	Floor fixing for units	1
10	60.71.382	Water connection kit, floor unit G/USA	1
11	60.72.406	Holder for handle mobile oven rack Type 202	1

Index

Part-no.	Description	Page
24.00.701	Additional gasket f. trolley	29
22.00.951	Air baffle	23
22.00.781	Air baffle support	23
70.00.517	Air hose D50x1000mm	43
70.00.135	Air hose D50x1100mm	43
70.00.147	Air hose D50x1550mm	43
70.00.662	Air hose fixing device 50mm	45
40.02.684	Air inlet filter cpl.	33
22.00.916	Air inlet pipe	11
22.00.836	Air sucking ring f. air baffle	25
10.00.696	Allen screw M4x6 w. Precoat 85	19, 27
74.00.883	Automatic ignition controller	43
16.01.844	Back panel	33
70.00.566	Blower for burner NRG118	43
74.00.830	Burner hot air	17
70.00.472	Burner pipe	13
72.00.088	Burner steam gen.	13
40.03.995	Bus cable 0.85m	7
40.04.089	Bus cable 1.15m	7
40.03.996	Bus cable 1.15m	7
20.01.411	Bushing for motor mounting bar	21
40.04.048	Buzzer	7
10.00.111	Cable clip long	11
10.00.112	Cable clip short	21
40.00.320	Cable connection M20x1.5	7
40.03.818	Cable control harness	9
40.04.116	Cable harness isolating transformer	9
1104.0801	Cage nut M4	43
10.00.090	Cap f. Torx T30	27
10.01.076	Cap nut M5*A2	23
10.00.745	Cap nut M6*A2	31, 33, 35, 37
60.60.100	Castor with brake ø125mm	51

Index

Part-no.	Description	Page
60.60.101	Castor without brake ø125mm	51
50.00.156	Clamp f. hand shower roll guide	37
10.00.087	Clamp strap f. sensor	23
44.01.031	Closing cap for steam generator	13
54.01.191	Collecting pan	37
70.00.301	Combustion air angle pipe hot air	43
2001.0109	Compression spring	27
50.01.373	Connect. pipe f. hand shower roll guide	37
50.01.213	Connect. pipe f. hand shower roll guide	37
40.03.761	Contactora 3TG1010-3AK2	9
87.01.006	Control panel insert with overlay *RAT*	5
42.00.161	Control pcb	5
40.03.348	Control transformer T1	9
40.03.425	Cooling fan	7
40.03.948	Cooling fan with NTC	7
1315.0104	Copper washer 16x20x1,5	23
70.00.531	Corrugated hose 390mm	43
70.00.201	Corrugated hose 1050mm	43
70.00.530	Corrugated hose 1250mm	43
1005.1966	Countersunk screw Torx M5x16	29
10.00.065	Countersunk screw Torx T20 M4x12	43
10.00.068	Countersunk screw Torx T20 M4x40	43
1003.2265	Countersunk self tapping screw 4,2x16	33
40.03.366	Cover air outlet	31
16.00.329	Cover f. USB interface	33
40.03.392	Cover for air inlet filter	31
12.00.229	Cover for CleanJet pump opening	41
24.02.263	Cover for door latch	33
16.00.358	Crossbar front panel	33
16.00.331	Crossbar top	33
16.00.282	Dial	5
70.00.108	Disc gas valve-premix chamber	49

Index

Part-no.	Description	Page
70.00.256	Disc premix chamber-blower RG130	47, 49
5110.1027	Distance plate for front panel	5
24.00.126	Door	27
24.00.145	Door bolt	27
24.00.048	Door bolt	27
87.00.540	Door bolt cpl.	27
24.01.351	Door catch	27
20.00.399	Door gasket	23
24.00.136	Door handle	27
24.01.350	Door lock	27
24.00.133	Door mounting support top	27
24.00.159	Door setting bolt	29
40.00.454	Door switch 1.65m	31
22.00.958	Drain hose for humidity control	11
44.01.231	Drain hose steam generator	13
60.22.223	Drip collector	51
40.02.515	Dry up protector 315°F/157°C	9
74.00.873	Earth electrode, hot air	19
10.00.661	Edge protection profile	37
10.00.103	EJOT PT-screw KA 3.5x10	33
10.00.460	EJOT PT-Screw Torx 3,5x14	33
40.01.483	Electronic noise filter	9
44.00.207	Emptying pump	13
40.03.262	Fan housing	33
40.03.513	Fan motor	21
22.00.829	Fan wheel	21
44.01.371	Filling level electrode 135mm	13
12.01.151	Fixing angle NSF housing floor units 201-202	35
44.01.181	Fixing angle steam generator	13
40.03.780	Fixing clip core temp. cable	25
40.01.579	Fixing clip f. pcb	9
24.01.346	Fixing device f. magnet with magnet, adjustable	29

Index

Part-no.	Description	Page
44.01.248	Fixing device f. pump steam generator	13
24.00.507	Fixing device middle f.inter. glass pane	29
44.00.517	Fixing plate steam generator thermostat	13
70.00.495	Flange f. burner blower RG118	43
22.00.721	Flange f. motor shaft gasket	21
8700.0317	Floor fixing for units	51
2039.0111	Foot adjustable, metal, 40 x 40	31
40.03.385	Frame for air inlet filter	31
16.01.839	Front panel	33
40.01.487	Fuse holder 2pol	9
40.02.512	Fuse holder 2x6.3A	9
40.01.873	Fuse SC-15A 10x38	9
74.00.881	Gas connection manifold 3x3/4"	43
70.00.626	Gas valve RH	47
70.00.625	Gas valve SEP	49
74.00.290	Gasket electrode hot air	19
70.00.497	Gasket f. blower burner	43
16.01.579	Gasket f. breather tube d=79mm	33
72.00.067	Gasket f. burner carrier	13
74.00.296	Gasket f. heat exchanger below	17
22.00.881	Gasket f. hum. meas. Pipe	11
44.00.250	Gasket f. ignition electrode	13
54.01.168	Gasket f. inspection lid quenching	37
40.00.091	Gasket frame w. glass a. gaskets	23
24.00.194	Gasket glass pane/trolley	29
74.00.869	Gasket hot air heat exchanger/interior cabinet	17
5110.1029	Gasket mode switch	5
12.01.140	Gasket NSF housing floor units 201-202	35
2022.0101	Grommet d8mm	39
3024.0201	Halogen bulb 300°C	23
50.00.130	Hand shower	37
50.01.239	Hand shower roll guide *lead free*	37

Index

Part-no.	Description	Page
60.22.072	Handle for mobile oven rack	51
1104.0122	Hex combination nut M4 galv	11, 13
1105.0121	Hex combination nut M5 galv	13
1106.0803	Hex combination nut M6 galv	37
1104.0120	Hex nut M4	13
10.00.100	Hex nut M4, self-locking	23
10.01.065	Hex nut M5	9, 17, 21, 43
1105.0120	Hex nut M5	13
10.00.709	Hex nut M6 w. locking	9, 13, 21
3014.0302	Hex nut M10 for dry-up protector	9
3014.0327	Hex nut M10x1,0	9, 23
10.00.612	Hex nut M16 flat	23
10.00.697	Hex screw M5x10 w. precoat 85	27
10.00.990	Hex screw M5x16 Torx T20	43
1006.0762	Hex screw M6x10	13, 43
1006.0760	Hex screw M6x16	37
10.00.099	Hex screw M8x12	37
10.00.565	Hex screw M8x20	21
1008.0761	Hex screw M8x25	27
1008.0766	Hex screw M8x30	27
10.00.445	Hex screw M8x80	7
1004.2160	Hex self tapping screw 4,2x16	33
10.00.992	Hex self tapping screw B4,2x32	33
60.72.406	Holder for handle mobile oven rack Type 202	51
54.01.045	Hose 76x5mm	37
2066.0205	Hose clamp 8-16x9 mm SW 7mm	37
2066.0518	Hose clamp 30mm	13
2066.0519	Hose clamp 35,6mm	13
2066.0504	Hose clamp 40-60mm	43
2066.0516	Hose clamp 60-80 mm	13
2066.0505	Hose clamp 70-90mm	37
10.00.982	Hose clamp D=18.2	13

Index

Part-no.	Description	Page
2066.0527	Hose clamp ø14mm	11, 15, 37
2066.0530	Hose clamp ø16.4mm	15
2066.0526	Hose clamp ø46mm	13
70.00.188	Hose fitting 3/4"-3/4"	43
22.00.525	Hose set f. humidity control	11
50.00.548	Hose ø10x2x500 f. hand shower	37
74.00.806	Hot air heat exchanger below	17
74.00.802	Hot air heat exchanger top	17
2070.0054	HT pipe, DN 50, 250 mm	35
22.00.725	Humidity control cpl.	11
44.01.237	Ignition electrode steam generator	13
74.00.034	Ignitionelectrode, hot air	19
24.00.212	Inner glass pane	29
22.00.908	Inner humidity meas. Piece	11
54.01.254	Inspection lid, quenching nozzle, B2	37
40.03.290	Installation rail for Contactor	9
72.00.077	Insulation f. burner steam gen.	13
40.04.047	Interface cable USB 1.6m	33
20.01.755	Isolation for mounting plate for motor	21
2062.0331	Junction pressure hose GS 10	15
2760.1370	Latch hook for air baffle	25
50.00.086	Locking plate f. water distribution	37
74.00.868	Mating flange heat exchanger	17
40.04.041	Meat probe sensor	23
4007.0620	Membrane DGC 29	9
4007.0621	Membrane DGC 36	9
60.22.086V	Mobile oven rack type 202	51
22.00.083	Motor shaft gasket	21
50.00.278	Mounting device f. hand sh. roll guide	37
22.00.882	Mounting device f. pressure sensor	11
50.01.543	Mounting device f. water distribution	37
22.00.722	Mounting support f. gasket flange	21

Index

Part-no.	Description	Page
50.00.078	Non return valve DW16/DN12	37
12.01.142	NSF housing floor units 201-202	31
12.01.154	NSF housing left floor units 201-202	35
12.01.153	NSF housing right floor units 201-202	35
70.00.261	O-ring 17x1.5	49
70.00.262	O-ring 21.89x2.62	43
22.00.837	O-ring for humidity control	11
16.01.965	Opening mechanism for panel insert	31
1008.0768	Ornamental screw M8x16	27
1008.0769	Ornamental screw M8x30	27
22.00.850	Outer humidity meas. Piece	11
54.01.117	Outlet sieve	23
10.00.365	Pan head screw Torx M3x20	9
10.00.061	Pan head screw Torx T20 M4x12	43
10.00.062	Pan head screw Torx T20 M4x20	43
10.00.063	Pan head screw Torx T20 M4x25	43
10.00.064	Pan head screw Torx T20 M4x30	43
10.00.564	Pan head screw Torx T20 M4x45	7, 43
1500.1610	Pipe 3/4" x 80	45
24.01.259	Plastic buffer 8,1mm for door	29
50.00.085	Plug-in spring f. hand shower roll guide	37
40.00.464	Potentiometer CT	5
40.01.596	Power supply cable 3x2,5mm ² 3m	7
40.03.468	Power transformer	7
24.00.178	Pre heat mechanism f. door cpl.	29
70.00.255	Premix chamber cover gas f. RG130	47, 49
70.00.030	Premix chamber gas f. RG130	47, 49
70.00.106	Premix disc gas	47, 49
2067.0050	Pressure hose d10mm	37
3017.1011	Pressure sensor for humidity control Huba 401	11
2005.0106	Protective grid for cooling fan	7
2118.1000	Pump connection spout	15

Index

Part-no.	Description	Page
8354.1320	Pump connection spout cpl.	13
40.00.098	Reflector f. interior light	23
10.00.515	Rivet 3,2x5 A4	25
1603.0166	Rivet 3,2x7,9 CNS closed	33, 41
1604.0167	Rivet 4x10	25
10.00.041	Rivet nut M5 hexagon closed.....	29
40.01.482	Safety temperature limiter 365°C	9, 23
40.01.317	Screen core temperature sensor	23
40.03.782	Screen interior cabinet sensor	23
10.00.991	Sealing cap	39
16.01.908	Sealing f. panel insert	5
16.00.139	Side panel left	33
16.00.158	Side panel right	33
2110.1008	Silicon hose ø10x2mm	15
70.00.623	Silicone hose ø8x1,6x115mm	43
70.00.624	Silicone hose ø8x1,6x141mm	43
50.01.147	Single solenoid valve	37
50.01.146	Single solenoid valve	37
24.00.147	Sleeve for door bolt top	29
1104.0820	Snap nut 4,2mm	33
70.00.703	Sound absorber blower steam generator.....	43
70.00.637	Spacer sleeve f. gas burner blower	43
10.01.049	Square necked mushroom head bolt 6x30	21
1107.0100	Star lock ø4	33
44.00.948	Steam generator insulated	13
44.00.362	Steam hose 70x5	13
44.01.086	Steam pipe	13
10.01.196	Sticker set	51
2120.1259	Stop plug 10mm	15
22.00.491	Surge guard for Meat probe sensor	25
8664.1301	T-fitting water connection	37
40.00.399	Thermocouple humidity	23

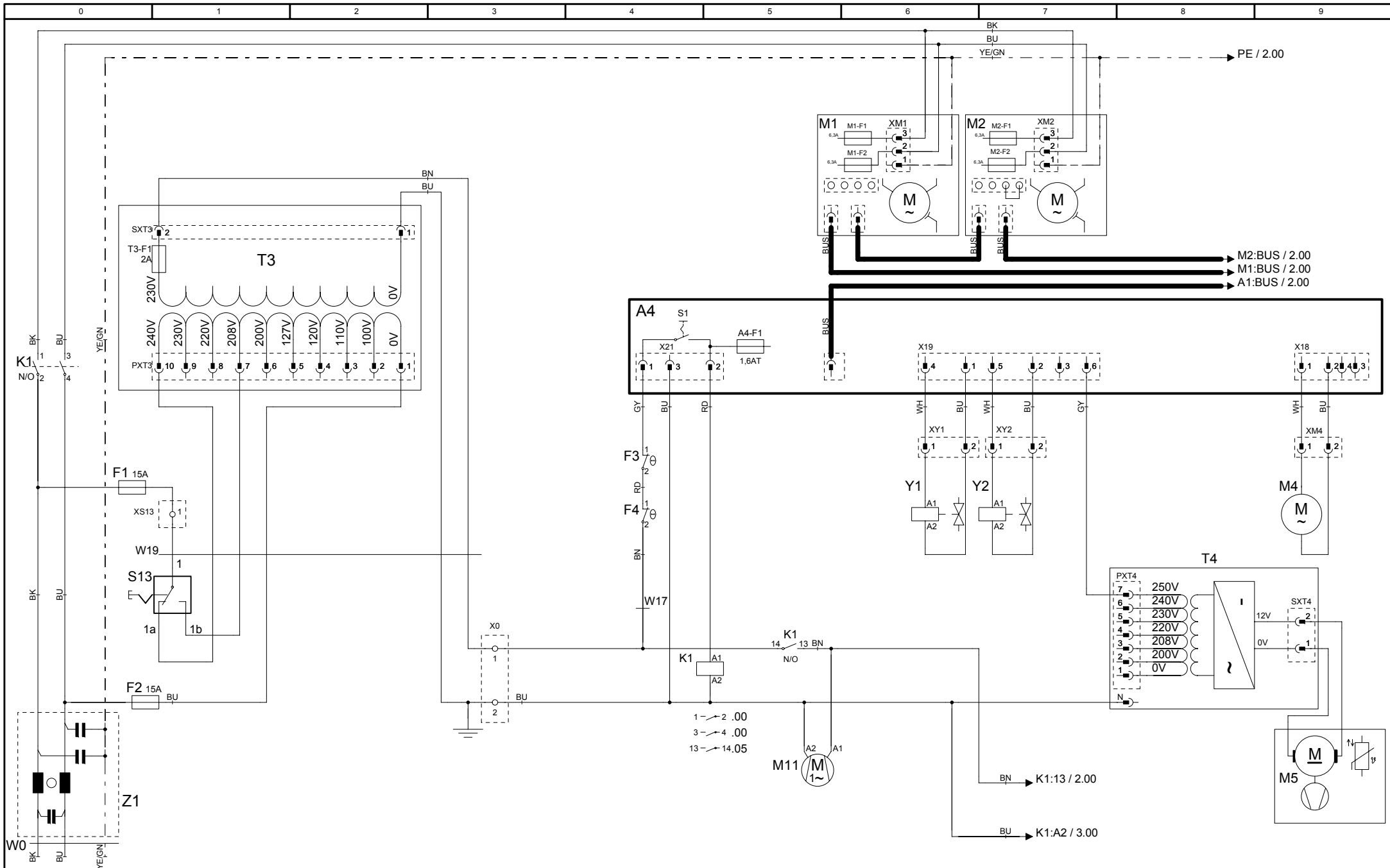
Index

Part-no.	Description	Page
40.03.528	Thermocouple interior cabinet B1	23
40.04.110	Thermocouple steam generator *B5*	13
4005.0101	Tie rap 145 mm	15
1205.0120	Tooth lock washer A5,3	13
1206.0120	Tooth lock washer A6,4	31
16.02.169	Top cover	33
40.03.772	Transformer f. cooling fan	7
16.01.940	Tulip for handshower with gasket	33
22.00.767	Vent cover	11, 31
54.00.984	Ventilation pipe	37
8354.1304	Venting valve for steam generator	37
10.00.744	Washer A4,3 *A4	25
1305.0160	Washer A5,3x10mm	27
1306.0222	Washer A6,4x15x1,5	13, 37, 43
1308.0162	Washer A8,4	21, 27
1308.0160	Washer A8,4	37
60.71.382	Water connection kit, floor unit G/USA	51
50.00.072	Water distribution vert roll guide con.	37
50.00.073	Water distribution vert w/o roll guide con.	37
1900.0202	Water filter	37
40.03.532	Wiring interior light	23

Deckblatt Elektrische Dokumentation, Cover sheet electrical Documentation

Die Elektrische Dokumentation besteht aus: 1. diesem Deckblatt, 2. dem Schaltplan und 3. der Legende der elektrischen Bauteile
The electric documentation contains: 1. this cover sheet, 2. the wiring diagram and 3. the bill of material (BOM)

Deckblatt-Nr. Front Page No.	75-21196	Version	1
Typ / Type	CMP 202G		
Schaltplan Wiring diagram	76-00487	Version	1
Spannung (SPL) Voltage	2AC208 V 60 Hz		
Legende Legend electr. components	78-00775	Version	1
Geräteserialnr. Serial number	G22MH1102	Version	1102
Erstellt am Created at	Jul 5, 2011 3:32 PM	Ersteller Creator	SCHD
Gültig ab Valid from	Aug 30, 2011 3:30 PM	Änderung Modification	

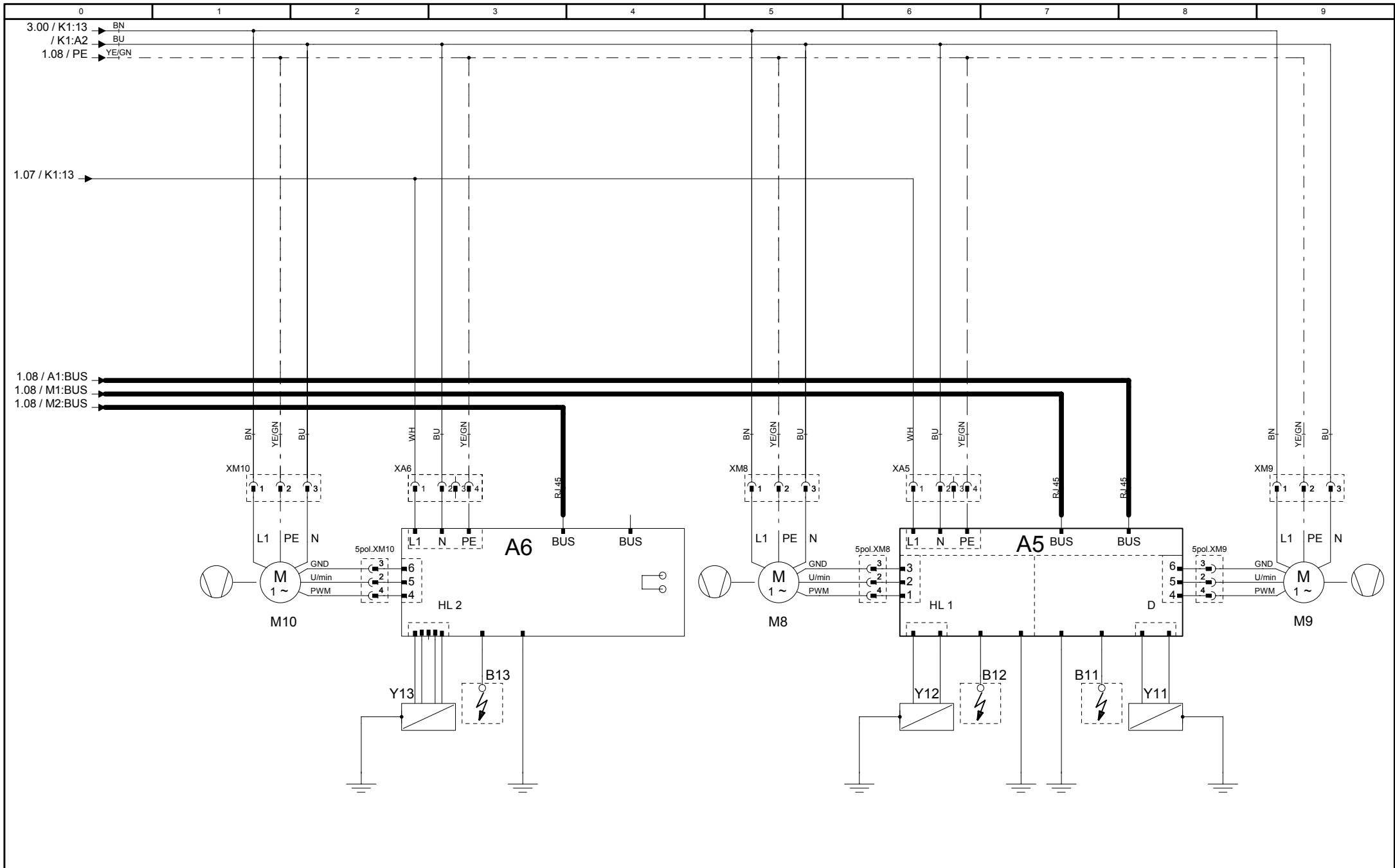


76-00487	
Version	1

MODUL 1	
Leistung/Power	

CMP 202G-UL	
2AC208 V 60 Hz	

Erstellt von	SCHD
Created by	
Datum	12.10.2011
Date	
Blatt	1
Page	

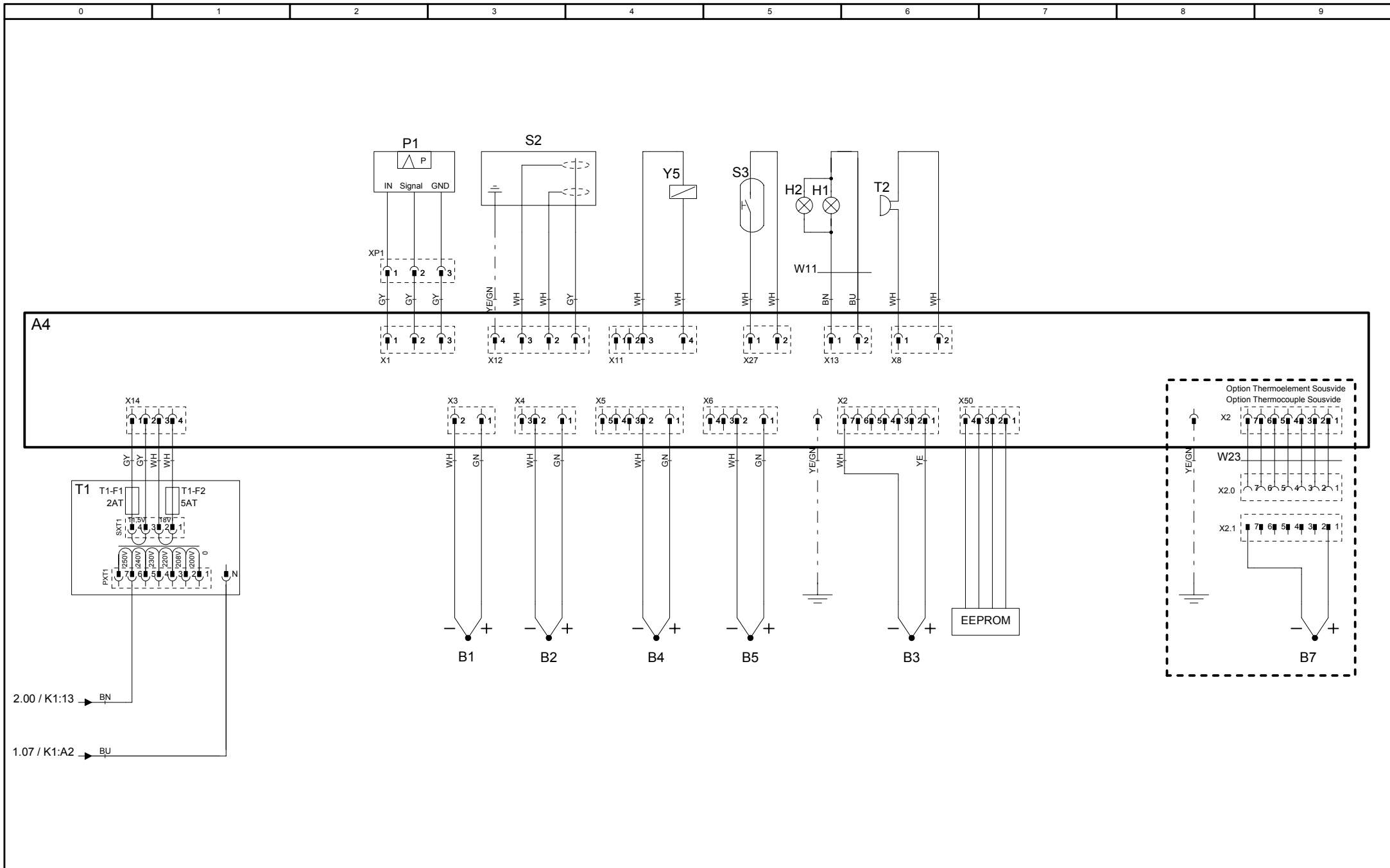


76-00487
Version 1

MODUL 2 Heizung/Heating

CMP 202G-UL
2AC208 V 60 Hz

Erstellt von	SCHD
Created by	
Datum	12.10.2011
Date	
Blatt	2
Page	



Positionsliste

Bill of material

Name Name	Artikelnr. Item number	Artikelbezeichnung	Item description	Module Modul
-A4	42.00.161	Bedienplatine CMP	Operator PCB CMP	Modul 1
-A4-F1	3019.0125	Sicherung 1,6AT	Fuse 1,6AT	Modul 1
-A5	74.00.883	Feuerungsautomat Brenner 61-202	Ignition box	Modul 2
-A6	74.00.883	Feuerungsautomat Brenner 201/202 HL	Ignition box	Modul 2
-B1	40.03.528	Thermoelement Garraum	Thermocouple interior cabinet	Modul 3
-B2	54.01.254	Thermoelement Ablöschung	Thermocouple quenching	Modul 3
-B3	40.04.041	Thermoelement Kerntemperatur	Thermocouple core sensor	Modul 3
-B4	40.00.399	Thermoelement Feuchte	Thermocouple humidity	Modul 3
-B5	40.04.110	Thermoelement Dampfgenerator	Thermocouple steam generator	Modul 3
-F1/F2	40.01.873	Steuersicherung	Control fuse	Modul 1
-F3	40.02.515	Sicherheitstemperaturbegrenzer Gas:157°C/314° F Elek.:183°C/360°F	Safety thermostat steam generator Gas: 157°C/ 314°F Elec.: 183°C/360°F	Modul 1
-F4	40.01.482	Sicherheitstemperaturbegrenzer 360°C/680°F	Safety thermostat interior cabinet 360°C/680°F	Modul 1
-H1	3024.0201	Garraumbeleuchtung	Interior cabinet light	Modul 3
-H2	3024.0201	Garraumbeleuchtung	Interior cabinet light	Modul 3
-K1	40.03.761	Hauptschütz	Main contactor	Modul 1
-M1	40.03.513	Lüftermotor	Fan motor	Modul 1
-M10	70.00.566	Gasgebläse HL	Gas blower hot air (bottom)	Modul 2
-M11	40.03.425	Kühllüfter	Cooling fan	Modul 1
-M2	40.03.513	Lüftermotor 201/202 (unten)	Fan motor 201/202 (bottom)	Modul 1
-M4	44.00.207	SC-Pumpe	SC-pump	Modul 1
-M5	40.03.948	Kühllüfter	Cooling fan	Modul 1
-M8	70.00.566	Gasgebläse HL	Gas blower hot air	Modul 2

Änderungsdatum	30.08.2011	Name	CMP 202G-UL	Dokument-Nr.	78-00775
Erzeuger	SCHD	Spannung	2AC208 V 60 Hz	Version	1

Positionsliste

Bill of material

Name Name	Artikelnr. Item number	Artikelbezeichnung	Item description	Module Modul
-M9	70.00.566	Gasgebläse DG	Gas blower steam	Modul 2
-P1	3017.1011	Differenzdrucksensor	Differential pressure sensor	Modul 3
-S2	44.01.371	Niveauelektrode	Water level electrode	Modul 3
-S3	40.00.454	Türkontaktschalter	Door contact switch	Modul 3
-S7	40.00.464	Potentiometer Zeit / Kerntemperatur	Time / Core potentiometer	Modul 3
-T1	40.03.348	Steuertrafo	Control transformer	Modul 3
-T1-F1	3019.0120	Sicherung Steuertrafo T1 2AT	Fuse control transformer T1 2AT	Modul 3
-T1-F2	3019.0126	Sicherung Steuertrafo T1 5AT	Fuse control transformer T1 5AT	Modul 3
-T2	40.04.048	SCC WE: Lautsprecher / CMP: Alarmsummer	SCC WE: Speaker / CMP: Buzzer	Modul 3
-T3	40.03.468	Sondertrafo	Special transformer	Modul 1
-T3-F1	3019.0120	Sicherung Sondertrafo T3	Fuse special transformer	Modul 1
-T4	40.03.772	Trafo Kühllüfter 201/202	Transformer cooling fan 201/202	Modul 1
-W0	40.01.596	Anschlusskabel	Cable: power supply	Modul 1
-W11	40.03.532	Kabel: Garraumbeleuchtung	Cable: interior cabinet light	Modul 3
-W17	40.03.818	Kabel: Steuerstamm	Cable: control harness	Modul 1
-W19	40.04.116	Kabel: Zusatzstamm Gas	Cable: power supply gas	Modul 1
-Y1	50.01.147	Magnetventil Füllen	Solenoid valve filling	Modul 1
-Y11	70.00.625	Gasventil D	Gas valve steam	Modul 2
-Y12/Y13	70.00.626	Y12: Gasventil HL1 / Y13: Gasventil HL2 201/ 202G	Y12: Gas valve hot air / Y13: Gas valve hot air (bottom)	Modul 2
-Y2	50.01.146	Magnetventil Ablöschung	Solenoid valve quenching	Modul 1
-Y5	22.00.725	Klimaventil	Clima valve	Modul 3
-Z1	40.01.483	Entstörfilter/Varistor	Electronic noise filter	Modul 1

Änderungsdatum	30.08.2011	Name	CMP 202G-UL	Dokument-Nr.	78-00775
Erzeuger	SCHD	Spannung	2AC208 V 60 Hz	Version	1