



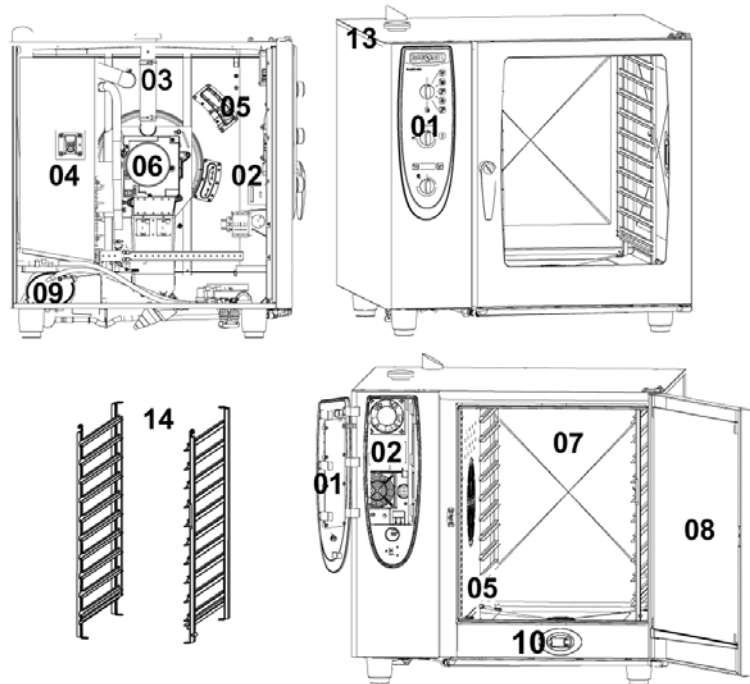
# CM 102E

Valid as of E12ME0404 up to  
E12ME0601

Electrical unit

► CM 102E

Voltage 3 AC 208V 60Hz

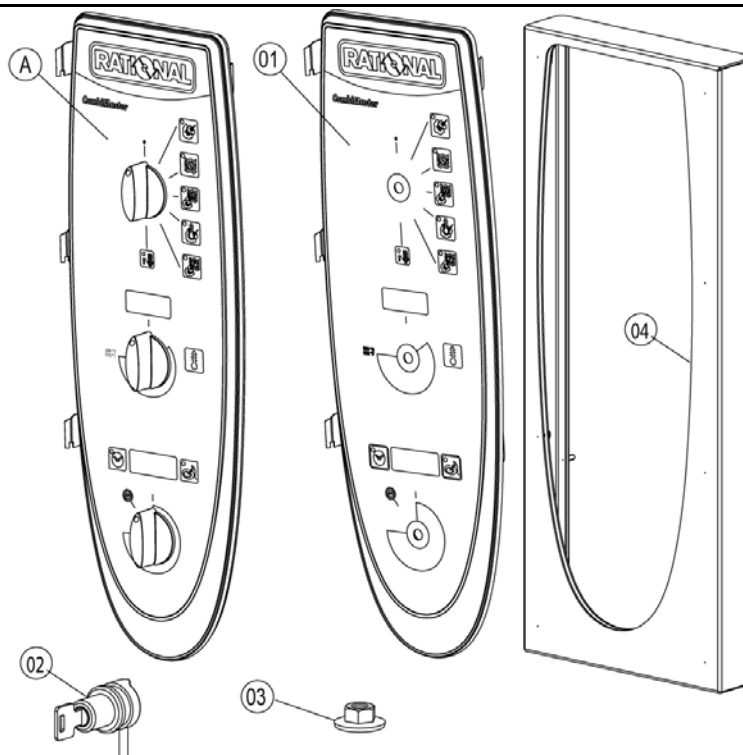


Item no.	Part no	Reference	Description
1		<a href="#">►1</a>	Control panel
2		<a href="#">►2</a>	Electrical installation
3		<a href="#">►3</a>	Clima Plus
4		<a href="#">►4</a>	Steam generator, Bypass
5		<a href="#">►5</a>	Hot air heating
6		<a href="#">►6</a>	Motor and fan wheel
7		<a href="#">►7</a>	Interior cabinet
8		<a href="#">►8</a>	Door
9		<a href="#">►9</a>	Water supply, quenching box
10		<a href="#">►10</a>	Hand shower
13		<a href="#">►13</a>	Exterior cabinet
14		<a href="#">►14</a>	Miscellaneous

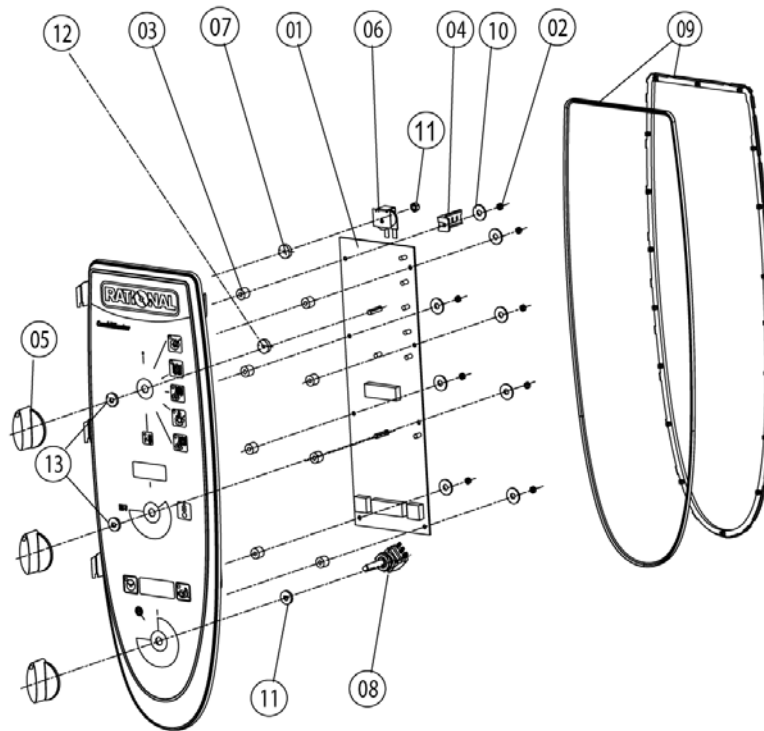


---

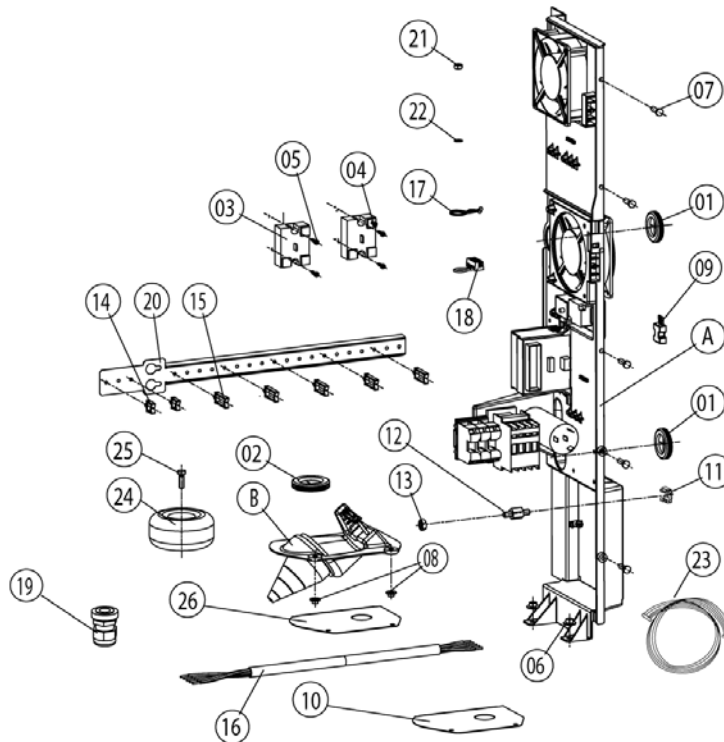
1	Control panel .....	3
1.A	Control panel.....	4
2	Electrical installation .....	5
2.A	Contactor assembly .....	6
3	Clima Plus.....	7
4	Steam generator, Bypass .....	8
4.A	Pump connection spout cpl. ....	9
4.B	Venting valve for steam generator .....	10
5	Hot air heating .....	11
6	Motor and fan wheel .....	12
7	Interior cabinet .....	13
7.A	Interior cabinet .....	14
7.B	Gasket frame w. glass a. gaskets .....	15
7.C	Air baffle.....	16
8	Door .....	17
8.A	Door .....	18
9	Water supply, quenching box.....	19
10	Hand shower.....	20
13	Exterior cabinet.....	21
13.A	Exterior cabinet .....	22
14	Miscellaneous .....	23



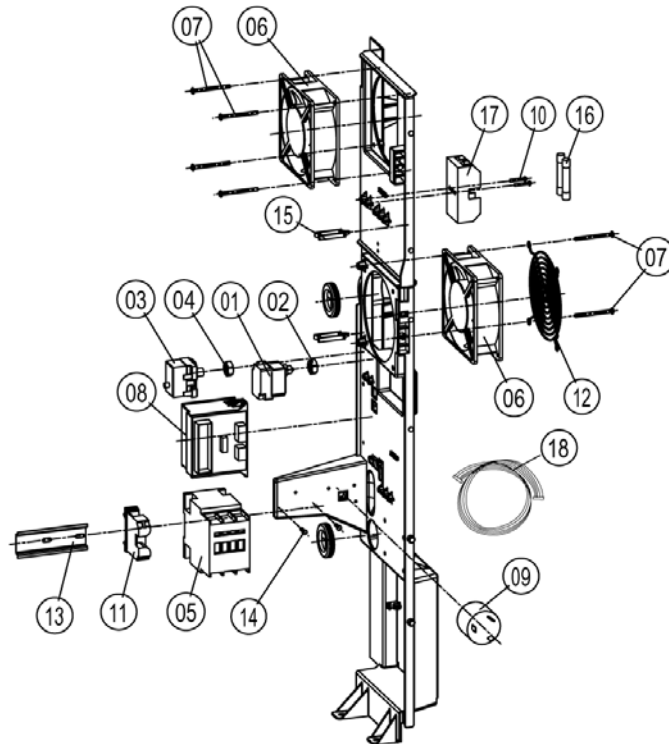
Item no.	Part no	Reference	Description
A		<a href="#">▶1.A</a>	Control panel
1	87.00.001		Control panel insert with overlay



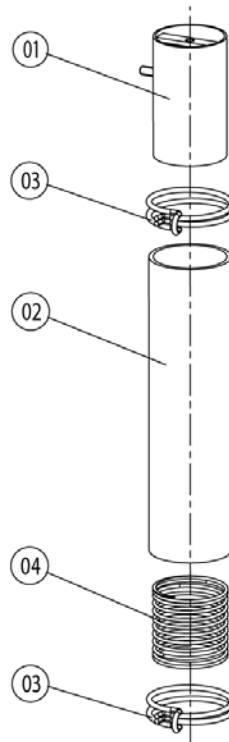
Item no.	Part no	Reference	Description
1	42.00.004		Control pcb Index "ME"
2	<a href="#">1104.0121</a>		Hex nut M4 self locking
3	<a href="#">10.00.355</a>		Spacer black
4	<a href="#">2020.0400</a>		Fixing device for cable harness
5	<a href="#">16.00.282</a>		Dial
6	40.02.087		Buzzer
6	3006.0107		Buzzer
7	5110.1028		Gasket poti hot air, core temperature
8	<a href="#">40.00.464</a>		Potentiometer CT
9	<a href="#">16.00.387</a>		Mounting device f.sealing + sealing lip
10	<a href="#">1306.0218</a>		Washer A4,3
11	<a href="#">1103.0122</a>		Hex nut M3 self-locking
12	<a href="#">5110.1029</a>		Gasket mode switch
13	<a href="#">5110.1027</a>		Distance plate for front panel



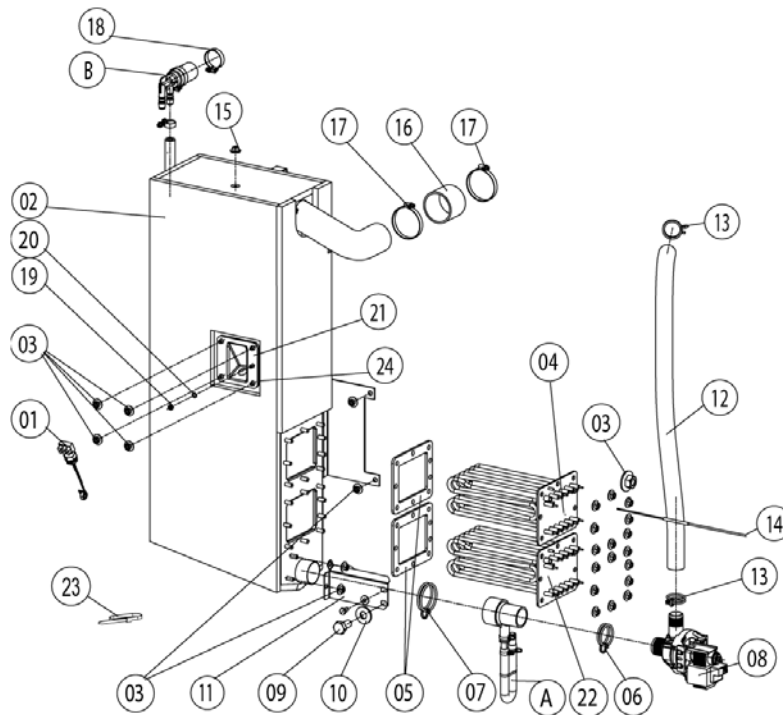
Item no.	Part no	Reference	Description
A		<a href="#">►2.A</a>	Contactory assembly
1	4007.0620		Membrane DGC 29
2	4007.0621		Membrane DGC 36
3	40.00.453		Solid state relays
4	10.00.507		Pan head screw Torx 5/16" T20
5	10.00.444		Raised countersunk head screw Torx M4x8
6	1106.0803		Hex combination nut M6 galv
7	10.00.239		EJOT PT-Screw Torx 4x10
8	1105.0121		Hex combination nut M5 galv
9	42.00.007		External memory
10	40.01.072		Cable entry
11	1104.0801		Cage nut M4
12	10.00.243		Spacer M4x8
13	1104.0120		Hex nut M4
14	10.00.112		Cable clip short
15	10.00.111		Cable clip long
17	10.00.471		Cable clip d10-12mm
18	40.00.338		Sicotronic-terminal *screw typ*
20	40.01.285		Fixing device f. cable guide
21	1106.0160		Hex nut M6
22	1206.0120		Tooth lock washer A6,4
23	40.00.472		Bus cable 1.3m



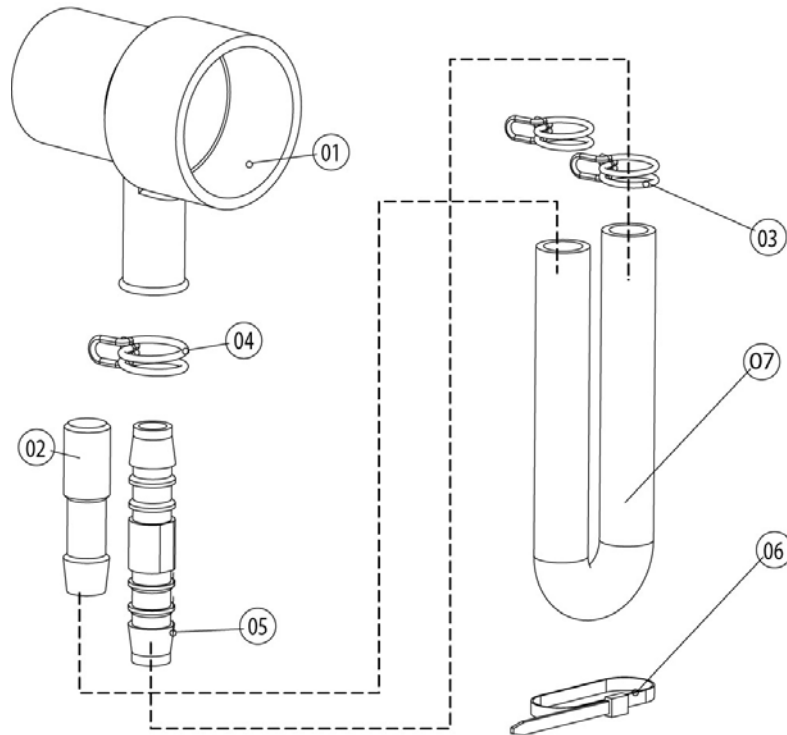
Item no.	Part no	Reference	Description
1	40.01.329		Dry up protector 160°
2	3014.0302		Hex nut M10 for dry-up protector
3	40.01.482		Safety temperature limiter 365°C
4	3014.0327		Hex nut M10x1,0
5	40.01.559		Contactor CL09A300M6-M
6	3101.1008		Cooling fan
7	10.00.238		Screw Torx 4x50
8	40.00.278		Halogen transformer
9	40.01.613		Varistor
10	10.00.240		Screw Torx 3x20
11	4001.1233		Terminal block yellow/green 35mm <sup>2</sup>
12	2005.0106		Protective grid for cooling fan
13	40.01.562		Installation rail for Contactor 115mm
13	40.00.518		Installation rail for Contactor 95mm
14	10.00.239		EJOT PT-Screw Torx 4x10
15	10.00.111		Cable clip long
16	40.01.588		Fuse SC-8A 10x38
17	40.01.487		Fuse holder 2pol
18	40.00.212		Cable buzzer
18	40.01.475		Cable clock switch USA
18	40.00.240		Cable contactor-SSR
18	40.01.284		Cable control harness
18	40.00.235		Cable control SSR
18	40.00.205		Cable level electrode
18	40.00.219		Cable SC pump
18	40.00.236		Cable solenoid valve



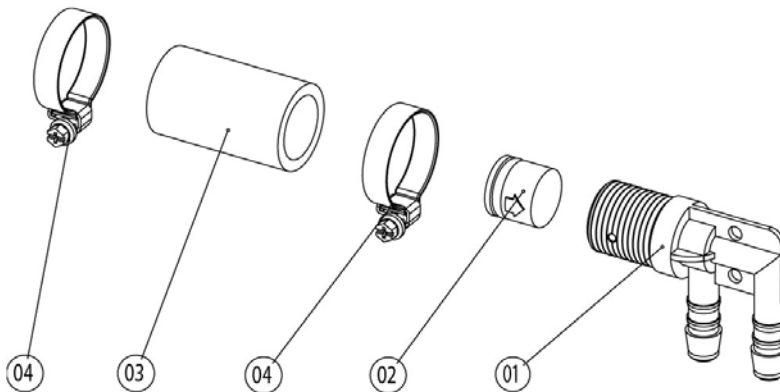
Item no.	Part no	Reference	Description
1	<a href="#">22.00.324</a>		Safety valve
2	<a href="#">22.00.214</a>		Hose d50x202
2	<a href="#">22.00.213</a>		Hose d50x210
3	<a href="#">2066.0531</a>		Hose clamp ø56
4	<a href="#">2001.0124</a>		Compression spring



Item no.	Part no	Reference	Description
A	8354.1320	<a href="#">►4.A</a>	Pump connection spout cpl.
B	8354.1304	<a href="#">►4.B</a>	Venting valve for steam generator
1	3002.0402		Filling level electrode 90 mm
2	44.00.173		Steam generator insolated
3	1106.0803		Hex combination nut M6 galv
4	44.00.295		Heating element
5	44.00.279		Gasket f. heating element
6	2066.0519		Hose clamp 35,6mm
7	2066.0526		Hose clamp ø46mm
8	44.00.207		Emptying pump
9	1006.0762		Hex screw M6x10
10	1306.0222		Washer A6,4x15x1,5
11	44.00.232		Fixing device f. pump steam generator
12	44.00.216		Drain hose steam generator
13	2066.0518		Hose clamp 30mm
14	40.00.291		Thermocouple steam generator
15	1104.0122		Hex combination nut M4 galv
16	2112.1006		Steam hose 50x7mm
17	2066.0504		Hose clamp 40-60mm
18	2066.0506		Hose clamp 20-32mm
19	1105.0120		Hex nut M5
20	1205.0120		Tooth lock washer A5,3
21	2920.1300		Level elektrode insert
23	10.00.414		Cable strap black 120°
24	44.00.280		Gasket f. heating element+Level elektrode insert

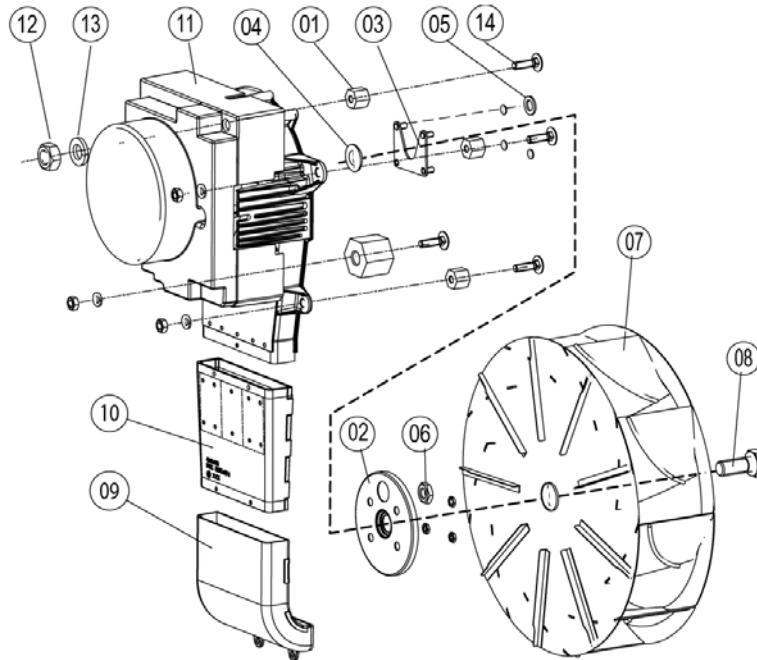


Item no.	Part no	Reference	Description
1	2118.1000		Pump connection spout
2	2120.1259		Stop plug 10mm
3	2066.0527		Hose clamp ø14mm
4	2066.0530		Hose clamp ø16.4mm
5	2062.0331		Junction pressure hose GS 10
6	4005.0101		Tie rap 145 mm

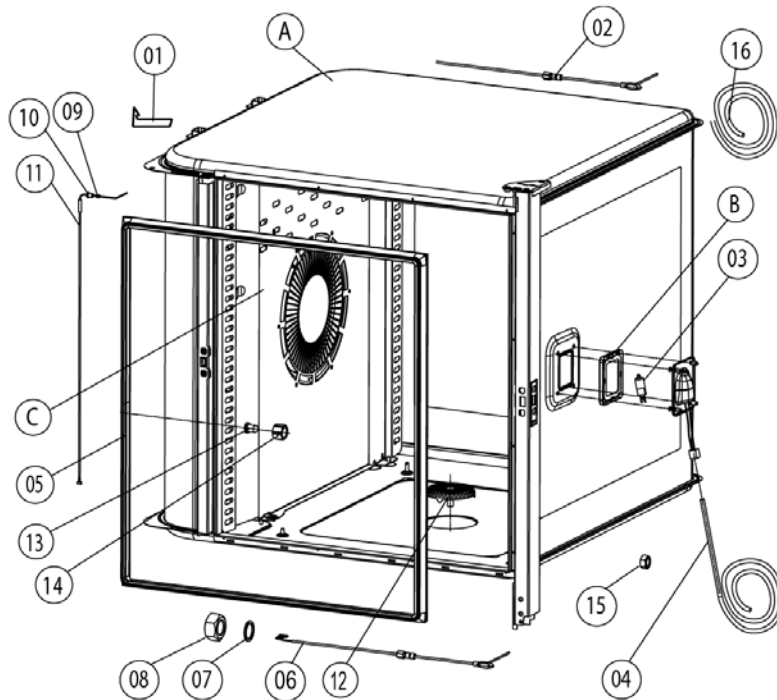


Item no.	Part no	Reference	Description
1	<a href="#">2062.0332</a>		Receptacle for ventilation valve SG
2	<a href="#">2069.0108</a>		Ventilation valve
3	<a href="#">2112.1310</a>		Form hose for ventilation of steam generator
4	<a href="#">2066.0506</a>		Hose clamp 20-32mm

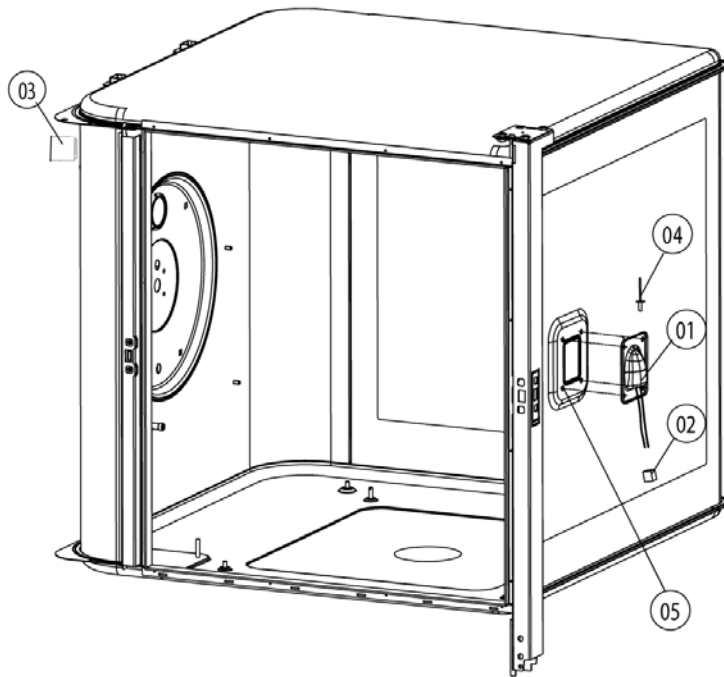




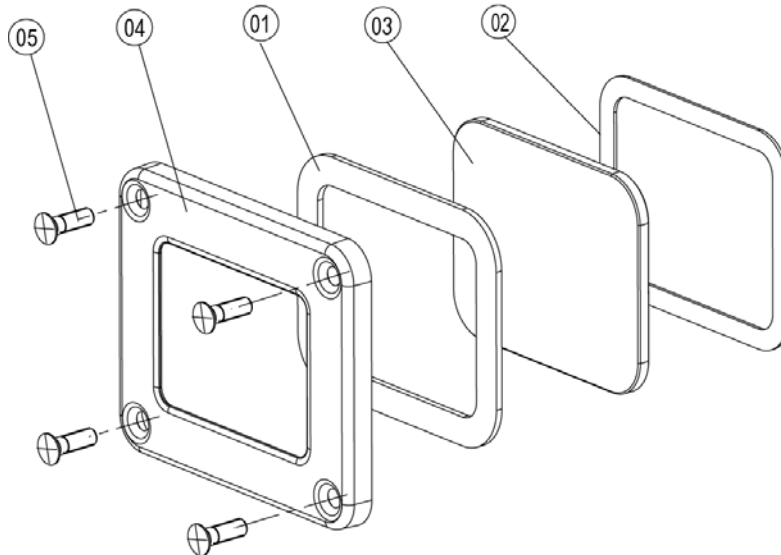
Item no.	Part no	Reference	Description
1	2120.1306		Spacer SW19x17
2	22.00.123		Flange f. motor shaft gasket
3	22.00.120		Mounting support f. gasket flange
4	22.00.083		Motor shaft gasket
4	5001.0207		Motor shaft gasket
5	1315.0101		Copper washer 6x10
6	1106.0220		Hex nut M6 flat
7	22.00.192		Fan wheel d340x135
8	1008.0763		Hex screw M8x20
8	10.00.565		Hex screw M8x20
9	40.00.310		Exhaust pipe below
10	40.00.435		Exhaust channel f. SSR
11	40.00.274		Fan motor
12	10.00.071		Hex nut M8
12	1108.0260		Hex nut M8
12	10.00.710		Hex nut M8 w. locking
13	1208.0260		Spring washer B8
14	1008.1005		Square necked mushroom head bolt 8x40



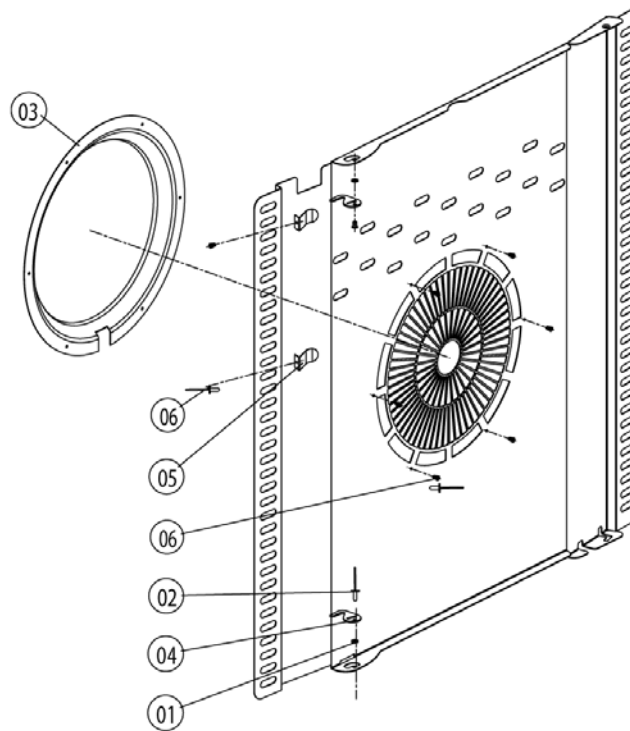
Item no.	Part no	Reference	Description
A		<a href="#">►7.A</a>	Interior cabinet
B	<a href="#">40.00.091</a>	<a href="#">►7.B</a>	Gasket frame w. glass a. gaskets
C	<a href="#">22.00.296</a>	<a href="#">►7.C</a>	Air baffle
1	<a href="#">40.00.520</a>		Screen interior cabinet sensor
3	<a href="#">3024.0201</a>		Halogen bulb for interior cabinet 300°C
4	<a href="#">40.00.227</a>		Wiring interior light
5	<a href="#">20.00.397</a>		Door gasket
6	<a href="#">40.00.608</a>		Meat probe sensor
7	<a href="#">1315.0104</a>		Copper washer 16x20x1,5
8	<a href="#">10.00.422</a>		Hex nut M16
9	<a href="#">3014.0162</a>		Sealing cone for thermocouple
10	<a href="#">3014.0163</a>		Gasket sleeve with nipple
11	<a href="#">40.00.395</a>		Thermocouple interior cabinet
12	<a href="#">2005.0308</a>		Outlet sieve
15	<a href="#">10.00.070</a>		Hex nut M6



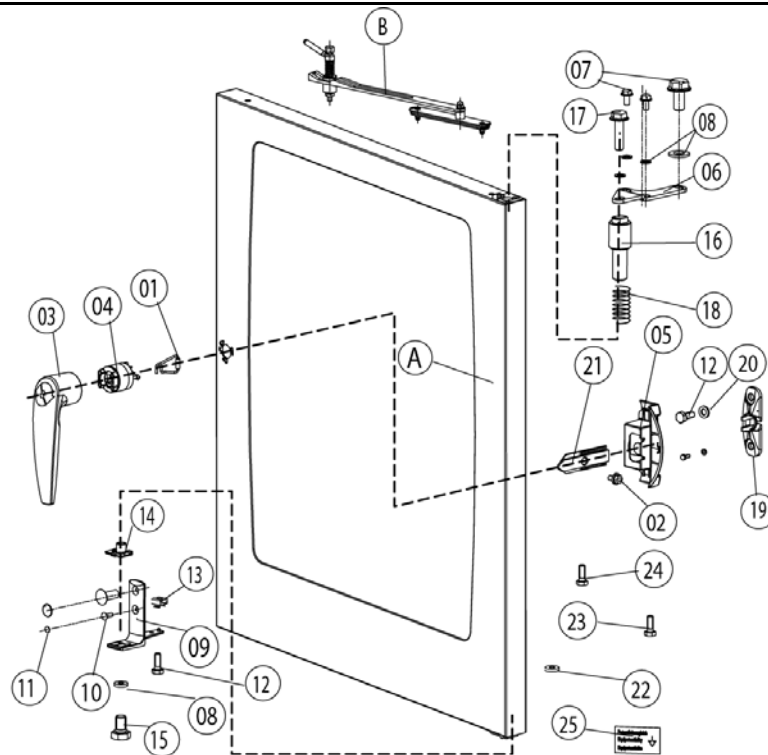
Item no.	Part no	Reference	Description
1	<a href="#">40.00.098</a>		Reflector f. interior light
2	4001.1248		Porcelain connector 2-pin interior light
3	<a href="#">2120.1277</a>		Base for sensor connection
4	1603.0167		Tubular rivet 3,2x0.25x10
5	<a href="#">10.00.041</a>		Rivet nut M5 hexagon closed



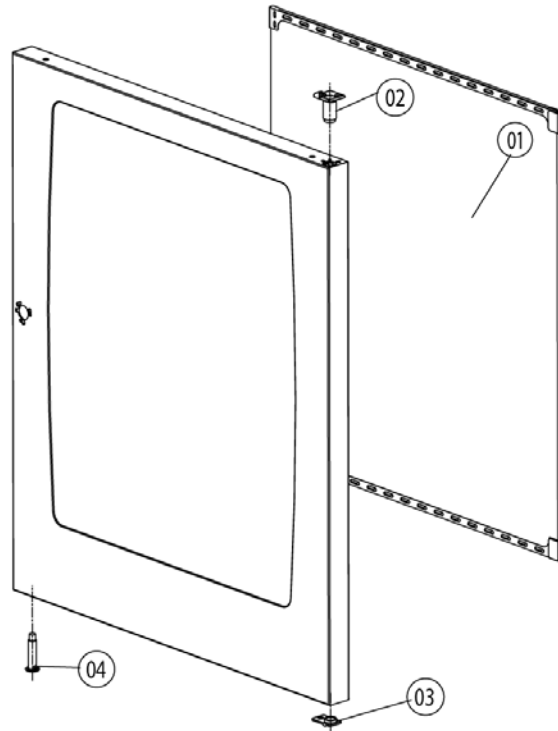
Item no.	Part no	Reference	Description
1	<a href="#">40.00.093</a>		Outer gasket f. interior light
2	<a href="#">40.00.094</a>		Inner gasket f. interior light
3	<a href="#">40.00.095</a>		Glass pane f. interior light
4	<a href="#">40.00.096</a>		Gasket frame f. interior light
5	<a href="#">10.00.682</a>		Phillips countersunk-head screw M5x16



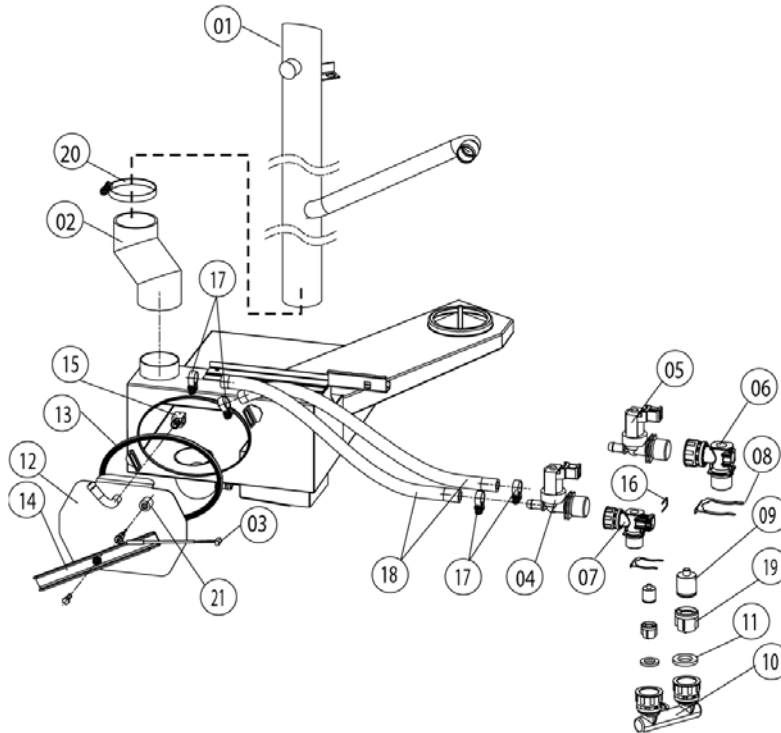
Item no.	Part no	Reference	Description
1	1304.0160		Washer A4,3
2	1604.0167		Rivet 4x10
3	22.00.332		Air sucking ring f. air baffle
4	2760.1370		Latch hook for air baffle
5	40.01.289		Fixing clip core temp. cable
6	1603.0168		Rivet 3,2x8 A4
6	1603.0168		Rivet 3,2x8 A4



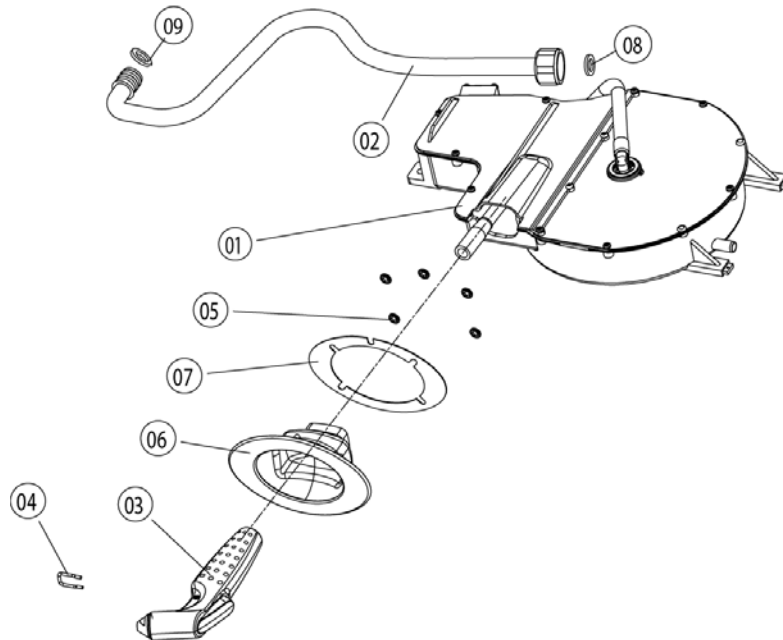
Item no.	Part no	Reference	Description
A	24.00.113	<a href="#">►8.A</a>	Door
1	24.01.100		Spring clip f. door lock
2	1005.2000		Interlocking tooth screw M5x8
3	24.00.152		Door handle
4	24.00.176		Door lock
5	24.00.504		Lock cover
6	24.00.133		Door mounting support top
7	1008.0768		Ornamental screw M8x16
8	1308.0160		Washer A8,4
9	24.00.223		Door mounting support bottom
10	1006.1962		Countersunk screw Torx M6x16
11	10.00.090		Cap f. Torx T30
12	1006.0760		Hex screw M6x16
13	1106.0802		Cage nut M6
14	24.00.137		Door bolt
15	10.00.099		Hex screw M8x12
16	24.00.048		Door bolt
17	1008.0769		Ornamental screw M8x30
18	2001.0109		Compression spring
19	24.00.141		Holding bracket f. door catch
20	1306.0120		Washer A6,4
21	24.00.142		Door catch
22	1308.0162		Washer A8,4
23	24.01.200		Pan head screw Torx M4x12 T20
24	24.01.199		Slotted pan head screw M6x45 *WDS*



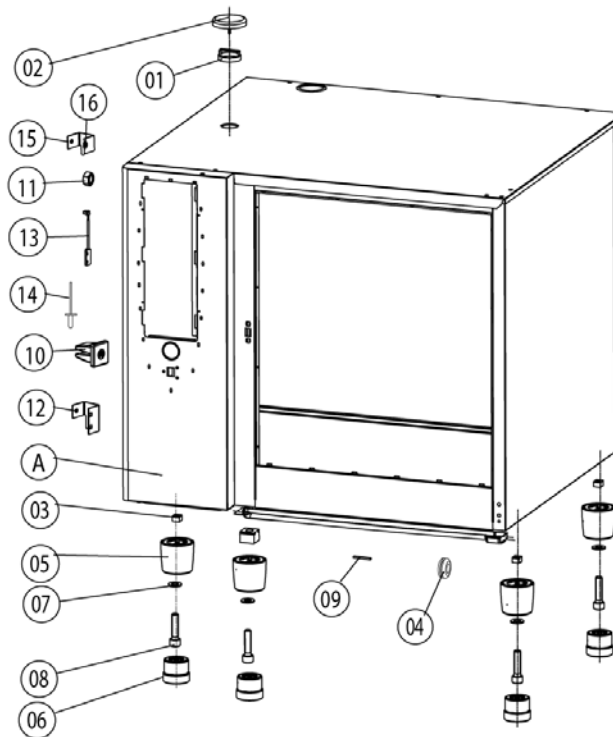
Item no.	Part no	Reference	Description
1	24.00.200		Inner glass pane
2	24.00.147		Sleeve for door bolt top
3	24.00.146		Door setting bolt
4	24.00.502		Fixing device f. magnet with magnet



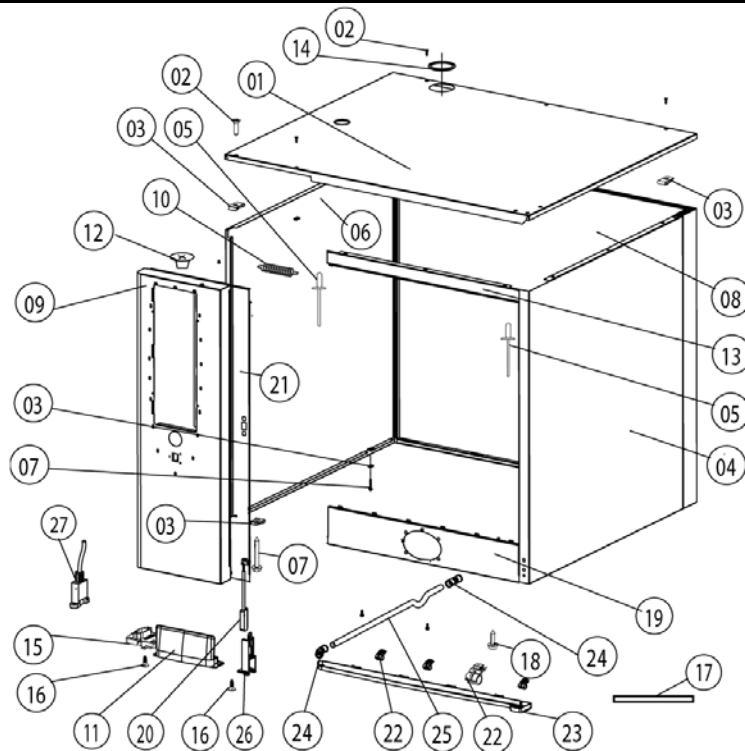
Item no.	Part no	Reference	Description
1	54.00.220		Exhaust pipe
2	54.00.094		Rubber form piece venting pipe
3	40.00.287		Thermocouple quenching
4	50.00.316		Single solenoid valve
5	50.00.139		Single solenoid valve
6	50.00.071		Water distribution hor. w/o roll guide con.
7	50.00.070		Water distribution hor roll guide con.
8	50.00.086		Locking plate f. water distribution
9	50.00.078		Non return valve DW16/DN12
10	8664.1301		T-fitting water connection
11	5110.1024		Gasket for G3/4" threaded joint
12	54.00.228		Inspection lid f. quenching chamber
13	5012.0566		Gasket quenching chamber O-ring
14	54.00.225		Clamping bar
15	2016.0936		Quenching nozzle 3.9 l/min
16	50.00.085		Plug-in spring f. hand shower roll guide
17	2066.0205		Hose clamp 8-16x9 mm SW 7mm
18	2067.0050		Pressure hose d10mm
19	1900.0202		Water filter
20	2066.0516		Hose clamp 60-80 mm
21	2120.1277		Base for sensor connection



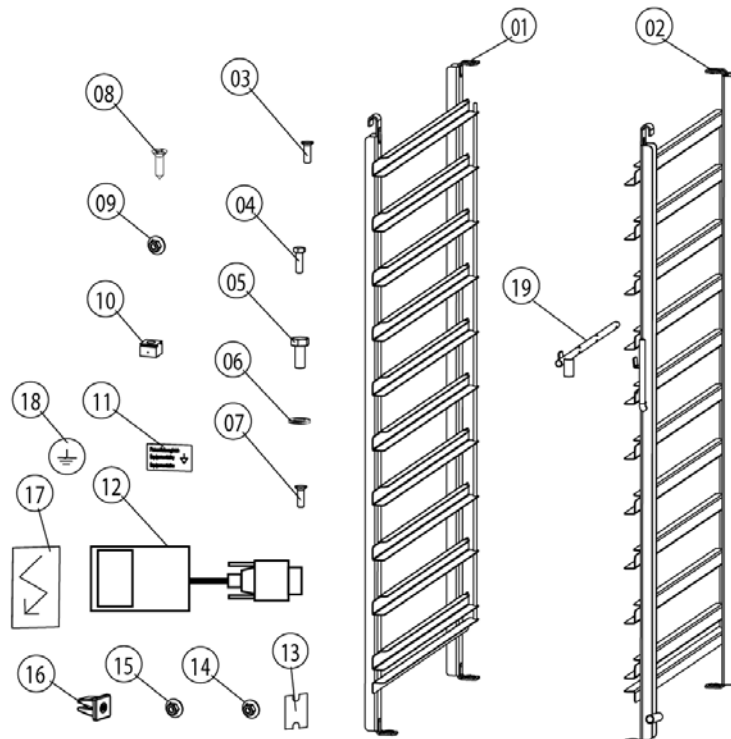
Item no.	Part no	Reference	Description
1	50.00.140		Hand shower roll guide
2	<a href="#">50.00.174</a>		Connect. pipe f. hand shower roll guide
3	<a href="#">50.00.130</a>		Hand shower
4	<a href="#">50.00.156</a>		Clamp f. hand shower roll guide
5	<a href="#">1107.0100</a>		Star lock ø4
6	50.00.279		Tulip for handshower
7	<a href="#">50.00.298</a>		Tape f. tulip
8	<a href="#">50.00.537</a>		Gasket f. connect.pipe hand shower roll guide
9	<a href="#">50.00.538</a>		O-ring f. connect. pipe f. hand shower roll guide



Item no.	Part no	Reference	Description
A		<a href="#">►13.A</a>	Exterior cabinet
1	8450.1310		Spacer ring
1	<a href="#">22.00.354</a>		Spacer ring
2	8455.1209		Vent cover
2	<a href="#">22.00.353</a>		Vent cover
3	<a href="#">1110.0800</a>		Cage nut M10
3	<a href="#">1110.0800</a>		Cage nut M10
4	<a href="#">2022.0101</a>		Grommet 18 mm
5	<a href="#">12.00.205</a>		Upper part of pedestal
6	<a href="#">12.00.206</a>		Lower part of pedestal
7	<a href="#">1328.0102</a>		Safety washer A10,2
8	<a href="#">10.00.107</a>		Allen screw M10x30
9	<a href="#">5013.0100</a>		Edge protection profile
12	<a href="#">16.01.146</a>		Bracket for door contact switch
13	<a href="#">40.00.335</a>		Door switch



Item no.	Part no	Reference	Description
1	16.00.340		Top cover
2	1003.2265		Countersunk self tapping screw 4,2x16
3	1104.0820		Snap nut 4,2mm
4	16.00.154		Side panel right
5	1603.0166		Rivet 3,2x7,9 CNS closed
6	16.00.155		Side panel left
7	10.00.102		Hex self tapping screw B4,2x32
8	16.00.188		Back panel
9	16.00.299		Front panel
10	2002.0107		Tension spring for front panel
11	16.00.673		Air inlet filter
12	2039.0331		Cap for service door
13	16.00.331		Crossbar top
14	5105.1028		Gasket f. breather tube d=74mm
15	16.00.360		Cover f. RS232 interface
16	10.00.103		EJOT PT-screw KA 3.5x10
17	16.00.338		Edge protection profile
18	1004.2160		Hex self tapping screw 4,2x16
19	16.00.322		Crossbar below f. tulip
20	40.00.454		Door switch 1.65m
21	16.00.681		Crossbar front panel
22	50.00.296		Clip f. drip collector
23	50.00.300		Drip collector
24	50.00.303		Bushing drip collector
25	50.00.304		Drain drip collector
25	50.00.557		Drain drip collector
26	16.00.384		Bracket for door contact switch



Item no.	Part no	Reference	Description
1	<a href="#">60.12.003</a>		Hinging rack left
2	<a href="#">60.12.004</a>		Hinging rack right
3	10.00.448		Phillips countersunk-head screw M5x16
4	<a href="#">1008.0750</a>		Hex screw M5x16
6	<a href="#">1208.0160</a>		Tooth lock washer A8,4
12	42.00.030		Memory-Stick
15	<a href="#">1105.0123</a>		Hex combination nut M4
17	4019.0008		Sticker Electric/Danger
19	<a href="#">60.60.574</a>		Positioning support f. core sensor