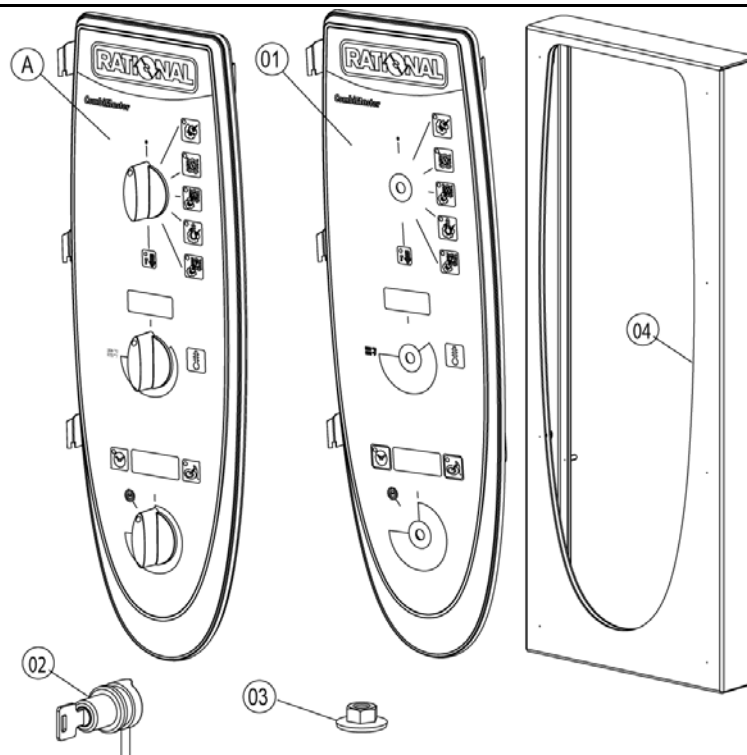


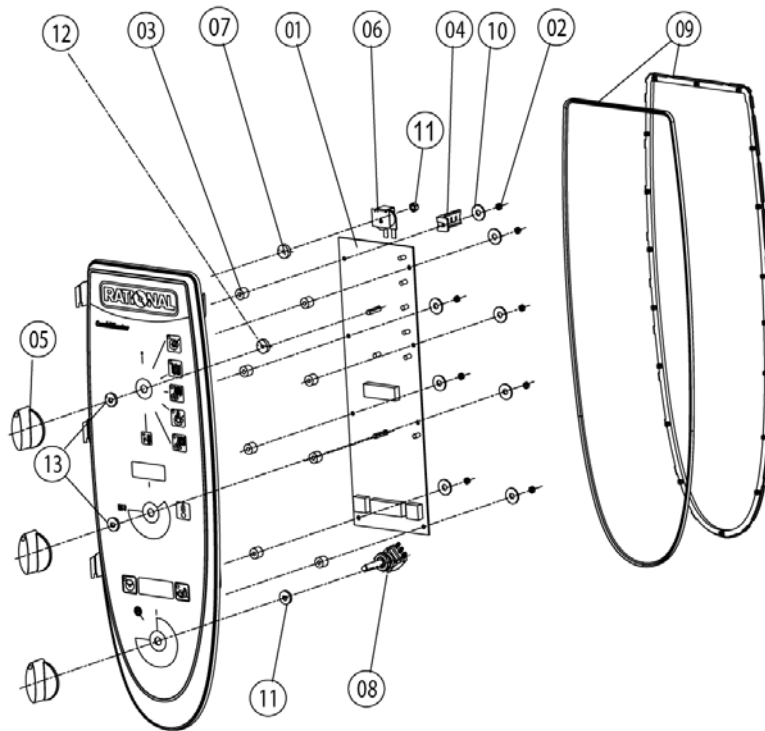
Item no.	Part no	Reference	Description
1		▶1	Control panel
2		▶2	Electrical installation
3		▶3	Clima Plus
4		▶4	Steam generator, Bypass
5		▶5	Hot air heating
6		▶6	Motor and fan wheel
7		▶7	Interior cabinet
8		▶8	Door
9		▶9	Water supply, quenching box
10		▶10	Hand shower
12		▶12	Gas parts
13		▶13	Exterior cabinet
14		▶14	Miscellaneous



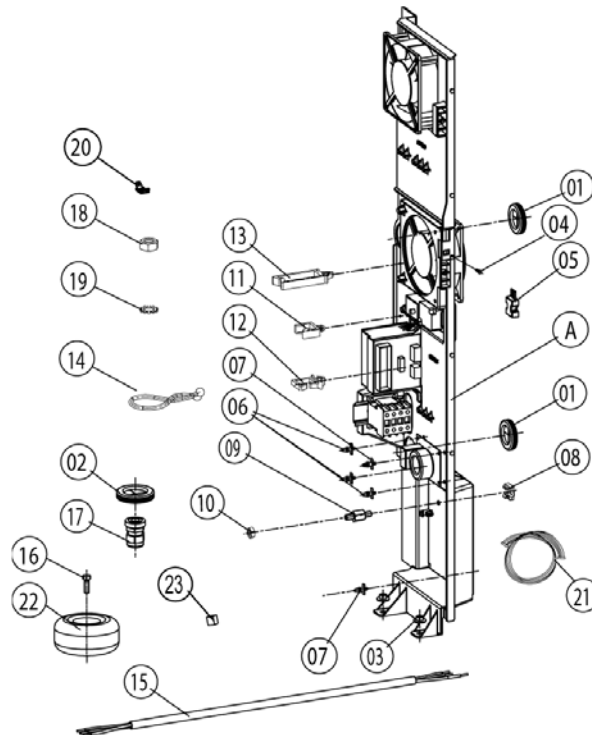
1	Control panel	3
1.A	Control panel.....	4
2	Electrical installation	5
2.A	Contactors assembly	6
3	Clima Plus.....	7
4	Steam generator, Bypass	8
4.A	Pump connection spout cpl.	10
4.B	Venting valve for steam generator	11
5	Hot air heating	12
5.A	Burner hot air	13
6	Motor and fan wheel	14
7	Interior cabinet	15
7.A	Interior cabinet	16
7.B	Gasket frame w. glass a. gaskets	17
7.C	Air baffle.....	18
8	Door	19
8.A	Door	20
9	Water supply, quenching box.....	21
10	Hand shower.....	22
12	Gas parts	23
12.A	Gas valve cpl. ND 055 RG148	25
12.B	Gas valve cpl. WND 055 RG130.....	26
13	Exterior cabinet.....	27
13.A	Exterior cabinet	28
14	Miscellaneous	29



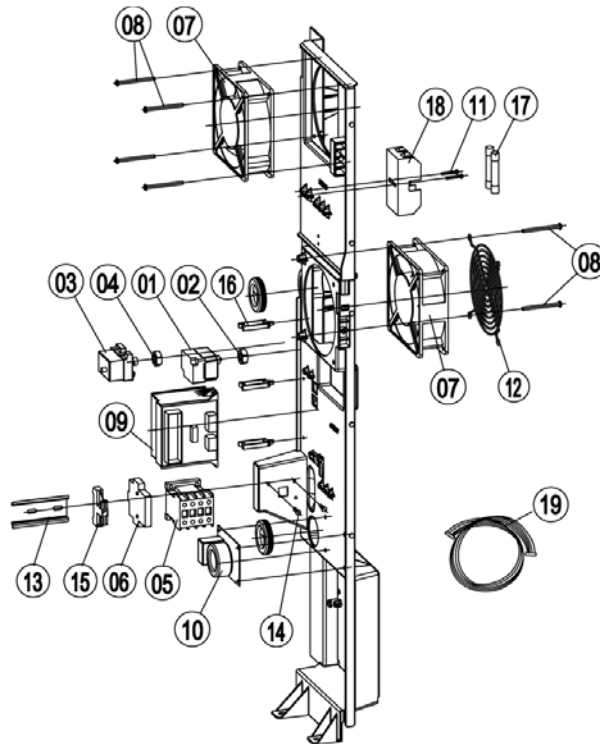
Item no.	Part no	Reference	Description
A		►1.A	Control panel
1	87.00.003		Control panel insert with overlay



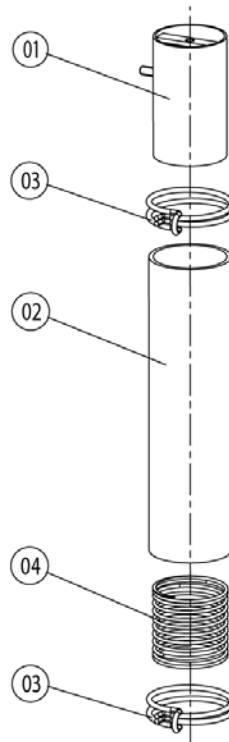
Item no.	Part no	Reference	Description
1	42.00.004		Control pcb Index "ME"
2	1104.0121		Hex nut M4 self locking
3	10.00.355		Spacer black
4	2020.0400		Fixing device for cable harness
5	16.00.282		Dial
6	40.02.087		Buzzer
6	3006.0107		Buzzer
7	5110.1028		Gasket poti hot air, core temperature
8	40.00.464		Potentiometer CT
9	16.00.387		Mounting device f.sealing + sealing lip
10	1306.0218		Washer A4,3
11	1103.0122		Hex nut M3 self-locking
12	5110.1029		Gasket mode switch
13	5110.1027		Distance plate for front panel



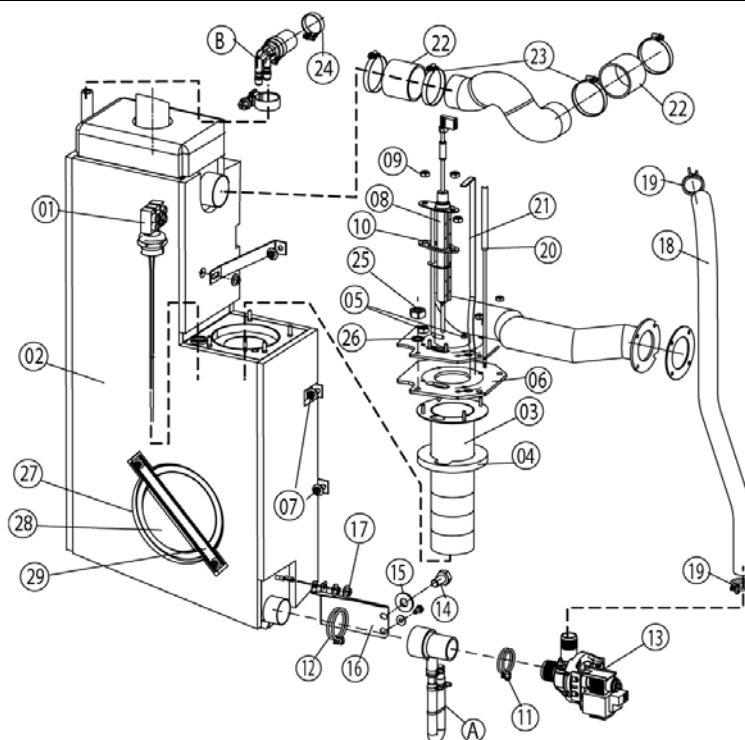
Item no.	Part no	Reference	Description
A		►2.A	Contactur assembly
1	4007.0620		Membrane DGC 29
2	4007.0621		Membrane DGC 36
3	1106.0803		Hex combination nut M6 galv
4	10.00.239		EJOT PT-Screw Torx 4x10
5	42.00.007		External memory
6	40.01.579		Fixing clip f. pcb
7	40.00.417		Fixing clip f. pcb
8	1104.0801		Cage nut M4
9	10.00.243		Spacer M4x8
10	1104.0120		Hex nut M4
11	10.00.112		Cable clip short
12	10.00.421		Cable clip
13	10.00.111		Cable clip long
14	10.00.471		Cable clip d10-12mm
15	40.01.597		Power supply cable 3xAWG14
16	1008.0761		Hex screw M8x25
17	40.00.320		Cable connection M20x1.5
18	1106.0160		Hex nut M6
19	1206.0120		Tooth lock washer A6,4
20	4002.0110		Cable connector, junction
21	40.01.091		Bus cable 0.4m
21	40.00.472		Bus cable 1.3m
22	40.00.279		Control transformer
23	40.01.600		Insulating screw joint 2pol.



Item no.	Part no	Reference	Description
1	3014.0328		Dry up protector 275°F/135°C
2	3014.0302		Hex nut M10 for dry-up protector
3	40.01.482		Safety temperature limiter 365°C
4	3014.0327		Hex nut M10x1,0
5	40.00.451		Contactor MC1A 310 AH6
7	3101.1008		Cooling fan
8	10.00.238		Screw Torx 4x50
9	40.00.278		Halogen transformer
10	40.01.483		Electronic noise filter
11	10.00.240		Screw Torx 3x20
12	2005.0106		Protective grid for cooling fan
13	40.00.519		Installation rail for Contactor 75mm
14	10.00.239		EJOT PT-Screw Torx 4x10
15	4001.1203		End plate for mounting rail
16	10.00.111		Cable clip long
17	40.01.588		Fuse SC-8A 10x38
18	40.01.487		Fuse holder 2pol
19	40.01.485		Cable burner blower
19	40.00.212		Cable buzzer
19	40.00.246		Cable control harness
19	40.00.230		Cable gas valve
19	40.00.248		Cable harness isolating transformer
19	40.00.205		Cable level electrode
19	40.00.219		Cable SC pump
19	40.00.236		Cable solenoid valve
19	40.00.237		Ground wire



Item no.	Part no	Reference	Description
1	22.00.324		Safety valve
2	22.00.214		Hose d50x202
2	22.00.213		Hose d50x210
3	2066.0531		Hose clamp ø56
4	2001.0124		Compression spring



Item no.	Part no	Reference	Description
A	8354.1320	►4.A	Pump connection spout cpl.
B	8354.1304	►4.B	Venting valve for steam generator
1	44.00.287		Filling level electrode 135mm
2	44.00.185		Steam generator insolated
3	72.00.010		Burner steam gen.
4	72.00.048		Insulation f. burner steam gen.
5	1104.0122		Hex combination nut M4 galv
6	72.00.020		Gasket f. burner carrier
7	1105.0121		Hex combination nut M5 galv
8	44.00.249		Ignition electrode steam generator
9	1104.0120		Hex nut M4
10	44.00.250		Gasket f. ignition electrode
11	2066.0519		Hose clamp 35,6mm
12	2066.0526		Hose clamp ø46mm
13	44.00.207		Emptying pump
14	1006.0762		Hex screw M6x10
15	1306.0222		Washer A6,4x15x1,5
16	44.00.226		Fixing device f. pump steam generator
17	1106.0803		Hex combination nut M6 galv
18	44.00.230		Drain hose steam generator
19	2066.0518		Hose clamp 30mm
20	40.01.095		Thermocouple steam gen. (B5)
20	40.00.291		Thermocouple steam generator
21	44.00.517		Fixing plate steam generator thermostat
22	2112.1006		Steam hose 50x7mm
23	2066.0504		Hose clamp 40-60mm
24	2066.0506		Hose clamp 20-32mm
25	1105.0120		Hex nut M5
26	1205.0120		Tooth lock washer A5,3

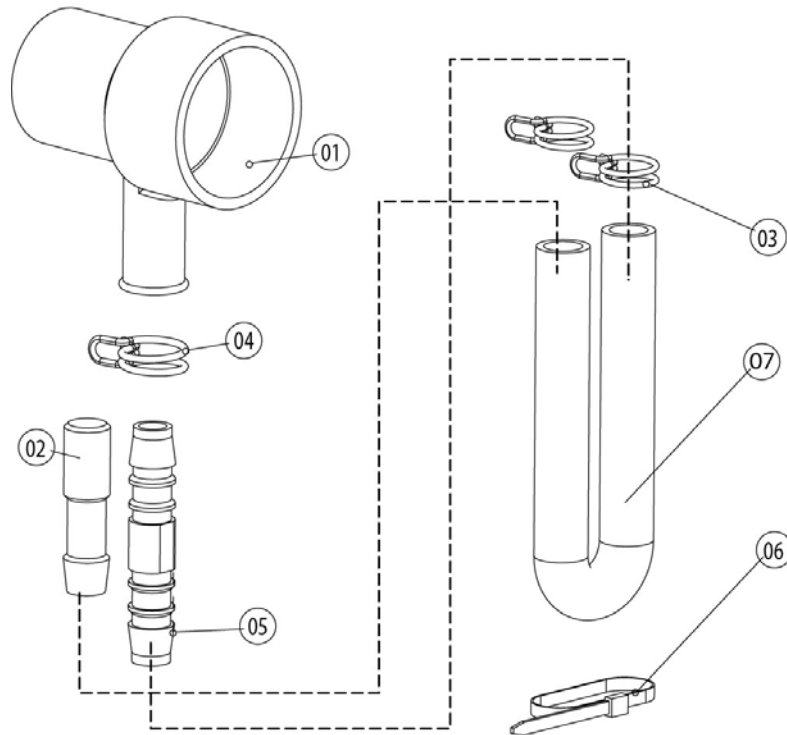


CM 102G

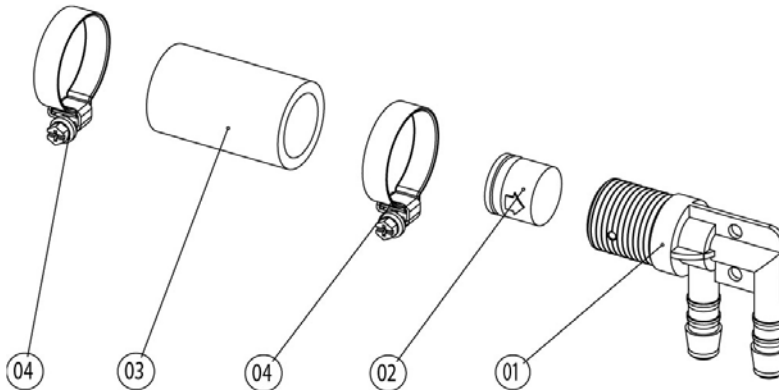
Valid as of **G12ME0404** up to
G12ME0601

Gas unit	▶ 4 Steam generator, Bypass	4
	4 Steam generator, Bypass	Voltage 1 NAC 120V 60Hz

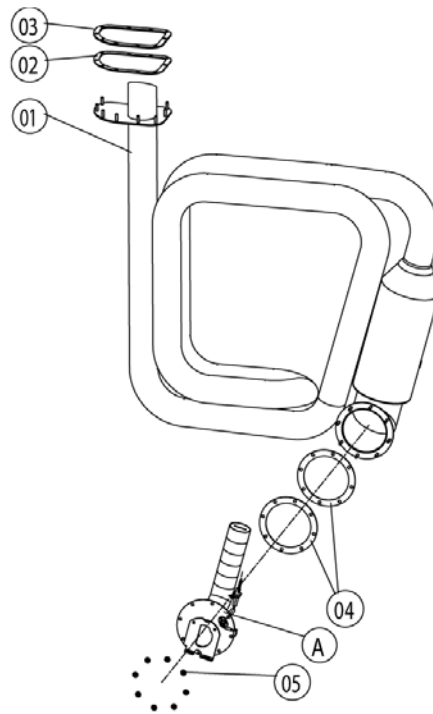
Item no.	Part no	Reference	Description
27	5012.0566		Gasket quenching chamber O-ring
28	44.00.263		Panel for revision hole steam generator
29	44.00.264		Clamping bar for panel revision hole



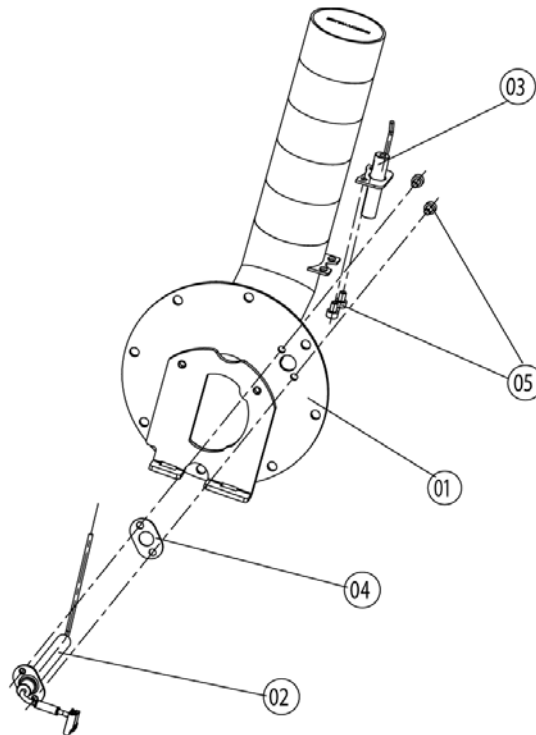
Item no.	Part no	Reference	Description
1	2118.1000		Pump connection spout
2	2120.1259		Stop plug 10mm
3	2066.0527		Hose clamp ø14mm
4	2066.0530		Hose clamp ø16.4mm
5	2062.0331		Junction pressure hose GS 10
6	4005.0101		Tie rap 145 mm



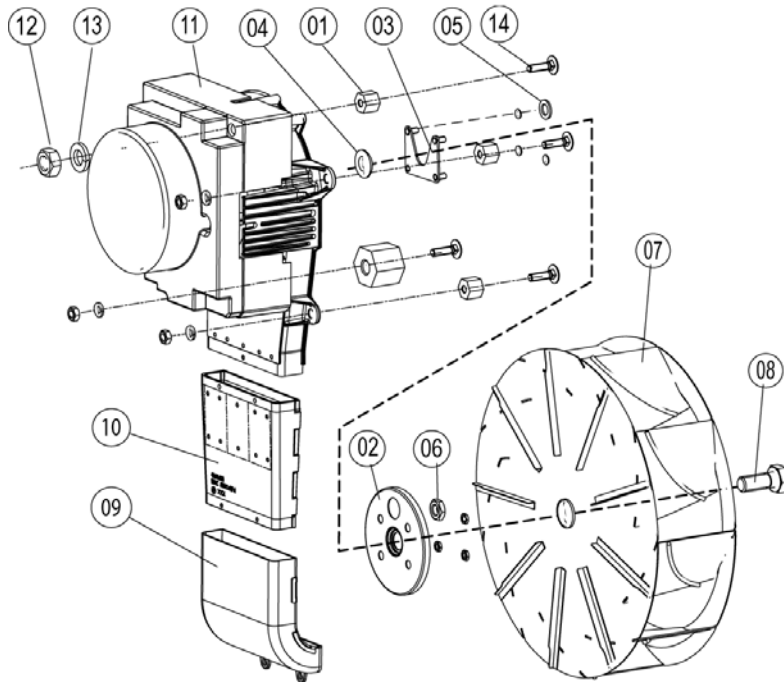
Item no.	Part no	Reference	Description
1	2062.0332		Receptacle for ventilation valve SG
2	2069.0108		Ventilation valve
3	2112.1310		Form hose for ventilation of steam generator
4	2066.0506		Hose clamp 20-32mm



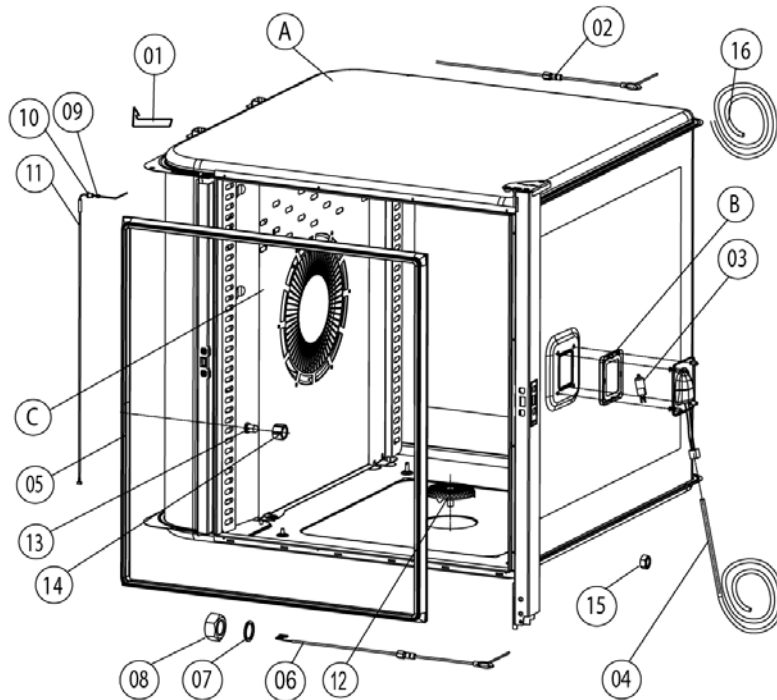
Item no.	Part no	Reference	Description
A	74.00.243	►5.A	Burner hot air
1	74.00.155		Hot air heat exchanger
2	74.00.234		Gasket hot air heat exchanger/interior cabinet
3	74.00.313		Mating flange heat exchanger
4	74.00.296		Gasket f. heat exchanger below
5	1105.0122		Hex combination nut M5 V2A



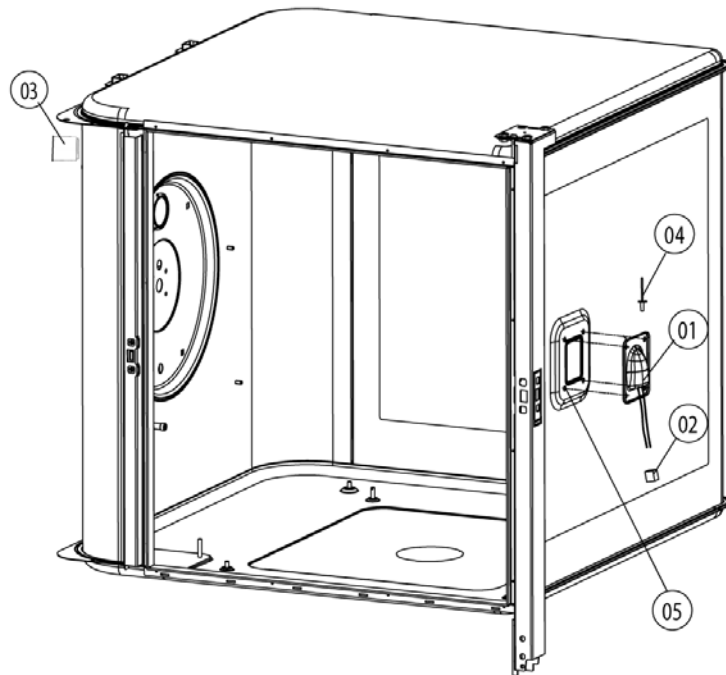
Item no.	Part no	Reference	Description
1	74.00.343		Burner welded hot air
2	74.00.230		Ignitionelectrode1 f. hot air
3	74.00.235		Ignitionelectrode2 f. hot air
4	74.00.290		Gasket electrode hot air
5	10.00.696		Allen screw M4x6 w. Precoat 85
5	10.00.060		Pan head screw Torx M4x6



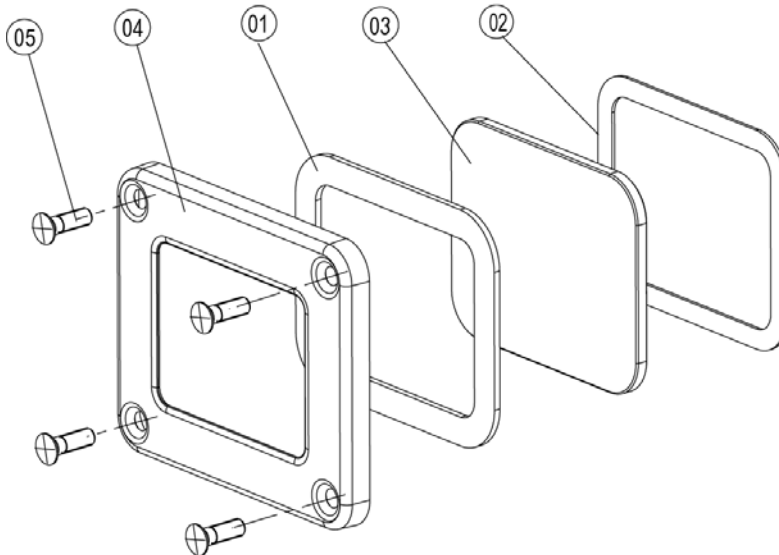
Item no.	Part no	Reference	Description
1	2120.1306		Spacer SW19x17
2	22.00.123		Flange f. motor shaft gasket
3	22.00.120		Mounting support f. gasket flange
4	22.00.083		Motor shaft gasket
5	1315.0101		Copper washer 6x10
6	1106.0220		Hex nut M6 flat
7	22.00.192		Fan wheel d340x135
8	1008.0763		Hex screw M8x20
8	10.00.565		Hex screw M8x20
9	40.00.310		Exhaust pipe below
10	40.00.435		Exhaust channel f. SSR
11	40.00.274		Fan motor
12	10.00.071		Hex nut M8
12	1108.0260		Hex nut M8
12	10.00.710		Hex nut M8 w. locking
13	1208.0260		Spring washer B8
14	1008.1005		Square necked mushroom head bolt 8x40



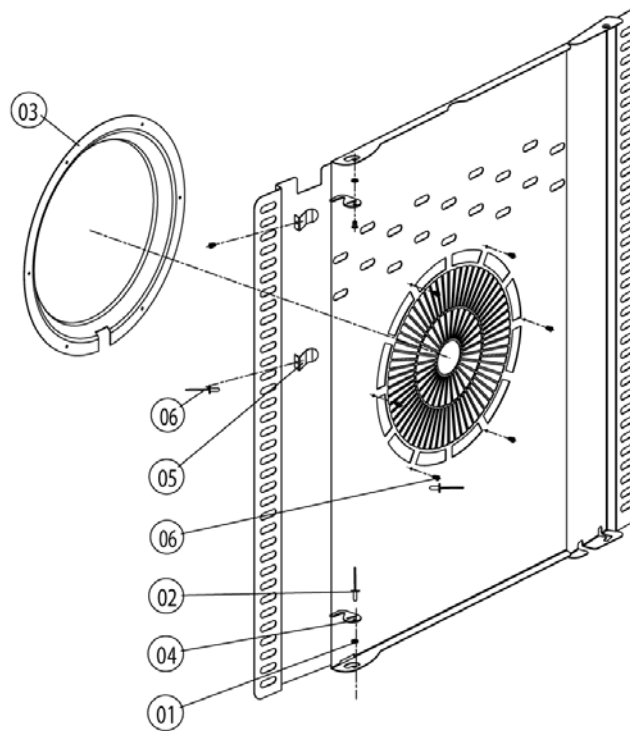
Item no.	Part no	Reference	Description
A		►7.A	Interior cabinet
B	40.00.091	►7.B	Gasket frame w. glass a. gaskets
C	22.00.296	►7.C	Air baffle
3	3024.0201		Halogen bulb for interior cabinet 300°C
4	40.00.227		Wiring interior light
5	20.00.397		Door gasket
6	40.00.608		Meat probe sensor
7	1315.0104		Copper washer 16x20x1,5
8	10.00.422		Hex nut M16
9	3014.0162		Sealing cone for thermocouple
10	3014.0163		Gasket sleeve with nipple
11	40.01.099		Thermocouple interior cabinet (B1)
12	2005.0308		Outlet sieve
15	10.00.070		Hex nut M6



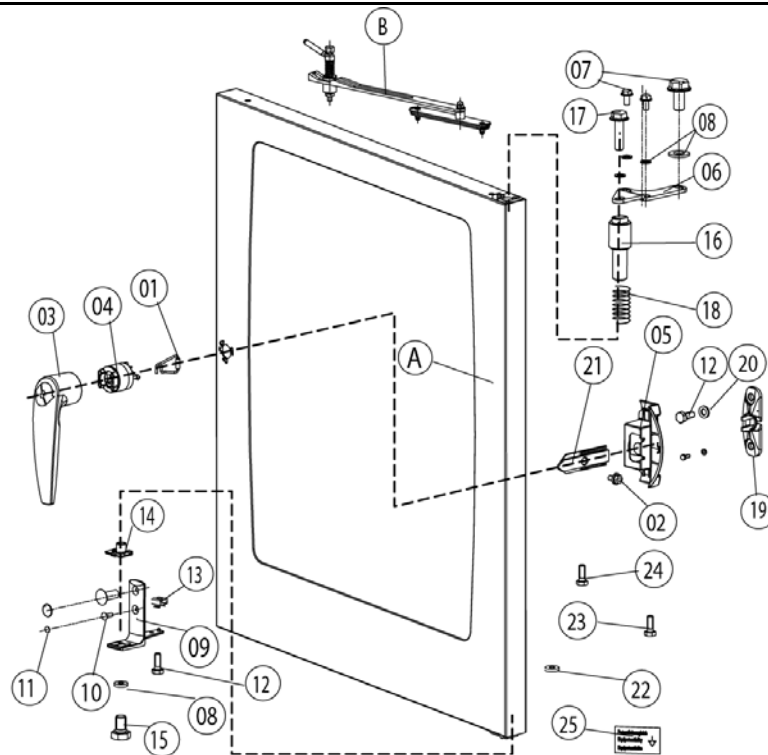
Item no.	Part no	Reference	Description
1	40.00.098		Reflector f. interior light
2	4001.1248		Porcelain connector 2-pin interior light
3	2120.1277		Base for sensor connection
4	1603.0167		Tubular rivet 3,2x0.25x10
5	10.00.041		Rivet nut M5 hexagon closed



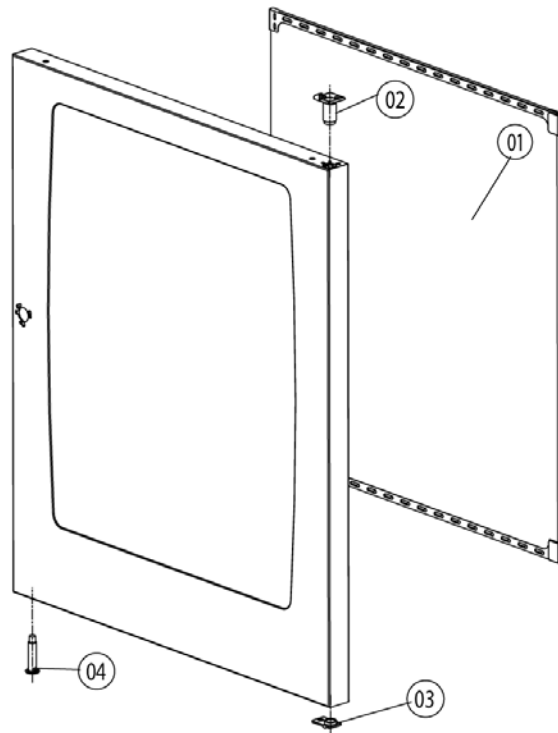
Item no.	Part no	Reference	Description
1	40.00.093		Outer gasket f. interior light
2	40.00.094		Inner gasket f. interior light
3	40.00.095		Glass pane f. interior light
4	40.00.096		Gasket frame f. interior light
5	10.00.682		Phillips countersunk-head screw M5x16



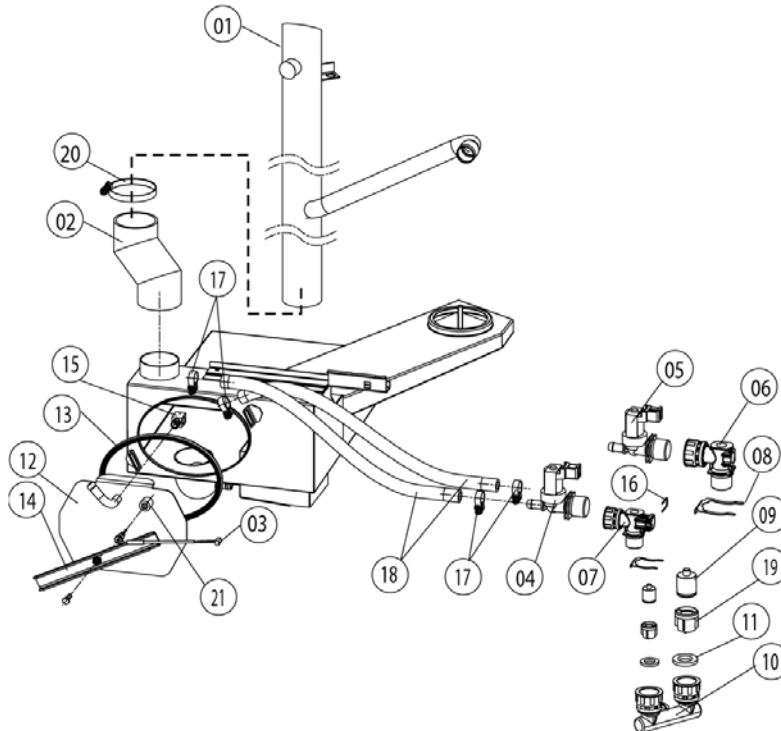
Item no.	Part no	Reference	Description
1	1304.0160		Washer A4,3
2	1604.0167		Rivet 4x10
3	22.00.332		Air sucking ring f. air baffle
4	2760.1370		Latch hook for air baffle
5	40.01.289		Fixing clip core temp. cable
6	1603.0168		Rivet 3,2x8 A4
6	1603.0168		Rivet 3,2x8 A4



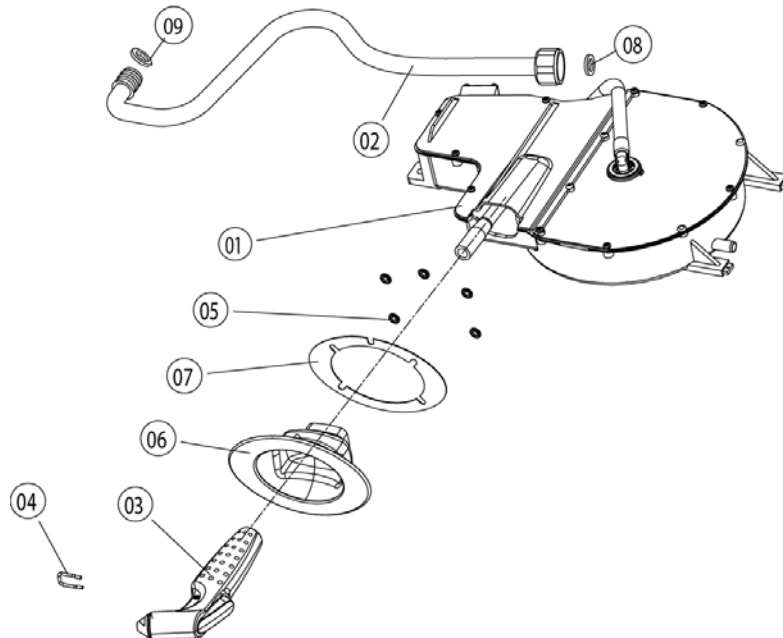
Item no.	Part no	Reference	Description
A	24.00.113	▶8.A	Door
1	24.01.100		Spring clip f. door lock
2	1005.2000		Interlocking tooth screw M5x8
3	24.00.152		Door handle
4	24.00.176		Door lock
5	24.00.504		Lock cover
6	24.00.133		Door mounting support top
7	1008.0768		Ornamental screw M8x16
8	1308.0160		Washer A8,4
9	24.00.223		Door mounting support bottom
10	1006.1962		Countersunk screw Torx M6x16
11	10.00.090		Cap f. Torx T30
12	1006.0760		Hex screw M6x16
13	1106.0802		Cage nut M6
14	24.00.137		Door bolt
15	10.00.099		Hex screw M8x12
16	24.00.048		Door bolt
17	1008.0769		Ornamental screw M8x30
18	2001.0109		Compression spring
19	24.00.141		Holding bracket f. door catch
20	1306.0120		Washer A6,4
21	24.00.142		Door catch
22	1308.0162		Washer A8,4
23	24.01.200		Pan head screw Torx M4x12 T20
24	24.01.199		Slotted pan head screw M6x45 *WDS*



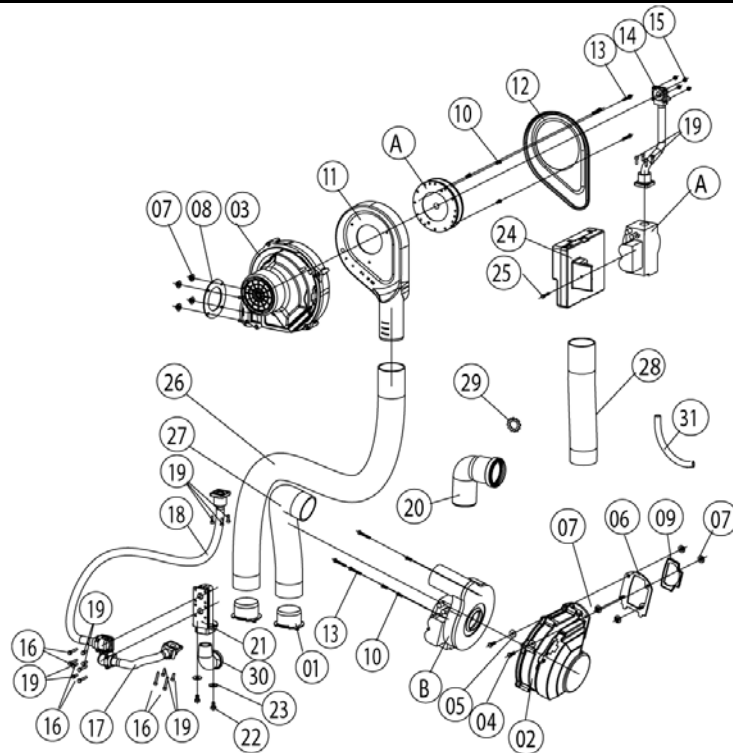
Item no.	Part no	Reference	Description
1	24.00.200		Inner glass pane
2	24.00.147		Sleeve for door bolt top
3	24.00.146		Door setting bolt
4	24.00.502		Fixing device f. magnet with magnet



Item no.	Part no	Reference	Description
1	54.00.220		Exhaust pipe
2	54.00.094		Rubber form piece venting pipe
3	40.00.398		Thermocouple quenching
4	50.00.316		Single solenoid valve
5	50.00.139		Single solenoid valve
6	50.00.071		Water distribution hor. w/o roll guide con.
7	50.00.070		Water distribution hor roll guide con.
8	50.00.086		Locking plate f. water distribution
9	50.00.078		Non return valve DW16/DN12
10	8664.1301		T-fitting water connection
11	5110.1024		Gasket for G3/4" threaded joint
12	54.00.228		Inspection lid f. quenching chamber
14	54.00.225		Clamping bar
15	2016.0936		Quenching nozzle 3.9 l/min
16	50.00.085		Plug-in spring f. hand shower roll guide
17	2066.0205		Hose clamp 8-16x9 mm SW 7mm
18	2067.0050		Pressure hose d10mm
19	1900.0202		Water filter
20	2066.0516		Hose clamp 60-80 mm
21	2120.1277		Base for sensor connection



Item no.	Part no	Reference	Description
1	50.00.140		Hand shower roll guide
2	50.00.273		Connect. pipe f. hand shower roll guide
3	50.00.130		Hand shower
4	50.00.156		Clamp f. hand shower roll guide
5	1107.0100		Star lock ø4
6	50.00.279		Tulip for handshower
7	50.00.298		Tape f. tulip
8	50.00.537		Gasket f. connect.pipe hand shower roll guide
9	50.00.538		O-ring f. connect. pipe f. hand shower roll guide



Item no.	Part no	Reference	Description
A	70.00.068	▶12.A	Gas valve cpl. ND 055 RG148
B	70.00.029	▶12.B	Gas valve cpl. WND 055 RG130
1	70.00.222		Air hose fixing device 50mm
2	70.00.028		Blower for burner RG130
3	70.00.067		Blower for burner RG148
4	1008.0750		Hex screw M5x16
5	1305.0160		Washer A5,3x10mm
6	74.00.310		Flange f. burner blower RG130
7	1105.0122		Hex combination nut M5 V2A
8	70.00.242		Gasket f. steam gen blower RG148
9	74.00.301		Gasket f. blower burner
10	10.00.065		Countersunk screw Torx T20 M4x12
11	70.00.239		Premix chamber gas f. RG148
12	70.00.238		Premix chamber cover gas f. RG148
13	10.00.063		Pan head screw Torx T20 M4x25
14	70.00.246		Pipe gas valve-premix chamber
15	1104.0121		Hex nut M4 self locking
16	10.00.064		Pan head screw Torx T20 M4x30
17	70.00.132		Corrugated hose 110mm
18	70.00.129		Corrugated hose 630mm
19	10.00.061		Pan head screw Torx T20 M4x12
20	70.00.301		Combustion air angle pipe hot air
21	74.00.308		Gas connection manifold 2x3/4"
22	1006.0762		Hex screw M6x10
23	1306.0222		Washer A6,4x15x1,5
24	74.00.221		Automatic ignition controller
25	10.00.062		Pan head screw Torx T20 M4x20
26	70.00.147		Air hose D50x1550mm
27	70.00.125		Air hose D50x880mm



CM 102G

Valid as of **G12ME0404** up to
G12ME0601

Gas unit

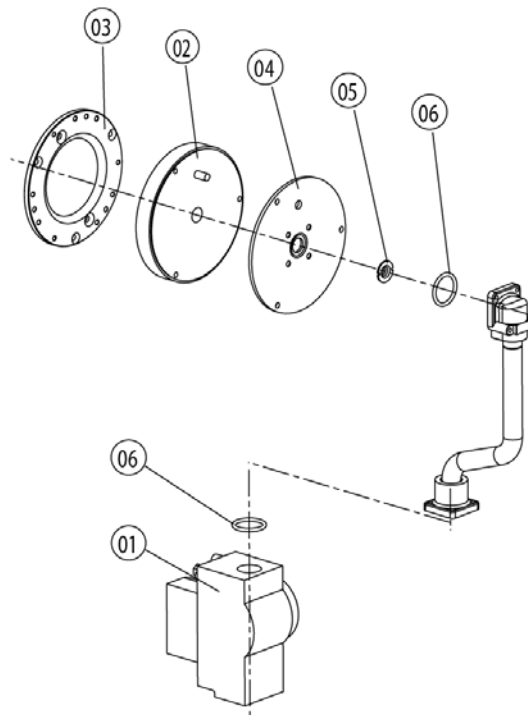
▶ 12 Gas parts

12

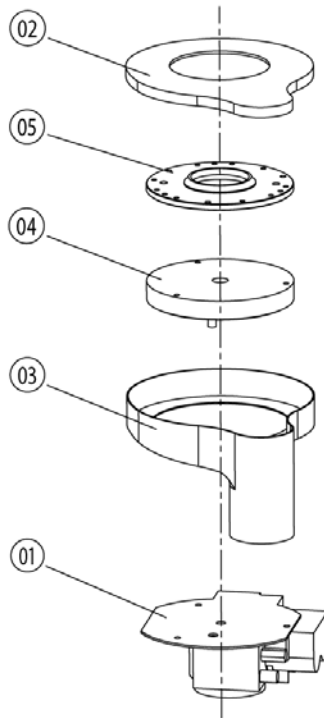
12 Gas parts

Voltage **1 NAC 120V 60Hz**

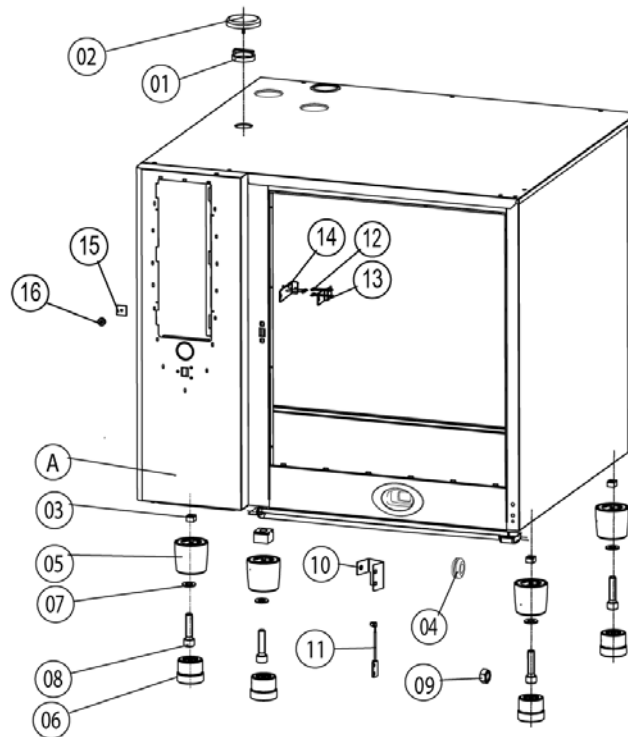
Item no.	Part no	Reference	Description
28	70.00.127		Air hose D50x240mm
29	1204.0120		Tooth lock washer A4,3
30	70.00.188		Hose fitting 3/4"-3/4"
31	70.00.280		Silicone hose ø4x1,5



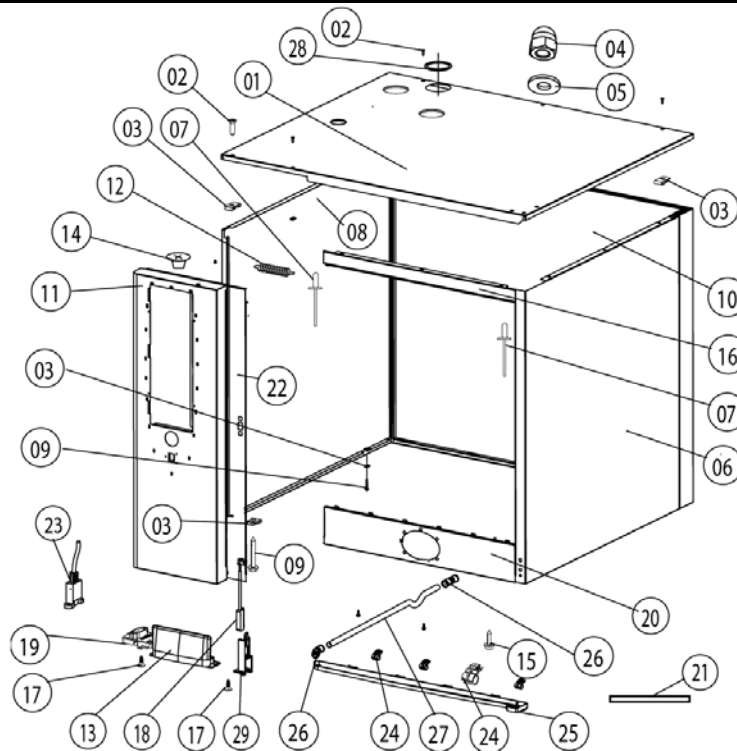
Item no.	Part no	Reference	Description
1	70.00.220		Gas valve GB 055 ND (straight)
2	70.00.106		Premix disc gas
3	70.00.208		Disc premix chamber-blower RG148
4	70.00.108		Disc gas valve-premix chamber
5	70.00.260		Gas nozzle 7mm
6	70.00.261		O-ring 17x1.5



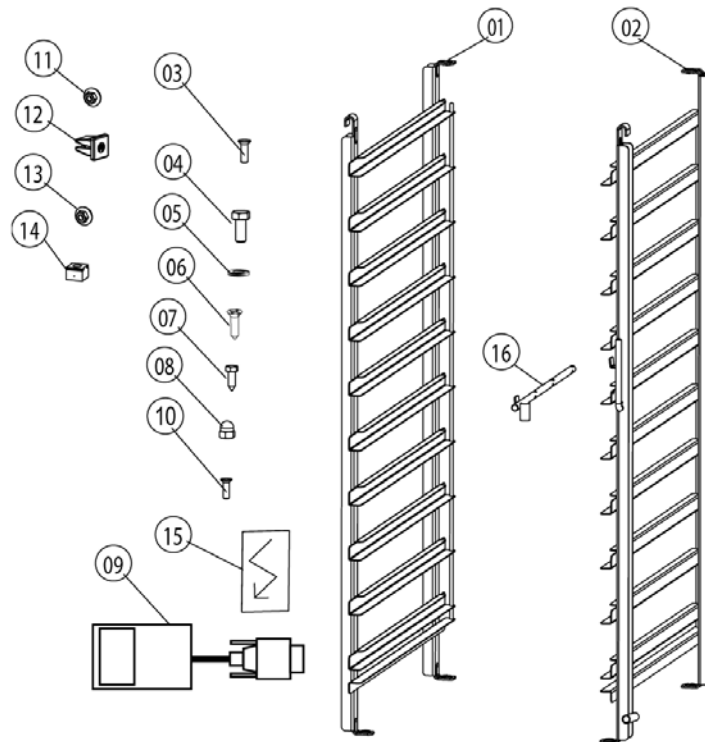
Item no.	Part no	Reference	Description
1	70.00.031		Gas valve GB 055 WND (lateral)
2	70.00.255		Premix chamber cover gas f. RG130
3	70.00.030		Premix chamber gas f. RG130
4	70.00.106		Premix disc gas
5	70.00.256		Disc premix chamber-blower RG130



Item no.	Part no	Reference	Description
A		►13.A	Exterior cabinet
1	8450.1310		Spacer ring
1	22.00.354		Spacer ring
2	8455.1209		Vent cover
2	22.00.353		Vent cover
3	1110.0800		Cage nut M10
3	1110.0800		Cage nut M10
4	2022.0101		Grommet 18 mm
5	12.00.205		Upper part of pedestal
6	12.00.206		Lower part of pedestal
7	1328.0102		Safety washer A10,2
8	10.00.107		Allen screw M10x30
10	16.01.146		Bracket for door contact switch
11	40.00.335		Door switch



Item no.	Part no	Reference	Description
1	16.00.335		Top cover
2	1003.2265		Countersunk self tapping screw 4,2x16
3	1104.0820		Snap nut 4,2mm
4	1105.0260		Cap nut M5, high shape
5	1305.0160		Washer A5,3x10mm
6	16.00.154		Side panel right
7	1603.0166		Rivet 3,2x7,9 CNS closed
8	16.00.155		Side panel left
9	10.00.102		Hex self tapping screw B4,2x32
10	16.00.188		Back panel
11	16.00.299		Front panel
12	2002.0107		Tension spring for front panel
13	16.00.673		Air inlet filter
14	2039.0331		Cap for service door
15	1004.2160		Hex self tapping screw 4,2x16
16	16.00.331		Crossbar top
17	10.00.103		EJOT PT-screw KA 3.5x10
18	40.00.454		Door switch 1.65m
19	16.00.360		Cover f. RS232 interface
20	16.00.322		Crossbar below f. tulip
21	16.00.338		Edge protection profile
22	16.00.681		Crossbar front panel
24	50.00.296		Clip f. drip collector
25	50.00.300		Drip collector
26	50.00.303		Bushing drip collector
27	50.00.304		Drain drip collector
27	50.00.557		Drain drip collector
28	5105.1028		Gasket f. breather tube d=74mm
29	16.00.384		Bracket for door contact switch



Item no.	Part no	Reference	Description
1	60.12.003		Hinging rack left
2	60.12.004		Hinging rack right
3	10.00.448		Phillips countersunk-head screw M5x16
5	1208.0160		Tooth lock washer A8,4
6	10.00.444		Raised countersunk head screw Torx M4x8
8	1106.0360		Cap nut M6, high shape
9	42.00.030		Memory-Stick
11	1105.0123		Hex combination nut M4
15	4019.0008		Sticker Electric/Danger
16	60.60.574		Positioning support f. core sensor