

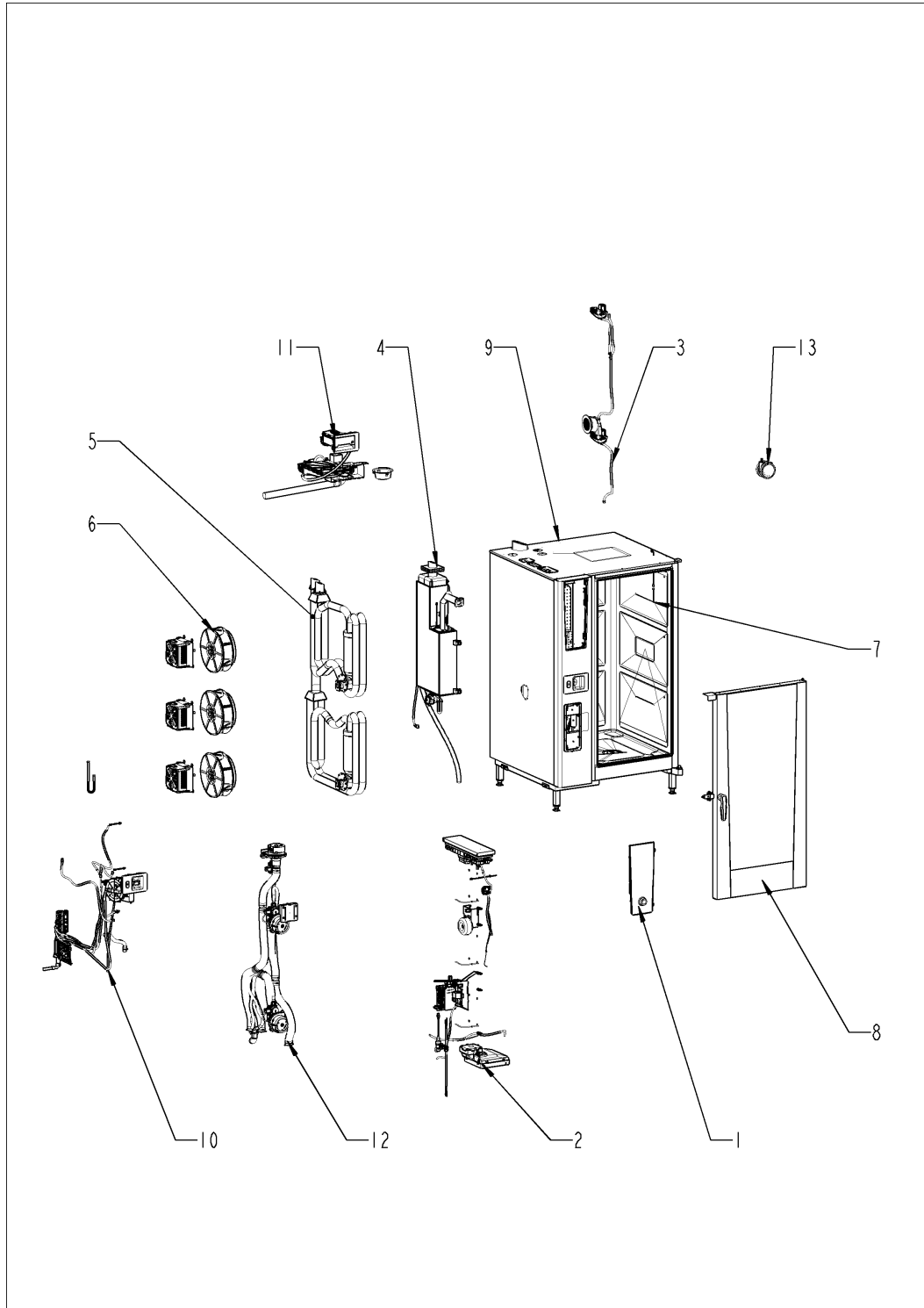
Service part catalogue

iCombi® as of 03/2020 202 - 20 x 2/1 Gastronorm

G22SJ20092847114



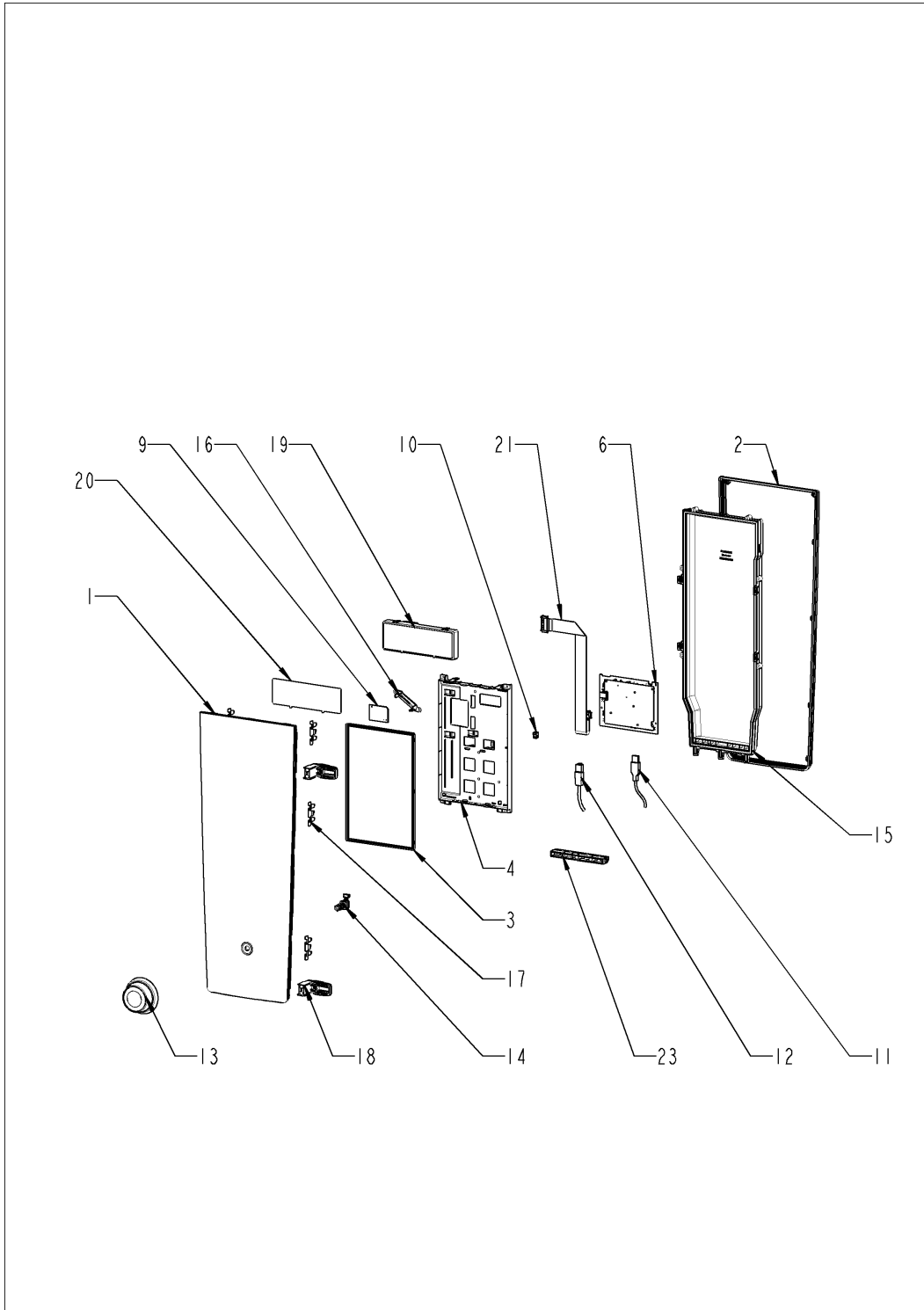
Overview



Overview

Pos. 1 Control panel	4
Pos. 2 Electrical installation	6
Pos. 3 ClimaPlus	13
Pos. 4 Steam generator	15
Pos. 5 Hot air heating	18
Pos. 6 Motor and fan wheel	24
Pos. 7 Interior cabinet	26
Pos. 8 Door	28
Pos. 9 Exterior cabinet	34
Pos. 10 Water	38
Pos. 11 CleanJet + Care	40
Pos. 12 Gas parts	42
Pos. 13 Standard accessory	44
Pos. 20 Repair and retrofit kit	62

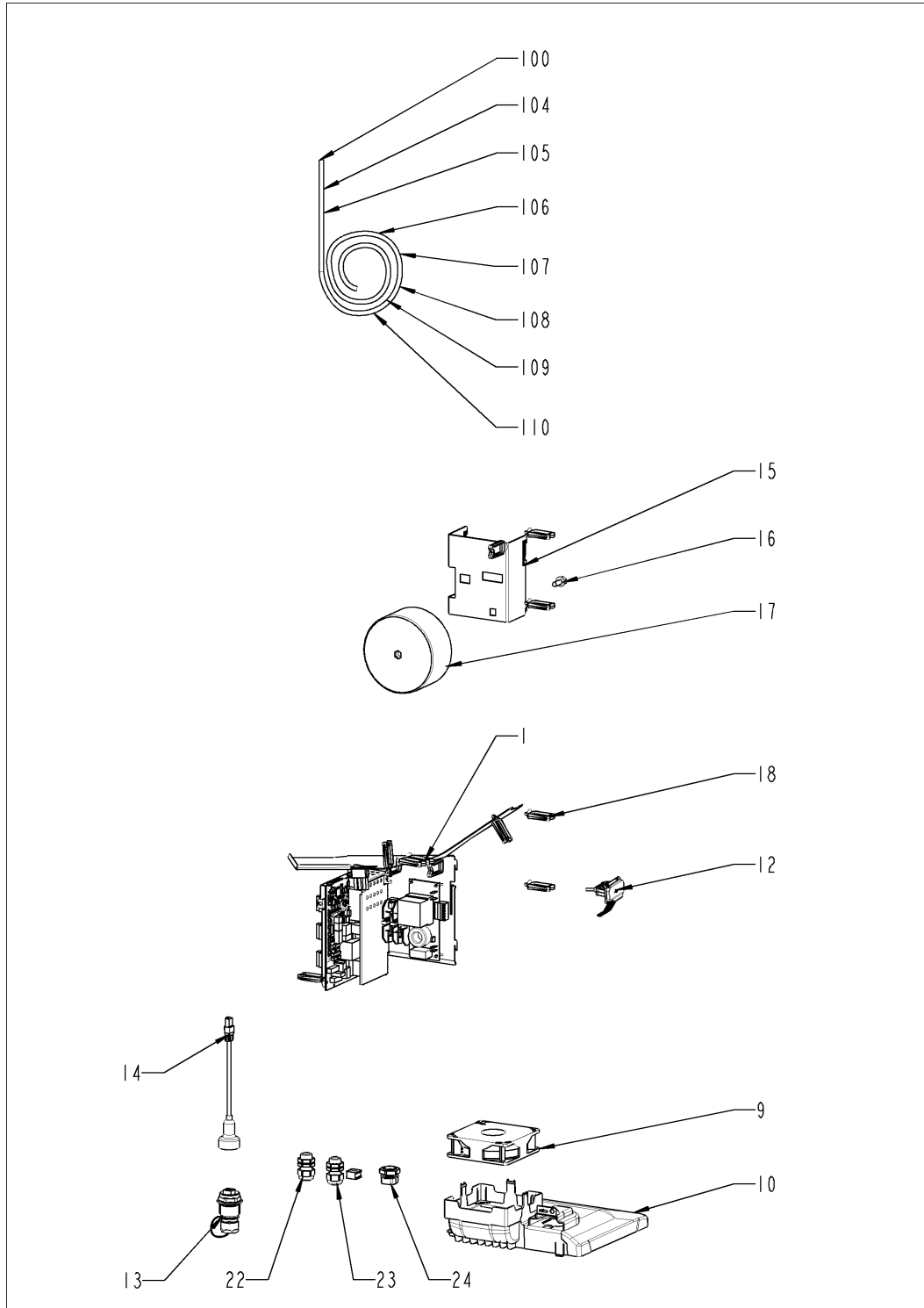
Pos. 1 Control panel



Pos. 1 Control panel

Pos.	Part no.	Description	Qty.
1	87.01.535S	Control panel insert with touch/TFT *RAT*	1
2	16.03.342P	Sealing f. panel insert	1
3	42.00.357P	Display *TFT*	1
4	16.03.747P	Fixing display / pcb	1
6	42.00.251P	Control pcb (w/o SD-Card)	1
8	42.00.359P	Micro SD card	1
9	42.00.346P	Sensor on / off	1
10	40.06.760P	Cable control pcb - capacitive switch	1
11	40.06.044P	USB socket with cable	1
12	40.06.410P	Interface cable LAN 2m	1
13	16.03.756P	Dial f. pulse generator	1
14	40.06.037P	Pulse generator	1
15	16.03.735P	Cover f. control pcb w. gasket	1
16	16.04.204S	On-Off sensor support	1
17	16.03.748P	Metal cramp f. panel insert	6
18	16.03.749P	Hook for parking position	2
21	40.06.569P	Cable CPU - TFT	1
23	16.03.701P	Sealing block LAN	1

Pos. 2 Electrical installation



Pos. 2 Electrical installation

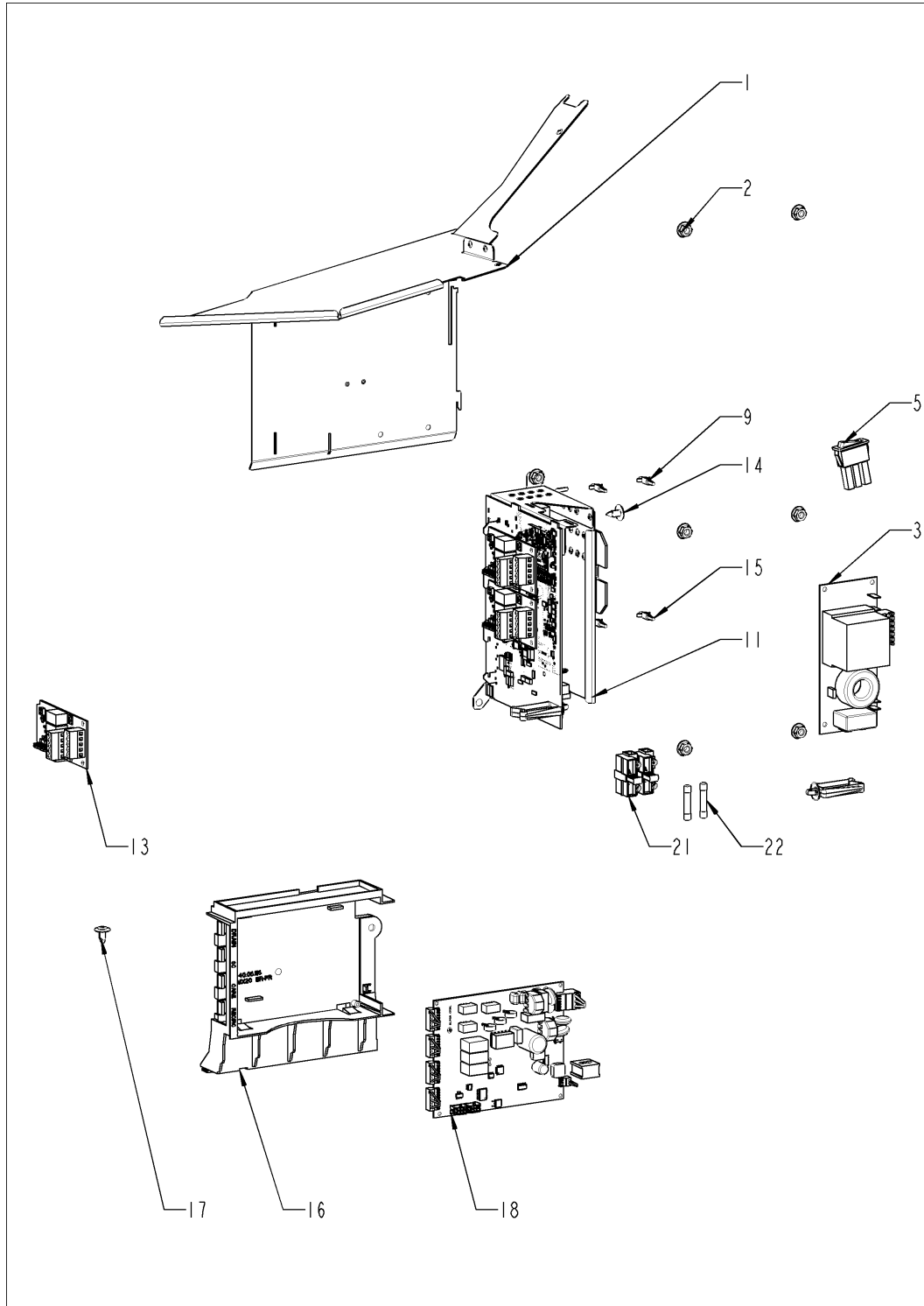
Pos.	Part no.	Description	Qty.
1		Electrical installation	1
9	40.06.355P	Cooling fan	1
10	87.01.619S	Air shaft cpl.	1
12	87.01.741S	Interface USB	1
13	40.05.509P	Interface LAN IPX6	1
14	40.06.410P	Interface cable LAN 2m	1
15	40.06.681S	Mounting support power transformer	1
16	10.01.208P	Hex screw M8x80 A2	1
17	40.03.468P	Power transformer	1
18	40.06.878P	Cable holder	12
22	40.00.320S	Cable gland M20x1.5	1
23	40.00.320S	Cable gland M20x1.5	1
24	40.04.495P	Cable connection M25 ø5mm *divisible*	1
25	3019.0120P	Fuse 5x20mm	1
100	40.06.067P	Cable control harness	1
104	40.06.405P	Cable harness isolating transformer	1
105	40.06.242P	Cable, circulation pump	1
106	40.06.245P	Cable, sewage pump	1
107	40.06.248P	Cable SC pump	1
108	40.06.251P	Cable, Care pump	1
109	40.06.718P	Cable, interior light W57 *door lighting*	1
112	40.06.757P	Power supply cable 3xAWG14 3m	1
113	40.06.854P	Cable A10-1xAxx	1
114	40.07.149P	Bus cable 2.08m	1
115	40.05.858P	Bus cable 1.08m	1
116	40.07.147P	Bus cable 1.96m	1
117	40.05.858P	Bus cable 1.08m	1
118	40.05.858P	Bus cable 1.08m	1
121	40.05.858P	Bus cable 1.08m	1
129	40.07.451P	Cable hot air probe - eSTB	1

**iCombi® as of 03/2020 202 - 20 x 2/1 Gastronorm
G22SJ20092847114**



Pos.	Part no.	Description	Qty.
130	40.07.452P	Cable, steam probe - eSTB	1

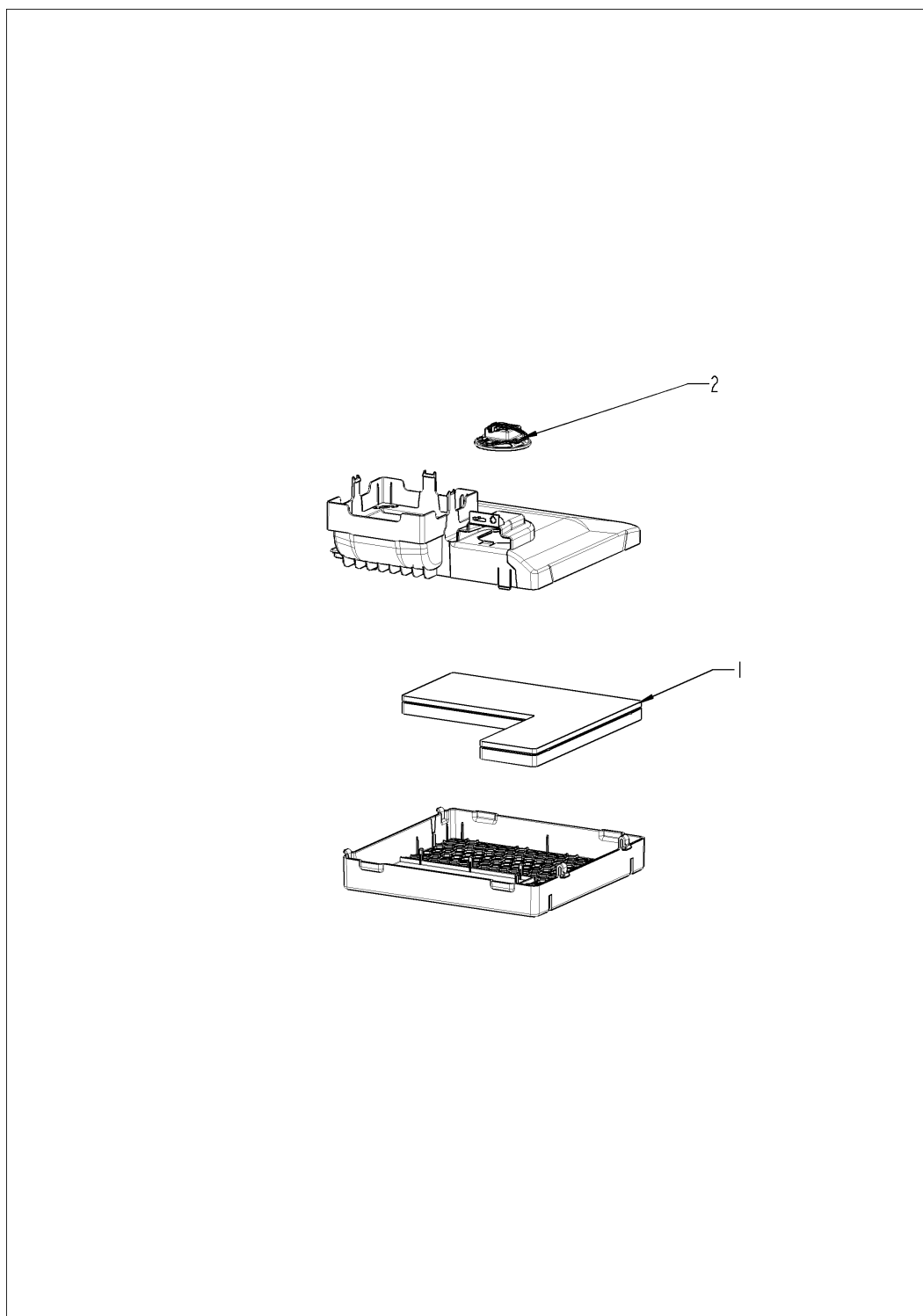
Electrical installation



Electrical installation

Pos.	Part no.	Description	Qty.
1	40.06.408P	Electrical mounting plate	1
2	10.00.709P	Hex nut M6 w. locking	1
3	42.00.286P	Power supply	1
5	40.01.358P	Rocker switch 1 pole	1
9	40.03.756P	Fixing clip f. pcb	1
11	40.05.919P	IO-module	1
14	10.00.989P	Rivet with screw	1
15	40.03.756P	Fixing clip f. pcb	1
16	40.06.116S	Mounting support for pump pcb	1
17	10.00.989P	Rivet with screw	1
18	42.00.273P	Pump pcb	1
21	40.01.487P	Fuse holder 2pol	1
22	40.01.873P	Fuse SC-15A 10x38	2
28	40.06.767P	Fuse 4A *Typ 5HT 4-R*	1

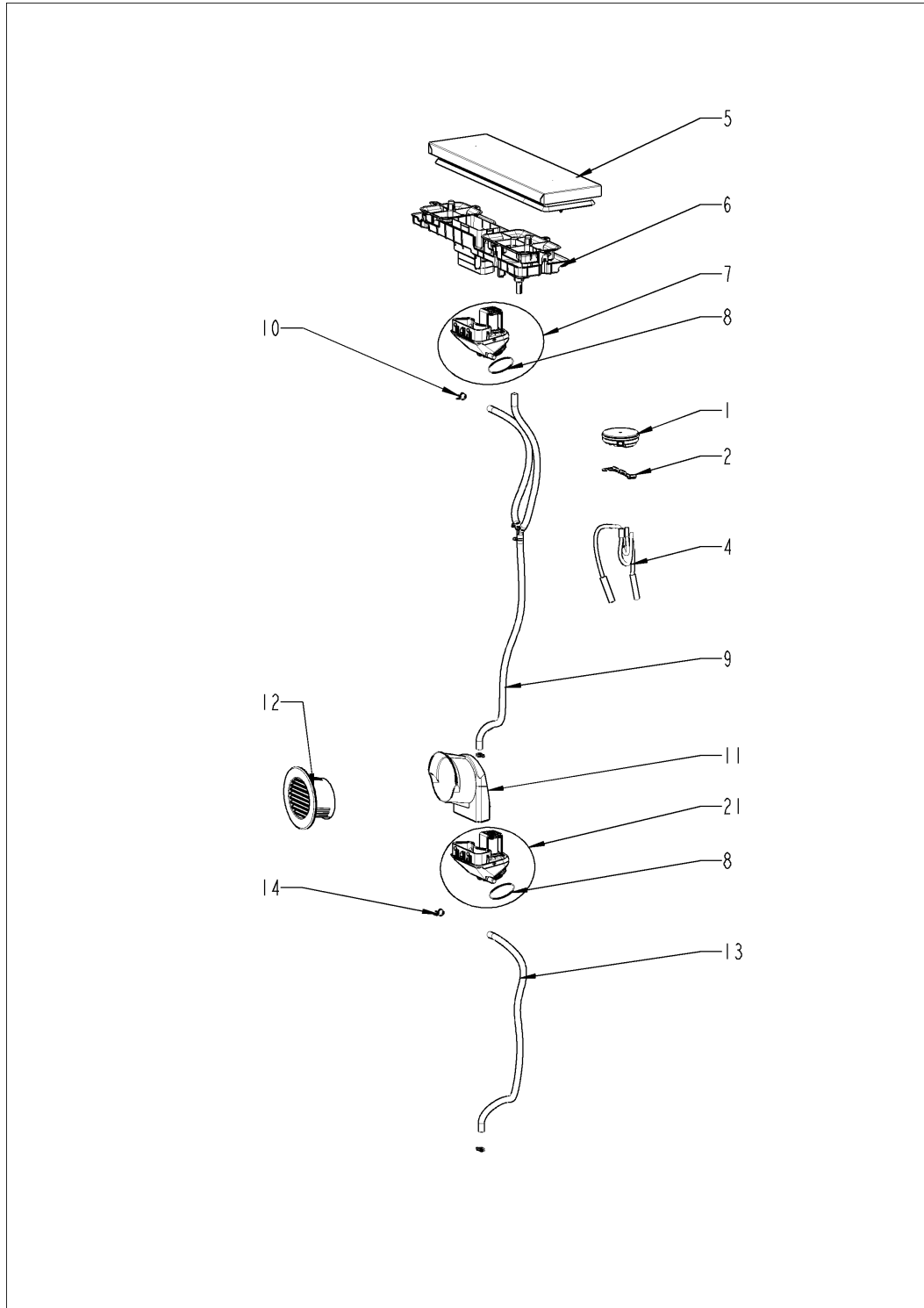
Air shaft cpl.



Air shaft cpl.

Pos.	Part no.	Description	Qty.
1	40.05.654P	Air inlet filter cpl.	1
2	40.07.257P	Loudspeaker K 64 WP FR	1

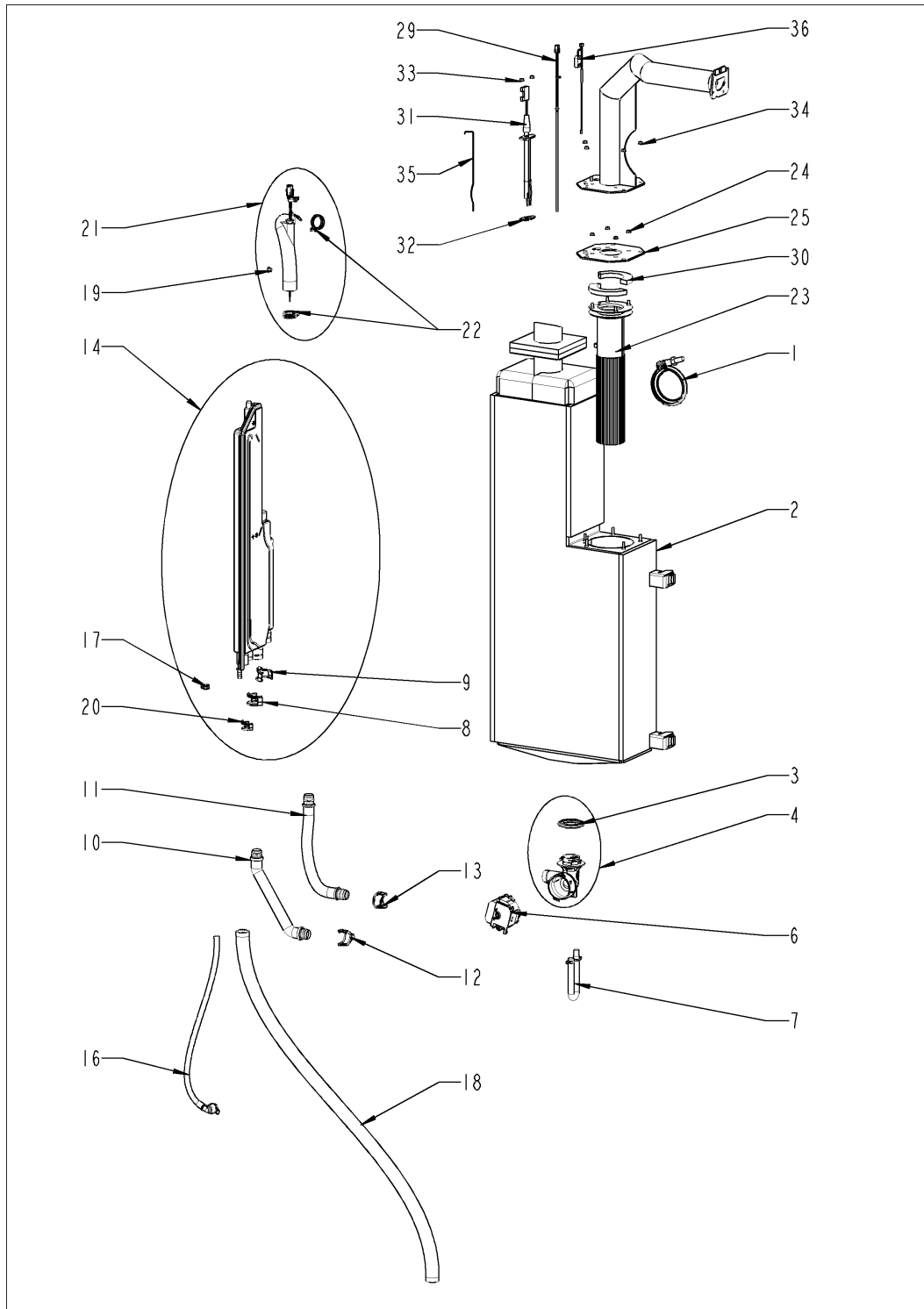
Pos. 3 ClimaPlus



Pos. 3 ClimaPlus

Pos.	Part no.	Description	Qty.
1	40.06.801P	Pressure sensor Huba 5 mbar	1
2	40.05.702P	Mounting device f. pressure sensor	1
4	22.01.495P	Hose set f. humidity control	1
5	40.06.214P	Vent cover	1
6	40.06.570P	Ventilation at top	1
7	22.01.402P	Humidity control cpl.	1
8	10.01.694P	O-ring for humidity control	4
9	22.01.468P	Drain hose for humidity control, top	1
10	2066.0527P	Hose clamp ø14mm	4
11	22.01.385P	Air inlet pipe	1
12	22.01.456P	Vent cover, left	1
13	22.01.402P	Humidity control cpl.	1
14	2066.0527P	Hose clamp ø14mm	2
21	22.01.402P	Humidity control cpl.	1

Pos. 4 Steam generator



Pos. 4 Steam generator

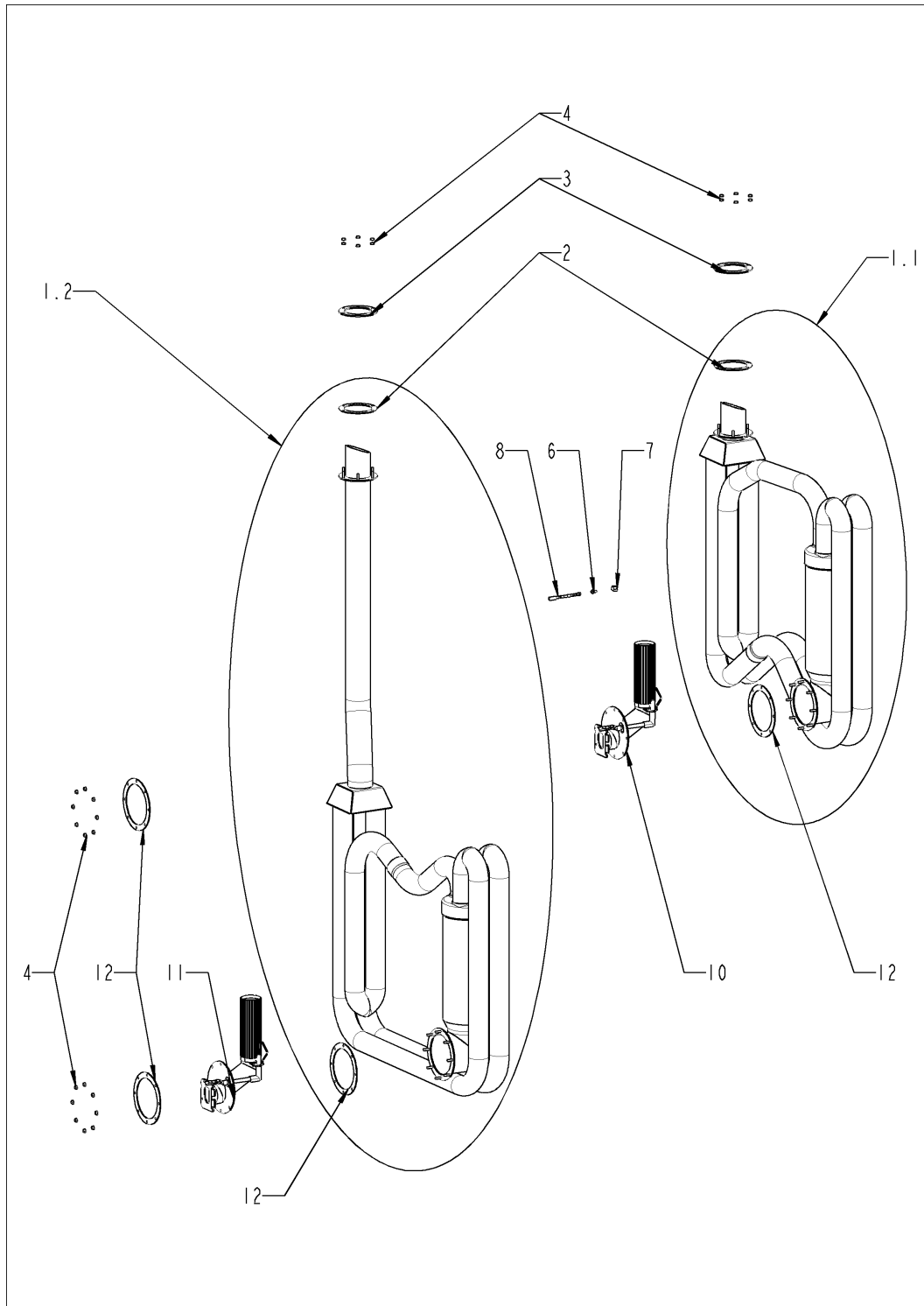
Pos.	Part no.	Description	Qty.
1	72.00.490P	V Clamp 70mm right	1
2	87.01.627S	Kit Steam generator insolated	1
3	44.02.200P	Gasket SC pump	1
4	44.02.179S	Pump housing	1
5	56.01.631P	O-ring for pump	1
6	56.01.024P	Emptying pump	1
7	44.02.287P	Emergency drainage hose	1
8	10.01.707P	Locking ring 25mm	1
9	10.01.707P	Locking ring 25mm	1
10	44.02.227S	Supply hose safety armature	1
11	44.02.797S	Drain hose steam generator	1
12	10.01.707P	Locking ring 25mm	1
13	10.01.707P	Locking ring 25mm	1
14	87.01.548S	Safety device / water supply for steam generator	1
16	50.02.121P	Hose, water supply, steam generator	1
17	2066.0205P	Hose clamp 8-16x9 mm SW 7mm	1
18	44.02.232P	Drain hose steam generator	1
19	44.01.505P	Grommet Ø12x8,2	1
20	10.01.703P	Locking ring 16 mm	1
21	44.02.496S	Molded hose with level electrode	1
22	2066.0518P	Hose clamp 30mm	2
23	70.01.279S	Burner steam gen. kit	1
24	10.01.065P	Hex nut M5	1
25	72.00.408P	Gasket f. burner carrier	1
29	40.06.131P	Temperature sensor eSTB 240mm *S*	1
30	72.00.077P	Insulation f. burner steam gen.	1
31	70.01.250S	Ignition electrode kit for steam generator	1
32	70.01.258P	Gasket f. ignition electrode	1
33	10.01.065P	Hex nut M5	2
34	10.01.065P	Hex nut M5	5

**iCombi® as of 03/2020 202 - 20 x 2/1 Gastronorm
G22SJ20092847114**



Pos.	Part no.	Description	Qty.
35	72.00.505P	Fixing plate steam generator thermostat	1
36	40.06.722P	Thermocouple steam generator *B5*	1

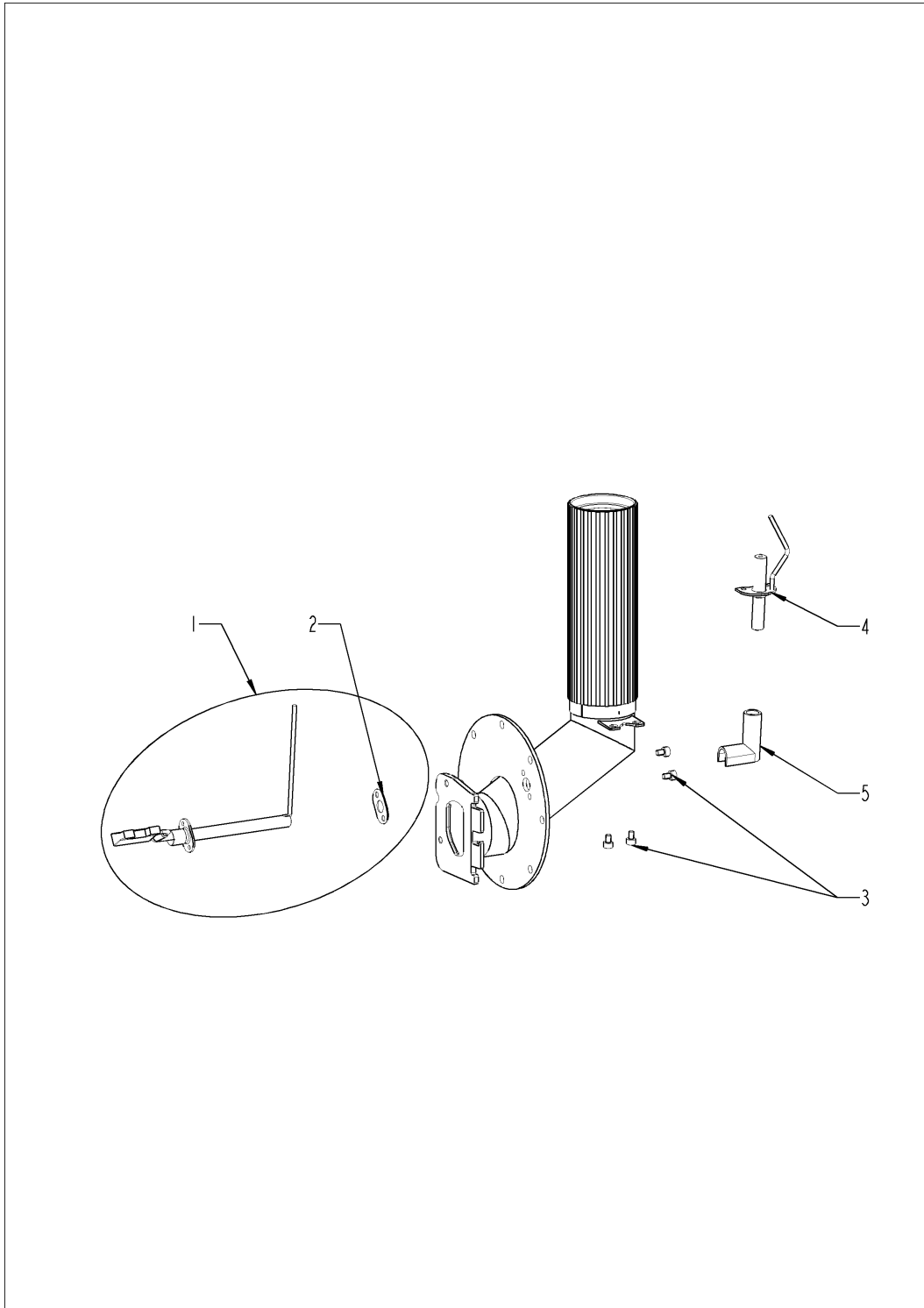
Pos. 5 Hot air heating



Pos. 5 Hot air heating

Pos.	Part no.	Description	Qty.
1.1	74.01.163S	Hot air heat exchanger top	1
1.2	74.01.169S	Hot air heat exchanger below	1
2	74.01.119P	Gasket hot air heat exchanger/interior cabinet	4
3	74.01.118P	Mating flange heat exchanger	2
4	10.01.065P	Hex nut M5	12
6	50.02.004P	Nozzle f. moistening	1
7	50.02.005P	Union nut	1
8	50.02.006P	Plastic pipe PEEK	1
10	87.01.655S	Burner hot air	1
11	87.01.658S	Burner hot air	1
12	74.00.296P	Gasket f. heat exchanger below	2

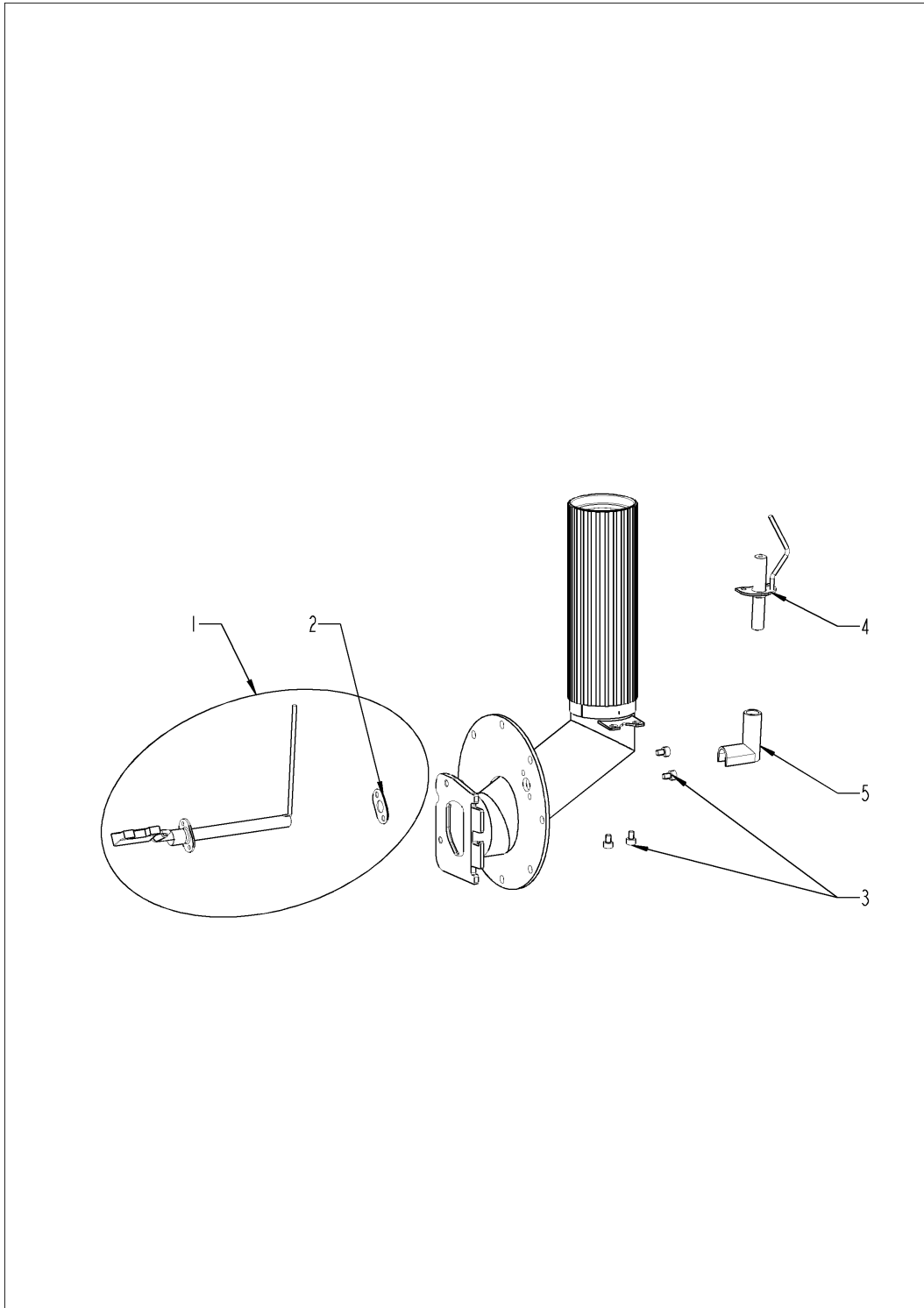
Burner hot air



Burner hot air

Pos.	Part no.	Description	Qty.
1	70.01.572S	Ignitionelectrode, hot air 350mm	1
2	74.00.290P	Gasket electrode hot air	1
3	10.00.696P	Allen screw M4x6 w. Precoat 85	4
4	70.01.574P	Earth electrode, hot air	1
5	74.00.913P	L- insulator for ignition electrode, hot air	1

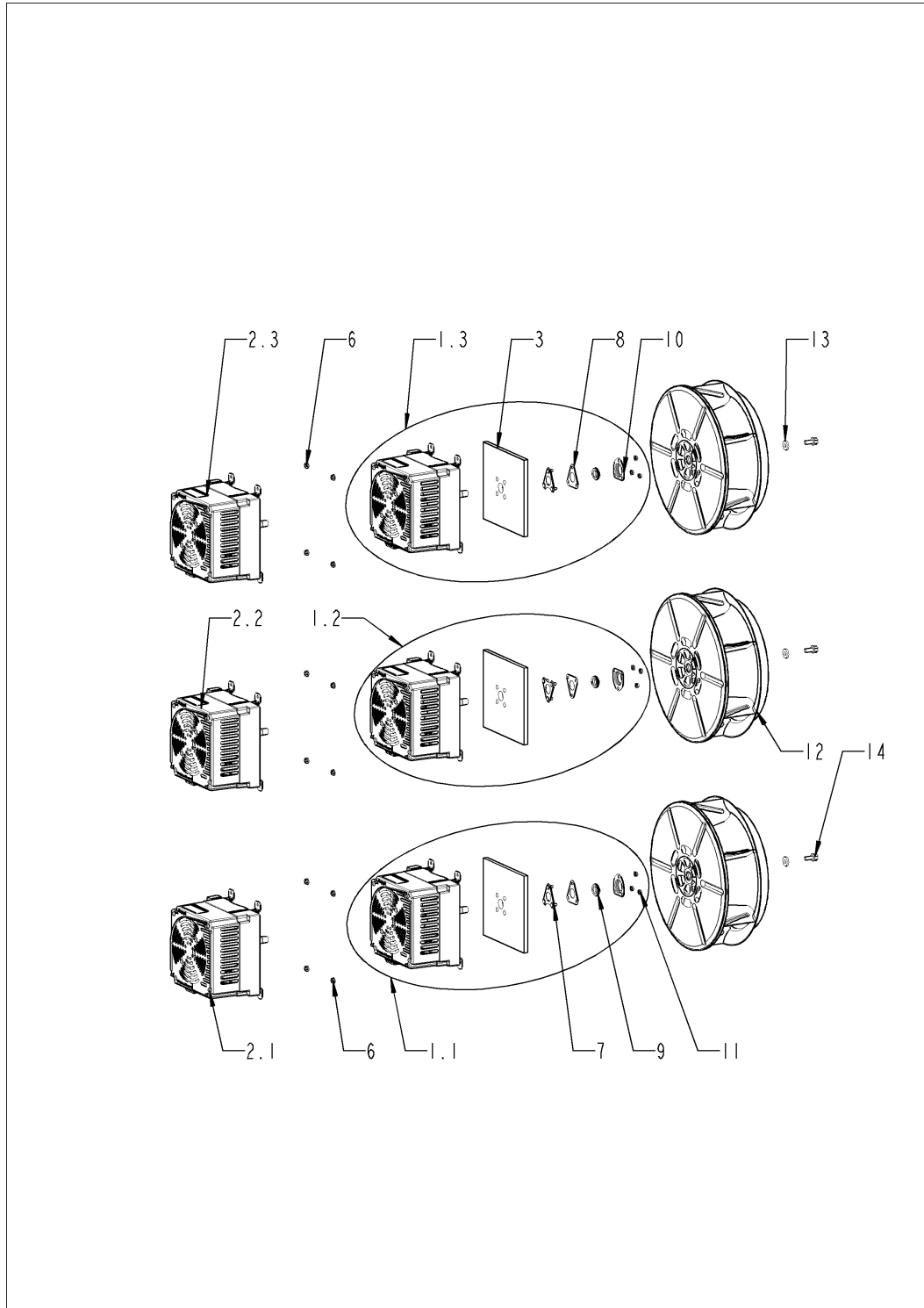
Burner hot air



Burner hot air

Pos.	Part no.	Description	Qty.
1	70.01.573S	Ignitionelectrode, hot air 960mm	1
2	74.00.290P	Gasket electrode hot air	1
3	10.00.696P	Allen screw M4x6 w. Precoat 85	4
4	70.01.574P	Earth electrode, hot air	1
5	74.00.913P	L- insulator for ignition electrode, hot air	1

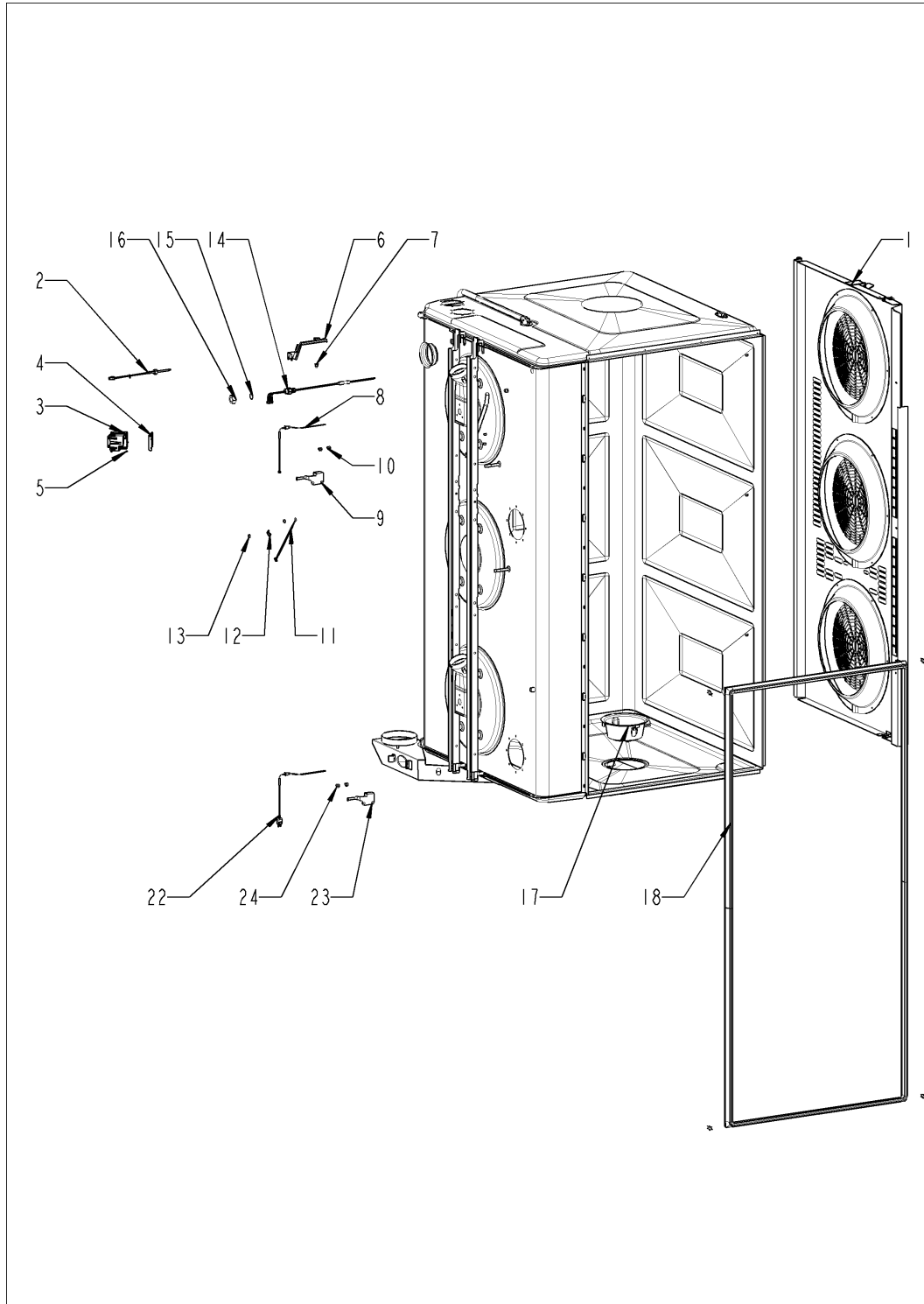
Pos. 6 Motor and fan wheel



Pos. 6 Motor and fan wheel

Pos.	Part no.	Description	Qty.
1.1	87.01.559S	Fan motor	1
1.2	87.01.559S	Fan motor	1
1.3	87.01.559S	Fan motor	1
2.1	42.00.278P	Motor control for fan motor	1
2.2	42.00.278P	Motor control for fan motor	1
2.3	42.00.278P	Motor control for fan motor	1
3	20.02.807P	Isolation for mounting plate for motor	3
6	10.00.709P	Hex nut M6 w. locking	12
7	22.01.423P	Mounting support f. gasket flange	3
8	22.01.425P	Graphit seal for gasket flange	3
9	22.00.985P	Motor shaft gasket D15	3
10	22.01.427P	Flange f. motor shaft gasket	3
11	10.01.065P	Hex nut M5	9
12	22.01.151S	Fan wheel	3
13	1308.0162P	Washer A8,4	3
14	10.00.936P	Hex screw M8x20	3

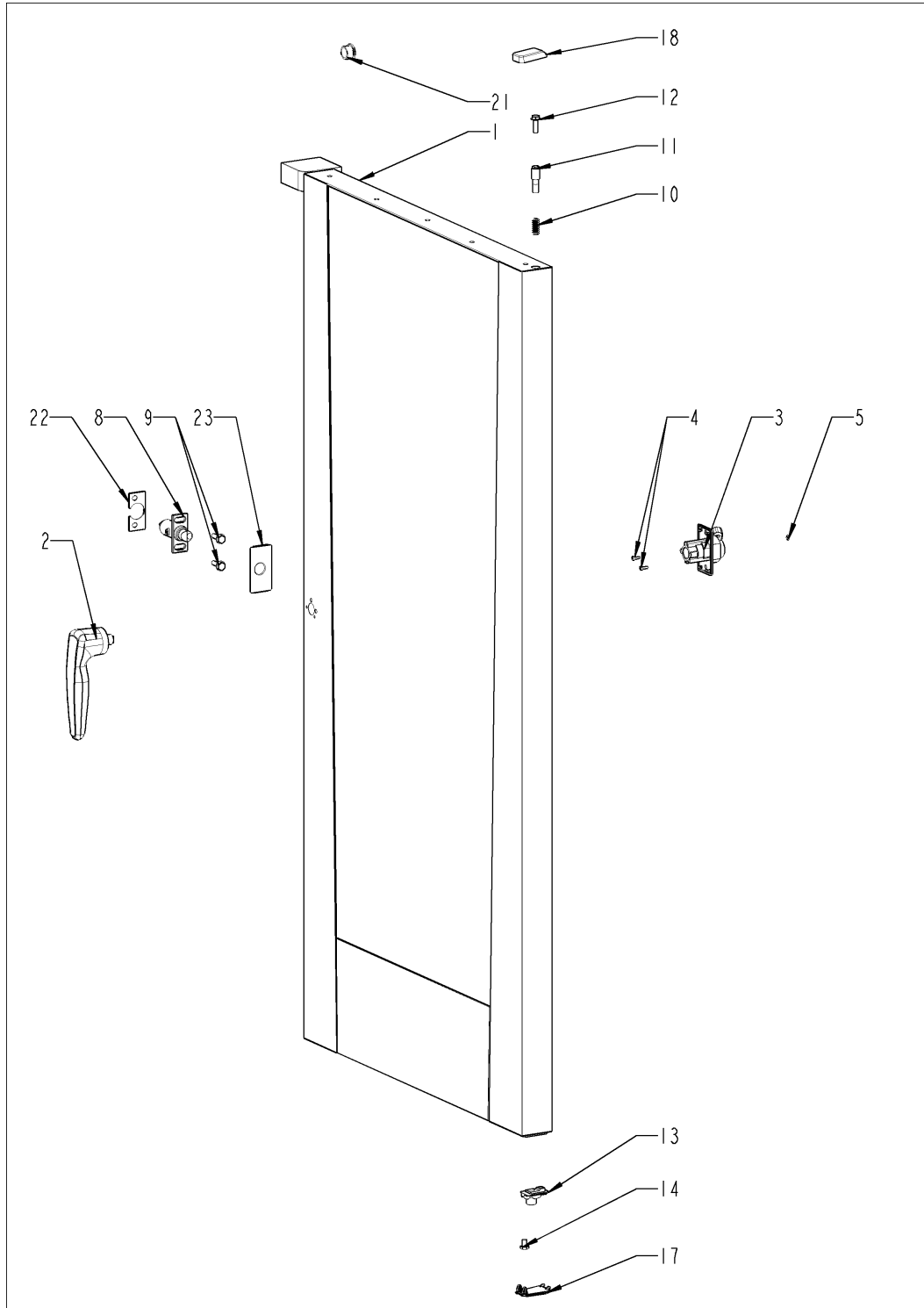
Pos. 7 Interior cabinet



Pos. 7 Interior cabinet

Pos.	Part no.	Description	Qty.
1	22.01.329P	Air baffle	1
2	40.06.112S	Temperature sensor eSTB *HA*	1
3	40.06.684P	Safety temperature limiter	1
4	40.06.053P	Fixing device for safety temperature limiter	2
5	10.00.515P	Rivet 3,2x8 A2/NSF	2
6	40.06.098P	Screen core temperature sensor	1
7	10.01.076P	Cap nut M5*A2	1
8	40.06.876P	Thermocouple interior cabinet B1	1
9	40.06.877P	Screen interior cabinet sensor	1
10	10.01.076P	Cap nut M5*A2	2
11	40.06.792S	Thermocouple humidity *B4*	1
12	10.00.087P	Clamp strap f. sensor	1
13	10.01.065P	Hex nut M5	1
14	40.06.811P	Core temperature probe	1
15	1315.0104P	Copper washer 16x20x1,5	1
16	10.01.751P	Hex nut M16 DIN934 A2	1
17	56.01.503P	Outlet sieve	1
18	20.00.399P	Door gasket	1
22	40.06.730P	Thermocouple interior cabinet B9	1
23	40.05.489P	Screen interior cabinet sensor	1
24	10.01.076P	Cap nut M5*A2	2

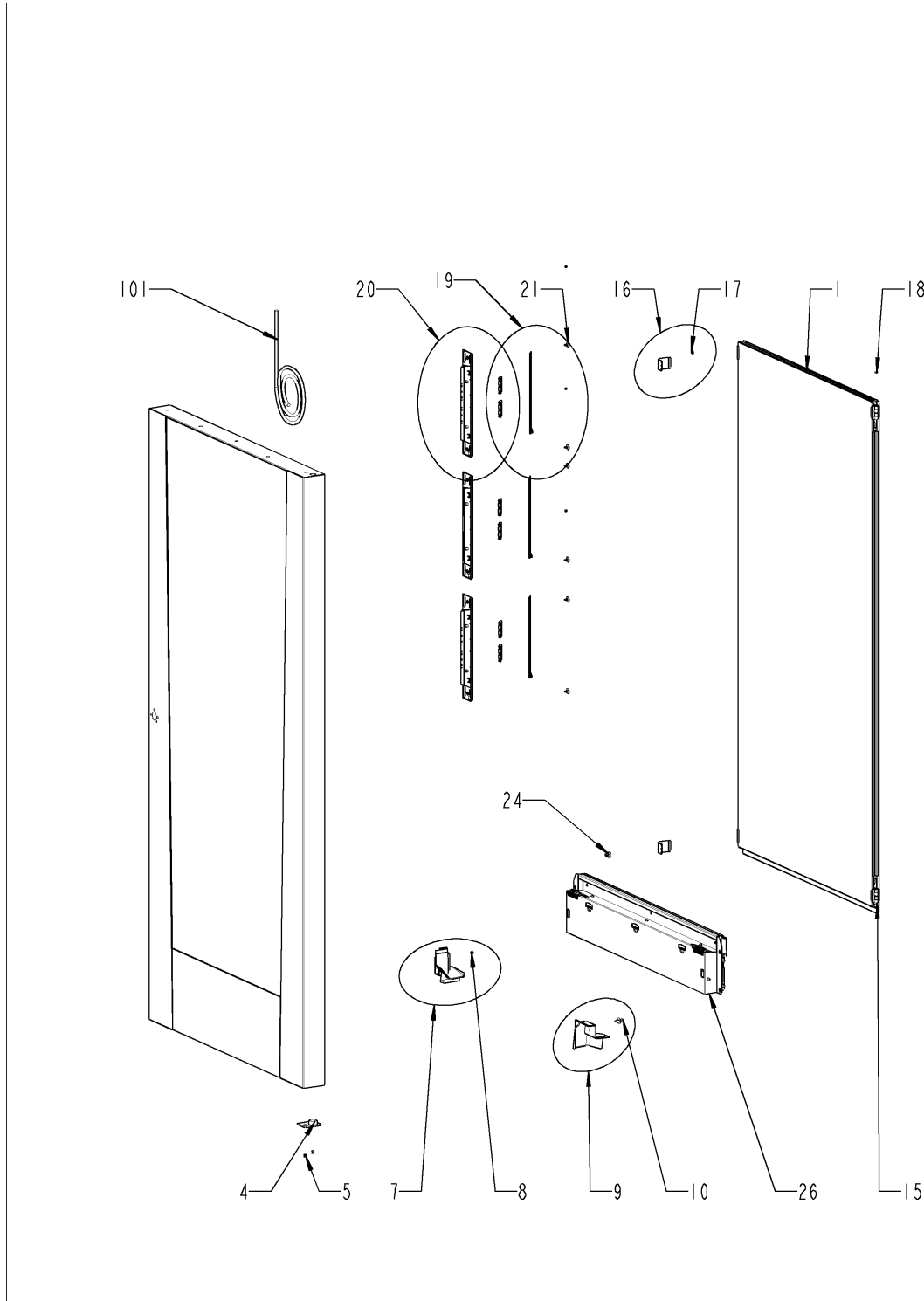
Pos. 8 Door



Pos. 8 Door

Pos.	Part no.	Description	Qty.
1	24.04.112S	Door	1
2	24.04.065P	Door handle RATIONAL	1
3	24.04.244S	Door lock	1
4	10.01.776P	Pan head screw Torx T20 M4x12	2
5	10.00.090P	Cap f. Torx T30	1
8	24.01.351P	Door catch	1
9	10.00.936P	Hex screw M8x20	2
10	2001.0109P	Compression spring	1
11	24.03.040P	Door bolt	1
12	10.01.880P	Ornamental screw M8x25	1
13	24.04.245P	Door bolt	1
14	10.00.099S	Hex screw M8x12	1
17	12.02.605P	Cap for door mounting support bottom	1
18	16.04.110P	Cover for door mounting support	1
21	24.05.002P	Stop spacer	1
22	87.01.810S	Spacer plate door catch	1
23	24.02.263P	Cover for door latch	1

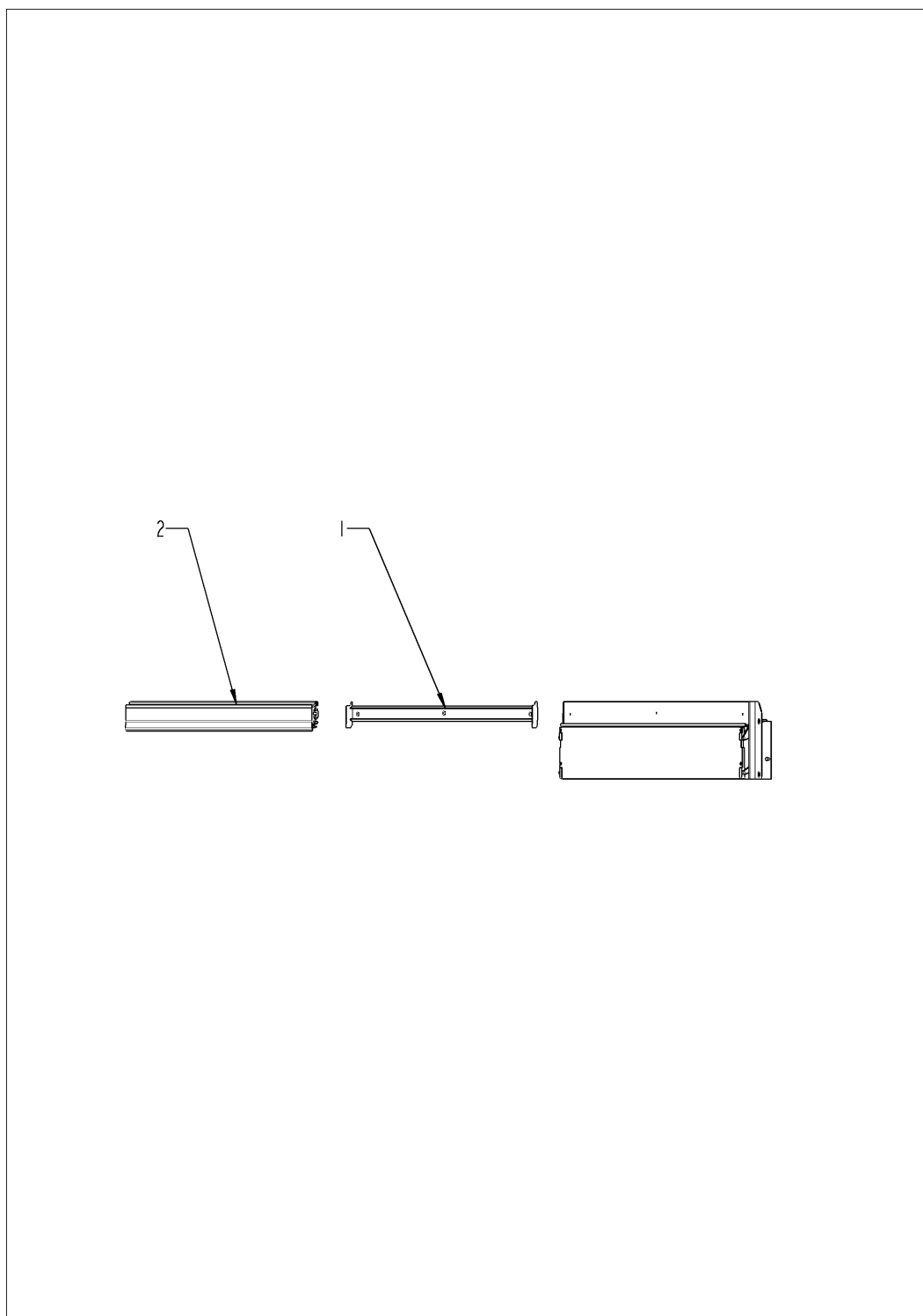
Door



Door

Pos.	Part no.	Description	Qty.
1	24.04.904S	Glass pane bundle	1
4	24.04.219P	Door setting bolt	1
5	10.00.904P	Rivet B4x8	2
7	24.04.471S	Drain gutter (incl. door magnet)	1
8	1604.0161P	Rivet 4x6 CNS	1
9	24.04.212S	Bracket right f. door floor model	1
10	10.00.989P	Rivet with screw	1
15	24.03.057P	Abrasion protection for glide socket	1
16	24.03.787S	Fixing bracket kit for interior glass pane	2
17	10.02.416P	Rivet Ø4x8, A2	2
18	24.03.062P	Cover cap for door	1
19	87.01.578S	LED bar	6
20	87.01.586S	LED optics	6
21	24.05.458P	Plastic spreader rivet	12
24	24.01.259P	Plastic buffer 8,1mm for door	5
26	24.04.232S	Pre heat mechanism f. door cpl.	1
101	87.01.595S	Cable, interior light W40 *door lighting*	1

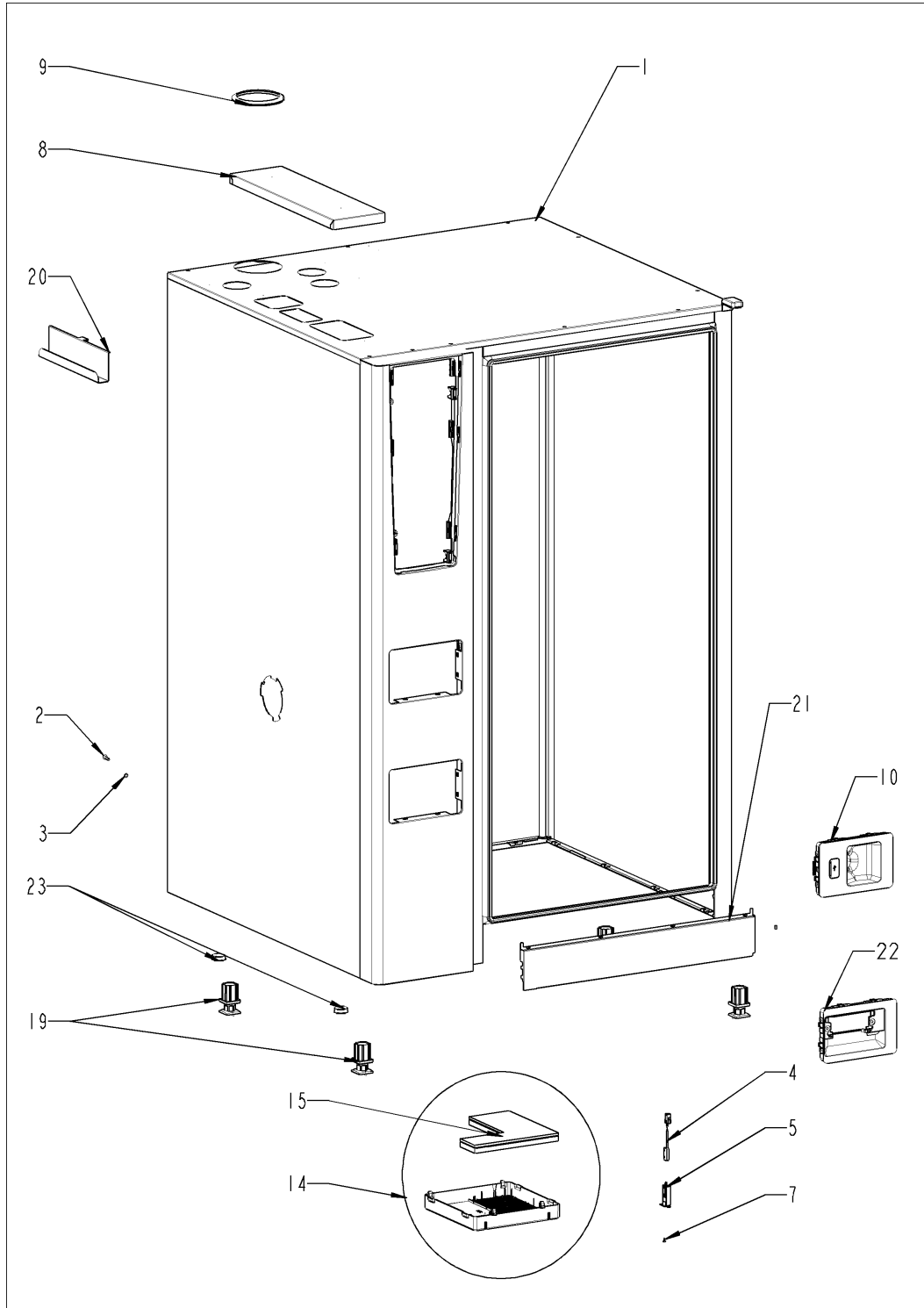
Pre heat mechanism f. door cpl.



Pre heat mechanism f. door cpl.

Pos.	Part no.	Description	Qty.
1	24.04.469S	Gasket support	1
2	24.05.092P	Gasket glass pane/trolley	1

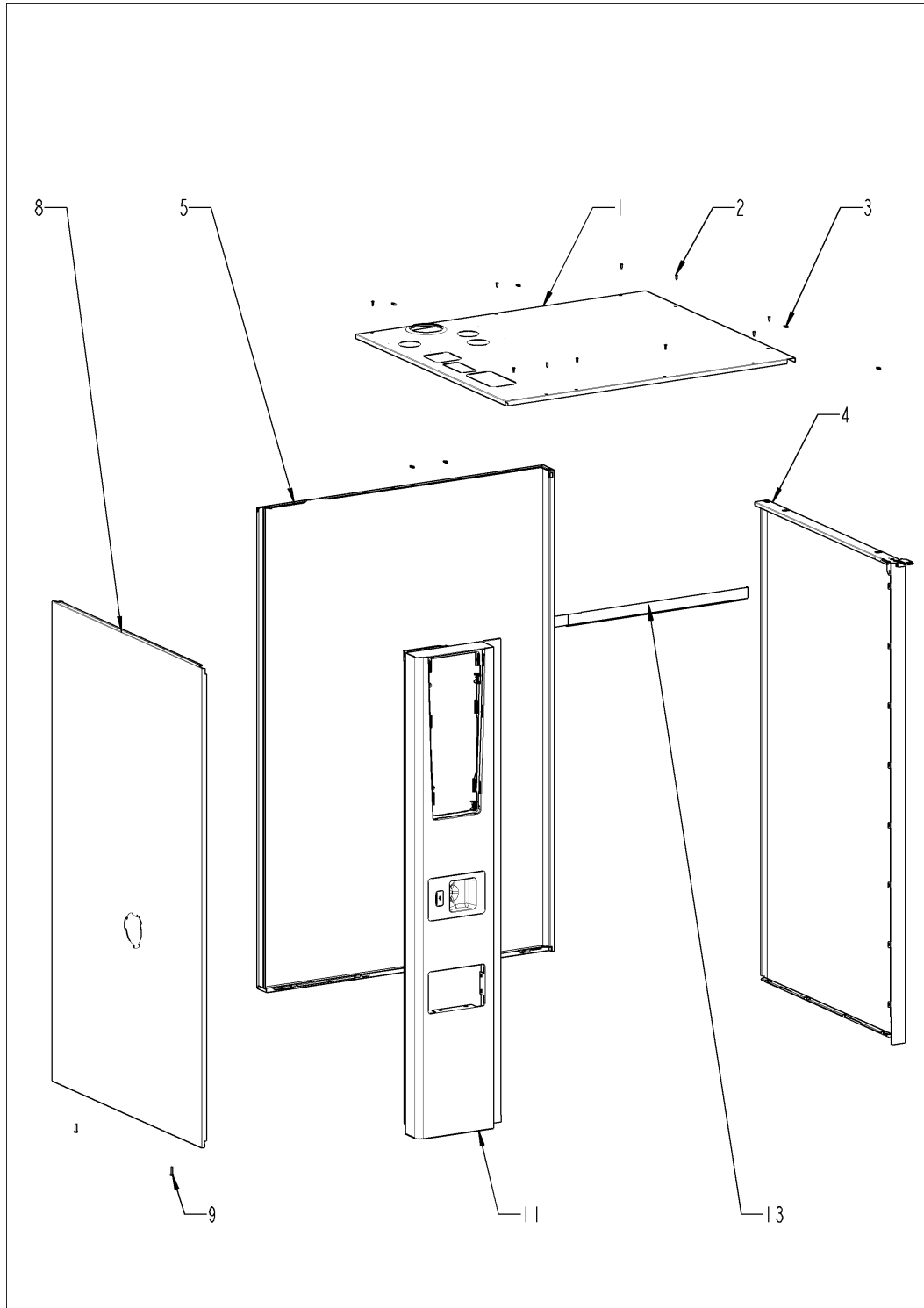
Pos. 9 Exterior cabinet



Pos. 9 Exterior cabinet

Pos.	Part no.	Description	Qty.
1		Exterior cabinet	1
2	10.01.755P	Countersunk screw M5x25 A2	1
3	1206.0120P	Tooth lock washer A6,4	1
4	40.06.380P	Door switch	1
5	16.00.384S	Bracket for door contact switch	1
7	10.00.103P	EJOT PT-screw KA 3.5x10	1
8	40.06.214P	Vent cover	1
9	16.03.729P	Gasket f. breather tube d=117.3mm	1
10	56.01.430P	Tulip for handshower	1
12	10.00.357P	Plug	2
14	40.05.657P	Air inlet filter cpl.	1
15	40.05.654P	Air inlet filter cpl.	1
19	2039.0111P	Foot adjustable, metal, 40 x 40	4
20	60.75.895	Holder for handle mobile oven rack type 20-1/1, 20-2/1	1
21	12.02.652S	Crossbar below	1
22	56.01.639P	Mounting frame for Care container	1
23	10.01.983P	Plug	2

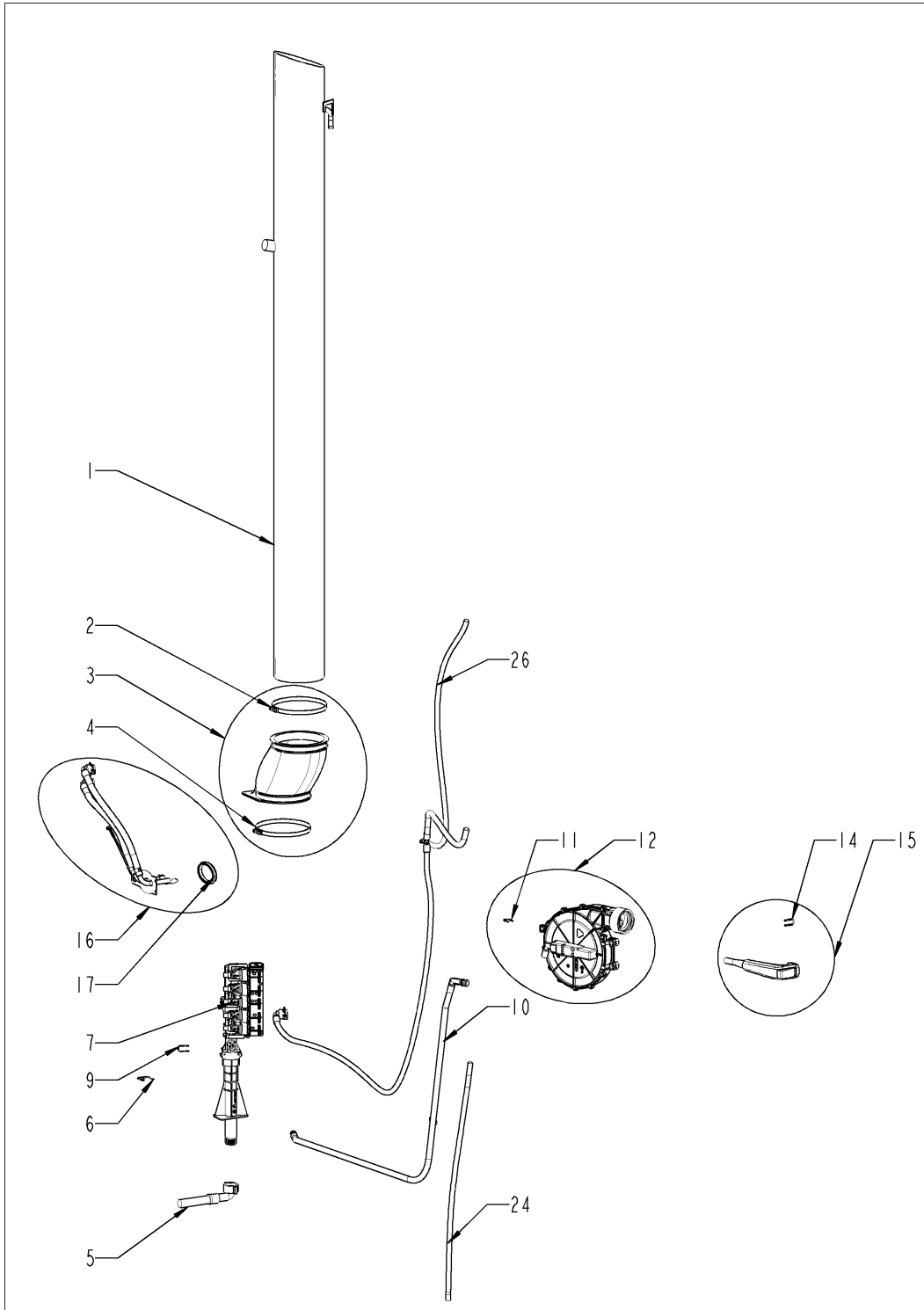
Exterior cabinet



Exterior cabinet

Pos.	Part no.	Description	Qty.
1	16.03.460P	Top cover	1
2	1003.2265P	Countersunk self tapping screw 4,2x16	10
3	1104.0820P	Snap nut 4,2mm	10
4	16.04.082P	Side panel right	1
5	16.04.089P	Back panel	1
8	16.03.458P	Side panel left	1
9	10.01.755P	Countersunk screw M5x25 A2	2
11	16.03.688P	Front panel	1
13	16.03.453P	Crossbar top	1

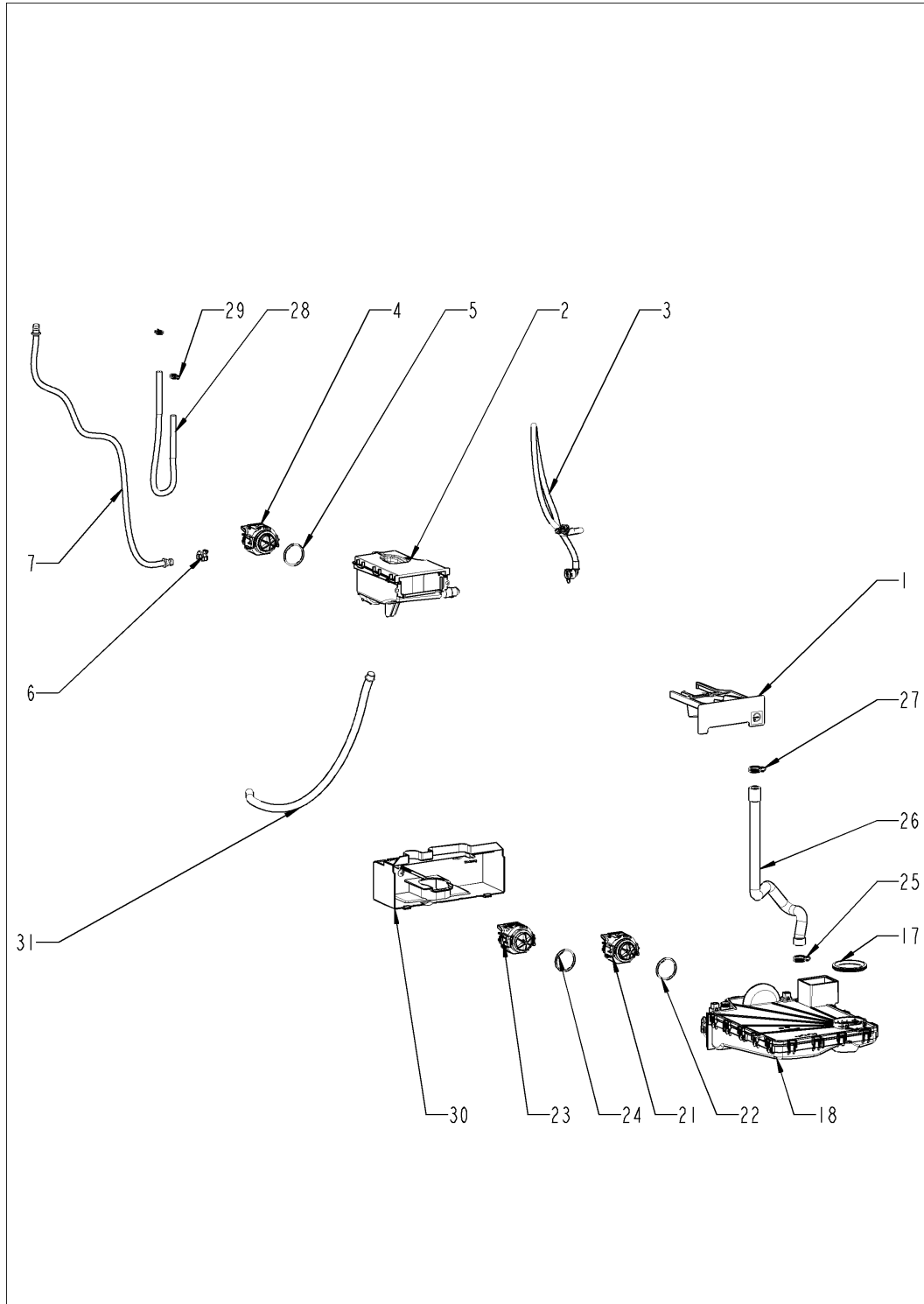
Pos. 10 Water



Pos. 10 Water

Pos.	Part no.	Description	Qty.
1	54.01.929P	Ventilation pipe	1
2	10.01.667P	Hose clamp 122mm	1
3	54.01.650S	Rubber form piece venting pipe +Hose clamp	1
4	10.01.667P	Hose clamp 122mm	1
5	2067.0709P	Hose for water supply 2500mm	1
6	50.00.086P	Locking plate f. water distribution	1
7	50.02.012P	Solenoid valve fivefold with flowmeter	1
9	50.00.085P	Retractor locking spring	1
10	52.00.137S	Connect. hose f. hand shower roll guide	1
11	50.00.085P	Retractor locking spring	1
12	52.00.099P	Hand shower roll guide	1
14	50.00.156P	Clamp f. hand shower roll guide	1
15	52.00.127S	Hand shower black	1
16	54.01.864S	Inspection lid, B2	1
17	54.01.168P	Gasket f. inspection lid	1
24	52.00.146P	Hose f. hand shower	1
26	50.02.202P	Supply hose for moistening	1
27	2066.0205P	Hose clamp 8-16x9 mm SW 7mm	4

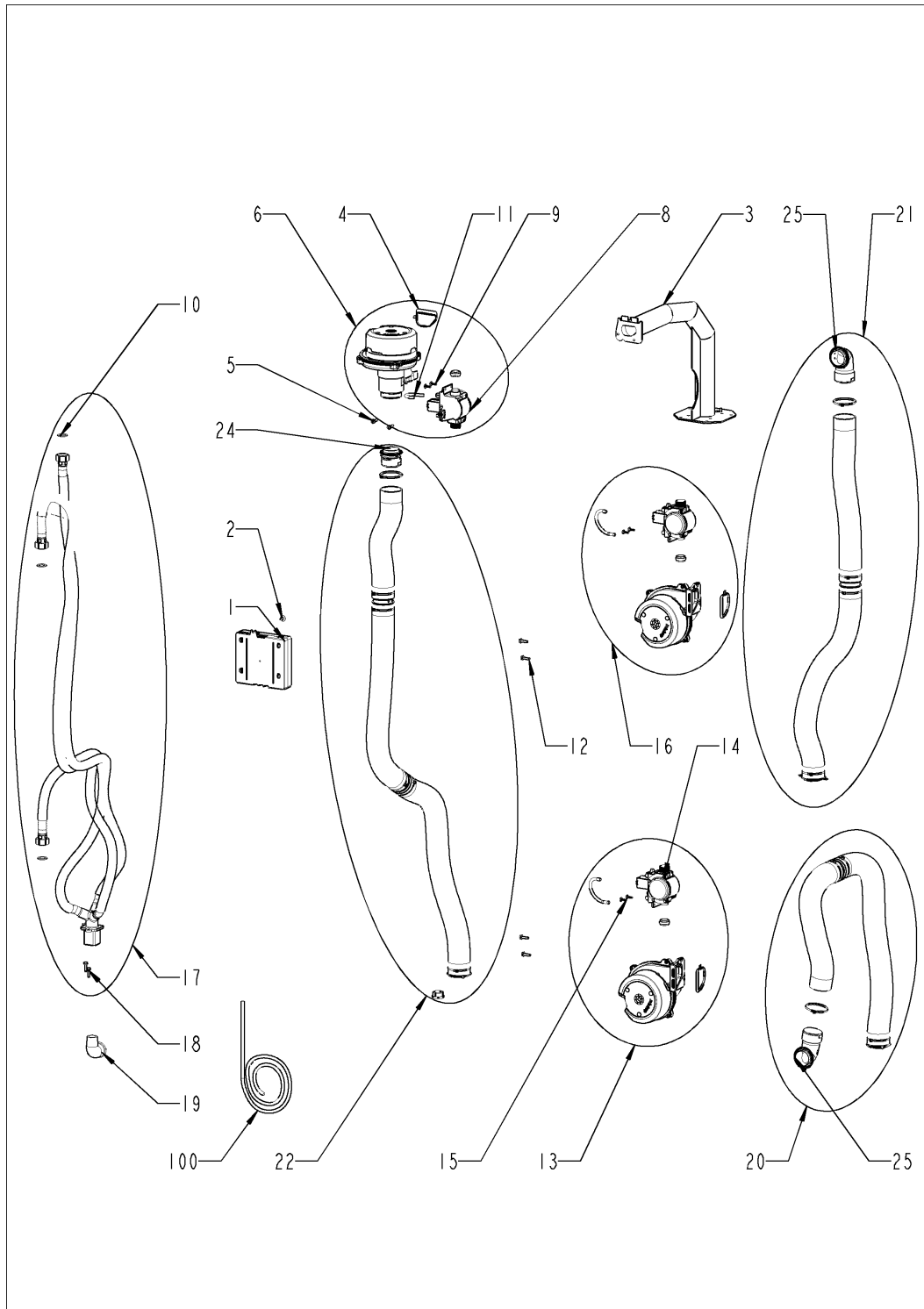
Pos. 11 Cleanjet + Care



Pos. 11 CleanJet + Care

Pos.	Part no.	Description	Qty.
1	56.00.952P	Drawer Care container	1
2	56.01.466P	Care container with pump	1
3	50.02.137P	Supply hose for "Care box"	1
4	56.01.028P	Care Pump	1
5	56.01.631P	O-ring for pump	1
6	10.01.703P	Locking ring 16 mm	1
7	56.01.508S	Care hose	1
8	10.01.703P	Locking ring 16 mm	1
17	56.01.461P	Gasket DN60	1
18	56.01.370P	Cleaning box	1
21	56.01.017P	Drain pump Cleaning box	1
22	56.01.631P	O-ring for pump	1
23	56.01.020P	Recirculation pump	1
24	56.01.631P	O-ring for pump	1
25	2066.0521P	Hose clamp 27mm	1
26	56.01.328S	CleanJet hose	1
27	2066.0521P	Hose clamp 27mm	1
28	56.01.979P	Pipe elbow with hose clamps	1
29	2066.0527P	Hose clamp ø14mm	1
30	87.01.637S	Cover for pump	1
31	56.01.501P	Emergency overflow-tube	1

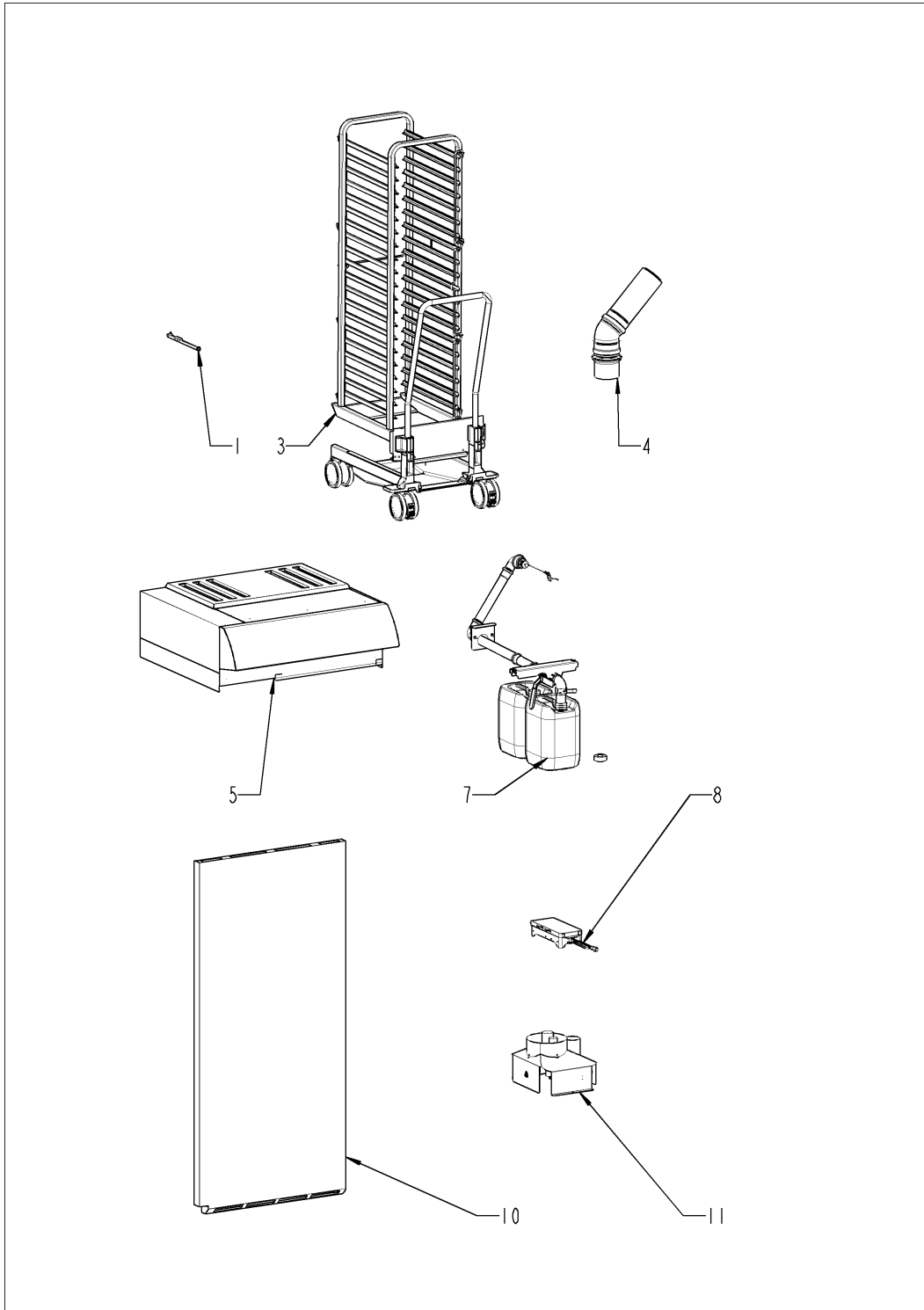
Pos. 12 Gas parts



Pos. 12 Gas parts

Pos.	Part no.	Description	Qty.
1	70.01.209S	Automatic ignition controller	1
2	10.00.989P	Rivet with screw	1
3	70.01.078P	Burner pipe	1
4	70.01.148P	Gasket f. blower burner	3
5	10.01.747P	Hex screw M5x19 Torx T20	2
6	70.01.200P	Gas blower / gas valve kit	1
8	87.01.644S	Gas valve E01	1
9	10.01.902P	Truss head screw Torx M5X12 T25	2
10	70.01.622P	Gasket corrugated hose	3
11	70.01.268P	Connection compensation tube	1
12	10.01.747P	Hex screw M5x19 Torx T20	4
13	70.01.198P	Gas blower / gas valve kit	1
14	87.01.644S	Gas valve E01	2
15	10.01.902P	Truss head screw Torx M5X12 T25	4
16	70.01.198P	Gas blower / gas valve kit	1
17	70.01.610S	Gas connection manifold	1
18	10.01.892P	Hex screw M5x20 Torx T20	2
19	70.00.188P	Hose fitting 3/4"-3/4"	1
20	70.01.335P	Air supply, hot air	1
21	70.01.334P	Air supply, hot air, top	1
22	70.01.331P	Air supply, steam	1
24	70.01.165P	Air hose adapter straight DN50	1
25	70.01.166P	Air hose adapter 90° DN50	2
100	87.01.740S	Wire set earth - ignition electrode	1

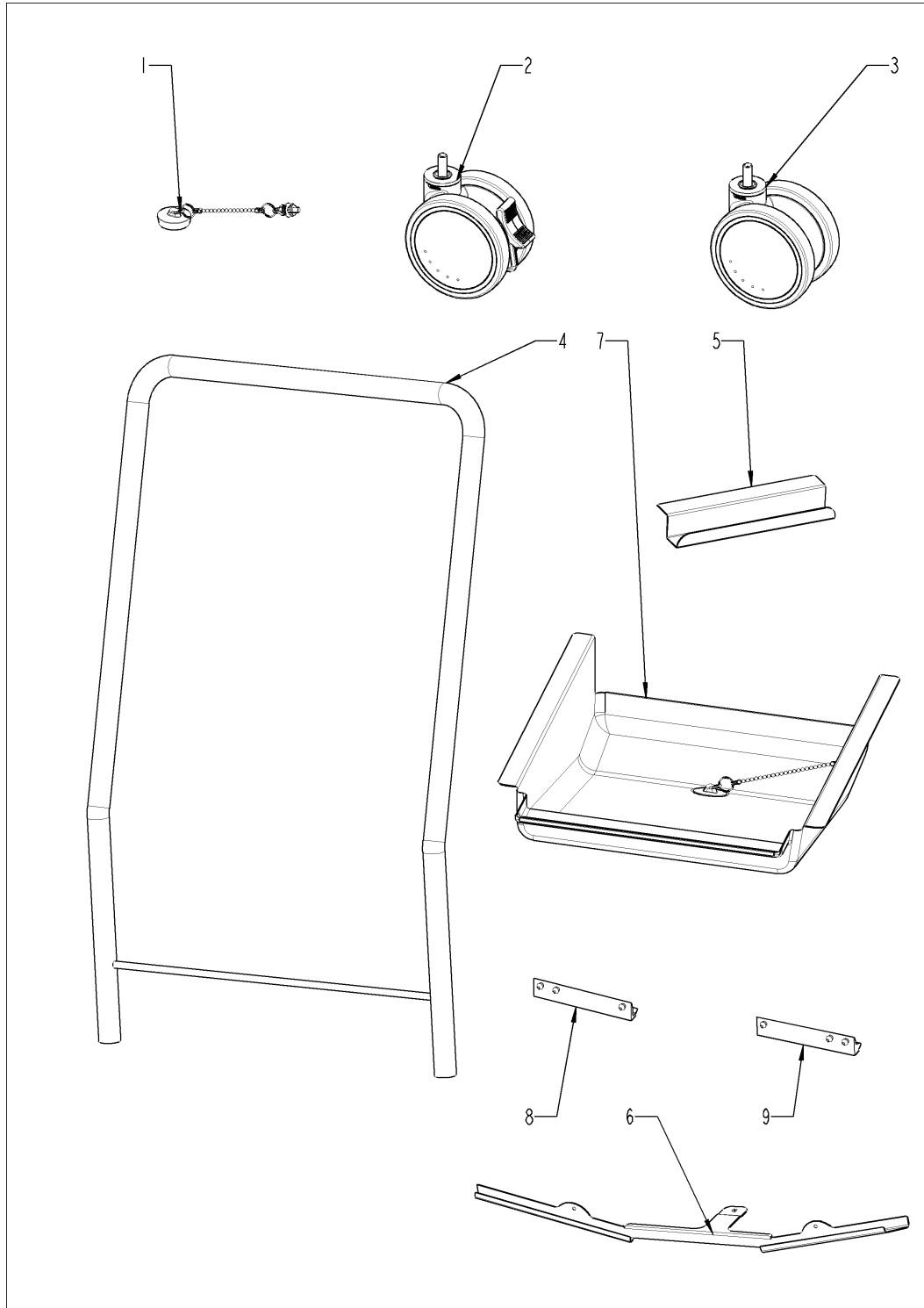
Pos. 13 Standard accessory



Pos. 13 Standard accessory

Pos.	Part no.	Description	Qty.
1	60.71.022	Positioning support for core sensor	1
3	60.22.490	Mobile oven rack type 20-2/1,	1
4	60.75.326	Condensation breaker	1
5		Exhaust hood	1
7		Internal fat drain floor unit	1
8		VarioSmoker	1
10		Heat shield	1
11		Flow guard	1

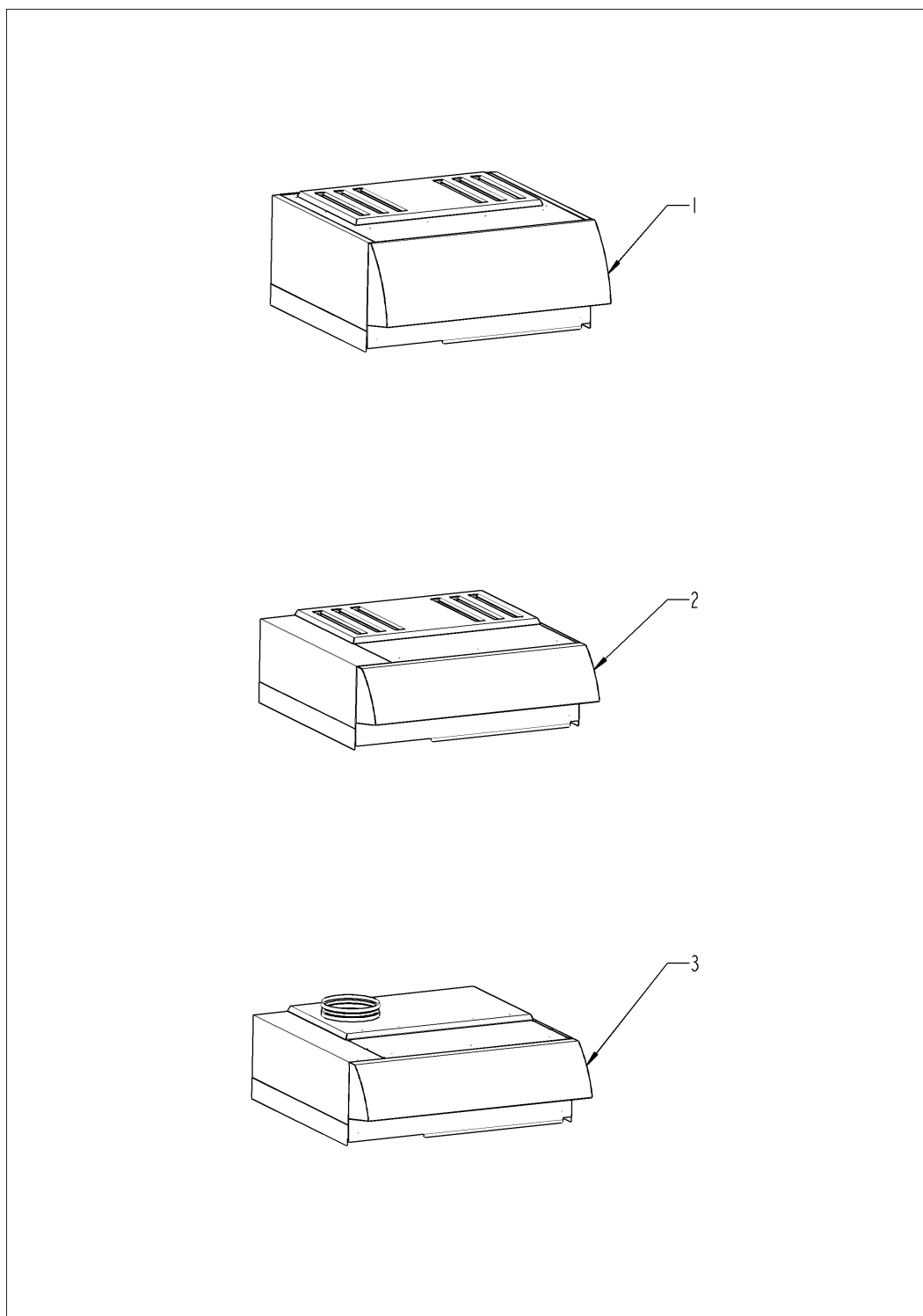
Mobile oven rack type 20-2/1,



Mobile oven rack type 20-2/1,

Pos.	Part no.	Description	Qty.
1	60.75.468P	Drain plug with chain for trolley	1
2	60.74.681P	Castor with brake ø125mm	2
3	60.74.680P	Castor without brake ø125mm	2
4	60.22.072P	Handle for mobile oven rack	1
5	60.75.895	Holder for handle mobile oven rack type 20-1/1, 20-2/1	1
7	60.22.416P	Drip collector	1
8	60.22.462P	Drain groove left for trolley	1
9	60.22.463P	Drain groove right for trolley	1

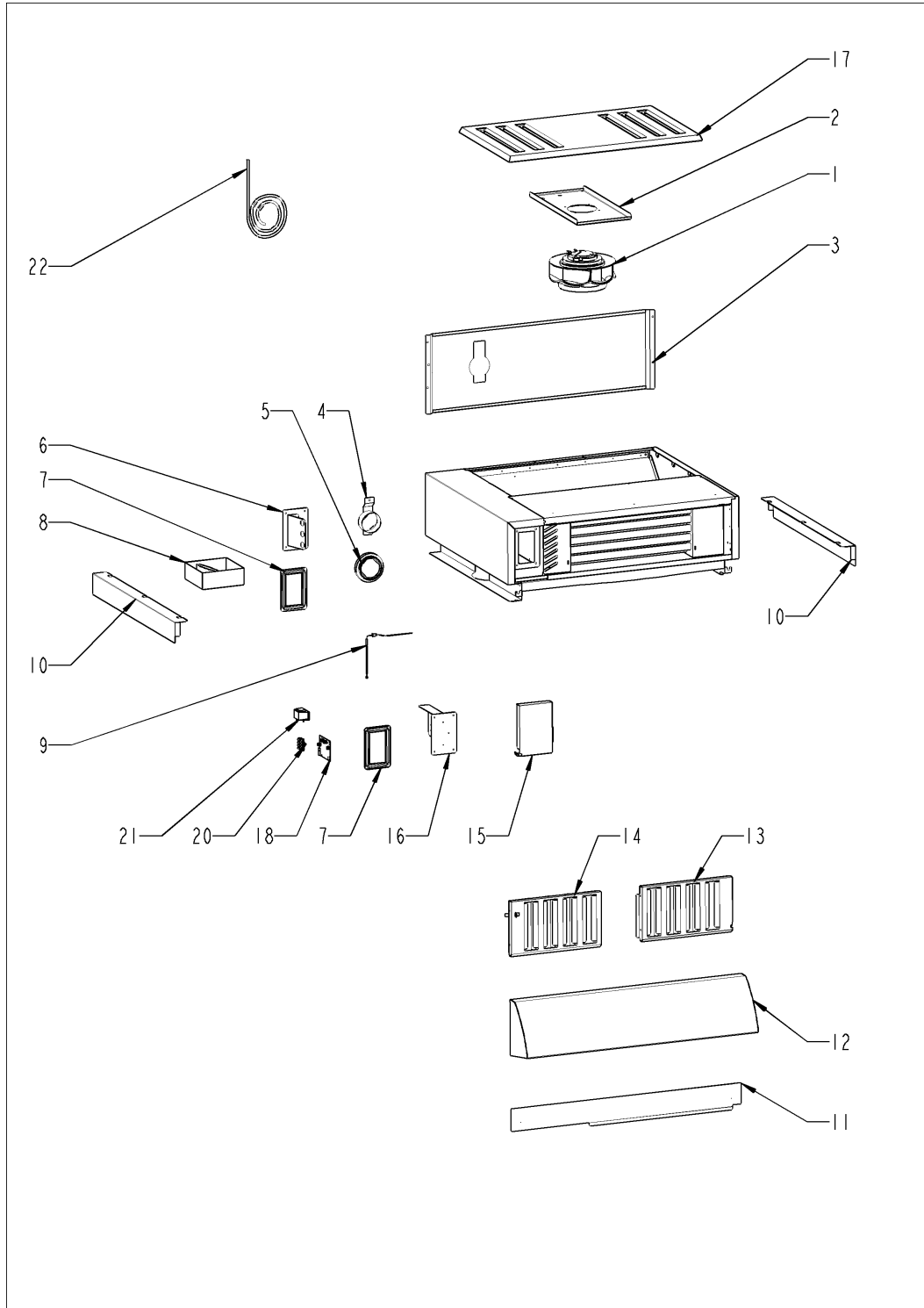
Exhaust hood



Exhaust hood

Pos.	Part no.	Description	Qty.
2		UltraVent	1
3		Extractor hood	1

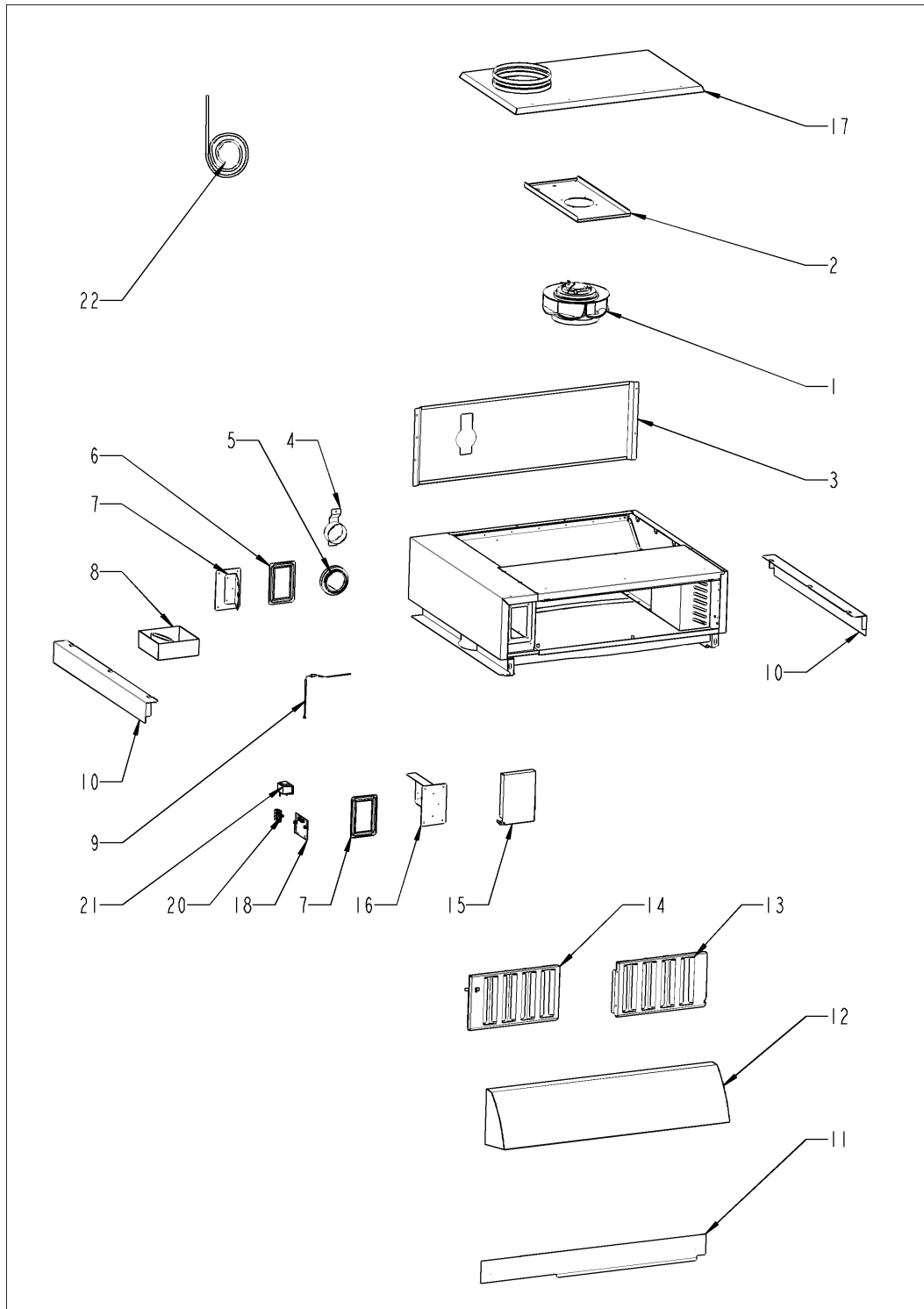
UltraVent



UltraVent

Pos.	Part no.	Description	Qty.
1	60.74.890S	Blower motor for Ultravent	1
1	60.74.889S	Blower motor for Ultravent	1
2	60.75.179S	Motor mounting plate	1
3	60.75.220S	Heat protection plate	1
4	60.75.215S	Closure Combi-Duo 70mm	1
6	60.75.171S	Electrical box cover back	1
7	60.75.212P	Electrical box seal	1
8	60.76.869P	Condensate collector 114,3mm	1
9	40.05.995P	Thermocouple	1
10	60.75.182P	side panels	1
11	60.75.185S	Front panel	1
12	60.75.197S	Front hood	1
13	60.76.456P	Baffle plate filter right	1
14	60.75.201P	Baffle plate filter left	1
15	60.75.209P	Electrical box cover	1
16	60.75.175S	Electric box cover front	1
17	60.76.534S	IPX5 Coverage	1
18	42.00.308S	Control pcb UltraVent	1
19	60.76.574P	spacer CPU	1
20	60.76.447S	Connection terminal	1
21	60.76.449P	Capacitors	1
21	60.76.448S	Power chokes	1
22	40.06.596P	Bus cable	1
24	87.01.781S	Thermocouple	1

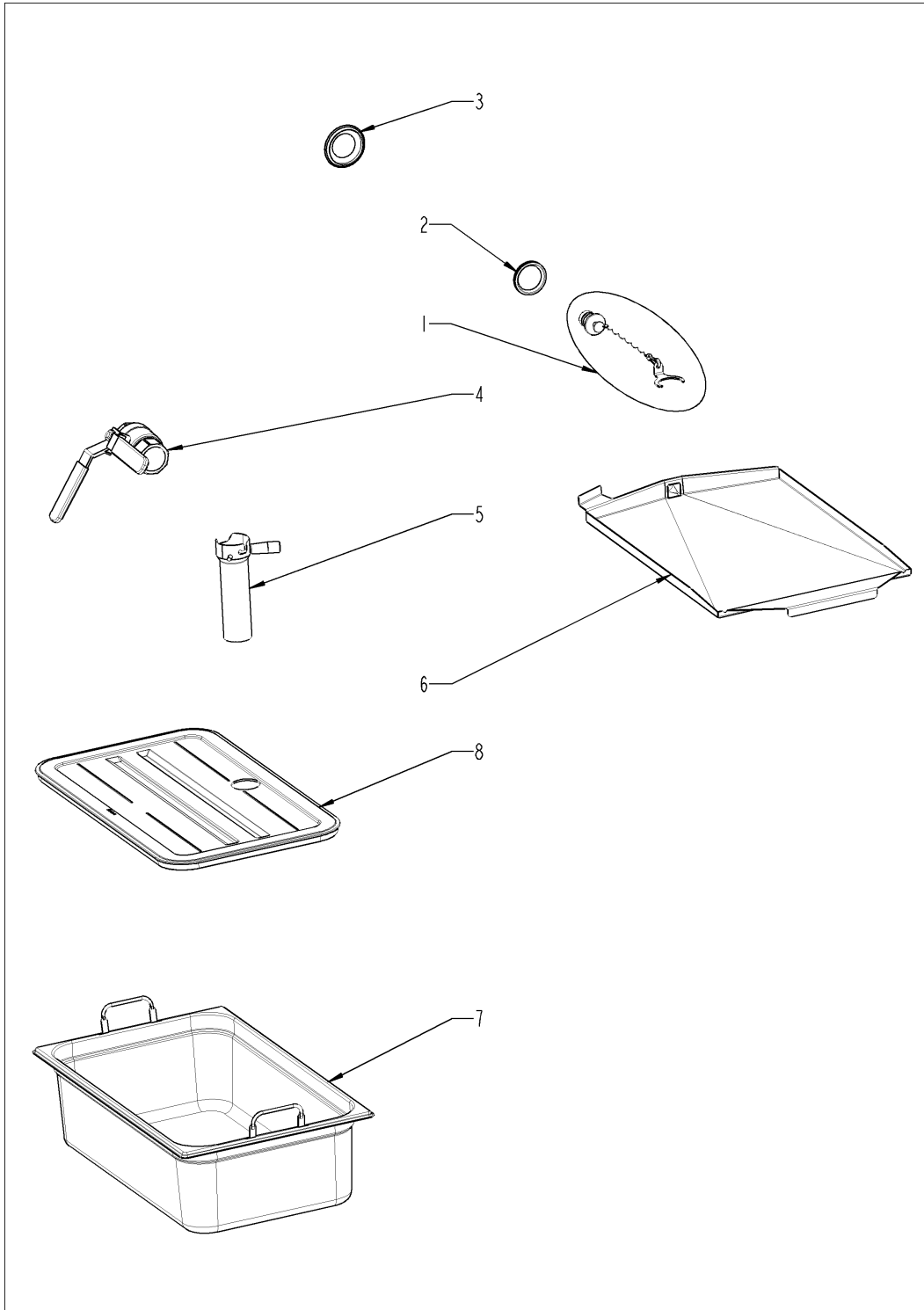
Extractor hood



Extractor hood

Pos.	Part no.	Description	Qty.
1	60.74.890S	Blower motor for UltraVent	1
1	60.74.889S	Blower motor for UltraVent	1
2	60.75.179S	Motor mounting plate	1
3	60.75.220S	Heat protection plate	1
6	60.75.171S	Electrical box cover back	1
7	60.75.212P	Electrical box seal	1
8	60.76.869P	Condensate collector 114,3mm	1
9	40.05.995P	Thermocouple	1
10	60.75.182P	side panels	1
11	60.75.185S	Front panel	1
12	60.75.197S	Front hood	1
13	60.76.456P	Baffle plate filter right	1
14	60.75.201P	Baffle plate filter left	1
15	60.75.209P	Electrical box cover	1
16	60.75.175S	Electric box cover front	1
17	60.76.546S	Exhaust air plate	1
18	42.00.308S	Control pcb UltraVent	1
19	60.76.574P	spacer CPU	1
20	60.76.447S	Connection terminal	1
21	60.76.449P	Capacitors	1
21	60.76.448S	Power chokes	1
22	40.06.596P	Bus cable	1
24	87.01.781S	Thermocouple	1

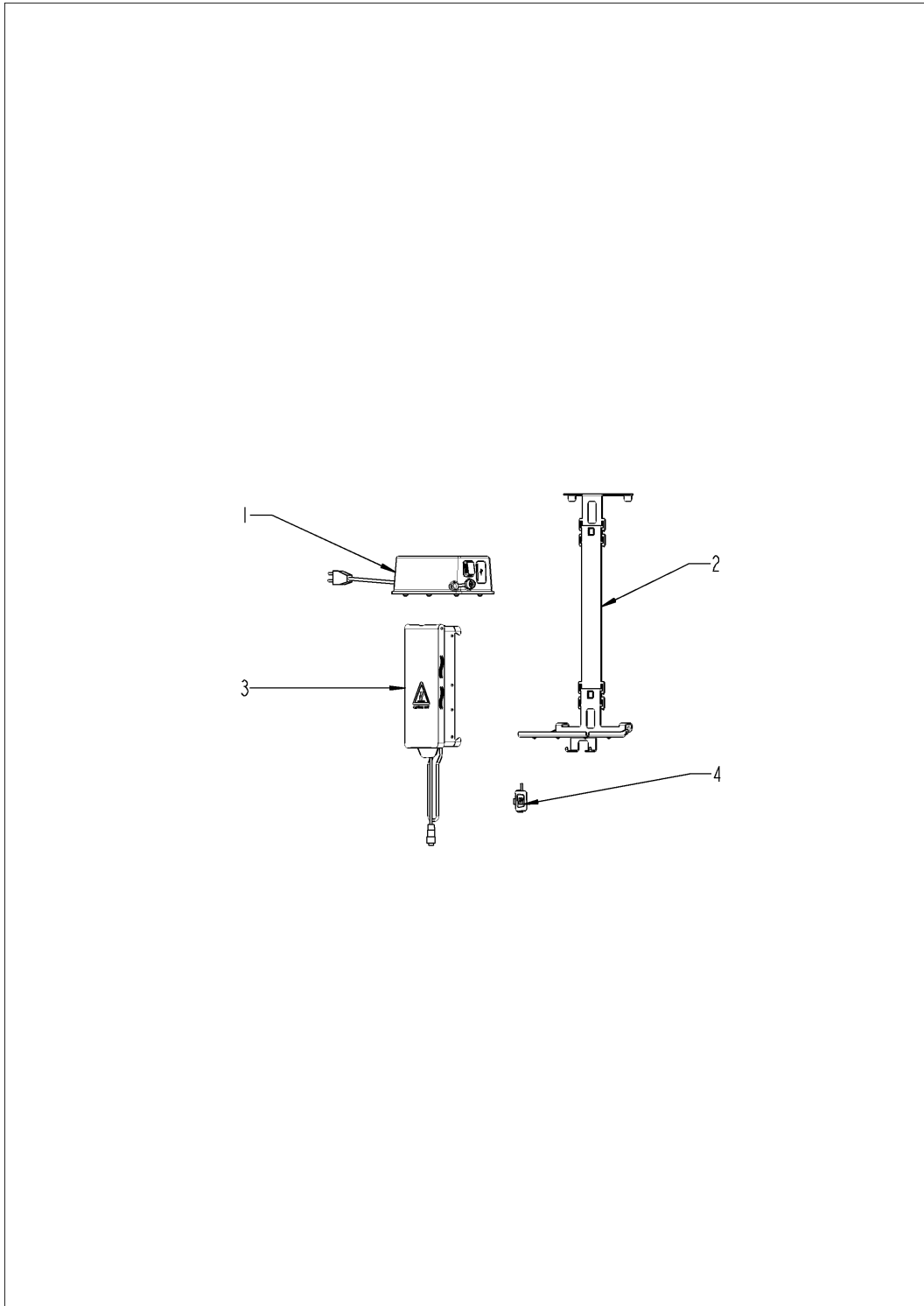
Internal fat drain floor unit



Internal fat drain floor unit

Pos.	Part no.	Description	Qty.
1	60.76.409P	End cap for Internal fat drain	1
2	60.74.564P	Gasket for int. fat drain	1
3	56.00.874P	Gasket wastewater	1
4	60.72.729P	Ball valve DN32 (1 1/4")	1
5	60.72.609P	Drain pipe, bayonet with handle	1
6	60.75.423P	Grease collector trolley 202	1
7	6013.1146P	Tray, 1/1 GN, 150 mm deep, high grade steel rustproof	1
8	60.73.061P	Lid for tray, GN1/1	1

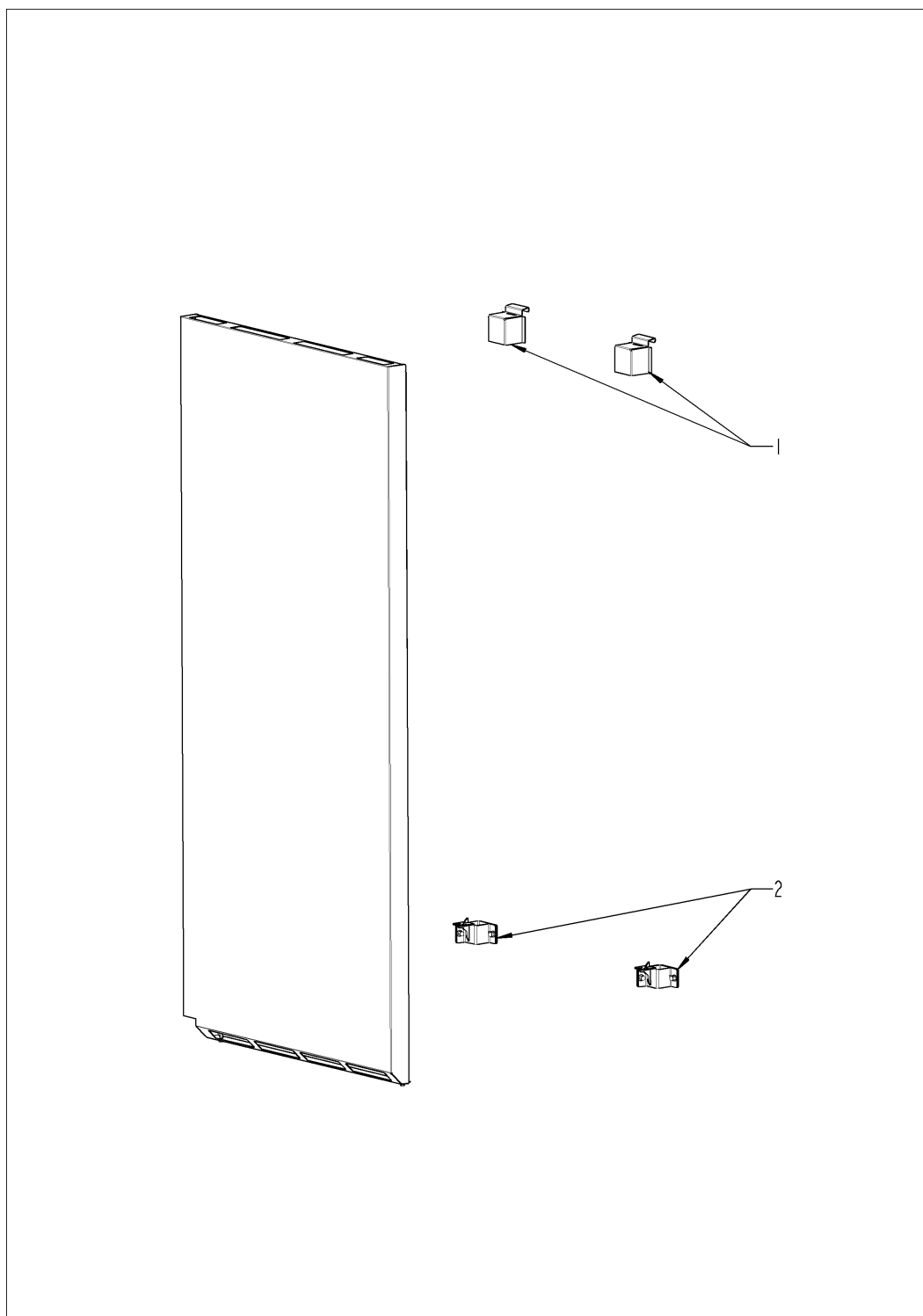
VarioSmoker



VarioSmoker

Pos.	Part no.	Description	Qty.
1	60.77.643P	Power supply for VarioSmoker *ARG*	1
1	60.75.378P	Power supply for VarioSmoker *CH*	1
1	60.75.386P	Power supply for VarioSmoker *BRA*	1
1	60.75.374P	Power supply for VarioSmoker *UK*	1
1	60.75.376P	Power supply for VarioSmoker *AU, NZ*	1
1	60.75.368P	Power supply for VarioSmoker *US*	1
1	60.75.372P	Power supply for VarioSmoker *EU*	1
2	60.76.115S	Mounting device kit for VarioSmoker	1
3	60.76.691P	Smoking box for VarioSmoker	1
4	40.06.837P	Interface cable USB VarioSmoker	1

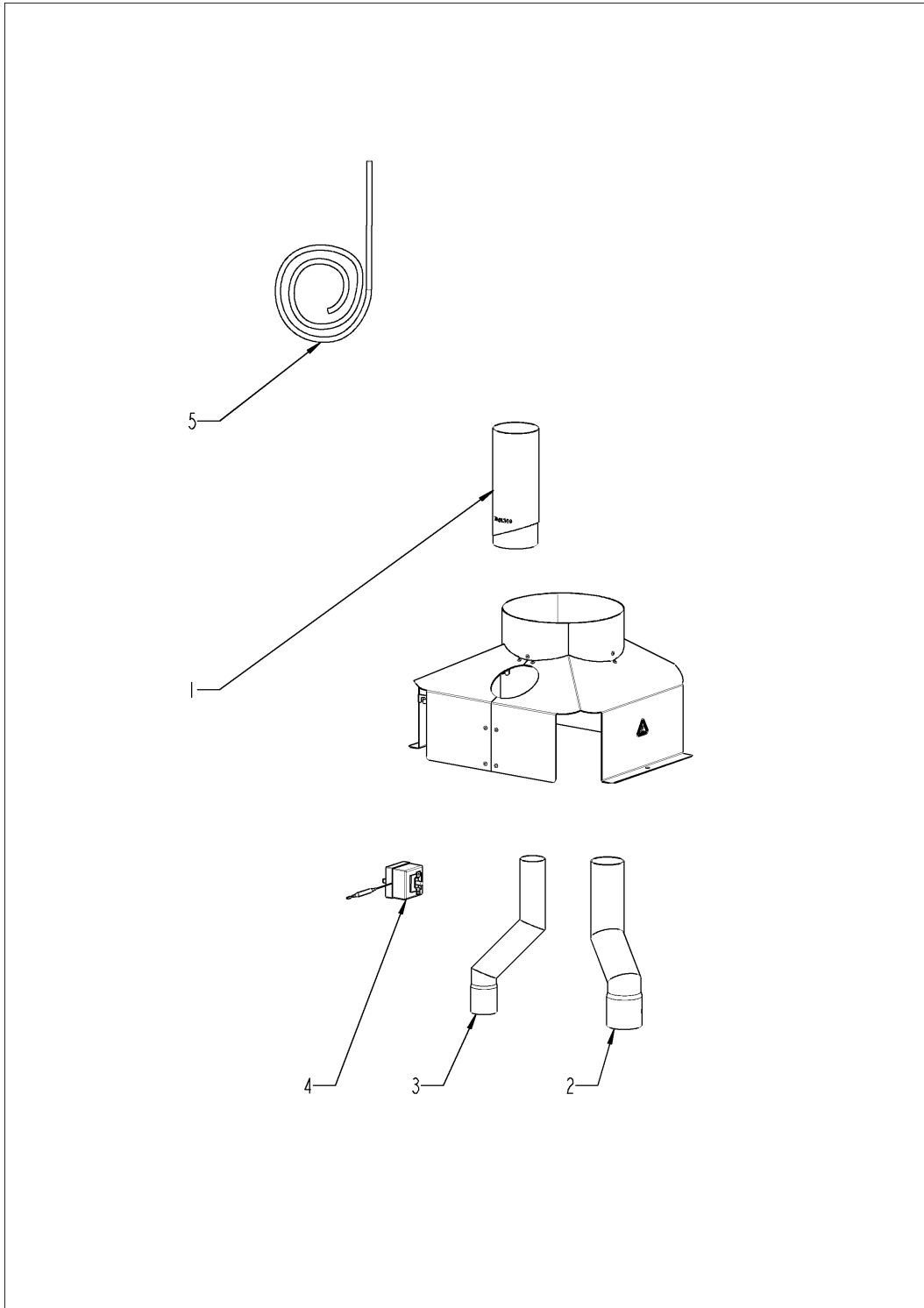
Heat shield



Heat shield

Pos.	Part no.	Description	Qty.
1	60.75.825P	heat shield holder top	1
2	60.75.833P	holder heat shield bottom	1

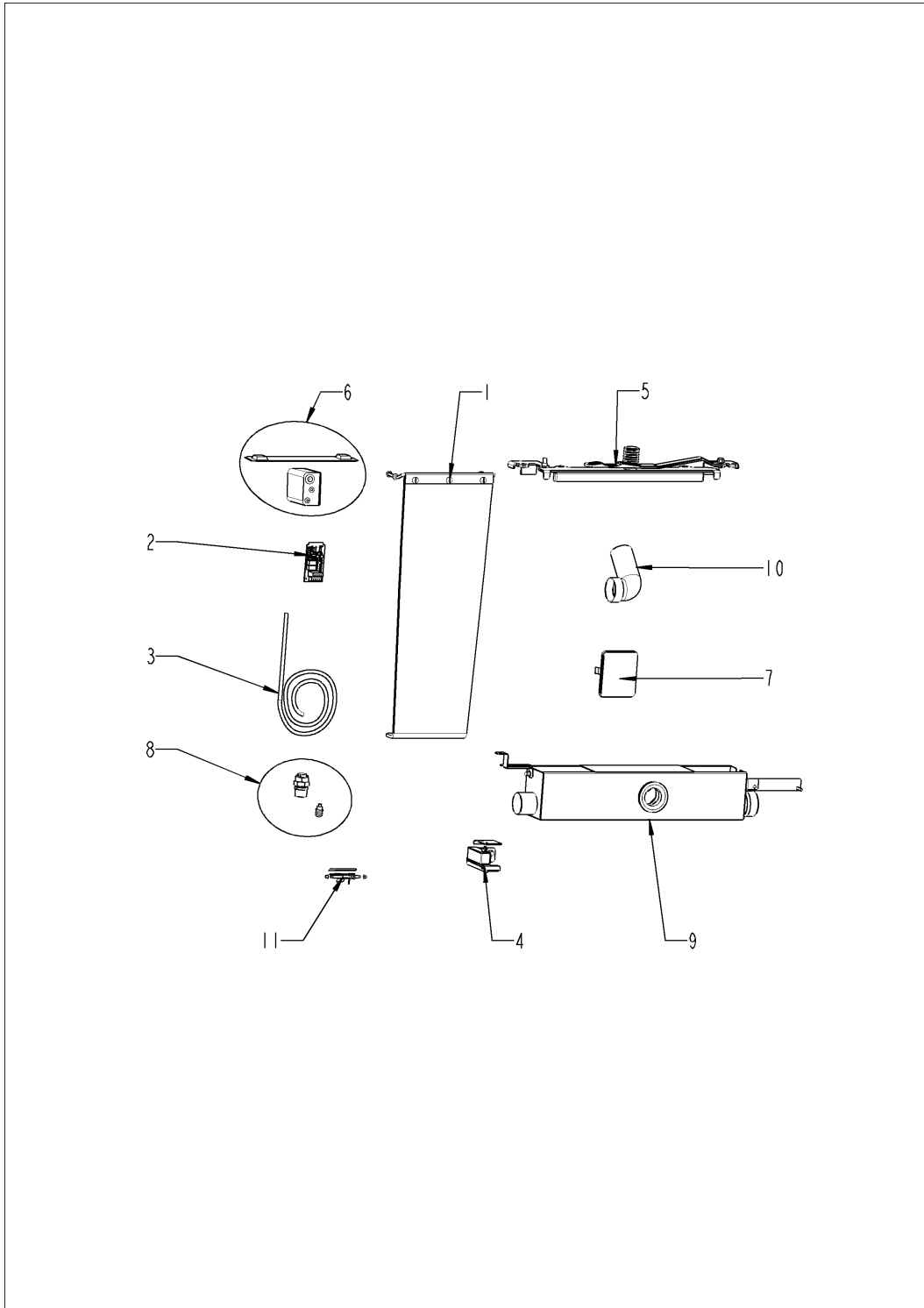
Flow guard



Flow guard

Pos.	Part no.	Description	Qty.
1	70.01.500P	Ventilation pipe extension	1
2	70.01.593P	Exhaust pipe (Draft diverter)	1
3	70.01.504P	Exhaust pipe (Draft diverter)	1
4	40.04.158P	Safety temperature limiter 103°C	1
5	40.07.250S	Cable draft diverter B13	1

Pos. 20 Repair and retrofit kit



Pos. 20 Repair and retrofit kit

Pos.	Part no.	Description	Qty.
1	87.01.866S	Retrofit kit *Collision protection*	1
4	87.01.815S	Retrofit kit safety door latch	1
5	87.01.896S	Door fixing mechanism marine version	1
6	60.76.876	Extension set for USB core temperature probe	1
7	87.01.916S	Conversion kit iCombi w/o hand shower	1
8	60.77.082	Second water connection for filling the hand shower.	1
10	87.01.897	Retrofit kit waste water piping DN90	1