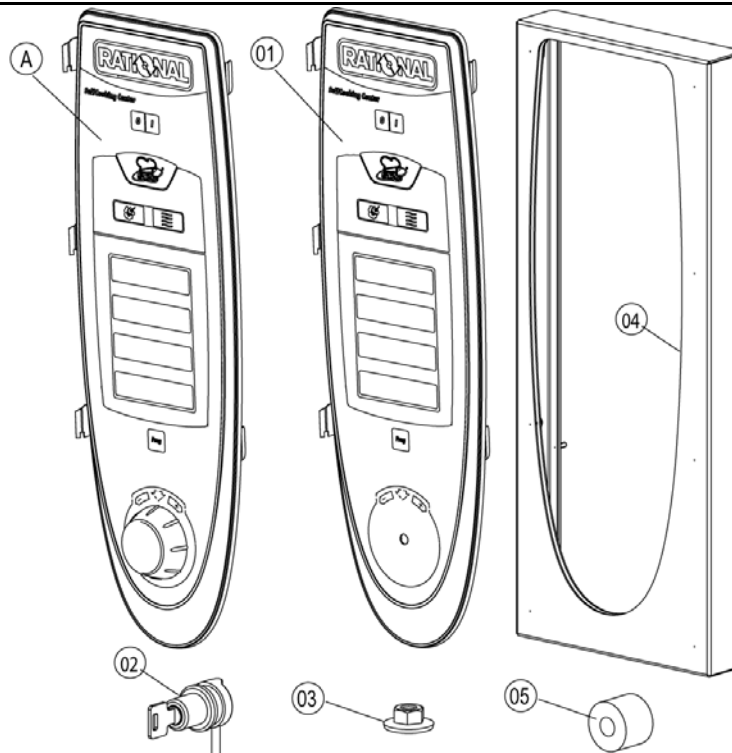


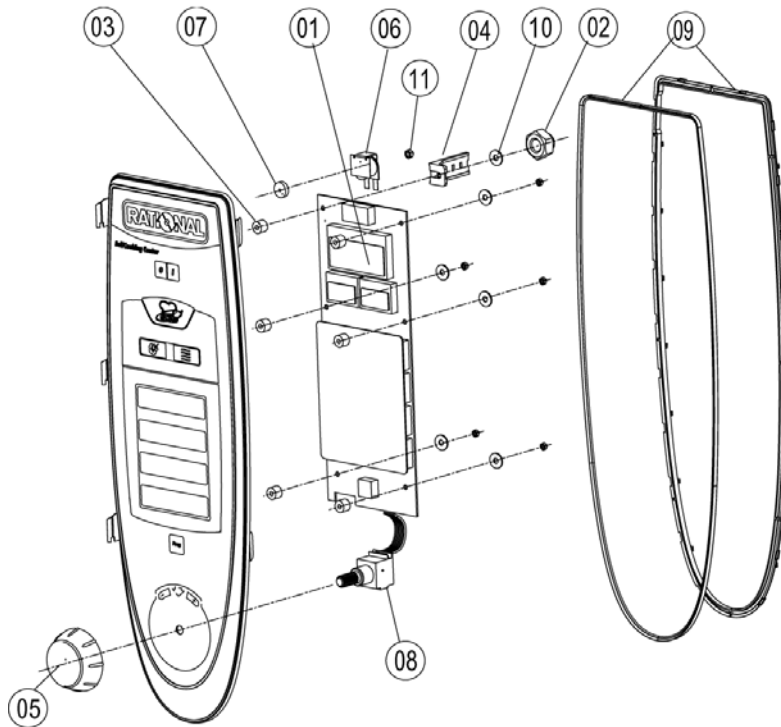
Item no.	Part no	Reference	Description
1		<a href="#">►1</a>	Control panel
2		<a href="#">►2</a>	Electrical installation
3		<a href="#">►3</a>	Clima Plus
4		<a href="#">►4</a>	Steam generator, Bypass
5		<a href="#">►5</a>	Hot air heating
6		<a href="#">►6</a>	Motor and fan wheel
7		<a href="#">►7</a>	Interior cabinet
8		<a href="#">►8</a>	Door
9		<a href="#">►9</a>	Water supply, quenching box
10		<a href="#">►10</a>	Hand shower
11		<a href="#">►11</a>	CleanJet
13		<a href="#">►13</a>	Exterior cabinet
14		<a href="#">►14</a>	Miscellaneous

---

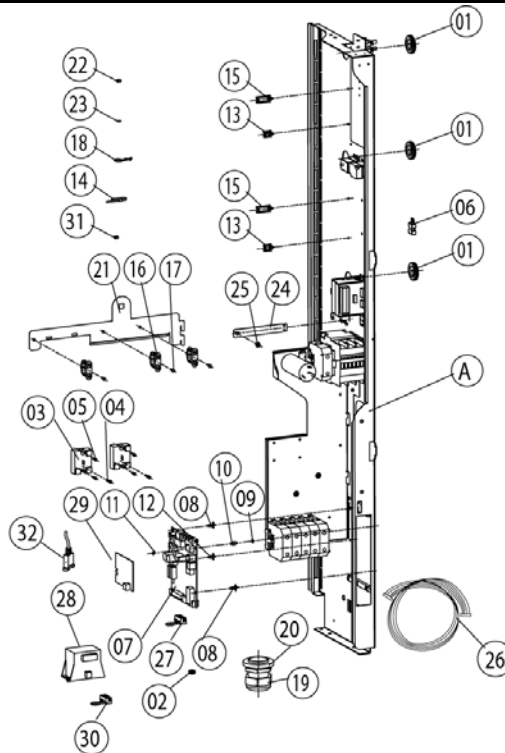
1	Control panel .....	3
1.A	Control panel.....	4
2	Electrical installation .....	5
2.A	Contactor assembly .....	7
3	Clima Plus.....	9
3.A	Hose set f. humidity control .....	10
4	Steam generator, Bypass .....	11
4.A	Pump connection spout cpl. ....	12
4.B	Venting valve for steam generator .....	13
5	Hot air heating .....	14
6	Motor and fan wheel .....	15
7	Interior cabinet .....	16
7.A	Interior cabinet .....	17
7.B	Gasket frame w. glass a. gaskets .....	18
7.C	Air baffle.....	19
7.C	Air baffle.....	20
8	Door .....	21
8.A	Door .....	23
8.C	Door catch.....	24
9	Water supply, quenching box.....	25
10	Hand shower.....	26
11	CleanJet.....	27
13	Exterior cabinet.....	28
13.A	Exterior cabinet .....	29
14	Miscellaneous .....	30



Item no.	Part no	Reference	Description
A		<a href="#">►1.A</a>	Control panel
1	<a href="#">87.00.000</a>		Control panel insert with overlay
5	<a href="#">2039.0326</a>		Spacer for pcb



Item no.	Part no	Reference	Description
1	42.00.002		Control pcb
2	1104.0121		Hex nut M4 self locking
3	10.00.355		Spacer black
4	2020.0400		Fixing device for cable harness
5	16.00.232		Dial f. pulse generator
6	40.02.087		Buzzer
6	3006.0107		Buzzer
7	5110.1029		Gasket mode switch
7	5110.1028		Gasket poti hot air, core temperature
8	40.00.404		Pulse generator
9	16.00.387		Mounting device f.sealing + sealing lip
10	1306.0218		Washer A4,3
11	1103.0122		Hex nut M3 self-locking



Item no.	Part no	Reference	Description
A		<a href="#">►2.A</a>	Contacteur assembly
1	4007.0620		Membrane DGC 29
2	10.00.510		Grommet 10/12/16-2
3	40.00.453		Solid state relais
4	10.00.507		Pan head screw Torx 5/16" T20
5	10.00.444		Raised countersunk head screw Torx M4x8
6	42.00.007		External memory
7	40.00.049		Relay-I/O pcb
7	42.00.045		Relay-I/O pcb w/o Sicotronic
8	40.00.417		Fixing clip f. pcb
9	1104.0801		Cage nut M4
10	10.00.243		Spacer M4x8
11	1104.0120		Hex nut M4
12	40.01.579		Fixing clip f. pcb
13	10.00.112		Cable clip short
14	4005.0101		Tie rap 145 mm
15	10.00.111		Cable clip long
16	10.00.417		Fixing device for cable harness
17	10.00.065		Countersunk screw Torx T20 M4x12
18	10.00.471		Cable clip d10-12mm
19	4007.0632		Screwed cable gland M63x1.5(34-45mm)si.gr
20	4007.0635		Fixing nut for cable gland M63
21	40.01.355		Fixing device f. cable guide
22	1106.0160		Hex nut M6
23	1206.0120		Tooth lock washer A6,4
24	40.01.132		Center fixation f. contactor assembly
25	1106.0224		Hex nut M6 self locking
26	40.00.471		Bus cable 0.8m
26	40.00.472		Bus cable 1.3m
27	40.00.338		Sicotronic-terminal *screw typ*



# SCC 201E

Valid as of E21SE0404 up to E21SE....

Electrical unit

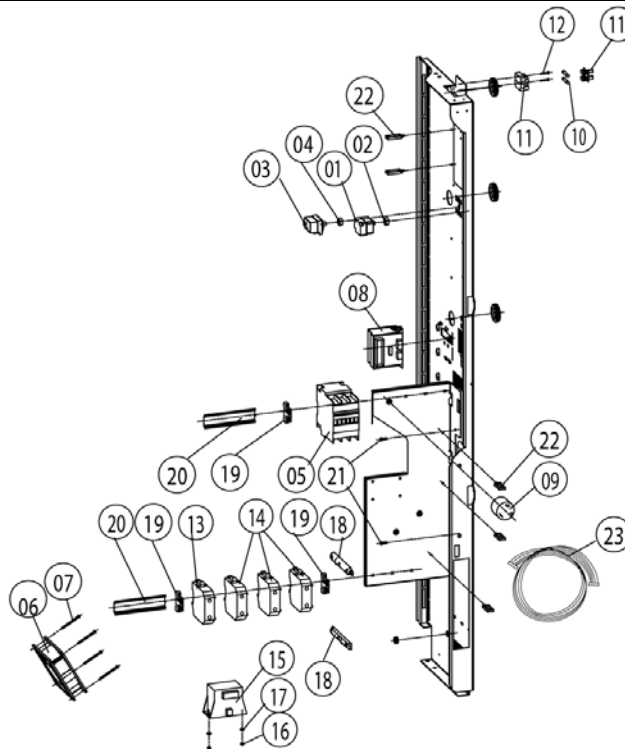
## ▶ 2 Electrical installation

2

2 Electrical installation

Voltage 3 AC 200V 50-60Hz

Item no.	Part no	Reference	Description
30	<a href="#">40.01.776</a>		Sicotronic-terminal *crimp type*
31	<a href="#">1104.0400</a>		Rivet nut M4



Item no.	Part no	Reference	Description
1	40.01.329		Dry up protector 160°
2	3014.0302		Hex nut M10 for dry-up protector
3	40.01.482		Safety temperature limiter 365°C
4	3014.0327		Hex nut M10x1,0
5	40.01.558		Contactor CL07A300M6-M
6	40.00.474		Cooling fan D.C.
7	10.00.238		Screw Torx 4x50
8	40.00.277		Control transformer
9	40.01.613		Varistor
10	4001.0224		Fuse 6.35x32mm
11	4001.1295		Fuse holder e 1003Si/1DS
12	10.00.365		Pan head screw Torx M3x20
13	4001.1233		Terminal block yellow/green 35mm <sup>2</sup>
14	4001.1206		Terminal block 35mm <sup>2</sup> grey
15	40.00.592		Transformer f. cooling fan
16	1105.0120		Hex nut M5
17	1305.0160		Washer A5,3x10mm
18	40.01.272		Plug positioning bar I/O pcb
19	4001.1203		End plate for mounting rail
20	2620.370233		Installation rail for Contactor 100mm
20	2620.380129		Installation rail for Contactor 130mm
20	2816.1307		Installation rail for Contactor 140mm
21	10.00.061		Pan head screw Torx T20 M4x12
22	10.00.111		Cable clip long
23	40.00.209		Cable buzzer
23	40.00.202		Cable CDS sensor
23	40.00.239		Cable contactor-SSR
23	40.01.304		Cable control harness
23	40.00.235		Cable control SSR
23	40.00.225		Cable control transformer sec.



## SCC 201E

Valid as of E21SE0404 up to E21SE....

Electrical unit

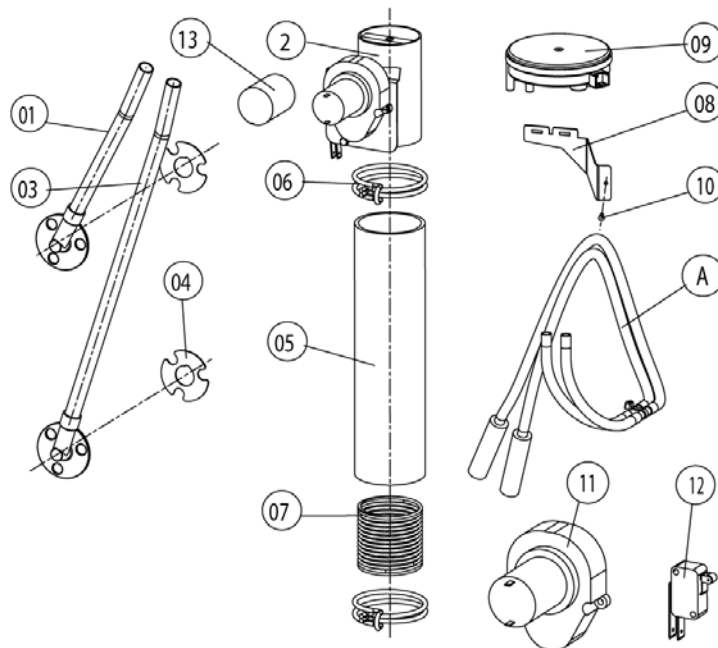
### ▶ 2.A Contactor assembly

2

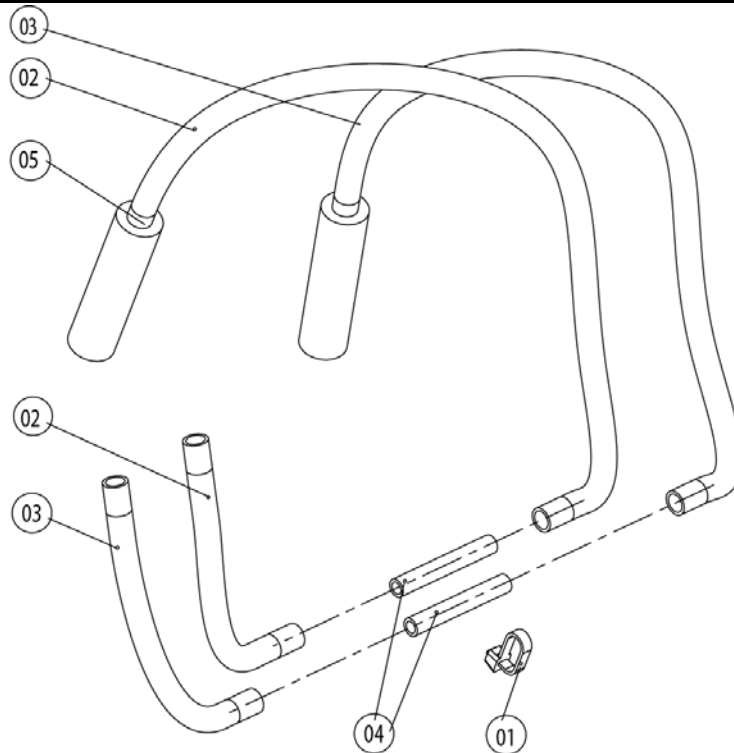
2 Electrical installation

Voltage 3 AC 200V 50-60Hz

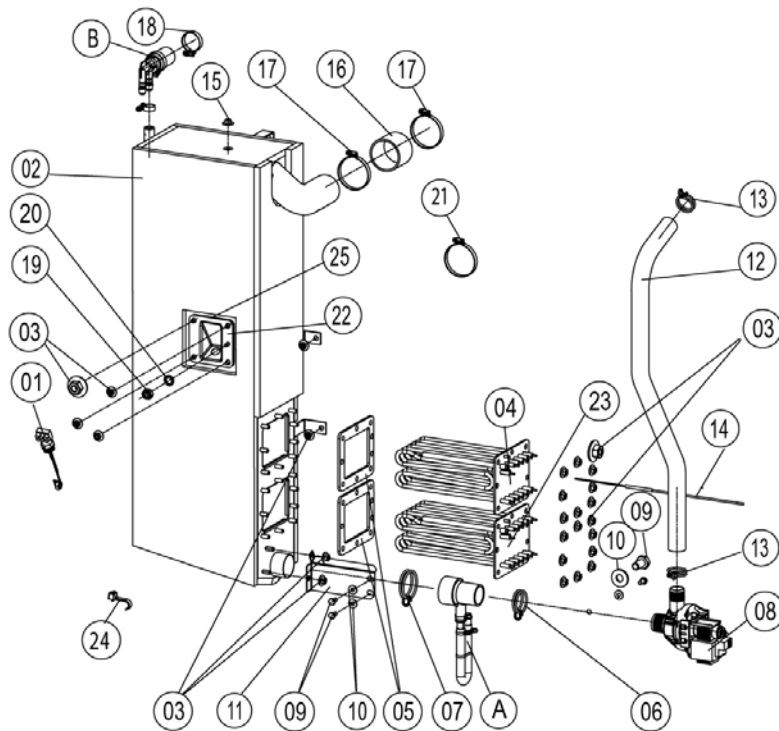
Item no.	Part no	Reference	Description
23	<a href="#">40.00.238</a>		Cable differential pressure switch
23	<a href="#">40.00.208</a>		Cable humidity control
23	<a href="#">40.00.205</a>		Cable level electrode
23	<a href="#">40.00.226</a>		Cable SC pump
23	<a href="#">40.00.203</a>		Cable solenoid valve
23	<a href="#">40.00.231</a>		Cable transformer for cooling fan sec.



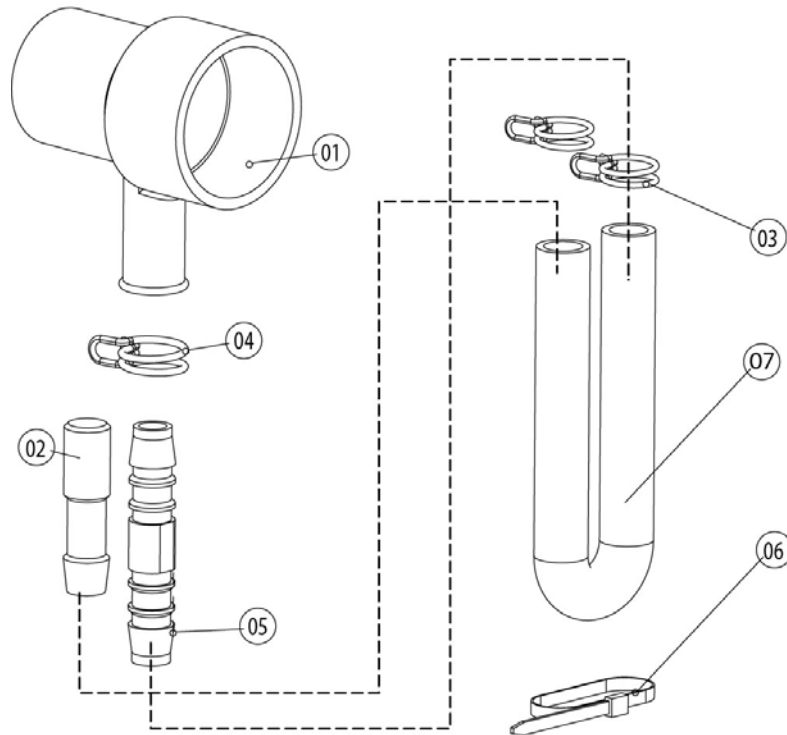
Item no.	Part no	Reference	Description
A	<a href="#">22.00.256</a>	<a href="#">▶3.A</a>	Hose set f. humidity control
1	<a href="#">22.00.199</a>		Inner humidity meas. Piece
2	<a href="#">22.00.318</a>		Humidity control cpl. with motor
3	<a href="#">22.00.200</a>		Outer humidity meas. Piece
4	<a href="#">22.00.198</a>		Gasket f. hum. meas. Pipe
5	<a href="#">22.00.214</a>		Hose d50x202
6	<a href="#">2066.0531</a>		Hose clamp ø56
7	<a href="#">2001.0124</a>		Compression spring
9	<a href="#">3017.1011</a>		Pressure sensor for humidity control Huba 401
11	<a href="#">3101.1010</a>		Humidity control motor
12	<a href="#">3016.0102</a>		Micro switch
13	<a href="#">3101.1021</a>		Protecting cap f. 12VDC humidity motor



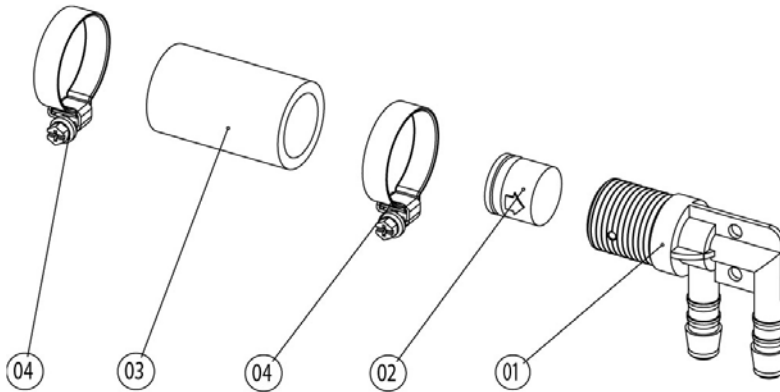
Item no.	Part no	Reference	Description
1	<a href="#">4005.0101</a>		Tie rap 145 mm
2	<a href="#">2110.1020</a>		Silicon hose $\varnothing 5 \times 1.5$ blue
3	<a href="#">2110.1019</a>		Silicone hose $\varnothing 5 \times 1,5$ "red"
4	<a href="#">1900.0203</a>		Ceramic tube 8x5x60mm for
5	<a href="#">2112.1338</a>		Silicone hose $\varnothing 8 \times 2 \times 20$



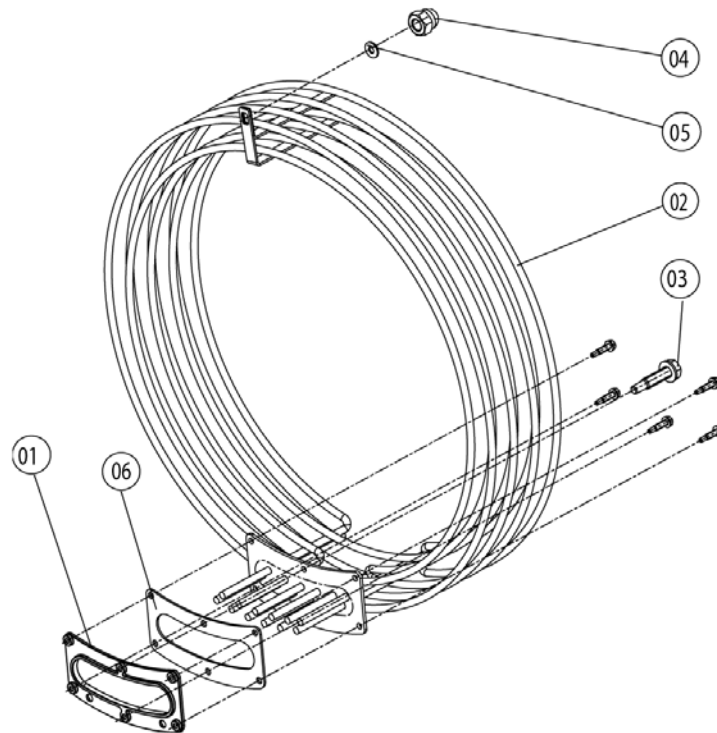
Item no.	Part no	Reference	Description
A	8354.1320	<a href="#">►4.A</a>	Pump connection spout cpl.
B	8354.1304	<a href="#">►4.B</a>	Venting valve for steam generator
1	3002.0402		Filling level electrode 90 mm
2	44.00.174		Steam generator insolated
3	1106.0803		Hex combination nut M6 galv
4	44.00.295		Heating element
5	44.00.279		Gasket f. heating element
6	2066.0519		Hose clamp 35,6mm
7	2066.0526		Hose clamp $\varnothing$ 46mm
8	44.00.207		Emptying pump
9	1006.0762		Hex screw M6x10
10	1306.0222		Washer A6,4x15x1,5
11	44.00.232		Fixing device f. pump steam generator
12	44.00.233		Drain hose steam generator
13	2066.0518		Hose clamp 30mm
14	40.00.291		Thermocouple steam generator
15	1104.0122		Hex combination nut M4 galv
16	2112.1006		Steam hose 50x7mm
17	2066.0504		Hose clamp 40-60mm
18	2066.0506		Hose clamp 20-32mm
19	1105.0120		Hex nut M5
20	1205.0120		Tooth lock washer A5,3
21	2066.0300		Hose clamp 50-70 mm
22	2920.1300		Level elektrode insert
24	10.00.414		Cable strap black 120°
25	44.00.280		Gasket f. heating element+Level elektrode insert



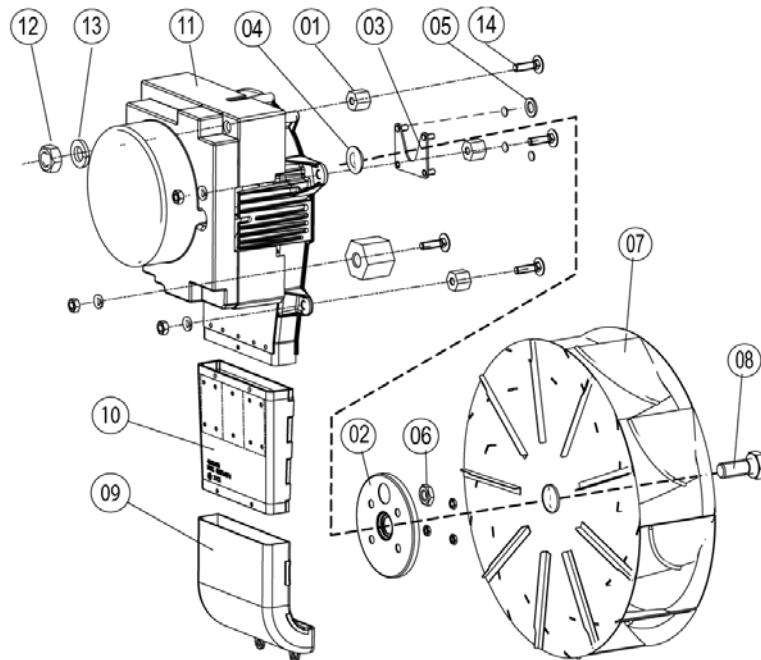
Item no.	Part no	Reference	Description
1	2118.1000		Pump connection spout
2	2120.1259		Stop plug 10mm
3	2066.0527		Hose clamp ø14mm
4	2066.0530		Hose clamp ø16.4mm
5	2062.0331		Junction pressure hose GS 10
6	4005.0101		Tie rap 145 mm



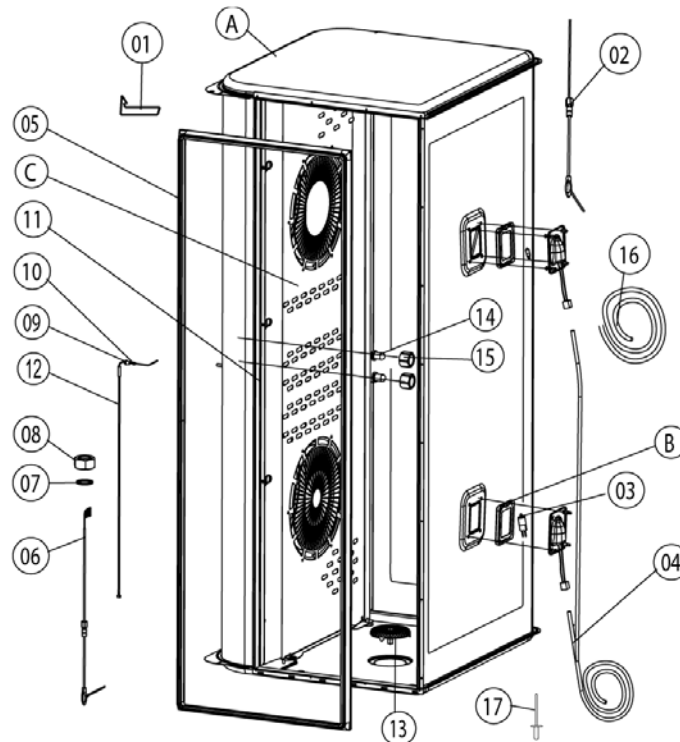
Item no.	Part no	Reference	Description
1	<a href="#">2062.0332</a>		Receptacle for ventilation valve SG
2	<a href="#">2069.0108</a>		Ventilation valve
3	<a href="#">2112.1310</a>		Form hose for ventilation of steam generator
4	<a href="#">2066.0506</a>		Hose clamp 20-32mm



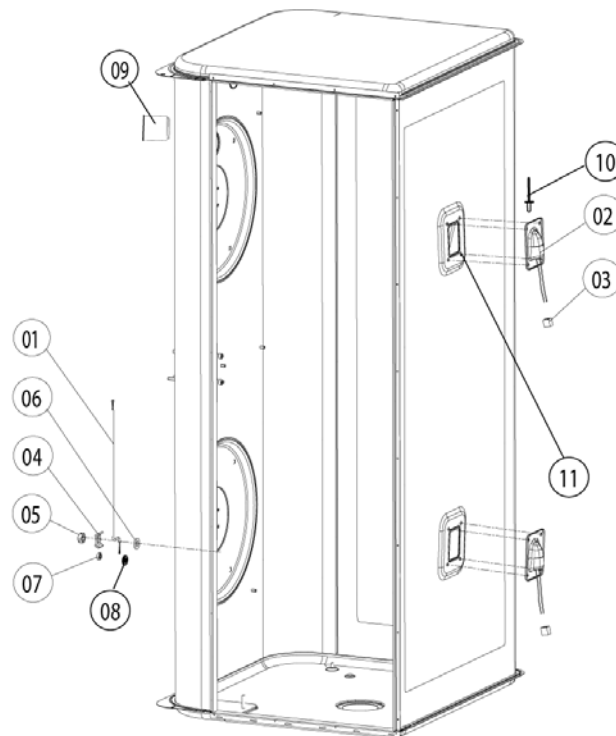
Item no.	Part no	Reference	Description
1	<a href="#">40.00.305</a>		Mating flange f. heating assembly
2	<a href="#">40.00.595</a>		Heating assembly
3	<a href="#">10.00.109</a>		Hex screw M5x23
4	<a href="#">1106.0360</a>		Cap nut M6, high shape
5	<a href="#">1306.0222</a>		Washer A6,4x15x1,5
6	<a href="#">40.00.332</a>		Gasket f. heating assembly



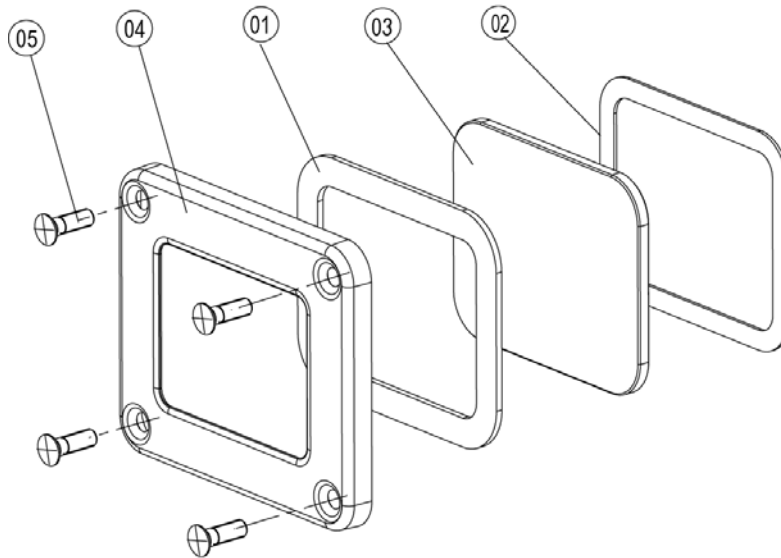
Item no.	Part no	Reference	Description
1	2120.1306		Spacer SW19x17
2	22.00.123		Flange f. motor shaft gasket
3	22.00.120		Mounting support f. gasket flange
4	22.00.083		Motor shaft gasket
5	1315.0101		Copper washer 6x10
6	1106.0220		Hex nut M6 flat
7	22.00.188		Fan wheel d340x110
8	1008.0763		Hex screw M8x20
8	10.00.565		Hex screw M8x20
10	40.00.435		Exhaust channel f. SSR
11	40.00.274		Fan motor
12	10.00.071		Hex nut M8
12	1108.0260		Hex nut M8
12	10.00.710		Hex nut M8 w. locking
13	1208.0260		Spring washer B8
14	1008.1005		Square necked mushroom head bolt 8x40



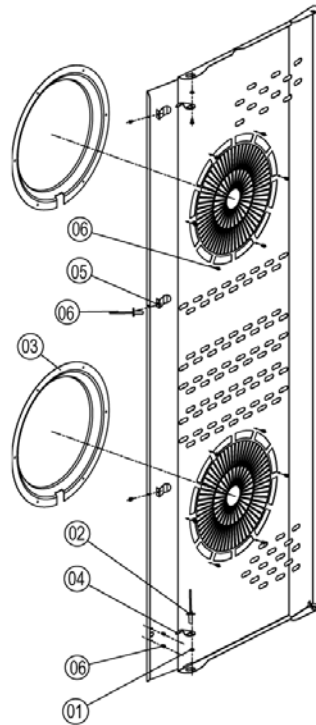
Item no.	Part no	Reference	Description
A		<a href="#">►7.A</a>	Interior cabinet
B	40.00.091	<a href="#">►7.B</a>	Gasket frame w. glass a. gaskets
C	22.00.297	<a href="#">►7.C</a>	Air baffle
C	22.00.384	<a href="#">►7.C</a>	Air baffle
1	40.00.520		Screen interior cabinet sensor
3	3024.0201		Halogen bulb for interior cabinet 300°C
4	40.00.224		Wiring interior light
5	20.00.398		Door gasket
6	40.02.100		Meat probe sensor
6	40.00.295		Meat probe sensor
7	1315.0104		Copper washer 16x20x1,5
8	10.00.422		Hex nut M16
9	3014.0162		Sealing cone for thermocouple
10	3014.0163		Gasket sleeve with nipple
11	22.00.220		Air baffle support
11	22.00.458		Air baffle support
12	40.00.594		Thermocouple interior cabinet B1
13	2005.0308		Outlet sieve
14	50.00.395		Nozzle f. moistening
15	50.00.394		Union nut M12x12
17	10.00.515		Rivet 3,2x5 A4



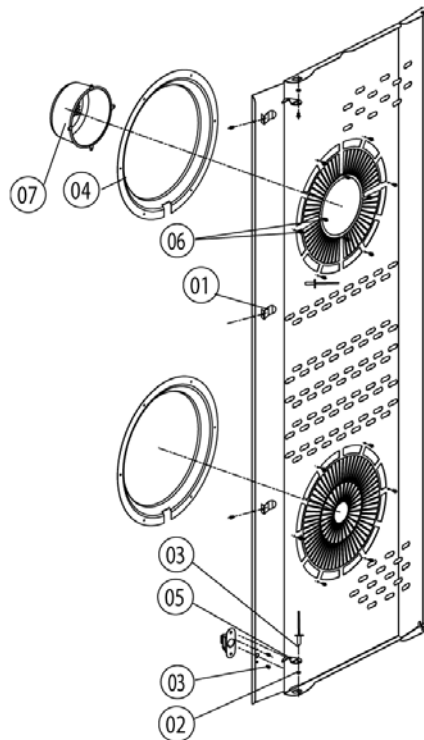
Item no.	Part no	Reference	Description
1	40.00.399		Thermocouple humidity
2	40.00.098		Reflector f. interior light
3	4001.1248		Porcelain connector 2-pin interior light
4	1330.0100		Clamp strap f. sensor
5	1106.0224		Hex nut M6 self locking
6	1306.0120		Washer A6,4
7	1104.0120		Hex nut M4
8	1204.0120		Tooth lock washer A4,3
9	2120.1277		Base for sensor connection
10	1603.0167		Tubular rivet 3,2x0.25x10
11	10.00.041		Rivet nut M5 hexagon closed



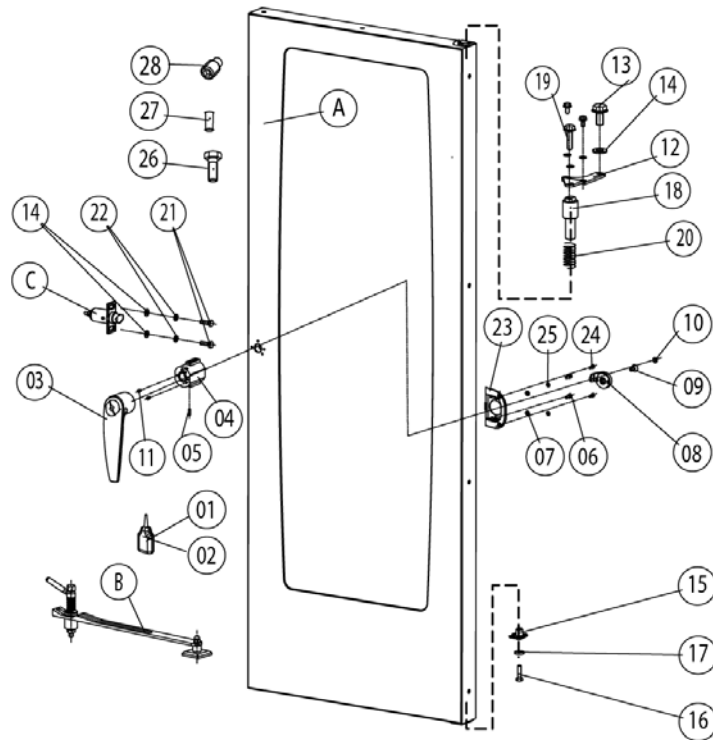
Item no.	Part no	Reference	Description
1	<a href="#">40.00.093</a>		Outer gasket f. interior light
2	<a href="#">40.00.094</a>		Inner gasket f. interior light
3	<a href="#">40.00.095</a>		Glass pane f. interior light
4	40.00.096		Gasket frame f. interior light
5	10.00.682		Phillips countersunk-head screw M5x16



Item no.	Part no	Reference	Description
1	1304.0160		Washer A4,3
2	1604.0167		Rivet 4x10
3	22.00.332		Air sucking ring f. air baffle
4	2760.1370		Latch hook for air baffle
5	40.01.289		Fixing clip core temp. cable
6	10.00.515		Rivet 3,2x5 A4
6	1603.0168		Rivet 3,2x8 A4
6	1603.0168		Rivet 3,2x8 A4



Item no.	Part no	Reference	Description
1	<a href="#">40.01.289</a>		Fixing clip core temp. cable
2	<a href="#">1304.0160</a>		Washer A4,3
3	<a href="#">1604.0167</a>		Rivet 4x10
4	<a href="#">22.00.332</a>		Air sucking ring f. air baffle
5	<a href="#">2760.1370</a>		Latch hook for air baffle
6	<a href="#">10.00.515</a>		Rivet 3,2x5 A4
6	<a href="#">1603.0168</a>		Rivet 3,2x8 A4
7	<a href="#">22.00.361</a>		Deep-draw f. air baffle



Item no.	Part no	Reference	Description
A	24.00.121	<a href="#">▶8.A</a>	Door
C	8514.1307	<a href="#">▶8.C</a>	Door catch
1	2001.0042		Loctite 243 10 ml
2	2001.0046		Loctite 272
3	24.00.136		Door handle
4	8474.1410		Door lock
5	1005.1901		Straight pin ø5,6x16
6	1006.0761		Hex screw M6x12
6	10.00.698		Hex screw M6x12 w. precoat 85
7	1206.0261		Spring washer B6
8	2940.1305		Door bolt
9	1008.1963		Hex socket countersunk head screw M8x16
10	2039.0309		Cover cap for door
11	1004.0665		Allen screw M4x6
11	10.00.696		Allen screw M4x6 w. Precoat 85
12	24.00.133		Door mounting support top
13	1008.0768		Ornamental screw M8x16
14	1308.0160		Washer A8,4
15	24.00.145		Door bolt
16	1008.0766		Hex screw M8x30
17	1308.0162		Washer A8,4
18	24.00.048		Door bolt
19	1008.0769		Ornamental screw M8x30
20	2001.0109		Compression spring
21	1008.0761		Hex screw M8x25
22	1208.0260		Spring washer B8
23	24.00.216		Mounting bracket f. door lock
24	1008.0752		Hex screw M5x10
24	10.00.697		Hex screw M5x10 w. precoat 85
25	1305.0160		Washer A5,3x10mm



# SCC 201E

Valid as of E21SE0404 up to E21SE....

Electrical unit

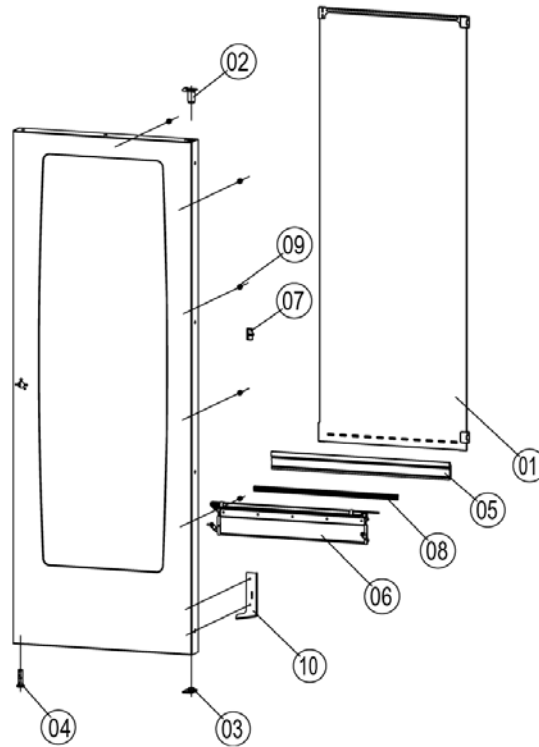
▶ **8 Door**

**8**

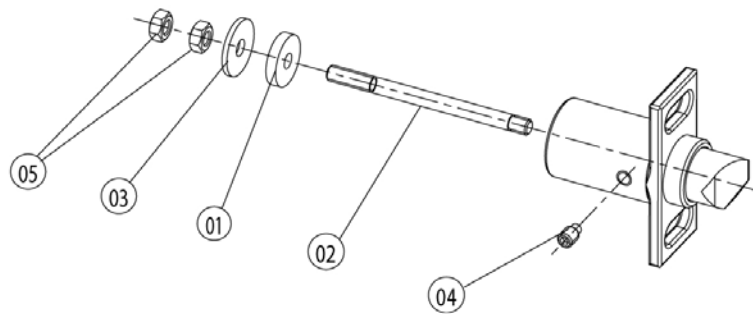
8 Door

Voltage **3 AC 200V 50-60Hz**

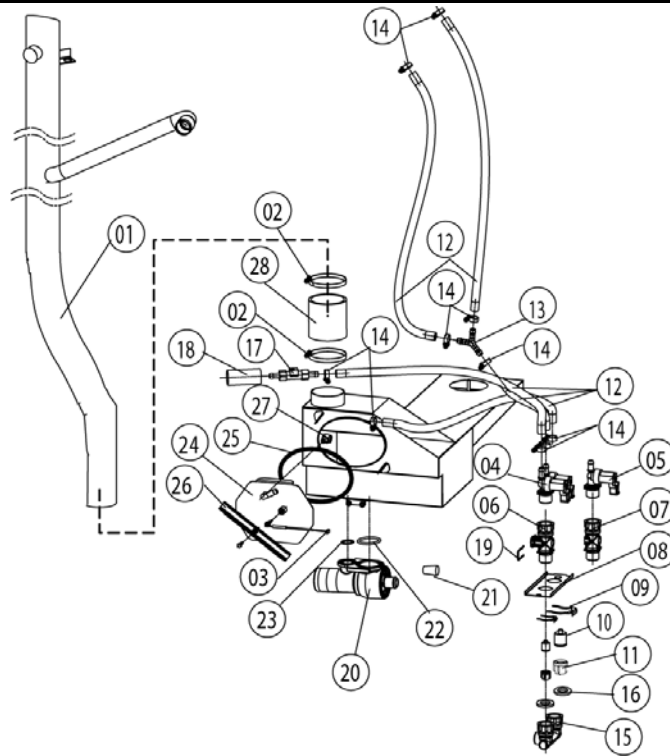
Item no.	Part no	Reference	Description
26	10.00.099		Hex screw M8x12
27	<a href="#">1005.1903</a>		Straight pin ø5,6x12
28	1004.0906		Hex socket set screw M4x8



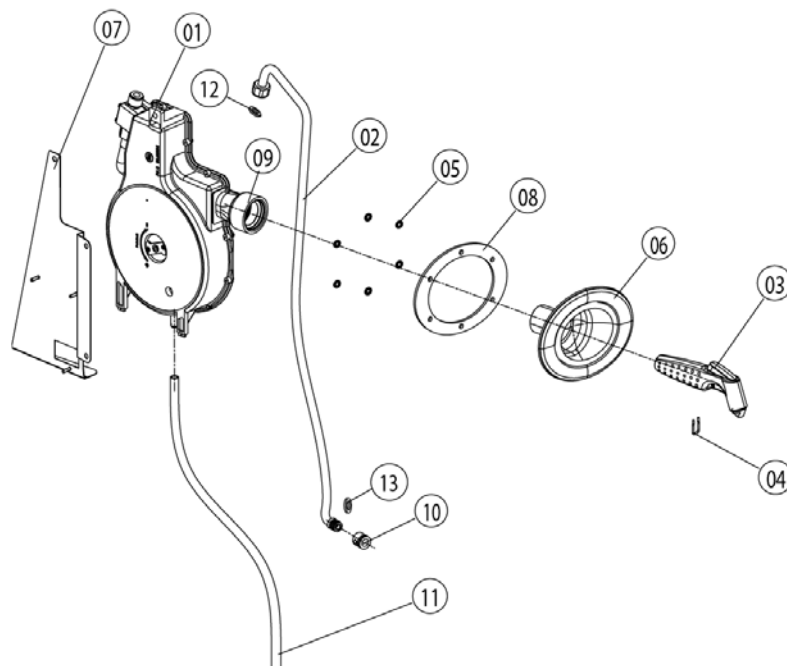
Item no.	Part no	Reference	Description
1	24.00.210		Inner glass pane
2	24.00.147		Sleeve for door bolt top
3	24.00.159		Door setting bolt
4	24.00.503		Fixing device f. magnet with magnet
5	24.00.187		Gasket glass pane/trolley
6	24.00.177		Pre heat mechanism f. door cpl.
7	24.00.507		Fixing device middle f.inter. glass pane
8	24.00.700		Additional gasket f. trolley
9	24.01.259		Plastic buffer 8,1mm
10	24.01.234		Bracket right f. door floor model



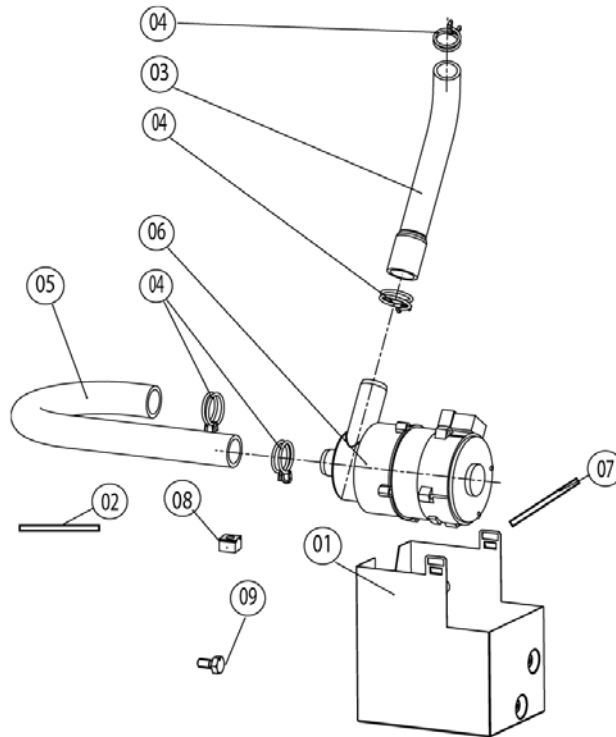
Item no.	Part no	Reference	Description
1	<a href="#">5012.0711</a>		Silicone plate for door
2	<a href="#">1006.1000</a>		Stud bolt M6x75
3	<a href="#">1306.0550</a>		Washer A6,6
4	<a href="#">1004.0904</a>		Hex socket set screw M6x10
5	<a href="#">1106.0160</a>		Hex nut M6
6	<a href="#">2001.0119</a>		Compression spring f. door catch
7	<a href="#">1006.0625</a>		Allen screw M6x70



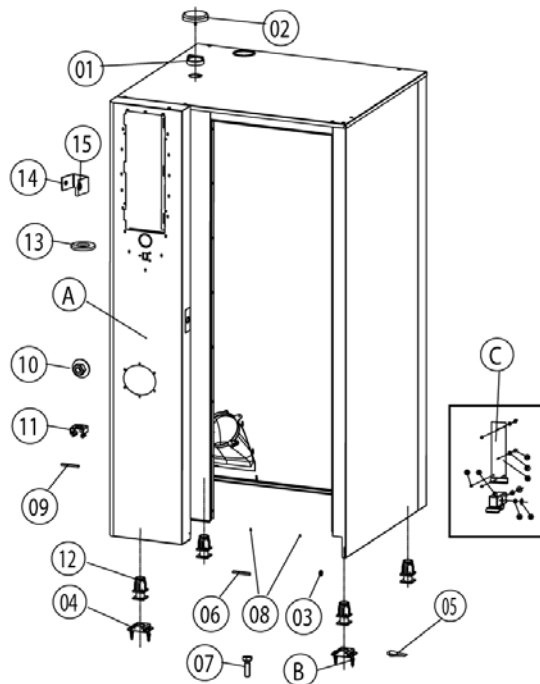
Item no.	Part no	Reference	Description
1	54.00.208		Exhaust pipe
2	2066.0516		Hose clamp 60-80 mm
3	40.00.398		Thermocouple quenching
4	50.00.138		Double solenoid valve
5	50.00.139		Single solenoid valve
6	50.00.072		Water distribution vert roll guide con.
7	50.00.073		Water distribution vert w/o roll guide con.
8	50.00.275		Mounting device f. water distribution
9	50.00.086		Locking plate f. water distribution
10	50.00.078		Non return valve DW16/DN12
11	1900.0202		Water filter
12	2067.0050		Pressure hose d10mm
13	2062.0303		Y-filting YS10
14	2066.0205		Hose clamp 8-16x9 mm SW 7mm
15	8664.1301		T-fitting water connection
16	5110.1024		Gasket for G3/4" threaded joint
17	44.00.670		Water volume sensor with wire
18	2112.1346		Protecting hose ø28x2x70mm
19	50.00.085		Plug-in spring f. hand shower roll guide
20	54.00.357		Ball valve drain SCC cpl.
21	10.00.369		Plug cone shaped
22	10.00.511		O-ring for ball valve drain 46x3.5
23	10.00.512		O-ring for ball valve drain 26x3.5
24	54.00.237		Inspection lid f. quenching chamber
25	5012.0566		Gasket quenching chamber 0-ring
26	54.00.225		Clamping bar
27	2016.0943		Quenching nozzle
28	2112.1307		Hose 70x5mm



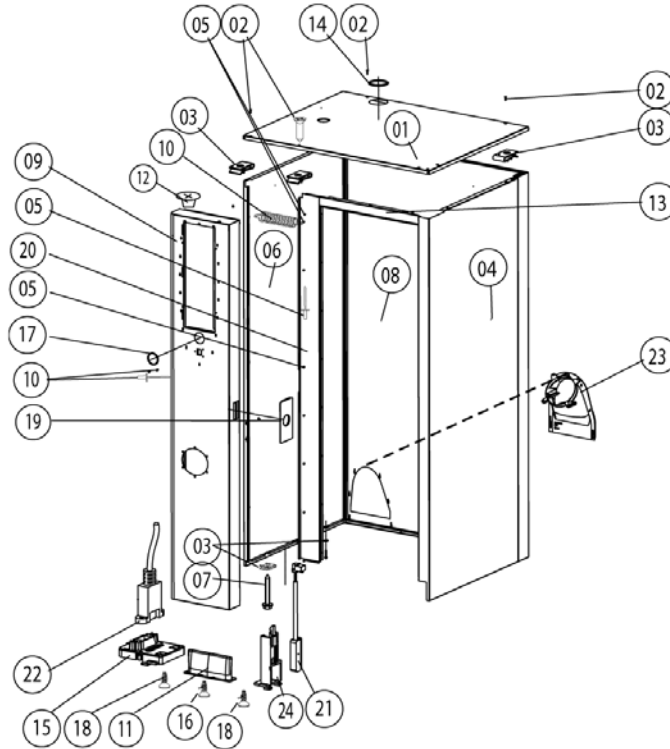
Item no.	Part no	Reference	Description
1	50.00.176		Hand shower roll guide
2	50.00.230		Connect. pipe f. hand shower roll guide
3	50.00.130		Hand shower
4	50.00.156		Clamp f. hand shower roll guide
5	1107.0100		Star lock $\varnothing 4$
6	50.00.135		Tulip for handshower
7	50.00.544		Mounting device f. hand sh. roll guide
8	50.00.290		Gasket f. tulip
9	50.00.297		Gasket f. tulip
10	2069.0107		Non return valve DN6 steam generator
11	50.00.548		Hose $\varnothing 10 \times 2 \times 500$ f. hand shower
12	50.00.537		Gasket f. connect.pipe hand shower roll guide
13	50.00.538		O-ring f. connect. pipe f. hand shower roll guide



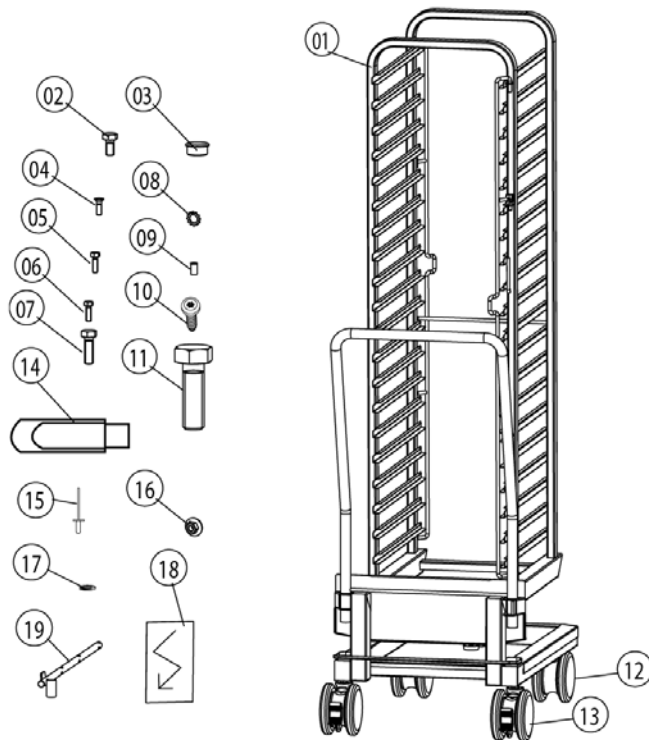
Item no.	Part no	Reference	Description
1	12.00.245		Housing f. Cleaning pump
2	10.00.091		Rubber profile f. edge protection
3	56.00.175		Pressure hose f. cleaning
4	2066.0521		Hose clamp 27mm
5	56.00.176		Suction hose f. cleaning
6	56.00.178		Pump f. cleaning UP30
7	12.00.280		Fixing device pump housing
8	1106.0802		Cage nut M6
9	1006.0760		Hex screw M6x16



Item no.	Part no	Reference	Description
A		<a href="#">►13.A</a>	Exterior cabinet
1	<a href="#">22.00.354</a>		Spacer ring
1	<a href="#">8450.1310</a>		Spacer ring
2	<a href="#">22.00.353</a>		Vent cover
2	<a href="#">8455.1209</a>		Vent cover
3	<a href="#">2022.0101</a>		Grommet 18 mm
4	<a href="#">8700.0317</a>		Floor fixing for units
5	<a href="#">5006.0213</a>		Glue for floor fixing brackets
6	<a href="#">5013.0100</a>		Edge protection profile
7	<a href="#">1006.0760</a>		Hex screw M6x16
9	<a href="#">10.00.091</a>		Rubber profile f. edge protection
11	<a href="#">1106.0802</a>		Cage nut M6
12	<a href="#">2039.0111</a>		Foot adjustable, metal, 40 x 40



Item no.	Part no	Reference	Description
1	16.00.337		Top cover
2	1003.2265		Countersunk self tapping screw 4,2x16
3	1104.0820		Snap nut 4,2mm
4	16.00.142		Side panel right
5	1603.0166		Rivet 3,2x7,9 CNS closed
6	16.00.143		Side panel left
7	10.00.102		Hex self tapping screw B4,2x32
8	16.00.195		Back panel
9	16.00.296		Front panel
10	2002.0107		Tension spring for front panel
11	16.00.673		Air inlet filter
12	2039.0331		Cap for service door
13	16.00.330		Crossbar top
14	5105.1028		Gasket f. breather tube d=74mm
15	16.00.329		Cover f. USB interface
16	10.00.103		EJOT PT-screw KA 3.5x10
17	16.00.338		Edge protection profile
18	10.00.460		EJOT PT-Screw Torx 3,5x14
19	16.00.115		Rosette
20	16.00.358		Crossbar front panel
21	40.00.335		Door switch
22	40.00.470		Interface cable USB 1.5m
23	40.00.476		Exhaust channel
24	16.00.384		Bracket for door contact switch



Item no.	Part no	Reference	Description
1	60.21.054		Mobile oven rack for type 201,
2	1008.0760		Hex screw M8x16
3	10.00.357		Rubber plug black
4	10.00.448		Phillips countersunk-head screw M5x16
5	1008.0750		Hex screw M5x16
6	1004.0666		Hex screw M4x10
7	10.00.565		Hex screw M8x20
8	1208.0160		Tooth lock washer A8,4
9	1104.0400		Rivet nut M4
12	60.60.101		Castor without brake $\varnothing$ 125mm
13	60.60.100		Castor with brake $\varnothing$ 125mm
14	42.00.029		USB-Memory-Stick
15	1603.0162		Rivet 3,2x9
18	4019.0008		Sticker Electric/Danger
19	60.60.574		Positioning support f. core sensor