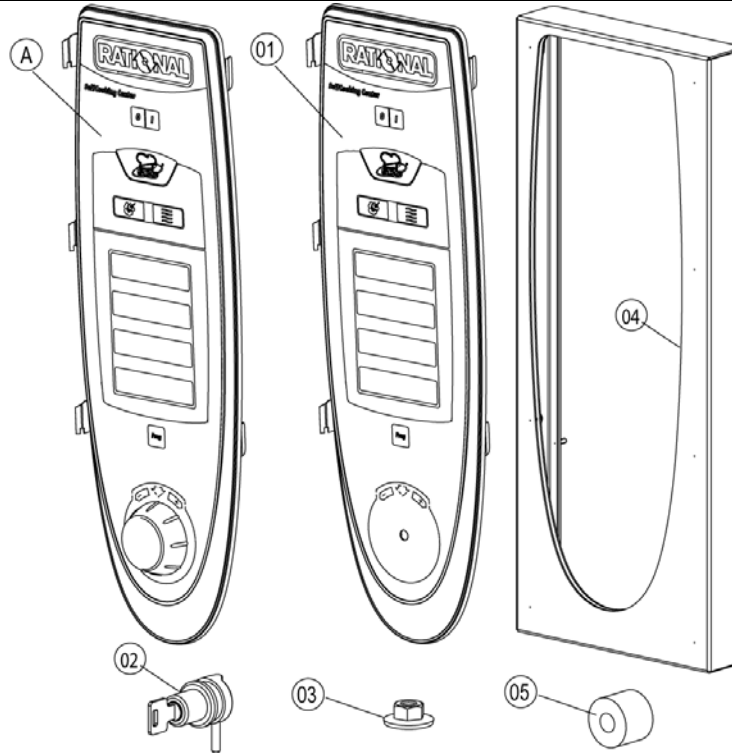
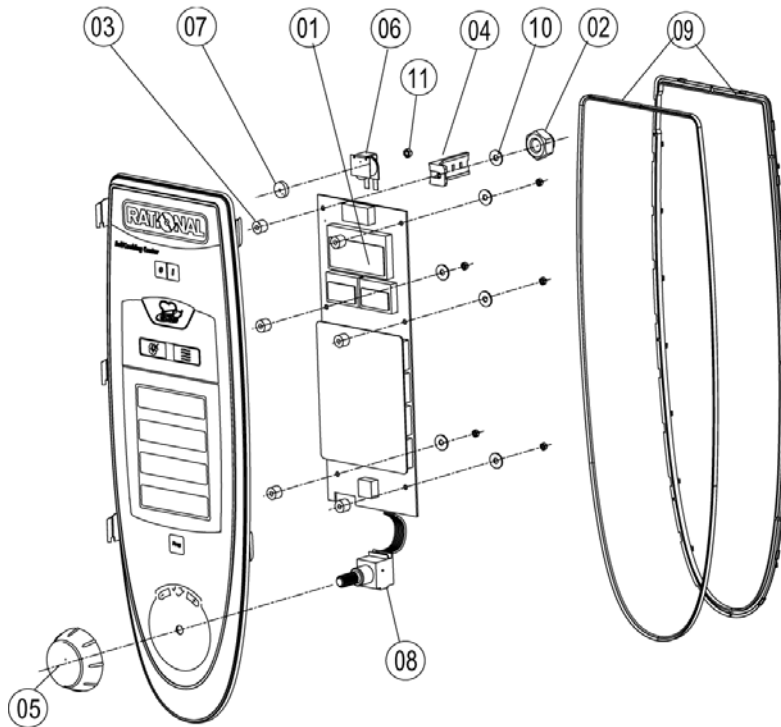


| Item no. | Part no | Reference | Description |
|----------|---------|---------------------|-----------------------------|
| 1 | | ►1 | Control panel |
| 2 | | ►2 | Electrical installation |
| 3 | | ►3 | Clima Plus |
| 4 | | ►4 | Steam generator, Bypass |
| 5 | | ►5 | Hot air heating |
| 6 | | ►6 | Motor and fan wheel |
| 7 | | ►7 | Interior cabinet |
| 8 | | ►8 | Door |
| 9 | | ►9 | Water supply, quenching box |
| 10 | | ►10 | Hand shower |
| 11 | | ►11 | CleanJet |
| 12 | | ►12 | Gas parts |
| 13 | | ►13 | Exterior cabinet |
| 14 | | ►14 | Miscellaneous |

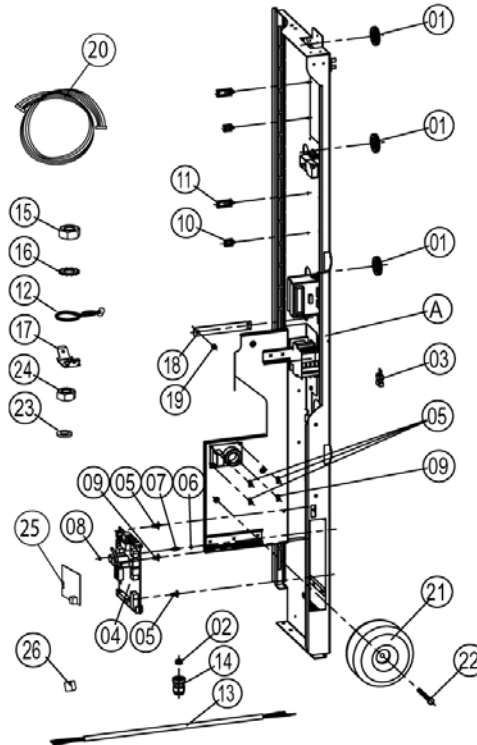
| | | |
|-----------|--|-----------|
| 1 | Control panel | 3 |
| 1.A | Control panel..... | 4 |
| 2 | Electrical installation | 5 |
| 2.A | Contactor assembly | 6 |
| 3 | Clima Plus | 8 |
| 3.A | Hose set f. humidity control | 9 |
| 3.A | Hose set f. humidity control | 10 |
| 4 | Steam generator, Bypass | 11 |
| 4.A | Pump connection spout cpl. | 13 |
| 4.B | Venting valve for steam generator | 14 |
| 5 | Hot air heating | 15 |
| 5.A | Burner hot air | 16 |
| 6 | Motor and fan wheel | 17 |
| 7 | Interior cabinet | 18 |
| 7.A | Interior cabinet | 19 |
| 7.B | Gasket frame w. glass a. gaskets | 20 |
| 7.C | Air baffle..... | 21 |
| 7.C | Air baffle f. Service..... | 22 |
| 8 | Door | 23 |
| 8.A | Door | 25 |
| 8.C | Door catch..... | 26 |
| 9 | Water supply, quenching box | 27 |
| 10 | Hand shower | 28 |
| 11 | CleanJet | 29 |
| 12 | Gas parts | 30 |
| 12.A | Gas valve cpl. ND 055 RG148 | 32 |
| 12.B | Gas valve cpl. WND 055 RG130..... | 33 |
| 13 | Exterior cabinet | 34 |
| 13.A | Exterior cabinet | 35 |
| 14 | Miscellaneous | 36 |



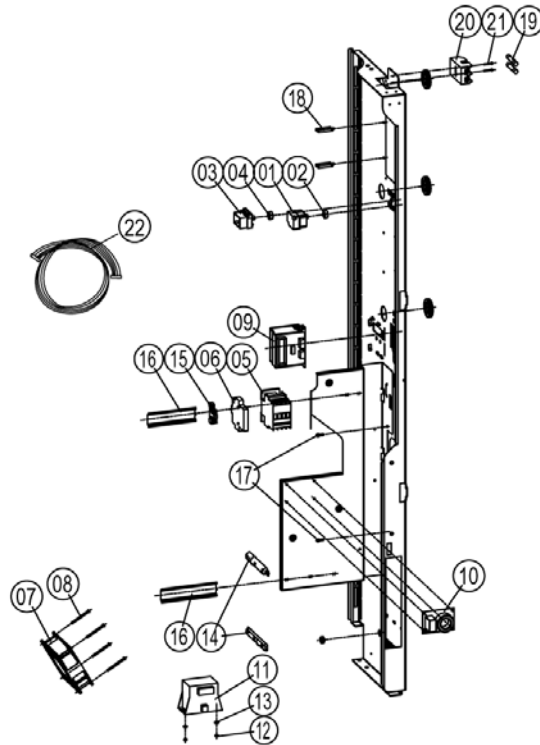
| Item no. | Part no | Reference | Description |
|----------|---------------------------|----------------------|-----------------------------------|
| A | | ►1.A | Control panel |
| 1 | 87.00.002 | | Control panel insert with overlay |
| 5 | 2039.0326 | | Spacer for pcb |



| Item no. | Part no | Reference | Description |
|----------|-----------|-----------|---|
| 1 | 42.00.002 | | Control pcb |
| 2 | 1104.0121 | | Hex nut M4 self locking |
| 3 | 10.00.355 | | Spacer black |
| 4 | 2020.0400 | | Fixing device for cable harness |
| 5 | 16.00.232 | | Dial f. pulse generator |
| 6 | 40.02.087 | | Buzzer |
| 6 | 3006.0107 | | Buzzer |
| 7 | 5110.1029 | | Gasket mode switch |
| 7 | 5110.1028 | | Gasket poti hot air, core temperature |
| 8 | 40.00.404 | | Pulse generator |
| 9 | 16.00.387 | | Mounting device f.sealing + sealing lip |
| 10 | 1306.0218 | | Washer A4,3 |
| 11 | 1103.0122 | | Hex nut M3 self-locking |



| Item no. | Part no | Reference | Description |
|----------|-----------|----------------------|---------------------------------------|
| A | | ►2.A | Contacteur assembly |
| 1 | 4007.0620 | | Membrane DGC 29 |
| 2 | 10.00.510 | | Grommet 10/12/16-2 |
| 3 | 42.00.007 | | External memory |
| 4 | 40.00.049 | | Relay-I/O pcb |
| 4 | 42.00.045 | | Relay-I/O pcb w/o Sicotronic |
| 5 | 40.00.417 | | Fixing clip f. pcb |
| 6 | 1104.0801 | | Cage nut M4 |
| 7 | 10.00.243 | | Spacer M4x8 |
| 8 | 1104.0120 | | Hex nut M4 |
| 9 | 40.01.579 | | Fixing clip f. pcb |
| 10 | 10.00.112 | | Cable clip short |
| 11 | 10.00.111 | | Cable clip long |
| 12 | 10.00.471 | | Cable clip d10-12mm |
| 13 | 40.01.597 | | Power supply cable 3xAWG14 |
| 14 | 40.00.320 | | Cable connection M20x1.5 |
| 15 | 1106.0160 | | Hex nut M6 |
| 16 | 1206.0120 | | Tooth lock washer A6,4 |
| 17 | 4002.0110 | | Cable connector, junction |
| 18 | 40.01.132 | | Center fixation f. contactor assembly |
| 19 | 1106.0224 | | Hex nut M6 self locking |
| 20 | 40.01.091 | | Bus cable 0.4m |
| 20 | 40.00.471 | | Bus cable 0.8m |
| 20 | 40.00.472 | | Bus cable 1.3m |
| 21 | 40.00.281 | | Power transformer |
| 22 | 10.00.445 | | Hex screw M8x80 |
| 26 | 40.01.600 | | Insulating screw joint 2pol. |



| Item no. | Part no | Reference | Description |
|----------|-------------|-----------|---------------------------------------|
| 1 | 3014.0328 | | Dry up protector 275°F/135°C |
| 2 | 3014.0302 | | Hex nut M10 for dry-up protector |
| 3 | 40.01.482 | | Safety temperature limiter 365°C |
| 4 | 3014.0327 | | Hex nut M10x1,0 |
| 5 | 40.00.451 | | Contacteur MC1A 310 AH6 |
| 7 | 40.00.474 | | Cooling fan D.C. |
| 8 | 10.00.238 | | Screw Torx 4x50 |
| 9 | 40.00.277 | | Control transformer |
| 10 | 40.01.483 | | Electronic noise filter |
| 11 | 40.00.592 | | Transformer f. cooling fan |
| 12 | 1105.0120 | | Hex nut M5 |
| 13 | 1305.0160 | | Washer A5,3x10mm |
| 14 | 40.01.272 | | Plug positioning bar I/O pcb |
| 15 | 4001.1203 | | End plate for mounting rail |
| 16 | 2620.370233 | | Installation rail for Contactor 100mm |
| 16 | 2816.1307 | | Installation rail for Contactor 140mm |
| 17 | 10.00.061 | | Pan head screw Torx T20 M4x12 |
| 18 | 10.00.111 | | Cable clip long |
| 19 | 40.01.588 | | Fuse SC-8A 10x38 |
| 20 | 40.01.487 | | Fuse holder 2pol |
| 21 | 10.00.364 | | Pan head screw Torx M3x12 |
| 22 | 40.00.221 | | Cable burner blower |
| 22 | 40.01.485 | | Cable burner blower |
| 22 | 40.00.209 | | Cable buzzer |
| 22 | 40.01.541 | | Cable CDS sensor |
| 22 | 40.01.301 | | Cable control harness |
| 22 | 40.01.543 | | Cable control transformer sec. |
| 22 | 40.00.225 | | Cable control transformer sec. |
| 22 | 40.00.238 | | Cable differential pressure switch |
| 22 | 40.00.230 | | Cable gas valve |



SCC 202G

Valid as of **G22SE0404** up to **G22SE....**

Gas unit

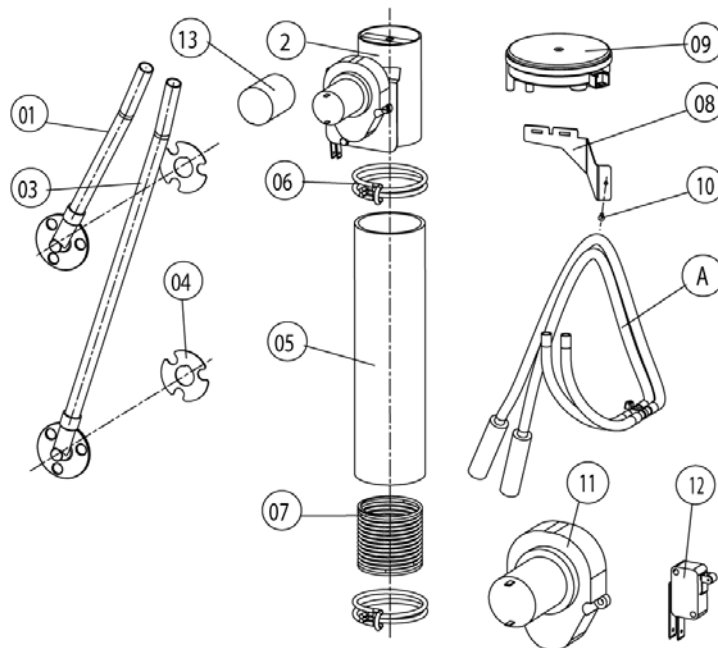
▶ 2.A Contactor assembly

2

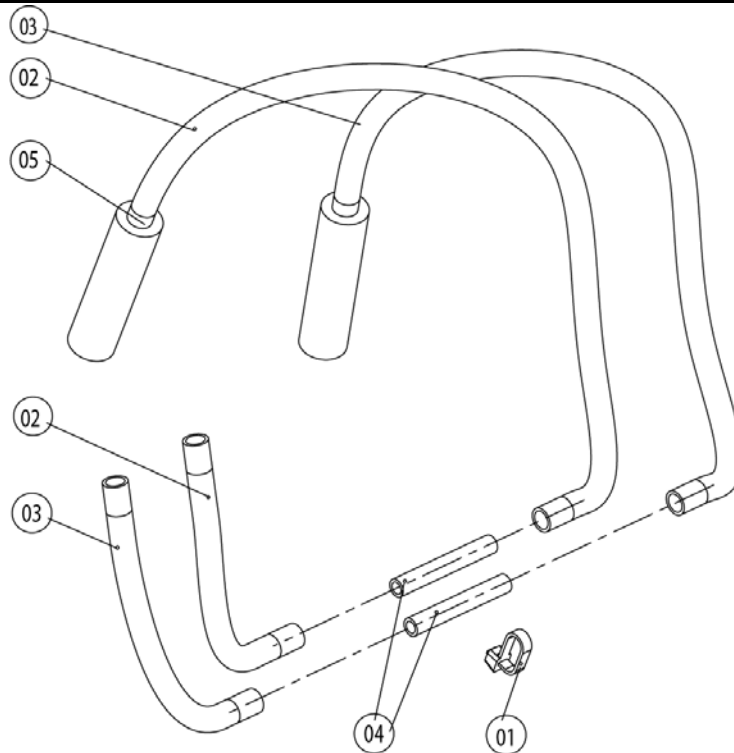
2 Electrical installation

Voltage 1 NAC 120V 60Hz

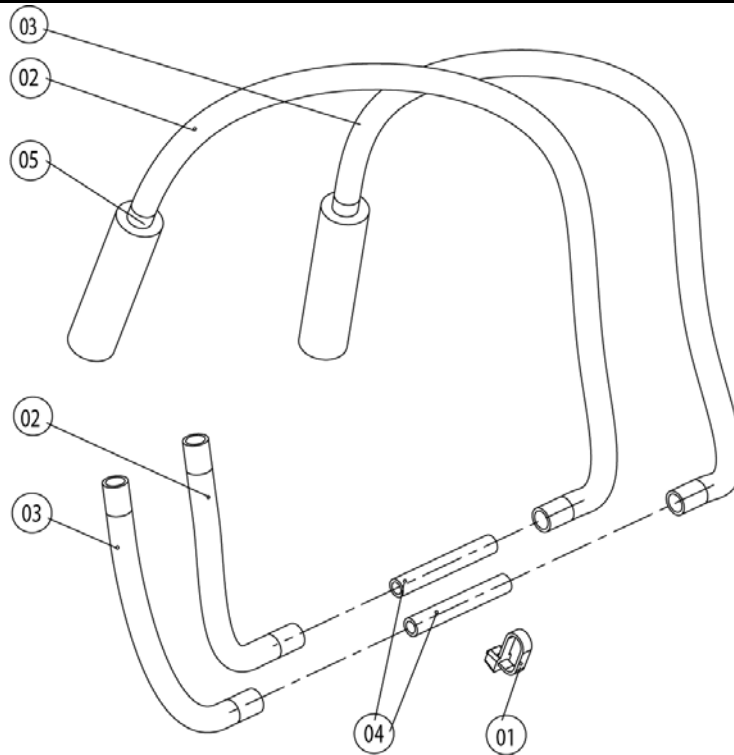
| Item no. | Part no | Reference | Description |
|----------|---------------------------|-----------|-------------------------------------|
| 22 | 40.00.249 | | Cable harness isolating transformer |
| 22 | 40.00.208 | | Cable humidity control |
| 22 | 40.01.542 | | Cable level electrode |
| 22 | 40.00.226 | | Cable SC pump |
| 22 | 40.00.203 | | Cable solenoid valve |
| 22 | 40.00.237 | | Ground wire |



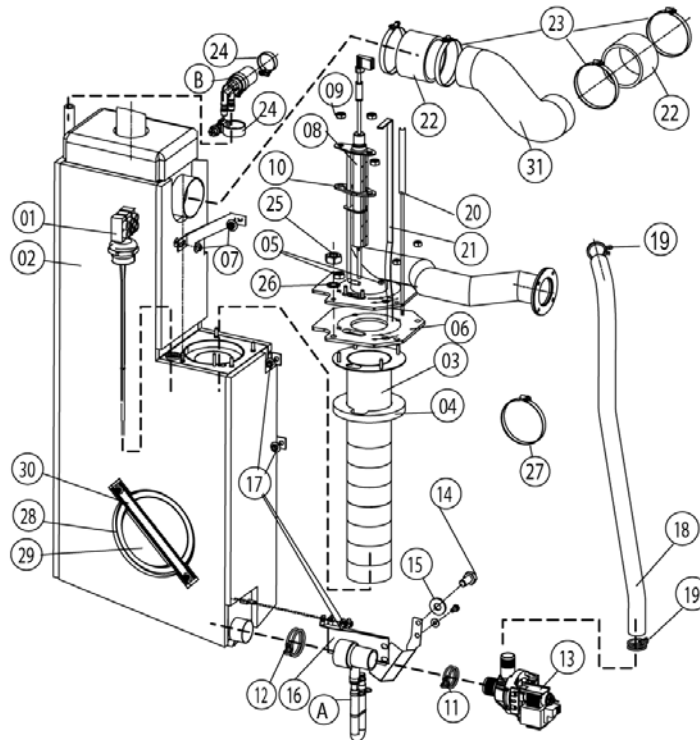
| Item no. | Part no | Reference | Description |
|----------|-----------|----------------------|---|
| A | 22.00.287 | ▶3.A | Hose set f. humidity control |
| A | 22.00.256 | ▶3.A | Hose set f. humidity control |
| 1 | 22.00.199 | | Inner humidity meas. Piece |
| 2 | 22.00.318 | | Humidity control cpl. with motor |
| 3 | 22.00.200 | | Outer humidity meas. Piece |
| 4 | 22.00.198 | | Gasket f. hum. meas. Pipe |
| 5 | 22.00.214 | | Hose d50x202 |
| 6 | 2066.0531 | | Hose clamp ø56 |
| 7 | 2001.0124 | | Compression spring |
| 9 | 3017.1011 | | Pressure sensor for humidity control Huba 401 |
| 11 | 3101.1010 | | Humidity control motor |
| 12 | 3016.0102 | | Micro switch |
| 13 | 3101.1021 | | Protecting cap f.12VDC humidity motor |



| Item no. | Part no | Reference | Description |
|----------|---------------------------|-----------|--|
| 1 | 4005.0101 | | Tie rap 145 mm |
| 2 | 2110.1020 | | Silicon hose $\varnothing 5 \times 1.5$ blue |
| 3 | 2110.1019 | | Silicone hose $\varnothing 5 \times 1,5$ "red" |
| 4 | 1900.0203 | | Ceramic tube 8x5x60mm for |
| 5 | 2112.1338 | | Silicone hose $\varnothing 8 \times 2 \times 20$ |



| Item no. | Part no | Reference | Description |
|----------|---------------------------|-----------|--|
| 1 | 4005.0101 | | Tie rap 145 mm |
| 2 | 2110.1020 | | Silicon hose $\varnothing 5 \times 1.5$ blue |
| 3 | 2110.1019 | | Silicone hose $\varnothing 5 \times 1,5$ "red" |
| 4 | 1900.0203 | | Ceramic tube 8x5x60mm for |
| 5 | 2112.1338 | | Silicone hose $\varnothing 8 \times 2 \times 20$ |



| Item no. | Part no | Reference | Description |
|----------|-----------|----------------------|---|
| A | 8354.1320 | ►4.A | Pump connection spout cpl. |
| B | 8354.1304 | ►4.B | Venting valve for steam generator |
| 1 | 44.00.287 | | Filling level electrode 135mm |
| 2 | 44.00.187 | | Steam generator insolated |
| 3 | 72.00.011 | | Burner steam gen. |
| 4 | 72.00.048 | | Insulation f. burner steam gen. |
| 5 | 1104.0122 | | Hex combination nut M4 galv |
| 6 | 72.00.020 | | Gasket f. burner carrier |
| 7 | 1105.0121 | | Hex combination nut M5 galv |
| 8 | 44.00.249 | | Ignition electrode steam generator |
| 9 | 1104.0120 | | Hex nut M4 |
| 10 | 44.00.250 | | Gasket f. ignition electrode |
| 11 | 2066.0519 | | Hose clamp 35,6mm |
| 12 | 2066.0526 | | Hose clamp ø46mm |
| 13 | 44.00.207 | | Emptying pump |
| 14 | 1006.0762 | | Hex screw M6x10 |
| 15 | 1306.0222 | | Washer A6,4x15x1,5 |
| 16 | 44.00.226 | | Fixing device f. pump steam generator |
| 17 | 1106.0803 | | Hex combination nut M6 galv |
| 18 | 44.00.238 | | Drain hose steam generator |
| 19 | 2066.0518 | | Hose clamp 30mm |
| 20 | 40.01.095 | | Thermocouple steam gen. (B5) |
| 20 | 40.00.291 | | Thermocouple steam generator |
| 21 | 44.00.517 | | Fixing plate steam generator thermostat |
| 22 | 44.00.362 | | Steam hose 70x5 |
| 23 | 2066.0505 | | Hose clamp 70-90mm |
| 24 | 2066.0506 | | Hose clamp 20-32mm |
| 25 | 1105.0120 | | Hex nut M5 |
| 26 | 1205.0120 | | Tooth lock washer A5,3 |
| 27 | 2066.0300 | | Hose clamp 50-70 mm |



SCC 202G

Valid as of **G22SE0404** up to **G22SE....**

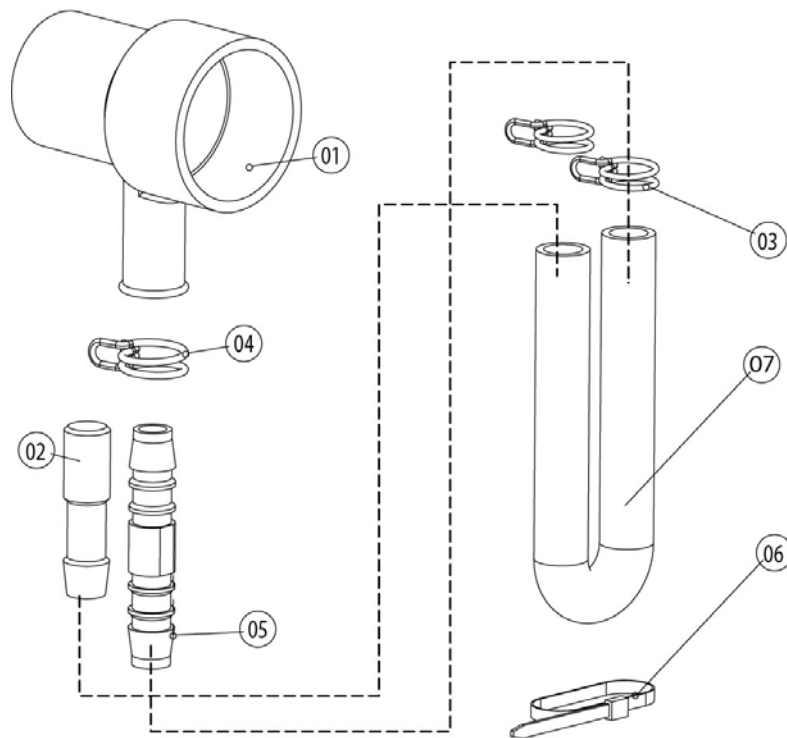
Gas unit

▶ 4 Steam generator, Bypass

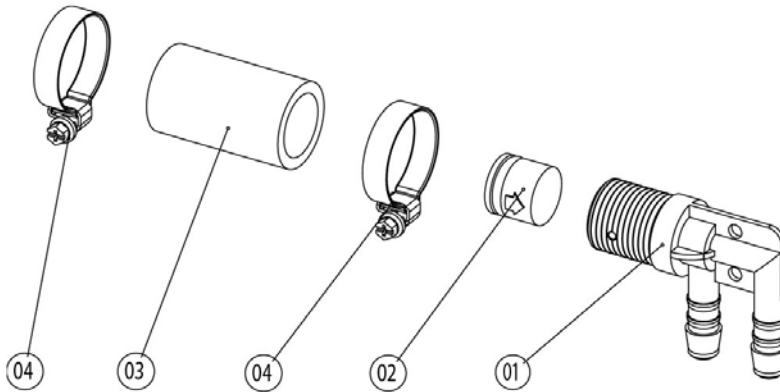
4

4 Steam generator, Bypass Voltage 1 NAC 120V 60Hz

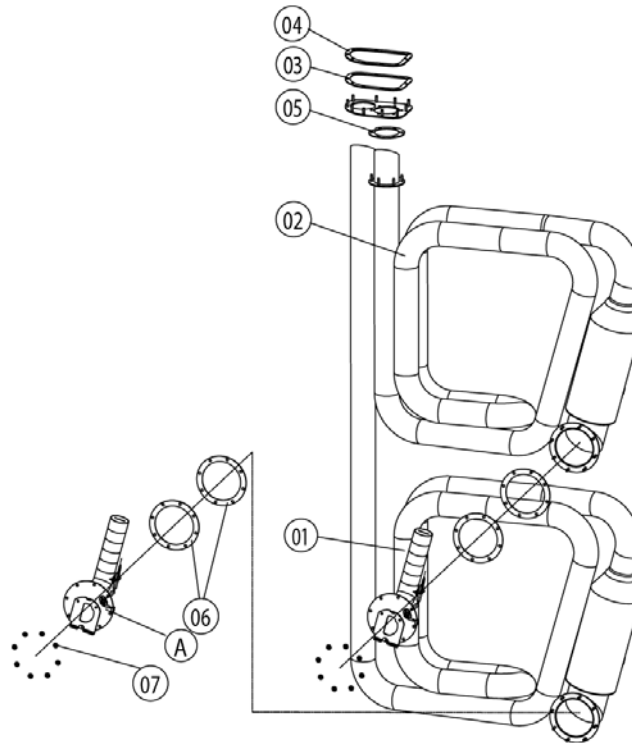
| Item no. | Part no | Reference | Description |
|----------|---------------------------|-----------|---|
| 28 | 5012.0566 | | Gasket quenching chamber O-ring |
| 29 | 44.00.263 | | Panel for revision hole steam generator |
| 30 | 44.00.264 | | Clamping bar for panel revision hole |
| 31 | 44.00.361 | | Steam pipe |



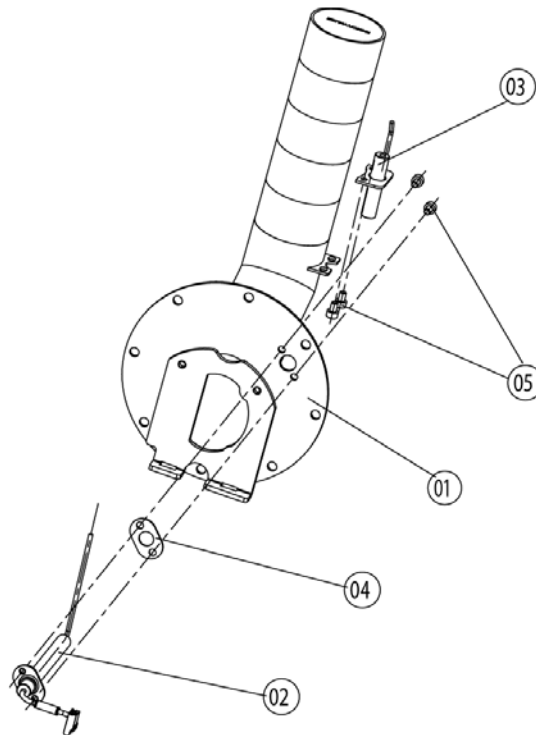
| Item no. | Part no | Reference | Description |
|----------|-----------|-----------|------------------------------|
| 1 | 2118.1000 | | Pump connection spout |
| 2 | 2120.1259 | | Stop plug 10mm |
| 3 | 2066.0527 | | Hose clamp ø14mm |
| 4 | 2066.0530 | | Hose clamp ø16.4mm |
| 5 | 2062.0331 | | Junction pressure hose GS 10 |
| 6 | 4005.0101 | | Tie rap 145 mm |



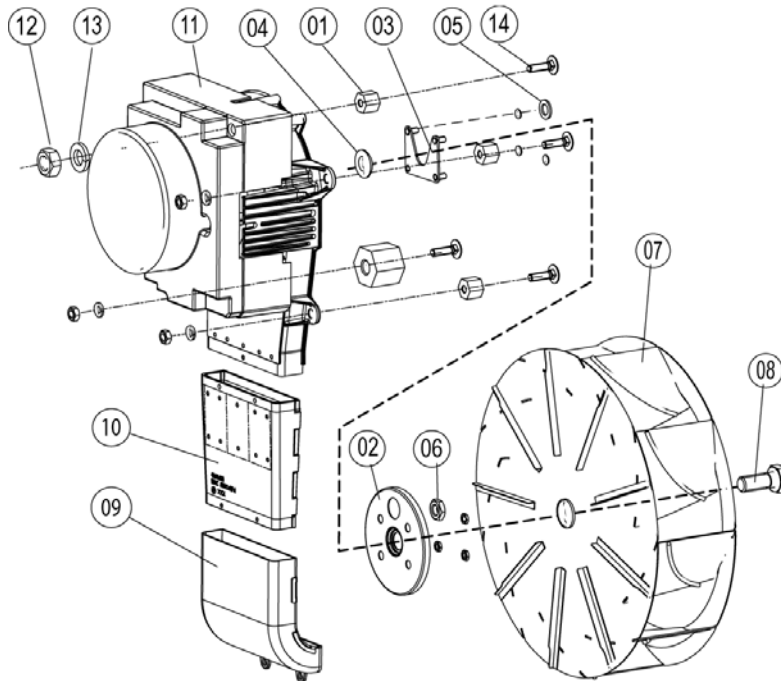
| Item no. | Part no | Reference | Description |
|----------|---------------------------|-----------|--|
| 1 | 2062.0332 | | Receptacle for ventilation valve SG |
| 2 | 2069.0108 | | Ventilation valve |
| 3 | 2112.1310 | | Form hose for ventilation of steam generator |
| 4 | 2066.0506 | | Hose clamp 20-32mm |



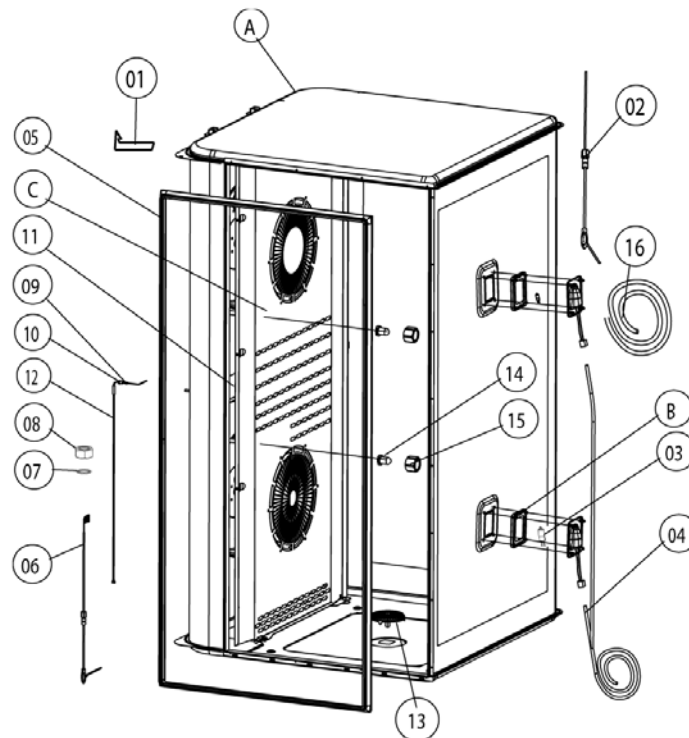
| Item no. | Part no | Reference | Description |
|----------|---------------------------|----------------------|--|
| A | 74.00.243 | ►5.A | Burner hot air |
| 1 | 74.00.180 | | Hot air heat exchanger below |
| 2 | 74.00.183 | | Hot air heat exchanger top |
| 3 | 74.00.234 | | Gasket hot air heat exchanger/interior cabinet |
| 4 | 74.00.313 | | Mating flange heat exchanger |
| 5 | 74.00.318 | | Gasket f. heat exchanger top |
| 6 | 74.00.296 | | Gasket f. heat exchanger below |
| 7 | 1105.0122 | | Hex combination nut M5 V2A |



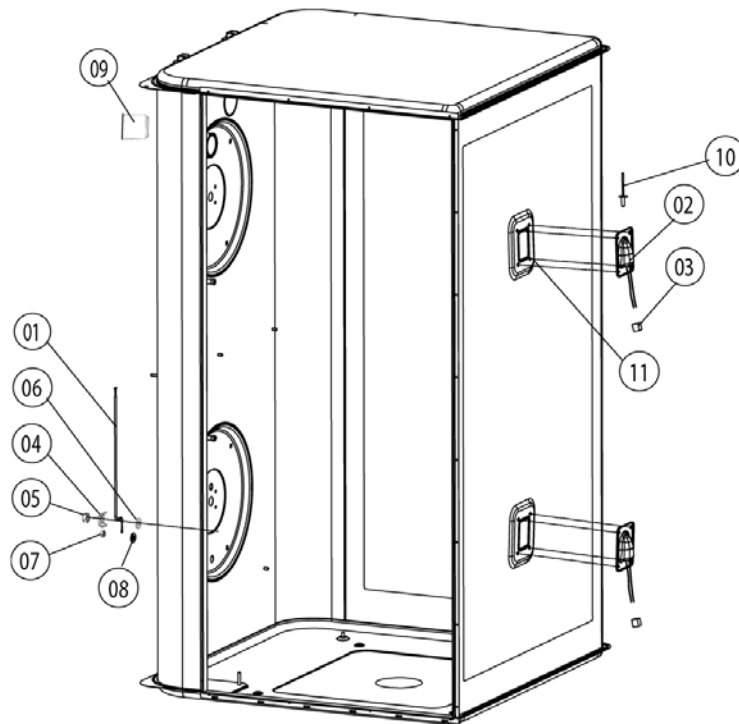
| Item no. | Part no | Reference | Description |
|----------|---------------------------|-----------|--------------------------------|
| 1 | 74.00.343 | | Burner welded hot air |
| 2 | 74.00.230 | | Ignitionelectrode1 f. hot air |
| 3 | 74.00.235 | | Ignitionelectrode2 f. hot air |
| 4 | 74.00.290 | | Gasket electrode hot air |
| 5 | 10.00.696 | | Allen screw M4x6 w. Precoat 85 |
| 5 | 10.00.060 | | Pan head screw Torx M4x6 |



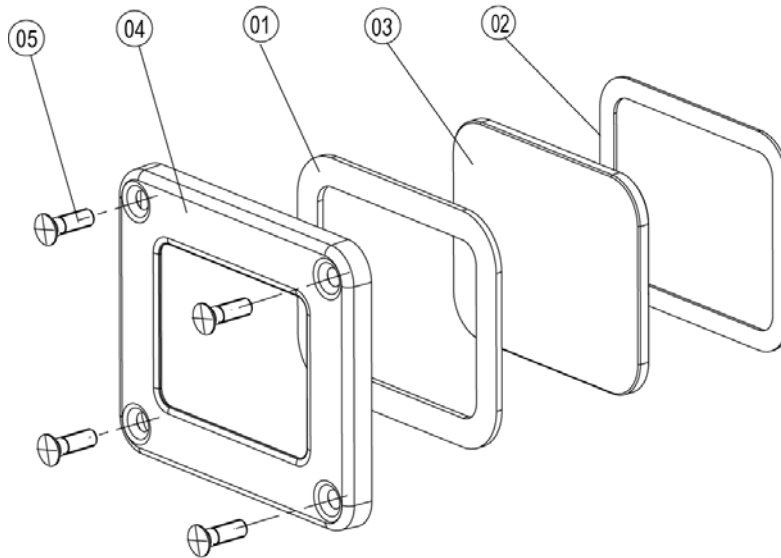
| Item no. | Part no | Reference | Description |
|----------|-----------|-----------|---------------------------------------|
| 1 | 2120.1306 | | Spacer SW19x17 |
| 2 | 22.00.123 | | Flange f. motor shaft gasket |
| 3 | 22.00.120 | | Mounting support f. gasket flange |
| 4 | 22.00.083 | | Motor shaft gasket |
| 5 | 1315.0101 | | Copper washer 6x10 |
| 6 | 1106.0220 | | Hex nut M6 flat |
| 7 | 22.00.192 | | Fan weel d340x135 |
| 8 | 10.00.565 | | Hex screw M8x20 |
| 8 | 1008.0763 | | Hex screw M8x20 |
| 11 | 40.00.274 | | Fan motor |
| 12 | 1108.0260 | | Hex nut M8 |
| 12 | 10.00.071 | | Hex nut M8 |
| 12 | 10.00.710 | | Hex nut M8 w. locking |
| 13 | 1208.0260 | | Spring washer B8 |
| 14 | 1008.1005 | | Square necked mushroom head bolt 8x40 |



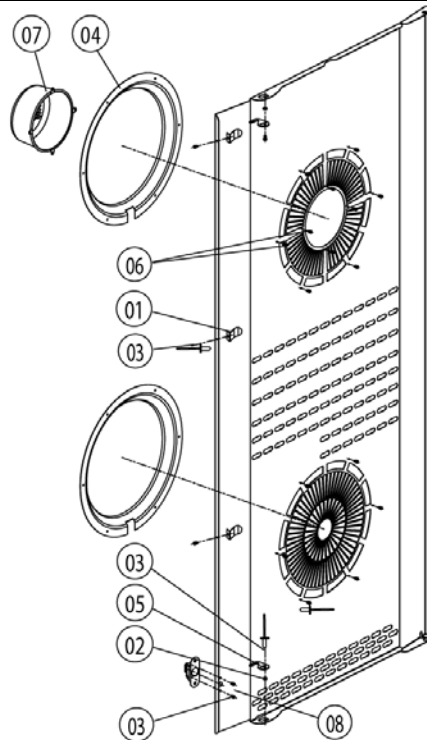
| Item no. | Part no | Reference | Description |
|----------|-----------|----------------------|---|
| A | | ►7.A | Interior cabinet |
| B | 40.00.091 | ►7.B | Gasket frame w. glass a. gaskets |
| C | 22.00.385 | ►7.C | Air baffle |
| C | | ►7.C | Air baffle f. Service |
| 3 | 3024.0201 | | Halogen bulb for interior cabinet 300°C |
| 4 | 40.00.224 | | Wiring interior light |
| 5 | 20.00.399 | | Door gasket |
| 6 | 40.02.101 | | Meat probe sensor |
| 6 | 40.01.942 | | Meat probe sensor |
| 6 | 40.00.295 | | Meat probe sensor |
| 7 | 1315.0104 | | Copper washer 16x20x1,5 |
| 8 | 10.00.422 | | Hex nut M16 |
| 9 | 3014.0162 | | Sealing cone for thermocouple |
| 10 | 3014.0163 | | Gasket sleeve with nipple |
| 11 | 22.00.222 | | Air baffle support |
| 11 | 22.00.429 | | Air baffle support |
| 12 | 40.01.099 | | Thermocouple interior cabinet (B1) |
| 13 | 2005.0308 | | Outlet sieve |
| 14 | 50.00.395 | | Nozzle f. moistening |
| 15 | 50.00.394 | | Union nut M12x12 |



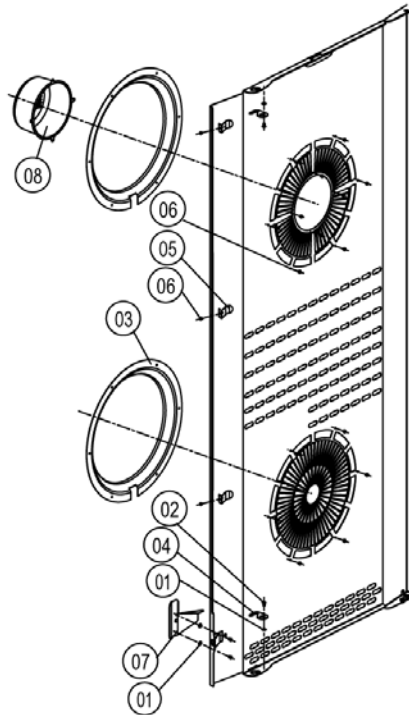
| Item no. | Part no | Reference | Description |
|----------|-----------|-----------|--|
| 1 | 40.00.399 | | Thermocouple humidity |
| 2 | 40.00.098 | | Reflector f. interior light |
| 3 | 4001.1248 | | Porcelain connector 2-pin interior light |
| 4 | 1330.0100 | | Clamp strap f. sensor |
| 5 | 1106.0224 | | Hex nut M6 self locking |
| 6 | 1306.0120 | | Washer A6,4 |
| 7 | 1104.0120 | | Hex nut M4 |
| 8 | 1204.0120 | | Tooth lock washer A4,3 |
| 9 | 2120.1277 | | Base for sensor connection |
| 10 | 1603.0167 | | Tubular rivet 3,2x0.25x10 |
| 11 | 10.00.041 | | Rivet nut M5 hexagon closed |



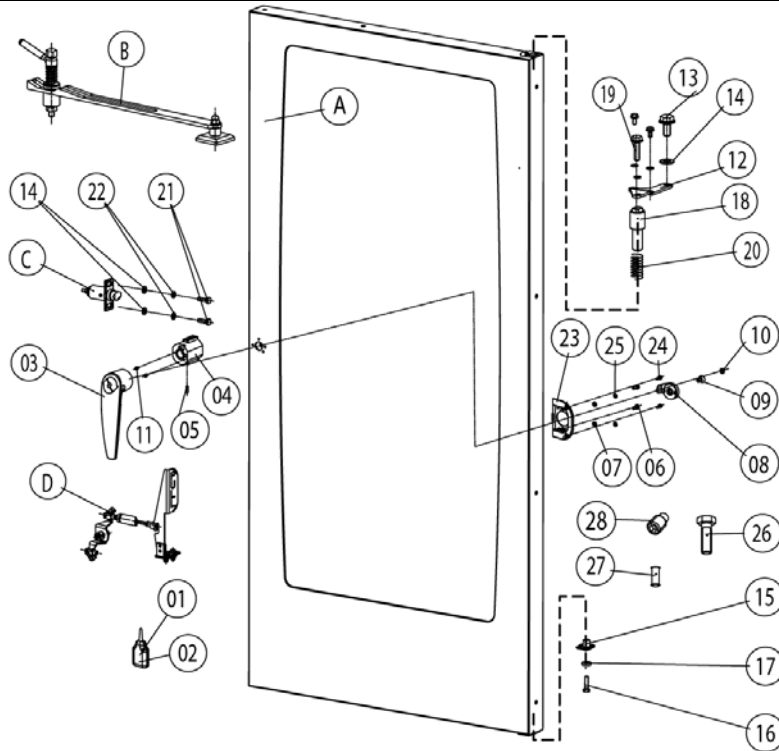
| Item no. | Part no | Reference | Description |
|----------|---------------------------|-----------|---------------------------------------|
| 1 | 40.00.093 | | Outer gasket f. interior light |
| 2 | 40.00.094 | | Inner gasket f. interior light |
| 3 | 40.00.095 | | Glass pane f. interior light |
| 4 | 40.00.096 | | Gasket frame f. interior light |
| 5 | 10.00.682 | | Phillips countersunk-head screw M5x16 |



| Item no. | Part no | Reference | Description |
|----------|---------------------------|-----------|--------------------------------|
| 1 | 40.01.289 | | Fixing clip core temp. cable |
| 2 | 1304.0160 | | Washer A4,3 |
| 3 | 1604.0167 | | Rivet 4x10 |
| 4 | 22.00.332 | | Air sucking ring f. air baffle |
| 5 | 2760.1370 | | Latch hook for air baffle |
| 6 | 10.00.515 | | Rivet 3,2x5 A4 |
| 6 | 1603.0168 | | Rivet 3,2x8 A4 |
| 7 | 22.00.361 | | Deep-draw f. air baffle |
| 8 | 22.00.440 | | Guard plate f. core sensor |



| Item no. | Part no | Reference | Description |
|----------|-----------|-----------|--------------------------------|
| 1 | 1304.0160 | | Washer A4,3 |
| 2 | 1604.0167 | | Rivet 4x10 |
| 3 | 22.00.332 | | Air sucking ring f. air baffle |
| 4 | 2760.1370 | | Latch hook for air baffle |
| 5 | 40.01.289 | | Fixing clip core temp. cable |
| 6 | 10.00.515 | | Rivet 3,2x5 A4 |
| 6 | 1603.0168 | | Rivet 3,2x8 A4 |
| 7 | 22.00.440 | | Guard plate f. core sensor |
| 8 | 22.00.361 | | Deep-draw f. air baffle |



| Item no. | Part no | Reference | Description |
|----------|-----------|----------------------|--|
| A | 24.00.126 | ▶8.A | Door |
| C | 8514.1307 | ▶8.C | Door catch |
| 1 | 2001.0042 | | Loctite 243 10 ml |
| 2 | 2001.0046 | | Loctite 272 |
| 3 | 24.00.136 | | Door handle |
| 4 | 8474.1410 | | Door lock |
| 5 | 1005.1901 | | Straight pin $\varnothing 5,6 \times 16$ |
| 6 | 1006.0761 | | Hex screw M6x12 |
| 6 | 10.00.698 | | Hex screw M6x12 w. precoat 85 |
| 7 | 1206.0261 | | Spring washer B6 |
| 8 | 2940.1305 | | Door bolt |
| 9 | 1008.1963 | | Hex socket countersunk head screw M8x16 |
| 10 | 2039.0309 | | Cover cap for door |
| 11 | 1004.0665 | | Allen screw M4x6 |
| 11 | 10.00.696 | | Allen screw M4x6 w. Precoat 85 |
| 12 | 24.00.133 | | Door mounting support top |
| 13 | 1008.0768 | | Ornamental screw M8x16 |
| 14 | 1308.0160 | | Washer A8,4 |
| 15 | 24.00.145 | | Door bolt |
| 16 | 1008.0766 | | Hex screw M8x30 |
| 17 | 1308.0162 | | Washer A8,4 |
| 18 | 24.00.048 | | Door bolt |
| 19 | 1008.0769 | | Ornamental screw M8x30 |
| 20 | 2001.0109 | | Compression spring |
| 21 | 1008.0761 | | Hex screw M8x25 |
| 22 | 1208.0260 | | Spring washer B8 |
| 23 | 24.00.216 | | Mounting bracket f. door lock |
| 24 | 1008.0752 | | Hex screw M5x10 |
| 24 | 10.00.697 | | Hex screw M5x10 w. precoat 85 |
| 25 | 1305.0160 | | Washer A5,3x10mm |



SCC 202G

Valid as of **G22SE0404** up to **G22SE....**

Gas unit

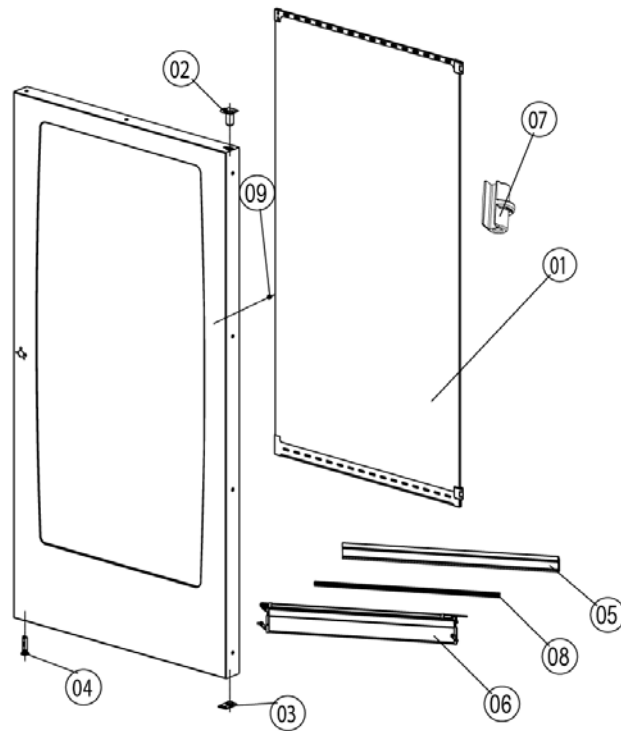
▶ **8 Door**

8

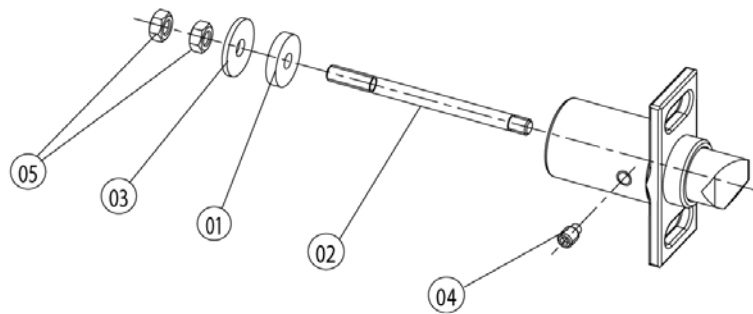
8 Door

Voltage **1 NAC 120V 60Hz**

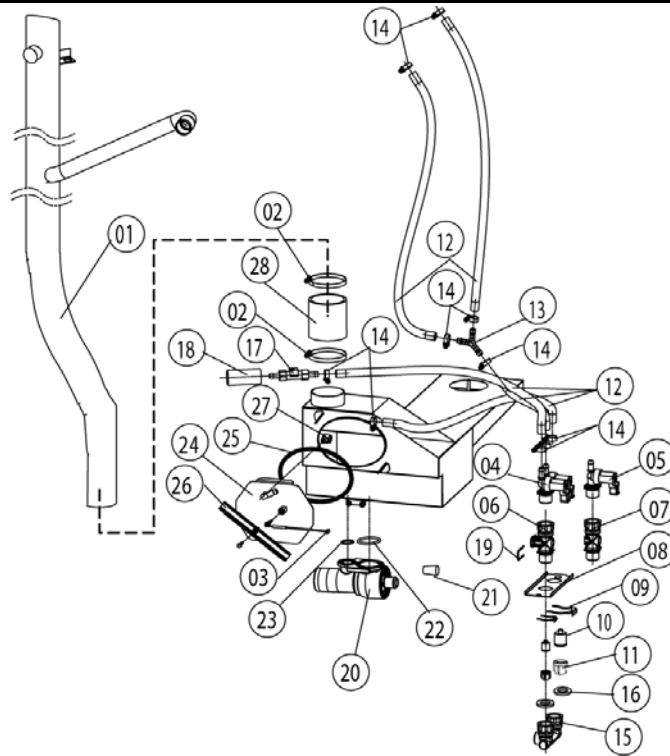
| Item no. | Part no | Reference | Description |
|----------|---------------------------|-----------|---------------------------|
| 26 | 10.00.099 | | Hex screw M8x12 |
| 27 | 1005.1903 | | Straight pin ø5,6x12 |
| 28 | 1004.0906 | | Hex socket set screw M4x8 |



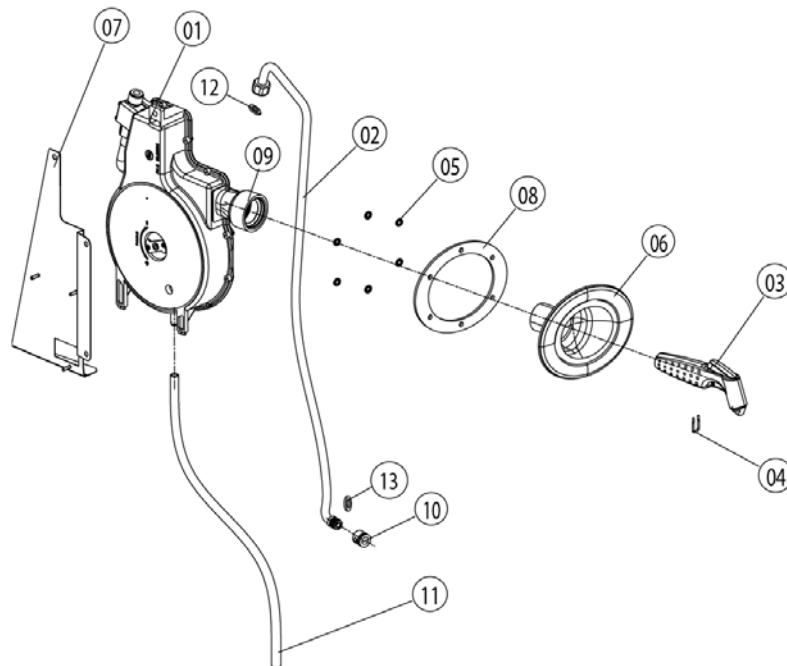
| Item no. | Part no | Reference | Description |
|----------|-----------|-----------|--|
| 1 | 24.00.212 | | Inner glass pane |
| 2 | 24.00.147 | | Sleeve for door bolt top |
| 3 | 24.00.159 | | Door setting bolt |
| 4 | 24.00.503 | | Fixing device f. magnet with magnet |
| 5 | 24.00.194 | | Gasket glass pane/trolley |
| 6 | 24.00.178 | | Pre heat mechanism f. door cpl. |
| 7 | 24.00.507 | | Fixing device middle f.inter. glass pane |
| 8 | 24.00.701 | | Additional gasket f. trolley |
| 9 | 24.01.259 | | Plastic buffer 8,1mm |



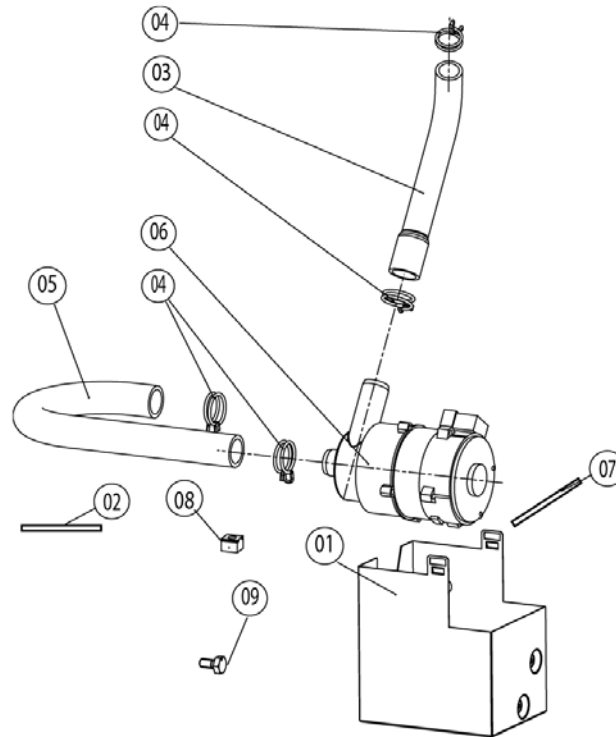
| Item no. | Part no | Reference | Description |
|----------|---------------------------|-----------|----------------------------------|
| 1 | 5012.0711 | | Silicone plate for door |
| 2 | 1006.1000 | | Stud bolt M6x75 |
| 3 | 1306.0550 | | Washer A6,6 |
| 4 | 1004.0904 | | Hex socket set screw M6x10 |
| 5 | 1106.0160 | | Hex nut M6 |
| 6 | 2001.0119 | | Compression spring f. door catch |
| 7 | 1006.0625 | | Allen screw M6x70 |



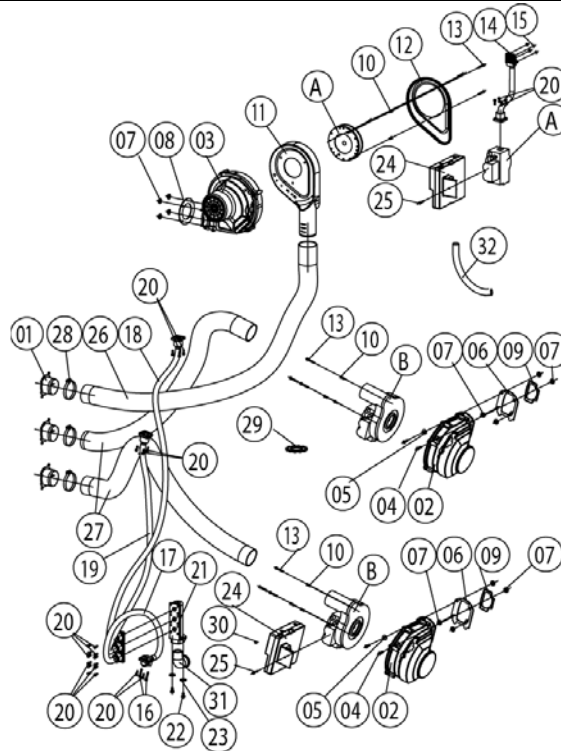
| Item no. | Part no | Reference | Description |
|----------|-----------|-----------|---|
| 1 | 54.00.210 | | Exhaust pipe |
| 2 | 2066.0516 | | Hose clamp 60-80 mm |
| 3 | 40.00.398 | | Thermocouple quenching |
| 4 | 50.00.138 | | Double solenoid valve |
| 5 | 50.00.139 | | Single solenoid valve |
| 6 | 50.00.072 | | Water distribution vert roll guide con. |
| 7 | 50.00.073 | | Water distribution vert w/o roll guide con. |
| 8 | 50.00.277 | | Mounting device f. water distribution |
| 9 | 50.00.086 | | Locking plate f. water distribution |
| 10 | 50.00.078 | | Non return valve DW16/DN12 |
| 11 | 1900.0202 | | Water filter |
| 12 | 2067.0050 | | Pressure hose d10mm |
| 13 | 2062.0303 | | Y-filting YS10 |
| 14 | 2066.0205 | | Hose clamp 8-16x9 mm SW 7mm |
| 15 | 8664.1301 | | T-fitting water connection |
| 16 | 5110.1024 | | Gasket for G3/4" threaded joint |
| 17 | 44.00.670 | | Water volume sensor with wire |
| 18 | 2112.1346 | | Protecting hose ø28x2x70mm |
| 19 | 50.00.085 | | Plug-in spring f. hand shower roll guide |
| 20 | 54.00.357 | | Ball valve drain SCC cpl. |
| 21 | 10.00.369 | | Plug cone shaped |
| 22 | 10.00.511 | | O-ring for ball valve drain 46x3.5 |
| 23 | 10.00.512 | | O-ring for ball valve drain 26x3.5 |
| 24 | 54.00.237 | | Inspection lid f. quenching chamber |
| 25 | 5012.0566 | | Gasket quenching chamber 0-ring |
| 26 | 54.00.225 | | Clamping bar |
| 27 | 2016.0943 | | Quenching nozzle |
| 28 | 2112.1307 | | Hose 70x5mm |



| Item no. | Part no | Reference | Description |
|----------|-----------|-----------|---|
| 1 | 50.00.176 | | Hand shower roll guide |
| 2 | 50.00.230 | | Connect. pipe f. hand shower roll guide |
| 3 | 50.00.130 | | Hand shower |
| 4 | 50.00.156 | | Clamp f. hand shower roll guide |
| 5 | 1107.0100 | | Star lock ø4 |
| 6 | 50.00.135 | | Tulip for handshower |
| 7 | 50.00.544 | | Mounting device f. hand sh. roll guide |
| 8 | 50.00.290 | | Gasket f. tulip |
| 9 | 50.00.297 | | Gasket f. tulip |
| 10 | 2069.0107 | | Non return valve DN6 steam generator |
| 11 | 50.00.548 | | Hose ø10x2x500 f. hand shower |
| 12 | 50.00.537 | | Gasket f. connect.pipe hand shower roll guide |
| 13 | 50.00.538 | | O-ring f. connect. pipe f. hand shower roll guide |



| Item no. | Part no | Reference | Description |
|----------|-----------|-----------|-----------------------------------|
| 1 | 12.00.245 | | Housing f. Cleaning pump |
| 2 | 10.00.091 | | Rubber profile f. edge protection |
| 3 | 56.00.175 | | Pressure hose f. cleaning |
| 4 | 2066.0521 | | Hose clamp 27mm |
| 5 | 56.00.176 | | Suction hose f. cleaning |
| 6 | 56.00.178 | | Pump f. cleaning UP30 |
| 7 | 12.00.280 | | Fixing device pump housing |
| 8 | 1106.0802 | | Cage nut M6 |
| 9 | 1006.0760 | | Hex screw M6x16 |



| Item no. | Part no | Reference | Description |
|----------|-----------|-----------------------|-----------------------------------|
| A | 70.00.068 | ►12.A | Gas valve cpl. ND 055 RG148 |
| B | 70.00.029 | ►12.B | Gas valve cpl. WND 055 RG130 |
| 1 | 70.00.222 | | Air hose fixing device 50mm |
| 2 | 70.00.028 | | Blower for burner RG130 |
| 3 | 70.00.067 | | Blower for burner RG148 |
| 4 | 1008.0750 | | Hex screw M5x16 |
| 5 | 1305.0160 | | Washer A5,3x10mm |
| 6 | 74.00.310 | | Flange f. burner blower RG130 |
| 7 | 1105.0122 | | Hex combination nut M5 V2A |
| 8 | 70.00.242 | | Gasket f. steam gen blower RG148 |
| 9 | 74.00.301 | | Gasket f. blower burner |
| 10 | 10.00.065 | | Countersunk screw Torx T20 M4x12 |
| 11 | 70.00.239 | | Premix chamber gas f. RG148 |
| 12 | 70.00.238 | | Premix chamber cover gas f. RG148 |
| 13 | 10.00.063 | | Pan head screw Torx T20 M4x25 |
| 14 | 70.00.246 | | Pipe gas valve-premix chamber |
| 15 | 1104.0121 | | Hex nut M4 self locking |
| 16 | 10.00.064 | | Pan head screw Torx T20 M4x30 |
| 17 | 70.00.152 | | Corrugated hose 160mm |
| 18 | 70.00.149 | | Corrugated hose 1100mm |
| 19 | 70.00.196 | | Corrugated hose 780mm |
| 20 | 10.00.061 | | Pan head screw Torx T20 M4x12 |
| 21 | 74.00.309 | | Gas connection manifold 3x3/4" |
| 22 | 1006.0762 | | Hex screw M6x10 |
| 23 | 1306.0222 | | Washer A6,4x15x1,5 |
| 24 | 74.00.221 | | Automatic ignition controller |
| 25 | 10.00.062 | | Pan head screw Torx T20 M4x20 |
| 26 | 70.00.147 | | Air hose D50x1550mm |
| 27 | 70.00.135 | | Air hose D50x1100mm |
| 28 | 2066.0504 | | Hose clamp 40-60mm |



SCC 202G

Valid as of **G22SE0404** up to **G22SE....**

Gas unit

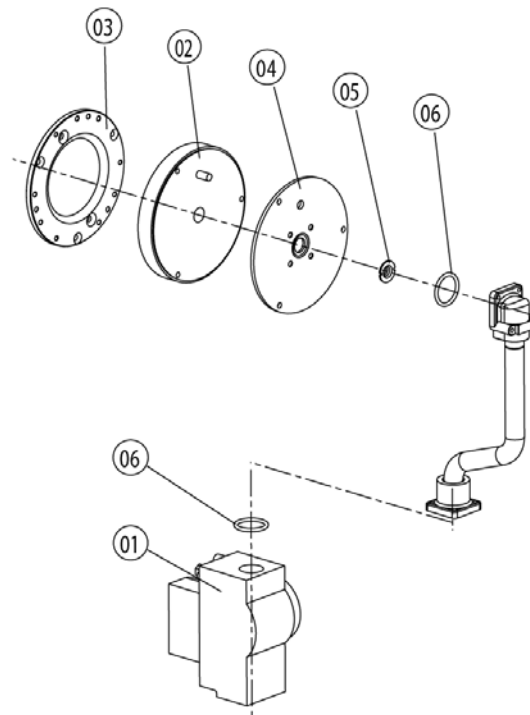
▶ **12 Gas parts**

12

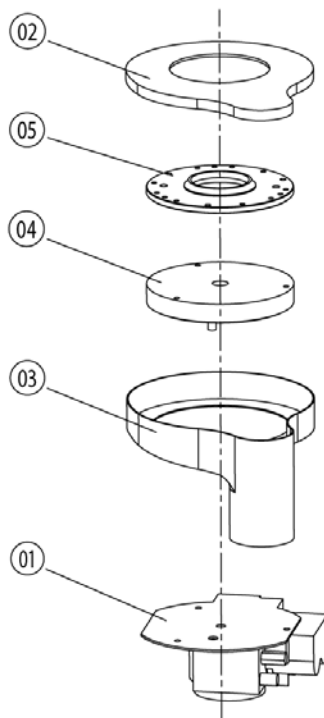
12 Gas parts

Voltage **1 NAC 120V 60Hz**

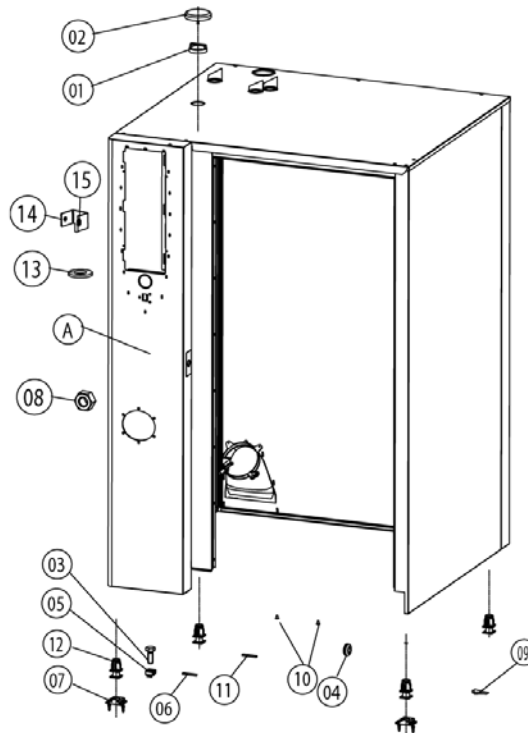
| Item no. | Part no | Reference | Description |
|----------|---------------------------|-----------|------------------------|
| 29 | 1204.0120 | | Tooth lock washer A4,3 |
| 30 | 40.01.581 | | Jumper |
| 31 | 70.00.188 | | Hose fitting 3/4"-3/4" |
| 32 | 70.00.280 | | Silicone hose ø4x1,5 |



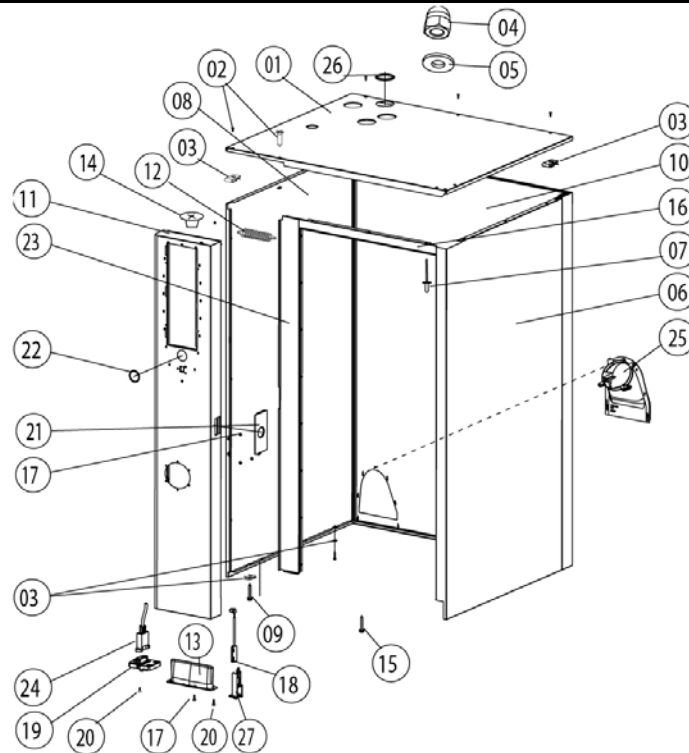
| Item no. | Part no | Reference | Description |
|----------|-----------|-----------|----------------------------------|
| 1 | 70.00.220 | | Gas valve GB 055 ND (straight) |
| 2 | 70.00.106 | | Premix disc gas |
| 3 | 70.00.208 | | Disc premix chamber-blower RG148 |
| 4 | 70.00.108 | | Disc gas valve-premix chamber |
| 5 | 70.00.260 | | Gas nozzle 7mm |
| 6 | 70.00.261 | | O-ring 17x1.5 |



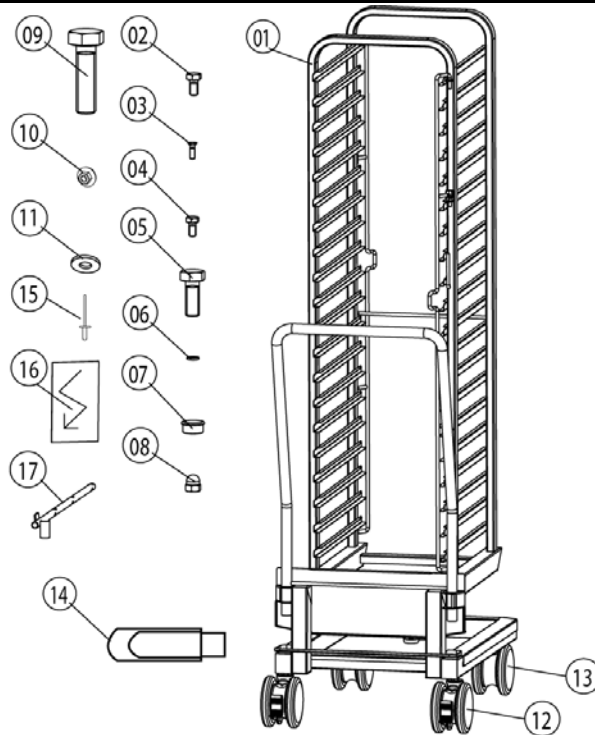
| Item no. | Part no | Reference | Description |
|----------|---------------------------|-----------|-----------------------------------|
| 1 | 70.00.031 | | Gas valve GB 055 WND (lateral) |
| 2 | 70.00.255 | | Premix chamber cover gas f. RG130 |
| 3 | 70.00.030 | | Premix chamber gas f. RG130 |
| 4 | 70.00.106 | | Premix disc gas |
| 5 | 70.00.256 | | Disc premix chamber-blower RG130 |



| Item no. | Part no | Reference | Description |
|----------|---------------------------|-----------------------|-----------------------------------|
| A | | ►13.A | Exterior cabinet |
| 1 | 22.00.354 | | Spacer ring |
| 1 | 8450.1310 | | Spacer ring |
| 2 | 22.00.353 | | Vent cover |
| 2 | 8455.1209 | | Vent cover |
| 3 | 1006.0760 | | Hex screw M6x16 |
| 4 | 2022.0101 | | Grommet 18 mm |
| 5 | 1106.0802 | | Cage nut M6 |
| 6 | 10.00.091 | | Rubber profile f. edge protection |
| 7 | 8700.0317 | | Floor fixing for units |
| 9 | 5006.0213 | | Glue for floor fixing brackets |
| 11 | 5013.0100 | | Edge protection profile |
| 12 | 2039.0111 | | Foot adjustable, metal, 40 x 40 |



| Item no. | Part no | Reference | Description |
|----------|-----------|-----------|---------------------------------------|
| 1 | 16.00.333 | | Top cover |
| 2 | 1003.2265 | | Countersunk self tapping screw 4,2x16 |
| 3 | 1104.0820 | | Snap nut 4,2mm |
| 4 | 1105.0260 | | Cap nut M5, high shape |
| 5 | 1305.0160 | | Washer A5,3x10mm |
| 6 | 16.00.158 | | Side panel right |
| 7 | 1603.0166 | | Rivet 3,2x7,9 CNS closed |
| 8 | 16.00.139 | | Side panel left |
| 9 | 10.00.102 | | Hex self tapping screw B4,2x32 |
| 10 | 16.00.383 | | Back panel |
| 11 | 16.00.296 | | Front panel |
| 12 | 2002.0107 | | Tension spring for front panel |
| 13 | 16.00.673 | | Air inlet filter |
| 14 | 2039.0331 | | Cap for service door |
| 15 | 1004.2160 | | Hex self tapping screw 4,2x16 |
| 16 | 16.00.331 | | Crossbar top |
| 17 | 10.00.103 | | EJOT PT-screw KA 3.5x10 |
| 18 | 40.00.335 | | Door switch |
| 19 | 16.00.329 | | Cover f. USB interface |
| 20 | 10.00.460 | | EJOT PT-Screw Torx 3,5x14 |
| 21 | 16.00.115 | | Rosette |
| 22 | 16.00.338 | | Edge protection profile |
| 23 | 16.00.358 | | Crossbar front panel |
| 24 | 40.00.470 | | Interface cable USB 1.5m |
| 25 | 40.00.476 | | Exhaust channel |
| 26 | 5105.1028 | | Gasket f. breather tube d=74mm |
| 27 | 16.00.384 | | Bracket for door contact switch |



| Item no. | Part no | Reference | Description |
|----------|-----------|-----------|---------------------------------------|
| 1 | 60.22.086 | | Mobile oven rack for type 202, |
| 2 | 1008.0760 | | Hex screw M8x16 |
| 3 | 10.00.448 | | Phillips countersunk-head screw M5x16 |
| 4 | 1004.0666 | | Hex screw M4x10 |
| 5 | 10.00.565 | | Hex screw M8x20 |
| 6 | 1208.0160 | | Tooth lock washer A8,4 |
| 7 | 10.00.357 | | Rubber plug black |
| 8 | 1106.0360 | | Cap nut M6, high shape |
| 12 | 60.60.100 | | Castor with brake ø125mm |
| 13 | 60.60.101 | | Castor without brake ø125mm |
| 14 | 42.00.029 | | USB-Memory-Stick |
| 15 | 1603.0162 | | Rivet 3,2x9 |
| 16 | 4019.0008 | | Sticker Electric/Danger |
| 17 | 60.60.574 | | Positioning support f. core sensor |