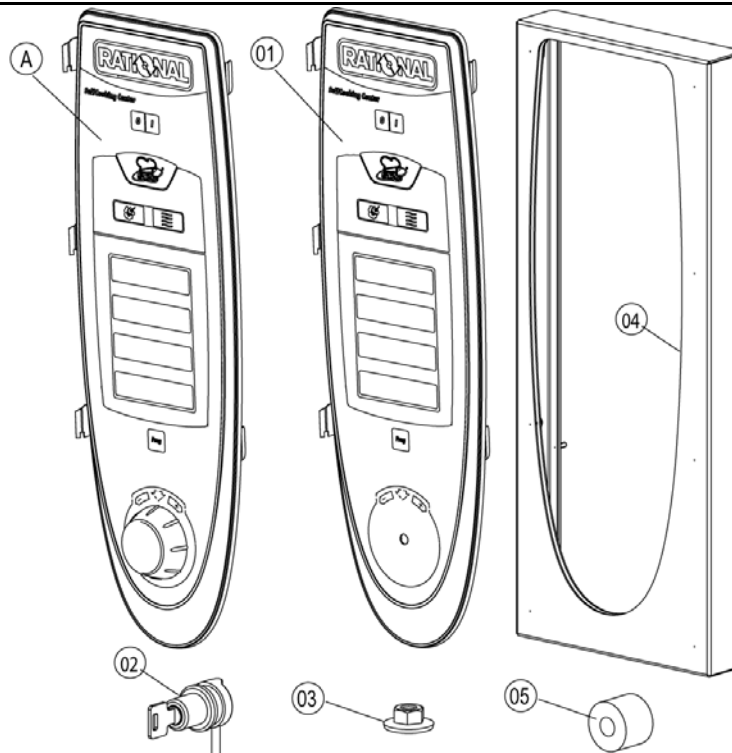


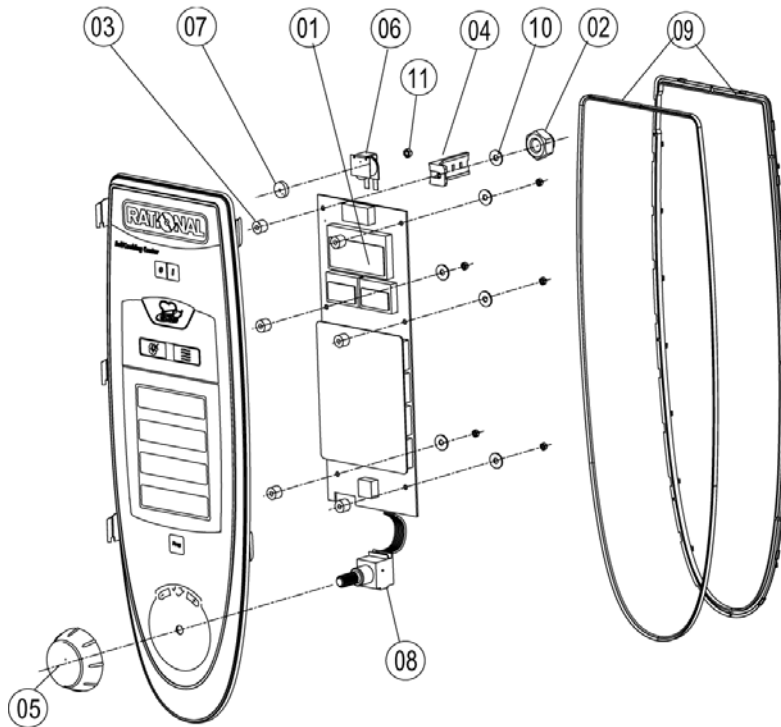
Item no.	Part no	Reference	Description
1		<a href="#">►1</a>	Control panel
2		<a href="#">►2</a>	Electrical installation
3		<a href="#">►3</a>	Clima Plus
4		<a href="#">►4</a>	Steam generator, Bypass
5		<a href="#">►5</a>	Hot air heating
6		<a href="#">►6</a>	Motor and fan wheel
7		<a href="#">►7</a>	Interior cabinet
8		<a href="#">►8</a>	Door
9		<a href="#">►9</a>	Water supply, quenching box
10		<a href="#">►10</a>	Hand shower
11		<a href="#">►11</a>	CleanJet
12		<a href="#">►12</a>	Gas parts
13		<a href="#">►13</a>	Exterior cabinet
14		<a href="#">►14</a>	Miscellaneous

---

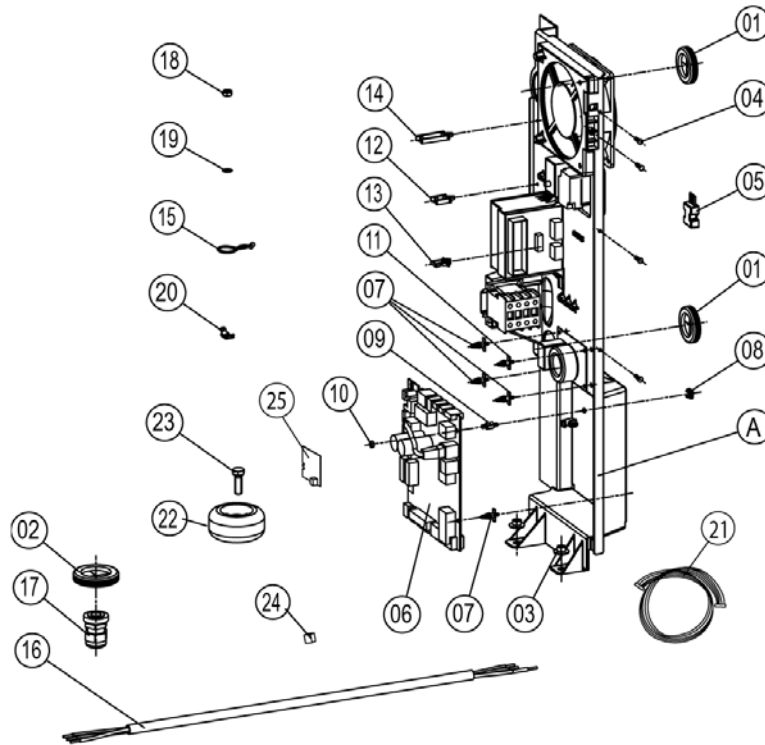
1	Control panel .....	3
1.A	Control panel.....	4
2	Electrical installation .....	5
2.A	Contactor assembly .....	6
3	Clima Plus.....	8
3.A	Hose set f. humidity control .....	9
4	Steam generator, Bypass .....	10
4.A	Pump connection spout cpl. ....	12
4.B	Venting valve for steam generator .....	13
5	Hot air heating .....	14
5.A	Burner hot air .....	15
6	Motor and fan wheel .....	16
7	Interior cabinet .....	17
7.A	Interior cabinet .....	18
7.B	Gasket frame w. glass a. gaskets .....	19
7.C	Air baffle .....	20
7.C	Air baffle.....	21
8	Door .....	22
8.A	Door .....	23
9	Water supply, quenching box.....	24
10	Hand shower.....	25
11	CleanJet.....	26
12	Gas parts .....	27
12.A	Gas valve cpl. ND 055 RG130 .....	28
12.B	Gas valve cpl. WND 055 RG130.....	29
13	Exterior cabinet.....	30
13.A	Exterior cabinet .....	31
14	Miscellaneous .....	32



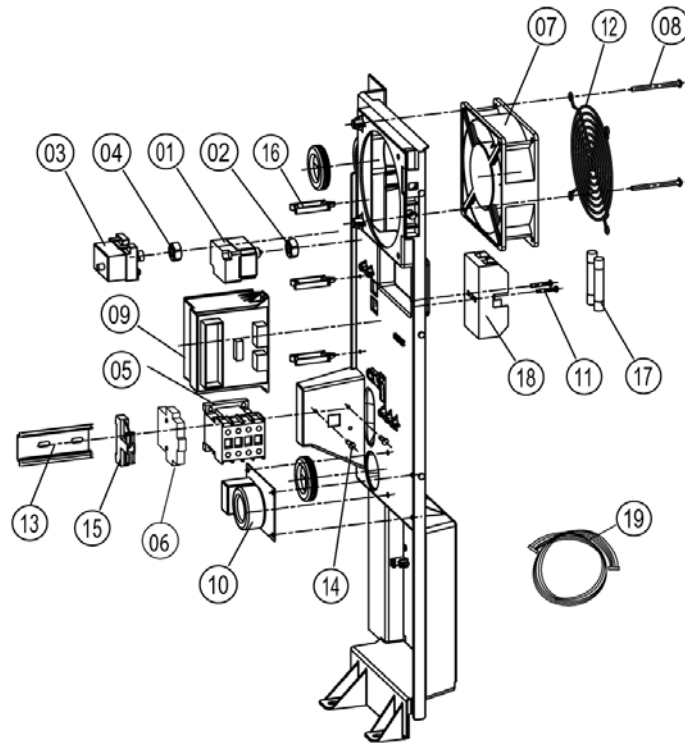
Item no.	Part no	Reference	Description
A		<a href="#">►1.A</a>	Control panel
1	87.00.002		Control panel insert with overlay



Item no.	Part no	Reference	Description
1	42.00.002		Control pcb
2	1104.0121		Hex nut M4 self locking
3	10.00.355		Spacer black
4	2020.0400		Fixing device for cable harness
5	16.00.232		Dial f. pulse generator
6	40.02.087		Buzzer
6	3006.0107		Buzzer
7	5110.1029		Gasket mode switch
7	5110.1028		Gasket poti hot air, core temperature
8	40.00.404		Pulse generator
9	16.00.387		Mounting device f.sealing + sealing lip
10	1306.0218		Washer A4,3
11	1103.0122		Hex nut M3 self-locking



Item no.	Part no	Reference	Description
A		<a href="#">►2.A</a>	Contacteur assembly
1	4007.0620		Membrane DGC 29
2	4007.0621		Membrane DGC 36
3	1106.0803		Hex combination nut M6 galv
4	10.00.239		EJOT PT-Screw Torx 4x10
5	42.00.007		External memory
6	40.00.049		Relay-I/O pcb
6	42.00.045		Relay-I/O pcb w/o Sicotronic
7	40.00.417		Fixing clip f. pcb
8	1104.0801		Cage nut M4
9	10.00.243		Spacer M4x8
10	1104.0120		Hex nut M4
11	40.01.579		Fixing clip f. pcb
12	10.00.112		Cable clip short
13	10.00.421		Cable clip
14	10.00.111		Cable clip long
15	10.00.471		Cable clip d10-12mm
16	40.01.597		Power supply cable 3xAWG14
17	40.00.320		Cable connection M20x1.5
18	1106.0160		Hex nut M6
19	1206.0120		Tooth lock washer A6,4
20	4002.0110		Cable connector, junction
21	40.01.091		Bus cable 0.4m
21	40.00.471		Bus cable 0.8m
22	40.00.279		Control transformer
23	1008.0761		Hex screw M8x25
24	40.01.600		Insulating screw joint 2pol.



Item no.	Part no	Reference	Description
1	3014.0328		Dry up protector 275°F/135°C
2	3014.0302		Hex nut M10 for dry-up protector
3	40.01.482		Safety temperature limiter 365°C
4	3014.0327		Hex nut M10x1,0
5	40.00.451		Contactor MC1A 310 AH6
7	3101.1008		Cooling fan
8	10.00.238		Screw Torx 4x50
9	40.00.277		Control transformer
10	40.01.483		Electronic noise filter
11	10.00.240		Screw Torx 3x20
12	2005.0106		Protective grid for cooling fan
13	40.00.519		Installation rail for Contactor 75mm
14	10.00.239		EJOT PT-Screw Torx 4x10
15	4001.1203		End plate for mounting rail
16	10.00.111		Cable clip long
17	40.01.588		Fuse SC-8A 10x38
18	40.01.487		Fuse holder 2pol
19	40.01.484		Cable burner blower
19	40.00.209		Cable buzzer
19	40.00.202		Cable CDS sensor
19	40.01.299		Cable control harness
19	40.00.213		Cable control transformer sec.
19	40.00.207		Cable differential pressure switch
19	40.00.230		Cable gas valve
19	40.00.248		Cable harness isolating transformer
19	40.00.208		Cable humidity control
19	40.00.205		Cable level electrode
19	40.00.247		Cable SC pump
19	40.00.203		Cable solenoid valve
19	40.00.231		Cable transformer for cooling fan sec.



# SCC 61G

Valid as of **G61SE0404** up to **G61SE....**

Gas unit

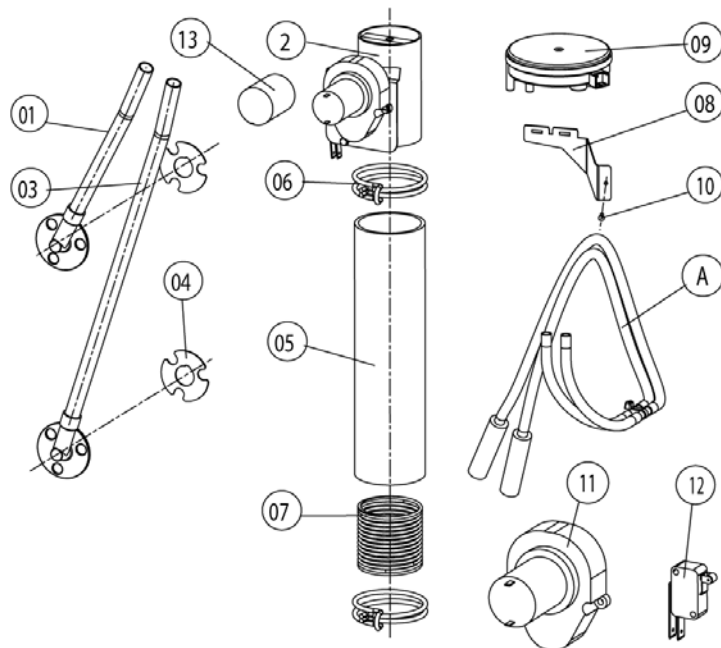
## ▶ 2.A Contactor assembly

**2**

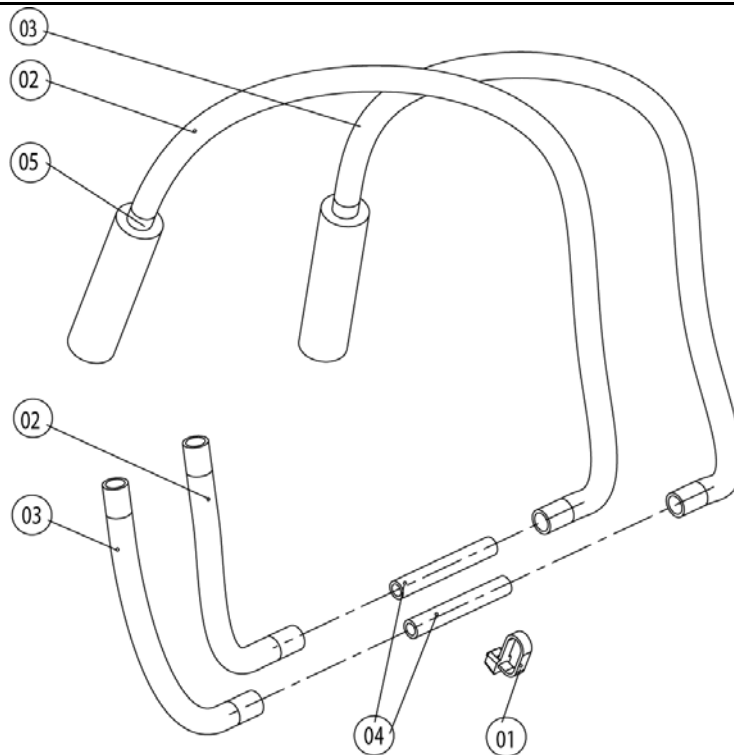
2 Electrical installation

Voltage **1 NAC 120V 60Hz**

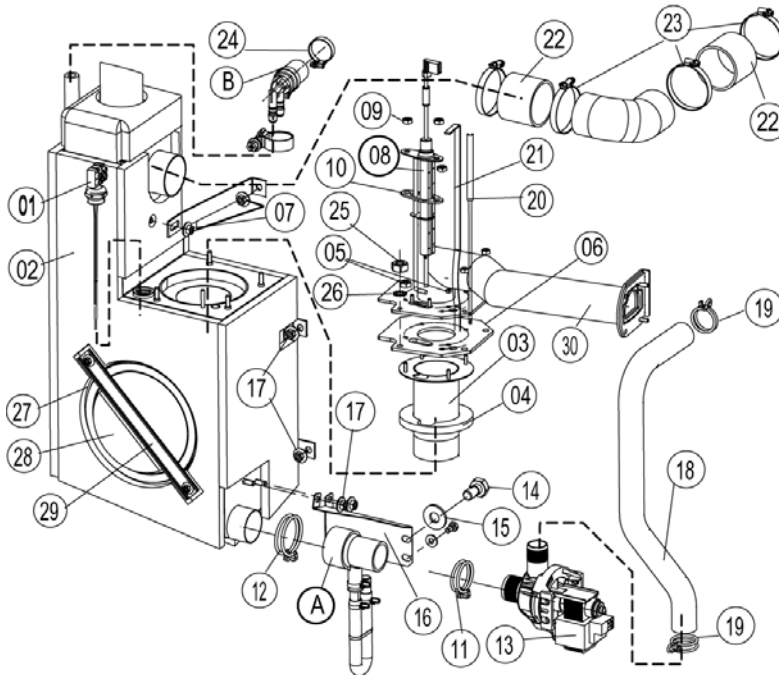
Item no.	Part no	Reference	Description
19	<a href="#">40.00.237</a>		Ground wire



Item no.	Part no	Reference	Description
A	22.00.234	<a href="#">▶3.A</a>	Hose set f. humidity control
1	22.00.199		Inner humidity meas. Piece
2	22.00.318		Humidity control cpl. with motor
3	22.00.200		Outer humidity meas. Piece
4	22.00.198		Gasket f. hum. meas. Pipe
5	22.00.174		Hose d50x83
6	2066.0531		Hose clamp ø56
8	22.00.326		Mounting device f. pressure sensor
9	3017.1011		Pressure sensor for humidity control Huba 401
10	10.00.239		EJOT PT-Screw Torx 4x10
11	3101.1010		Humidity control motor
12	3016.0102		Micro switch
13	3101.1021		Protecting cap f.12VDC humidity motor



Item no.	Part no	Reference	Description
1	<a href="#">4005.0101</a>		Tie rap 145 mm
2	<a href="#">2110.1020</a>		Silicon hose $\varnothing 5 \times 1.5$ blue
3	<a href="#">2110.1019</a>		Silicone hose $\varnothing 5 \times 1,5$ "red"
4	<a href="#">1900.0203</a>		Ceramic tube 8x5x60mm for
5	<a href="#">2112.1338</a>		Silicone hose $\varnothing 8 \times 2 \times 20$



Item no.	Part no	Reference	Description
A	8354.1320	<a href="#">►4.A</a>	Pump connection spout cpl.
B	8354.1304	<a href="#">►4.B</a>	Venting valve for steam generator
1	44.00.253		Filling level electrode 85mm
2	44.00.182		Steam generator insolated
3	72.00.003		Burner steam gen.
4	72.00.048		Insulation f. burner steam gen.
5	1104.0122		Hex combination nut M4 galv
6	72.00.020		Gasket f. burner carrier
7	1105.0121		Hex combination nut M5 galv
8	44.00.251		Ignition electrode steam generator
9	1104.0120		Hex nut M4
10	44.00.250		Gasket f. ignition electrode
11	2066.0519		Hose clamp 35,6mm
12	2066.0526		Hose clamp ø46mm
13	44.00.207		Emptying pump
14	1006.0762		Hex screw M6x10
15	1306.0222		Washer A6,4x15x1,5
16	44.00.226		Fixing device f. pump steam generator
17	1106.0803		Hex combination nut M6 galv
18	44.00.234		Drain hose steam generator
19	2066.0518		Hose clamp 30mm
20	40.01.094		Thermocouple steam gen. (B5)
20	40.00.291		Thermocouple steam generator
21	44.00.516		Fixing plate steam generator thermostat
22	2112.1006		Steam hose 50x7mm
23	2066.0504		Hose clamp 40-60mm
24	2066.0506		Hose clamp 20-32mm
25	1105.0120		Hex nut M5
26	1205.0120		Tooth lock washer A5,3
27	5012.0566		Gasket quenching chamber 0-ring



## SCC 61G

Valid as of **G61SE0404** up to **G61SE....**

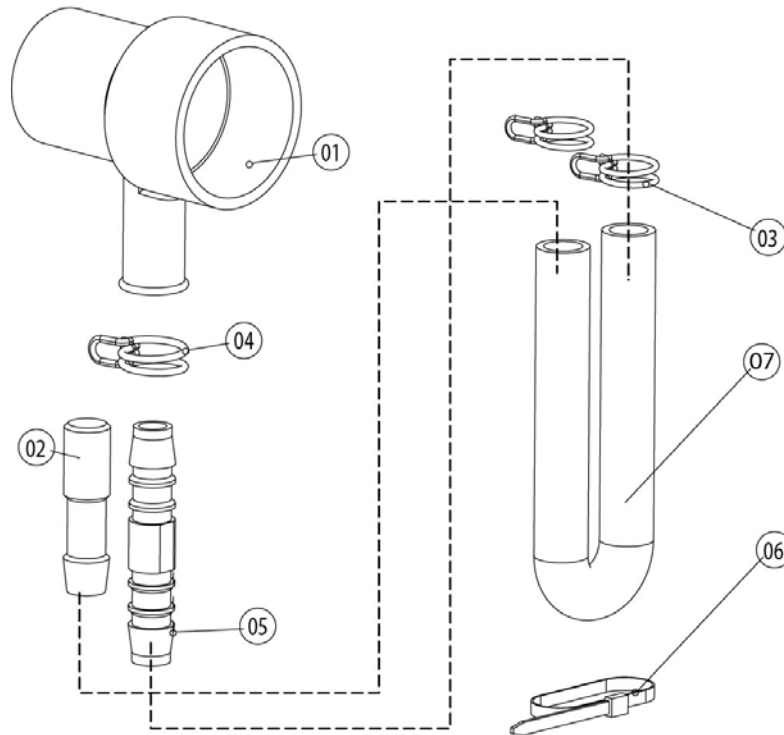
Gas unit

### ▶ 4 Steam generator, Bypass

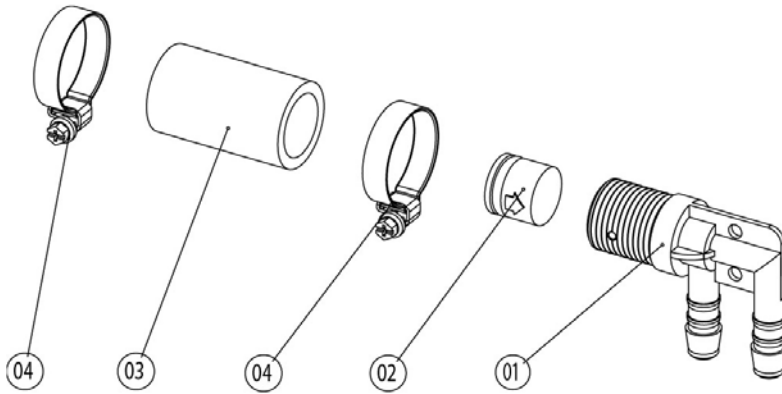
4

4 Steam generator, Bypass Voltage 1 NAC 120V 60Hz

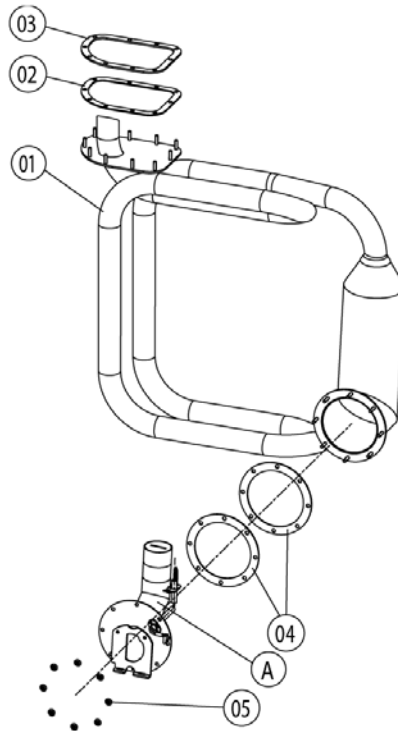
Item no.	Part no	Reference	Description
28	<a href="#">44.00.263</a>		Panel for revision hole steam generator
29	<a href="#">44.00.264</a>		Clamping bar for panel revision hole
30	<a href="#">70.00.039</a>		Burner pipe



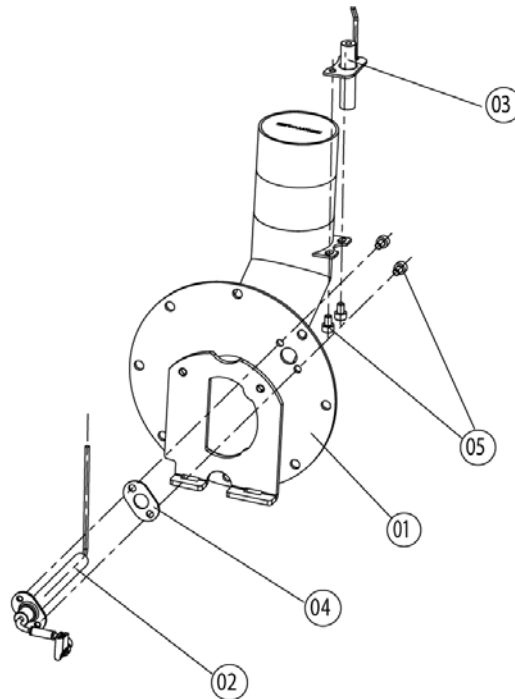
Item no.	Part no	Reference	Description
1	2118.1000		Pump connection spout
2	2120.1259		Stop plug 10mm
3	2066.0527		Hose clamp ø14mm
4	2066.0530		Hose clamp ø16.4mm
5	2062.0331		Junction pressure hose GS 10
6	4005.0101		Tie rap 145 mm



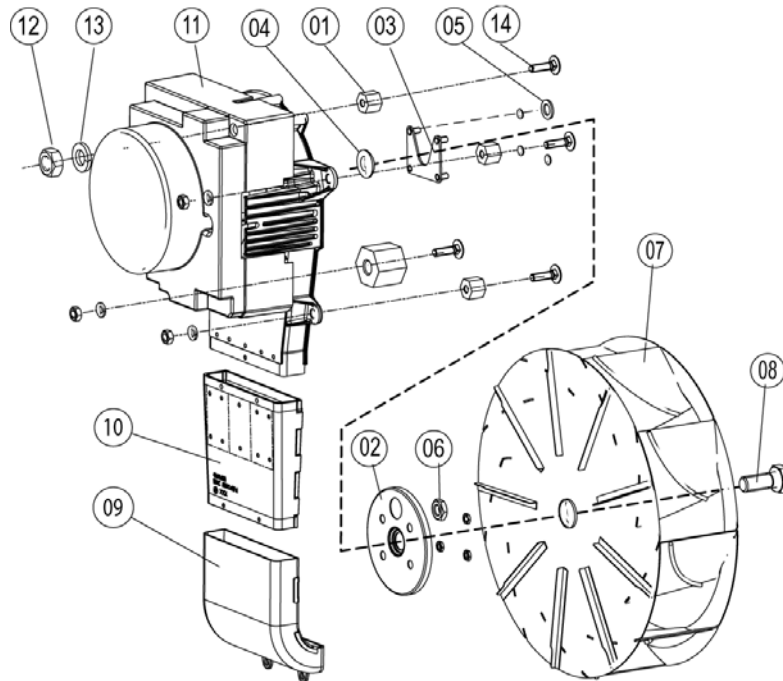
Item no.	Part no	Reference	Description
1	2062.0332		Receptacle for ventilation valve SG
2	<a href="#">2069.0108</a>		Ventilation valve
3	<a href="#">2112.1310</a>		Form hose for ventilation of steam generator
4	<a href="#">2066.0506</a>		Hose clamp 20-32mm



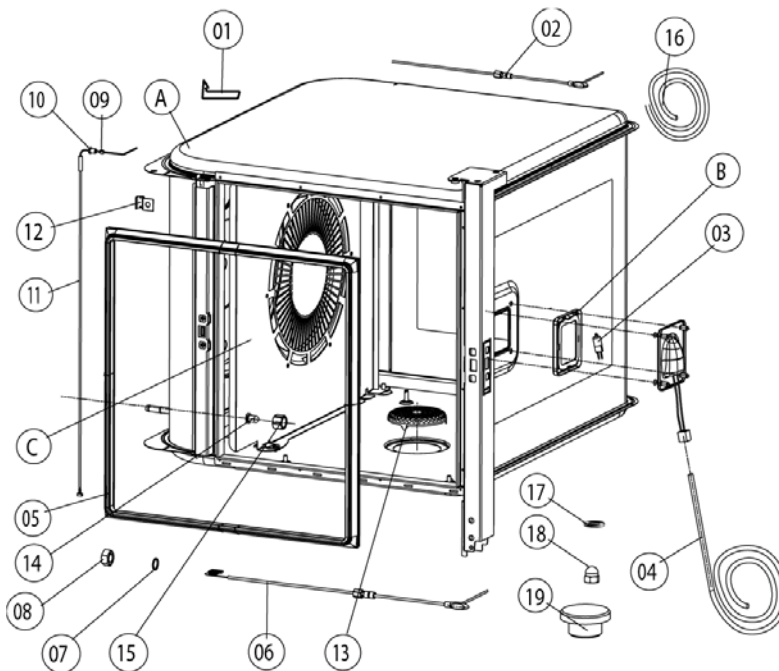
Item no.	Part no	Reference	Description
A	74.00.276	<a href="#">►5.A</a>	Burner hot air
1	<a href="#">74.00.134</a>		Hot air heat exchanger
2	<a href="#">74.00.234</a>		Gasket hot air heat exchanger/interior cabinet
3	<a href="#">74.00.313</a>		Mating flange heat exchanger
4	<a href="#">74.00.296</a>		Gasket f. heat exchanger below
5	<a href="#">1105.0122</a>		Hex combination nut M5 V2A



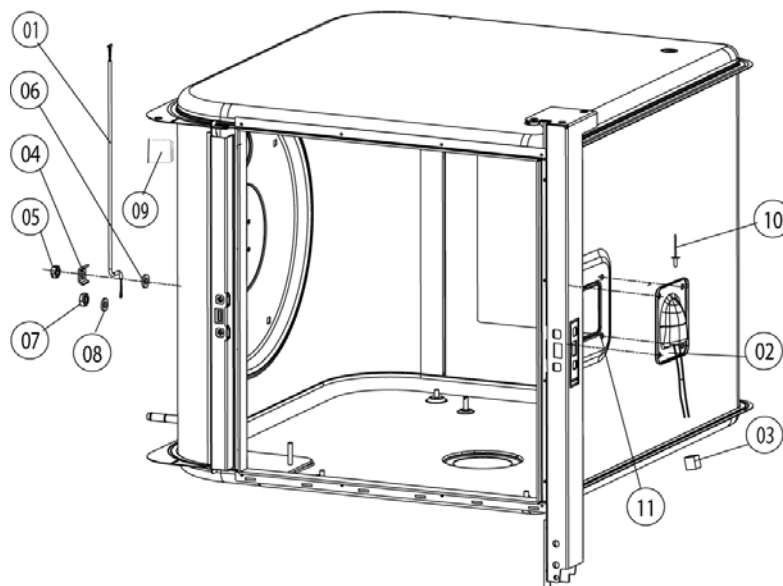
Item no.	Part no	Reference	Description
1	74.00.340		Burner welded hot air
2	74.00.230		Ignitionelectrode1 f. hot air
3	74.00.235		Ignitionelectrode2 f. hot air
4	74.00.290		Gasket electrode hot air
5	10.00.696		Allen screw M4x6 w. Precoat 85
5	10.00.060		Pan head screw Torx M4x6



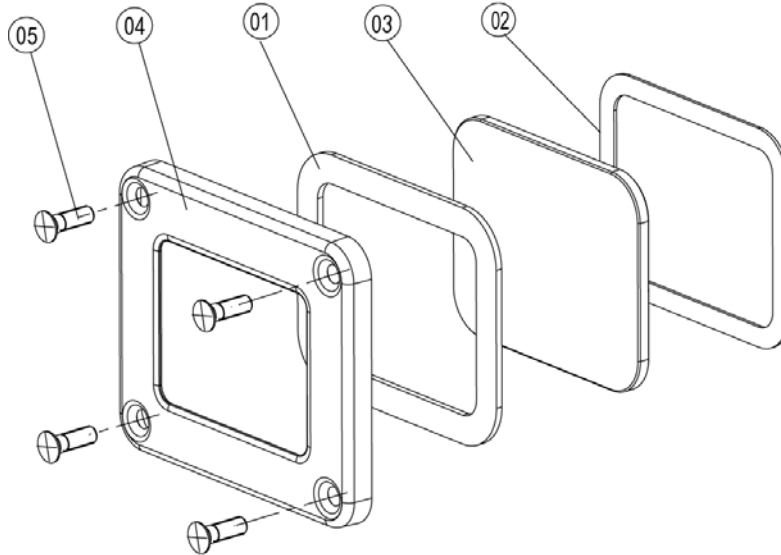
Item no.	Part no	Reference	Description
1	2120.1306		Spacer SW19x17
2	22.00.123		Flange f. motor shaft gasket
3	22.00.120		Mounting support f. gasket flange
4	22.00.083		Motor shaft gasket
5	1315.0101		Copper washer 6x10
6	1106.0220		Hex nut M6 flat
7	22.00.188		Fan wheel d340x110
8	1008.0763		Hex screw M8x20
8	10.00.565		Hex screw M8x20
9	40.00.310		Exhaust pipe below
11	40.00.274		Fan motor
12	10.00.071		Hex nut M8
12	1108.0260		Hex nut M8
12	10.00.710		Hex nut M8 w. locking
13	1208.0260		Spring washer B8
14	1008.1005		Square necked mushroom head bolt 8x40



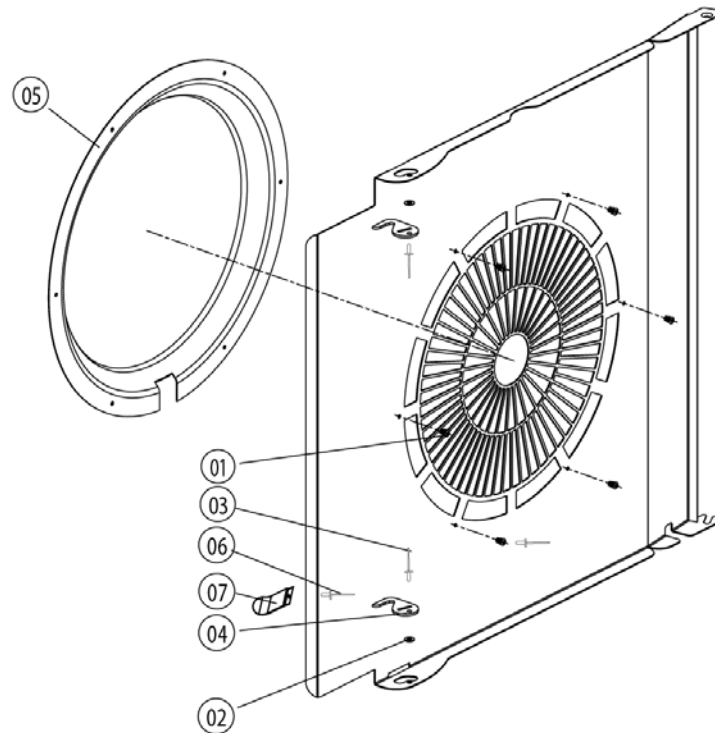
Item no.	Part no	Reference	Description
A		<a href="#">►7.A</a>	Interior cabinet
B	40.00.091	<a href="#">►7.B</a>	Gasket frame w. glass a. gaskets
C	22.00.293	<a href="#">►7.C</a>	Air baffle
C	22.00.379	<a href="#">►7.C</a>	Air baffle
3	3024.0201		Halogen bulb for interior cabinet 300°C
4	40.00.211		Wiring interior light
5	20.00.394		Door gasket
6	40.00.293		Meat probe sensor
7	1315.0104		Copper washer 16x20x1,5
8	10.00.422		Hex nut M16
9	3014.0162		Sealing cone for thermocouple
10	3014.0163		Gasket sleeve with nipple
11	40.01.097		Thermocouple interior cabinet (B1)
12	2760.1089		Guide bush for core temperatur sensor
13	2005.0308		Outlet sieve
14	50.00.395		Nozzle f. moistening
15	50.00.394		Union nut M12x12



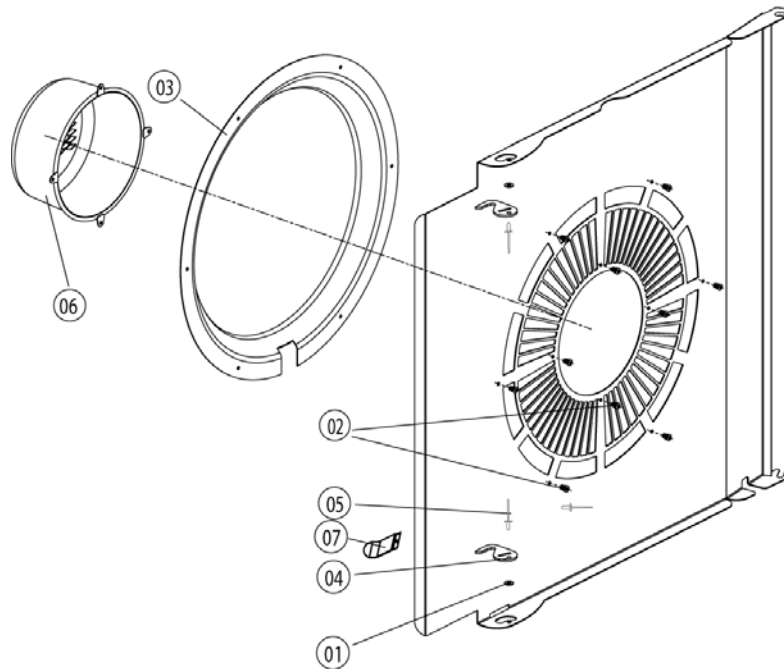
Item no.	Part no	Reference	Description
1	40.00.290		Thermocouple humidity
2	40.00.098		Reflector f. interior light
3	4001.1248		Porcelain connector 2-pin interior light
4	1330.0100		Clamp strap f. sensor
5	1106.0224		Hex nut M6 self locking
6	1306.0120		Washer A6,4
7	1104.0120		Hex nut M4
8	1204.0120		Tooth lock washer A4,3
9	2120.1277		Base for sensor connection
10	1603.0167		Tubular rivet 3,2x0.25x10
11	10.00.041		Rivet nut M5 hexagon closed



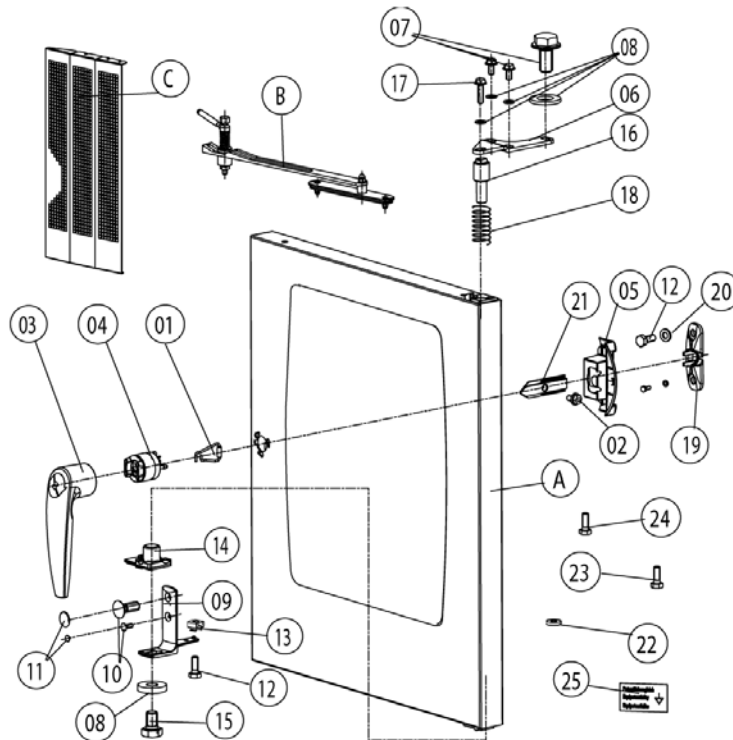
Item no.	Part no	Reference	Description
1	<a href="#">40.00.093</a>		Outer gasket f. interior light
2	<a href="#">40.00.094</a>		Inner gasket f. interior light
3	<a href="#">40.00.095</a>		Glass pane f. interior light
4	<a href="#">40.00.096</a>		Gasket frame f. interior light
5	<a href="#">10.00.682</a>		Phillips countersunk-head screw M5x16



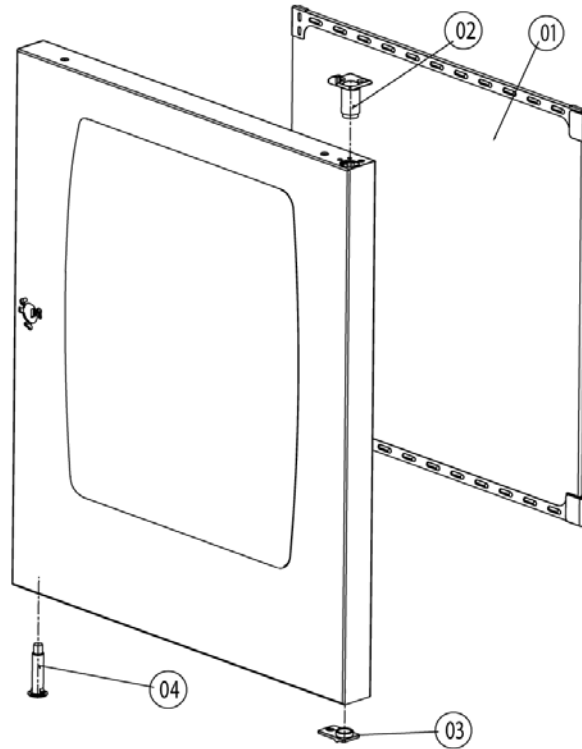
Item no.	Part no	Reference	Description
1	1603.0168		Rivet 3,2x8 A4
2	1304.0160		Washer A4,3
3	1604.0167		Rivet 4x10
4	2760.1370		Latch hook for air baffle
5	22.00.332		Air sucking ring f. air baffle
6	10.00.515		Rivet 3,2x5 A4
7	22.00.484		Swing protection for core probe



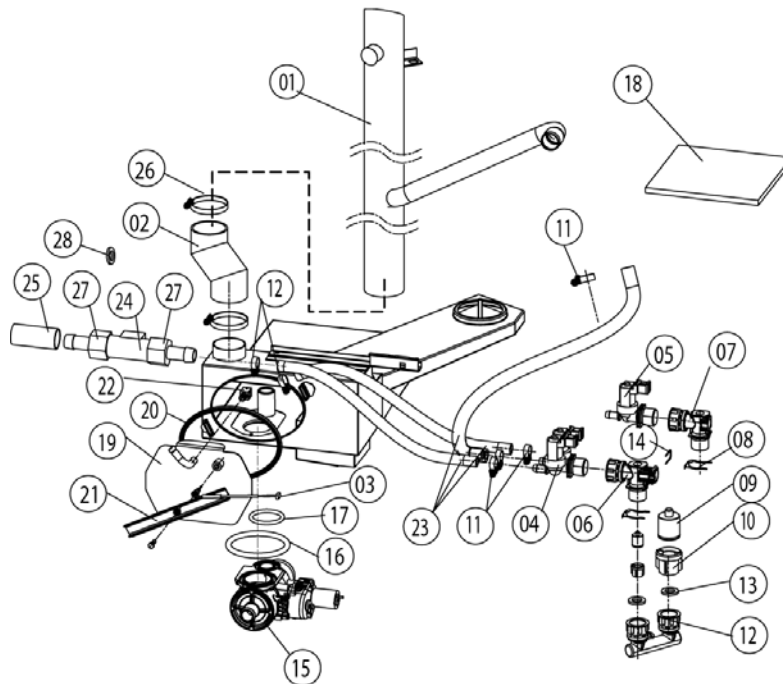
Item no.	Part no	Reference	Description
1	1304.0160		Washer A4,3
2	1604.0167		Rivet 4x10
3	22.00.332		Air sucking ring f. air baffle
4	2760.1370		Latch hook for air baffle
5	10.00.515		Rivet 3,2x5 A4
5	1603.0168		Rivet 3,2x8 A4
6	22.00.361		Deep-draw f. air baffle
7	22.00.484		Swing protection for core probe



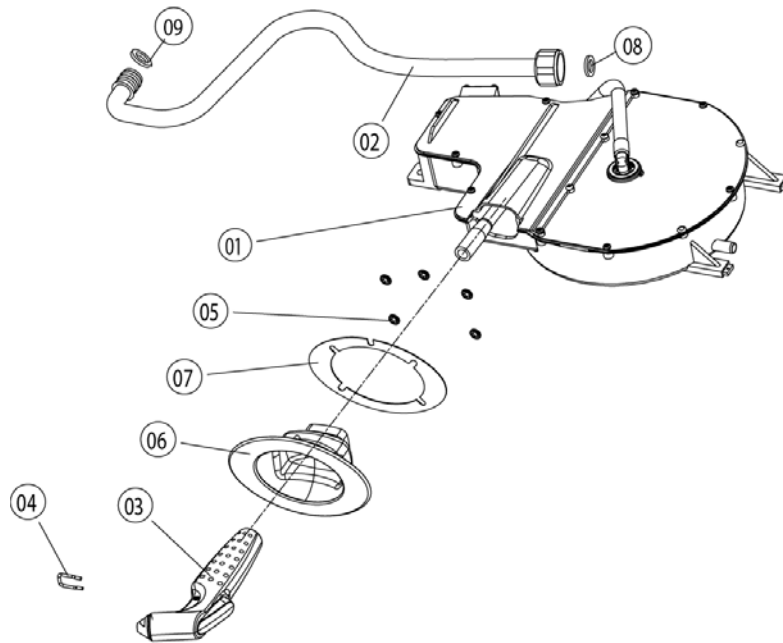
Item no.	Part no	Reference	Description
A	24.00.088	<a href="#">▶8.A</a>	Door
1	24.01.100		Spring clip f. door lock
2	1005.2000		Interlocking tooth screw M5x8
3	24.00.152		Door handle
4	24.00.176		Door lock
5	24.00.504		Lock cover
6	24.00.133		Door mounting support top
7	1008.0768		Ornamental screw M8x16
8	1308.0162		Washer A8,4
9	24.00.223		Door mounting support bottom
10	1006.1962		Countersunk screw Torx M6x16
11	10.00.090		Cap f. Torx T30
12	1006.0760		Hex screw M6x16
13	1106.0802		Cage nut M6
14	24.00.137		Door bolt
15	10.00.099		Hex screw M8x12
16	24.00.048		Door bolt
17	1008.0769		Ornamental screw M8x30
18	2001.0109		Compression spring
19	24.00.141		Holding bracket f. door catch
20	1306.0120		Washer A6,4
21	24.00.142		Door catch
22	1308.0160		Washer A8,4
23	24.01.200		Pan head screw Torx M4x12 T20
24	24.01.199		Slotted pan head screw M6x45 *WDS*



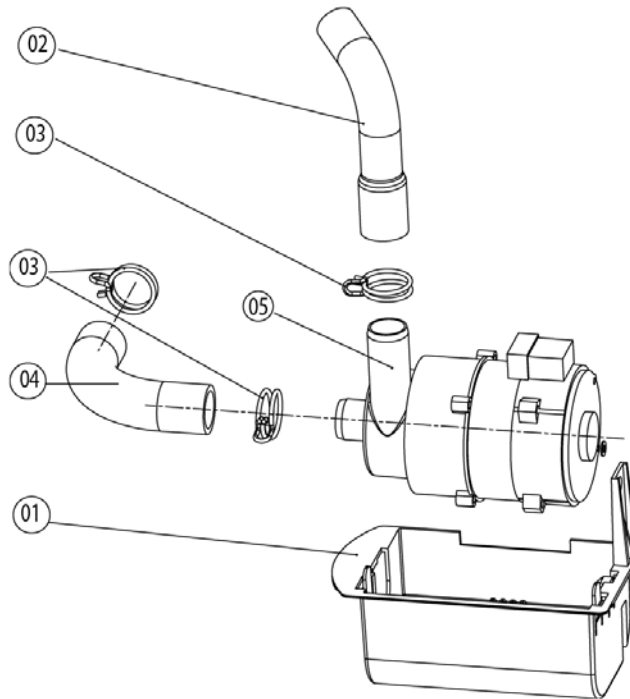
Item no.	Part no	Reference	Description
1	24.00.163		Inner door pane
2	24.00.147		Sleeve for door bolt top
3	24.00.146		Door setting bolt
4	24.00.502		Fixing device f. magnet with magnet



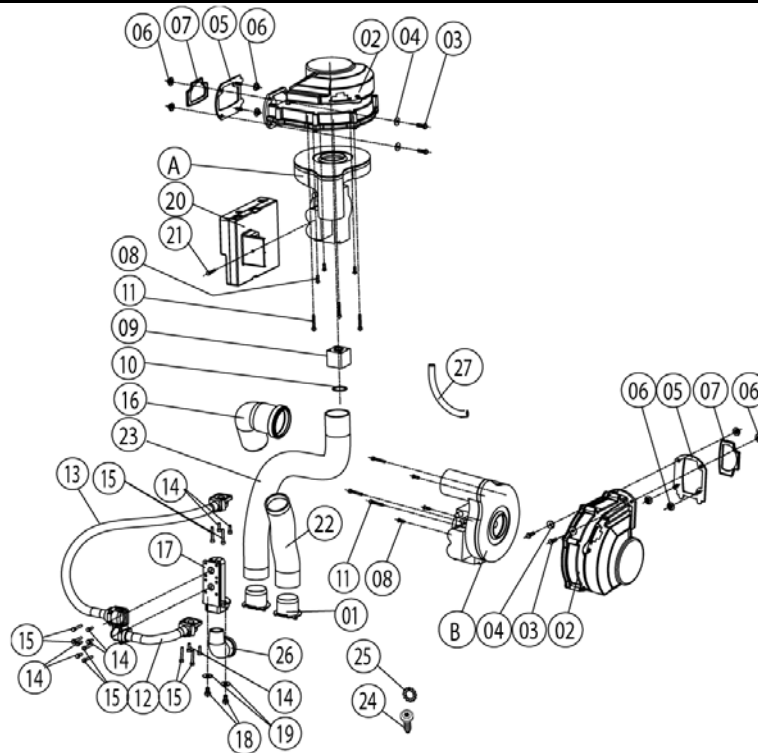
Item no.	Part no	Reference	Description
1	54.00.223		Exhaust pipe
2	54.00.086		Rubber form piece venting pipe
3	40.00.287		Thermocouple quenching
4	50.00.138		Double solenoid valve
5	50.00.139		Single solenoid valve
6	50.00.070		Water distribution hor roll guide con.
7	50.00.071		Water distribution hor. w/o roll guide con.
8	50.00.086		Locking plate f. water distribution
9	50.00.078		Non return valve DW16/DN12
10	1900.0202		Water filter
11	2066.0205		Hose clamp 8-16x9 mm SW 7mm
12	8664.1301		T-fitting water connection
13	5110.1024		Gasket for G3/4" threaded joint
14	50.00.085		Plug-in spring f. hand shower roll guide
15	54.00.357		Ball valve drain SCC cpl.
16	10.00.511		O-ring for ball valve drain 46x3.5
17	10.00.512		O-ring for ball valve drain 26x3.5
18	5003.0300		Insulation, melamin resin foam
19	54.00.228		Inspection lid f. quenching chamber
20	5012.0566		Gasket quenching chamber O-ring
21	54.00.225		Clamping bar
22	2016.0935		Quenching nozzle 2.3 l/min.
23	2067.0050		Pressure hose d10mm
24	44.00.670		Water volume sensor with wire
25	2112.1346		Protecting hose ø28x2x70mm
29	2120.1277		Base for sensor connection



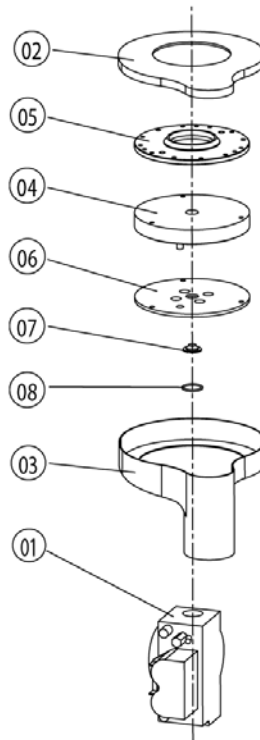
Item no.	Part no	Reference	Description
1	50.00.140		Hand shower roll guide
2	50.00.178		Connect. pipe f. hand shower roll guide
3	50.00.130		Hand shower
4	50.00.156		Clamp f. hand shower roll guide
5	1107.0100		Star lock ø4
6	50.00.279		Tulip for handshower
7	50.00.298		Tape f. tulip
8	50.00.537		Gasket f. connect.pipe hand shower roll guide
9	50.00.538		O-ring f. connect. pipe f. hand shower roll guide



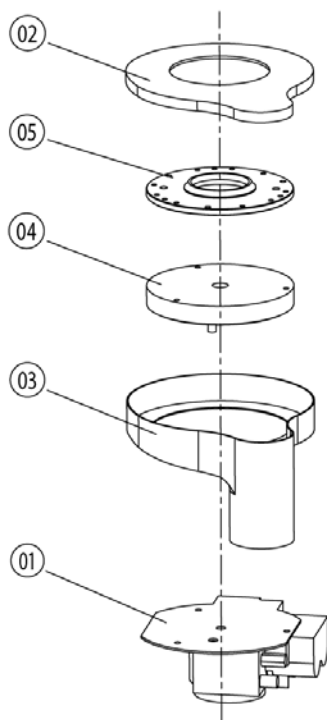
Item no.	Part no	Reference	Description
1	<a href="#">12.00.319</a>		Housing f. Cleaning pump
2	<a href="#">56.00.166</a>		Pressure hose f. cleaning
3	<a href="#">2066.0521</a>		Hose clamp 27mm
4	<a href="#">56.00.188</a>		Suction hose f. cleaning
5	<a href="#">56.00.153</a>		Pump f. cleaning UP30



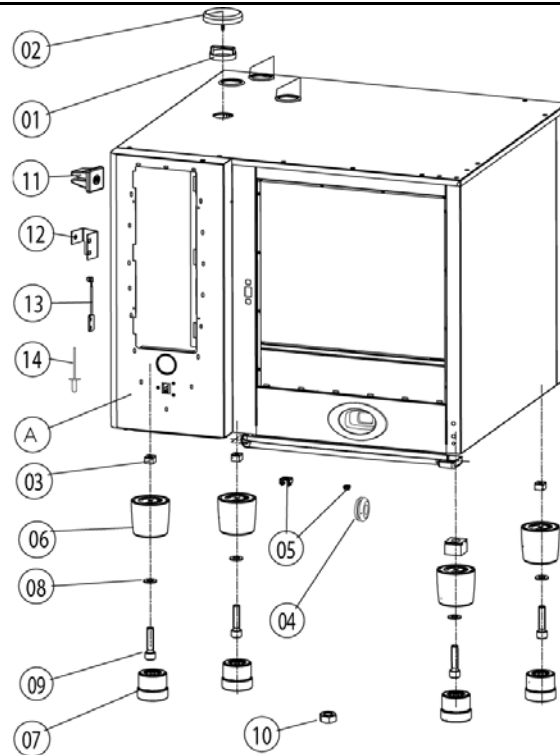
Item no.	Part no	Reference	Description
A	70.00.033	<a href="#">▶12.A</a>	Gas valve cpl. ND 055 RG130
B	70.00.029	<a href="#">▶12.B</a>	Gas valve cpl. WND 055 RG130
1	70.00.221		Air hose fixing device 40mm
2	70.00.028		Blower for burner RG130
3	1008.0750		Hex screw M5x16
4	1305.0160		Washer A5,3x10mm
5	74.00.310		Flange f. burner blower RG130
6	1105.0122		Hex combination nut M5 V2A
7	74.00.301		Gasket f. blower burner
8	10.00.065		Countersunk screw Torx T20 M4x12
9	70.00.069		Spacer sleeve f. gas burner blower
10	70.00.262		O-ring 21.89x2.62
11	10.00.064		Pan head screw Torx T20 M4x30
12	70.00.132		Corrugated hose 110mm
13	70.00.090		Corrugated hose 580mm
14	10.00.061		Pan head screw Torx T20 M4x12
15	10.00.063		Pan head screw Torx T20 M4x25
16	70.00.301		Combustion air angle pipe hot air
17	74.00.308		Gas connection manifold 2x3/4"
18	1006.0762		Hex screw M6x10
19	1306.0222		Washer A6,4x15x1,5
20	74.00.221		Automatic ignition controller
21	10.00.062		Pan head screw Torx T20 M4x20
22	70.00.094		Air hose D40x200mm
23	70.00.093		Air hose D40x650mm
24	10.00.456		Truss head screw Torx M4x30 T20
25	1204.0120		Tooth lock washer A4,3
26	70.00.188		Hose fitting 3/4"-3/4"
27	70.00.280		Silicone hose ø4x1,5



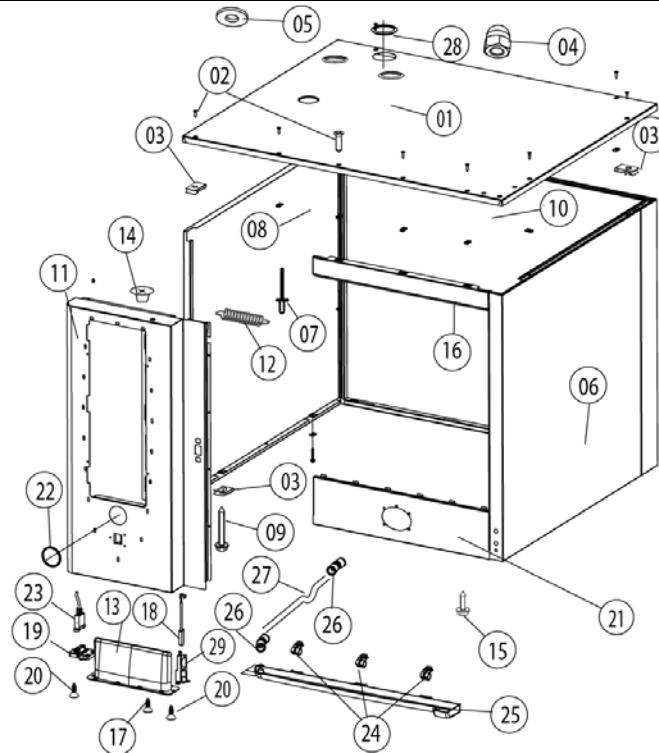
Item no.	Part no	Reference	Description
1	70.00.220		Gas valve GB 055 ND (straight)
2	70.00.255		Premix chamber cover gas f. RG130
3	70.00.030		Premix chamber gas f. RG130
4	70.00.106		Premix disc gas
5	70.00.256		Disc premix chamber-blower RG130
6	70.00.108		Disc gas valve-premix chamber
7	70.00.260		Gas nozzle 7mm
8	70.00.261		O-ring 17x1.5



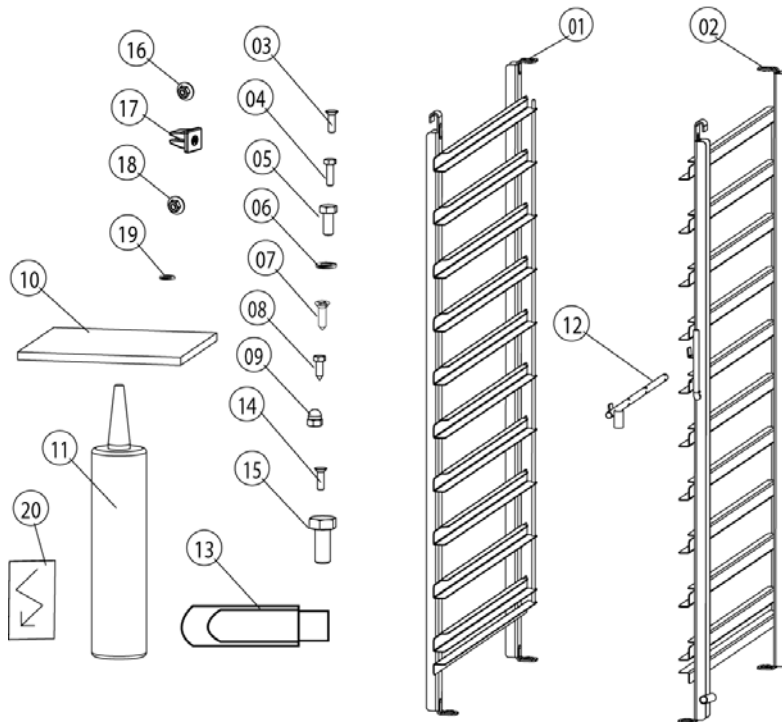
Item no.	Part no	Reference	Description
1	70.00.031		Gas valve GB 055 WND (lateral)
2	70.00.255		Premix chamber cover gas f. RG130
3	70.00.030		Premix chamber gas f. RG130
4	70.00.106		Premix disc gas
5	70.00.256		Disc premix chamber-blower RG130



Item no.	Part no	Reference	Description
A		<a href="#">►13.A</a>	Exterior cabinet
1	<a href="#">22.00.354</a>		Spacer ring
1	<a href="#">8450.1310</a>		Spacer ring
2	<a href="#">22.00.353</a>		Vent cover
2	<a href="#">8455.1209</a>		Vent cover
3	<a href="#">1110.0800</a>		Cage nut M10
4	<a href="#">2022.0101</a>		Grommet 18 mm
5	<a href="#">1106.0802</a>		Cage nut M6
6	<a href="#">12.00.205</a>		Upper part of pedestal
7	<a href="#">12.00.206</a>		Lower part of pedestal
8	<a href="#">1328.0102</a>		Safety washer A10,2
9	<a href="#">10.00.107</a>		Allen screw M10x30
12	<a href="#">16.01.146</a>		Bracket for door contact switch



Item no.	Part no	Reference	Description
1	16.00.815		Top cover
2	1003.2265		Countersunk self tapping screw 4,2x16
3	1104.0820		Snap nut 4,2mm
4	1105.0260		Cap nut M5, high shape
5	1305.0160		Washer A5,3x10mm
6	16.00.135		Side panel right
7	1603.0166		Rivet 3,2x7,9 CNS closed
8	16.00.136		Side panel left
9	10.00.102		Hex self tapping screw B4,2x32
10	16.00.187		Back panel
11	16.00.294		Front panel
12	2002.0107		Tension spring for front panel
13	16.00.673		Air inlet filter
14	2039.0331		Cap for service door
15	1004.2160		Hex self tapping screw 4,2x16
16	16.00.180		Crossbar top
17	10.00.103		EJOT PT-screw KA 3.5x10
18	40.00.335		Door switch
19	16.00.329		Cover f. USB interface
20	10.00.460		EJOT PT-Screw Torx 3,5x14
21	16.00.325		Crossbar below
22	16.00.338		Edge protection profile
23	40.00.469		Interface cable USB 0.9m
24	50.00.296		Clip f. drip collector
25	50.00.286		Drip collector
26	50.00.303		Bushing drip collector
27	50.00.556		Drain drip collector
27	50.00.299		Drain drip collector
28	5105.1027		Gasket f. exhaust pipe d=54mm
29	16.00.384		Bracket for door contact switch



Item no.	Part no	Reference	Description
1	60.61.055		Hinging rack left
2	60.61.056		Hinging rack right
3	10.00.448		Phillips countersunk-head screw M5x16
4	1004.0666		Hex screw M4x10
5	10.00.565		Hex screw M8x20
6	1208.0160		Tooth lock washer A8,4
9	1106.0360		Cap nut M6, high shape
10	5003.0300		Insulation, melamin resin foam
11	5006.0500		Polyurethan-Glue for insulation 310ml
12	60.60.574		Positioning support f. core sensor
13	42.00.029		USB-Memory-Stick
16	1105.0123		Hex combination nut M4
20	4019.0008		Sticker Electric/Danger