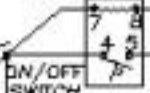


NEMA
5-15P

CONTROL BOX

RAIL CONTROL



ON/OFF SWITCH

WHITE

BLUE

BLACK

BASE SOLENOID



FAN

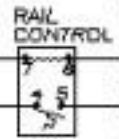


FAN

BASE COIL

BASE SOLENOID:
ROOM PROBE ATTACHED
INSIDE COIL ABOVE
DRAIN PAN.
EVAP PROBE INSERTED
INTO COIL FIN BELOW
SOLENOID.

RAIL SWITCH



MACHINE COMPARTMENT

WHITE

BLUE

RAIL SOLENOID



RAIL CONTROL:
ROOM PROBE INSERTED
INTO RAIL SENSOR TUBE

PRESSURE CONTROL



COND. UNIT

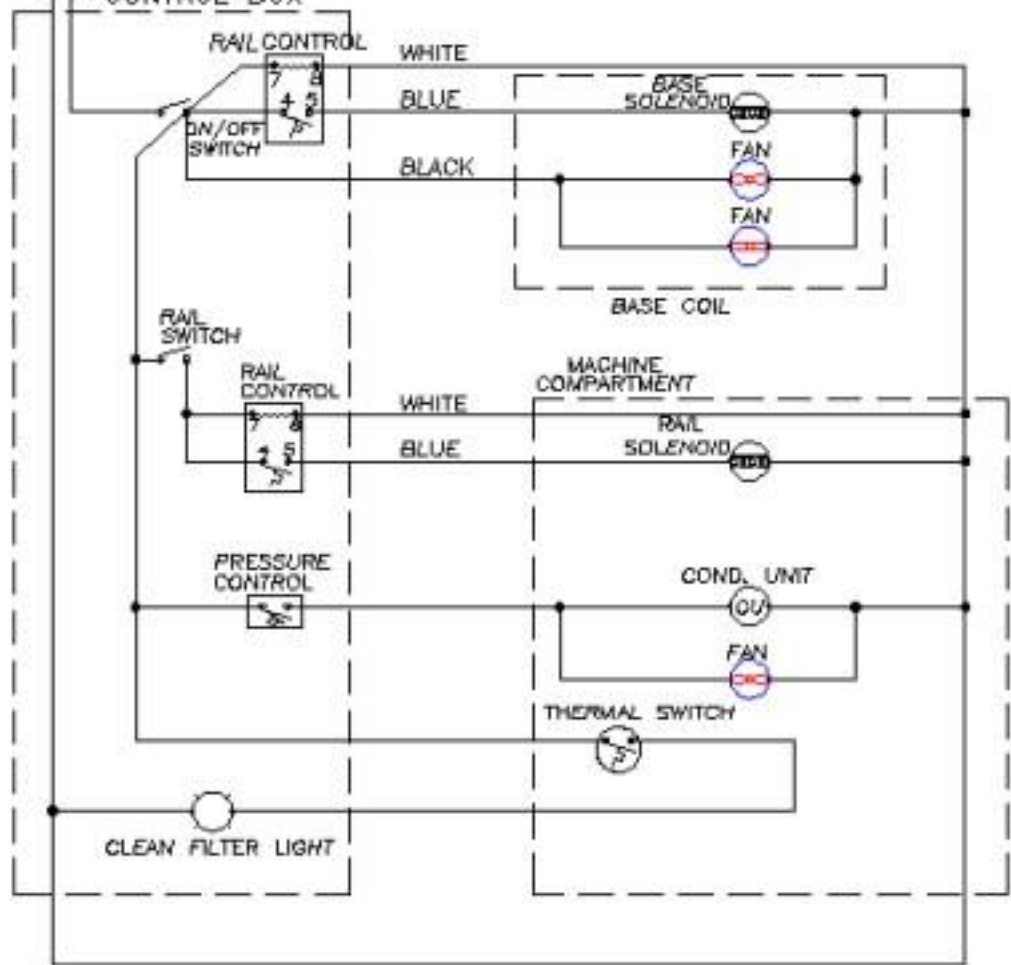


FAN

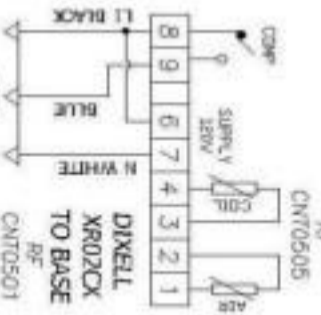
THERMAL SWITCH



CLEAN FILTER LIGHT



PROBE
CONNECTIONS



PROBE
CONNECTIONS

