



# OPERATOR MANUAL

IMPORTANT INFORMATION, KEEP FOR OPERATOR

888-994-7636, fax 888-864-7636  
unifiedbrands.net

THIS MANUAL MUST BE RETAINED FOR FUTURE REFERENCE. READ, UNDERSTAND AND FOLLOW THE INSTRUCTIONS AND WARNINGS CONTAINED IN THIS MANUAL.

**FOR YOUR SAFETY** Do not store or use gasoline or other flammable vapors and liquids in the vicinity of this or any other appliance.

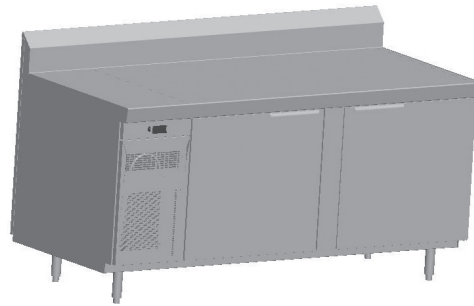
**WARNING R290 flammable refrigerant in use.** Improper installation, adjustment, alteration, service or maintenance can cause property damage, injury or death. Read the installation, operating and maintenance instructions thoroughly before installing or servicing this equipment.

**NOTIFY CARRIER OF DAMAGE AT ONCE** It is the responsibility of the consignee to inspect the container upon receipt of same and to determine the possibility of any damage, including concealed damage. Randell suggests that if you are suspicious of damage to make a notation on the delivery receipt. It will be the responsibility of the consignee to file a claim with the carrier. We recommend that you do so at once.

Manufacture Service/Questions 888-994-7636.

This manual provides information for:

## 65372-290 SELF-CONTAINED WORK-TOP FREEZER



### RETAIN THIS MANUAL FOR FUTURE REFERENCE

**NOTICE:** Due to a continuous program of product improvement, Randell reserves the right to make changes in design and specifications without prior notice.

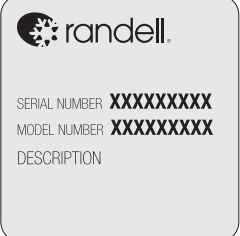
**NOTICE:** Please read the entire manual carefully before installation. If certain recommended procedures are not followed, warranty claims will be denied.

MODEL NUMBER \_\_\_\_\_

SERIAL NUMBER \_\_\_\_\_

INSTALLATION DATE \_\_\_\_\_

The serial number is located in the cabinet left side under the drawer track. An example is shown here.



### EQUIPMENT DESCRIPTION

MODEL	LENGTH	DEPTH	HEIGHT	NO. OF DOORS	STORAGE (CUBIC FEET)	POWER USAGE (KW PER DAY)	COMPRESSOR	VOLT	AMPS	NEMA	SHIP WT (LBS)
65372-290	72"	33"	36"	2	14.89	4.61	1/2	115/60/1	6.0	5-15P	505*

### INSTALLATION

**CAUTION:** THIS UNIT CONTAINS R290 FLAMMABLE REFRIGERANT. USE CAUTION WHEN HANDLING MOVING AND USE OF THE REFRIGERATOR OR FREEZER. AVOID DAMAGING THE REFRIGERANT TUBING OR INCREASE THE RISK OF A LEAK.

**WARNING:** FAILURE TO FOLLOW INSTALLATION GUIDELINES AND RECOMMENDATIONS MAY VOID THE WARRANTY ON YOUR UNIT.

**WARNING:** IT IS IMPORTANT THAT YOUR UNIT HAS ITS OWN DEDICATED LINE. CONDENSING UNITS ARE DESIGNED TO OPERATE WITH A VOLTAGE FLUCTUATION OF PLUS OR MINUS 10% OF THE VOLTAGE INDICATED ON THE UNIT DATA TAG. BURN OUT OF A CONDENSING UNIT DUE TO EXCEEDING VOLTAGE LIMITS WILL VOID THE WARRANTY.

THE DANFOSS CONTROLLER HAS LOW VOLTAGE PROTECTION AND WILL NOT OUTPUT VOLTAGE TO THE COMPRESSOR IF VOLTAGE IS LESS THAN 104V.

**WARNING:** THIS UNIT IS INTENDED FOR USE IN LABORATORIES IN COMMERCIAL, INDUSTRIAL, OR INSTITUTIONAL OCCUPANCIES AS DEFINED IN THE SAFETY STANDARD FOR REFRIGERATION SYSTEMS, ASHRAE 15.

### SELECTING A LOCATION FOR YOUR NEW UNIT

The following conditions should be considered when selecting a location for your unit:

- Floor & Countertop Load:** The area on which the unit will rest must be level, free of vibration, and suitably strong enough to support the combined weights of the unit plus the maximum product load weight. **NOTE:** If there is a question pertaining to weight load limits, consult the factory at 1-888-994-7636.
- Clearance:** Clearance must be a combined total of at least 1" on back of unit. Do not place any object that can block the ventilation exhaust from the machine compartment register. Area of equipment must be free of all combustible materials.
- Ventilation:** The air cooled self contained unit requires a sufficient amount of cool clean air. Avoid surrounding your unit around other heat generating equipment and out of direct sunlight. Also, avoid locating in an unheated room or where the room temperature may drop below 70°F (21°C) or rise above 86°F (32°C).



Information contained in this document is known to be current and accurate at the time of printing/creation. Reference our product line website for the most updated product information and specifications. © 2023 Electrolux Professional, Inc. All Rights Reserved.

# IMPORTANT - READ FIRST - IMPORTANT

## INTERIOR EVAPORATOR COVER

<b>⚠ DANGER</b>	<p>RISQUE D'INCENDIE OU D'EXPLOSION. INFLAMMABLE REFRIGERANT UTILISÉ. NE PAS UTILISER DE DISPOSITIFS MÉCANIQUES POUR DÉGIVRER LE RÉFRIGÉRATEUR. NE FAIRE AUCUN TUBE REFRIGÉRANT DE PONTION. <small>SB1.1.2</small></p>	<b>WARNING ⚠ ALERTE</b>
<p><b>RISK OF FIRE OR EXPLOSION. FLAMMABLE REFRIGERANT USED. DO NOT USE MECHANICAL DEVICES TO DEFROST REFRIGERATOR. DO NOT PUNCTURE REFRIGERANT TUBING.</b></p> <p><small>RIESGO DE INCENDIO O EXPLOSION. REFRIGERANTE INFLAMMABLE UTILIZADO. NO UTILICE DISPOSITIVOS MECANICOS PARA DESCONGELAR EL REFRIGERADOR. NO PERFORE LA TUBERIA DEL REFRIGERANTE. <small>PP.LB1704 REV B</small></small></p>	<p>DO NOT REMOVE PANEL - HIGH VOLTAGE - QUALIFIED PERSONNEL ONLY NE PAS RETIRE LE PANNEAU - HAUTE TENSION - PERSONNEL QUALIFIE SEULEMENT NO RETIRE EL PANEL - ALTA TENSION - CALIFICADO PERSONAL</p>	<b>CAUTION ⚠ ATTENTION</b>
		<p>MOVING PARTS. DO NOT OPERATE WITH COVER REMOVED PIECES MOBILES NE PAS FAIRE FONCTIONNER SANS COUVERCLE LAS PIEZAS DE MOVIMIENTO NO FUNCIONAN CON LA CUBIERTA RETIRADA</p>

## EXTERIOR OF UNIT

<b>⚠ CAUTION</b>	<p>MISE EN GARDE RISQUE D'INCENDIE OU D'EXPLOSION. ÉLIMINER (or DISPOSER) CORRECTEMENT CONFORMÉMENT AUX RÉGLEMENTATIONS FÉDÉRALES OU LOCALES. REFRIGÉRANT INFLAMMABLE UTILISÉ. <small>PP.LB1704 REV B</small></p>
<p><b>RISK OF FIRE OR EXPLOSION. DISPOSE OF PROPERLY IN ACCORDANCE WITH FEDERAL OR LOCAL REGULATIONS. FLAMMABLE REFRIGERANT USED.</b></p> <p><small>RIESGO DE INCENDIO O EXPLOSION. DESECHÉLO ADECUADAMENTE CONFORME A REGLAMENTOS FEDERALES O LOCALES. REFRIGERANTE INFLAMMABLE UTILIZADO. <small>SB1.1.3</small></small></p>	

## NEAR EXPOSED REFRIGERANT TUBING

<b>⚠ CAUTION</b>	<p>MISE EN GARDE RISQUE D'INCENDIE OU D'EXPLOSION EN RAISON DE LA PERFORATION DU TUBE REFRIGÉRANT. SUIVEZ ATTENTIVEMENT LES INSTRUCTIONS DE MANIPULATION. REFRIGÉRANT INFLAMMABLE UTILISÉ.</p>
<p><b>RISK OF FIRE OR EXPLOSION DUE TO PUNCTURE OF REFRIGERANT TUBING; FOLLOW HANDLING INSTRUCTIONS CAREFULLY. FLAMMABLE REFRIGERANT USED.</b></p> <p><small>PRECAUCIÓN RIESGO DE INCENDIO O EXPLOSION DEBIDO A LA PERFORACIÓN DE LA TUBERÍA DE REFRIGERANTE. SIGA CUIDADOSAMENTE LAS INSTRUCCIONES DE MANEJO. REFRIGERANTE INFLAMMABLE UTILIZADO. <small>SB1.1.5</small></small></p>	

## NEAR MACHINE COMPARTMENT AND NAMEPLATE

<b>⚠ DANGER</b>	<p>RISQUE D'INCENDIE OU D'EXPLOSION. INFLAMMABLE REFRIGÉRANT UTILISÉ. POUR ÊTRE RÉPARÉ QUE PAR UN TECHNICIEN QUALIFIÉ. NE PAS PERFORER LE TUBE REFRIGÉRANT.</p>
<p><b>RISK OF FIRE OR EXPLOSION. FLAMMABLE REFRIGERANT USED. TO BE REPAIRED ONLY BY TRAINED SERVICE PERSONNEL. DO NOT PUNCTURE REFRIGERANT TUBING.</b></p> <p><small>PELIGRO RIESGO DE INCENDIO O EXPLOSION. REFRIGERANTE INFLAMMABLE UTILIZADO. DEBE SER REPARADO SOLAMENTE POR PERSONAL DE SERVICIO CAPACITADO. NO PERFORE LA TUBERIA DEL REFRIGERANTE. <small>SB1.1.3</small></small></p>	
<b>⚠ CAUTION</b>	<p>MISE EN GARDE RISQUE D'INCENDIE OU D'EXPLOSION. REFRIGÉRANT INFLAMMABLE UTILISÉ. CONSULTER LE MANUEL DE RÉPARATION / GUIDE DE L'UTILISATEUR AVANT D'ESSAYER D'INSTALLER OU DE RÉPARER CE PRODUIT. TOUTES LES PRÉCAUTIONS DOIVENT ÊTRE RESPECTÉES. <small>PP.LB1704 REV B</small></p>
<p><b>RISK OF FIRE OR EXPLOSION. FLAMMABLE REFRIGERANT USED. CONSULT REPAIR MANUAL / OWNER'S GUIDE BEFORE ATTEMPTING TO INSTALL OR SERVICE THIS PRODUCT. ALL SAFETY PRECAUTIONS MUST BE FOLLOWED.</b></p> <p><small>PRECAUCIÓN RIESGO DE INCENDIO O EXPLOSION. REFRIGERANTE INFLAMMABLE UTILIZADO. CONSULTE EL MANUAL DE REPARACIÓN / MANUAL DEL USUARIO ANTES DE INSTALAR O REPARAR ESTE PRODUCTO. DEBEN SEGUIRSE LAS PRECAUCIONES DE SEGURIDAD. <small>SB1.1.3</small></small></p>	

## INSTALLATION CHECKLIST

After the final location has been determined, refer to the following checklist prior to start-up:

1. Check all exposed refrigeration lines to ensure that they are not kinked, dented, or rubbing together.
2. Check that the condenser and evaporator fans rotate freely without striking any stationary members.
3. Unit must be properly leveled; check all legs or casters to ensure they all are in contact with the floor while maintaining a level work surface. Adjusting bullet feet heights or shiming casters may be necessary if the floor is not level. NOTE: Damage to equipment may result if not followed. Randell is not responsible for damage to equipment if improperly installed.
4. Allow unit time to cool down to temperature. If temperature adjustments are required, the control is located on the front panel. Confirm that the unit is holding the desired temperature.
5. Refer to the front of this manual for serial number location. Please record this information in your manual. It will be necessary when ordering replacement parts or requesting warranty service.
6. Before putting in food, allow your unit to operate for approximately two (2) hours so that interior of the unit is cooled down to storage temperature.
7. Check drawer to ensure the drawer slides freely and fully extends along with seating into the cabinet properly when closed.

## ELECTRICAL SUPPLY

Any wiring should be done by a qualified electrician in accordance with all national and local electrical codes. A properly wired and grounded outlet will assure proper operation. Please consult the data tag attached to the compressor to ascertain the correct electrical requirements. Supply voltage and amperage requirements are located on the serial number tag.

## OPERATION

Allow unit to operate for approximately two (2) hours before placing in food.

## AMBIENT CONDITIONS

Unit is designed for normal operating temperatures between 70° F (21°C) - 86° F (32°C). Operating outside of those temperatures may cause premature product wear or failure.

Randell has attempted to preset the temperature control to ensure that your unit runs at an optimum temperature, but due to varying ambient conditions, including elevation, food type and your type of operation, you may need to alter this temperature using control adjustment until desired temperature is reached.

## DANFOSS CONTROLLER OPERATION

LED	FUNCTION
	Compressor energized & Evaporator fan de-energized
	Defrost in progress
	Fans delay after defrost completion
	Evaporator fan energize
	An alarm is occurring
°C / °F	Temperature unit

## MANUAL DEFROST



POWER ON / OFF

CHANGE SET POINT

**POWER ON / OFF:** Press and hold the power button until LED display turns On / Off

**MANUAL DEFROST:** Press and hold "Defrost" Button

**CHANGE SET POINT:** To raise temperature

1. Press and hold “Λ” to access set point.
2. When set point start flashing, Press “Λ” to adjust set point.
3. After 30 seconds, the display automatically reverts to showing the current temperature.

**CHANGE SET POINT:** To lower temperature

1. Press and hold “v” to access set point.
2. When set point start flashing, Press “v” to adjust set point.
3. After 30 seconds, the display automatically reverts to showing the current temperature.

**CHANGE FROM °F /°C :**

1. Press the up/down buttons simultaneously for 5 seconds to access the menu.
2. Password is requested. Password is 000.
3. Press the bottom left button to OK the password.
4. Using the up/down buttons, navigate to the “diS” level. Press the bottom left button to OK the selection.
5. Using the up/down buttons, navigate to the “CFu” level. Press the bottom left button to OK the selection.
  - a. “-F” designates Fahrenheit.
  - b. “-C” designates Celsius.
6. Press the top left button repeatedly to return to exit and return to the home screen.

## MAINTENANCE

**WARNING: DO NOT USE SHARP UTENSILS AND/OR OBJECTS.**

**WARNING: DO NOT USE STEEL PADS, WIRE BRUSHES, SCRAPERS, OR CHLORIDE CLEANERS TO CLEAN YOUR STAINLESS STEEL.**

**CAUTION: DO NOT USE ABRASIVE CLEANING SOLVENTS, AND NEVER USE HYDROCHLORIC ACID (MURIATIC ACID) ON STAINLESS STEEL.**

**WARNING: DO NOT PRESSURE WASH EQUIPMENT AS DAMAGE TO ELECTRICAL COMPONENTS MAY RESULT.**

Randell strongly suggests a preventive maintenance program which would include the following monthly, weekly, and daily procedures:

If a failure of the equipment is a direct result of any of the Preventative Maintenance guidelines being neglected, the repairs and parts replacements will not be covered under warranty.

It is recommended that the customer contact the local Authorized Service Agent to provide a quote to perform periodic Preventative Maintenance.

### MONTHLY PROCEDURES

1. Clean fan blades on the condensing unit and evaporator assembly.
2. Clean all gaskets on a weekly if not daily basis with a solution of warm water and a mild detergent to extend gasket life.
3. Lubricate door hinges with lithium grease.

RECOMMENDED CLEANERS FOR YOUR STAINLESS STEEL INCLUDE THE FOLLOWING:

JOB	CLEANING AGENT	COMMENTS
Routine cleaning	Soap, ammonia, detergent Medallion	Apply with a sponge or cloth
Fingerprints and smears	Arcal 20, Lac-O-Nu, Ecoshine	Provides a barrier film
Stubborn stains and discoloration	Cameo, Talc, Zud, First Impression	Rub in the direction of the polish lines
Greasy and fatty acids, blood, burnt-on foods	Easy-Off, Degrease It, Oven Aid	Excellent removal on all finishes
Grease and Oil	Any good commercial detergent	Apply with a sponge or cloth
Restoration/Preservation	Benefit, Super Sheen	Good idea monthly

Reference: Nickel Development Institute, Diversey Lever, Savin, Ecolab, NAFEM

Proper maintenance of equipment is the ultimate necessity in preventing costly repairs. By evaluating each unit on a regular schedule, you can often catch and repair minor problems before they completely disable the unit and become burdensome on your entire operation.

For more information on preventive maintenance, consult your local service company or CFESA member. Most repair companies offer this service at very reasonable rates to allow you the time you need to run your business along with the peace of mind that all your equipment will last throughout its expected life. These services often offer guarantees as well as the flexibility in scheduling or maintenance for your convenience. For a complete listing of current Randell ASA please visit [www.unifiedbrands.net](http://www.unifiedbrands.net).

Randell believes strongly in the products it manufactures and backs those products with one of the best warranties in the industry. We believe with the proper maintenance and use, you will realize a profitable return on your investment and years of satisfied service.

## REPLACEMENT PARTS

To order parts, contact your Authorized Service Agent. Supply the model designation, serial number, part description, part number, quantity, and when applicable, voltage and phase.

## CONTACT US

If you have questions pertaining to the content in this manual, contact Randell at 888-994-7636 or [tstrandell@unifiedbrands.net](mailto:tstrandell@unifiedbrands.net).

## TROUBLESHOOTING

This unit is designed to operate smoothly and efficiently if properly maintained. However, the following is a list of checks to make in the event of a problem. Wiring diagrams are found at the end of this manual. When in doubt, turn unit off and contact service at 888-994-7636 or tsrandell@unifiedbrands.net.

SYMPTOM	POSSIBLE CAUSE	PROCEDURE
Unit does not run	No power to unit	Plug in unit
	Control in OFF position	Turn controller on
	Faulty control	Call for service at 888-994-7636
Unit too cold	Incorrect set point	Adjust control set point
Unit too warm	Door / drawer ajar	Ensure door / drawer is fully closed
	Gasket torn or out of place	Inspect the gasket for wear and position
	Incorrect set point	Adjust control set point
	Warm product introduced to cabinet	Pre-chill product 37°F
	Ice on the coil	Initiate manual defrost
Unit noisy	Ice on the coil	Initiate manual defrost
Unit does not defrost	Excessive ice on the coil	Initiate manual defrost

## DANFOSS CONTROLLER CODES

DISPLAYED ALARM CODE	ALARM	ACTION
Hi	High Temperature Alarm	Inspect door/drawer sealing Contact service
Lo	Low Temperature Alarm	Contact service
CON	Condenser Temperature High Limit	Clean condenser coil
		Inspect coil for any objects obstruction hindering airflow
		Contact service
uHi	Line Voltage Too High	Verify voltage of power source, to be performed by qualified technician
		Contact service
uLi	Line Voltage Too Low	Verify voltage of power source, to be performed by qualified technician
		Contact service
LEA	Continuous Compressor Runtime	Inspect door/drawer sealing
		Inspect condenser coil, clean if necessary
		Contact service
E01	S1 Sensor Failure	Contact service
E02	S2 Sensor Failure	Contact service
E03	S3 Sensor Failure	Contact service
E04	S4 Sensor Failure	Contact service

## SERVICE

**CAUTION: COMPONENT PARTS SHALL BE REPLACED WITH FACTORY OEM PARTS. SERVICE WORK SHALL BE DONE BY FACTORY AUTHORIZED SERVICE PERSONNEL, SO AS TO MINIMIZE THE RISK OF POSSIBLE IGNITION DUE TO INCORRECT PARTS OR IMPROPER SERVICE.**

**CAUTION: BEFORE MAKING ANY REPAIRS, ENSURE THE UNIT IS DISCONNECTED FROM ITS POWER SOURCE.**

This piece of equipment uses a R290 Refrigeration system. This equipment has been clearly marked on the serial tag the type of refrigerant that is being used. There is also a warning labels stating that the unit contains R290 refrigerant. R290 is safe to use as long as you follow these warning labels.

No smoking or open flames when servicing this equipment. If needed, use a CO2 or powder type fire extinguisher.

Replacement parts used on any R290 Refrigeration system cabinet must have specific UL certification for non-sparking components.

Only authorized service technician, certified in R290 system should service this equipment.

### MANIFOLD SET

A R134A manifold set can be used for servicing this equipment.

### REFRIGERANT RECOVERY

Follow all national and local regulations for R-290 refrigerant recovery.

### LEAKING CHECKING AND REPAIR

Leak check an R-290 system the same way you would an R-134a or R-404A system with the following exceptions.

- Do not use a Halid leak detector on a R290 system.
- Electronic leak detector must be designated specifically for combustible gas.

Use of a bubble solution or an ultrasonic leak detector are acceptable.

When repairing a leak, it is recommended using oxygen free dry nitrogen with a trace gas not exceeding 200PSI.

When accessing an R290 system, piercing valves are not to remain on the equipment in a permanent manner. After charge is recovered, Schrader valves are to be installed on the process stubs. Proper charge is to be weighed into the system and the system is to be leak checked afterwards.

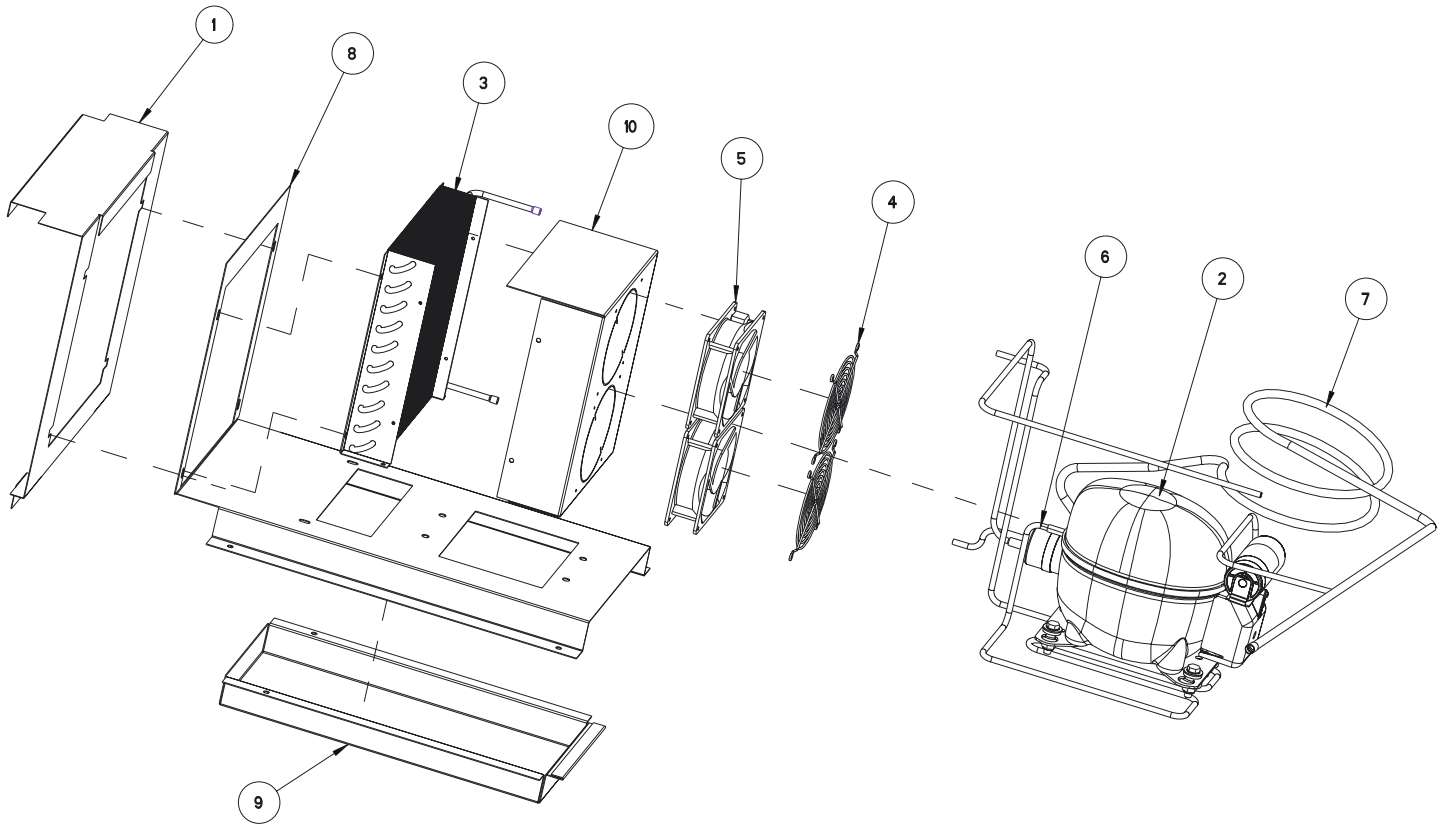
The R290 equipment must have red process tubes and other devices through which the refrigerant is serviced, such as any service port. This color marking must remain on the equipment. If marking is removed, it must be replace and extend at least 2.5 centimeters (1") from the compressor.

### CHARGING

Follow the charge amount specified on the data tag. It is recommended to use the shortest hoses possible to prevent undercharging.

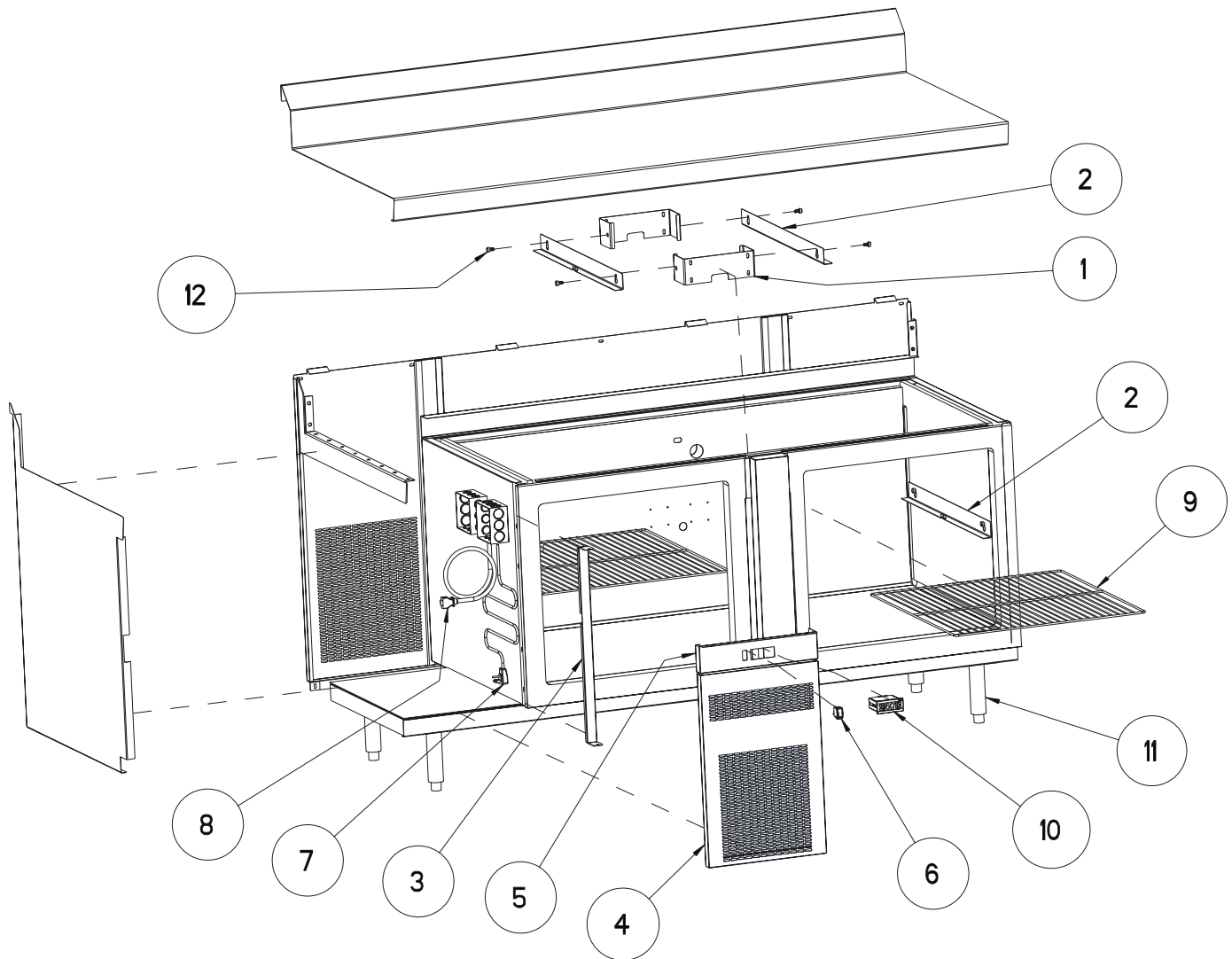
- Ensure the system is sealed and leak checked
- Evacuate system to a minimum 500 micron
- Weigh in correct charge
- Leak check the system again
- Bleed the refrigerant from the high side hose to the low side hose
- Disconnect the hoses
- Remove line taps

# Parts List



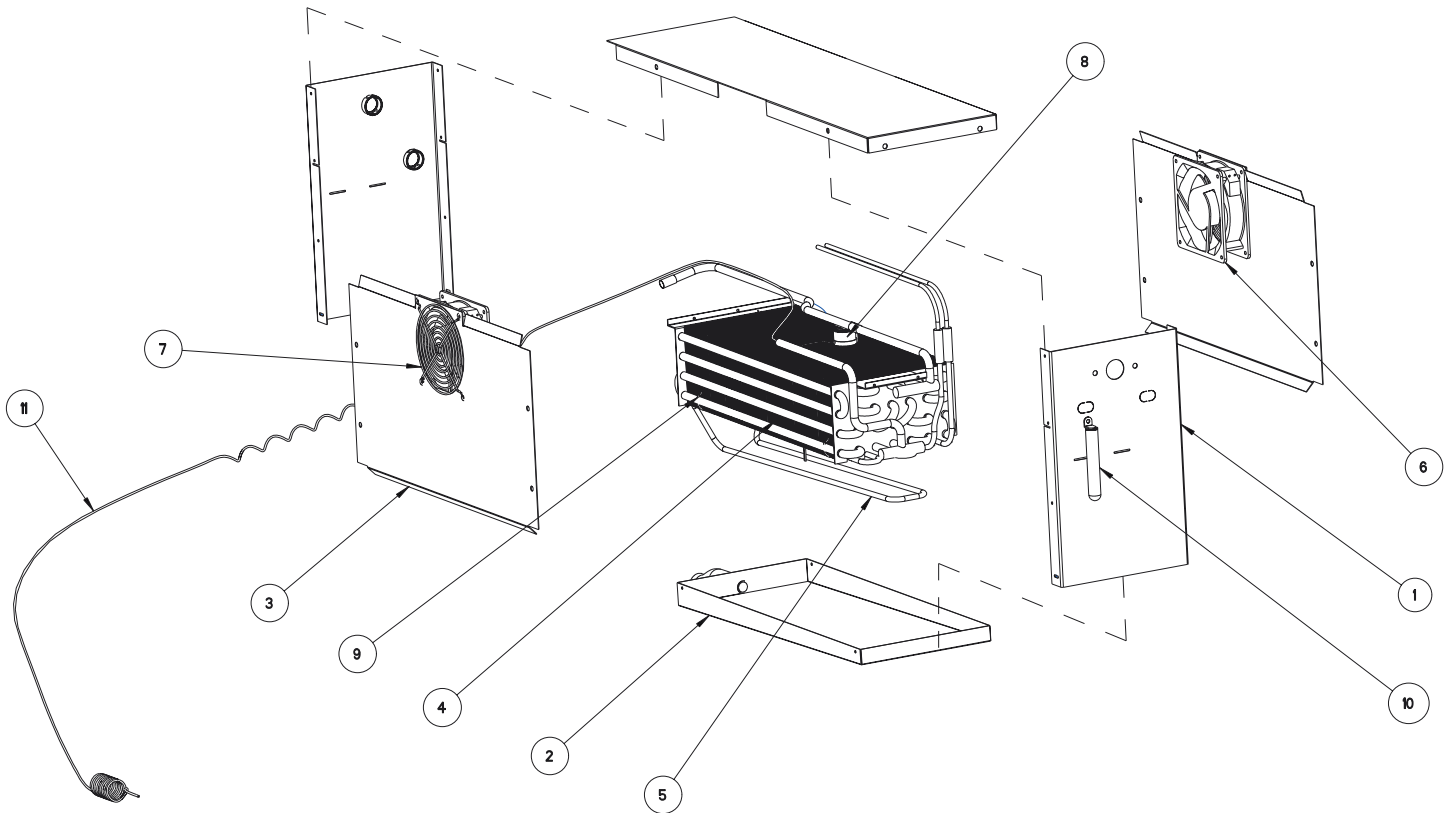
ITEM	SERVICE PART	DESCRIPTION
1	<a href="#">RP SHD1705</a>	CONDENSING UNIT SHROUD, 65372
2	<a href="#">RF CMP1607</a>	COMPRESSOR, 1/2HP R290 EMBRACO 115V NEU2140U
2a	<a href="#">RF CMP1607SC</a>	START COMPONENTS, COMPRESSOR 1/2HP EMBRACO NEU2140U
3	<a href="#">RF COI1603</a>	COIL, CONDENSER
4	<a href="#">RF FAN0703</a>	FAN GUARD, NICKEL CHROME FINISH WIRE 116MM RND
5	<a href="#">RF FAN1401</a>	FAN, CONDENSOR AXIAL, 119MM X 38MM
6	<a href="#">RF FLT9902</a>	FILTER DRIER, 1/4" X .042ID - 032 DBL INLET
7	<a href="#">RP WRP1703</a>	CAP TUBE ASSY, WRAP, .042ID X 10' W/ HEAT EXCHANGE
8	<a href="#">RP MNT1701</a>	MOUNT, COMPRESSOR ASSEMBLY
9	<a href="#">RP CPN1701</a>	DRAIN PAN, COMPRESSOR
10	<a href="#">RP SHD1702</a>	SHROUD, FAN - 65348/65360/65372

# Parts List



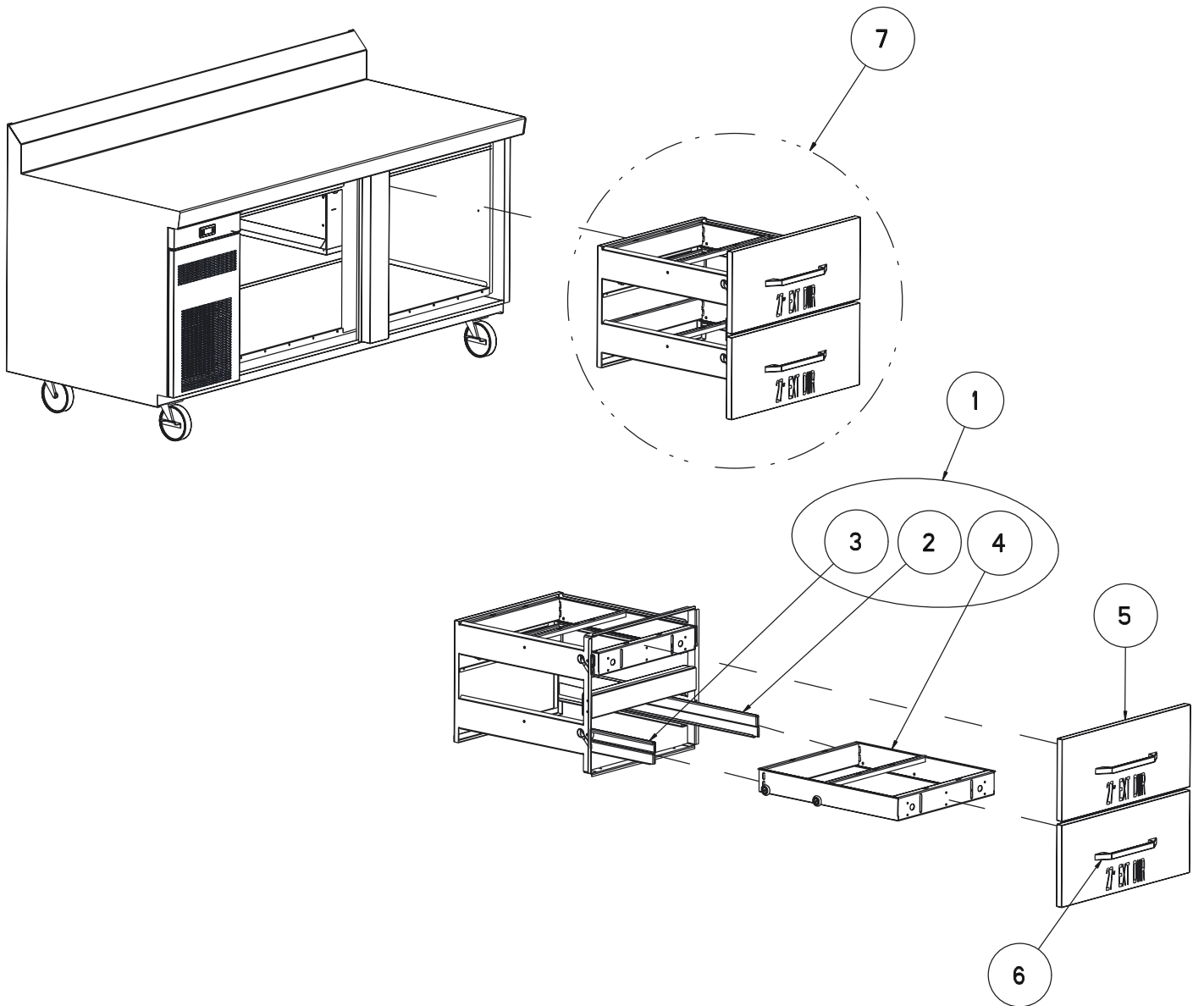
ITEM	SERVICE PART	DESCRIPTION
1	<a href="#">RP SPT1705</a>	CENTER MULLION SHELF SUPPORT BRACKET
2	<a href="#">RP SPT007</a>	INTERIOR SHELF SUPPORTS
3	<a href="#">RP BRK1515</a>	RIGHT HINGED LOUVER MOUNTING BRACKET
3A	<a href="#">RP BRK1516</a>	LEFT HINGED LOUVER MOUNTING BRACKET
4	<a href="#">RP LVR1705</a>	COMPRESSOR LOUVER
5	<a href="#">RP PNL1706</a>	TOP CHANNEL FOR LOUVER
6	<a href="#">EL SWT1701</a>	SWITCH, ROCKER, 125-250V, 10.1A
7	<a href="#">EL WIR461-90</a>	POWER CORD, IEC320 10A FEMALE TO 5-15P 90 ON SIDE, 16-3 SJ*0
8	<a href="#">EL WIR469A</a>	20A POWER CORD, 9' 12GA SJO 000461-12
9	<a href="#">HD SHL180</a>	SHELF, 22 1/8" X 25 1/4"
10	<a href="#">RP CNT1703</a>	DANFOSS P/N ERC112C
11	<a href="#">HD LEG9901</a>	LEG ASSY, 6"
12	<a href="#">HD PIN001</a>	PIN, SHELF SUPPORT

# Parts List



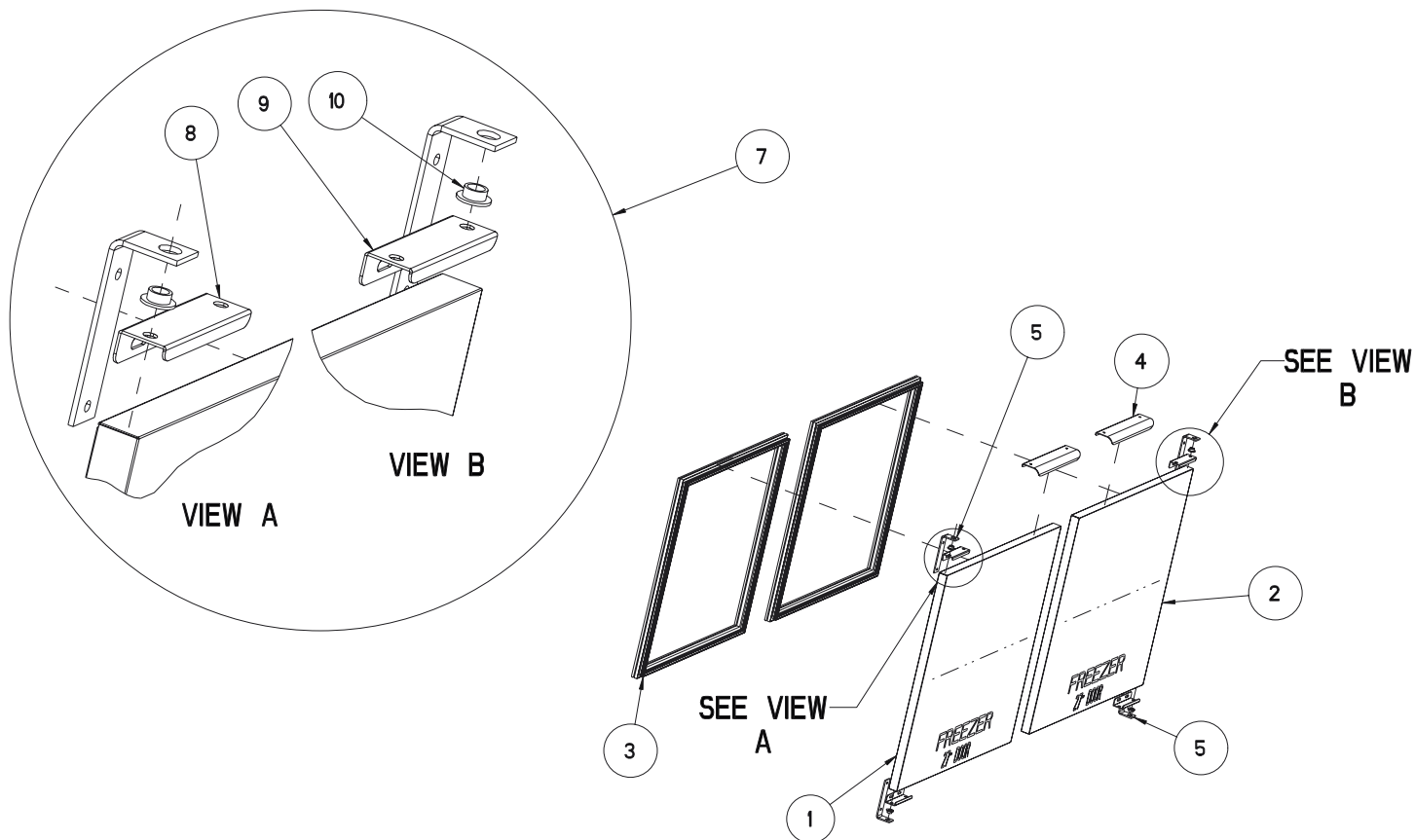
ITEM	SERVICE PART	DESCRIPTION
1	<a href="#">RP PNL1704</a>	PANEL, COIL FRONT
2	<a href="#">RP DRP1701</a>	PAN, DRIP S/S FREEZER COIL
3	<a href="#">RP SHD1703</a>	SHROUD, COIL SIDE
4	<a href="#">RF COI9905</a>	4 X 7.5 X 21" MULLION
5	<a href="#">EL ELM9904</a>	ELEMENT, DEFROST, 120V, 400W, 65000 FREEZER MULLION
6	<a href="#">RF FAN1401</a>	FAN, AXIAL 119MM X 38MM (2 QTY)
7	<a href="#">RF FAN0703</a>	FAN GUARD, NICKEL CHROME FINISH WIRE 116MM RND (2 QTY)
8	<a href="#">RF TRM0501</a>	THERMODISC 2-WIRE, OPEN:70 CLOSE:50 SE0-70-T17
9	<a href="#">RF HTR145</a>	CLIP, DEFROST ELEMENT HOLD DOWN (2 QTY)
10	<a href="#">HD THR100</a>	THERMOMETER, 4" HANGING HB-120L
11	<a href="#">RP WRP1703</a>	WRAP, HEAT EXCHANGE 65348-290, .042 X 10
13	<a href="#">RF CNT1602</a>	THERMISTOR, QTI AIR SENSOR, 10' BLACK
14	<a href="#">RF CNT1603</a>	THERMISTOR, QTI AIR SENSOR, 10' BLACK

# Parts List



ITEM	SERVICE PART	DESCRIPTION
1	<a href="#">RP MOD010A</a>	DRAWER ASSY, 27"W X 33"D X 25"H, 2DR EXTENDABLE
2	<a href="#">RP TRK05SMR</a>	DRAWER TRACK RIGHT
3	<a href="#">RP TRK05SML</a>	DRAWER TRACK LEFT
4	<a href="#">RP FRM127E</a>	DRAWER FRAME ASSEMBLY
5	<a href="#">RP FRT1004</a>	27X12 REF DWR FRONT
6	<a href="#">HD HDL130</a>	CHROME SCULPTURED HANDLE ( <a href="#">HD HDL130</a> )
7	<a href="#">RP MOD010</a>	DRAWER ASSY, W/FRONTS

# Parts List



ITEM	SERVICE PART	DESCRIPTION
1	<a href="#">RP DOR0016</a>	27x24 FREEZER DOOR HINGED LEFT
2	<a href="#">RP DOR0018</a>	27x24 FREEZER DOOR HINGED RIGHT
3	<a href="#">IN GSK1015</a>	GASKET, 22.5" X 24.5" PUSH IN
4	<a href="#">RP HDL037</a>	DOOR HANDLE
5	<a href="#">RP HNG026</a>	HINGE, STRAP L BRACKET TOP/BOTTOM
7	<a href="#">RP HNG9900</a>	HINGE ASSY, UNIVERSAL, LEFT/RIGHT
8	<a href="#">RP HNG034</a>	HINGE, TOP DOOR LH CHANNEL
9	<a href="#">RP HNG035</a>	HINGE, TOP DOOR RH CHANNEL
10	<a href="#">HD BSH050</a>	BUSHING, NYLON DOOR







# MANUEL DE L'USAGER

## RENSEIGNEMENTS IMPORTANTS À L'INTÉRIEUR. À CONSERVER POUR L'USAGER.

888-994-7636, fax 888-864-7636  
unifiedbrands.net

CE MANUEL DOIT ÊTRE CONSERVÉ AFIN DE POUVOIR S'Y RÉFÉRER PLUS TARD. VEUILLEZ LIRE, COMPRENDRE ET SUIVRE ATTENTIVEMENT LES CONSIGNES ET AVERTISSEMENTS CONTENUS DANS CE MANUEL.

**AVERTISSEMENT / POUR VOTRE SÉCURITÉ** Ne pas ranger ou utiliser du carburant ou autres vapeurs ou liquides inflammables à proximité de cet appareil ou de tout autre appareil.

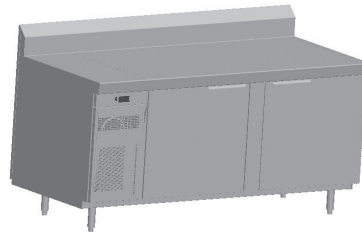
**AVERTISSEMENT Le réfrigérant inflammable R290 est utilisé.** Une installation, ajustement, modification, service ou entretien inadéquat peuvent causer des dommages matériels, des blessures corporelles, ou entraîner la mort. Veuillez lire les consignes d'installation, d'utilisation et d'entretien attentivement avant d'effectuer l'installation ou l'entretien de cet appareil.

**AVISEZ IMMÉDIATEMENT LE TRANSPORTEUR DE TOUT DOMMAGE**  
Le destinataire a la responsabilité d'inspecter le conteneur dès la réception et de déterminer la présence de tout dommage, incluant les dommages non apparents. Si vous pensez que l'appareil a été endommagé, Randell suggère de le mentionner sur le bordereau de livraison. Il est de la responsabilité du destinataire de présenter une demande d'indemnité au transporteur. Nous vous recommandons de le faire sans délai.

Pour toutes questions sur la fabrication ou le service, 888-994-7636

Ce manuel contient des informations sur l'installation, l'utilisation, l'entretien, le dépannage et le remplacement des pièces pour :

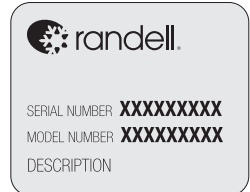
## 65372-290 CONGÉLATEUR AVEC SURFACE DE TRAVAIL AUTONOME



### IMPORTANT - À LIRE EN PREMIER

**AVIS :** À cause de son programme d'amélioration continue de produit, Randell se réserve le droit d'effectuer sans préavis des modifications à la conception et aux caractéristiques.

**AVIS :** Veuillez lire attentivement ce manuel au complet avant l'installation. Si certaines procédures recommandées ne sont pas suivies, les réclamations de garantie seront refusées.



NUMÉRO DE MODÈLE \_\_\_\_\_

NUMÉRO DE SÉRIE \_\_\_\_\_

DATE D'INSTALLATION \_\_\_\_\_

Le numéro de série se trouve dans le meuble, du côté gauche, sous la glissière du tiroir. Voir l'exemple ci-dessous.

### DESCRIPTION DE L'ÉQUIPEMENT

MODÈLE	LONGUEUR	PROFONDEUR	HAUTEUR	NOMBRE DE PORTES	RANGEMENT (PIED CUBE)	CONSUMMATION ÉLECTRIQUE (KW PAR JOUR)	COMPRESSEUR	VOLTS	AMPS	NEMA	POIDS À L'EXPÉDITION (LB)
65372-290	183 cm (72 po)	84 cm (33 po)	91,44 cm (36 po)	2	12,89	4,02	1/2	115/60/1	6,0	5-15P	250*

\* Poids avec arrière en acier inoxydable

### INSTALLATION

**AVERTISSEMENT: CET APPAREIL EST CONÇU POUR ÊTRE UTILISÉ DANS LES LABORATOIRES D'ÉTABLISSEMENTS COMMERCIAUX, INDUSTRIELS OU INSTITUTIONNELS, TEL QUE DÉFINI DANS LES NORMES DE SÉCURITÉ POUR LES SYSTÈMES DE RÉFRIGÉRATION, ASHRAE 15.**

**AVERTISSEMENT : NE PAS RESPECTER LES DIRECTIVES ET RECOMMANDATIONS LORS DE L'INSTALLATION POURRAIT INVALIDER LA GARANTIE DE VOTRE APPAREIL.**

**AVERTISSEMENT : IL EST IMPORTANT QUE VOTRE APPAREIL AIT UNE LIGNE SPÉCIFIQUE. LE GROUPE COMPRESSEUR-CONDENSEUR EST CONÇU POUR FONCTIONNER AVEC UNE FLUCTUATION DE TENSION DE PLUS OU MOINS 10% DE LA TENSION INDICQUÉE SUR L'ÉTIQUETTE DE DONNÉES DE L'APPAREIL. LA GARANTIE SERA INVALIDÉE SI LE GROUPE COMPRESSEUR-CONDENSEUR EST ENDOMMAGÉ PARCE QUE LES LIMITES DE TENSION ONT ÉTÉ DÉPASSÉES.**

LA COMMANDE DANFOSS EST MUNIE D'UNE PROTECTION CONTRE LES BAISSSES DE TENSION ET NE DISTRIBUERA PAS DE TENSION AU COMPRESSEUR SI ELLE EST INFÉRIEURE À 104V.

### SÉLECTIONNER UN EMPLACEMENT POUR VOTRE NOUVEL APPAREIL

Les facteurs suivants doivent être considérés lorsque vous sélectionnez un emplacement pour votre appareil :

1. Charge sur le plancher et le comptoir : La surface sur laquelle l'appareil va être installé doit être au niveau, ne doit pas être sujette aux vibrations, et assez résistante pour supporter le poids de l'appareil et le poids maximum de produits qui peuvent être rangés à l'intérieur.
2. Dégagements : Le dégagement à l'arrière de l'appareil doit être un total combiné d'au moins 2,54 cm (1 po). Ne placez pas d'objet qui pourrait obstruer les événements du compartiment de l'appareil. La zone autour de l'appareil doit être exempte de matières combustibles.
3. Ventilation : L'unité indépendante refroidie à l'air demande une quantité suffisante d'air frais. Évitez de placer votre appareil près d'autres appareils qui génèrent de la chaleur et placez-le à l'abri de la lumière directe du soleil. De plus, évitez de le placer dans une pièce qui n'est pas chauffée ou une pièce dont la température peut descendre sous 70° F (21°C) ou s'élever au-dessus de 86°F (32°C).



Information contained in this document is known to be current and accurate at the time of printing/creation. Reference our product line website for the most updated product information and specifications. © 2023 Electrolux Professional, Inc. All Rights Reserved.

# IMPORTANT - À LIRE EN PREMIER

## INTÉRIEUR DU PANNEAU DE L'ÉVAPORATEUR

<b>⚠ DANGER</b>	<p>RISQUE D'INCENDIE OU D'EXPLOSION. INFLAMMABLE REFRIGÉRANT UTILISÉ. NE PAS UTILISER DE DISPOSITIFS MÉCANIQUES POUR DÉGIVRER LE RÉFRIGÉRATEUR. NE FAIRE AUCUN TUBE RÉFRIGÉRANT DE PUNCTON.</p> <p><small>RISGO DE INCENDIO O EXPLOSIÓN. REFRIGERANTE INFLAMMABLE UTILIZADO. NO UTILICE DISPOSITIVOS MECÁNICOS PARA DESCONGELAR EL REFRIGERADOR. NO PERFORE LA TUBERÍA DEL REFRIGERANTE.</small></p>	<b>⚠ WARNING ALERTE</b>
	<p>DO NOT REMOVE PANEL - HIGH VOLTAGE - QUALIFIED PERSONNEL ONLY</p> <p>NE PAS RETIRE LE PANNEAU - HAUTE TENSION - PERSONNEL QUALIFIÉ SEULEMENT</p> <p>NO RETIRE EL PANEL - ALTA TENSION - CALIFICADO PERSONAL</p>	<b>⚠ CAUTION ATTENTION</b>
	<p>MOVING PARTS. DO NOT OPERATE WITH COVER REMOVED</p> <p>PIÈCES MOBILES NE PAS FAIRE FONCTIONNER SANS COUVERCLE</p> <p>LAS PIEZAS DE MOVIMIENTO NO FUNCIONAN CON LA CUBIERTA RETIRADA</p>	

## EXTÉRIEUR DE L'APPAREIL

<b>⚠ CAUTION</b>	<p>RISQUE DE FIRE OR EXPLOSION. DISPOSE OF PROPERLY IN ACCORDANCE WITH FEDERAL OR LOCAL REGULATIONS. FLAMMABLE REFRIGERANT USED.</p> <p><small>RISGO DE INCENDIO O EXPLOSIÓN. DESECHÉLO ADECUADAMENTE CONFORME A REGLAMENTOS FEDERALES O LOCALES. REFRIGERANTE INFLAMMABLE UTILIZADO.</small></p>	<p>MISE EN GARDE RISQUE D'INCENDIE OU D'EXPLOSION. ÉLIMINER CORRECTEMENT CONFORMÉMENT AUX RÉGLEMENTATIONS FÉDÉRALES OU LOCALES. REFRIGÉRANT INFLAMMABLE UTILISÉ.</p>
------------------	---	--

## PRÈS DU TUYAU RÉFRIGÉRANT APPARENT

<b>⚠ CAUTION</b>	<p>RISQUE DE FIRE OR EXPLOSION DUE TO PUNCTURE OF REFRIGERANT TUBING; FOLLOW HANDLING INSTRUCTIONS CAREFULLY. FLAMMABLE REFRIGERANT USED.</p> <p><small>RISGO DE INCENDIO O EXPLOSIÓN DEBIDO A LA PERFORACIÓN DE LA TUBERÍA DE REFRIGERANTE; SIGA CUIDADOSAMENTE LAS INSTRUCCIONES DE MANEJO. REFRIGERANTE INFLAMMABLE UTILIZADO.</small></p>	<p>MISE EN GARDE RISQUE D'INCENDIE OU D'EXPLOSION EN RAISON DE LA PERFORATION DU TUBE RÉFRIGÉRANT. SUIVEZ ATTENTIVEMENT LES INSTRUCTIONS DE MANIPULATION. REFRIGÉRANT INFLAMMABLE UTILISÉ.</p>
------------------	---	--

## PRÈS DU COMPARTIMENT DE LA MACHINE ET DE LA PLAQUE SIGNALÉTIQUE

<b>⚠ DANGER</b>	<p>RISQUE DE FIRE OR EXPLOSION. FLAMMABLE REFRIGERANT USED. TO BE REPAIRED ONLY BY TRAINED SERVICE PERSONNEL. DO NOT PUNCTURE REFRIGERANT TUBING.</p> <p><small>PELIGRO RISGO DE INCENDIO O EXPLOSIÓN. REFRIGERANTE INFLAMMABLE UTILIZADO. DEBE SER REPARADO SOLAMENTE POR PERSONAL DE SERVICIO CAPACITADO. NO PERFORE LA TUBERÍA DEL REFRIGERANTE.</small></p>	<p>DANGER RISQUE D'INCENDIE OU D'EXPLOSION. INFLAMMABLE UTILISÉ. POUR ÊTRE RÉPARÉ QUE PAR UN TECHNICIEN QUALIFIÉ. NE PAS PERFORER LE TUBE RÉFRIGÉRANT.</p>
<b>⚠ CAUTION</b>	<p>RISQUE DE FIRE OR EXPLOSION. FLAMMABLE REFRIGERANT USED. CONSULT REPAIR MANUAL / OWNER'S GUIDE BEFORE ATTEMPTING TO INSTALL OR SERVICE THIS PRODUCT. ALL SAFETY PRECAUTIONS MUST BE FOLLOWED.</p> <p><small>RISGO DE INCENDIO O EXPLOSIÓN. REFRIGERANTE INFLAMMABLE UTILIZADO. CONSULTE EL MANUAL DE REPARACIÓN / MANUAL DEL USUARIO ANTES DE INSTALAR O REPARAR ESTE PRODUCTO. DEBEN SEGUIRSE LAS PRECAUCIONES DE SEGURIDAD.</small></p>	<p>MISE EN GARDE RISQUE D'INCENDIE OU D'EXPLOSION. REFRIGÉRANT INFLAMMABLE UTILISÉ. CONSULTER LE MANUEL DE RÉPARATION / GUIDE DE L'UTILISATEUR AVANT D'ESSAYER D'INSTALLER OU DE RÉPARER CE PRODUIT. TOUTES LES PRÉCAUTIONS DOIVENT ÊTRE RESPECTÉES.</p>

## LISTE DE VÉRIFICATION POUR L'INSTALLATION

Après avoir déterminé l'emplacement de l'appareil, référez-vous à la liste de vérification suivante avant de commencer :

1. Assurez-vous que les conduites de réfrigération apparentes ne sont pas déformées, bosselées, et qu'elles ne frottent pas les unes contre les autres.
2. Assurez-vous que les ventilateurs du condenseur et de l'évaporateur tournent librement, sans heurter des pièces fixes.
3. L'appareil doit être de niveau; assurez-vous que toutes les pattes ou roulettes sont en contact avec le sol et que la surface de travail est toujours au niveau. Si le plancher n'est pas au niveau, ajustez la hauteur des pattes ou calez les roulettes. REMARQUE : L'appareil pourrait subir des dommages si les consignes ne sont pas suivies. Randell n'est pas responsable des dommages à l'appareil s'il n'est pas installé correctement.
4. Laissez l'appareil refroidir à la température désirée. Si vous devez ajuster la température, la commande se trouve sur le panneau avant. Assurez-vous que la température de l'appareil est constante.
5. Le numéro de série se trouve au début du manuel. Veuillez enregistrer l'information à la page 25 de votre manuel avant de continuer. Il est nécessaire pour commander des pièces de remplacement ou demander un service de garantie.
6. Avant de ranger de la nourriture, laissez votre appareil fonctionner pendant environ deux (2) heures pour permettre à l'intérieur de l'appareil d'atteindre la température d'entreposage.
7. Assurez-vous que le tiroir glisse librement et s'ouvre complètement, et qu'il se ferme correctement dans le meuble.

## ALIMENTATION ÉLECTRIQUE

Le câblage doit être effectué par un électricien compétent, conformément aux codes nationaux et locaux d'électricité. Une prise de courant correctement câblée et mise à la terre assure un bon fonctionnement. Voir l'étiquette de données apposée sur le compresseur pour déterminer les besoins électriques. Les besoins en tension d'alimentation et d'intensité de courant sont situés sur l'étiquette du numéro de série (voir la page 25 pour l'emplacement).

## UTILISATION

Laissez l'appareil fonctionner pendant environ deux (2) heures avant de ranger de la nourriture.

## CONDITIONS AMBIANTES

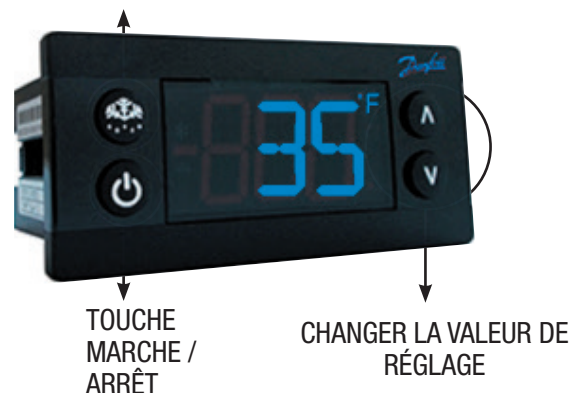
L'appareil est conçu pour fonctionner à des températures entre 0° F (21°C) - 86°F (32°C). S'il n'est pas utilisé dans les limites de ces températures, l'appareil pourrait s'user ou tomber en panne prématurément.

Randell a tenté de préréglager la commande de température pour s'assurer que votre appareil fonctionne à la température optimale, cependant, en raison des conditions ambiantes, incluant l'altitude, le type d'aliments et l'utilisation, il est possible que vous deviez ajuster la température requise en utilisant le réglage de la commande.

## FONCTIONNEMENT DE LA COMMANDE DANFOSS

DEL	FUNCTION
	Compresseur en marche & ventilateur de l'évaporateur hors tension
	Dégivrage en cours
	Ventilateurs hors tension jusqu'à la fin du cycle de dégivrage
	Ventilateur de l'évaporateur en marche
	Une alarme est activée
°C / °F	Unité de température

## DÉGIVRAGE MANUEL



**TOUCHE MARCHÉ / ARRÊT :** Appuyer sur la touche de mise en marche jusqu'à ce que l'écran DEL s'allume ou s'éteigne.

**DÉGIVRAGE MANUEL :** Appuyer sur la touche « Dégivrage »

**CHANGER LA VALEUR DE RÉGLAGE :** Pour augmenter la température

1. Appuyer sur « Λ » pour accéder la valeur de réglage
2. Lorsque la valeur clignote, appuyer sur « Λ » pour ajuster la valeur désirée
3. Après 30 secondes, l'écran affiche automatiquement la température actuelle

**CHANGER LA VALEUR DE RÉGLAGE :** Pour abaisser la température

1. Appuyer sur « v » pour accéder la valeur de réglage
2. Lorsque la valeur clignote, appuyer sur « v » pour ajuster la valeur désirée
3. Après 30 secondes, l'écran affiche automatiquement la température actuelle

**CHANGER DE °F / °C :**

1. Appuyer sur les touches haut / bas en même temps pendant 5 secondes pour accéder au menu.
2. Un mot de passe est nécessaire. Le mot de passe est 000.
3. Appuyer sur la touche inférieure gauche pour Confirmer le mot de passe.
4. En utilisant les touches haut / bas, naviguer jusqu'au niveau « diS ». Appuyer sur la touche inférieure gauche pour Confirmer la sélection.
5. En utilisant les touches haut / bas, naviguer jusqu'au niveau « CFu ». Appuyer sur la touche inférieure gauche pour Confirmer la sélection.
  - a. « -F » indique les degrés Fahrenheit.
  - b. « C » indique les degrés Celsius.
6. Appuyer sur la touche supérieure gauche à plusieurs reprises pour quitter et retourner à l'écran d'accueil.

## ENTRETIEN

**WARNING: NE PAS UTILISER D'USTENSILES ET / OU D'OBJETS TRANCHANTS.**

**WARNING: NE PAS UTILISER DES TAMPONS À RÉCURER, DES BROSSES MÉTALLIQUES, DES GRATTOIRS, OU DES NETTOYANTS AU CHLORURE POUR NETTOYER L'ACIER INOXYDABLE.**

**MISE EN GARDE ! : NE PAS UTILISER DE SOLVANTS DÉTACHANTS ABRASIFS, ET NE JAMAIS UTILISER D'ACIDE HYDROCHLORIQUE (ACIDE MURIATIQUE) SUR L'ACIER INOXYDABLE.**

**WARNING: NE PAS UTILISER UNE MACHINE DE LAVAGE À HAUTE PRESSION, VOUS POURRIEZ ENDOMMAGER LES COMPOSANTS ÉLECTRIQUES.**

Randell recommande fortement un programme d'entretien préventif qui comprend les procédures Mensuelles suivantes :

### MONTHLY PROCEDURES

1. Nettoyer les pales de ventilateur du groupe compresseur-condenseur et de l'évaporateur.
2. Nettoyer tous les joints d'étanchéité au moins une fois par semaine (tous les jours de préférences) avec une solution d'eau tiède et d'un détergent doux pour prolonger la vie des joints.
3. Lubrifier les charnières de porte avec de la graisse au lithium.

LES PRODUITS NETTOYANTS SUIVANTS SONT RECOMMANDÉS POUR L'ACIER INOXYDABLE :

JOB	PRODUIT NETTOYANT	COMMENTS
Nettoyage périodique	Savon, ammoniac, détergent Medallion	Utiliser une éponge ou un linge
Les empreintes et les taches	Arcal 20, Lac-O-Nu, Ecoshine	Procure une couche protectrice
Taches tenaces et décoloration	Cameo, Talc, Zud, First Impression	Frotter dans la direction des lignes de polissage
Acides gras, sang, aliments brûlés	Easy-Off, Degrease It, Oven Aid	Excellent détachant pour tous les finis
Graisse et huile	Tout bon détergent commercial	Utiliser une éponge ou un linge
Restauration / protection	Benefit, Super Sheen	Utilisation mensuelle recommandée

Référence: Nickel Development Institute, Diversey Lever, Savin, Ecolab, NAFEM

Un bon entretien de l'appareil est essentiel pour éviter des réparations coûteuses. En vérifiant chacun des appareils de façon régulière, vous pouvez souvent déceler et réparer des petits problèmes, avant qu'ils ne causent une panne importante et engendrent des coûts supplémentaires pour votre entreprise.

Pour plus d'information sur la maintenance préventive, consultez une entreprise locale ou un membre du CFESA. La plupart des entreprises de réparation offrent ce service à un prix raisonnable, cela vous permet de concentrer plus de temps à votre entreprise tout en sachant que votre appareil sera en bonne condition tout au long de sa durée de vie prévue. Ces services offrent souvent des garanties et une plus grande souplesse pour s'adapter à votre horaire pour effectuer l'entretien. Pour une liste complète des ASA de Randell, veuillez visiter notre site [www.unifiedbrands.net](http://www.unifiedbrands.net).

Randell croit en la qualité des produits qu'il fabrique, c'est pourquoi il offre une des meilleures garanties de l'industrie. Nous croyons qu'avec un entretien et une utilisation appropriés, votre investissement sera rentable et que vous allez pouvoir en profiter pendant plusieurs années.

## PIÈCES DE RECHANGE

Pour commander des pièces, contactez votre agent de service autorisé. Fournir la désignation du modèle, le numéro de série, la quantité de numéro de pièce de description et, le cas échéant, la tension et la phase.

## CONTACTEZ-NOUS

Si vous avez des questions concernant le contenu dans le contact manuel Randell à.

## DÉPANNAGE

Cet appareil est conçu pour fonctionner de façon optimale et efficace s'il est convenablement entretenu. Cependant, si vous rencontrez des problèmes, voici une liste de vérification à effectuer. Les schémas de câblage se trouvent à la fin du manuel. En cas de doute, éteindre l'appareil et appeler le 888-994-7636 pour obtenir du service.

SYMPTOM	CAUSE POSSIBLE	PROCÉDURES
L'appareil ne fonctionne pas	L'appareil n'est pas alimenté	Brancher l'appareil
	Commande à la position ARRÊT	Allumer la commande
	Commande défectueuse	Appelez le 888-994-7636 pour du service
Appareil trop froid	Valeur de réglage incorrecte	Régler la valeur de réglage de la commande
Appareil trop chaud	Porte / tiroir entrouvert	S'assurer que la porte / tiroir est bien fermé
	Joint d'étanchéité déchiré ou déplacé	Vérifier l'usure et la position du joint d'étanchéité
	Valeur de réglage incorrecte	Régler la valeur de réglage de la commande
	Des produits chauds sont rangés dans le meuble	Prérefroidir le produit à 37°F ou 3°C avant de la placer au congélateur
	Glace sur le serpentín	Lancer un dégivrage manuel
Appareil bruyant	Glace sur le serpentín	Lancer un dégivrage manuel
Le cycle de dégivrage ne fonctionne pas	Grande quantité de glace sur le serpentín	Lancer un dégivrage manuel

## DANFOSS

ALARM CODE	ALARM	ACTION
Hi	Alarme à haute température	Vérifier l'étanchéité de la porte / du tiroir
		Contact service
Lo	Alarme basse température	Contact service
CON	Limite élevée de température condensateur	Nettoyer le serpentín du condenseur
		Inspecter la bobine pour détecter toute obstruction empêchant la circulation de l'air
		Contact service
uHi	Tension de ligne trop élevée	Vérifier la tension des sources d'alimentation, à effectuer par un technicien qualifié
		Contact service
uLi	Tension de ligne trop basse	Vérifier que la tension de source d'alimentation, à être effectuée par un technicien qualifié
		Contact service
LEA	Runtime continu du compresseur	Vérifier l'étanchéité de la porte / du tiroir
		Inspecter le serpentín du condenseur, nettoyer si nécessaire
		Contact service
E01	S1 défaillance du capteur	Contact service
E02	S2 défaillance du capteur	Contact service
E03	S3 défaillance du capteur	Contact service
E04	S4 défaillance du capteur	Contact service

## ENTRETIEN

**MISE EN GARDE ! : LES COMPOSANTS DOIVENT ÊTRE REMPLACÉS PAR DES COMPOSANTS IDENTIQUES. LES TRAVAUX D'ENTRETIEN DOIVENT ÊTRE EFFECTUÉS PAR DU PERSONNEL D'ENTRETIEN AUTORISÉ POUR MINIMISER LES RISQUES D'INFLAMMATION CAUSÉE PAR DES PIÈCES DE MAUVAISE QUALITÉ OU UN MAUVAIS ENTRETIEN.**

**MISE EN GARDE ! : AVANT D'EFFECTUER DES RÉPARATIONS, ASSUREZ-VOUS QUE LES UNITÉS SONT DISCONNECTÉES DE SES SOURCES D'ÉNERGIE.**

Cet appareil utilise un système de réfrigération R290. Le type de réfrigérant utilisé est clairement indiqué sur l'étiquette du numéro de série de l'appareil. De plus, des étiquettes de mise en garde indique que l'appareil contient du réfrigérant R290. R290 est sûr à utiliser tant que vous suivez ces étiquettes d'avertissements.

Ne pas fumer ou utiliser une flamme nue lors de l'entretien de l'appareil. Au besoin, utiliser un extincteur à CO2 ou à poudre chimique

Seul un technicien d'entretien autorisé, certifié pour le système R290, doit effectuer l'entretien sur cet équipement.

Ne pas fumer ou utiliser une flamme nue lors de l'entretien de l'appareil. Au besoin, utiliser un extincteur à CO2 ou à poudre chimique

Seul un technicien d'entretien autorisé, certifié pour le système R290, doit effectuer l'entretien sur cet équipement.

### ENSEMBLE DE JAUGE DE RÉFRIGÉRATION

Un ensemble de jauge de réfrigération R134A peut être utilisé pour l'entretien de l'appareil.

### RÉCUPÉRATION DES RÉFRIGÉRANTS

Suivre la réglementation nationale et locale pour la récupération du réfrigérant R290.

### VÉRIFIER POUR ET RÉPARER LES FUITES

Vérifier pour des fuites du système R290 de la même façon que pour les systèmes R134A ou R404A, avec les exceptions suivantes.

1. Ne pas utiliser une lampe haloïde pour le système R290.
2. Le détecteur électronique de fuites doit être spécialement conçu pour le gaz combustible.

Vous pouvez utiliser une solution à bulles ou un détecteur de fuites par ultrasons.

Lorsque vous réparez une fuite, il est recommandé d'utiliser un azote sec exempt d'oxygène avec une trace de gaz inférieure à 200 PSI.

Lorsque vous accédez au système R290, les robinets vannes ne doivent pas être installés sur l'appareil de façon permanente. Après avoir récupéré le gaz réfrigérant, des vannes Schrader doivent être installées sur les montants d'entretien. La quantité de gaz doit être mesurée avant d'être insérée dans le système, vous devez ensuite vérifier le système pour des fuites.

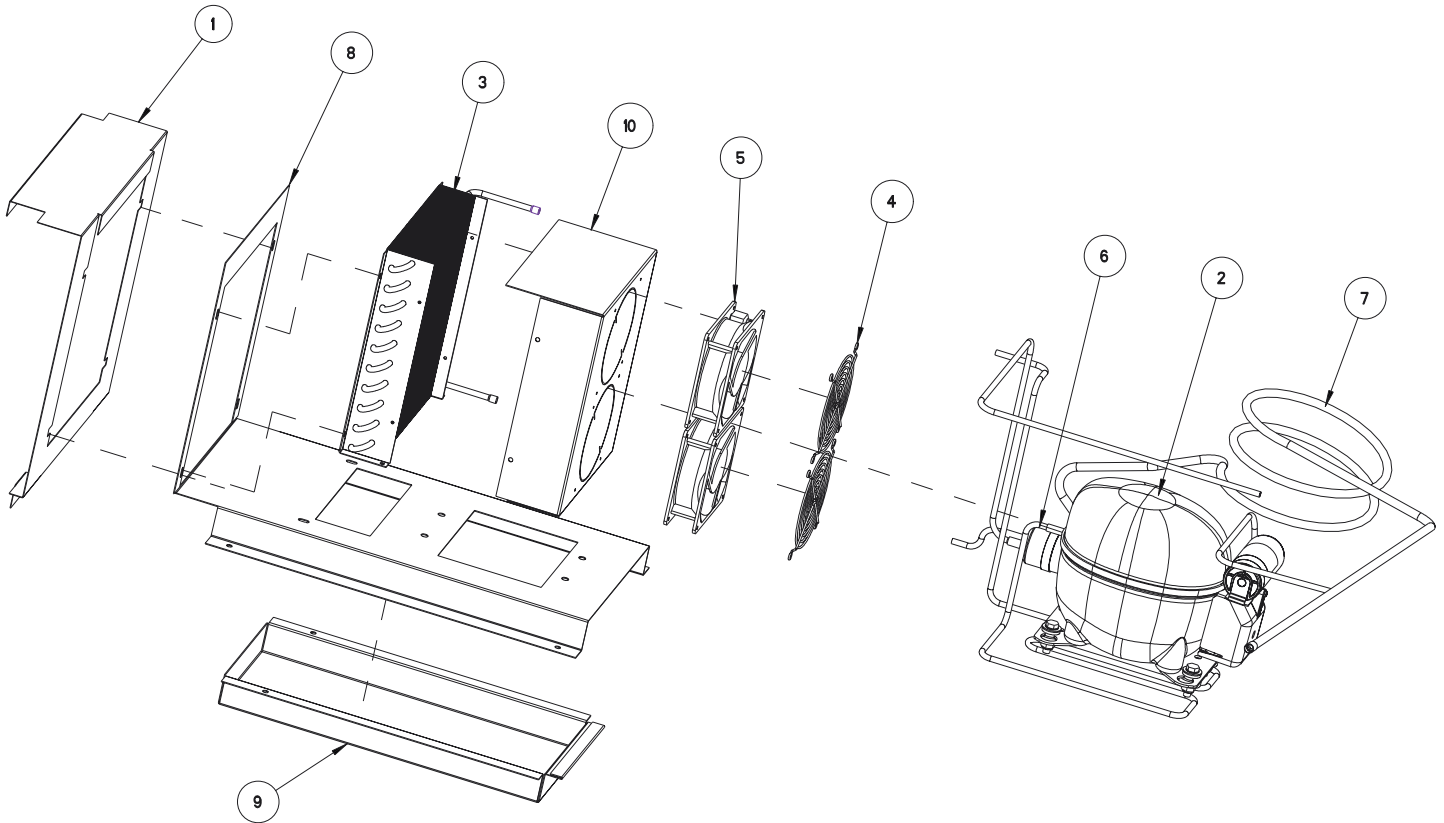
Les tubes d'entretien de l'équipement du R290, et les autres dispositifs utilisés pour l'entretien du gaz réfrigérant, comme les ports de service, doivent être rouges. Ce marquage de couleur doit demeurer sur l'appareil. Si le marquage est effacé, il doit être remplacé et prolongé au moins jusqu'à 2,5 cm (1 po) du compresseur.

### REMETTRE DU GAZ

Utiliser la quantité de gaz précisée sur l'étiquette de données. Il est recommandé d'utiliser les tuyaux les plus courts possible pour vous assurer d'utiliser la bonne quantité.

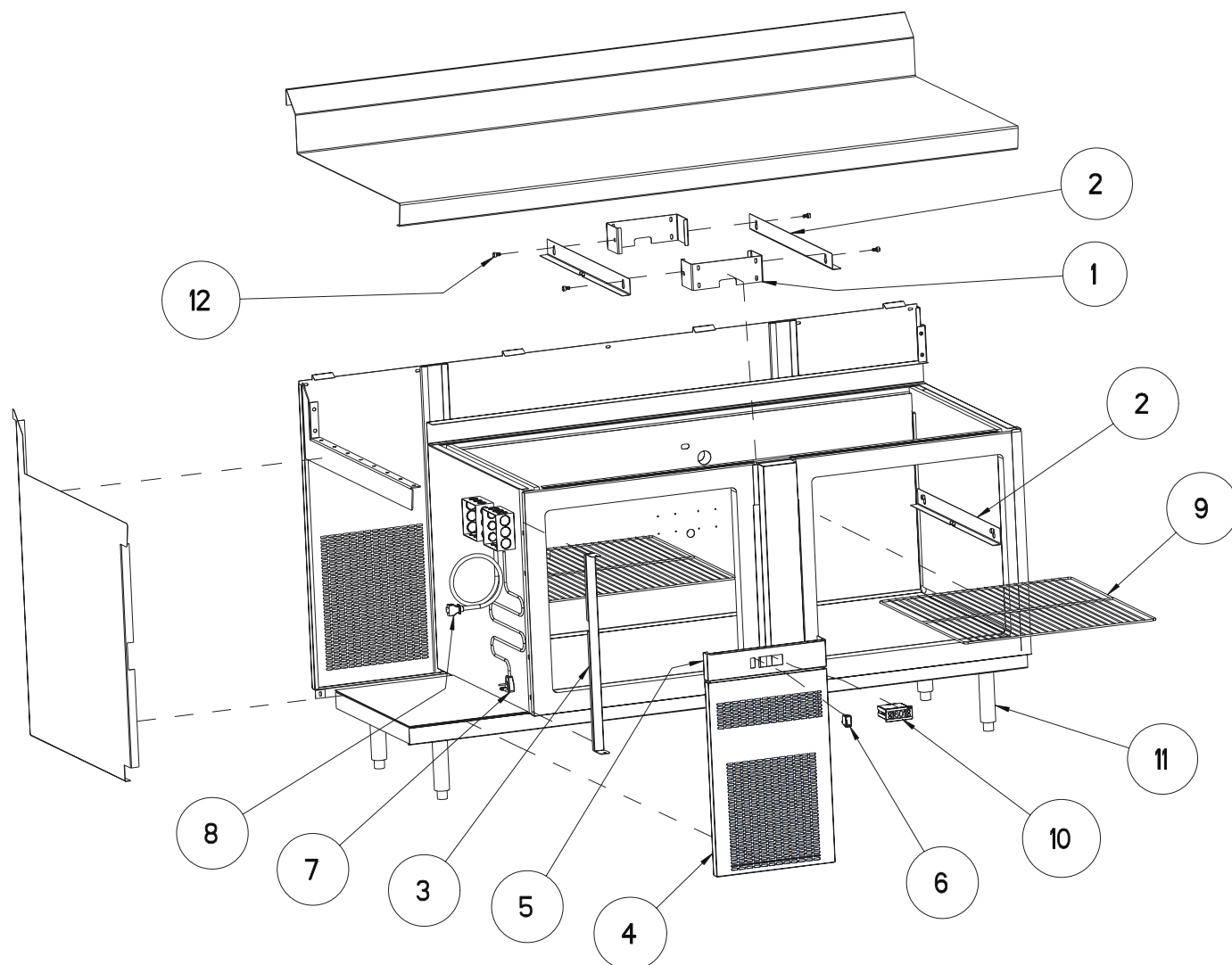
- S'assurer que le système est étanche et qu'il n'y a pas de fuites
- Vidanger le système à un minimum de 500 micromètres
- Mesurer la bonne quantité de gaz
- S'assurer que le système de fuit pas
- Purger le gaz réfrigérant de la partie supérieure du tuyau vers la partie inférieure tuyau
- Débrancher les tuyaux
- Enlever les prises de ligne

# Liste des pièces



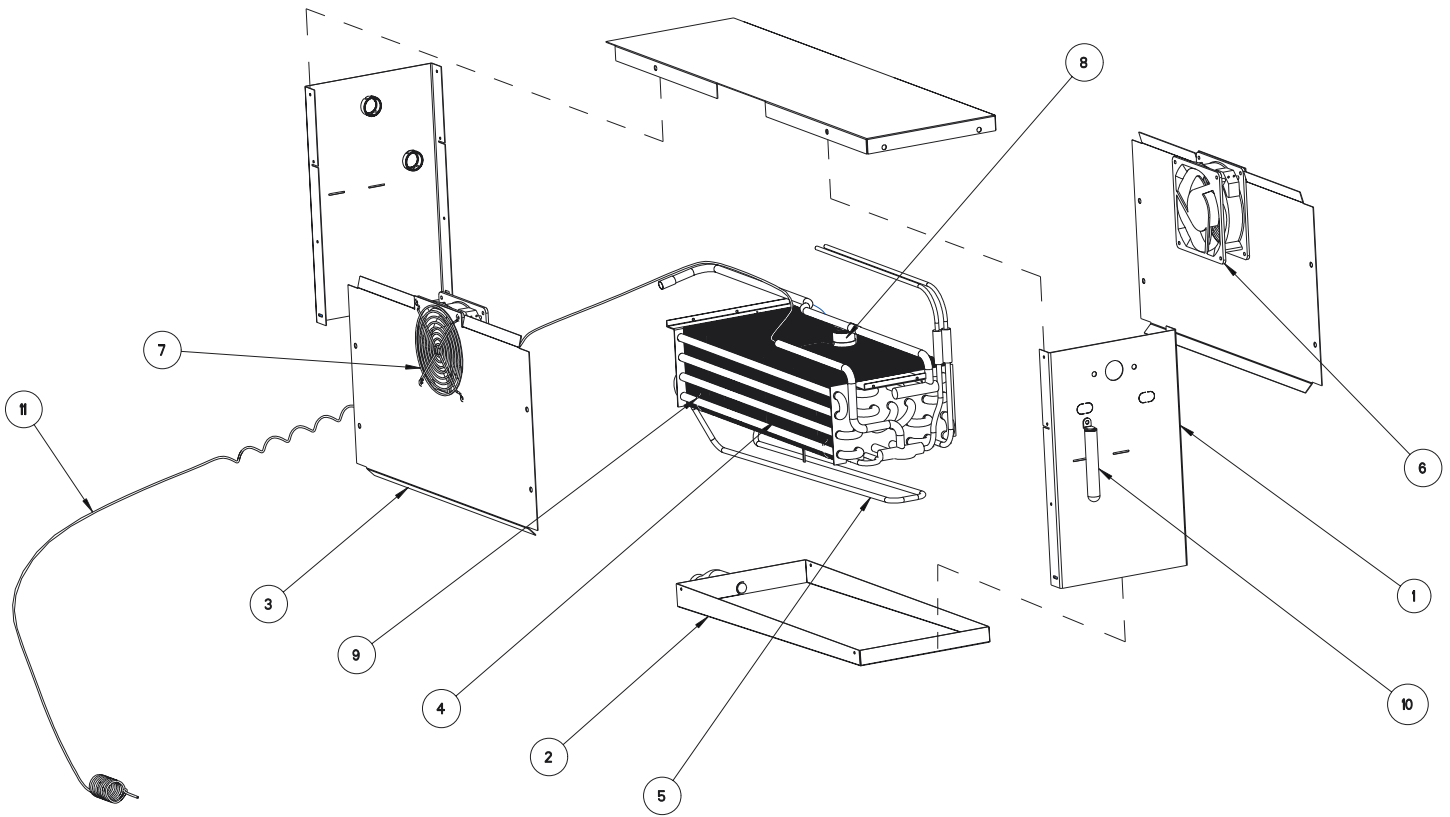
ITEM	PIÈCE DE RECHANGE	DESCRIPTION
1	<a href="#">RP SHD1705</a>	COUVERCLE DU GROUPE COMPRESSEUR-CONDENSEUR, 65372
2	<a href="#">RF CMP1607</a>	COMPRESSEUR EMBRACO, 1/2HP R290 115V NEU2140U
2a	<a href="#">RF CMP1607SC</a>	COMPOSANTS DE DÉMARRAGE DU COMPRESSEUR EMBRACO, 1/2HP NEU2140U
3	<a href="#">RF COI1603</a>	SERPENTIN DU CONDENSEUR
4	<a href="#">RF FAN0703</a>	GRILLE DE PROTECTION, FIL EN NICKEL-CHROME, ROND, 116MM
5	<a href="#">RF FAN1401</a>	VENTILATEUR AXIAL DU CONDENSEUR, 119MM X 38MM
6	<a href="#">RF FLT9902</a>	FILTRE DE SÉCHOIR 0,64 CM (1/4 PO) X 0,042ID - 032 À DOUBLES OÙIES
7	<a href="#">RP WRP1703</a>	ENVELOPPE DU TUYAU DE L'ÉCHANGEUR DE CHALEUR, 0,042ID X 10 PI
8	<a href="#">RP MNT1701</a>	BÂTI DU COMPRESSEUR
9	<a href="#">RP CPN1701</a>	BAC DE VIDANGE DU COMPRESSEUR
10	<a href="#">RP SHD1702</a>	COUVERCLE DU VENTILATEUR - 65348/65360/65372

# Liste des pièces



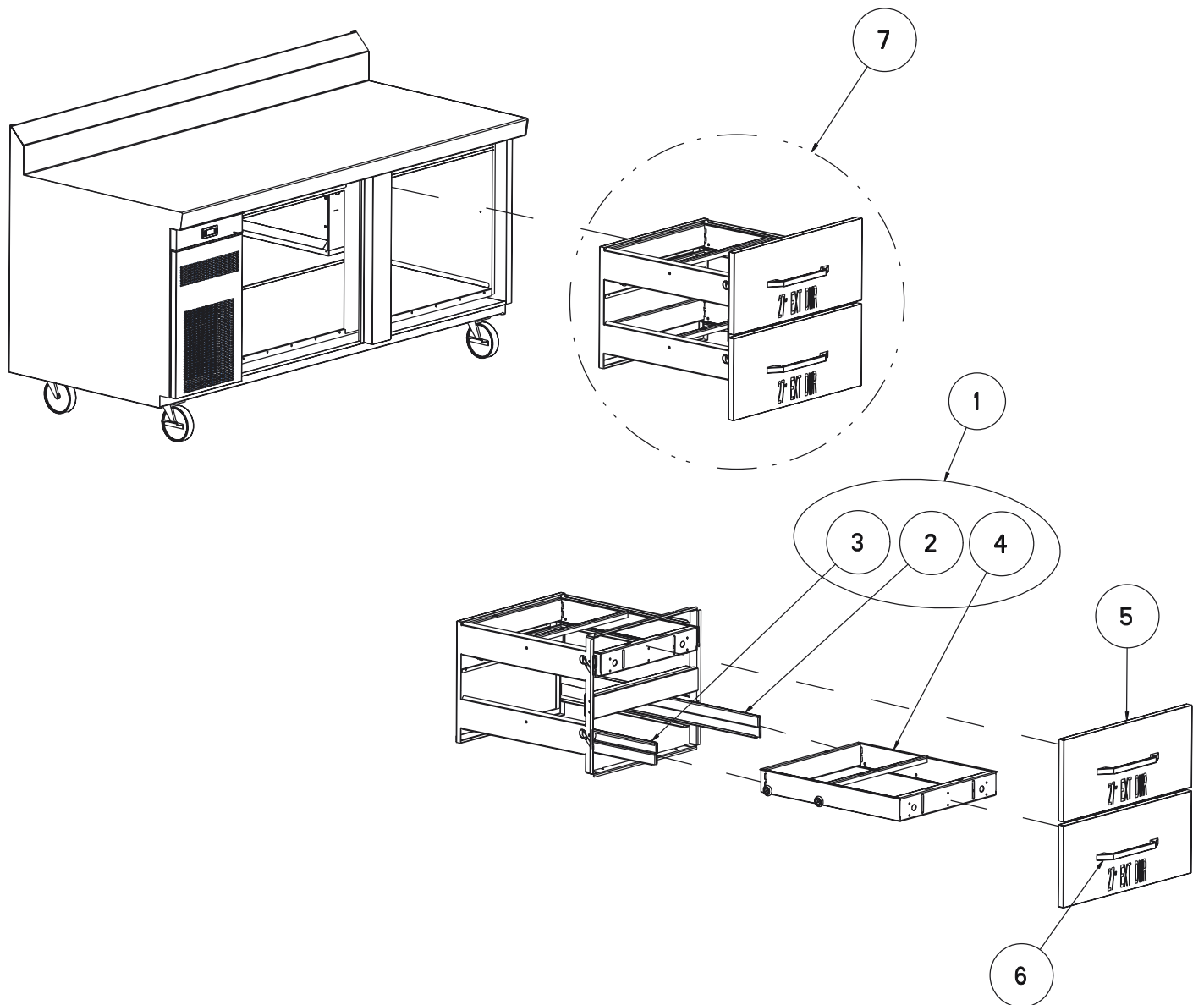
ITEM	PIÈCE DE RECHANGE	DESCRIPTION
1	<a href="#">RP SPT1705</a>	SUPPORT DE CLAYETTE DU MONTANT INTERMÉDIAIRE CENTRAL
2	<a href="#">RP SPT007</a>	SUPPORTS DE CLAYETTE INTÉRIEURS
3	<a href="#">RP BRK1515</a>	SUPPORT DE MONTAGE DE LA CHARNIÈRE DROITE DE LA PERSIENNE
3A	<a href="#">RP BRK1516</a>	SUPPORT DE MONTAGE DE LA CHARNIÈRE GAUCHE DE LA PERSIENNE
4	<a href="#">RP LVR1705</a>	PERSIENNE DU COMPRESSEUR
5	<a href="#">RP PNL1706</a>	SUPPORT SUPÉRIEUR DE LA PERSIENNE
6	<a href="#">EL SWT1701</a>	BOUTON À BASCULE, 125-250V, 10,1A
7	<a href="#">EL WIR461-90</a>	CORDON D'ALIMENTATION, IEC320 10A FEMELLE À 5-15P 90 LATÉRAL, 16-3 SJ*0
8	<a href="#">EL WIR469A</a>	CORDON D'ALIMENTATION 20A, 9 PI 12GA SJO 000461-12
9	<a href="#">HD SHL180</a>	CLAYETTE, 56,2 CM X 64,1 CM (22 1/8 PO X 25 1/4 PO)
10	<a href="#">RP CNT1703</a>	DANFOSS, N° DE PIÈCE ERC112C
11	<a href="#">HD LEG9901</a>	PATTE, 15,24 CM (6 PO)
12	<a href="#">HD PIN001</a>	GOUPILLE DU SUPPORT DE CLAYETTE

# Liste des pièces



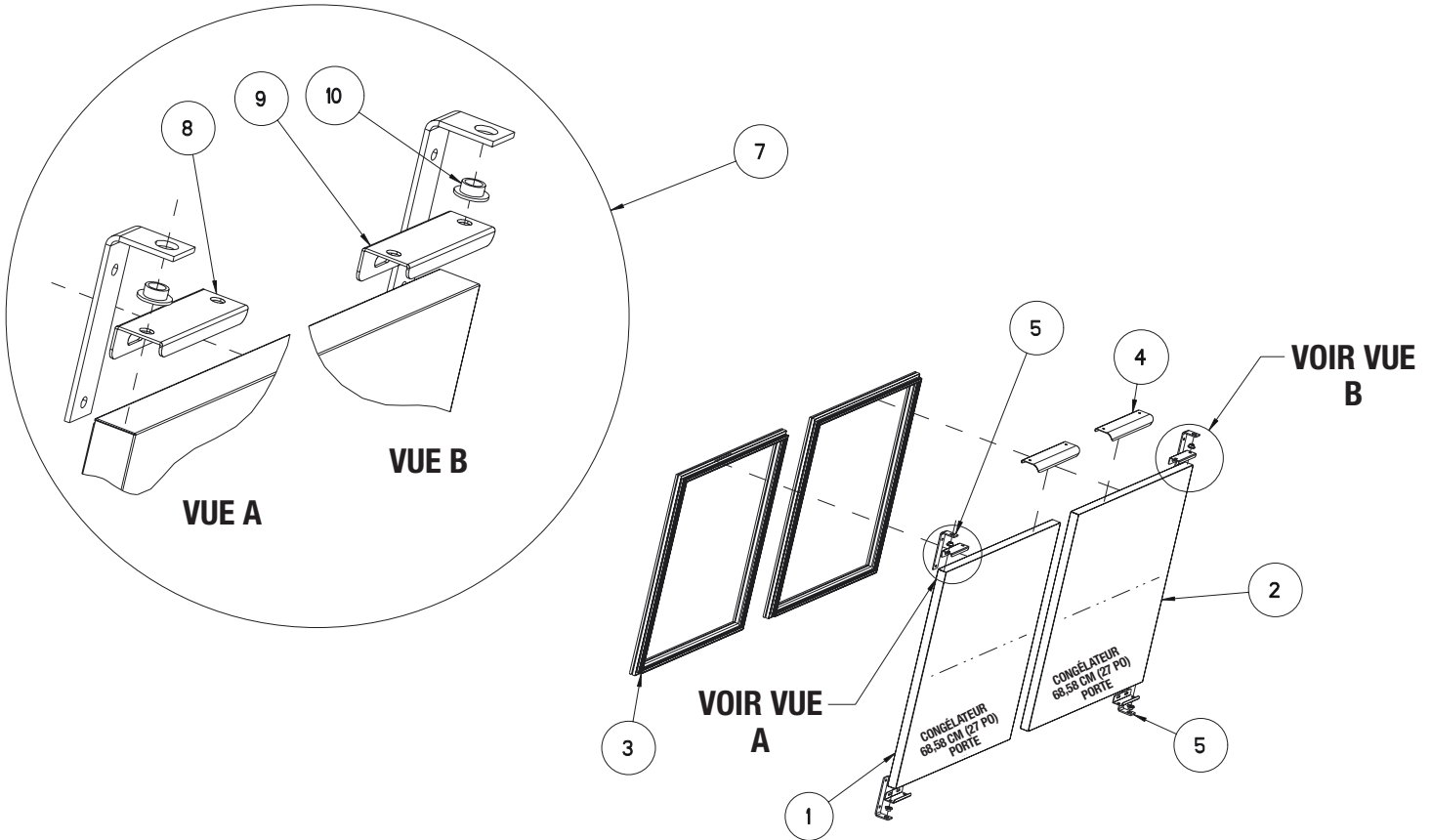
ITEM	PIÈCE DE RECHANGE	DESCRIPTION
1	<a href="#">RP PNL1704</a>	PANNEAU AVANT DU SERPENTIN
2	<a href="#">RP DRP1701</a>	BAC D'ÉCOULEMENT S/S DU SERPENTIN DU CONGÉLATEUR
3	<a href="#">RP SHD1703</a>	COUVERCLE LATÉRAL DU SERPENTIN
4	<a href="#">RF COI9905</a>	MONTANT INTERMÉDIAIRE, 10 X 19 X 53,34 CM (4 X 7,5 X 21 PO)
5	<a href="#">EL ELM9904</a>	ÉLÉMENT DE DÉGIVRAGE, 120V, 400W, MONTANT INTERMÉDIAIRE DU CONGÉLATEUR 65000
6	<a href="#">RF FAN1401</a>	VENTILATEUR AXIAL, 119MM X 38MM (QTÉ 2)
7	<a href="#">RF FAN0703</a>	GRILLE DE PROTECTION, FIL EN NICKEL-CHROME, ROND, 116MM (QTÉ 2)
8	<a href="#">RF TRM0501</a>	THERMODISQUE À 2 FILS, OUVERT : 70 FERMÉ : 50 SEO-70-T17
9	<a href="#">RF HTR145</a>	PINCE DE RETENUE DE L'ÉLÉMENT DE DÉGIVRAGE (QTÉ 2)
10	<a href="#">HD THR100</a>	THERMOMÈTRE SUSPENDU DE 10 CM (4 PO), HB-120L
11	<a href="#">RP WRP1703</a>	ENVELOPPE DE L'ÉCHANGEUR DE CHALEUR, 65348-290, 0,042 X 10
13	<a href="#">RF CNT1602</a>	THERMISTANCE DE LA SONDÉ DE TEMPÉRATURE QTI, NOIRE, 10 PI
14	<a href="#">RF CNT1603</a>	THERMISTANCE DE LA SONDÉ DE TEMPÉRATURE QTI, NOIRE, 10 PI

# Liste des pièces



ITEM	PIÈCE DE RECHANGE	DESCRIPTION
1	<a href="#">RP MOD010A</a>	TIROIR, 2 PORTES, TÉLESCOPIQUE, 68,58 CM (27 PO) L X 84 CM (33 PO) P X 63,5 CM (25 PO) H
2	<a href="#">RP TRK05SMR</a>	GLISSIÈRE DROITE DU TIROIR
3	<a href="#">RP TRK05SML</a>	GLISSIÈRE GAUCHE DU TIROIR
4	<a href="#">RP FRM127E</a>	CADRE DU TIROIR
5	<a href="#">RP FRT1004</a>	DEVANT DU TIROIR, 27X12
6	<a href="#">HD HDL130</a>	POIGNÉE SCULPTÉE CHROMÉE ( <a href="#">HD HDL130</a> )
7	<a href="#">RP MOD010</a>	TIROIR AVEC LE DEVANT ASSEMBLÉ

# Liste des pièces



ITEM	PIÈCE DE RECHANGE	DESCRIPTION
1	<a href="#">RP DOR0016</a>	PORTE À CHARNIÈRE GAUCHE DU CONGÉLATEUR, 27x24
2	<a href="#">RP DOR0018</a>	PORTE À CHARNIÈRE GAUCHE DU CONGÉLATEUR, 27x24
3	<a href="#">IN GSK1015</a>	JOINT D'ÉTANCHÉITÉ À EMBOÎTEMENT, 57,15 CM (22,5 PO) X 62,2 CM (24,5 PO)
4	<a href="#">RP HDL037</a>	POIGNÉE DE PORTE
5	<a href="#">RP HNG026</a>	SUPPORTS SUPÉRIEUR ET INFÉRIEUR EN L DE LA CHARNIÈRE
7	<a href="#">RP HNG9900</a>	CHARNIÈRE UNIVERSELLE, GAUCHE ET DROITE
8	<a href="#">RP HNG034</a>	SUPPORT DE CHARNIÈRE SUPÉRIEUR, PORTE GAUCHE
9	<a href="#">RP HNG035</a>	SUPPORT DE CHARNIÈRE SUPÉRIEUR, PORTE DROITE
10	<a href="#">HD BSH050</a>	DOUILLE DE PORTE EN NYLON

# Schéma électrique

ALIMENTATION  
115V – 60HZ – 1PH  
CORDE AVEC  
MISE À LA TERRE  
NEMA # 5-15P

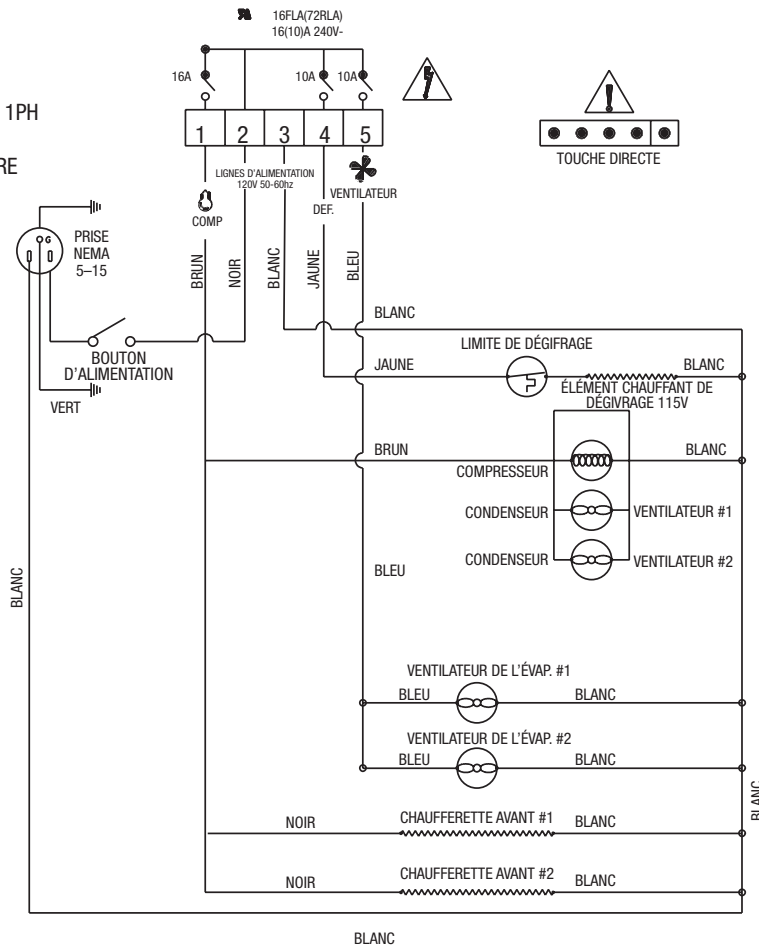


SCHÉMA ÉLECTRIQUE  
CONGÉLATEUR, MODÈLES 65000  
COMMANDE DANFOSS ERC112C  
115V AVEC FONCTIONS DU VENTILATEUR

