

REPLACEMENT PARTS FOR INDOOR DUCT FURNACES

MODELS EEDU AND HEEDU

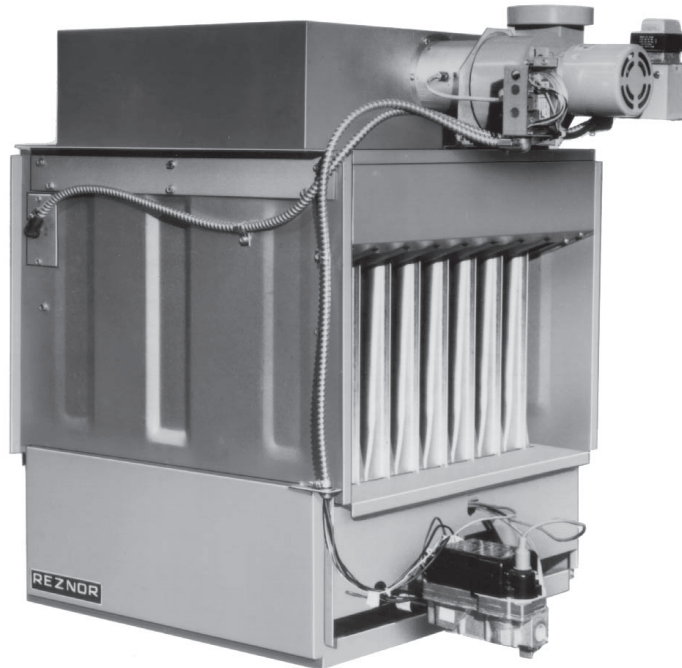


TABLE OF CONTENTS

REFERENCES.....	2
SERIAL NUMBER.....	2
CABINET COMPONENTS.....	4
FLUE COLLECTION BOX AND VENTER ASSEMBLY COMPONENTS.....	5
HEAT EXCHANGER COMPONENTS	7
HEAT EXCHANGER BAFFLE ASSEMBLY	8
BURNER COMPONENTS	9
PILOT REPLACEMENT KITS.....	10
IGNITION CONTROLLERS	12
ACCESSORIES/OPTIONS	12

IMPORTANT

1. Always include complete model and serial number so that any specification change can be considered for parts replacement. It can save time and expense.
2. In keeping with our policy of continuous product improvement, we reserve the right to alter any information shown here. Specifications are subject to change without notice.
3. We reserve the right to substitute functional replacements.
4. Order by Part Number (PN) not by option designation.

REFERENCES

Table 1. Related Technical Manuals Available from Factory Distributor		
Type	Form	PN*
Installation, operation, and maintenance	EEDU-IOM	150492
Maxitrol amplifier replacement kit installation	OPT-AG7,8,9,9H	262319
Replacement gas valves	P-VALVES	263995
Gas conversion	OPT-GC	143147
Ignition controller replacement kit installation	OPT-IGN-CNTRL	134704
Pressure switch replacement kit installation	EEDU-PRESS-SW	177140

*Also available at www.reznorhvac.com.

SERIAL NUMBER

Serial number format changed in June of 2015. Use the following information to decode system serial numbers:

Decoding a System Serial Number for ALL Models *Before* JUN 2015

Serial No. Sample: E AZJ 66 K8 N 12345 MV3
 Elements of No.: 1 | 2 | 3 | 4 | 5 | 6 | 7

Key:

- 1 = Stainless steel heat exchanger (standard aluminized heat exchanger has no letter suffix)
- 2 = Date of manufacture (refer to [Table 2](#))
- 3 = Ignition code (refer to form P-VALVES listed in [Table 1](#))
- 4 = Valve code (refer to form P-VALVES listed in [Table 1](#))
- 5 = N = natural gas, L = propane
- 6 = Consecutive number
- 7 = Maxitrol system (optional)

Decoding a System Serial Number for ALL Models *After* MAY 2015

Serial No. Sample: BEA 3062 000000
 Elements Key No.: 1 | 2 | 3

Key:

- 1 = Date of manufacture (refer to [Table 2](#))
- 2 = Plant of manufacture (3060 = Mercer, 3062 = Monterrey)
- 3 = Consecutive number

Table 2. Serial Number Date Codes (Month and Year)

Year	Month											
	JAN	FEB	MAR	APR	MAY	JUN	JUL	AUG	SEP	OCT	NOV	DEC
1981	AGA	AGB	AGC	AGD	AGE	AGF	AGG	AGH	AGI	AGJ	AGK	AGL
1982	AHA	AHB	AHC	AHD	AHE	AHF	AHG	AHH	AHI	AHJ	AHK	AHL
1983	AIA	AIB	AIC	AID	AIE	AIF	AIG	AIH	AII	AIJ	AIK	AIL
1984	AJA	AJB	AJC	AJD	AJE	AJF	AJG	AJH	AJI	AJJ	AJK	AJL
1985	AKA	AKB	AKC	AKD	AKE	AKF	AKG	AKH	AKI	AKJ	AKK	AKL
1986	ALA	ALB	ALC	ALD	ALE	ALF	ALG	ALH	ALI	ALJ	ALK	ALL
1987	AMA	AMB	AMC	AMD	AME	AMF	AMG	AMH	AMI	AMJ	AMK	AML
1988	ANA	ANB	ANC	AND	ANE	ANF	ANG	ANH	ANI	ANJ	ANK	ANL
1989	AOA	AOB	AOC	AOD	AOE	AOE	AOG	AOH	AOI	AOJ	AOK	AOL
1990	APA	APB	APC	APD	APE	APF	APG	APH	API	APJ	APK	APL
1991	AQA	AQB	AQC	AQD	AQE	AQF	AQG	AQH	AQI	AQJ	AQK	AQL
1992	ARA	ARB	ARC	ARD	ARE	ARF	ARG	ARH	ARI	ARJ	ARK	ARL
1993	ASA	ASB	ASC	ASD	ASE	ASF	ASG	ASH	ASI	ASJ	ASK	ASL
1994	ATA	ATB	ATC	ATD	ATE	ATF	ATG	ATH	ATI	ATJ	ATK	ATL
1995	AUA	AUB	AUC	AUD	AUE	AUF	AUG	AUH	AUI	AUJ	AUK	AUL
1996	AVA	AVB	AVC	AVD	AVE	AVF	AVG	AVH	AVI	AVJ	AVK	AVL
1997	AWA	AWB	AWC	AWD	AWE	AWF	AWG	AWH	AWI	AWJ	AWK	AWL
1998	AXA	AXB	AXC	AXD	AXE	AXF	AXG	AXH	AXI	AXJ	AXK	AXL
1999	AYA	AYB	AYC	AYD	AYE	AYF	AYG	AYH	AYI	AYJ	AYK	AYL
2000	AZA	AZB	AZC	AZD	AZE	AZF	AZG	AZH	AZI	AZJ	AZK	AZL
2001	BAA	BAB	BAC	BAD	BAE	BAF	BAG	BAH	BAI	BAJ	BAK	BAL
2002	BBA	BBB	BBC	BBD	BBE	BBF	BBG	BBH	BBI	BBJ	BBK	BBL
2003	BCA	BCB	BCC	BCD	BCE	BCF	BCG	BCH	BCI	BCJ	BCK	BCL
2004	BDA	BDB	BDC	BDD	BDE	BDF	BDG	BDH	BDI	BDJ	BDK	BDL
2005	BEA	BEB	BEC	BED	BEE	BEF	BEG	BEH	BEI	BEJ	BEK	BEL
2006	BFA	BFB	BFC	bfd	BFE	BFF	BFG	BFH	BFI	BFJ	BFK	BFL
2007	BGA	BGB	BGC	BGD	BGE	BGF	BGG	BGH	BGI	BGJ	BGK	BGL
2008	BHA	BHB	BHC	BHD	BHE	BHF	BHG	BHH	BHI	BHJ	BHK	BHL
2009	BIA	BIB	BIC	BID	BIE	BIF	BIG	BIH	BII	BIJ	BIK	BIL
2010	BJA	BJB	BJC	BJD	BJE	BJF	BJG	BJH	BJI	BJJ	BJK	BJL
2011	BKA	BKB	BKC	BKD	BKE	BKF	BKG	BKH	BKI	BKJ	BKK	BKL
2012	BLA	BLB	BLC	BLD	BLE	BLF	BLG	BLH	BLI	BLJ	BLK	BLL
2013	BMA	BMB	BMC	BMD	BME	BMF	BMG	BMH	BMI	BMJ	BMK	BML
2014	BNA	BNB	BNC	BND	BNE	BNF	BNG	BNH	BNI	BNJ	BNK	BNL
2015	BOA	BOB	BOC	BOD	BOE	BOF	BOG	BOH	BOI	BOJ	BOK	BOL
2016	BPA	BPB	BPC	BPD	BPE	BPF	BPG	BPH	BPI	BPJ	BPK	BPL
2017	BQA	BQB	BQC	BQD	BQE	BQF	BQG	BQH	BQI	BQJ	BQK	BQL
2018	BRA	BRB	BRC	BRD	BRE	BRF	BRG	BRH	BRI	BRJ	BRK	BRL
2019	BSA	BSB	BSC	BSD	BSE	BSF	BSG	BSH	BSI	BSJ	BSK	BSL
2020	BTA	BTB	BTC	BTD	BTE	BTF	BTG	BTH	BTI	BTJ	BTK	BTL
2021	BUA	BUB	BUC	BUD	BUE	BUF	BUG	BUH	BUI	BUJ	BUK	BUL
2022	BVA	BVB	BVC	BVD	BVE	BVF	BVG	BVH	BVI	BVJ	BVK	BVL
2023	BWA	BWB	BWC	BWD	BWE	BWF	BWG	BWH	BWI	BWJ	BWK	BWL
2024	BXA	BXB	BXC	BXD	BXE	BXF	BXG	BXH	BXI	BXJ	BXK	BXL
2025	BYA	BYB	BYC	BYD	BYE	BYF	BYG	BYH	BYI	BYJ	BYK	BYL

CABINET COMPONENTS

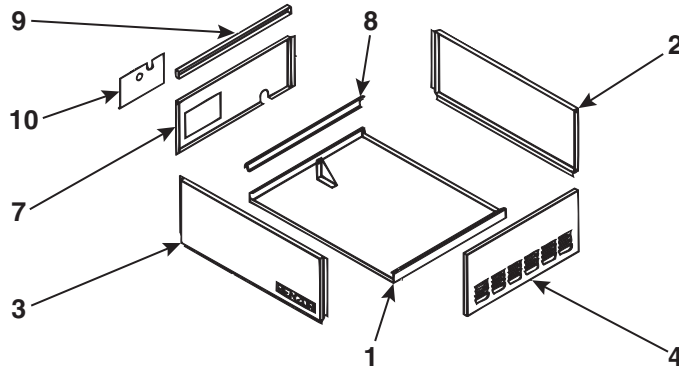


Figure 1. Cabinet Components (Refer to Table 3)

Table 3. Cabinet Components												
Item No.	Component	Description	Unit Size									
			075	100	125, 140	170	200	225	250	300	350	400
			PN									
1	Bottom pan	Aluminized steel	85983	85984	85985	85986	85987	85988	85989	85990	85991	
		Stainless steel	86050	86051	86052	86053	86054	86055	86056	86057	86058	
2	Panel	Left side assembly (series 6 and <i>after</i>)	142099*	142080								
3		Right side assembly (series 6 and <i>after</i>)	142100*	142081								
4		Bottom front	64692*	55378	55386	55392	55398	55404	55410	55422	55434	55444
5		Inner bottom	64694	—								
6		Painted side (same as in option AZ9)	99125									
7		Burner	55506	55507	55508	55509	55510	55511	55512	55513	55514	
8		Channel	Bottom stiffening	55379	55387	55393	55399	55405	55411	55423	55435	55445
9	Bottom rear channel		—		65074	65075	65076	65077	65078	65079	65080	
10	Cover plate	Rear, ignition plate assembly (series 6 and <i>after</i>)	142053			142054						

*Includes insulation.

FLUE COLLECTION BOX AND VENTER ASSEMBLY COMPONENTS

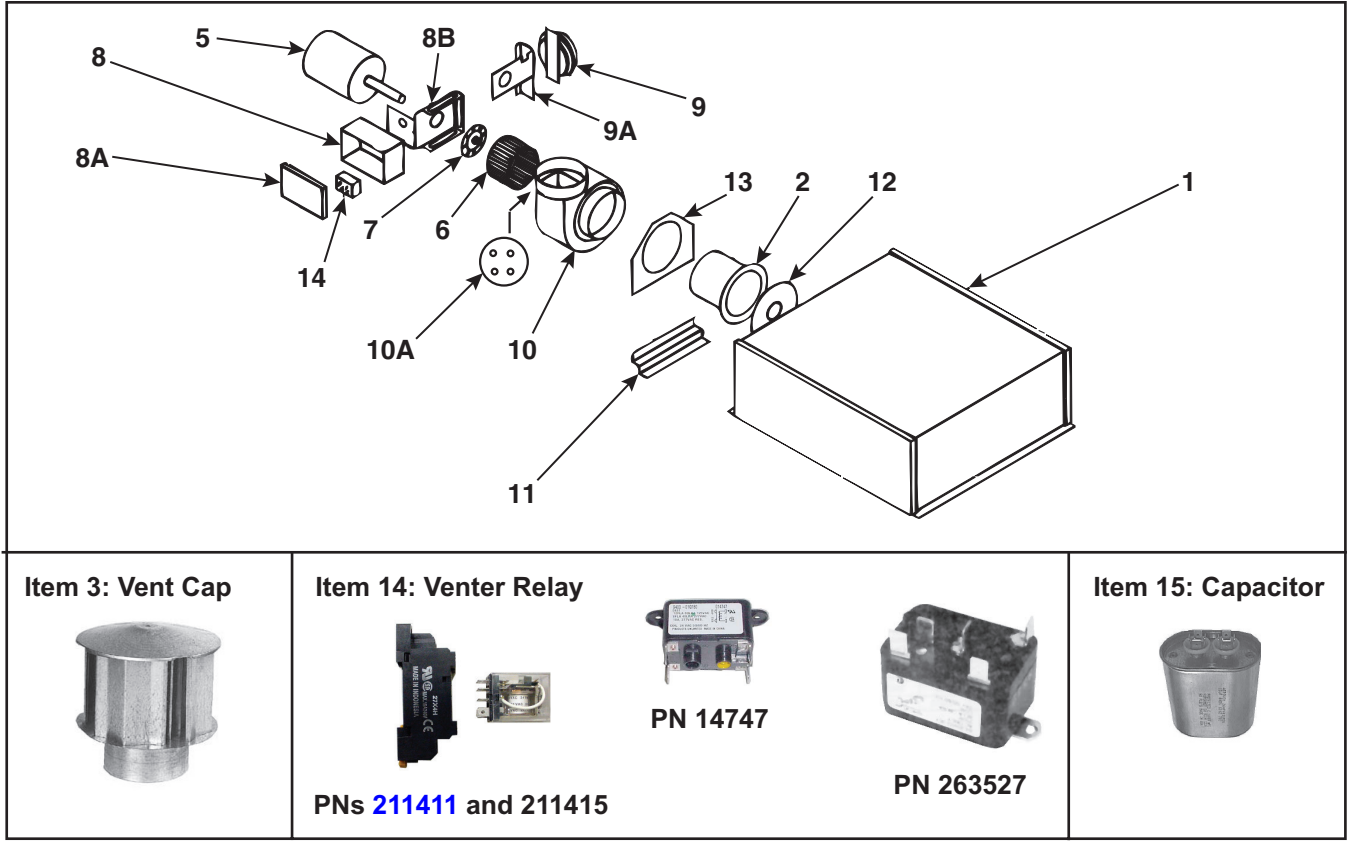


Figure 2. Flue Collection Box and Venter Assemblies (Refer to Table 4)

Table 4. Flue Collection Box and Venter Assembly Components													
Item No.	Component	Description	Unit Size										
			075	100	125	140	170	200	225	250	300	350	400
			PN										
1	Flue collection box	Assembly (series 6 and <i>after</i>)	140907	140898	140899	140900	140901	140902	140903	140904	140905	140906	
2	Exhaust collar/pipe assembly	<i>Before</i> series 6	61051		61051		61051	61054	61054	67880		67880	
		Series 6 and <i>after</i>							61051			143184	
3	Vent cap	Terminal, 4-inch	110051		110051		110051		—		—		
		Terminal, 5-inch	—		—		—		110052		—		
		Terminal, 6-inch	—		—		—		—		110053		
4	Venter motor and wheel assembly	115 volt	63169		63169		63169		63174		63174		
		208 volt	64858*		64858*		64858*		64859*		64859*		
		230 volt									64863*		
		115 volt	65146**		65146**		65146**		65149**		65152**		
		208 volt									65398**		
		230 volt	65396**		65396**		65396**		65397**		65401**		

*Includes items 5, 6, 7, 8, 8A, 8B, and 9A.
 **Includes items 5, 6, 7, 8, 8A, 8B, 9A, 10, and 10A.

FLUE COLLECTION BOX AND VENTER ASSEMBLY COMPONENTS—CONTINUED

Table 4. Flue Collection Box and Venter Assembly Components—Continued													
Item No.	Component	Description	Unit Size										
			075	100	125	140	170	200	225	250	300	350	400
PN													
5	Venter motor	115V, Fasco #7121-4861	61069			61069			61069			—	
		115V, Fasco #7162-1775	—			—			—			87434	
		208V, Fasco #7162-0186 (replaces PN 62814, 208/230V motor)	30249			30249			30249			—	
		208V, Fasco #7162-0186	—			—			—			30249	
		230V, Fasco #7162-0158 (replaces PN 62814, 208/230V motor)	29571			29571			29571			—	
		230V, Fasco #7162-0158	—			—			—			29571	
6	Venter wheel	5/16-inch bore, Torrington #AA326-215-1	29791			29791			29791			—	
		5/16-inch bore, Torrington #AA408-228-1	—			—			—			29792	
7	Fan blade	Venter, RHF	29793			29793			29793			29793	
8	Junction box	Venter	29595			29595			29595			29595	
8A	Cover	Venter junction box	29596			29596			29596			29596	
8B	Mounting bracket		31393			31393			31393			31393	
9	Pressure switch	Honeywell #IS20232-5272 (black plastic)	205821			205821			205821			205821	
		Replacement kit (replaces metal pressure switch on units manufactured before SEP 2003)	177633			177633			177633			177633	
9A	Bracket	Pressure switch	61070			61070			61070			61070	
9B	Pressure switch tubing	Silicone, 7-inch	147904			147904			147904			—	
		Silicone, 8-1/4-inch	—			—			—			177293	
10	Housing	Blower, includes collars	61064			61064		61064	61072			61075	
10A	Cover plate	Blower housing	29594			29594			29594			29597	
11	Venter support	Angle/duct support	63178			63178			63178			63179	
12	Plate	Orifice	63167	—		—			—			—	
13		Venter support	63110			63110		63110	62545			—	
14	Venter relay	24VAC, DPDT, with socket (PN 211415) (used on units manufactured after JUL 2011)	211411			211411			211411			211411	
		Used on units manufactured before AUG 2011	14747			14747			14747			14747	
	Venter relay replacement kit	Replaces PN 14747 on units manufactured before AUG 2011	263527			263527			263527			263527	
15	Capacitor	Replaces PN 103181	—			—			—			163894	
15A	Boot	Capacitor, Syntex #M-78	—			—			—			103182	
16	Fuse	1.6A (used on C.G.A.-certified units manufactured before OCT 1989)	61541			61541			61541			61541	

HEAT EXCHANGER COMPONENTS

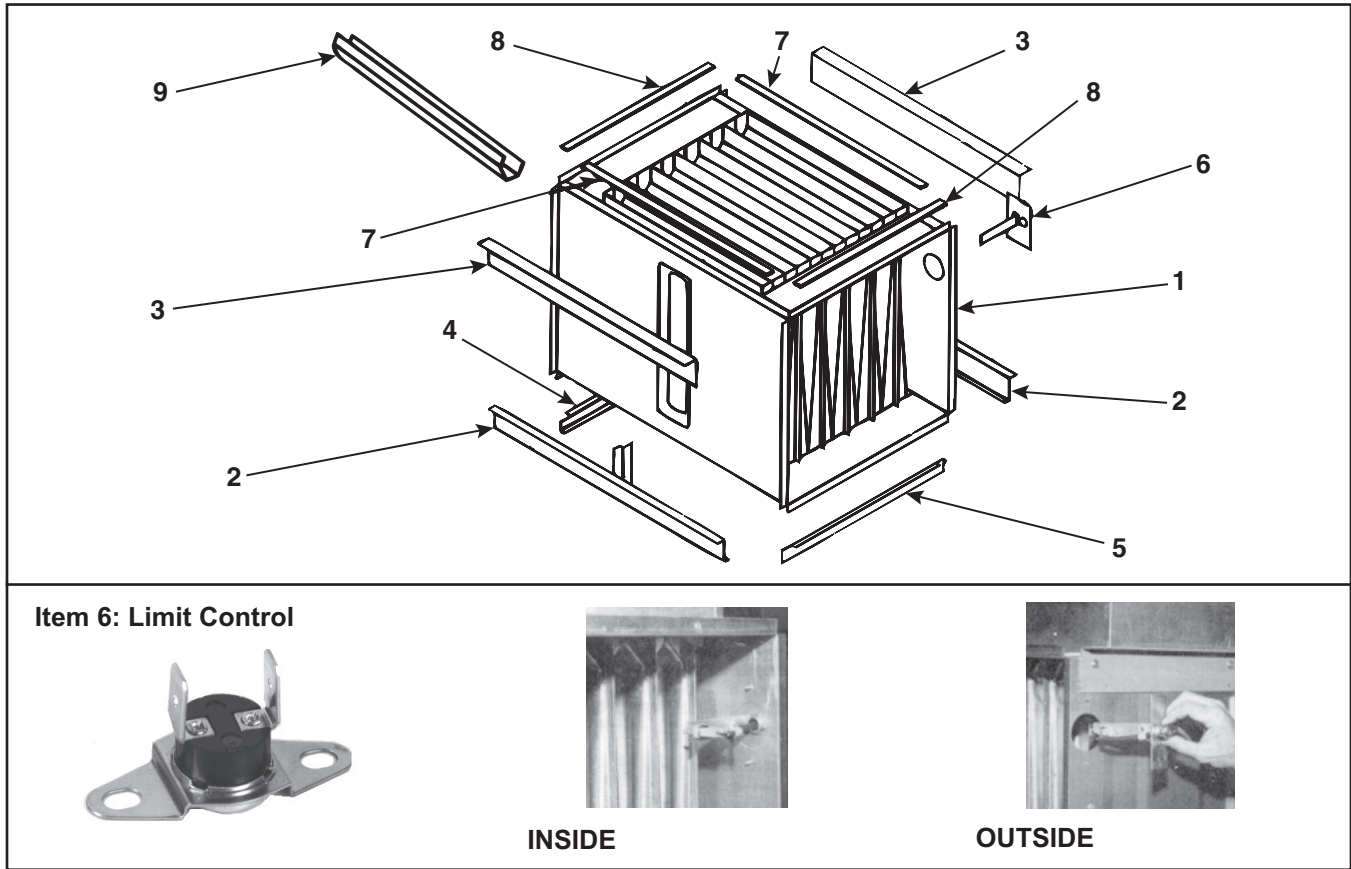


Figure 3. Heat Exchanger Assembly (Refer to Table 5)

Table 5. Heat Exchanger Components												
Item No.	Component	Description	Unit Size									
			075, 100	125	140	170	200	225	250	300	350	400
			PN (Quantity)*									
1	Heat exchanger	Aluminized steel	065084	065085	065086	065087	065088	065089	065090	065091	065092	
		409 stainless steel	059136	059140	059143	059146	059149	059152	059155	059158	059161	
2	Angle	Burner	55452 (2)					55452 (2)				
3		Hanger support	55505 (2)					55505 (2)				
4	Support	Burner, rear	54419	45632	45639	45646	45653	45660	45667	45674	45681	
5	Baffle		54420	46217	46218	46219	46220	46221	46222	46223	46224	
6	Limit control**	200°F, 36T21	85449	—					—			
		180°F, 36T21	—	45602					45602			
6A	Bracket	Limit control	63175					63175				
7	Gasket strip	Side, craneglas	62933 (2)					62933 (2)				
8		Front and rear	62921 (2)	62922 (2)	62923 (2)	62924 (2)	62925 (2)	62926 (2)	62927 (2)	62929 (2)	62931 (2)	
9	Tube baffle	V-shaped, fits in between top of heat exchanger tubes (series 6 and <i>after</i>)	—	85727 (5)	85727 (6)	85727 (7)	85727 (8)		85727 (11)	85727 (13)	85727 (15)	

*Quantity is one (1) unless otherwise indicated.

**The limit control on the bracket (item 6A) is accessible from inside or outside the furnace (see Figure 3).

HEAT EXCHANGER BAFFLE ASSEMBLY

NOTES:

- When replacing a heat exchanger, check to see if the baffle assembly can be salvaged. If the baffle assembly cannot be salvaged, item 1 must be ordered separately and must be field-installed in the replacement heat exchanger. Baffle parts cannot be installed in the replacement heat exchanger at the factory. They must be ordered separately and installed in the field.
- All model EEDU units have a heat exchanger directional air baffle assembly.
- Model HEEDU was discontinued JUN 2011.
- Model HEEDU units designed for high CFM have only a rear top baffle support (item 7) and a rear top baffle (item 2). If these parts cannot be salvaged, order and install replacements.
- High CFM conversion instructions are included with model EEDU units. Refer to installation/operation/maintenance manual listed in [Table 1](#) and contact the factory for the required label.

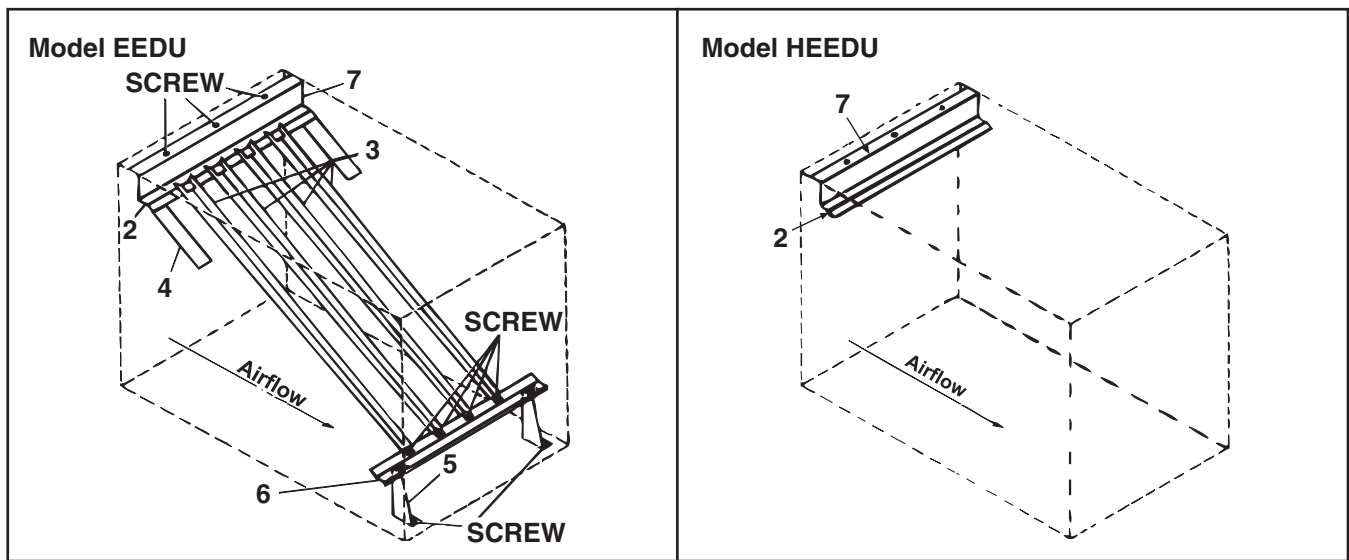


Figure 4. Heat Exchanger Baffle Assembly (Refer to [Table 6](#))

Table 6. Heat Exchanger Baffle Assembly Components											
Item No.	Component	Description	Unit Size								
			075, 100	125, 140	170	200	225	250	300	350	400
			PN (Quantity)*								
1	Baffle	Assembly	55094	55095	55519	55096	55520	55097	55539	55540	55541
2		Rear top	55116	55117	55118	55119	55120	55121	55122	55124	55126
3		Finger	45399 (3)	45399 (4)	45399 (5)	45399 (6)	45399 (7)	45399 (8)	45399 (10)	45399 (12)	45399 (14)
4		Side finger	55128 (2)					55128 (2)			
5	Bracket	Baffle support	55101 (2)				55101 (2)			55101 (4)	
6	Support	Baffle, bottom	46478	46484	52497	46489	52498	46494	52499	52500	52501
7		Baffle, rear top	55103	55104	55105	55106	55107	55108	55109	55111	55113

*Quantity is one (1) unless otherwise indicated.

BURNER COMPONENTS

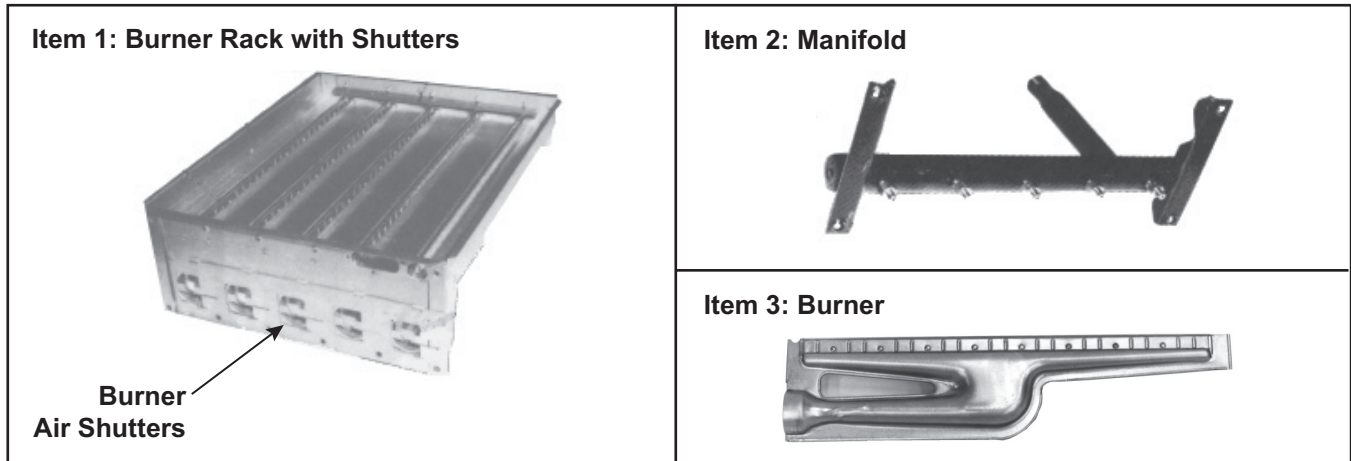


Figure 5. Burner Components (Refer to Table 7)

Table 7. Burner Components													
Item No.	Component	Description	Unit Size										
			075	100	125	140	170	200	225	250	300	350	400
			PN (Quantity)*										
1	Burner rack with shutters	Aluminized steel (series 6 and <i>after</i>)	150443	150444	150445	150446	150447	150448	150449	150450	150451	150452	150453
		Stainless steel (series 6 and <i>after</i>)	150454	150455	150456	150457	150458	150459	150460	150461	150462	150463	150464
2	Manifold	Does not include orifices	84764		84765		84766	84767	84768	84770	84771	84772	84773
3	Burner	Aluminized steel	85218 (4)		85218 (5)		85218 (6)	85218 (7)	85218 (8)	85218 (9)	85218 (11)	85218 (13)	85218 (15)
		Stainless steel	87954 (4)		87954 (5)		87954 (6)	87954 (7)	87954 (8)	87954 (9)	87954 (11)	87954 (13)	87954 (15)
4	Carryover assembly	<i>Before</i> series 6	63128		63131		63134	63138	—				
		Series 6 and <i>after</i>	63128 (2)		63131 (2)		63134 (2)	63138 (2)	—				
		Right	—		—		—		63141	63148	63152	63148	63152
		Left	—		—		—		63144				
		Center	—		—		—		—			63156	
5	Air shutter	Burner, assembly	55552		46107	46109	46113	46115	46117	46119	46121	46123	46125
6	Guide	Burner air shutter	165684		165685		165686	165687	165688	165689	165690	165691	165692
7	Orifice**	Burner	Refer to Table 8										

*Quantity is one (1) unless otherwise indicated.

**Burner orifice quantity per unit size is as follows: 075 and 100 = four (4), 125 and 140 = five (5), 170 = six (6), 200 = seven (7), 225 = eight (8), 250 = nine (9), 300 = eleven (11), 350 = thirteen (13), and 400 = fifteen (15).

BURNER COMPONENTS—CONTINUED

Table 8. Burner Orifices										
Installation Elevation (Feet (Meters))	Unit Size									
	075		100, 125		140, 170, 200, 225		250		300, 350, 400	
	Natural Gas	Propane	Natural Gas	Propane	Natural Gas	Propane	Natural Gas	Propane	Natural Gas	Propane
PN (Orifice Size)										
US										
0–2001 (0–610)	38678 (#45)	63003 (1.20 mm)	11792 (#41)	61652 (1.45 mm)	45870 (#38)	61653 (1.55 mm)	45871 (#39)	61653 (1.55 mm)	45871 (#39)	9789 (#53)
2001–3000 (611–915)	16590 (#46)	39658 (#56)	84437 (#42)	11834 (#54)	45871 (#39)	9789 (#53)	87391 (#40)	9789 (#53)	87391 (#40)	11834 (#54)
3001–4000 (916–1220)	84853 (#47)	63922 (1.15 mm)	84437 (#42)	11834 (#54)	87391 (#40)	9789 (#53)	11792 (#41)	9789 (#53)	11792 (#41)	11834 (#54)
4001–5000 (1221–1525)	84853 (#47)	63922 (1.15 mm)	84437 (#42)	11834 (#54)	11792 (#41)	61652 (1.45 mm)	11792 (#41)	61652 (1.45 mm)	11792 (#41)	11834 (#54)
5001–6000 (1526–1830)	84853 (#47)	63922 (1.15 mm)	11828 (#43)	97360 (1.35 mm)	11792 (#41)	61652 (1.45 mm)	84437 (#42)	61652 (1.45 mm)	84437 (#42)	11834 (#54)
6001–7000 (1831–2135)	40414 (#48)	40416 (#57)	11828 (#43)	97360 (1.35 mm)	84437 (#42)	61652 (1.45 mm)	84437 (#42)	61652 (1.45 mm)	84437 (#42)	11834 (#54)
7001–8000 (2136–2440)	40414 (#48)	40416 (#57)	11833 (#44)	11830 (#55)	84437 (#42)	11834 (#54)	11828 (#43)	11834 (#54)	11828 (#43)	11834 (#54)
8001–9000 (2441–2745)	39651 (#49)	40416 (#57)	11833 (#44)	11830 (#55)	11828 (#43)	11834 (#54)	11828 (#43)	11834 (#54)	11828 (#43)	11830 (#55)
Canada										
0–2001 (0–610)	38678 (#45)	63003 (1.20 mm)	11792 (#41)	61652 (1.45 mm)	45870 (#38)	61653 (1.55 mm)	45871 (#39)	61653 (1.55 mm)	45871 (#39)	9789 (#53)
2001–4500 (611–1373)	84853 (#47)	63922 (1.15 mm)	84437 (#42)	11834 (#54)	11792 (#41)	61652 (1.45 mm)	11792 (#41)	61652 (1.45 mm)	11792 (#41)	11834 (#54)

PILOT REPLACEMENT KITS

NOTES:

- A vertical spark pilot replacement kit (see [Figure 6](#)) is available for series 6 models. Components are listed in [Table 9](#).
- A horizontal spark pilot replacement kit (see [Figure 7](#)) is available for units manufactured *before* series 6. Components are listed in [Table 10](#). Instructions follow for connecting the ignitor lead to model G60, G67, or G77 ignition controllers using a terminal connector and a protective boot.

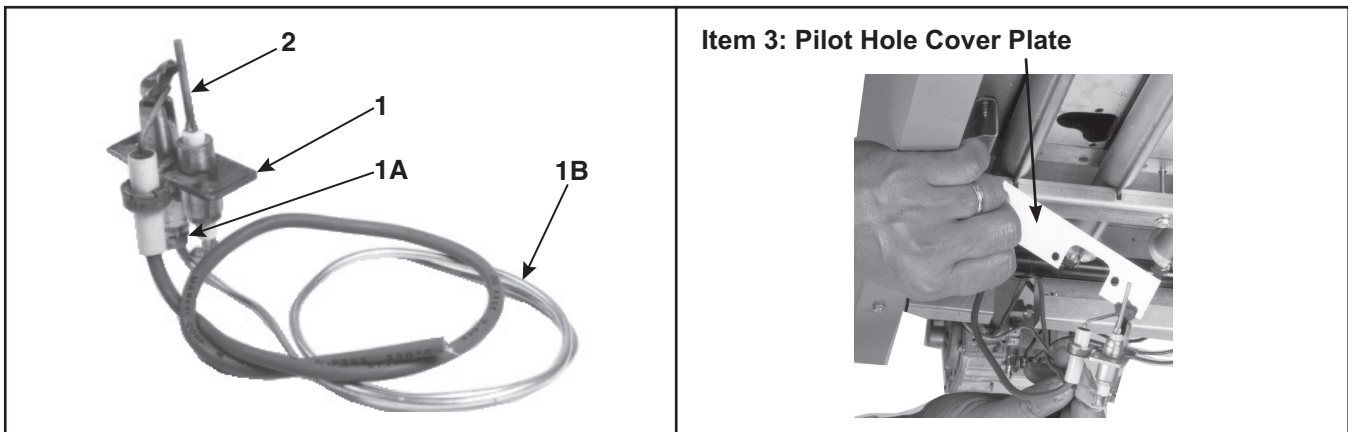


Figure 6. Vertical Spark Pilot Replacement Kit (Refer to [Table 9](#))

Item No.	Component	Description	Natural Gas	Propane
			Kit PN	
			110853	110854
			Component PN (Quantity)*	
1	Pilot assembly	Includes orifice, pilot tubing, and flame sensor lead	97534	97535
1A	Orifice		103034	98695
1B	Tubing	Pilot, 1/8-inch OD x 18 inches L (Johnson #B10499-995-11)	98698	
	Fitting	Compression (BASO #FTG75)	97572 (2)	
1C	Lead	Flame sensor, 21-inch	97575	
2	Rod	Flame (Johnson #Y75AA-3)	98697	
3	Cover plate	Pilot hole, re-attach when installing pilot (see Figure 6)	97204	

*Quantity is one (1) unless otherwise indicated.

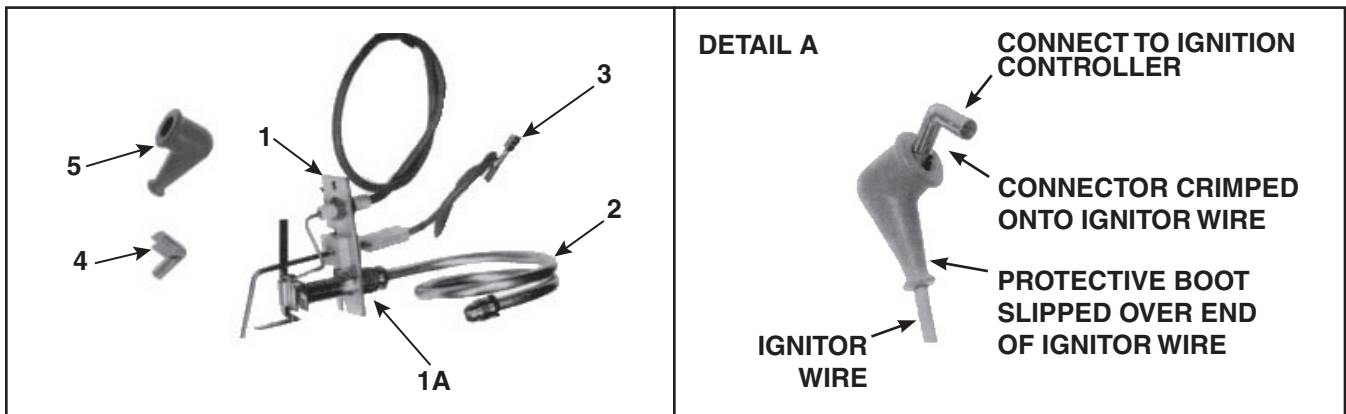


Figure 7. Horizontal Spark Pilot Replacement Kit (Refer to [Table 10](#))

Item No.	Component	Description	Natural Gas	Propane
			Kit PN	
			110861	110862
			Component PN (Quantity)*	
1	Pilot assembly	Includes orifice	61145	61146
1A	Orifice		63088	37801
2	Tubing	Pilot, 22 inches long	5145	
	Nut	With breakaway ferrule	9664 (2)	
3	Sensor lead	Flame, 16 inches long	50450	
4**	Terminal connector	Crimp-on, 90-degree (Rajah)	112647	
5**	Protective boot	90-degree	112648	

*Quantity is one (1) unless otherwise indicated.

**The terminal connector (item 4) and protective boot (item 5) are required (in the kit or separately) on units equipped with a model G60 or G67BG-NG-2 ignition controller. Note that these parts are not required when the ignition controller is a model G67BG-5 or G770NGC-4.

Refer to [Figure 7](#), DETAIL A to connect the ignitor lead on replacement spark pilots to model G60 and G67 ignition controllers as follows. Item numbers in parentheses refer to [Figure 7](#) and [Table 10](#).

1. Identify ignitor wire attached to pilot electrode and slip protective boot (5) onto wire.
2. Prepare terminal connector (4) for installation as follows:
 - a. Locate flat, triangular spike tab punched in metal on open leg of terminal connector (4).
 - b. Using tip of small, flat-tip screwdriver, force spike tab toward inside of terminal connector (4).
 - c. Straighten spike tab to vertical position.
3. Insert ignitor wire into open leg of terminal connector (4), to 90-degree bend and push wire onto protruding spike tab, ensuring that tab penetrates wire insulation. Do not strip ignitor wire.
4. Using crimping tool or pliers, squeeze sides of terminal connector (4) to form C shape. Ignitor wire should now be firmly held by terminal connector.

PILOT REPLACEMENT KITS—CONTINUED

5. Slide protective boot (5) over terminal connector (4).
6. While holding protective boot (5), connect terminal connector (4) to ignitor lead Rajah connector on model G60 or G67BG/NG-2 ignition controller.

IGNITION CONTROLLERS

NOTES:

- To identify the ignition code in the serial number, refer to [SERIAL NUMBER](#) section.
- To replace a previously-used recycling ignition controller *without* lockout (serial No. code 62 or 66), order a replacement kit (PN [257472](#)) and bracket (PN [258221](#)).
- To replace a previously-used recycling ignition controller *with* lockout (serial No. code 63, 65, or 84), order a replacement kit (PN [257473](#)) and bracket (PN [258221](#)).

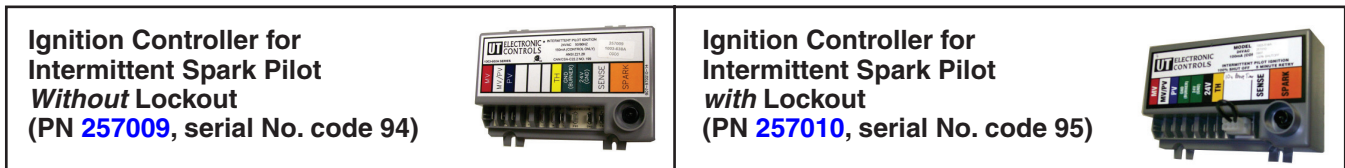


Figure 8. Ignition Controllers

ACCESSORIES/OPTIONS

Hanger Kit (Option CK3)

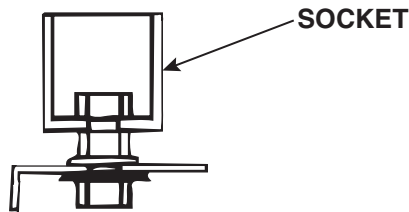


Figure 9. Hanger Kit (Refer to [Table 11](#))

Table 11. Hanger Kit Components		
Component	PN	Quantity
Option package, includes four sockets	57959	—
Socket, threaded, assembly, free-turning, for 1-inch pipe	9557	4

Condensate Drain Kit (Option CS1)

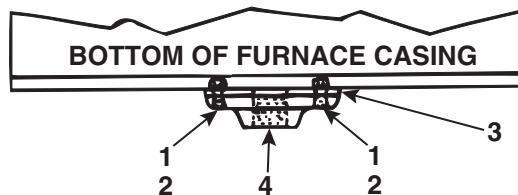


Figure 10. Condensate Drain Kit (Refer to [Table 12](#))

Item No.	Component	Description	PN	Quantity
—	Option package*		31765	—
1	Bolt	#10-1-1/4	—	2
2	Nut	#10	—	2
3	Gasket		—	1
4	Pipe waste nut	3/4-inch	—	1

*Terminate the condensate drain outside of the building.

Coupling Kit (Option CR1)

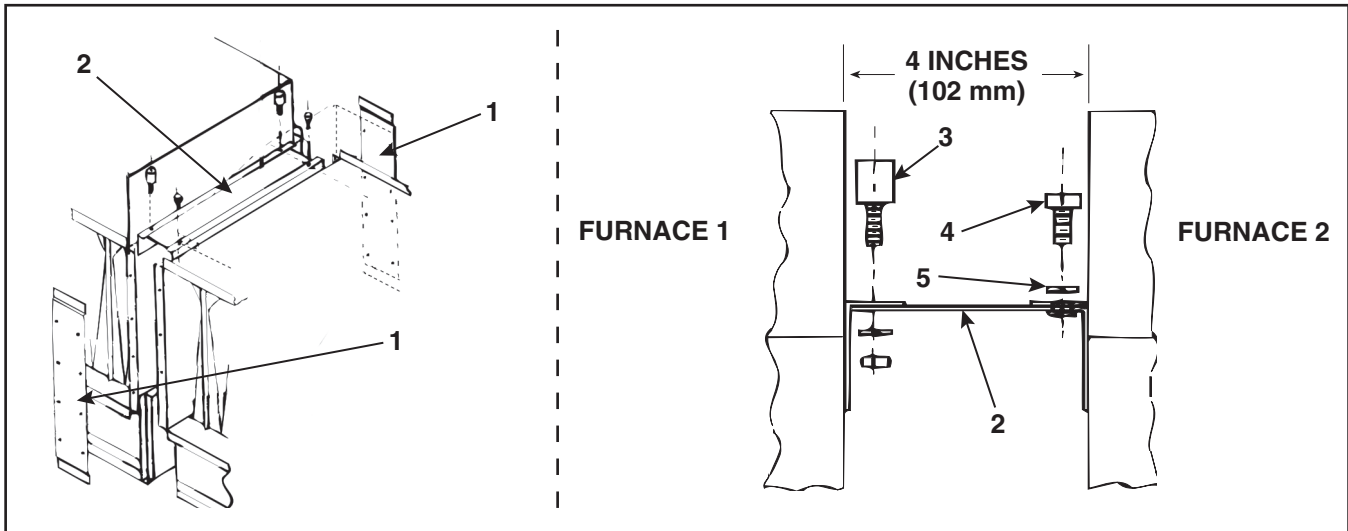


Figure 11. Coupling Kit (Refer to Table 13)

Item No.	Component	Description	PN	Quantity
—	Option package	For two furnaces*	57963	—
1	Plate	Filler	57964	2
2		Tie	57965	1
3	Socket	Threaded, assembly	9557	2
4	Bolt	Hex head, 3/8-16 x 1-1/4 inches long	5095	2
5	Lockwasher	Split ring	5197	2
6	Screw	Sheet metal, #10 x 1/2-inch long	11813	20

*Up to five furnaces may be coupled together. If coupling three furnaces, order PN 82854 (option CR2). If coupling four furnaces, order PN 82855 (option CR3). If coupling five furnaces, order PN 82856 (option CR4).

Thermostats

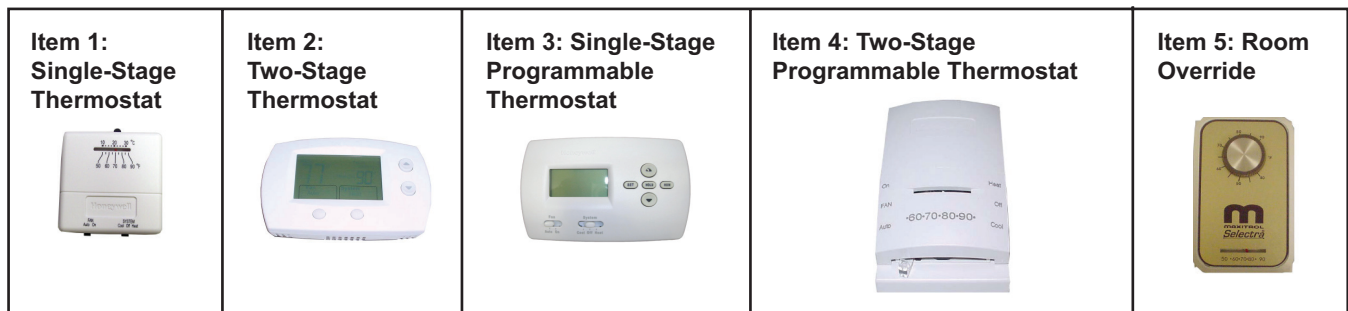


Figure 12. Thermostats (Refer to Table 14)

ACCESSORIES/OPTIONS—CONTINUED

Thermostats—Continued

Item No.	Component	Description	PN	Option
1	Single-stage thermostat	Heat/cool, 24V, 50–90°F	255350	CL1
2	Two-stage thermostat	Heat/cool 24V	220630	CL22
3	Single-stage programmable thermostat	Heat/cool, digital 24V	220632	CL52
4	Two-stage programmable thermostat	Heat/cool, digital 24V	221038	CL33
5	Room override	Electronic modulating, for makeup air, 24V, 60–85°F	24857	CL9
6	Thermostat guard with locking cover	Fits items 1, 2, 3, and 5	257464	CM1
		Fits item 4	257463	CMB1

Fan Control Kit (Option CQ1)

NOTES:

- Fan control is rated for a maximum motor size of 3/4-HP, 1PH @ 115 or 230 VAC. Larger 3PH motors require the use of a contactor or starter.
- The recommended fan control dial setting for most conditions is 130°F ON and 100°F OFF.
- This kit may be used as a functional replacement for the Columbus Electric fan control used on units manufactured *before* JUN 1996.

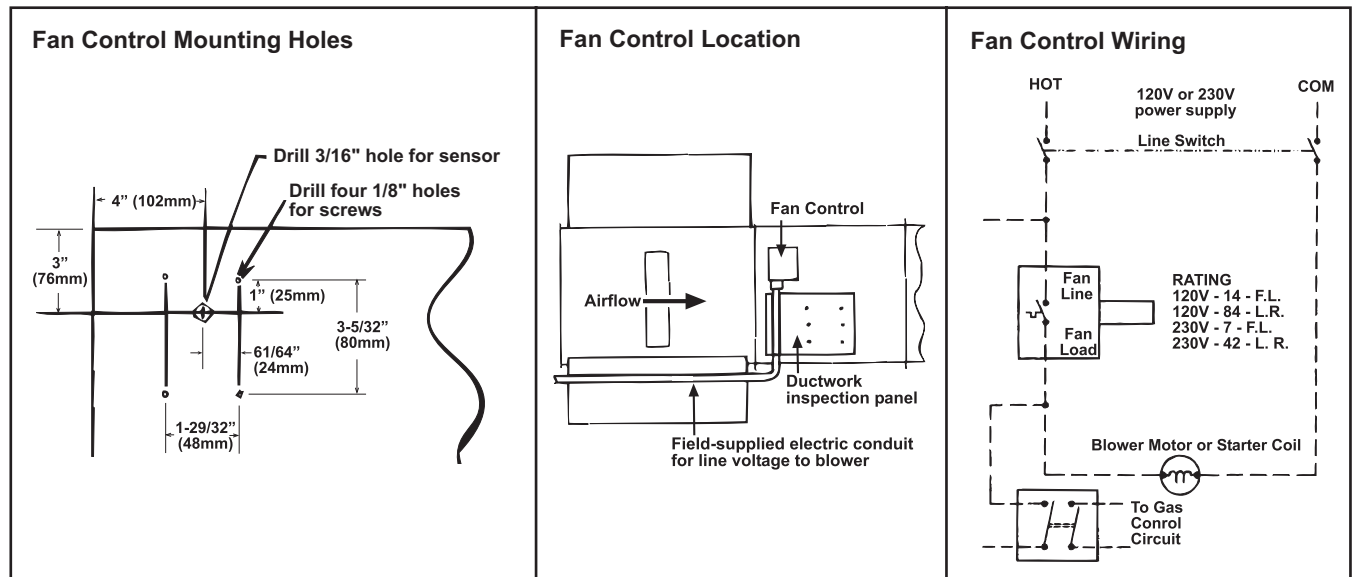


Figure 13. Fan Control Installation

Component	PN
Kit package	57960
Fan control (Honeywell #L4064A1347)	147611
Gasket (#1621)	57962

Optional Control Components

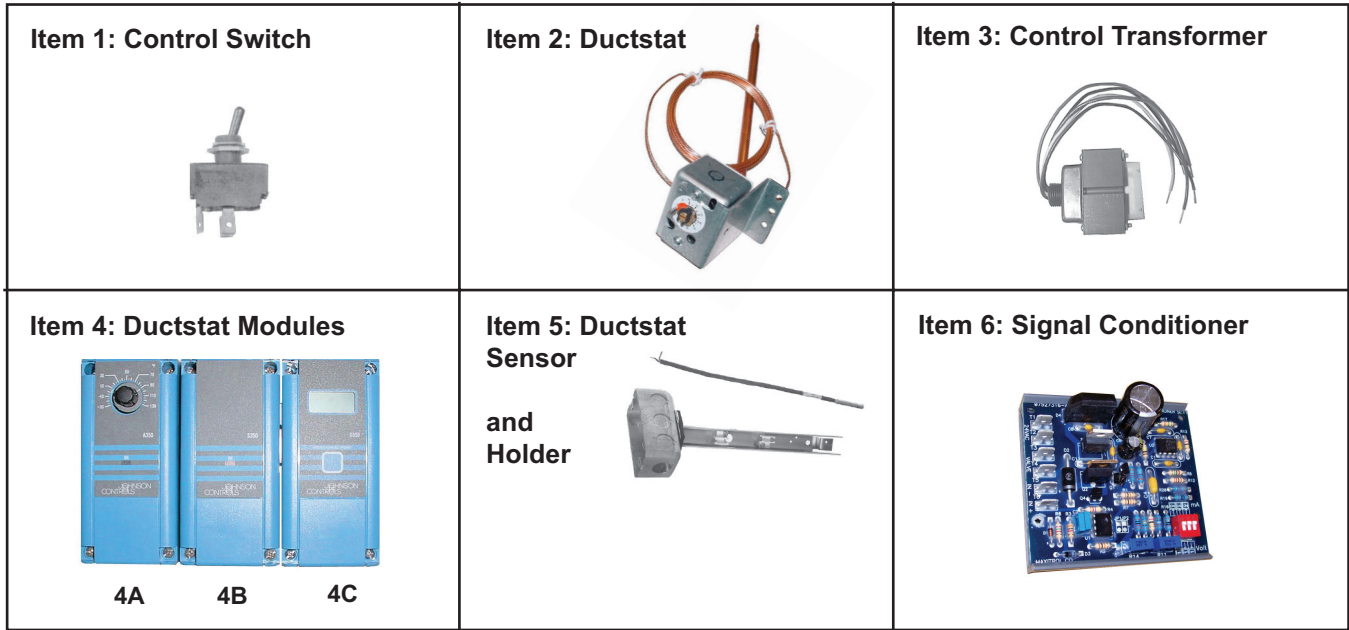


Figure 14. Optional Control Components (Refer to [Table 16](#))

Item No.	Component	Description	PN
1	Control switch	DPST, used in gas control options AG3, AG8, AG9, AG15, and AG16	101902
2	Ductstat	Two-stage, AG3 (Honeywell #T678A1015), units manufactured <i>before</i> MAR 2022, no longer available—replaced by PN 211481	41700
		Two-stage, 50–120°F, 10-foot capillary, option AG3, units manufactured <i>after</i> FEB 2022, replaces PN 41700 —note that terminal designations are different (Jumo #6000444832)	211481
2A	Ductstat bulb holder	For Honeywell ductstat (PN 41700)	100260
		For Essex ductstat (PN 41700)	104156
2B	Strap	Cable	16227
3	Control transformer	115/24/40VA (Basler #BE141650-WAA), replaces PN 60368	103055
		208/230/24/40VA (Basler #BE21539001), replaces PN 60369	103497
		460/24/40VA (Basler #BE23975001), replaces PN 60370	103498
4	Ductstat modules	Two-stage, electronic, used in options AG15 and AG16	—
4A	Temperature selector module	J/C #A350A-1C	115848
4B	Stage adder module	J/C #S350AA-1C	115849
4C	Display module	J/C #D350AA-1C	115852
5	Sensor	Ductstat	115851
5A	Holder	Ductstat sensor	115850
6	Signal conditioner	Maxitrol, used in gas control option AG21	134170
7	Amplifier (not shown)	Maxitrol, used in gas control options AG7, AG9, and AG9H	260863
		Maxitrol, used in gas control option AG8	260864

