

SCREENED AIR HOOD INSTALLATION

MODELS RBA, RBL, RGB, RGLB, RPB, AND RPBL

- These instructions are for installing the outside air hood included in the air inlet options (AR6 and AR7) that have a 30% outside air opening.
- Refer to the installation manual provided with the heater for important safety information.
- The screened air hood (refer to [Table 1](#)) is factory-assembled and must be field-installed on the blower cabinet.

Table 1. Screened Air Hoods for 30% Outside Air Opening

PN	Width (Inches (mm))	Model	Unit Size
105117	28-5/8 (727)	RGB, RPB	075, 100, 125
105118	34-1/8 (867)	RBA	—
		RGB, RPB	150, 175
105119	39-5/8 (1006)	RGB, RPB	200, 225
105120	47-7/8 (1216)	RGB, RPB	250, 300
		RGLB, RPBL	500, 600
105121	53-3/8 (1356)	RGB, RPB	350
		RGLB, RPBL	700, 1050
105122	58-7/8 (1495)	RBL	—
		RGB, RPB	400
		RGLB, RPBL	400, 800, 1200

1. Remove entire row of top screws (see [Figure 1](#)) that secure cabinet top on inlet air side of blower cabinet.
2. Slide air hood top flange (see [Figure 1](#)) beneath lip of cabinet top and insert air hood sides into vertical slots (see [Figure 1](#)) in blower cabinet. Ensure that top flange is between cabinet top and end panel.
3. Secure air hood using all screws removed in step 1.

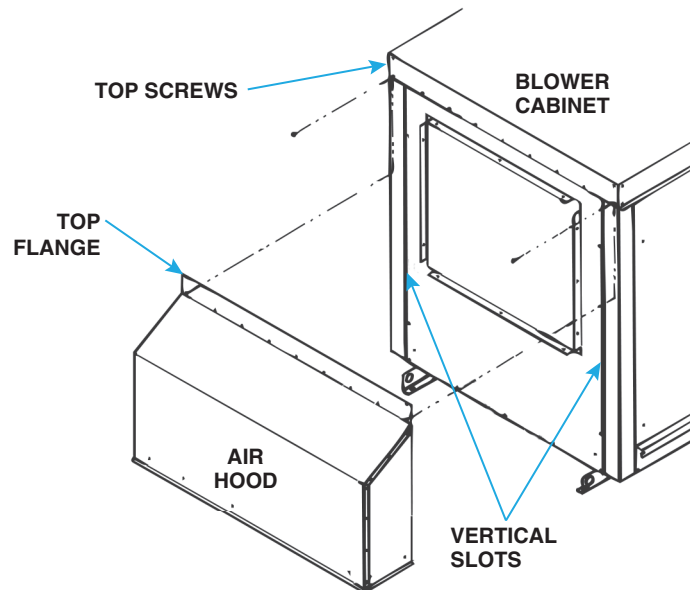


Figure 1. Air Hood Installation

