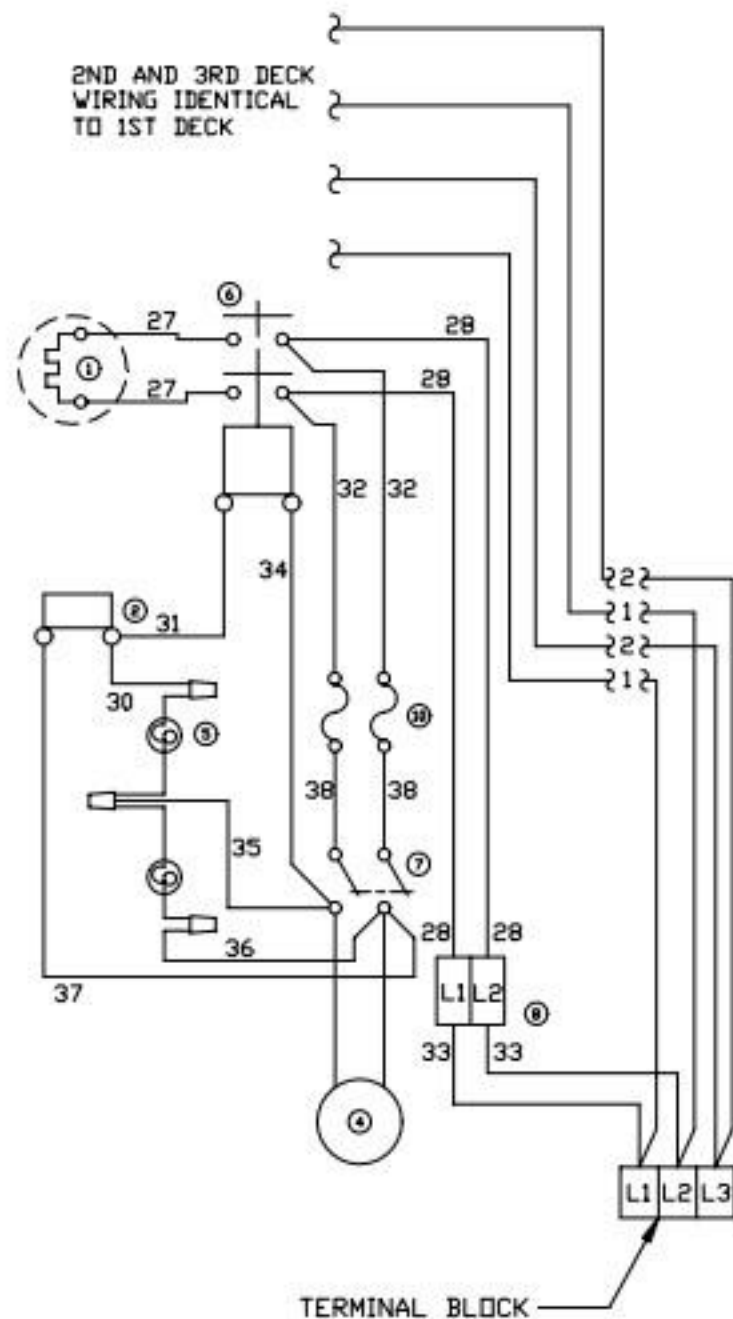


OVEN WIRING



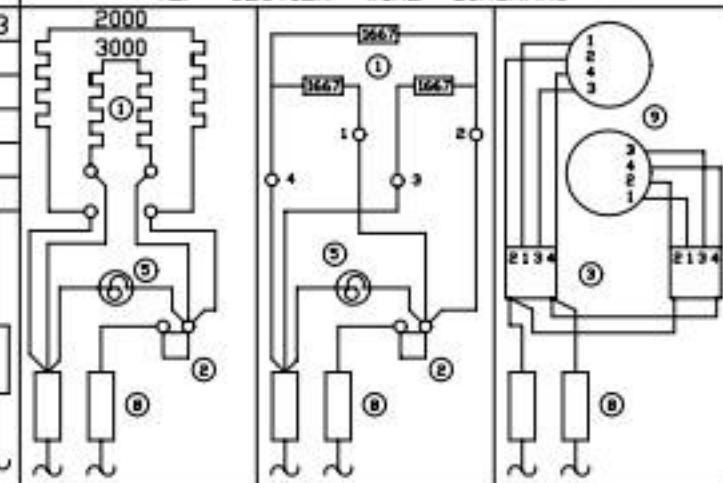
MODEL DESIGNATION

TOP ARRANGEMENT

TOP SECTION WIRE DIAGRAMS

RF219-A	A	A	C
RF219-C	B	B	B
RF219-D	B	B	C
RF219-G	A	A	A
RF219-H	C	C	C

SEC-1	SEC-2	SEC-3
-------	-------	-------



- ① HEAT ELEMENT
- ② THERMOSTAT
- ③ 6 HEAT SWITCH
- ④ MOTOR
- ⑤ PILOT LAMP
- ⑥ CONTACTOR
- ⑦ POWER SWITCH
- ⑧ CIRCUIT BREAKER
- ⑨ SPEED UNIT
- ⑩ FUSE

A	GRILL	B	HOT TOP	C	SPEED UNITS
---	-------	---	---------	---	-------------

ELECTRICAL CONNECTIONS

CONNECT WIRES FROM RANGE TOP OR ADDITIONAL DECKS TO LOWER OVEN TERMINAL BLOCK AS SHOWN AT RIGHT

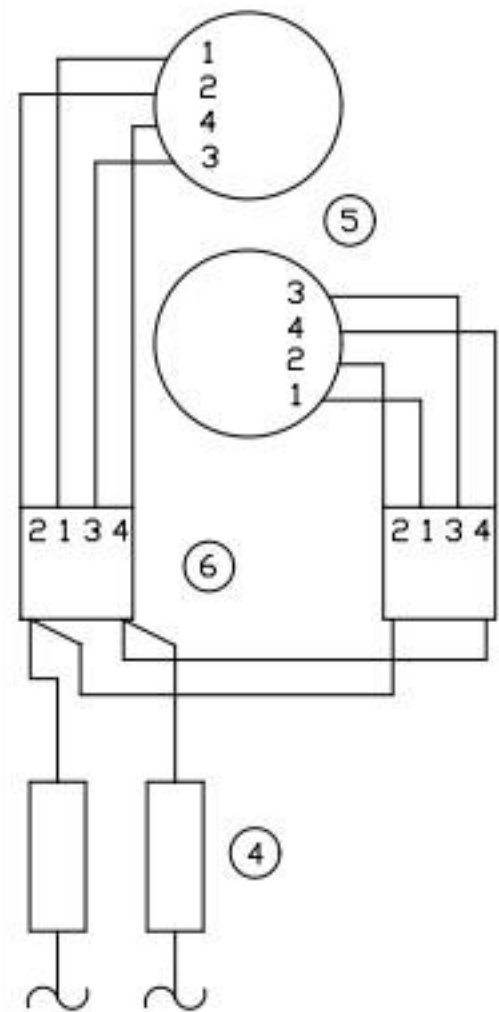
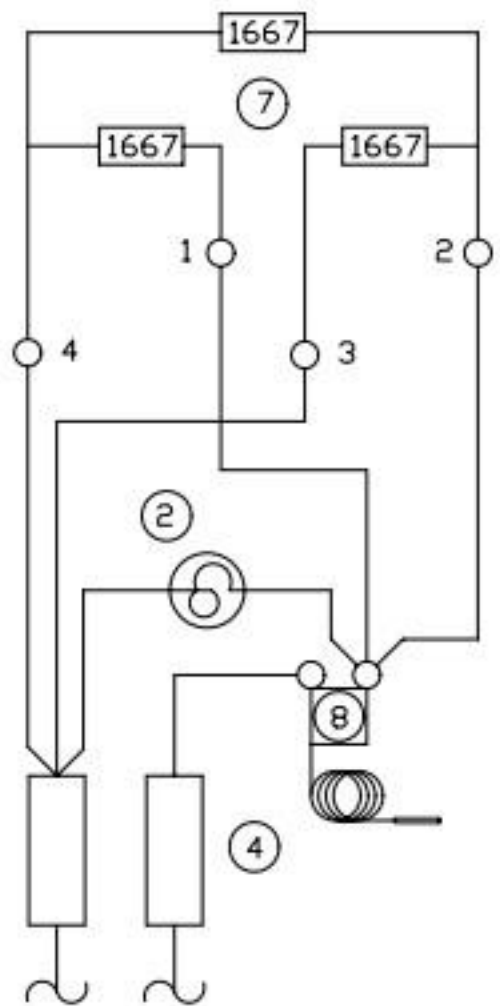
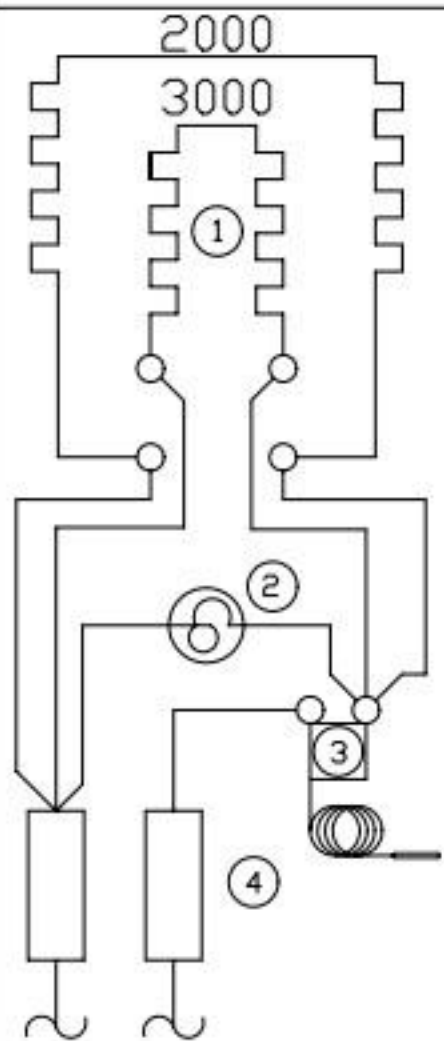
POWER SUPPLY	TERMINAL BLOCK	RANGE TOP	OVEN		
			1st DECK	2nd DECK	3rd DECK
SINGLE PHASE	L1	1-3-5	1	1	1
	L2	2-4-6	2	2	2
THREE PHASE	L1	3	1	1	-
	L2	1-5	2	-	1
	L3	2-4-6	-	2	2

ELECTRICAL DATA

MODEL NUMBER	LOADING					KW TOTAL	THREE PHASE AMPS						SINGLE PHASE AMPS	
	KW PER PHASE						208 VOLT			240 VOLT			208V	240V
	L1	L2	L2	L3	L3		L1	L2	L3	L1	L2	L3		
RF-21S	6.6	10.0	5.0	21.6	48.3	69.2	62.5	41.9	59.9	54.2	103.8	90.0		
1F-6S	6.6	0.0	0.0	6.6	31.7	31.7	00.0	27.5	27.5	0.0	31.7	27.5		
2F-6S	6.6	0.0	6.6	13.2	55.0	31.7	31.7	47.7	27.5	27.5	63.5	55.0		
3F-6S	6.6	6.6	6.6	19.8	55.0	55.0	55.0	47.7	47.7	47.7	95.2	82.5		

USE ON ALL E SERIAL NUMBERS

# TOP SECTION WIRE DIAGRAMS



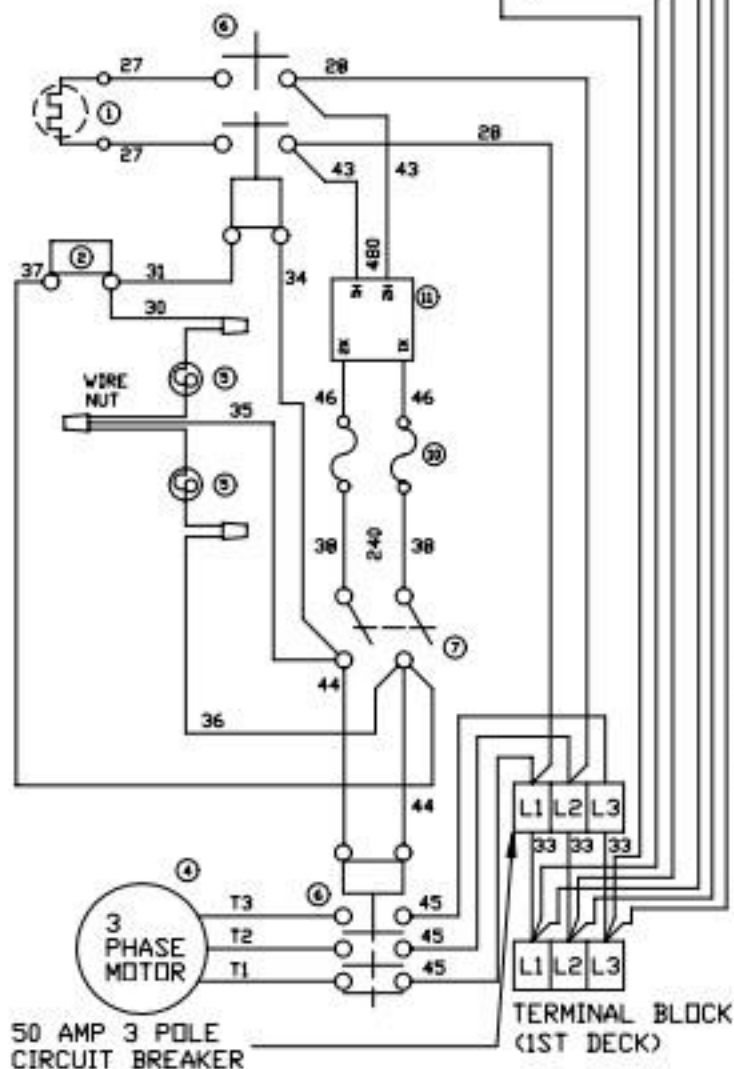
## OVEN WIRING

2ND AND 3RD DECK  
WIRING IDENTICAL  
TO 1ST DECK1ST DECK  
TERMINAL BLOCK

1 2 3

2ND DECK  
TERMINAL BLOCK

1 2 3

50 AMP 3 POLE  
CIRCUIT BREAKERTERMINAL BLOCK  
(1ST DECK)

## MODEL DESIGNATION

## TOP ARRANGEMENT

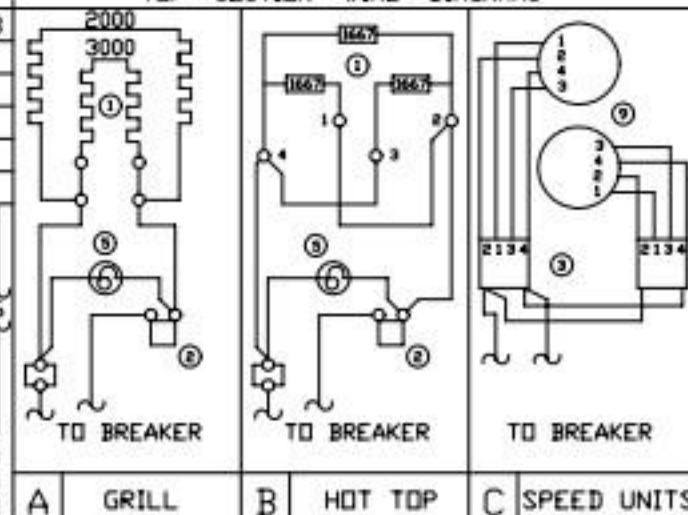
SEC-1 SEC-2 SEC-3

RF21S-A	A	A	C
RF21S-C	B	B	B
RF21S-D	B	B	C
RF21S-G	A	A	A
RF21S-H	C	C	C

- ① HEAT ELEMENT
- ② THERMOSTAT
- ③ 6 HEAT SWITCH
- ④ MOTOR
- ⑤ PILOT LAMP
- ⑥ CONTACTOR
- ⑦ POWER SWITCH
- ⑧ SPEED UNIT
- ⑨ FUSE
- ⑩ TRANSFORMER

OVEN 3 POLE  
CIRCUIT  
BREAKER

## TOP SECTION WIRE DIAGRAMS



A GRILL B HOT TOP C SPEED UNITS

CONNECT WIRE FROM RANGE  
TOP TO OVEN CIRCUIT  
BREAKER. CONNECT WIRES  
FROM ADDITIONAL DECKS  
TO LOWER OVEN TERMINAL  
BLOCK

## ELECTRICAL CONNECTIONS

POWER SUPPLY	RANGE TOP CONNECT TO OVEN CIRCUIT BREAKER	UPPER OVENS CONNECT TO BOTTOM DECK TERMINAL BLOCK		
		1st DECK	2nd DECK	3rd DECK
THREE PHASE	L1	3	1	2
	L2	1-5	2	3
	L3	2-4-6	3	1

## CONVECTION OVEN/RANGE ELECTRICAL DATA

MODEL NUMBER	LOADING					TOTAL CONN. LOAD	AMPS THREE PHASE 480 VAC		
	KW/PHASE						L1	L2	L3
	L1	L2	L2	L3	L3				
RF-21S	6.2	10.2	5.2	21.6	20.1	29.5	27.7		
1F-6S	6.2	0.2	0.2	6.6	13.2	13.2	.66		
2F-6S	6.4	0.4	6.4	13.2	23	13.9	13.9		
3F-6S	6.6	6.6	6.6	19.8	23.6	23.6	23.6		

CAUTION: CHECK OVEN FOR PROPER  
DIRECTION OF FAN ROTATIONCHANGE PHASING OF POWER IF  
NECESSARY TO CORRECT

USE ON ALL E SERIAL NUMBERS