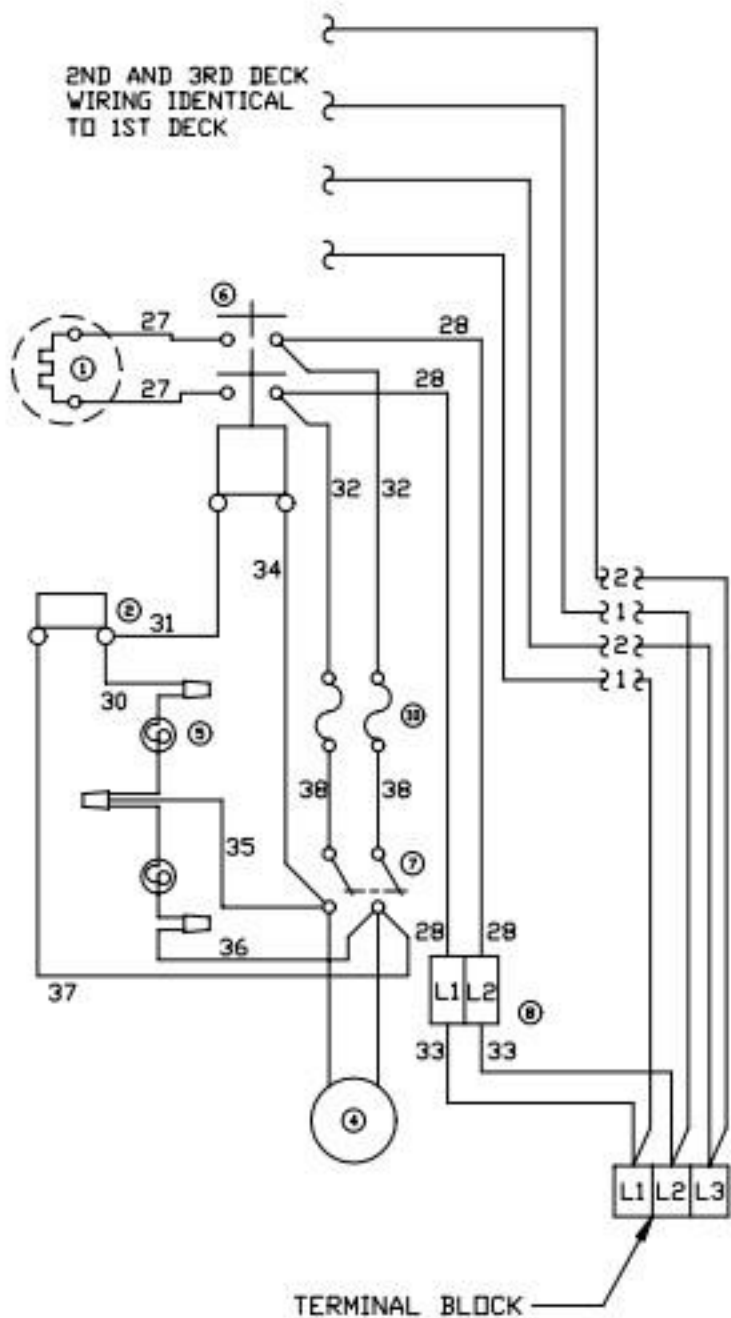


OVEN WIRING



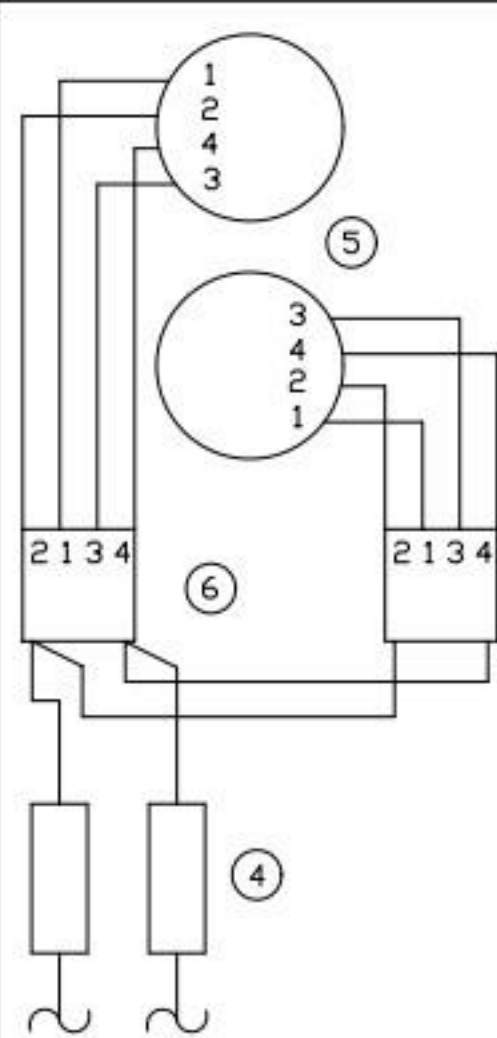
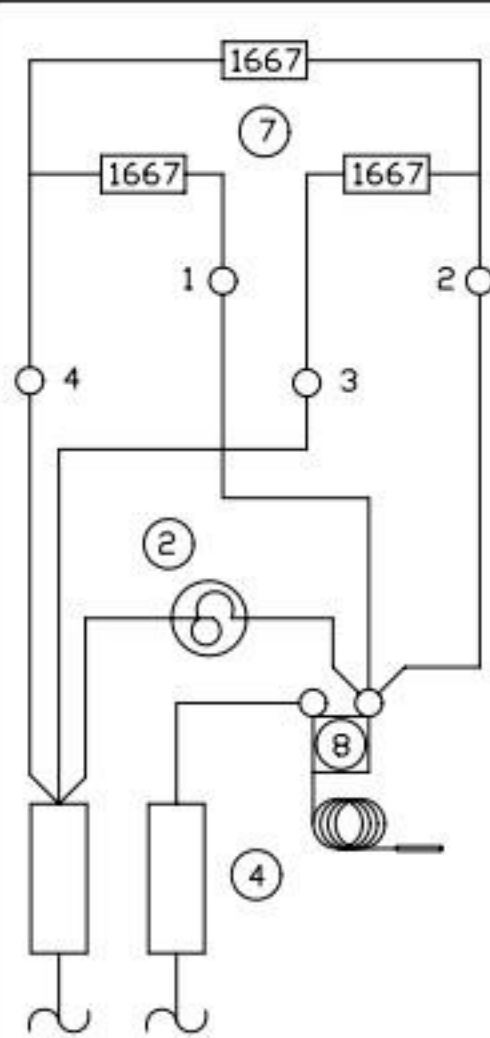
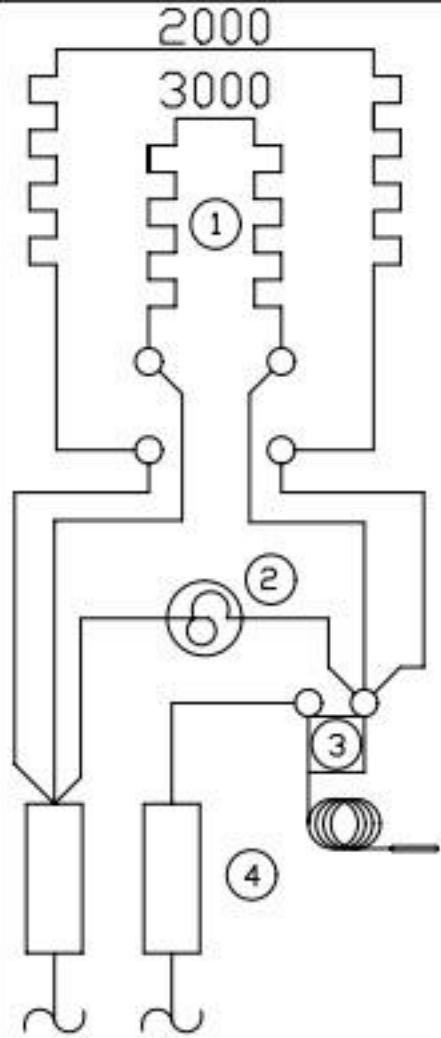
MODEL DESIGNATION	TOP ARRANGEMENT			TOP SECTION WIRE DIAGRAMS		
	SEC-1	SEC-2	SEC-3	A	B	C
RF219-A	A	A	C		A	GRILL
RF219-C	B	B	B			
RF219-D	B	B	C			
RF219-G	A	A	A			
RF219-H	C	C	C			
① HEAT ELEMENT ② THERMOSTAT ③ 6 HEAT SWITCH ④ MOTOR ⑤ PILOT LAMP ⑥ CONTACTOR ⑦ POWER SWITCH ⑧ CIRCUIT BREAKER ⑨ SPEED UNIT ⑩ FUSE						

CONNECT WIRES FROM RANGE TOP OR ADDITIONAL DECKS TO LOWER OVEN TERMINAL BLOCK AS SHOWN AT RIGHT

ELECTRICAL CONNECTIONS					
POWER SUPPLY	TERMINAL BLOCK	RANGE TOP	OVEN		
			1st DECK	2nd DECK	3rd DECK
SINGLE PHASE	L1	1-3-5	1	1	1
	L2	2-4-6	2	2	2
THREE PHASE	L1	3	1	1	-
	L2	1-5	2	-	1
	L3	2-4-6	-	2	2

MODEL NUMBER	LOADING					KW TOTAL	THREE PHASE AMPS						SINGLE PHASE AMPS	
	KW PER PHASE						208 VOLT			240 VOLT			208V	240V
	L1	L2	L2	L3	L3		L1	L2	L3	L1	L2	L3		
	L1	L2	L3	L1										
RF-21S	6.6	10.0	5.0	21.6	48.3	69.2	62.5	41.9	59.9	54.2	103.8	90.0		
1F-6S	6.6	0.0	0.0	6.6	31.7	31.7	00.0	27.5	27.5	0.0	31.7	27.5		
2F-6S	6.6	0.0	6.6	13.2	55.0	31.7	31.7	47.7	27.5	27.5	63.5	55.0		
3F-6S	6.6	6.6	6.6	19.8	55.0	55.0	55.0	47.7	47.7	47.7	95.2	82.5		

USE ON ALL E SERIAL NUMBERS



OVEN WIRING

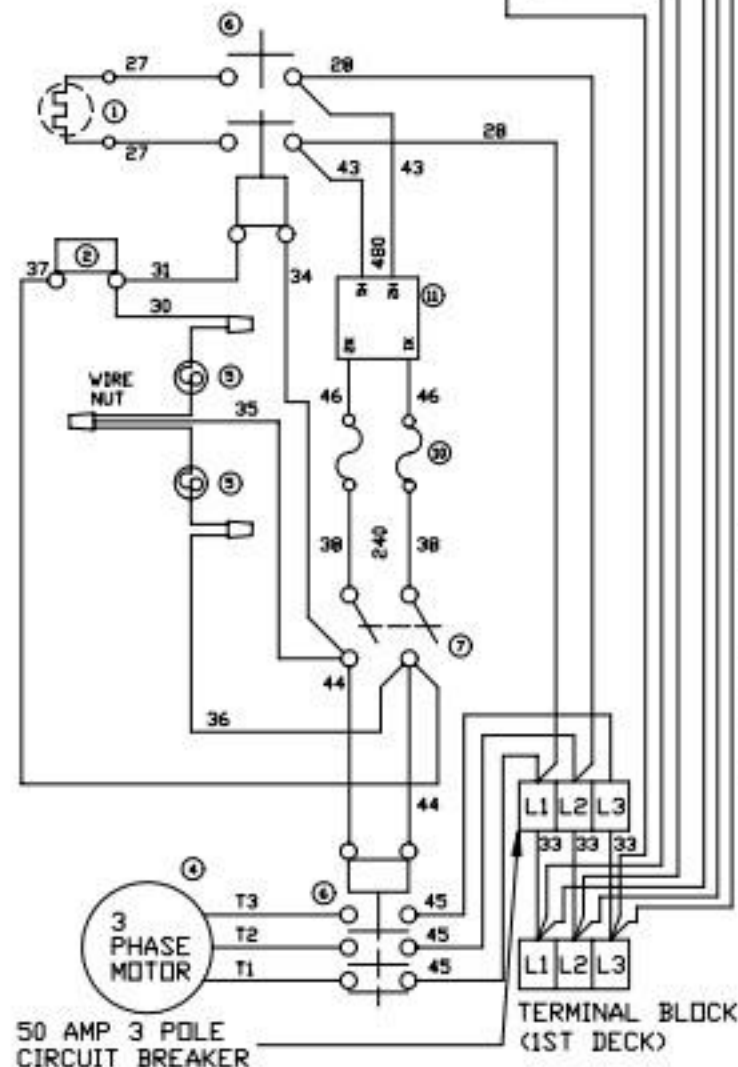
2ND AND 3RD DECK
WIRING IDENTICAL
TO 1ST DECK

1ST DECK
TERMINAL BLOCK

1 2 3

2ND DECK
TERMINAL BLOCK

1 2 3



MODEL DESIGNATION

TOP ARRANGEMENT

SEC-1 SEC-2 SEC-3

RF21S-A
RF21S-C
RF21S-D
RF21S-G
RF21S-H

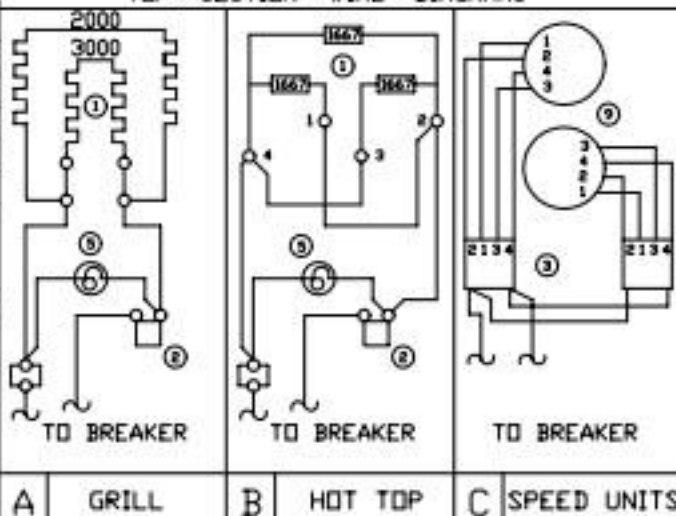
A A C
B B B
B B C
A A A
C C C

- ① HEAT ELEMENT
- ② THERMOSTAT
- ③ 6 HEAT SWITCH
- ④ MOTOR
- ⑤ PILOT LAMP
- ⑥ CONTACTOR
- ⑦ POWER SWITCH
- ⑨ SPEED UNIT
- ⑩ FUSE
- ⑪ TRANSFORMER

OVEN 3 POLE
CIRCUIT
BREAKER

L1 L2 L3

TOP SECTION WIRE DIAGRAMS



ELECTRICAL CONNECTIONS

CONNECT WIRE FROM RANGE
TOP TO OVEN CIRCUIT
BREAKER. CONNECT WIRES
FROM ADDITIONAL DECKS
TO LOWER OVEN TERMINAL
BLOCK

POWER SUPPLY	RANGE TOP CONNECT TO OVEN CIRCUIT BREAKER	UPPER OVENS CONNECT TO BOTTOM DECK TERMINAL BLOCK		
		1st DECK	2nd DECK	3rd DECK
THREE PHASE	L1	3	1	2
	L2	1-5	2	3
	L3	2-4-6	3	1

CONVECTION OVEN/RANGE ELECTRICAL DATA

MODEL NUMBER	LOADING			TOTAL CONN. LOAD	AMPS THREE PHASE 480 VAC		
	KW/PHASE				L1	L2	L3
	L1 L2	L2 L3	L3 L1				
RF-21S	6.2	10.2	5.2	21.6	20.1	29.5	27.7
1F-6S	6.2	0.2	0.2	6.6	13.2	13.2	.66
2F-6S	6.4	0.4	6.4	13.2	23	13.9	13.9
3F-6S	6.6	6.6	6.6	19.8	23.6	23.6	23.6

CAUTION: CHECK OVEN FOR PROPER
DIRECTION OF FAN ROTATION
CHANGE PHASING OF POWER IF
NECESSARY TO CORRECT

USE ON ALL E SERIAL NUMBERS