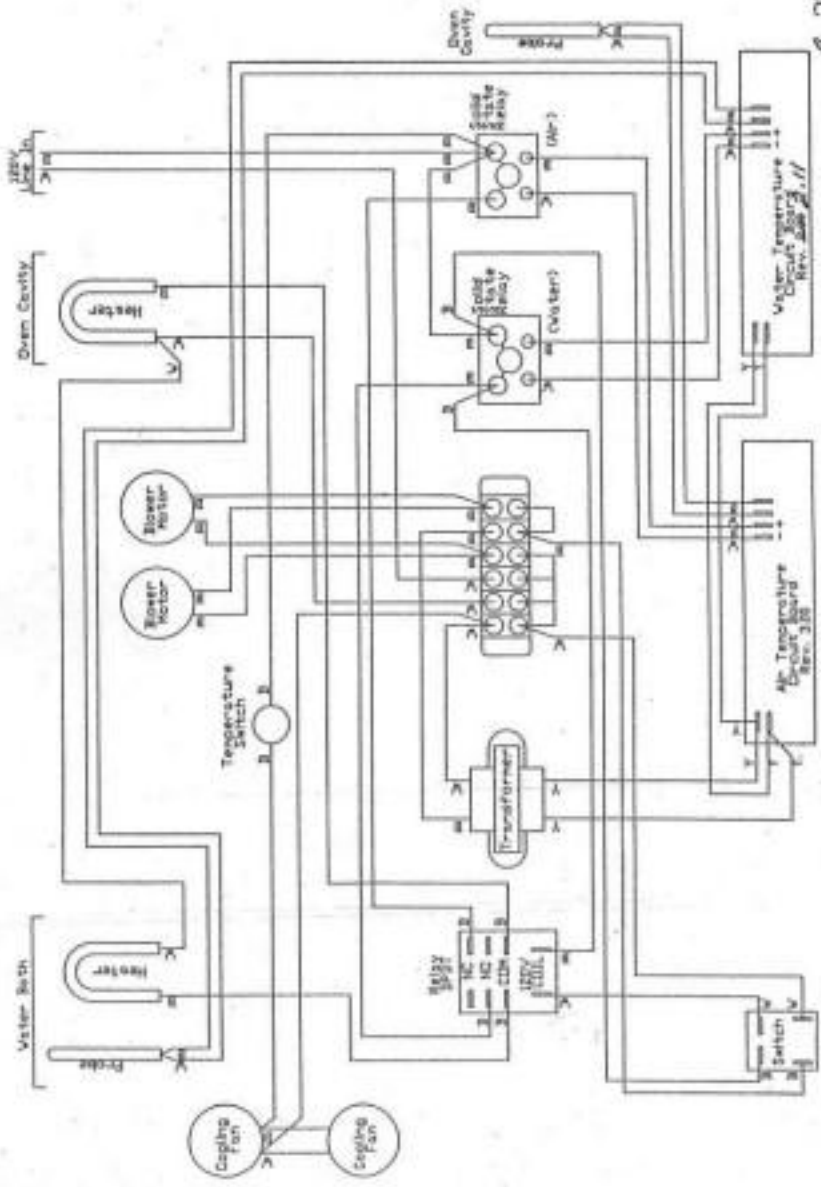


4-22-03



C1 & C2 Two Elements  
C3 & C4 Four Elements

