



# 13ADA

Parts List  
30-September-2017



*This parts list is current as of the above revision date.  
See <http://www.rheempartslists.net/92-42805-13ADA.pdf> for the current revision.*

**Condensing Units**

# Table of Contents

Model Explanation .....	Page 3
<b>Parts Numbers</b>	
Panels - Miscellaneous (Granite-Steel Gray) .....	Page 4
Panels - Miscellaneous (Neutra Green) .....	Page 5
Electrical-Fan Group .....	Page 6
Coil Parts .....	Page 7
Compressor Group .....	Page 8
Accessories .....	Page 9
<b>Drawings/Photographs</b>	
Exploded View .....	Page 10
Valve Mounting Assembly .....	Page 11
Control Box .....	Page 12
Notes/Disclaimer .....	Page 13

**MODEL NUMBER EXPLANATION**

<b>1</b>	<b>3</b>	<b>A</b>	<b>D</b>	<b>A</b>	<b>3</b>	<b>6</b>	<b>A</b>	<b>0</b>	<b>1</b>
1		2	3	4	5		6		7

- |  |  |
|--|--|
| <p>(1) <b>SEER</b><br/>13 = SEER RATING</p> <p>(2) <b>MODEL</b><br/>A = Air Conditioner</p> <p>(3) <b>VOLTAGE</b><br/>D = 460/3/60</p> <p>(4) <b>DESIGN SERIES</b></p> | <p>(5) <b>COOLING CAPACITY (BTU/HR)</b><br/>036= 36,000<br/>042= 42,000<br/>048= 48,000<br/>060= 60,000</p> <p>(6) <b>CABINET</b><br/>A = Full Metal Jacket<br/>C = POE Compressor Oil</p> <p>(7) <b>NAMEPLATE</b></p> |
|--|--|

**SERIAL NUMBER EXPLANATION (Units Produced before Nov. 2013)**

<b>8</b>	<b>3</b>	<b>7</b>	<b>3</b>	<b>W</b>	<b>5</b>	<b>2</b>	<b>1</b>	<b>0</b>	<b>9</b>	<b>9</b>	<b>9</b>	<b>9</b>	<b>9</b>
	1			2		3		4				5	

- (1) **COMPRESSOR IDENTIFICATION NUMBER**
- (2) **PRODUCTION LOCATION**
- (3) **WEEK OF PRODUCTION**
- (4) **YEAR OF PRODUCTION**
- (5) **PRODUCTION NUMBER**

**SERIAL NUMBER EXPLANATION (Units Produced after Nov. 2013)**

<b>W</b>	<b>0</b>	<b>8</b>	<b>1</b>	<b>3</b>	<b>9</b>	<b>9</b>	<b>9</b>	<b>9</b>
(1)		(2)		(3)				(4)

- (1) **PLANT CODE**
- (2) **WEEK OF PRODUCTION**
- (3) **YEAR OF PRODUCTION**
- (4) **PRODUCTION NUMBER**

**Note: For Compressor Identification Number, see Compressor Code on Rating Plate**

No.	Notes	MODEL COOLING CAPACITY VARIATION	13ADA 36 A01/C01	13ADA 42 A01/C01	13ADA 48 A01/C01	13ADA 60 A01/C01
<b>SHEET METAL PARTS, MISCELLANEOUS (Granite/Steel Gray, After Date Code 4811)</b>						
1		Cabinet	AE-100726-83	AE-100726-83	AE-100726-83	AE-100726-84
2		Cabinet Panel	AE-100727-83	AE-100727-83	AE-100727-83	AE-100727-84
5		Base Pan	AE-101588-03	AE-101588-03	AE-101588-03	AE-101588-03
6		Control Box (2 inch O.D. Capacitor)	AE-100654-81	AE-100654-81	AE-100654-81	AE-100654-83
7		Control Box Cover	AE-100657-81	AE-100657-81	AE-100657-81	AE-100657-81
8		Top Panel	AE-100652-83	AE-100652-83	AE-100652-83	AE-100652-83
10		Grille	95-102925-04	95-102925-04	95-102925-04	95-102925-04
		Center Cap - Blank (for Grille)	91-101123-09	91-101123-09	91-101123-09	91-101123-09
14		Valve Mounting Panel	AE-57780-01	AE-57780-01	AE-57780-01	AE-100185-81
16		Service Valve - Suction	See Coil Group			
17		Service Valve - Liquid	See Coil Group			
19		Low Voltage Cover	AE-57756-01	AE-57756-01	AE-57756-01	AE-57756-01
		Touch-up Paint - Granite/Steel Gray (Aerosol)	PD523018	PD523018	PD523018	PD523018
		Touch-up Paint - Granite/Steel Gray (Paint Pens)	PD523019	PD523019	PD523019	PD523019

No.	Notes	MODEL COOLING CAPACITY VARIATION	13ADA 36 A01	13ADA 42 A01	13ADA 48 A01	13ADA 60 A01
<b>SHEET METAL PARTS, MISCELLANEOUS (Neutra Green, Before Date Code 4811)</b>						
1		Cabinet	AE-100726-53	AE-100726-53	AE-100726-53	AE-100726-54
2		Cabinet Panel	AE-100727-53	AE-100727-53	AE-100727-53	AE-100727-54
5		Base Pan	AE-101588-03	AE-101588-03	AE-101588-03	AE-101588-03
6		Control Box (2 inch O.D. Capacitor)	AE-100654-51	AE-100654-51	AE-100654-51	AE-100654-53
7		Control Box Cover	AE-100657-51	AE-100657-51	AE-100657-51	AE-100657-51
8		Top Panel	AE-100652-53	AE-100652-53	AE-100652-53	AE-100652-53
10		Grille	95-102925-04	95-102925-04	95-102925-04	95-102925-04
		Center Cap - Blank (for Grille)	91-101123-09	91-101123-09	91-101123-09	91-101123-09
14		Valve Mounting Panel	AE-57780-01	AE-57780-01	AE-57780-01	AE-100185-51
16		Service Valve - Suction	See Coil Group			
17		Service Valve - Liquid	See Coil Group			
19		Low Voltage Cover	AE-57756-01	AE-57756-01	AE-57756-01	AE-57756-01
		Touch-up Paint - Green (Aerosol)	523010	523010	523010	523010
		Touch-up Paint - Green (Paint Pens)	52-18662-48	52-18662-48	52-18662-48	52-18662-48

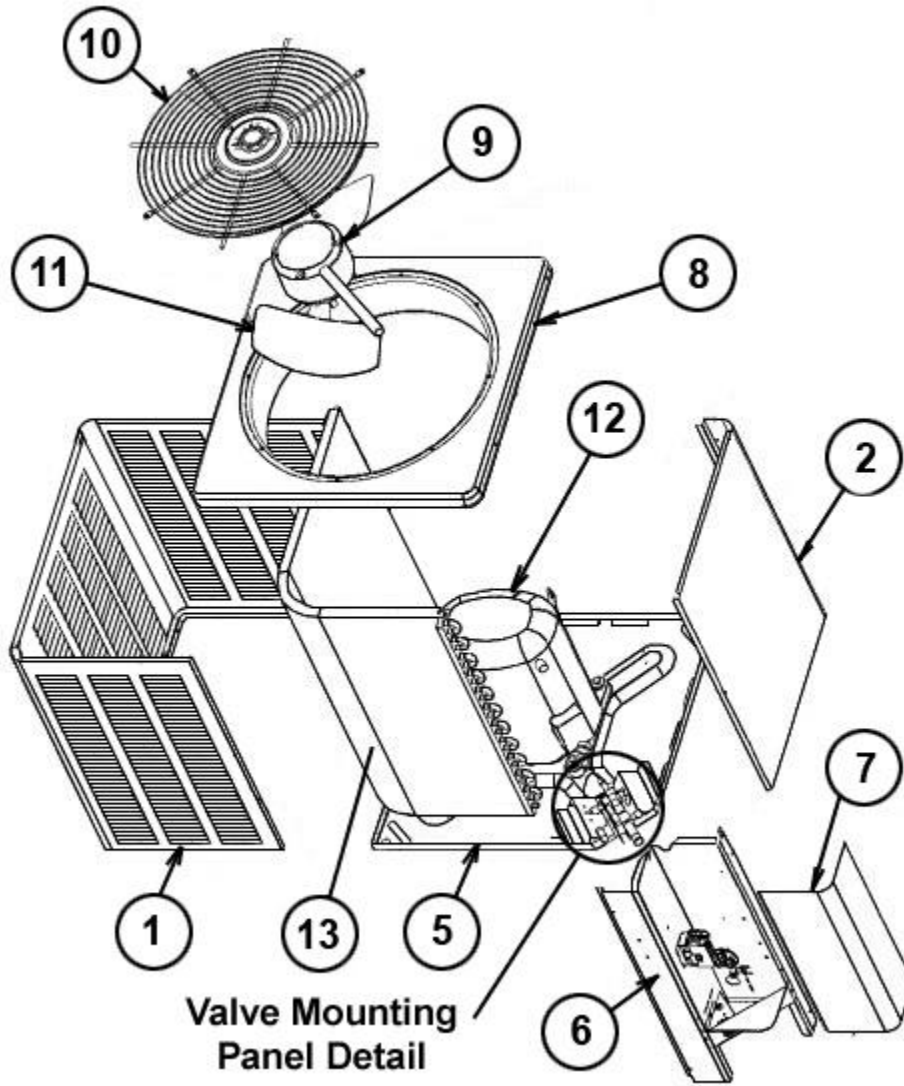
No.	Notes	MODEL COOLING CAPACITY VARIATION	13ADA 36 A01/C01	13ADA 42 A01/C01	13ADA 48 A01/C01	13ADA 60 A01/C01
<b>ELECTRICAL/FAN GROUP</b>						
9	Stk	Fan Motor	51-101774-06	51-101774-06	51-101774-05	51-101774-05
11	Stk	Fan Blade	70-102011-03	70-102011-03	70-102011-10	70-102011-10
18	Stk	Contactora	42-40594-14	42-40594-14	42-40594-14	42-22464-03
19		Low Voltage Cover	See Panels - Miscellaneous			
20		Control Box Bottom	AE-100655-01	AE-100655-01	AE-100655-01	AE-100655-01
21		Capacitor - Fan	See Compressor Group			

No.	Notes	MODEL COOLING CAPACITY VARIATION	13ADA 36 A01/C01	13ADA 42 A01/C01	13ADA 48 A01/C01	13ADA 60 A01/C01
<b>COIL GROUP</b>						
13	Stk	Condenser Coil	AS-101761-03	AS-101761-03	AS-101761-03	AS-101763-03
		Distributor - Three Way (3/8 in. to 3/8 in.)	83-17467-07	83-17467-07	83-17467-07	N/A
		Distributor - Three Way (1/2 in. to 3/8 in.)	83-17467-06	83-17467-06	83-17467-06	N/A
15		Valve Mounting Bracket	AE-57781-02	AE-57781-02	AE-57781-02	AE-57781-02
16		Service Valve - Suction	61-21368-22	61-21368-08	61-21368-08	61-21368-08
17		Service Valve - Liquid	61-21368-05	61-21368-05	61-21368-05	61-21368-05
	Stk	Filter Drier	83-26186-02	83-26186-02	83-26186-02	83-26186-02

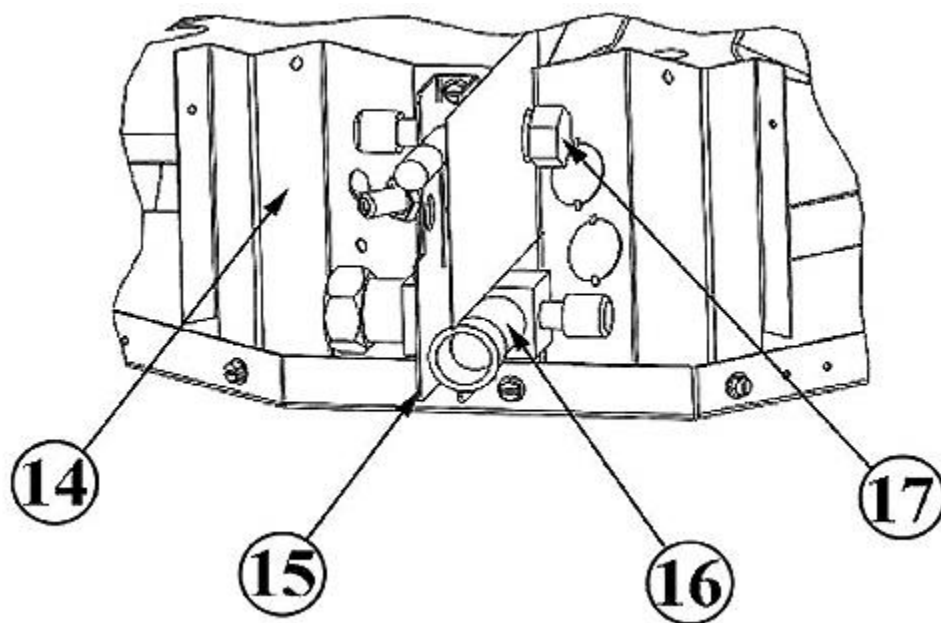
No.	Notes	MODEL COOLING CAPACITY VARIATION	13ADA 36 A01	13ADA 42 A01	13ADA 48 A01	13ADA 60 A01
<b>COMPRESSOR GROUP</b>						
		<b>Compressor ID:</b>	<b>8373</b>	<b>8375</b>	<b>8377</b>	<b>8379</b>
12	Stk	Compressor	55-102045-75S	55-102045-77S	55-102045-79S	55-102045-81S
21	Stk	Capacitor - Fan	43-101666-59	43-101666-59	43-101666-59	43-101666-59
	Stk	Compressor Wiring Harness (Molded Plug)	45-100834-80	45-100834-80	45-100834-80	45-100834-80

No.	Notes	MODEL COOLING CAPACITY VARIATION	13ADA 36 C01	13ADA 42 C01	13ADA 48 C01	13ADA 60 C01
<b>COMPRESSOR GROUP</b>						
		<b>Compressor ID:</b>	<b>8943</b>	<b>8945</b>	<b>8947</b>	<b>8949</b>
12	Stk	Compressor	55-102045-109	55-102045-111	55-102045-113	55-102045-116
21	Stk	Capacitor - Fan	43-101666-59	43-101666-59	43-101666-59	43-101666-59
	Stk	Compressor Wiring Harness (Molded Plug)	45-100834-80	45-100834-80	45-100834-80	45-100834-80

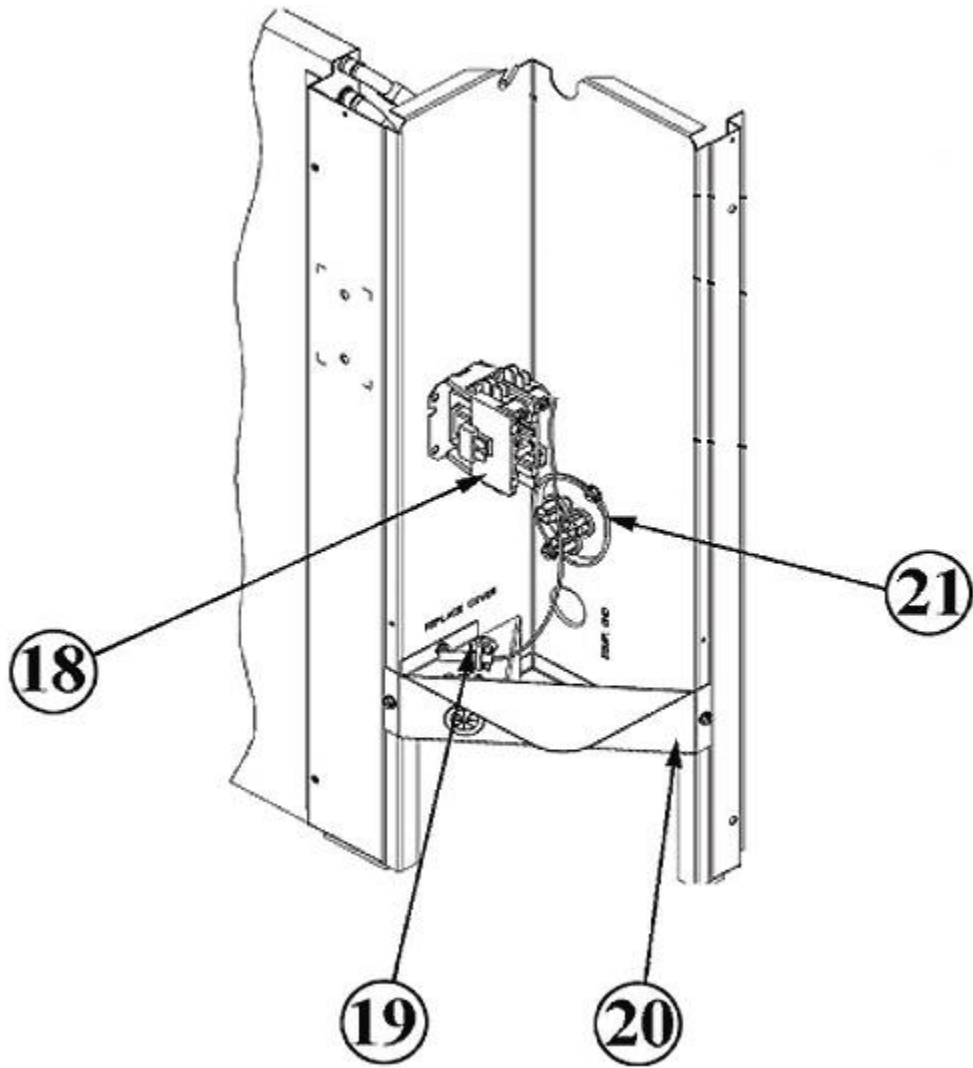
No.	Notes	MODEL COOLING CAPACITY VARIATION	13ADA ALL ALL
<b>ACCESORIES</b>			
		Low Ambient Control	RXAD-A04
		Compressor Time Delay Control	RXMD-B01
		High Pressure Control	RXAB-A03
		Low Pressure Control	RXAC-A03



Exploded View



Valve Mounting Assembly



Control Box

# NOTES

Stk It is recommended that stock be maintained for this part.  
N/A Not Applicable

**DISCLAIMER:** This document is intended to provide general replacement parts information to aid qualified service personnel in the repair of these models. The complete Model and Serial Number of the unit under repair should be specified when selecting and ordering replacement parts. Specifications and illustrations are subject to change without notice. Document 92-42805-13ADA supersedes all previous parts lists for these models. See <http://www.rheempartslists.net/92-42805-13ADA> for the latest revision of this document. The manufacturer assumes no obligation for errors or omissions. Service personnel must verify the proper and safe operation of equipment after the replacement of any original components.