



RA13

Parts List
04-March-2021



*This parts list is current as of the above revision date.
See <http://www.rheempartslists.net/92-42800-RA13.pdf> for the current revision.*

Condensing Units

Table of Contents

Model Explanation	Page 3
Parts Numbers	
Panels - Miscellaneous (1)	Page 4
Panels - Miscellaneous (2)	Page 5
Electrical-Fan Group (1)	Page 6
Electrical-Fan Group (2)	Page 7
Coil Parts	Page 8
Compressor Group (1)	Page 9
Compressor Group (2)	Page 10
Accessories	Page 11
Drawings/Photographs	
Exploded View	Page 12
Control Box (1)	Page 13
Control Box (2)	Page 13
Valve Mounting, Compressor	Page 14
Notes/Disclaimer	Page 15

MODEL NUMBER EXPLANATION

R	A	1	3	1	8	A	J	1	N	A
1	2	3		4		5	6	7	8	9

- | | |
|--|--|
| <p>(1) Brand</p> <p>(2) Product Category
A = Air Conditioner</p> <p>(3) Seer
13 = 13 SEER</p> <p>(4) COOLING CAPACITY (BTU/HR)
18 = 18,000
24 = 24,000
30 = 30,000
36 = 36,000
42 = 42,000
48 = 48,000
60 = 60,000</p> | <p>(5) MAJOR SERIES
A = First Design Series
B = Second Design Series</p> <p>(6) VOLTAGE
J = 208-230/1/60
C = 208-230/3/60
D = 460/3/60
Y = 575/3/60</p> <p>(7) TYPE
1 = Single Stage</p> <p>(8) CONTROLS
N = Non-Communicating</p> <p>(9) MINOR SERIES
A = First Design Series
B = Second Design Series (LPC/HPC)</p> |
|--|--|

SERIAL NUMBER EXPLANATION

W	0	8	1	3	9	9	9	9
(1)	(2)		(3)		(4)			

- (1) **PLANT CODE**
W = West Nuevo Laredo
- (2) **WEEK OF PRODUCTION**
- (3) **YEAR OF PRODUCTION**
- (4) **PRODUCTION NUMBER**

Note: For Compressor Identification Number, see Compressor Code on Rating Plate

No.	Notes	MODEL COOLING CAPACITY VARIATION	RA13 36 AC1NB	RA13 42 AC1NB	RA13 48 AC1NB	RA13 60 AC1NB	
SHEET METAL PARTS, MISCELLANEOUS							
1		Front Panel	AE-104456-01	AE-104456-15	AE-104456-03	AE-104456-35	
2		Left Panel (Badge Panel)	AE-104456-12	AE-104456-17	AE-104456-21	AE-104456-37	
3		Back Panel	AE-104456-02	AE-104456-16	AE-104456-04	AE-104456-36	
4		Right Panel	AE-104456-01	AE-104456-15	AE-104456-03	AE-104456-35	
5		Base Pan	68-104457-01	68-104457-01	68-104457-02	68-104457-03	
6		Control Box - Before W1017	AE-104461-01	AE-104461-01	AE-104461-01	AE-104461-01	
6		Control Box - On or After W1017	AE-104461-05	AE-104461-05	AE-104461-05	AE-104461-05	
7		Control Box Cover	AS-104462-01H	AS-104462-01H	AS-104462-01H	AS-104462-01H	
8		Control Box Bracket	AS-104460-02H	AS-104460-03H	AS-104460-02H	AS-104460-03H	
9		Service Door	AS-104525-01H	AS-104525-01H	AS-104525-01H	AS-104525-01H	
10		Center Post (2)	AS-104459-03H	AS-104459-05H	AS-104459-03H	AS-104459-05H	
12		Corner Post - Louvered	AS-104469-02H (3)	AS-104469-03H (3)	AS-104469-02H (3)	AS-104469-03H (3)	
13		Top Panel	AS-104458-01H	AS-104458-01H	AS-104458-02H	AS-104458-03H	
14		Venturi	68-104464-02	68-104464-02	68-104464-04	68-104464-05	
15		Grille	95-104620-01	95-104620-01	95-104620-02	95-104620-03	
		Center Cap - Blank (for Grille)	91-101123-00	91-101123-00	91-101123-00	91-101123-00	
		Service Valve - Suction			See Coil Group		
		Service Valve - Liquid			See Coil Group		
		Touch-up Paint - Granite/Steel Gray (Aerosol)	PD523018	PD523018	PD523018	PD523018	
		Touch-up Paint - Granite/Steel Gray (Paint Pens)	PD523019	PD523019	PD523019	PD523019	

No.	Notes	MODEL COOLING CAPACITY VARIATION	RA13 36 AD1NB	RA13 42 AD1NB	RA13 48 AD1NB	RA13 60 AD1NB	
SHEET METAL PARTS, MISCELLANEOUS							
1		Front Panel	AE-104456-01	AE-104456-15	AE-104456-03	AE-104456-35	
2		Left Panel (Badge Panel)	AE-104456-12	AE-104456-17	AE-104456-21	AE-104456-37	
3		Back Panel	AE-104456-02	AE-104456-16	AE-104456-04	AE-104456-36	
4		Right Panel	AE-104456-01	AE-104456-15	AE-104456-03	AE-104456-35	
5		Base Pan	68-104457-01	68-104457-01	68-104457-02	68-104457-03	
6		Control Box - Before W1017	AE-104461-01	AE-104461-01	AE-104461-01	AE-104461-01	
6		Control Box - On or After W1017	AE-104461-05	AE-104461-05	AE-104461-05	AE-104461-05	
7		Control Box Cover	AS-104462-01H	AS-104462-01H	AS-104462-01H	AS-104462-01H	
8		Control Box Bracket	AS-104460-02H	AS-104460-03H	AS-104460-02H	AS-104460-03H	
9		Service Door	AS-104525-01H	AS-104525-01H	AS-104525-01H	AS-104525-01H	
10		Center Post (2)	AS-104459-03H	AS-104459-05H	AS-104459-03H	AS-104459-05H	
12		Corner Post - Louvered	AS-104469-02H (3)	AS-104469-03H (3)	AS-104469-02H (3)	AS-104469-03H (3)	
13		Top Panel	AS-104458-01H	AS-104458-01H	AS-104458-02H	AS-104458-03H	
14		Venturi	68-104464-02	68-104464-02	68-104464-04	68-104464-05	
15		Grille	95-104620-01	95-104620-01	95-104620-02	95-104620-03	
		Center Cap - Blank (for Grille)	91-101123-00	91-101123-00	91-101123-00	91-101123-00	
		Service Valve - Suction			See Coil Group		
		Service Valve - Liquid			See Coil Group		
		Touch-up Paint - Granite/Steel Gray (Aerosol)	PD523018		PD523018		
		Touch-up Paint - Granite/Steel Gray (Paint Pens)	PD523019		PD523019		

No.	Notes	MODEL COOLING CAPACITY VARIATION	RA13 18 AJ1NA/B	RA13 24 AJ1NA/B	RA13 30 AJ1NA/B	RA13 36 AJ1NA/B	RA13 42 AJ1NA/B	
SHEET METAL PARTS, MISCELLANEOUS								
1		Front Panel	AE-104456-01	AE-104456-07	AE-104456-07	AE-104456-01	AE-104456-15	
2		Left Panel (Badge Panel)	AE-104456-12	AE-104456-09	AE-104456-09	AE-104456-12	AE-104456-17	
3		Back Panel	AE-104456-14	AE-104456-08	AE-104456-08	AE-104456-02	AE-104456-16	
4		Right Panel - Solid	AE-104456-13	AE-104456-10	AE-104456-10	AE-104456-01	AE-104456-15	
5		Base Pan	68-104457-01	68-104457-01	68-104457-01	68-104457-01	68-104457-01	
6		Control Box - Before W1017	AE-104461-01	AE-104461-01	AE-104461-01	AE-104461-01	AE-104461-01	
6		Control Box - On or After W1017	AE-104461-05	AE-104461-05	AE-104461-05	AE-104461-05	AE-104461-05	
7		Control Box Cover	AS-104462-01H	AS-104462-01H	AS-104462-01H	AS-104462-01H	AS-104462-01H	
8		Control Box Bracket	AS-104460-02H	AS-104460-01H	AS-104460-01H	AS-104460-02H	AS-104460-03H	
9		Service Door	AS-104525-01H	AS-104525-01H	AS-104525-01H	AS-104525-01H	AS-104525-01H	
10		Center Post (2)	AS-104459-03H	AS-104459-01H	AS-104459-01H	AS-104459-03H	AS-104459-05H	
12		Corner Post - Solid	AS-104469-09H (2)	AS-104469-08H (1)	AS-104469-08H (1)	N/A	N/A	
12		Corner Post - Louvered	AS-104469-02H (1)	AS-104469-01H (2)	AS-104469-01H (2)	AS-104469-02H (3)	AS-104469-03H (3)	
13		Top Panel	AS-104458-01H	AS-104458-01H	AS-104458-01H	AS-104458-01H	AS-104458-01H	
14		Venturi	68-104464-02	68-104464-02	68-104464-02	68-104464-02	68-104464-02	
15		Grille	95-104620-01	95-104620-01	95-104620-01	95-104620-01	95-104620-01	
		Center Cap - Blank (for Grille)	91-101123-00	91-101123-00	91-101123-00	91-101123-00	91-101123-00	
		Service Valve - Suction	See Coil Group					
		Service Valve - Liquid	See Coil Group					
		Touch-up Paint - Granite/Steel Gray (Aerosol)	PD523018	PD523018	PD523018	PD523018	PD523018	
		Touch-up Paint - Granite/Steel Gray (Paint Pens)	PD523019	PD523019	PD523019	PD523019	PD523019	

No.	Notes	MODEL COOLING CAPACITY VARIATION	RA13 48 AJ1NA/B	RA13 60 AJ1NA/B	RA13 24 BJ1NA/B
SHEET METAL PARTS, MISCELLANEOUS					
1		Front Panel	AE-104456-03	AE-104456-35	AE-104456-07
2		Left Panel (Badge Panel)	AE-104456-21	AE-104456-37	AE-104456-09
3		Back Panel	AE-104456-04	AE-104456-36	AE-104456-08
4		Right Panel	AE-104456-03	AE-104456-35	AE-104456-07
5		Base Pan	68-104457-02	68-104457-03	68-104457-01
6		Control Box - Before W1017	AE-104461-01	AE-104461-01	N/A
6		Control Box - On or After W1017	AE-104461-05	AE-104461-05	AE-104461-05
7		Control Box Cover	AS-104462-01H	AS-104462-01H	AS-104462-01H
8		Control Box Bracket	AS-104460-02H	AS-104460-03H	AS-104460-01H
9		Service Door	AS-104525-01H	AS-104525-01H	AS-104525-01H
10		Center Post (2)	AS-104459-03H	AS-104459-05H	AS-104459-01H
12		Corner Post - Louvered	AS-104469-02H (3)	AS-104469-03H (3)	AS-104469-01H (3)
13		Top Panel	AS-104458-02H	AS-104458-03H	AS-104458-01H
14		Venturi	68-104464-04	68-104464-05	68-104464-02
15		Grille	95-104620-02	95-104620-03	95-104620-01
		Center Cap - Blank (for Grille)	91-101123-00	91-101123-00	91-101123-00
		Service Valve - Suction	See Coil Group		
		Service Valve - Liquid	See Coil Group		
		Touch-up Paint - Granite/Steel Gray (Aerosol)	PD523018	PD523018	PD523018
		Touch-up Paint - Granite/Steel Gray (Paint Pens)	PD523019	PD523019	PD523019

No.	Notes	MODEL COOLING CAPACITY VARIATION	RA13 36 AC1NB	RA13 42 AC1NB	RA13 60 AC1NB			
ELECTRICAL/FAN GROUP								
20	Stk	Fan Motor	51-101774-27	51-102008-18	51-102008-07			
21	Stk	Fan Blade	70-102345-16	70-101323-37	70-101323-27			
22	Stk	Contactora	42-102664-14	42-102664-14	42-102664-14			
23		Capacitor	See Compressor Group					
23a		Capacitor Strap	AE-104562-01	AE-104562-01	AE-104562-01			
25		Crankcase Heater	See Compressor Group					
26		Grounding Lug	45-19000-01	45-19000-01	45-19000-01			
		Low Ambient Control	See Accessories Group					
27	Stk	Low Pressure Control (Design Series 'B')	47-103670-08	47-103670-08	47-103670-08			
27a		Valve Body - Low Pressure Control	61-18542-01	61-18542-01	61-18542-01			
28	Stk	High Pressure Control (Design Series 'B')	47-102290-01	47-102290-01	47-102290-01			

No.	Notes	MODEL COOLING CAPACITY VARIATION	RA13 48 AC1NB	RA13 48 AJ1NA/B				
ELECTRICAL/FAN GROUP								
20	Stk	Fan Motor - Before Date Code W1215	51-102008-17	51-102008-17				
20	Stk	Fan Motor - From Date Code W1215 to W3615	51-101774-13	51-101774-13				
20	Stk	Fan Motor - On or after Date Code W3615	51-102008-07	51-102008-07				
21	Stk	Fan Blade - Before Date Code W3615	70-102011-03	70-102011-03				
21	Stk	Fan Blade - On or after Date Code W3615	70-101323-22	70-101323-22				
22	Stk	Contactora	42-102664-14	42-102664-10				
23		Capacitor - Before Date Code W1215	43-101666-58	43-101665-43				
23		Capacitor - From Date Code W1215 to W3615	43-101666-42	43-101665-53				
23		Capacitor - On or after Date Code W3615	43-101666-55	43-101665-47				
23a		Capacitor Strap	AE-104562-01	AE-104562-01				
25		Crankcase Heater	See Compressor Group					
26		Grounding Lug	45-19000-01	45-19000-01				
		Low Ambient Control	See Accessories Group					
27	Stk	Low Pressure Control (Design Series 'B')	47-103670-08	47-103670-08				
27a		Valve Body - Low Pressure Control	61-18542-01	61-18542-01				
28	Stk	High Pressure Control (Design Series 'B')	47-102290-01	47-102290-01				

No.	Notes	MODEL COOLING CAPACITY VARIATION	RA13 18 AJ1NA/B	RA13 24 AJ1NA/B	RA13 30 AJ1NA/B	RA13 36 AJ1NA/B	RA13 42 AJ1NA/B	RA13 60 AJ1NA/B
ELECTRICAL/FAN GROUP								
20	Stk	Fan Motor	51-102008-17	51-102008-17	51-101774-27	51-101774-27	51-102008-18	51-102008-07
21	Stk	Fan Blade	70-102345-17	70-101323-37	70-102345-16	70-102345-16	70-101323-37	70-101323-27
22	Stk	Contactora	42-102664-05	42-102664-05	42-102664-05	42-102664-05	42-102664-05	42-102664-10
23		Capacitor	See Compressor Group					
23a		Capacitor Strap	AE-104562-01	AE-104562-01	AE-104562-01	AE-104562-01	AE-104562-01	AE-104562-01
25		Crankcase Heater	See Compressor Group					
26		Grounding Lug	45-19000-01	45-19000-01	45-19000-01	45-19000-01	45-19000-01	45-19000-01
		Low Ambient Control	See Accessories Group					
27	Stk	Low Pressure Control (Design Series 'B')	47-103670-08	47-103670-08	47-103670-08	47-103670-08	47-103670-08	47-103670-08
27a		Valve Body - Low Pressure Control	61-18542-01	61-18542-01	61-18542-01	61-18542-01	61-18542-01	61-18542-01
28	Stk	High Pressure Control (Design Series 'B')	47-102290-01	47-102290-01	47-102290-01	47-102290-01	47-102290-01	47-102290-01
		Start Relay	42-100491-09	N/A	N/A	N/A	N/A	N/A
		Start Capacitor	43-17075-04	N/A	N/A	N/A	N/A	N/A

No.	Notes	MODEL COOLING CAPACITY VARIATION	RA13	RA13	RA13	RA13		
			36 AD1NB	42 AD1NB	48 AD1NB	60 AD1NB		
ELECTRICAL/FAN GROUP								
20	Stk	Fan Motor (Three-phase) - See Note 1	51-102008-26	51-102008-27	51-102008-28	51-102008-28		
20	Stk	Fan Motor (Single-phase) - See Note 1	51-101774-33	51-102008-18	51-101774-42	51-101774-38		
21	Stk	Fan Blade	70-102345-16	70-101323-37	70-101323-22	70-101323-27		
22	Stk	Contactactor	42-102664-14	42-102664-14	42-102664-14	42-102664-14		
23		Capacitor - Fan (Single-phase) - See Note 1	43-101666-58	43-101666-58	43-101666-42	43-101666-58		
23a		Capacitor Strap	AE-104562-01	AE-104562-01	AE-104562-01	AE-104562-01		
25		Crankcase Heater	See Compressor Group					
26		Grounding Lug	45-19000-01	45-19000-01	45-19000-01	45-19000-01		
		Low Ambient Control	See Accessories Group					
27	Stk	Low Pressure Control (Design Series 'B')	47-103670-08	47-103670-08	47-103670-08	47-103670-08		
27a		Valve Body - Low Pressure Control	61-18542-01	61-18542-01	61-18542-01	61-18542-01		
28	Stk	High Pressure Control (Design Series 'B')	47-102290-01	47-102290-01	47-102290-01	47-102290-01		

No.	Notes	MODEL COOLING CAPACITY VARIATION	RA13					
			24 BJ1NA/B					
ELECTRICAL/FAN GROUP								
20	Stk	Fan Motor	51-104691-04					
21	Stk	Fan Blade	70-101323-37					
22	Stk	Contactactor	42-102664-05					
23		Capacitor	See Compressor Group					
23a		Capacitor Strap	AE-104562-01					
25		Crankcase Heater	See Compressor Group					
26		Grounding Lug	45-19000-01					
		Low Ambient Control	See Accessories Group					
27	Stk	Low Pressure Control (Design Series 'B')	47-103670-08					
27a		Valve Body - Low Pressure Control	61-18542-01					
28	Stk	High Pressure Control (Design Series 'B')	47-102290-01					

No.	Notes	MODEL COOLING CAPACITY VARIATION	RA13 36 AC1NB	RA13 42 AC1NB	RA13 48 AC1NB	RA13 60 AC1NB		
COIL GROUP								
30	Stk	Condenser Coil	AS-104889-03	AS-105322-03	AS-105325-03	AS-105326-03		
31		Service Valve - Suction	61-104914-03	61-104914-04	61-104914-04	61-104914-04		
32		Service Valve - Liquid	61-104914-01	61-104914-01	61-104914-01	61-104914-01		
33a		Valve Core	61-18551-01	61-18551-01	61-18551-01	61-18551-01		
33b		Valve Cap	83-100635-01	83-100635-01	83-100635-01	83-100635-01		
27	Stk	Low Pressure Control	See Electrical Group					
28	Stk	High Pressure Control	See Electrical Group					
	Stk	Filter Drier	83-22755-12	83-22755-12	83-22755-12	83-22755-12		

No.	Notes	MODEL COOLING CAPACITY VARIATION	RA13 36 AD1NB	RA13 42 AD1NB	RA13 48 AD1NB	RA13 60 AD1NB		
COIL GROUP								
30	Stk	Condenser Coil	AS-104889-03	AS-105322-03	AS-105325-03	AS-105326-03		
31		Service Valve - Suction	61-104914-03	61-104914-04	61-104914-04	61-104914-04		
32		Service Valve - Liquid	61-104914-05	61-104914-05	61-104914-05	61-104914-05		
33a		Valve Core	61-18551-01	61-18551-01	61-18551-01	61-18551-01		
33b		Valve Cap	83-100635-01	83-100635-01	83-100635-01	83-100635-01		
27	Stk	Low Pressure Control	See Electrical Group					
28	Stk	High Pressure Control	See Electrical Group					
	Stk	Filter Drier	83-22755-12	83-22755-12	83-22755-12	83-22755-12		

No.	Notes	MODEL COOLING CAPACITY VARIATION	RA13 18 AJ1NA/B	RA13 24 AJ1NA/B	RA13 30 AJ1NA/B	RA13 36 AJ1NA/B	RA13 42 AJ1NA/B	
COIL GROUP								
30	Stk	Condenser Coil	AS-105288-03	AS-105309-03	AS-105310-03	AS-104889-03	AS-105322-03	
31		Service Valve - Suction	61-104914-03	61-104914-03	61-104914-03	61-104914-03	61-104914-04	
32		Service Valve - Liquid	61-104914-01	61-104914-01	61-104914-01	61-104914-01	61-104914-01	
33a		Valve Core	61-18551-01	61-18551-01	61-18551-01	61-18551-01	61-18551-01	
33b		Valve Cap	83-100635-01	83-100635-01	83-100635-01	83-100635-01	83-100635-01	
27	Stk	Low Pressure Control	See Electrical Group					
28	Stk	High Pressure Control	See Electrical Group					
	Stk	Filter Drier	83-22755-12	83-22755-12	83-22755-12	83-22755-12	83-22755-12	

No.	Notes	MODEL COOLING CAPACITY VARIATION	RA13 48 AJ1NA/B	RA13 60 AJ1NA/B		RA13 24 BJ1NA/B		
COIL GROUP								
30	Stk	Condenser Coil	AS-105325-03	AS-105326-03		AS-104750-03		
31		Service Valve - Suction	61-104914-04	61-104914-04		61-104914-03		
32		Service Valve - Liquid	61-104914-01	61-104914-01		61-104914-05		
33a		Valve Core	61-18551-01	61-18551-01		61-18551-01		
33b		Valve Cap	83-100635-01	83-100635-01		83-100635-01		
27	Stk	Low Pressure Control	See Electrical Group					
28	Stk	High Pressure Control	See Electrical Group					
	Stk	Filter Drier	83-22755-12	83-22755-12		83-22755-06		

No.	Notes	MODEL COOLING CAPACITY VARIATION	RA13 36 AC1NB	RA13 42 AC1NB	RA13 60 AC1NB				
COMPRESSOR GROUP									
		Compressor ID:	9049	9050	9052				
40	Stk	Compressor	55-102045-138S	55-102045-19S	55-102045-27S				
		Compressor Grommet (4)	56-18518-04	56-18518-06	56-18518-06				
		Compressor Bolt (4)	63-20072-07	63-20072-07	63-20072-07				
23	Stk	Capacitor - Compressor/Fan	N/A	N/A	N/A				
23	Stk	Capacitor - Fan	43-101666-58	43-101666-58	43-101666-55				
	Stk	Compressor Wiring Harness (Molded Plug)	45-100834-80	45-100834-80	45-100834-80				
25		Crankcase Heater	See Accessories			44-103663-13			
31a		Strainer - Suction	83-25316-03	83-25316-04	N/A				
32a		Strainer - Liquid	83-25316-02	83-25316-02	N/A				
		Filter Drier	See Coil Group						
		Compressor ID:	9088						
40	Stk	Compressor	55-102045-05S						
		Compressor Grommet (4)	56-18518-04						
		Compressor Bolt (4)	63-20072-07						
23	Stk	Capacitor - Compressor/Fan	N/A						
23	Stk	Capacitor - Fan	43-101666-58						
	Stk	Compressor Wiring Harness (Molded Plug)	45-100834-80						
25		Crankcase Heater	See Accessories						
		Filter Drier	See Coil Group						

No.	Notes	MODEL COOLING CAPACITY VARIATION	RA13 48 AC1NB	RA13 48 AJ1NA/B				
COMPRESSOR GROUP								
		Compressor ID:	9051	9047				
40	Stk	Compressor	55-102045-11S	55-102045-09S				
		Compressor Grommet (4)	56-18518-06	56-18518-06				
		Compressor Bolt (4)	63-20072-07	63-20072-07				
23	Stk	Capacitor - Compressor/Fan	N/A	See Electrical/Fan				
23		Capacitor - Fan	See Electrical/Fan	N/A				
	Stk	Compressor Wiring Harness (Molded Plug)	45-100834-80	45-100834-80				
25		Crankcase Heater	See Accessories					
		Filter Drier	See Coil Group					

No.	Notes	MODEL COOLING CAPACITY VARIATION	RA13 18 AJ1NA/B	RA13 24 AJ1NA/B	RA13 30 AJ1NA/B	RA13 36 AJ1NA/B	RA13 42 AJ1NA/B	RA13 60 AJ1NA/B	
COMPRESSOR GROUP									
		Compressor ID:	9085	9043	9044	9045	9046	9048	
40	Stk	Compressor	55-102045-122S	55-102045-97S	55-102045-31S	55-102045-103S	55-102045-15S	55-102045-26S	
		Compressor Grommet (4)	56-18518-04	56-18518-04	56-18518-04	56-18518-04	56-18518-06	56-18518-06	
		Compressor Bolt (4)	63-20072-07	63-20072-07	63-20072-07	63-20072-07	63-20072-07	63-20072-07	
23	Stk	Capacitor - Compressor/Fan	43-101665-40	43-101665-44	43-101665-09	43-101665-41	43-101665-41	43-101665-47	
23	Stk	Capacitor - Fan	N/A	N/A	N/A	N/A	N/A	N/A	
	Stk	Compressor Wiring Harness (Molded Plug)	45-100834-80	45-100834-80	45-100834-80	45-100834-80	45-100834-80	45-100834-80	
25		Crankcase Heater	See Accessories						44-103663-13
31a		Strainer - Suction	83-25316-03	83-25316-03	83-25316-03	83-25316-03	N/A	N/A	
32a		Strainer - Liquid	83-25316-02	83-25316-02	83-25316-02	83-25316-02	N/A	N/A	
		Filter Drier	See Coil Group						
		Compressor ID:	9042			9087			
40	Stk	Compressor	55-102045-96S			55-102045-03S			
		Compressor Grommet (4)	56-18518-04			56-18518-04			
		Compressor Bolt (4)	63-20072-07			63-20072-07			
23	Stk	Capacitor - Compressor/Fan	43-101665-40			43-101665-41			
23	Stk	Capacitor - Fan	N/A			N/A			
	Stk	Compressor Wiring Harness (Molded Plug)	45-100834-80			45-100834-80			
25		Crankcase Heater	See Accessories						
		Filter Drier	See Coil Group						

No.	Notes	MODEL COOLING CAPACITY VARIATION	RA13 36 AD1NB	RA13 42 AD1NB	RA13 48 AD1NB	RA13 60 AD1NB		
COMPRESSOR GROUP								
		Compressor ID:	9053	9054	9055	9056		
40	Stk	Compressor	55-102045-04S	55-102045-18S	55-102045-10S	55-102045-28S		
		Compressor Grommet (4)	56-18518-04	56-18518-06	56-18518-06	56-18518-06		
		Compressor Bolt (4)	63-20072-07	63-20072-07	63-20072-07	63-20072-07		
23		Capacitor - Fan	See Electrical/Fan Group					
	Stk	Compressor Wiring Harness (Molded Plug)	45-100834-80	45-100834-80	45-100834-80	45-100834-80		
25		Crankcase Heater	See Accessories					
		Filter Drier	See Coil Group					

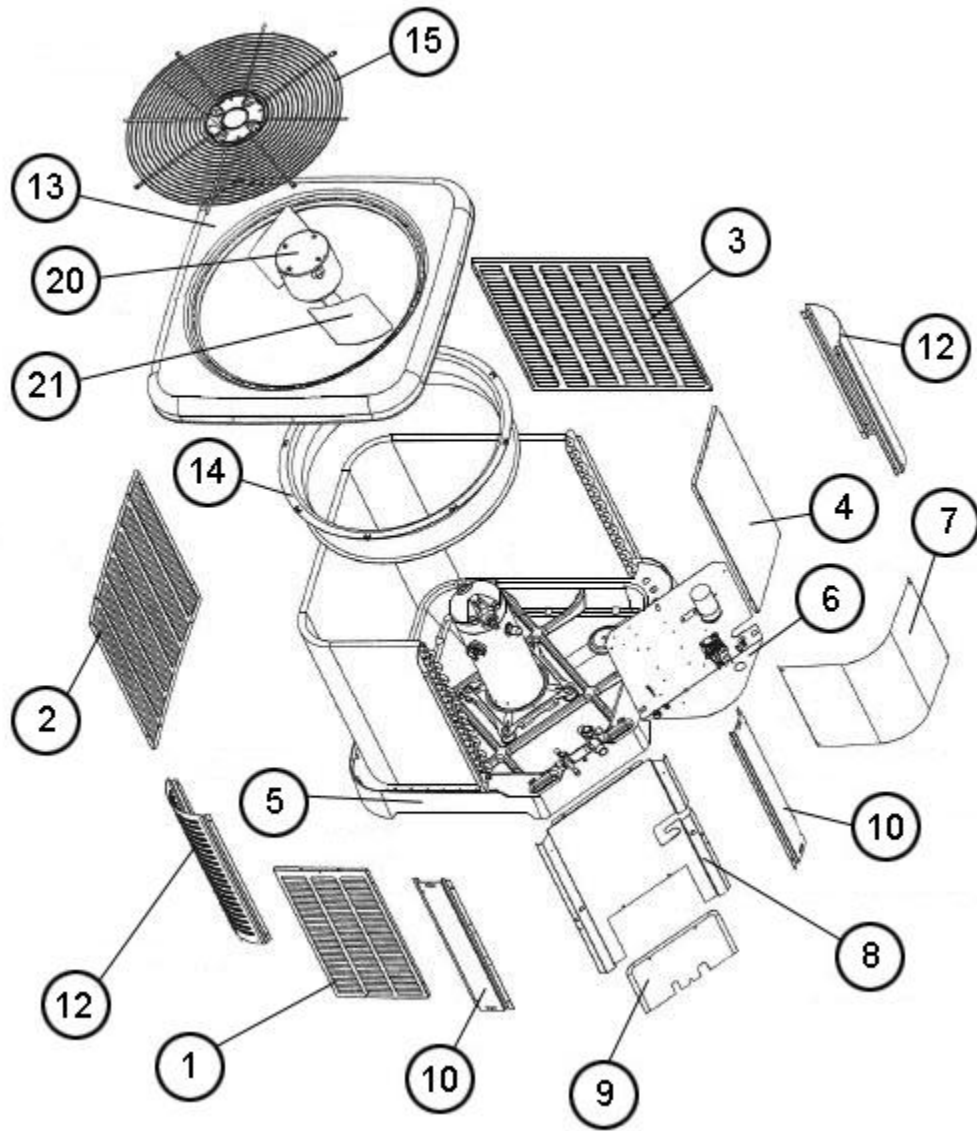
No.	Notes	MODEL COOLING CAPACITY VARIATION	RA13 24 BJ1NA/B					
COMPRESSOR GROUP								
		Compressor ID:	9529					
40	Stk	Compressor	55-102045-97S					
		Compressor Grommet (4)	56-18518-04					
		Compressor Bolt (4)	63-20072-07					
23		Capacitor - Fan	43-101665-06					
	Stk	Compressor Wiring Harness (Molded Plug)	45-100834-80					
25		Crankcase Heater	See Accessories					
		Filter Drier	See Coil Group					

No.	Notes	MODEL COOLING CAPACITY VARIATION	RA13 36 AC1NB	RA13 42 AC1NB	RA13 48 AC1NB	RA13 60 AC1NB	
ACCESSORIES							
		Low Ambient Control	RXAD-A08	RXAD-A08	RXAD-A08	RXAD-A08	
		Compressor Crankcase Heater	44-17402-44	44-17402-45	44-17402-45	See Compressor	
		Compressor Sound Cover	68-23427-26	68-23427-25	68-23427-25	68-23427-25	
		Compressor Hard Start Kit	SK-A1	SK-A1	SK-A1	SK-A1	
		Low Pressure Control	RXAC-A07	RXAC-A07	RXAC-A07	RXAC-A07	
		High Pressure Control	RXAB-A07	RXAB-A07	RXAB-A07	RXAB-A07	

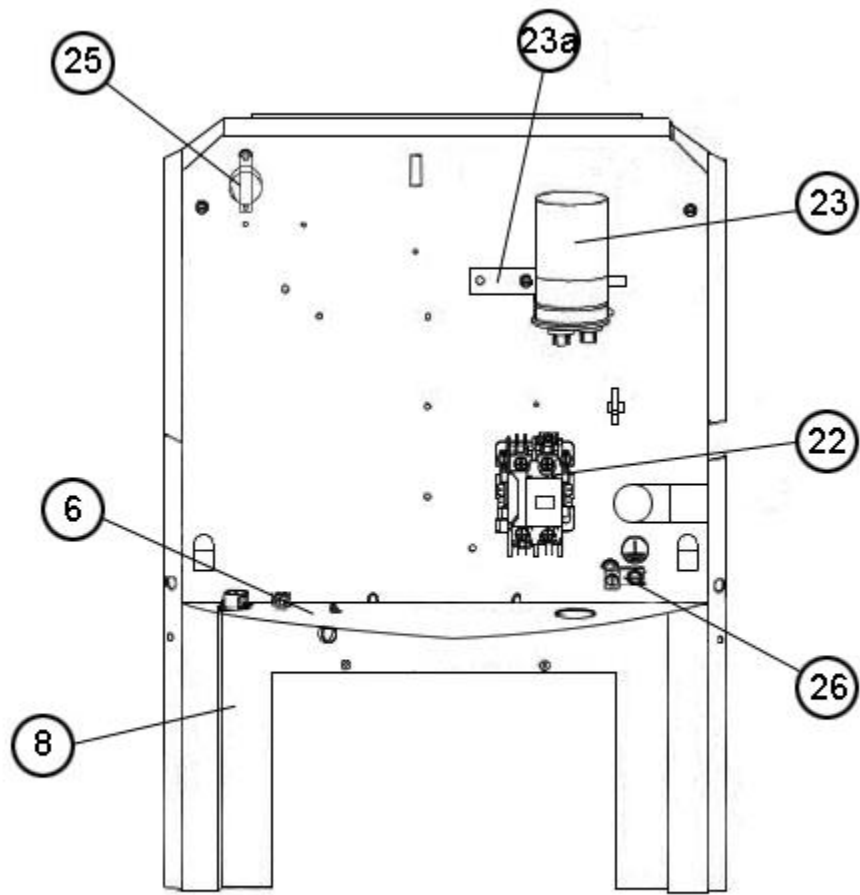
No.	Notes	MODEL COOLING CAPACITY VARIATION	RA13 36 AD1NB	RA13 42 AD1NB	RA13 48 AD1NB	RA13 60 AD1NB	
ACCESSORIES							
		Low Ambient Control	RXAD-A08	RXAD-A08	RXAD-A08	RXAD-A08	
		Compressor Crankcase Heater	442040	44-17402-46	44-17402-46	44-17402-45	
		Compressor Sound Cover	68-23427-25	68-23427-25	68-23427-25	68-23427-25	
		Compressor Hard Start Kit	SK-A1	SK-A1	SK-A1	SK-A1	
		Low Pressure Control	RXAC-A07	RXAC-A07	RXAC-A07	RXAC-A07	
		High Pressure Control	RXAB-A07	RXAB-A07	RXAB-A07	RXAB-A07	

No.	Notes	MODEL COOLING CAPACITY VARIATION	RA13 18 AJ1NA/B	RA13 24 AJ1NA/B	RA13 30 AJ1NA/B	RA13 36 AJ1NA/B	RA13 42 AJ1NA/B
ACCESSORIES							
		Low Ambient Control	RXAD-A08	RXAD-A08	RXAD-A08	RXAD-A08	RXAD-A08
		Compressor Crankcase Heater	44-17402-44	44-17402-44	44-17402-44	44-17402-44	44-17402-45
		Compressor Sound Cover	68-23427-26	68-23427-26	68-23427-26	68-23427-26	68-23427-25
		Compressor Hard Start Kit	SK-A1	SK-A1	SK-A1	SK-A1	SK-A1
		Low Pressure Control	RXAC-A07	RXAC-A07	RXAC-A07	RXAC-A07	RXAC-A07
		High Pressure Control	RXAB-A07	RXAB-A07	RXAB-A07	RXAB-A07	RXAB-A07

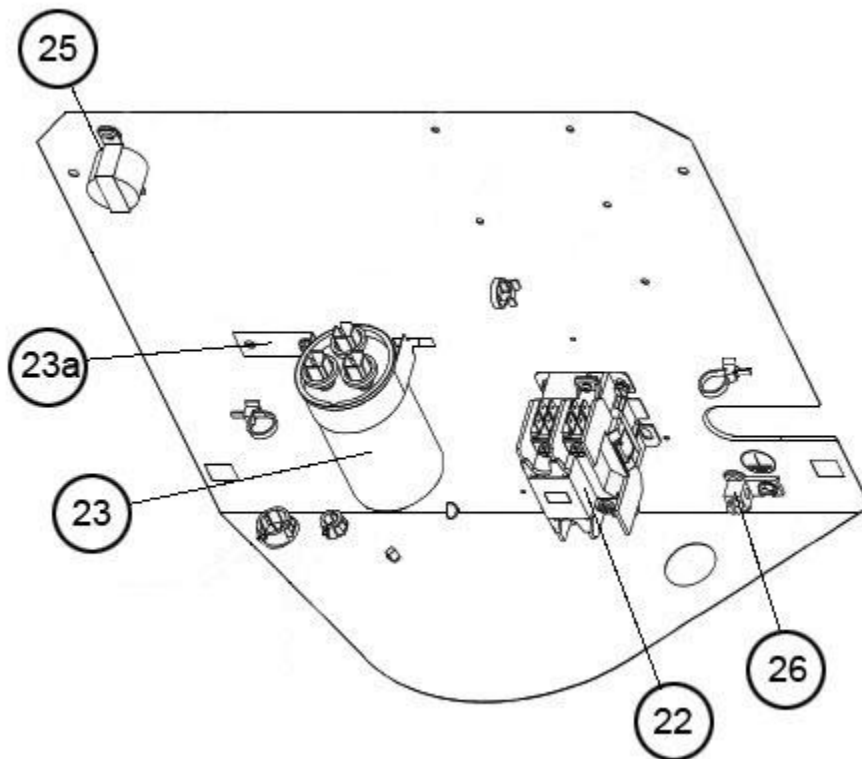
No.	Notes	MODEL COOLING CAPACITY VARIATION	RA13 48 AJ1NA/B	RA13 60 AJ1NA/B		RA13 24 BJ1NA/B	
ACCESSORIES							
		Low Ambient Control	RXAD-A08	RXAD-A08		RXAD-A08	
		Compressor Crankcase Heater	44-17402-45	See Compressor		44-17402-44	
		Compressor Sound Cover	68-23427-25	68-23427-25		68-23427-26	
		Compressor Hard Start Kit	SK-A1	SK-A1		SK-A1	
		Low Pressure Control	RXAC-A07	RXAC-A07		RXAC-A07	
		High Pressure Control	RXAB-A07	RXAB-A07		RXAB-A07	



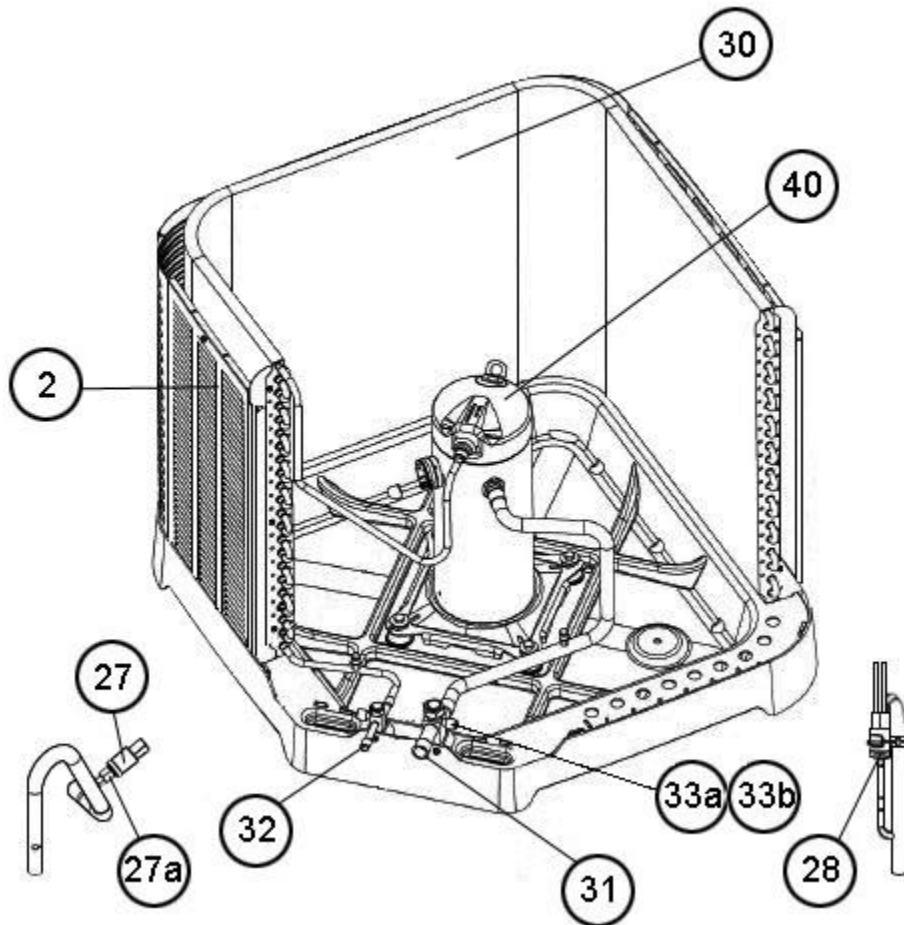
Exploded View



Control Box (1)



Control Box (2)



Valve Mounting, Compressor

NOTES

Stk It is recommended that stock be maintained for this part.

N/A Not Applicable

- 1 Production has utilized both Three-phase and Single-phase fan motors on these units. It is necessary to verify motor type before ordering.

DISCLAIMER: This document is intended to provide general replacement parts information to aid qualified service personnel in the repair of these models. The complete Model and Serial Number of the unit under repair should be specified when selecting and ordering replacement parts. Specifications and illustrations are subject to change without notice. Document 92-42800-RA13 supersedes all previous parts lists for these models. See <http://www.rheempartslists.net/92-42800-RA13> for the latest revision of this document. The manufacturer assumes no obligation for errors or omissions. Service personnel must verify the proper and safe operation of equipment after the replacement of any original components.