



# RBHP

Parts List  
01-February-2022



*This parts list is current as of the above revision date.  
See <http://www.rheempartslists.net/92-42800-RBHP.pdf> for the current revision.*

**Air Handlers**

# Table of Contents

Model Explanation .....	Page 3
<b>Parts Numbers</b>	
Panels - Miscellaneous (Granite-Steel Gray) (1) .....	Page 4
Panels - Miscellaneous (Granite-Steel Gray) (2) .....	Page 5
Panels - Miscellaneous (Neutra Green) (1) .....	Page 6
Panels - Miscellaneous (Neutra Green) (2) .....	Page 7
Electrical Group (1) .....	Page 8
Electrical Group (2) .....	Page 9
Blower Group (1) .....	Page 10
Blower Group (2) .....	Page 11
Electric Heat Group .....	Page 12
Coil Parts .....	Page 13
Accessories .....	Page 13
<b>Drawings/Photographs</b>	
Exploded View .....	Page 14
Door Assembly .....	Page 14
Electrical Assembly .....	Page 15
Notes/Disclaimer .....	Page 16

**MODEL NUMBER EXPLANATION**

<b>R</b>	<b>B</b>	<b>H</b>	<b>P</b>	<b>-</b>	<b>17</b>	<b>J</b>	<b>0</b>	<b>6</b>	<b>S</b>	<b>H</b>	<b>1</b>	<b>_</b>
	1			2	3	4		5	6	7	8	9

- |  |  |
|--|--|
| <p><b>1 TRADE BRAND</b></p> <p><b>2 DASH</b></p> <p><b>3 CABINET SIZE</b><br/>         17 = 17.5 in.<br/>         21 = 21.0 in.<br/>         24 = 24.5 in.<br/>         25 = 24.5 in.</p> <p><b>4 VOLTAGE</b><br/>         J = 208-240/1/60<br/>         A = 115V/1/60</p> | <p><b>5 ELECTRIC HEAT (KW) DESIGNATION</b><br/>         00 = No Heat            14 = 14.0 KW<br/>         06 = 4.9 KW            18 = 17.5 KW<br/>         07 = 7.0 KW            21 = 21.0 KW<br/>         11 = 10.0 KW</p> <p><b>6 CONTROL DESIGNATION</b><br/>         N = No Circuit Protection<br/>         S = Circuit Breaker (Single Circuit)</p> <p><b>7 AIRFLOW</b><br/>         H = Horizontal</p> <p><b>8 COIL CODE</b></p> <p><b>9 MINOR DESIGN SERIES</b><br/>         BLANK = First<br/>         B = Second</p> |
|--|--|

**SERIAL NUMBER EXPLANATION**

<b>M</b>	<b>0</b>	<b>7</b>	<b>0</b>	<b>1</b>	<b>9</b>	<b>9</b>	<b>9</b>	<b>9</b>	<b>9</b>
1	2	3	4						

- |   |                            |
|---|----------------------------|
| 1 | <b>PRODUCTION LOCATION</b> |
| 2 | <b>WEEK OF PRODUCTION</b>  |
| 3 | <b>YEAR OF PRODUCTION</b>  |
| 4 | <b>PRODUCTION NUMBER</b>   |

No.	Notes	MODEL	RBHP	RBHP	RBHP	RBHP	RBHP
		CABINET WIDTH	17	17	17	17	21
		VOLTAGE	A	J	J	J	A
		HEAT DESIGNATION	00	06	07	11	00
		CONTROL DESIGNATION	N	S	S	S	N
<b>SHEET METAL PARTS, MISCELLANEOUS (Granite/Steel Gray, After Date Code 0112)</b>							
1	Jacket - Blower		AE-103178-32	AE-103178-32	AE-103178-32	AE-103178-32	AE-103178-33
	Jacket - Coil		AE-103177-32	AE-103177-32	AE-103177-32	AE-103177-32	AE-103177-33
2	Blower Shelf - Cover/Top Deck		AS-58389-05	AS-58389-05	AS-58389-05	AS-58389-05	AS-58389-06
3	Bottom Channel		AE-58381-02	AE-58381-02	AE-58381-02	AE-58381-02	AE-58381-03
4	Blower Door Panel		AE-59440-45	AE-59440-46	AE-59440-46	AE-59440-46	AE-59441-45
4a	Circuit Breaker Cover		N/A	68-101808-01	68-101808-01	68-101808-01	N/A
4b	Circuit Breaker Cover Gasket		N/A	68-24337-02	68-24337-02	68-24337-02	N/A
6	Filter - Plastic		68-101807-02	68-101807-02	68-101807-02	68-101807-02	68-101807-03
	Filter Door Panel		AE-59440-42	AE-59440-42	AE-59440-42	AE-59440-42	AE-59441-42
	Coil Door Panel		AE-59440-41	AE-59440-41	AE-59440-41	AE-59440-41	AE-59441-41
	Block Off Plate - Upflow Refrigerant		N/A	N/A	N/A	AE-58490-40	N/A
12	Center Panel (First Series)		AE-58385-02	AE-58385-02	AE-58385-02	AE-58385-04	AE-58385-07
12	Center Panel (Second 'B' Series)		N/A	AE-58385-04	AE-58385-04	N/A	N/A
	Foam Gasket		68-100229-17	68-100229-17	68-100229-17	68-100229-17	68-100229-17
	Block Off Plate (Condensate)		AE-58490-35	AE-58490-35	AE-58490-35	AE-58490-35	AE-58490-35
	Block-Off Plate (Refrigerant)		AE-58490-37	AE-58490-37	AE-58490-37	AE-58490-37	AE-58490-37

No.	Notes	MODEL	RBHP	RBHP	RBHP	RBHP	RBHP
		CABINET WIDTH	21	21	21	21	24
		VOLTAGE	J	J	J	J	A
		HEAT DESIGNATION	06	07	11	14	00
		CONTROL DESIGNATION	S	S	S	S	N
<b>SHEET METAL PARTS, MISCELLANEOUS (Granite/Steel Gray, After Date Code 0112)</b>							
1	Jacket - Blower		AE-103178-33	AE-103178-33	AE-103178-33	AE-103178-33	AE-103178-34
	Jacket - Coil		AE-103177-33	AE-103177-33	AE-103177-33	AE-103177-33	AE-103177-34
2	Blower Shelf - Cover/Top Deck		AS-58389-06	AS-58389-06	AS-58389-06	AS-58389-06	AS-58389-07
3	Bottom Channel		AE-58381-03	AE-58381-03	AE-58381-03	AE-58381-03	AE-58381-04
4	Blower Door Panel		AE-59441-50	AE-59441-50	AE-59441-50	AE-59441-51	AE-59442-45
4a	Circuit Breaker Cover		68-101808-01	68-101808-01	68-101808-01	68-101808-01	N/A
4b	Circuit Breaker Cover Gasket		68-24337-02	68-24337-02	68-24337-02	68-24337-02	N/A
6	Filter - Plastic		68-101807-03	68-101807-03	68-101807-03	68-101807-03	68-101807-04
	Filter Door Panel		AE-59441-42	AE-59441-42	AE-59441-42	AE-59441-42	AE-59442-42
	Coil Door Panel		AE-59441-41	AE-59441-41	AE-59441-41	AE-59441-41	AE-59442-41
	Block Off Plate - Upflow Refrigerant		N/A	N/A	N/A	AE-58490-40	N/A
12	Center Panel		AE-58385-08	AE-58385-08	AE-58385-08	AE-58385-09	AE-58385-14
	Foam Gasket		68-100229-17	68-100229-17	68-100229-17	68-100229-17	68-100229-17
	Block Off Plate (Condensate)		AE-58490-35	AE-58490-35	AE-58490-35	AE-58490-35	AE-58490-35
	Block-Off Plate (Refrigerant)		AE-58490-37	AE-58490-37	AE-58490-37	AE-58490-37	AE-58490-37

No.	Notes	MODEL	RBHP	RBHP	RBHP	RBHP	RBHP
		CABINET WIDTH	24	24	24	24	24
		VOLTAGE	J	J	J	J	J
		HEAT DESIGNATION	06	07	11	14	18
		CONTROL DESIGNATION	S	S	S	S	S
SHEET METAL PARTS, MISCELLANEOUS (Granite/Steel Gray, After Date Code 0112)							
1	Jacket - Blower		AE-103178-34	AE-103178-34	AE-103178-34	N/A	AE-103178-34
	Jacket - Coil		AE-103177-34	AE-103177-34	AE-103177-34	N/A	AE-103177-34
2	Blower Shelf - Cover/Top Deck		AS-58389-07	AS-58389-07	AS-58389-07	N/A	AS-58389-07
3	Bottom Channel		AE-58381-04	AE-58381-04	AE-58381-04	N/A	AE-58381-04
4	Blower Door Panel		AE-59442-06	AE-59442-46	AE-59442-46	N/A	AE-59442-47
4a	Circuit Breaker Cover		68-101808-01	68-101808-01	68-101808-01	N/A	68-101808-01
4b	Circuit Breaker Cover Gasket		68-24337-02	68-24337-02	68-24337-02	N/A	N/A
6	Filter - Plastic		68-101807-04	68-101807-04	68-101807-04	N/A	68-101807-04
	Filter Door Panel		AE-59442-42	AE-59442-42	AE-59442-42	N/A	AE-59442-42
	Coil Door Panel		AE-59442-41	AE-59442-41	AE-59442-41	N/A	AE-59442-41
	Block Off Plate - Upflow Refrigerant		N/A	N/A	N/A	N/A	N/A
12	Center Panel (First Series)		AE-58385-16	AE-58385-16	AE-58385-16	N/A	AE-58385-18
12	Center Panel (Second 'B' Series)		AE-58385-30	AE-58385-32	AE-58385-32	N/A	N/A
	Foam Gasket		68-100229-17	68-100229-17	68-100229-17	N/A	68-100229-17
	Block Off Plate (Condensate)		AE-58490-35	AE-58490-35	AE-58490-35	N/A	AE-58490-35
	Block-Off Plate (Refrigerant)		AE-58490-37	AE-58490-37	AE-58490-37	N/A	AE-58490-37

No.	Notes	MODEL	RBHP	RBHP	RBHP	RBHP	RBHP
		CABINET WIDTH	25	25	25	25	25
		VOLTAGE	A	J	J	J	J
		HEAT DESIGNATION	00	11	14	18	21
		CONTROL DESIGNATION	N	S	S	S	S
SHEET METAL PARTS, MISCELLANEOUS (Granite/Steel Gray, After Date Code 0112)							
1	Jacket - Blower		AE-103178-34	AE-103178-34	N/A	AE-103178-34	AE-103178-34
	Jacket - Coil		AE-103177-34	AE-103177-34	N/A	AE-103177-34	AE-103177-34
2	Blower Shelf - Cover/Top Deck		AS-58389-04	AS-58389-04	N/A	AS-58389-04	AS-58389-04
3	Bottom Channel		AE-58381-04	AE-58381-04	N/A	AE-58381-04	AE-58381-04
4	Blower Door Panel		AE-59442-45	AE-59442-46	N/A	AE-59442-47	AE-59442-47
4a	Circuit Breaker Cover		N/A	68-101808-01	N/A	68-101808-01	68-101808-01
4b	Circuit Breaker Cover Gasket		N/A	68-24337-02	N/A	68-24337-02	68-24337-02
6	Filter - Plastic		68-101807-04	68-101807-04	N/A	68-101807-04	68-101807-04
	Filter Door Panel		AE-59442-42	AE-59442-42	N/A	AE-59442-42	AE-59442-42
	Coil Door Panel		AE-59442-41	AE-59442-41	N/A	AE-59442-41	AE-59442-41
	Block Off Plate - Upflow Refrigerant		N/A	N/A	N/A	N/A	AE-58490-40
12	Center Panel (First Series)		AE-58385-24	AE-58385-25	N/A	AE-58385-26	AE-58385-26
12	Center Panel (Second 'B' Series)		N/A	AE-58385-31	N/A	N/A	N/A
	Foam Gasket		68-100229-17	68-100229-17	N/A	68-100229-17	68-100229-17
	Block Off Plate (Condensate)		AE-58490-35	AE-58490-35	N/A	AE-58490-35	AE-58490-35
	Block-Off Plate (Refrigerant)		AE-58490-37	AE-58490-37	N/A	AE-58490-37	AE-58490-37

No.	Notes	MODEL	RBHP	RBHP	RBHP	RBHP	RBHP
		CABINET WIDTH	17	17	17	17	21
		VOLTAGE	A	J	J	J	A
		HEAT DESIGNATION	00	06	07	11	00
		CONTROL DESIGNATION	N	S	S	S	N
<b>SHEET METAL PARTS, MISCELLANEOUS (Neutra Green, Before Date Code 0112)</b>							
1	Jacket - Blower	AS-58397-02	AS-58397-02	AS-58397-02	AS-58397-02	AS-58397-02	AS-58397-03
	Jacket - Coil	N/A	N/A	N/A	N/A	N/A	N/A
2	Blower Shelf - Cover/Top Deck	AS-58389-05	AS-58389-05	AS-58389-05	AS-58389-05	AS-58389-05	AS-58389-06
3	Bottom Channel	AE-58381-02	AE-58381-02	AE-58381-02	AE-58381-02	AE-58381-02	AE-58381-03
4	Blower Door Panel	AE-59440-05	AE-59440-06	AE-59440-06	AE-59440-06	AE-59440-06	AE-59441-05
4a	Circuit Breaker Cover	N/A	68-101808-01	68-101808-01	68-101808-01	68-101808-01	N/A
4b	Circuit Breaker Cover Gasket	N/A	68-24337-02	68-24337-02	68-24337-02	68-24337-02	N/A
6	Filter - Plastic	68-101807-02	68-101807-02	68-101807-02	68-101807-02	68-101807-02	68-101807-03
	Filter Door Panel	AE-59440-02	AE-59440-02	AE-59440-02	AE-59440-02	AE-59440-02	AE-59441-02
	Coil Door Panel	AE-59440-01	AE-59440-01	AE-59440-01	AE-59440-01	AE-59440-01	AE-59441-01
	Block Off Plate - Upflow Refrigerant	N/A	N/A	N/A	AE-58490-10	AE-58490-10	N/A
12	Center Panel	AE-58385-02	AE-58385-02	AE-58385-02	AE-58385-04	AE-58385-04	AE-58385-07
	Foam Gasket	68-100229-17	68-100229-17	68-100229-17	68-100229-17	68-100229-17	68-100229-17
	Block Off Plate (Condensate)	AE-58490-35	AE-58490-35	AE-58490-35	AE-58490-35	AE-58490-35	AE-58490-35
	Block-Off Plate (Refrigerant)	AE-58490-37	AE-58490-37	AE-58490-37	AE-58490-37	AE-58490-37	AE-58490-37

No.	Notes	MODEL	RBHP	RBHP	RBHP	RBHP	RBHP
		CABINET WIDTH	21	21	21	21	24
		VOLTAGE	J	J	J	J	A
		HEAT DESIGNATION	06	07	11	14	00
		CONTROL DESIGNATION	S	S	S	S	N
<b>SHEET METAL PARTS, MISCELLANEOUS (Neutra Green, Before Date Code 0112)</b>							
1	Jacket - Blower	AS-58397-03	AS-58397-03	AS-58397-03	AS-58397-03	AS-58397-03	AS-58397-04
	Jacket - Coil	N/A	N/A	N/A	N/A	N/A	N/A
2	Blower Shelf - Cover/Top Deck	AS-58389-06	AS-58389-06	AS-58389-06	AS-58389-06	AS-58389-06	AS-58389-07
3	Bottom Channel	AE-58381-03	AE-58381-03	AE-58381-03	AE-58381-03	AE-58381-03	AE-58381-04
4	Blower Door Panel	AE-59441-10	AE-59441-10	AE-59441-10	AE-59441-11	AE-59441-11	AE-59442-05
4a	Circuit Breaker Cover	68-101808-01	68-101808-01	68-101808-01	68-101808-01	68-101808-01	N/A
4b	Circuit Breaker Cover Gasket	68-24337-02	68-24337-02	68-24337-02	68-24337-02	68-24337-02	N/A
6	Filter - Plastic	68-101807-03	68-101807-03	68-101807-03	68-101807-03	68-101807-03	68-101807-04
	Filter Door Panel	AE-59441-02	AE-59441-02	AE-59441-02	AE-59441-02	AE-59441-02	AE-59442-02
	Coil Door Panel	AE-59441-01	AE-59441-01	AE-59441-01	AE-59441-01	AE-59441-01	AE-59442-01
	Block Off Plate - Upflow Refrigerant	N/A	N/A	N/A	AE-58490-10	AE-58490-10	N/A
12	Center Panel	AE-58385-08	AE-58385-08	AE-58385-08	AE-58385-09	AE-58385-09	AE-58385-14
	Foam Gasket	68-100229-17	68-100229-17	68-100229-17	68-100229-17	68-100229-17	68-100229-17
	Block Off Plate (Condensate)	AE-58490-35	AE-58490-35	AE-58490-35	AE-58490-35	AE-58490-35	AE-58490-35
	Block-Off Plate (Refrigerant)	AE-58490-37	AE-58490-37	AE-58490-37	AE-58490-37	AE-58490-37	AE-58490-37

No.	Notes	MODEL	RBHP	RBHP	RBHP	RBHP	RBHP
		CABINET WIDTH	24	24	24	24	24
		VOLTAGE	J	J	J	J	J
		HEAT DESIGNATION	06	07	11	14	18
		CONTROL DESIGNATION	S	S	S	S	S
<b>SHEET METAL PARTS, MISCELLANEOUS (Neutra Green, Before Date Code 0112)</b>							
1	Jacket - Blower	AS-58397-04	AS-58397-04	AS-58397-04	AS-58397-04	AS-58397-04	AS-58397-04
	Jacket - Coil	N/A	N/A	N/A	N/A	N/A	N/A
2	Blower Shelf - Cover/Top Deck	AS-58389-07	AS-58389-07	AS-58389-07	AS-58389-07	AS-58389-07	AS-58389-07
3	Bottom Channel	AE-58381-04	AE-58381-04	AE-58381-04	AE-58381-04	AE-58381-04	AE-58381-04
4	Blower Door Panel	AE-59442-06	AE-59442-06	AE-59442-06	AE-59442-09	AE-59442-09	AE-59442-09
4a	Circuit Breaker Cover	68-101808-01	68-101808-01	68-101808-01	68-101808-01	68-101808-01	68-101808-01
4b	Circuit Breaker Cover Gasket	68-24337-02	68-24337-02	68-24337-02	68-24337-02	68-24337-02	68-24337-02
6	Filter - Plastic	68-101807-04	68-101807-04	68-101807-04	68-101807-04	68-101807-04	68-101807-04
	Filter Door Panel	AE-59442-02	AE-59442-02	AE-59442-02	AE-59442-02	AE-59442-02	AE-59442-02
	Coil Door Panel	AE-59442-01	AE-59442-01	AE-59442-01	AE-59442-01	AE-59442-01	AE-59442-01
	Block Off Plate - Upflow Refrigerant	N/A	N/A	N/A	N/A	N/A	AE-58490-10
12	Center Panel	AE-58385-16	AE-58385-16	AE-58385-16	AE-58385-18	AE-58385-18	AE-58385-18
	Foam Gasket	68-100229-17	68-100229-17	68-100229-17	68-100229-17	68-100229-17	68-100229-17
	Block Off Plate (Condensate)	AE-58490-35	AE-58490-35	AE-58490-35	AE-58490-35	AE-58490-35	AE-58490-35
	Block-Off Plate (Refrigerant)	AE-58490-37	AE-58490-37	AE-58490-37	AE-58490-37	AE-58490-37	AE-58490-37

No.	Notes	MODEL	RBHP	RBHP	RBHP	RBHP	RBHP
		CABINET WIDTH	25	25	25	25	25
		VOLTAGE	A	J	J	J	J
		HEAT DESIGNATION	00	11	14	18	21
		CONTROL DESIGNATION	N	S	S	S	S
<b>SHEET METAL PARTS, MISCELLANEOUS (Neutra Green, Before Date Code 0112)</b>							
1	Jacket - Blower	AS-58397-04	AS-58397-04	AS-58397-04	AS-58397-04	AS-58397-04	AS-58397-04
	Jacket - Coil	N/A	N/A	N/A	N/A	N/A	N/A
2	Blower Shelf - Cover/Top Deck	AS-58389-04	AS-58389-04	AS-58389-04	AS-58389-04	AS-58389-04	AS-58389-04
3	Bottom Channel	AE-58381-04	AE-58381-04	AE-58381-04	AE-58381-04	AE-58381-04	AE-58381-04
4	Blower Door Panel	AE-59442-05	AE-59442-06	AE-59442-09	AE-59442-07	AE-59442-07	AE-59442-07
4a	Circuit Breaker Cover	N/A	68-101808-01	68-101808-01	68-101808-01	68-101808-01	68-101808-01
4b	Circuit Breaker Cover Gasket	N/A	68-24337-02	68-24337-02	68-24337-02	68-24337-02	68-24337-02
6	Filter - Plastic	68-101807-04	68-101807-04	68-101807-04	68-101807-04	68-101807-04	68-101807-04
	Filter Door Panel	AE-59442-02	AE-59442-02	AE-59442-02	AE-59442-02	AE-59442-02	AE-59442-02
	Coil Door Panel	AE-59442-01	AE-59442-01	AE-59442-01	AE-59442-01	AE-59442-01	AE-59442-01
	Block Off Plate - Upflow Refrigerant	N/A	N/A	N/A	N/A	N/A	AE-58490-10
12	Center Panel	AE-58385-24	AE-58385-25	AE-58385-26	AE-58385-26	AE-58385-26	AE-58385-26
	Foam Gasket	68-100229-17	68-100229-17	68-100229-17	68-100229-17	68-100229-17	68-100229-17
	Block Off Plate (Condensate)	AE-58490-35	AE-58490-35	AE-58490-35	AE-58490-35	AE-58490-35	AE-58490-35
	Block-Off Plate (Refrigerant)	AE-58490-37	AE-58490-37	AE-58490-37	AE-58490-37	AE-58490-37	AE-58490-37

No.	Notes	MODEL CABINET WIDTH VOLTAGE HEAT DESIGNATION	RBHP	RBHP	RBHP	RBHP	RBHP
			17 A 00	17 J 06	17 J 07	17 J 11	21 A 00
<b>ELECTRICAL GROUP</b>							
13		Sheath Heater w/Bracket	See Electric Heat Group				
14		Sequencing / Heat Relay	See Electric Heat Group				
15	Stk	Transformer	46-23115-01	46-23115-02	46-23115-02	46-23115-02	46-23115-01
16		Limit Switch	See Electric Heat Group				
17	1	Circuit Breaker (Before W1920)	N/A	42-23201-01	42-23201-01	42-23201-01	N/A
	1	Finger Stop Voltage (2) (Before W2520)	N/A	45-23203-01	45-23203-01	45-23203-01	N/A
17		Circuit Breaker (On or After W1920)	N/A	42-107430-03	42-107430-03	42-107430-03	N/A
		Finger Safe Cover (2) (On or After W2520)	N/A	45-107429-04	45-107429-04	45-107429-04	N/A
18		Watt Restrictors	N/A	N/A	47-23117-01	47-23117-01	N/A
19	Stk	Defrost Heater Control	N/A	N/A	47-23118-01	47-23118-01	N/A
		Terminal Block	45-23222-02	N/A	N/A	N/A	45-23222-02

No.	Notes	MODEL CABINET WIDTH VOLTAGE HEAT DESIGNATION	RBHP	RBHP	RBHP	RBHP	
			21 J 06	21 J 07	21 J 11	24 A 00	
<b>ELECTRICAL GROUP</b>							
13		Sheath Heater w/Bracket	See Electric Heat Group				
14		Sequencing / Heat Relay	See Electric Heat Group				
15	Stk	Transformer	46-23115-02	46-23115-02	46-23115-02	46-23115-01	
		Power Factor Choke	N/A	N/A	N/A	46-24256-04	
16		Limit Switch	See Electric Heat Group				
17	1	Circuit Breaker (Before W1920)	42-23201-01	42-23201-01	42-23201-01	N/A	
	1	Finger Stop Voltage (Before W2520)	45-23203-01 (2)	45-23203-01 (2)	45-23203-01 (2)	N/A	
17		Circuit Breaker (On or After W1920)	42-107430-03	42-107430-03	42-107430-03	N/A	
		Finger Safe cover (After W2520)	45-107429-04 (2)	45-107429-04 (2)	45-107429-04 (2)	N/A	
18		Watt Restrictors	N/A	N/A	N/A	N/A	
19	Stk	Defrost Heater Control	N/A	N/A	N/A	N/A	
		Terminal Block	N/A	N/A	N/A	45-23222-02	

No.	Notes	MODEL CABINET WIDTH VOLTAGE HEAT DESIGNATION	RBHP	RBHP	RBHP	RBHP	
			21 J 14	24 J 18	25 J 18	25 J 21	
<b>ELECTRICAL GROUP</b>							
13		Sheath Heater w/Bracket	See Electric Heat Group				
14		Sequencing / Heat Relay	See Electric Heat Group				
15	Stk	Transformer	46-23115-02	46-23115-02	46-23115-02	46-23115-02	
16		Limit Switch	See Electric Heat Group				
17	1	Circuit Breaker (Before W1821)	42-23201-01 (2)	42-23201-01 (2)	42-23201-01 (2)	42-23201-01 (2)	
	1	Jumper Bar - 4 Pole (Before W1821)	45-23202-01	45-23202-01	45-23202-01	45-23202-01	
	1	Jumper Bar Cover (Before W1821)	45-23202-10	45-23202-10	45-23202-10	45-23202-10	
	1	Finger Stop Voltage (Before W1821)	N/A	N/A	45-23203-01	45-23203-01	
17		Circuit Breaker (On or After W1821)	42-107430-03 (2)	42-107430-03 (2)	42-107430-03 (2)	42-107430-03 (2)	
		Jumper Bar - 4 Pole (On or After W1821)	45-107429-02	45-107429-02	45-107429-02	45-107429-02	
		Jumper Bar Cover (On or After W1821)	45-107429-03	45-107429-03	45-107429-03	45-107429-03	
		Finger Safe Cover (On or After W1821)	N/A	45-107429-04	45-107429-04	45-107429-04	
18		Watt Restrictors	47-23117-01	47-23117-02	47-23117-02	47-23117-02	
19	Stk	Defrost Heater Control	47-23118-01	47-23118-01	47-23118-01	47-23118-01	
		Terminal Block	N/A				

No.	Notes	MODEL CABINET WIDTH VOLTAGE HEAT DESIGNATION	RBHP 24 J 06	RBHP 24 J 07	RBHP 24 J 11	RBHP 24 J 14		
<b>ELECTRICAL GROUP</b>								
13		Sheath Heater w/Bracket	See Electric Heat Group					
14		Sequencing / Heat Relay	See Electric Heat Group					
15	Stk	Transformer	46-23115-02	46-23115-02	46-23115-02	46-23115-02		
16		Limit Switch	See Electric Heat Group					
17	1	Circuit Breaker (Before W1920)	42-23201-01	42-23201-01	42-23201-01	42-23201-01		
	1	Finger Stop Voltage (Before W2520)	45-23203-01 (2)	45-23203-01 (2)	45-23203-01 (2)	45-23203-01 (2)		
17		Circuit Breaker (On or After W1920)	42-107430-03	42-107430-03	42-107430-03	42-107430-03		
		Finger Safe Cover (On or After W2520)	45-107429-04 (2)	45-107429-04 (2)	45-107429-04 (2)	45-107429-04 (2)		
18		Watt Restrictors	N/A	N/A	N/A	47-23117-02		
19	Stk	Defrost Heater Control	N/A	N/A	N/A	47-23118-01		
		Terminal Block	N/A	N/A	N/A	N/A		

No.	Notes	MODEL CABINET WIDTH VOLTAGE HEAT DESIGNATION	RBHP 25 A 00	RBHP 25 J 11	RBHP 25 J 14			
<b>ELECTRICAL GROUP</b>								
13		Sheath Heater w/Bracket	See Electric Heat Group					
14		Sequencing / Heat Relay	See Electric Heat Group					
15	Stk	Transformer	46-23115-01	46-23115-02	46-23115-02			
		Power Factor Choke	46-24256-04	N/A	N/A			
16		Limit Switch	See Electric Heat Group					
17	1	Circuit Breaker (Before W1920)	N/A	42-23201-01	42-23201-01 (2)			
	1	Finger Stop Voltage (Before W2520)	N/A	45-23203-01 (2)	45-23203-01			
	1	Jumper Bar - 4 Pole (Before W1821)	N/A	N/A	N/A			
	1	Circuit Breaker Cover (2-2 Pole) (Before W1821)	N/A	N/A	45-23202-10			
17		Circuit Breaker (On or After W1920)	N/A	42-107430-03	42-107430-03 (2)			
		Finger Safe Cover (On or After W2520)	N/A	45-107429-04 (2)	45-107429-04			
		Jumper Bar - 4 Pole (After W1821)	N/A	N/A	N/A			
		Jumper Bar Cover (After W1821)	N/A	N/A	45-107429-03			
18		Watt Restrictors	N/A	N/A	47-23117-02			
19	Stk	Defrost Heater Control	N/A	N/A	47-23118-01			
		Terminal Block	45-23222-02	N/A	N/A			

No.	Notes	MODEL CABINET WIDTH VOLTAGE HEAT DESIGNATION CONTROLAIR FLOW MINOR SERIES	RBHP	RBHP	RBHP	RBHP	RBHP	RBHP
			17 A 00 NH FIRST	17 J 06 SH FIRST	17 J 06 SH SECOND	17 J 07 SH FIRST	17 J 07 SH SECOND	17 J 11 SH FIRST
<b>BLOWER GROUP</b>								
7		Blower Housing	AS-58391-01	AS-58391-23	AS-58391-28	AS-58391-03	AS-58391-29	AS-58391-04
8		Air Straightener	AE-58392-02	AE-58392-02	AE-58392-02	AE-58392-02	AE-58392-02	AE-58392-02
9	Stk	Blower Wheel	<a href="#">70-23111-50</a>	<a href="#">70-23111-50</a>	<a href="#">70-23111-50</a>	<a href="#">70-23111-50</a>	<a href="#">70-23111-50</a>	<a href="#">70-23111-50</a>
		Coil Rail Top (2)	AE-103180-01	AE-103180-01	AE-103180-01	AE-103180-01	AE-103180-01	AE-103180-01
		Coil Rail Bottom (2)	AE-103181-01	AE-103181-01	AE-103181-01	AE-103181-01	AE-103181-01	AE-103181-01
		Rear Coil Support	AE-103179-02	AE-103179-02	AE-103179-02	AE-103179-02	AE-103179-02	AE-103179-02
		Rear Blower Support	AE-58349-05	AE-58349-05	AE-58349-05	AE-58349-05	AE-58349-05	AE-58349-05
		Blockoff Plate (2)	AS-59320-02	AS-59320-02	AS-59320-02	AS-59320-02	AS-59320-02	AS-59320-02
10	Stk	Blower Motor	<a href="#">51-102171-02</a>	<a href="#">51-104358-04</a>	<a href="#">51-104358-04</a>	<a href="#">51-104358-04</a>	<a href="#">51-104358-04</a>	<a href="#">51-104358-04</a>
	Stk	Control Board	<a href="#">47-100436-02</a>	<a href="#">47-100436-02</a>	<a href="#">47-102077-05</a>	<a href="#">47-100436-02</a>	<a href="#">47-102077-05</a>	<a href="#">47-100436-02</a>
	Stk	Limit Control Manual Reset	N/A	N/A	47-22861-06	N/A	47-22861-06	N/A
11		Motor Mounting Kit	<a href="#">70-24104-81</a>	<a href="#">70-24104-81</a>	<a href="#">70-24104-81</a>	<a href="#">70-24104-81</a>	<a href="#">70-24104-81</a>	<a href="#">70-24104-81</a>
		Plug Housing Assembly - T-Stat	45-101891-03	45-101891-03	45-101891-03	45-101891-03	45-101891-03	45-101891-03

No.	Notes	MODEL CABINET WIDTH VOLTAGE HEAT DESIGNATION CONTROLAIR FLOW MINOR SERIES	RBHP	RBHP	RBHP	RBHP	RBHP
			21 A 00 NH FIRST	21 J 06 SH FIRST	21 J 07 SH FIRST	21 J 11 SH FIRST	21 J 14 SH FIRST
<b>BLOWER GROUP</b>							
7		Blower Housing	AS-58391-05	AS-58391-24	AS-58391-07	AS-58391-08	AS-58391-09
8		Air Straightener	AE-58392-02	AE-58392-02	AE-58392-02	AE-58392-02	AE-58392-02
9	Stk	Blower Wheel	<a href="#">70-23111-51</a>	<a href="#">70-23111-51</a>	<a href="#">70-23111-51</a>	<a href="#">70-23111-51</a>	<a href="#">70-23111-51</a>
		Coil Rail Top (2)	AE-103180-01	AE-103180-01	AE-103180-01	AE-103180-01	AE-103180-01
		Coil Rail Bottom (2)	AE-103181-01	AE-103181-01	AE-103181-01	AE-103181-01	AE-103181-01
		Rear Coil Support	AE-103179-03	AE-103179-03	AE-103179-03	AE-103179-03	AE-103179-03
		Rear Blower Support	AE-58349-06	AE-58349-06	AE-58349-06	AE-58349-06	AE-58349-06
		Blockoff Plate (2)	AS-59320-02	AS-59320-02	AS-59320-02	AS-59320-02	AS-59320-02
10	Stk	Blower Motor	<a href="#">51-102172-02</a>	<a href="#">51-104359-10</a>	<a href="#">51-101880-10</a>	<a href="#">51-101880-10</a>	<a href="#">51-101880-10</a>
	Stk	Control Board	<a href="#">47-100436-02</a>	<a href="#">47-100436-02</a>	<a href="#">47-100436-02</a>	<a href="#">47-100436-02</a>	<a href="#">47-100436-02</a>
11		Motor Mounting Kit	<a href="#">70-24104-81</a>	<a href="#">70-24104-81</a>	<a href="#">70-24104-81</a>	<a href="#">70-24104-81</a>	<a href="#">70-24104-81</a>
		Plug Housing Assembly - T-Stat	45-101891-03	45-101891-03	45-101891-03	45-101891-03	45-101891-03

No.	Notes	MODEL CABINET WIDTH VOLTAGE HEAT DESIGNATION CONTROLAIR FLOW MINOR SERIES	RBHP	RBHP	RBHP	RBHP	RBHP
				21 J 06 SH SECOND	21 J 07 SH SECOND	21 J 11 SH SECOND	24 J 14 SH FIRST
<b>BLOWER GROUP</b>							
7		Blower Housing		AS-58391-30	AS-58391-27	AS-58391-31	AS-58391-14
8		Air Straightener		AE-58392-02	AE-58392-02	AE-58392-02	AE-58392-02
9	Stk	Blower Wheel		<a href="#">70-23111-51</a>	<a href="#">70-23111-51</a>	<a href="#">70-23111-51</a>	<a href="#">70-23111-43</a>
		Coil Rail Top (2)		AE-103180-01	AE-103180-01	AE-103180-01	N/A
		Coil Rail Bottom (2)		AE-103181-01	AE-103181-01	AE-103181-01	N/A
		Rear Coil Support		AE-103179-03	AE-103179-03	AE-103179-03	AE-58349-04
		Rear Blower Support		AE-58349-06	AE-58349-06	AE-58349-06	AE-58349-06
		Blockoff Plate (2)		AS-59320-02	AS-59320-02	AS-59320-02	N/A
10	Stk	Blower Motor		<a href="#">51-106545-10</a>	<a href="#">51-106545-10</a>	<a href="#">51-106545-10</a>	<a href="#">51-101920-08</a>
	Stk	Control Board		<a href="#">47-102077-05</a>	<a href="#">47-102077-05</a>	<a href="#">47-102077-05</a>	<a href="#">47-100436-02</a>
	Stk	Limit Control Manual Reset		47-22861-06	47-22861-07	47-22861-08	N/A
11		Motor Mounting Kit		<a href="#">70-24104-81</a>	<a href="#">70-24104-81</a>	<a href="#">70-24104-81</a>	<a href="#">70-24104-81</a>
		Plug Housing Assembly - T-Stat		45-101891-03	45-101891-03	45-101891-03	45-101891-03
		Front Coil Support		N/A	N/A	N/A	AE-58348-04
		Front Coil Support (2)		N/A	N/A	N/A	AE-58348-10
		Rear Coil Support (2)		N/A	N/A	N/A	AE-58349-10

No.	Notes	MODEL CABINET WIDTH VOLTAGE HEAT DESIGNATION CONTROLAIR FLOW MINOR SERIES	TBHP	RBHP	RBHP	RBHP	RBHP
			24 A 00 SH FIRST	24 J 06 SH FIRST	24 J 07 SH FIRST	24 J 11 SH FIRST	24 J 18 SH FIRST
<b>BLOWER GROUP</b>							
7		Blower Housing	AS-58391-10	AS-58391-25	AS-58391-12	AS-58391-13	AS-58391-15
8		Air Straightener	AE-58392-02	AE-58392-02	AE-58392-02	AE-58392-02	AE-58392-02
9	Stk	Blower Wheel	<a href="#">70-23111-43</a>	<a href="#">70-23111-43</a>	<a href="#">70-23111-43</a>	<a href="#">70-23111-43</a>	<a href="#">70-23111-43</a>
		Coil Rail Top (2)	AE-103180-01	AE-103180-01	AE-103180-01	AE-103180-01	AE-103180-01
		Coil Rail Bottom (2)	AE-103181-01	AE-103181-01	AE-103181-01	AE-103181-01	AE-103181-01
		Rear Coil Support	AE-103179-04	AE-103179-04	AE-103179-04	AE-103179-04	AE-103179-04
		Rear Blower Support	AE-58349-06	AE-58349-06	AE-58349-06	AE-58349-06	AE-58349-06
		Blockoff Plate (2)	AS-59320-02	AS-59320-02	AS-59320-02	AS-59320-02	AS-59320-02
10	Stk	Blower Motor	51-102173-03	51-101920-08	51-101920-08	51-101920-08	51-101920-08
	Stk	Control Board	<a href="#">47-100436-02</a>	<a href="#">47-100436-02</a>	<a href="#">47-100436-02</a>	<a href="#">47-100436-02</a>	<a href="#">47-100436-02</a>
11		Motor Mounting Kit	<a href="#">70-24104-81</a>	<a href="#">70-24104-81</a>	<a href="#">70-24104-81</a>	<a href="#">70-24104-81</a>	<a href="#">70-24104-81</a>
		Plug Housing Assembly - T-Stat	45-101891-03	45-101891-03	45-101891-03	45-101891-03	45-101891-03

No.	Notes	MODEL CABINET WIDTH VOLTAGE HEAT DESIGNATION CONTROLAIR FLOW MINOR SERIES		RBHP	RBHP	RBHP	RBHP
				24 J 06 SH SECOND	24 J 07 SH SECOND	24 J 11 SH SECOND	25 J 11 SH SECOND
<b>BLOWER GROUP</b>							
7		Blower Housing		AS-58391-32	AS-58391-33	AS-58391-34	AS-58391-35
8		Air Straightener		AE-58392-02	AE-58392-02	AE-58392-02	AE-58392-02
9	Stk	Blower Wheel		<a href="#">70-23111-43</a>	<a href="#">70-23111-43</a>	<a href="#">70-23111-43</a>	<a href="#">70-23111-44</a>
		Coil Rail Top (2)		AE-103180-01	AE-103180-01	AE-103180-01	AE-103180-01
		Coil Rail Bottom (2)		AE-103181-01	AE-103181-01	AE-103181-01	AE-103181-01
		Rear Coil Support		AE-103179-04	AE-103179-04	AE-103179-04	AE-103179-04
		Rear Blower Support		AE-58349-06	AE-58349-06	AE-58349-06	AE-58349-06
		Blockoff Plate (2)		AS-59320-02	AS-59320-02	AS-59320-02	N/A
10	Stk	Blower Motor		51-106546-08	51-106546-08	51-106546-08	51-106546-19
	Stk	Control Board		47-102077-05	47-102077-05	47-102077-05	47-102077-05
	Stk	Limit Control Manual Reset		47-22861-07	47-22861-06	47-22861-08	47-22861-06
11		Motor Mounting Kit		<a href="#">70-24104-81</a>	<a href="#">70-24104-81</a>	<a href="#">70-24104-81</a>	<a href="#">70-24104-81</a>
		Plug Housing Assembly - T-Stat		45-101891-03	45-101891-03	45-101891-03	45-101891-03

No.	Notes	MODEL CABINET WIDTH VOLTAGE HEAT DESIGNATION CONTROLAIR FLOW MINOR SERIES	TBHP	RBHP	RBHP	RBHP	
			25 A 00 SH FIRST	25 J 11 SH FIRST	25 J 18 SH FIRST	25 J 21 SH FIRST	
<b>BLOWER GROUP</b>							
7		Blower Housing	AS-58391-16	AS-58391-19	AS-58391-21	AS-58391-22	
8		Air Straightener	AE-58392-02	AE-58392-02	AE-58392-02	AE-58392-02	
9	Stk	Blower Wheel	<a href="#">70-23111-44</a>	<a href="#">70-23111-44</a>	<a href="#">70-23111-44</a>	<a href="#">70-23111-44</a>	
		Coil Rail Top (2)	AE-103180-01	AE-103180-01	AE-103180-01	AE-103180-01	
		Coil Rail Bottom (2)	AE-103181-01	AE-103181-01	AE-103181-01	AE-103181-01	
		Rear Coil Support	AE-103179-04	AE-103179-04	AE-103179-04	AE-103179-04	
		Rear Blower Support	AE-58349-06	AE-58349-06	AE-58349-06	AE-58349-06	
		Blockoff Plate (2)	N/A	N/A	N/A		
10	Stk	Blower Motor	51-102173-04	51-101920-19	51-101920-19	51-101920-19	
	Stk	Control Board	<a href="#">47-100436-02</a>	<a href="#">47-100436-02</a>	<a href="#">47-100436-02</a>	<a href="#">47-100436-02</a>	
11		Motor Mounting Kit	<a href="#">70-24104-81</a>	<a href="#">70-24104-81</a>	<a href="#">70-24104-81</a>	<a href="#">70-24104-81</a>	
		Plug Housing Assembly - T-Stat	45-101891-03	45-101891-03	45-101891-03	45-101891-03	

No.	Notes	MODEL CABINET WIDTH VOLTAGE HEAT DESIGNATION	RBHP 17 A 00	RBHP 17 J 06	RBHP 17 J 07	RBHP 17 J 11	RBHP 21 A 00
<b>ELECTRIC HEAT GROUP</b>							
13	Stk	Sheath Heater w/Bracket	N/A	AS-58386-11 (2)	AS-58386-12 (2)	AS-58386-12 (3)	N/A
14	Stk	Sequencing / Heat Relay (First Series only)	N/A	42-23116-06	42-23116-09	42-23116-06	N/A
14	Stk	Sequencing / Heat Relay (First Series only)	N/A	N/A	N/A	42-23116-08	N/A
14	Stk	Power Relay (Second 'B' Series only)	N/A	42-101208-05	42-101208-05	N/A	N/A
16	Stk	Limit Switch - Position 1 (Green)	N/A	47-23113-01	47-23113-01	47-23113-01	N/A
16	Stk	Limit Switch - Position 2 (Blue)	N/A	N/A	47-23113-02	47-23113-02	N/A
16	Stk	Limit Switch - Position 3 (Blue)	N/A	N/A	N/A	47-23113-02	N/A
16		Limit Switch - Position 4	N/A	N/A	N/A	N/A	N/A
16		Limit Switch - Position 5	N/A	N/A	N/A	N/A	N/A
16		Limit Switch - Position 6	N/A	N/A	N/A	N/A	N/A

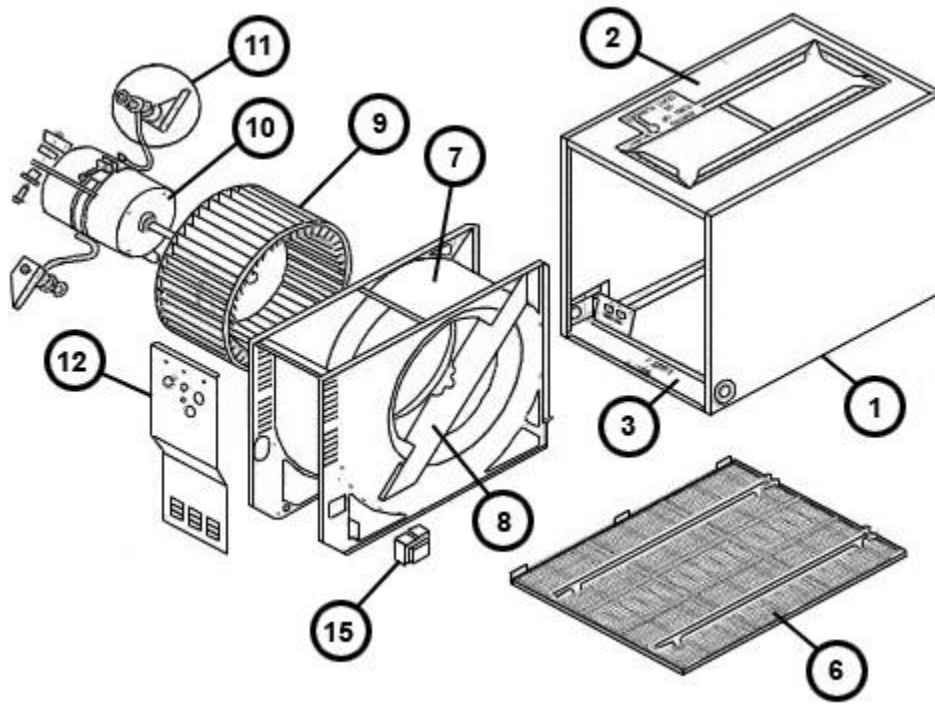
No.	Notes	MODEL CABINET WIDTH VOLTAGE HEAT DESIGNATION	RBHP 21 J 06	RBHP 21 J 07	RBHP 21 J 11	RBHP 21 J 14	RBHP 24 A 00
<b>ELECTRIC HEAT GROUP</b>							
13	Stk	Sheath Heater w/Bracket	AS-58386-11 (2)	AS-58386-12 (2)	AS-58386-12 (3)	AS-58386-12 (4)	N/A
14	Stk	Sequencing / Heat Relay (First Series only)	42-23116-06	42-23116-09	42-23116-06	42-23116-08	N/A
14	Stk	Sequencing / Heat Relay (First Series only)	N/A	N/A	42-23116-08	42-23116-09	N/A
14	Stk	Power Relay (Second 'B' Series only)	42-101208-05	42-101208-05	42-101208-05 (2)	N/A	N/A
16	Stk	Limit Switch - Position 1 (Yellow)	47-23113-03	47-23113-03	47-23113-03	47-23113-03	N/A
16	Stk	Limit Switch - Position 2 (Blue)	N/A	47-23113-02	47-23113-02	47-23113-02	N/A
16	Stk	Limit Switch - Position 3 (White)	N/A	N/A	47-23113-04	47-23113-04	N/A
16	Stk	Limit Switch - Position 4 (White)	N/A	N/A	N/A	47-23113-04	N/A
16		Limit Switch - Position 5	N/A	N/A	N/A	N/A	N/A
16		Limit Switch - Position 6	N/A	N/A	N/A	N/A	N/A

No.	Notes	MODEL CABINET WIDTH VOLTAGE HEAT DESIGNATION	RBHP 24 J 06	RBHP 24 J 07	RBHP 24 J 11	RBHP 24 J 14	RBHP 24 J 18
<b>ELECTRIC HEAT GROUP</b>							
13	Stk	Sheath Heater w/Bracket	AS-58386-11 (2)	AS-58386-12 (2)	AS-58386-12 (3)	AS-58386-12 (4)	AS-58386-12 (5)
14	Stk	Sequencing / Heat Relay (First Series only)	N/A	42-23116-09	42-23116-06	42-23116-08	42-23116-09
14	Stk	Sequencing / Heat Relay (First Series only)	N/A	N/A	42-23116-08	42-23116-09	42-23116-09
14	Stk	Power Relay (Second 'B' Series only)	42-101208-05	42-101208-05	42-101208-05 (2)	N/A	N/A
16	Stk	Limit Switch - Position 1 (Green)	47-23113-01	47-23113-01	47-23113-01	47-23113-01	47-23113-01
16	Stk	Limit Switch - Position 2 (Red)	N/A	47-23113-05	47-23113-05	47-23113-05	47-23113-05
16	Stk	Limit Switch - Position 3 (Red)	N/A	N/A	47-23113-05	47-23113-05	47-23113-05
16	Stk	Limit Switch - Position 4 (White)	N/A	N/A	N/A	47-23113-04	47-23113-04
16	Stk	Limit Switch - Position 5 (White)	N/A	N/A	N/A	N/A	47-23113-04
16		Limit Switch - Position 6	N/A	N/A	N/A	N/A	N/A

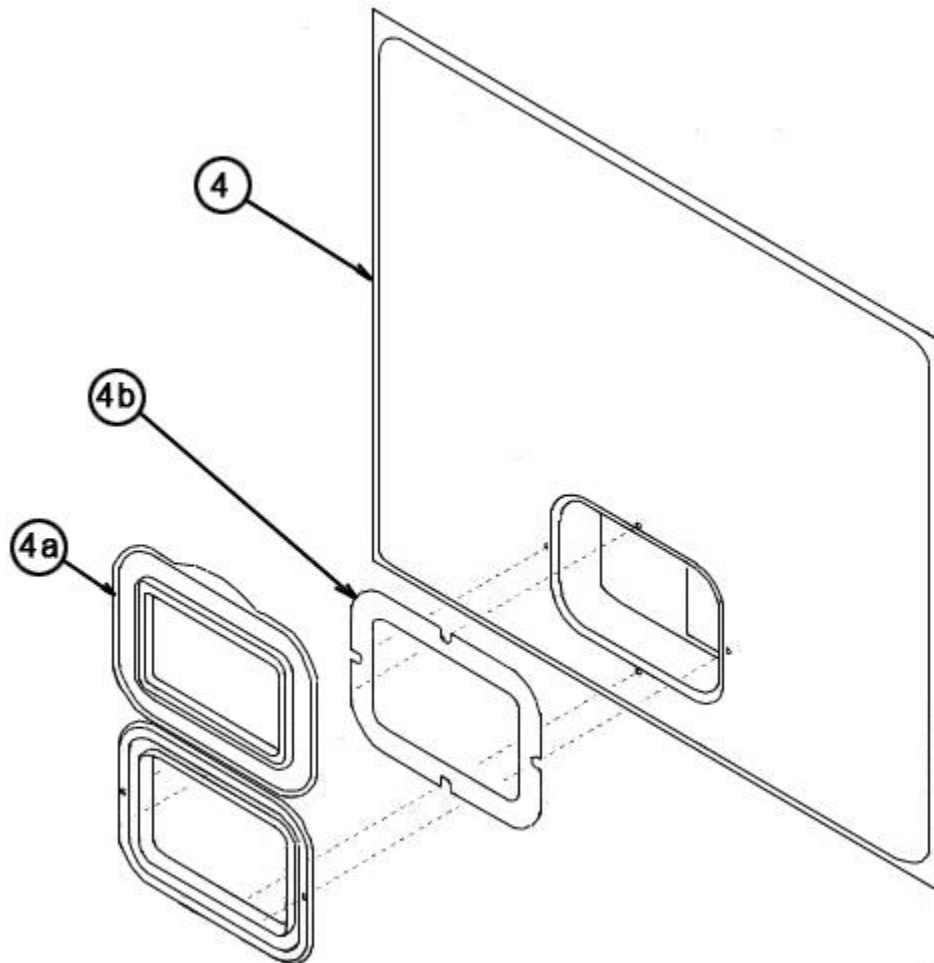
No.	Notes	MODEL CABINET WIDTH VOLTAGE HEAT DESIGNATION	RBHP 25 A 00	RBHP 25 J 11	RBHP 25 J 14	RBHP 25 J 18	RBHP 25 J 21
<b>ELECTRIC HEAT GROUP</b>							
13	Stk	Sheath Heater w/Bracket	N/A	AS-58386-12 (3)	AS-58386-12 (4)	AS-58386-12 (5)	AS-58386-12 (6)
14	Stk	Sequencing / Heat Relay	N/A	42-23116-06	42-23116-08	42-23116-06	42-23116-09
14	Stk	Sequencing / Heat Relay	N/A	42-23116-08	42-23116-09	42-23116-08	42-23116-09
14	Stk	Power Relay (Second 'B' Series only)	N/A	42-101208-05 (2)	N/A	N/A	N/A
16	Stk	Limit Switch - Position 1(Green)	N/A	47-23113-01	47-23113-01	47-23113-01	47-23113-01
16	Stk	Limit Switch - Position 2 (Blue)	N/A	47-23113-02	47-23113-02	47-23113-02	47-23113-02
16	Stk	Limit Switch - Position 3 (Red)	N/A	47-23113-05	47-23113-05	47-23113-05	47-23113-05
16	Stk	Limit Switch - Position 4 (Red)	N/A	N/A	47-23113-05	47-23113-05	47-23113-05
16	Stk	Limit Switch - Position 5 (Orange)	N/A	N/A	N/A	47-23113-06	47-23113-06
16	Stk	Limit Switch - Position 6 (Orange)	N/A	N/A	N/A	N/A	47-23113-06

No.	Notes	CABINET SIZE	RBHP	RBHP	RBHP	RBHP
		MODEL	17	21	24	25
		REFRIGERANT	1	2	4	7
<b>COILS</b>						
		Coil Assembly - Air Flow Connection H	RCHL-24A2GH17	RCHL-36A1GH21	RCHL-48A1GH24	RCHL-60A1GH24

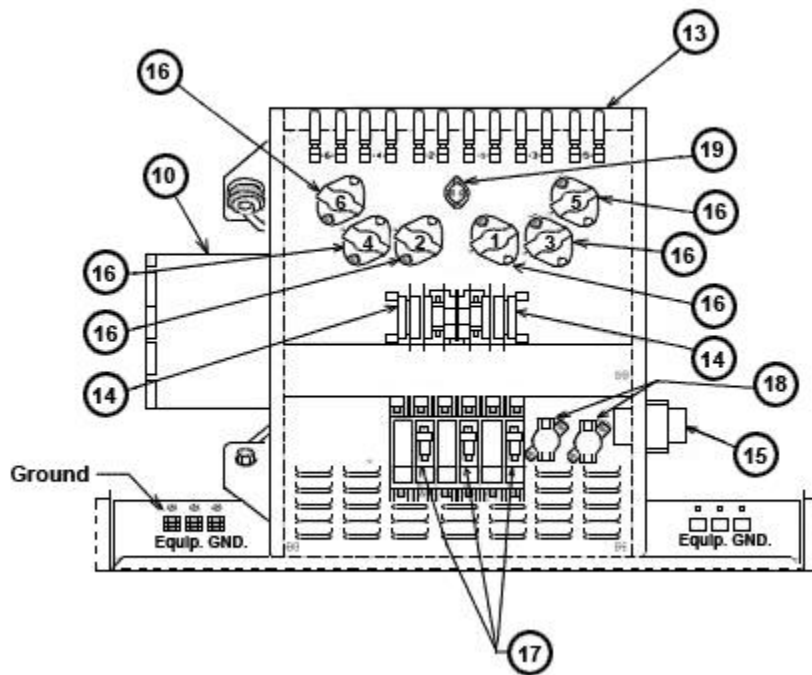
No.	Notes	CABINET SIZE	RBHP	RBHP	RBHP	RBHP
		MODEL	17	21	24	25
<b>ACCESSORIES</b>						
		Replacement Filters	54-23217-02	54-23217-03	54-23217-04	54-23217-04
		Finger Safe Circuit Breaker Cover - (1 for each Circuit Breaker Pole)	45-23203-01	45-23203-01	45-23203-01	45-23203-01
		Horizontal Drain Pan	RXBD-CB	RXBD-CB	RXBD-CB	RXBD-CB
		Auxiliary Horizontal Drain Pan	RXBM-AA06	RXBM-AA06	RXBM-AA06	RXBM-AA06



Exploded View



Door Assembly



Electrical Assembly

# NOTES

Stk It is recommended that stock be maintained for this part.

N/A Not Applicable

- 1 If stock is not available for this part number then the Breaker and Finger Stops, or Breakers, Jumper Bar and Cover must all be replaced with the newer components.

**DISCLAIMER:** This document is intended to provide general replacement parts information to aid qualified service personnel in the repair of these models. The complete Model and Serial Number of the unit under repair should be specified when selecting and ordering replacement parts. Specifications and illustrations are subject to change without notice. Document 92-42800-RBHP supersedes all previous parts lists for these models. See <http://www.rheempartslists.net/92-42800-RBHP> for the latest revision of this document. The manufacturer assumes no obligation for errors or omissions. Service personnel must verify the proper and safe operation of equipment after the replacement of any original components.