



RH1Q

Parts List
24-April-2020



*This parts list is current as of the above revision date.
See <http://www.rheempartslists.net/92-42800-RH1Q.pdf> for the current revision.*

Air Handlers

Table of Contents

Model Explanation	Page 3
Parts Numbers	
Panels - Miscellaneous	Page 4
Electrical Group	Page 5
Blower Group	Page 6
Coil Parts	Page 7
Heater Kits	Page 7
Drawings/Photographs	
Exploded View	Page 8
Blower Assembly	Page 9
Notes/Disclaimer	Page 10

MODEL NUMBER EXPLANATION

R	H	1	Q	4	2	2	1	S	T	A	N	J	A	***
1	2	3	4	5		6		7	8	9	10	11	12	13

- | | |
|--|--|
| <p>(1) BRAND</p> <p>(2) AIR HANDLER</p> <p>(3) STAGE OF AIRFLOW
1 = Single</p> <p>(4) MOTOR TYPE
Q = Constant Torque</p> <p>(5) CAPACITY (BTU/HR)
42 = 42,000 BTU/HR</p> <p>(6) WIDTH
21 = 21 in. (800 - 1600 CFM)</p> <p>(7) EFFICIENCY
S = Standard</p> <p>(8) METERING DEVICE
T = TEV (TXV)</p> | <p>(9) MAJOR SERIES
A = First</p> <p>(10) CONTROLS
N = Non-Communicating</p> <p>(11) VOLTAGE
J = 208-230/1/60</p> <p>(12) MINOR SERIES
A = First</p> <p>(13) OPTION CODE
Blank = None</p> |
|--|--|

SERIAL NUMBER EXPLANATION

W	0	7	0	9	9	9	9	9	9
1	2		3				4		

- 1 PRODUCTION LOCATION**
W = Nuevo Laredo (West)
- 2 WEEK OF PRODUCTION**
- 3 YEAR OF PRODUCTION**
- 4 PRODUCTION NUMBER**

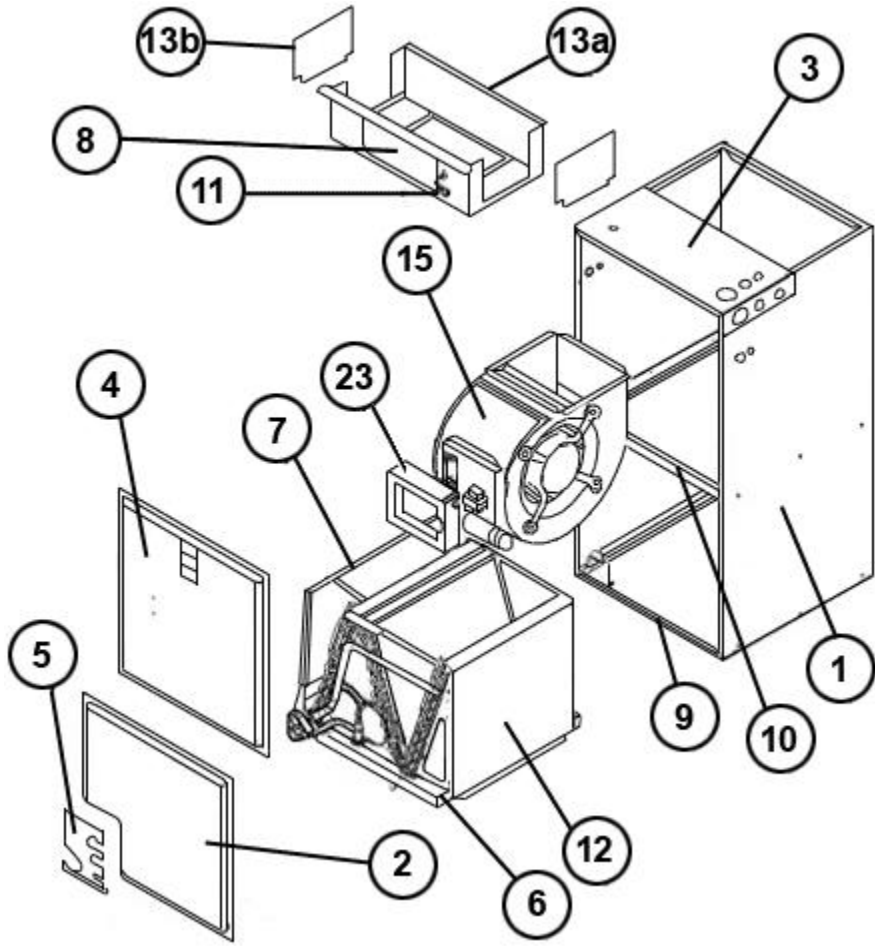
No.	Notes	MODEL	RH1Q				
		CAPACITY	42				
		CABINET SIZE	21				
		COIL SIZE/METERING	ST				
		MAJOR SERIES/CONTROLS	AN				
		VOLTAGE/MINOR SERIES	JA				
PANELS, SHEET METAL, MISCELLANEOUS							
1		Cabinet	N/A				
		Insulation - Cabinet	68-101121-03				
		Insulation Retainer Rod (2)	45-102868-03				
2		Coil Door	AE-100685-34				
		Insulation - Coil Door	68-101577-08				
3		Top Cover Plate	AE-100686-32				
		Insulation - Top Cover Plate	68-101122-02				
4		Blower Door	AE-100684-32				
		Insulation - Blower Door	68-101576-02				
5		Access Panel	AE-101133-31				
		Insulation - Access Panel	68-101644-01				
		Poron Gasket (Blower & Coil Doors)	68-42246-03				
6		Drain Pan - Vertical				See RCH Coil Parts List	
7		Drain Pan - Horizontal				See RCH Coil Parts List	
8		Plate - Block Off	AE-100455-01				
9		Cabinet Brace	AE-101134-03				
10		Middle Brace	AE-101054-02				
13a		Heat Barrier	AE-100683-06				
13b		Heat Barrier Side (2)	AE-104241-01				
		Insulation Retainer Rod (2)	45-102868-03				
		Duct Flanges (2)	AE-101048-07				
		Touch-up Paint - Granite/Steel Gray (Aerosol)	PD523018				
		Touch-up Paint - Granite/Steel Gray (Paint Pens)	PD523019				

No.	Notes	MODEL	RH1Q				
		CAPACITY	42				
		CABINET SIZE	21				
		COIL SIZE/METERING	ST				
		MAJOR SERIES/CONTROLS	AN				
		VOLTAGE/MINOR SERIES	JA				
ELECTRICAL GROUP							
17	Stk	Transformer	46-101905-01				
18	Stk	Control Board	47-102077-05				
		Wiring Harness - 6 Pin Molex to 6 stripped wires (For T-Stat)	45-101891-01				
		Wiring Harness - 1 strip lead and 1 connector to single connector (Control Transformer to Blower Motor to Terminal Block - Black Wires)	45-24258-18				
		Wiring Harness - 1 strip lead and 1 connector to single connector (Control Transformer to Blower Motor and Terminal Block)	45-24258-22				
11		Terminal Block	45-23222-02				

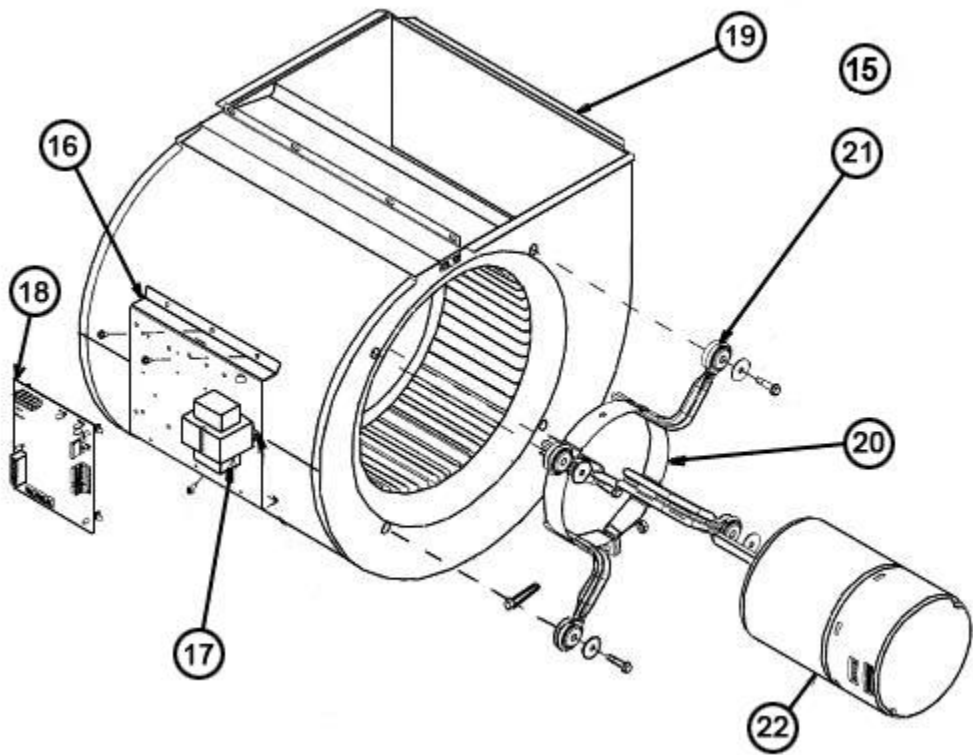
No.	Notes	MODEL	RH1Q				
		CAPACITY	42				
		CABINET SIZE	21				
		COIL SIZE/METERING	ST				
		MAJOR SERIES/CONTROLS	AN				
		VOLTAGE/MINOR SERIES	JA				
BLOWER GROUP							
15	Stk	Blower Assembly (Includes items 16-22)	AS-101886-03				
16		Mounting Bracket - Control Board	AE-101049-01				
17		Transformer				See Electrical Group	
18		Control Board				See Electrical Group	
19		Blower Housing w/Wheel	70-101729-08				
	Stk	Blower Wheel	703023				
20		Motor Mount - Band	70-19927-04				
21		Motor Mount - Arm (4)	70-19929-10				
22	Stk	Blower Motor	51-104360-01				
		Power Factor Choke	N/A				
23		Mounting Bracket Cover	AE-101797-01				

No. Notes	MODEL	RH1Q				
	CAPACITY	42				
	CABINET SIZE	21				
	COIL SIZE/METERING	ST				
COIL GROUP (TXV Coil)						
12	Replacement Coil w/TXV	RCH-4821STAVUA				
	Horizontal Adapter Kit					See specified RCH Coil Parts List
	Drain Pan - Vertical					See specified RCH Coil Parts List
	TXV					See specified RCH Coil Parts List

No. Notes	MODEL	RH1Q				
	CAPACITY	42				
	CABINET SIZE	21				
	COIL SIZE/METERING	ST				
HEATER KITS						
	Heater Kit - 3kW/208-240/1	N/A				
	Heater Kit - 5kW/208-240/1	RXBH-1724A05J RXBH-1724B05J RXBH-1724C05J				
	Heater Kit - 7kW/208-240/1	RXBH-1724A07J RXBH-1724B07J RXBH-1724C07J				
	Heater Kit - 10kW/208-240/1	RXBH-1724A10J RXBH-1724B10J RXBH-1724C10J				
	Heater Kit - 13kW/208-240/1	N/A				
	Heater Kit - 15kW/208-240/1	RXBH-1724A15J				
	Heater Kit - 18kW/208-240/1	RXBH-1724A18J				
	Heater Kit - 20kW/208-240/1	RXBH-24A20J				
	Heater Kit - 25kW/208-240/1	RXBH-24A25J				
	Heater Kit - 30kW/208-240/1	N/A				
	Heater Kit - 7kW/208-240/3	RXBH-1724A07C				
	Heater Kit - 10kW/208-240/3	RXBH-1724A10C				
	Heater Kit - 13kW/208-240/3	N/A				
	Heater Kit - 15kW/208-240/3	RXBH-1724A15C				
	Heater Kit - 18kW/208-240/3	RXBH-1724A18C				
	Heater Kit - 20kW/208-240/3	RXBH-24A20C				
	Heater Kit - 25kW/208-240/3	RXBH-24A25C				
	Heater Kit - 30kW/208-240/3	N/A				
	Heater Kit - 20kW/480/3	RXBH-24A20D				
	Heater Kit - 25kW/480/3	RXBH-24A25D				
	Heater Kit - 30kW/480/3	N/A				



Exploded View



Blower Assembly

NOTES

Stk It is recommended that stock be maintained for this part.
N/A Not Applicable

DISCLAIMER: This document is intended to provide general replacement parts information to aid qualified service personnel in the repair of these models. The complete Model and Serial Number of the unit under repair should be specified when selecting and ordering replacement parts. Specifications and illustrations are subject to change without notice. Document 92-42800-RH1Q supersedes all previous parts lists for these models. See <http://www.rheempartslists.net/92-42800-RH1Q> for the latest revision of this document. The manufacturer assumes no obligation for errors or omissions. Service personnel must verify the proper and safe operation of equipment after the replacement of any original components.