



RH1T

Parts List
23-June-2021



*This parts list is current as of the above revision date.
See <http://www.rheempartslists.net/92-42800-RH1T.pdf> for the current revision.*

Air Handlers

Table of Contents

Model Explanation	Page 3
Parts Numbers	
Panels - Miscellaneous (1)	Page 4
Panels - Miscellaneous (2)	Page 5
Panels - Miscellaneous (3)	Page 6
Panels - Miscellaneous (4)	Page 7
Electrical Group (1)	Page 8
Electrical Group (2)	Page 9
Electrical Group (3)	Page 10
Blower Group (1)	Page 11
Blower Group (2)	Page 12
Blower Group (3)	Page 13
Coil Parts	Page 14
Heater Kits (1)	Page 15
Heater Kits (2)	Page 16
Drawings/Photographs	
Exploded View	Page 17
Blower Assembly	Page 18
Notes/Disclaimer	Page 19

MODEL NUMBER EXPLANATION

R	H	1	T	2	4	1	7	S	T	A	N	A	A	***
1	2	3	4	5		6		7	8	9	10	11	12	13

- | | |
|--|--|
| <p>(1) BRAND</p> <p>(2) AIR HANDLER</p> <p>(3) STAGE OF AIRFLOW
1 = Single</p> <p>(4) MOTOR TYPE
T = Constant Torque</p> <p>(5) CAPACITY (BTU/HR)
18 = 18,000 BTU/HR
24 = 24,000 BTU/HR
30 = 30,000 BTU/HR
36 = 36,000 BTU/HR
42 = 42,000 BTU/HR
48 = 48,000 BTU/HR
60 = 60,000 BTU/HR</p> <p>(6) WIDTH
17 = 17.5 in. (600 - 1200 CFM)
21 = 21 in. (800 - 1600 CFM)
24 = 24.5 in. (1400 - 1800 CFM)</p> <p>(7) COIL SIZE
S = Standard
M = Medium
H = High</p> | <p>(8) METERING DEVICE
T = TEV (TXV)
E = EEV (EXV)
P = Piston</p> <p>(9) MAJOR SERIES
A = First
B = Piston Change</p> <p>(10) CONTROLS
C = Communicating
N = Non-Communicating</p> <p>(11) VOLTAGE
A = 115/1/60
D = 460/3/60
J = 208-230/1/60
T = 220-240/1/50</p> <p>(12) MINOR SERIES
A = First</p> <p>(13) OPTION CODE
Blank = None</p> |
|--|--|

SERIAL NUMBER EXPLANATION

W	0	7	0	9	9	9	9	9	9
1	2	3	4						

- 1 PRODUCTION LOCATION**
W = Nuevo Laredo (West)
- 2 WEEK OF PRODUCTION**
- 3 YEAR OF PRODUCTION**
- 4 PRODUCTION NUMBER**

No.	Notes	MODEL	RH1T	RH1T	RH1T	RH1T	RH1T
		CAPACITY	24	24	24	24	36
		CABINET SIZE	17	17	17	17	17
		COIL SIZE/METERING	SP	SP	ST	ST	SE
		MAJOR SERIES/CONTROLS	AN/BN	AN/BN	AN	AN	AN
		VOLTAGE/MINOR SERIES	AA	JA	AA	JA	JA
PANELS, SHEET METAL, MISCELLANEOUS							
1		Cabinet	N/A	N/A	N/A	N/A	N/A
		Insulation - Cabinet	68-101121-01	68-101121-01	68-101121-01	68-101121-01	68-101121-01
		Insulation Retainer Rod (2)	45-102868-02	45-102868-02	45-102868-02	45-102868-02	45-102868-02
2		Coil Door	AE-100685-32	AE-100685-32	AE-100685-32	AE-100685-32	AE-100685-32
		Insulation - Coil Door	68-101577-06	68-101577-06	68-101577-06	68-101577-06	68-101577-06
3		Top Cover Plate	AE-100686-31	AE-100686-31	AE-100686-31	AE-100686-31	AE-100686-31
		Insulation - Top Cover Plate	68-101122-01	68-101122-01	68-101122-01	68-101122-01	68-101122-01
4		Blower Door	AE-100684-31	AE-100684-31	AE-100684-31	AE-100684-31	AE-100684-31
		Insulation - Blower Door	68-101576-01	68-101576-01	68-101576-01	68-101576-01	68-101576-01
5		Access Panel	AE-101133-31	AE-101133-31	AE-101133-31	AE-101133-31	AE-101133-31
		Insulation - Access Panel	68-101644-01	68-101644-01	68-101644-01	68-101644-01	68-101644-01
		Poron Gasket (Blower & Coil Doors)	68-42246-03	68-42246-03	68-42246-03	68-42246-03	68-42246-03
6		Drain Pan - Vertical	See RCH Coil Parts List				
7		Drain Pan - Horizontal	See RCH Coil Parts List				
8		Plate - Block Off	AE-100455-01	AE-100455-01	AE-100455-01	AE-100455-01	AE-100455-01
9		Cabinet Brace	AE-101134-02	AE-101134-02	AE-101134-02	AE-101134-02	AE-101134-02
10		Middle Brace	AE-101054-01	AE-101054-01	AE-101054-01	AE-101054-01	AE-101054-01
13a		Heat Barrier	AE-100683-02	AE-100683-02	AE-100683-03	AE-100683-03	AE-100683-03
13b		Heat Barrier Side (2)	AE-104241-01	AE-104241-01	AE-104241-01	AE-104241-01	AE-104241-01
		Insulation Retainer Rod (2)	45-102868-02	45-102868-02	45-102868-02	45-102868-02	45-102868-02
		Duct Flanges (2)	AE-101048-07	AE-101048-07	AE-101048-07	AE-101048-07	AE-101048-07
		Touch-up Paint - Granite/Steel Gray (Aerosol)	PD523018	PD523018	PD523018	PD523018	PD523018
		Touch-up Paint - Granite/Steel Gray (Paint Pens)	PD523019	PD523019	PD523019	PD523019	PD523019

No.	Notes	MODEL	RH1T	RH1T	RH1T	RH1T	RH1T
		CAPACITY	36	36	36	36	36
		CABINET SIZE	17	17	17	17	17
		COIL SIZE/METERING	SP	SP	ST	ST	ST
		MAJOR SERIES/CONTROLS	AN/BN	AN/BN	AN	AN	AN
		VOLTAGE/MINOR SERIES	AA	JA	AA	JA	DA
PANELS, SHEET METAL, MISCELLANEOUS							
1		Cabinet	N/A	N/A	N/A	N/A	N/A
		Insulation - Cabinet	68-101121-01	68-101121-01	68-101121-01	68-101121-01	68-101121-01
		Insulation Retainer Rod (2)	45-102868-02	45-102868-02	45-102868-02	45-102868-02	45-102868-02
2		Coil Door	AE-100685-32	AE-100685-32	AE-100685-32	AE-100685-32	AE-100685-32
		Insulation - Coil Door	68-101577-06	68-101577-06	68-101577-06	68-101577-06	68-101577-06
3		Top Cover Plate	AE-100686-31	AE-100686-31	AE-100686-31	AE-100686-31	AE-100686-31
		Insulation - Top Cover Plate	68-101122-01	68-101122-01	68-101122-01	68-101122-01	68-101122-01
4		Blower Door	AE-100684-31	AE-100684-31	AE-100684-31	AE-100684-31	AE-100684-31
		Insulation - Blower Door	68-101576-01	68-101576-01	68-101576-01	68-101576-01	68-101576-01
5		Access Panel	AE-101133-31	AE-101133-31	AE-101133-31	AE-101133-31	AE-101133-31
		Insulation - Access Panel	68-101644-01	68-101644-01	68-101644-01	68-101644-01	68-101644-01
		Poron Gasket (Blower & Coil Doors)	68-42246-03	68-42246-03	68-42246-03	68-42246-03	68-42246-03
6		Drain Pan - Vertical	See RCH Coil Parts List				
7		Drain Pan - Horizontal	See RCH Coil Parts List				
8		Plate - Block Off	AE-100455-01	AE-100455-01	AE-100455-01	AE-100455-01	AE-100455-01
9		Cabinet Brace	AE-101134-02	AE-101134-02	AE-101134-02	AE-101134-02	AE-101134-02
10		Middle Brace	AE-101054-01	AE-101054-01	AE-101054-01	AE-101054-01	AE-101054-01
13a		Heat Barrier	AE-100683-03	AE-100683-03	AE-100683-03	AE-100683-03	AE-100683-03
13b		Heat Barrier Side (2)	AE-104241-01	AE-104241-01	AE-104241-01	AE-104241-01	AE-104241-01
		Insulation Retainer Rod (2)	45-102868-02	45-102868-02	45-102868-02	45-102868-02	45-102868-02
		Duct Flanges (2)	AE-101048-07	AE-101048-07	AE-101048-07	AE-101048-07	AE-101048-07
		Touch-up Paint - Granite/Steel Gray (Aerosol)	PD523018	PD523018	PD523018	PD523018	PD523018
		Touch-up Paint - Granite/Steel Gray (Paint Pens)	PD523019	PD523019	PD523019	PD523019	PD523019

No.	Notes	MODEL	RH1T	RH1T	RH1T	RH1T	RH1T	
		CAPACITY	36	36	36	36	36	
		CABINET SIZE	21	21	21	21	21	
		COIL SIZE/METERING	MT	MT	HT	HT	MT	
		MAJOR SERIES/CONTROLS	AN	AN	AN	AN	AN	
		VOLTAGE/MINOR SERIES	AA	JA	AA	JA	DA	
PANELS, SHEET METAL, MISCELLANEOUS								
1		Cabinet	N/A	N/A	N/A	N/A	N/A	
		Insulation - Cabinet	68-101121-03	68-101121-03	68-101121-15	68-101121-15	68-101121-03	
		Insulation Retainer Rod (2)	45-102868-03	45-102868-03	45-102868-03	45-102868-03	45-102868-03	
2		Coil Door	AE-100685-34	AE-100685-34	AE-100685-37	AE-100685-37	AE-100685-34	
		Insulation - Coil Door	68-101577-08	68-101577-08	68-101577-10	68-101577-10	68-101577-08	
3		Top Cover Plate	AE-100686-32	AE-100686-32	AE-100686-32	AE-100686-32	AE-100686-32	
		Insulation - Top Cover Plate	68-101122-02	68-101122-02	68-101122-02	68-101122-02	68-101122-02	
4		Blower Door	AE-100684-32	AE-100684-32	AE-100684-32	AE-100684-32	AE-100684-32	
		Insulation - Blower Door	68-101576-02	68-101576-02	68-101576-02	68-101576-02	68-101576-02	
5		Access Panel	AE-101133-31	AE-101133-31	AE-101133-31	AE-101133-31	AE-101133-31	
		Insulation - Access Panel	68-101644-01	68-101644-01	68-101644-01	68-101644-01	68-101644-01	
		Poron Gasket (Blower & Coil Doors)	68-42246-03	68-42246-03	68-42246-03	68-42246-03	68-42246-03	
6		Drain Pan - Vertical	See RCH Coil Parts List					
7		Drain Pan - Horizontal	See RCH Coil Parts List					
8		Plate - Block Off	AE-100455-01	AE-100455-01	AE-100455-01	AE-100455-01	AE-100455-01	
9		Cabinet Brace	AE-101134-03	AE-101134-03	AE-101134-03	AE-101134-03	AE-101134-03	
10		Middle Brace	AE-101054-02	AE-101054-02	AE-101054-02	AE-101054-02	AE-101054-02	
13a		Heat Barrier	AE-100683-06	AE-100683-06	AE-100683-06	AE-100683-06	AE-100683-06	
13b		Heat Barrier Side (2)	AE-104241-01	AE-104241-01	AE-104241-01	AE-104241-01	AE-104241-01	
		Insulation Retainer Rod (2)	45-102868-03	45-102868-03	45-102868-03	45-102868-03	45-102868-03	
		Duct Flanges (2)	AE-101048-07	AE-101048-07	AE-101048-07	AE-101048-07	AE-101048-07	
		Touch-up Paint - Granite/Steel Gray (Aerosol)	PD523018	PD523018	PD523018	PD523018	PD523018	
		Touch-up Paint - Granite/Steel Gray (Paint Pens)	PD523019	PD523019	PD523019	PD523019	PD523019	

No.	Notes	MODEL	RH1T	RH1T	RH1T	RH1T	RH1T	
		CAPACITY	48	48	48	48	48	
		CABINET SIZE	21	21	21	21	21	
		COIL SIZE/METERING	ST	SP	SP	ST	ST	
		MAJOR SERIES/CONTROLS	AN	AN/BN	AN/BN	AN	AN	
		VOLTAGE/MINOR SERIES	DA	AA	JA	AA	JA	
PANELS, SHEET METAL, MISCELLANEOUS								
1		Cabinet	N/A	N/A	N/A	N/A	N/A	
		Insulation - Cabinet	68-101121-03	68-101121-03	68-101121-03	68-101121-03	68-101121-03	
		Insulation Retainer Rod (2)	45-102868-03	45-102868-03	45-102868-03	45-102868-03	45-102868-03	
2		Coil Door	AE-100685-34	AE-100685-34	AE-100685-34	AE-100685-34	AE-100685-34	
		Insulation - Coil Door	68-101577-08	68-101577-08	68-101577-08	68-101577-08	68-101577-08	
3		Top Cover Plate	AE-100686-32	AE-100686-32	AE-100686-32	AE-100686-32	AE-100686-32	
		Insulation - Top Cover Plate	68-101122-02	68-101122-02	68-101122-02	68-101122-02	68-101122-02	
4		Blower Door	AE-100684-32	AE-100684-32	AE-100684-32	AE-100684-32	AE-100684-32	
		Insulation - Blower Door	68-101576-02	68-101576-02	68-101576-02	68-101576-02	68-101576-02	
5		Access Panel	AE-101133-31	AE-101133-31	AE-101133-31	AE-101133-31	AE-101133-31	
		Insulation - Access Panel	68-101644-01	68-101644-01	68-101644-01	68-101644-01	68-101644-01	
		Poron Gasket (Blower & Coil Doors)	68-42246-03	68-42246-03	68-42246-03	68-42246-03	68-42246-03	
6		Drain Pan - Vertical	See RCH Coil Parts List					
7		Drain Pan - Horizontal	See RCH Coil Parts List					
8		Plate - Block Off	AE-100455-01	AE-100455-01	AE-100455-01	AE-100455-01	AE-100455-01	
9		Cabinet Brace	AE-101134-03	AE-101134-03	AE-101134-03	AE-101134-03	AE-101134-03	
10		Middle Brace	AE-101054-02	AE-101054-02	AE-101054-02	AE-101054-02	AE-101054-02	
13a		Heat Barrier	AE-100683-06	AE-100683-06	AE-100683-06	AE-100683-06	AE-100683-06	
13b		Heat Barrier Side (2)	AE-104241-01	AE-104241-01	AE-104241-01	AE-104241-01	AE-104241-01	
		Insulation Retainer Rod (2)	45-102868-03	45-102868-03	45-102868-03	45-102868-03	45-102868-03	
		Duct Flanges (2)	AE-101048-07	AE-101048-07	AE-101048-07	AE-101048-07	AE-101048-07	
		Touch-up Paint - Granite/Steel Gray (Aerosol)	PD523018	PD523018	PD523018	PD523018	PD523018	
		Touch-up Paint - Granite/Steel Gray (Paint Pens)	PD523019	PD523019	PD523019	PD523019	PD523019	

No.	Notes	MODEL	RH1T	RH1T	RH1T	RH1T	RH1T	
		CAPACITY	48	48	48	48	48	
		CABINET SIZE	21	21	24	24	24	
		COIL SIZE/METERING	MT	MT	ST	ST	ST	
		MAJOR SERIES/CONTROLS	AN	AN	AN	AN	AN	
		VOLTAGE/MINOR SERIES	AA	JA	AA	JA	DA	
PANELS, SHEET METAL, MISCELLANEOUS								
1		Cabinet	N/A	N/A	N/A	N/A	N/A	
		Insulation - Cabinet	68-101121-15	68-101121-15	68-101121-04	68-101121-04	68-101121-04	
		Insulation Retainer Rod (2)	45-102868-03	45-102868-03	45-102868-04	45-102868-04	45-102868-04	
2		Coil Door	AE-100685-37	AE-100685-37	AE-100685-36	AE-100685-36	AE-100685-36	
		Insulation - Coil Door	68-101577-10	68-101577-10	68-101577-09	68-101577-09	68-101577-09	
3		Top Cover Plate	AE-100686-32	AE-100686-32	AE-100686-33	AE-100686-33	AE-100686-33	
		Insulation - Top Cover Plate	68-101122-02	68-101122-02	68-101122-03	68-101122-03	68-101122-03	
4		Blower Door	AE-100684-32	AE-100684-32	AE-100684-33	AE-100684-33	AE-100684-33	
		Insulation - Blower Door	68-101576-02	68-101576-02	68-101576-03	68-101576-03	68-101576-03	
5		Access Panel	AE-101133-31	AE-101133-31	AE-101133-31	AE-101133-31	AE-101133-31	
		Insulation - Access Panel	68-101644-01	68-101644-01	68-101644-01	68-101644-01	68-101644-01	
		Poron Gasket (Blower & Coil Doors)	68-42246-03	68-42246-03	68-42246-03	68-42246-03	68-42246-03	
6		Drain Pan - Vertical	See RCH Coil Parts List					
7		Drain Pan - Horizontal	See RCH Coil Parts List					
8		Plate - Block Off	AE-100455-01	AE-100455-01	AE-100455-01	AE-100455-01	AE-100455-01	
9		Cabinet Brace	AE-101134-03	AE-101134-03	AE-101134-04	AE-101134-04	AE-101134-04	
10		Middle Brace	AE-101054-02	AE-101054-02	AE-101054-03	AE-101054-03	AE-101054-03	
13a		Heat Barrier	AE-100683-06	AE-100683-06	AE-100683-08	AE-100683-08	AE-100683-08	
13b		Heat Barrier Side (2)	AE-104241-01	AE-104241-01	AE-104241-01	AE-104241-01	AE-104241-01	
		Insulation Retainer Rod (2)	45-102868-03	45-102868-03	45-102868-04	45-102868-04	45-102868-04	
		Duct Flanges (2)	AE-101048-07	AE-101048-07	AE-101048-07	AE-101048-07	AE-101048-07	
		Touch-up Paint - Granite/Steel Gray (Aerosol)	PD523018	PD523018	PD523018	PD523018	PD523018	
		Touch-up Paint - Granite/Steel Gray (Paint Pens)	PD523019	PD523019	PD523019	PD523019	PD523019	

No.	Notes	MODEL	RH1T	RH1T	RH1T	RH1T	RH1T	
		CAPACITY	60	60	60	60	60	
		CABINET SIZE	21	21	21	24	24	
		COIL SIZE/METERING	ST	ST	ST	ST	ST	
		MAJOR SERIES/CONTROLS	AN	AN	AN	AN	AN	
		VOLTAGE/MINOR SERIES	AA	JA	DA	AA	DA	
PANELS, SHEET METAL, MISCELLANEOUS								
1		Cabinet	N/A	N/A	N/A	N/A	N/A	
		Insulation - Cabinet	68-101121-15	68-101121-15	68-101121-15	68-101121-04	68-101121-04	
		Insulation Retainer Rod (2)	45-102868-03	45-102868-03	45-102868-03	45-102868-04	45-102868-04	
2		Coil Door	AE-100685-37	AE-100685-37	AE-100685-37	AE-100685-36	AE-100685-36	
		Insulation - Coil Door	68-101577-10	68-101577-10	68-101577-10	68-101577-09	68-101577-09	
3		Top Cover Plate	AE-100686-32	AE-100686-32	AE-100686-32	AE-100686-33	AE-100686-33	
		Insulation - Top Cover Plate	68-101122-02	68-101122-02	68-101122-02	68-101122-03	68-101122-03	
4		Blower Door	AE-100684-32	AE-100684-32	AE-100684-32	AE-100684-33	AE-100684-33	
		Insulation - Blower Door	68-101576-02	68-101576-02	68-101576-02	68-101576-03	68-101576-03	
5		Access Panel	AE-101133-31	AE-101133-31	AE-101133-31	AE-101133-31	AE-101133-31	
		Insulation - Access Panel	68-101644-01	68-101644-01	68-101644-01	68-101644-01	68-101644-01	
		Poron Gasket (Blower & Coil Doors)	68-42246-03	68-42246-03	68-42246-03	68-42246-03	68-42246-03	
6		Drain Pan - Vertical	See RCH Coil Parts List					
7		Drain Pan - Horizontal	See RCH Coil Parts List					
8		Plate - Block Off	AE-100455-01	AE-100455-01	AE-100455-01	AE-100455-01	AE-100455-01	
9		Cabinet Brace	AE-101134-03	AE-101134-03	AE-101134-03	AE-101134-04	AE-101134-04	
10		Middle Brace	AE-101054-02	AE-101054-02	AE-101054-02	AE-101054-03	AE-101054-03	
13a		Heat Barrier	AE-100683-06	AE-100683-06	AE-100683-06	AE-100683-08	AE-100683-08	
13b		Heat Barrier Side (2)	AE-104241-01	AE-104241-01	AE-104241-01	AE-104241-01	AE-104241-01	
		Insulation Retainer Rod (2)	45-102868-03	45-102868-03	45-102868-03	45-102868-04	45-102868-04	
		Duct Flanges (2)	AE-101048-07	AE-101048-07	AE-101048-07	AE-101048-07	AE-101048-07	
		Touch-up Paint - Granite/Steel Gray (Aerosol)	PD523018	PD523018	PD523018	PD523018	PD523018	
		Touch-up Paint - Granite/Steel Gray (Paint Pens)	PD523019	PD523019	PD523019	PD523019	PD523019	

No.	Notes	MODEL	RH1T				
		CAPACITY	60				
		CABINET SIZE	24				
		COIL SIZE/METERING	ST				
		MAJOR SERIES/CONTROLS	AN				
		VOLTAGE/MINOR SERIES	JA				
PANELS, SHEET METAL, MISCELLANEOUS							
1		Cabinet	N/A				
		Insulation - Cabinet	68-101121-04				
		Insulation Retainer Rod (2)	45-102868-04				
2		Coil Door	AE-100685-36				
		Insulation - Coil Door	68-101577-09				
3		Top Cover Plate	AE-100686-33				
		Insulation - Top Cover Plate	68-101122-03				
4		Blower Door	AE-100684-33				
		Insulation - Blower Door	68-101576-03				
5		Access Panel	AE-101133-31				
		Insulation - Access Panel	68-101644-01				
		Poron Gasket (Blower & Coil Doors)	68-42246-03				
6		Drain Pan - Vertical				See RCH Coil Parts List	
7		Drain Pan - Horizontal				See RCH Coil Parts List	
8		Plate - Block Off	AE-100455-01				
9		Cabinet Brace	AE-101134-04				
10		Middle Brace	AE-101054-03				
13a		Heat Barrier	AE-100683-08				
13b		Heat Barrier Side (2)	AE-104241-01				
		Insulation Retainer Rod (2)	45-102868-04				
		Duct Flanges (2)	AE-101048-07				
		Touch-up Paint - Granite/Steel Gray (Aerosol)	PD523018				
		Touch-up Paint - Granite/Steel Gray (Paint Pens)	PD523019				

No.	Notes	MODEL	RH1T	RH1T	RH1T	RH1T	RH1T
		CAPACITY	24	24	24	24	36
		CABINET SIZE	17	17	17	17	17
		COIL SIZE/METERING	SP	SP	ST	ST	SP
		MAJOR SERIES/CONTROLS	AN/BN	AN/BN	AN	AN	AN/BN
		VOLTAGE/MINOR SERIES	AA	JA	AA	JA	AA
ELECTRICAL GROUP							
17	Stk	Transformer	46-101944-01	46-101905-01	46-101944-01	46-101905-01	46-101944-01
18	Stk	Control Board	47-102077-05	47-102077-05	47-102077-05	47-102077-05	47-102077-05
		Wiring Harness - 6 Pin Molex to 6 stripped wires (For T-Stat)	45-101891-01	45-101891-01	45-101891-01	45-101891-01	45-101891-01
		Wiring Harness - 1 strip lead and 1 connector to single connector (Control Transformer to Blower Motor to Terminal Block - Black Wires)	45-24258-18	45-24258-18	45-24258-18	45-24258-18	45-24258-18
		Wiring Harness - 1 strip lead and 1 connector to single connector (Control Transformer to Blower Motor and Terminal Block)	45-24258-24	45-24258-22	45-24258-24	45-24258-22	45-24258-24
11		Terminal Block	45-23222-02	45-23222-02	45-23222-02	45-23222-02	45-23222-02

No.	Notes	MODEL	RH1T	RH1T	RH1T	RH1T	RH1T
		CAPACITY	36	36	36	36	36
		CABINET SIZE	17	17	17	17	21
		COIL SIZE/METERING	SP	ST	ST	ST	MT
		MAJOR SERIES/CONTROLS	AN/BN	AN	AN	AN	AN
		VOLTAGE/MINOR SERIES	JA	AA	JA	DA	AA
ELECTRICAL GROUP							
17	Stk	Transformer	46-101905-01	46-101944-01	46-101905-01	46-101946-01	46-101944-01
18	Stk	Control Board	47-102077-05	47-102077-05	47-102077-05	47-102077-05	47-102077-05
		Wiring Harness - 6 Pin Molex to 6 stripped wires (For T-Stat)	45-101891-01	45-101891-01	45-101891-01	45-101891-01	45-101891-01
		Wiring Harness - 1 strip lead and 1 connector to single connector (Control Transformer to Blower Motor to Terminal Block - Black Wires)	45-24258-18	45-24258-18	45-24258-18	45-24258-18	45-24258-18
		Wiring Harness - 1 strip lead and 1 connector to single connector (Control Transformer to Blower Motor and Terminal Block)	45-24258-22	45-24258-24	45-24258-22	45-24258-22	45-24258-24
11		Terminal Block	45-23222-02	45-23222-02	45-23222-02	45-23222-02	45-23222-02

No.	Notes	MODEL	RH1T	RH1T	RH1T	RH1T	RH1T
		CAPACITY	36	36	36	36	48
		CABINET SIZE	21	21	21	21	21
		COIL SIZE/METERING	MT	HT	HT	MT	ST
		MAJOR SERIES/CONTROLS	AN	AN	AN	AN	AN
		VOLTAGE/MINOR SERIES	JA	AA	JA	DA	DA
ELECTRICAL GROUP							
17	Stk	Transformer	46-101905-01	46-101944-01	46-101905-01	46-101946-01	46-101946-01
18	Stk	Control Board	47-102077-05	47-102077-05	47-102077-05	47-102077-05	47-102077-05
		Wiring Harness - 6 Pin Molex to 6 stripped wires (For T-Stat)	45-101891-01	45-101891-01	45-101891-01	45-101891-01	45-101891-01
		Wiring Harness - 1 strip lead and 1 connector to single connector (Control Transformer to Blower Motor to Terminal Block - Black Wires)	45-24258-18	45-24258-18	45-24258-18	45-24258-18	45-24258-18
		Wiring Harness - 1 strip lead and 1 connector to single connector (Control Transformer to Blower Motor and Terminal Block)	45-24258-22	45-24258-24	45-24258-22	45-24258-22	45-24258-22
11		Terminal Block	45-23222-02	45-23222-02	45-23222-02	45-23222-02	45-23222-02

No.	Notes	MODEL	RH1T	RH1T	RH1T	RH1T	RH1T
		CAPACITY	48	48	48	48	48
		CABINET SIZE	21	21	21	21	21
		COIL SIZE/METERING	SP	SP	ST	ST	MT
		MAJOR SERIES/CONTROLS	AN/BN	AN/BN	AN	AN	AN
		VOLTAGE/MINOR SERIES	AA	JA	AA	JA	AA
ELECTRICAL GROUP							
17	Stk	Transformer	46-101944-01	46-101905-01	46-101944-01	46-101905-01	46-101944-01
18	Stk	Control Board	47-102077-05	47-102077-05	47-102077-05	47-102077-05	47-102077-05
		Wiring Harness - 6 Pin Molex to 6 stripped wires (For T-Stat)	45-101891-01	45-101891-01	45-101891-01	45-101891-01	45-101891-01
		Wiring Harness - 1 strip lead and 1 connector to single connector (Control Transformer to Blower Motor to Terminal Block - Black Wires)	45-24258-18	45-24258-18	45-24258-18	45-24258-18	45-24258-18
		Wiring Harness - 1 strip lead and 1 connector to single connector (Control Transformer to Blower Motor and Terminal Block)	45-24258-24	45-24258-22	45-24258-24	45-24258-22	45-24258-24
11		Terminal Block	45-23222-02	45-23222-02	45-23222-02	45-23222-02	45-23222-02

No.	Notes	MODEL	RH1T	RH1T	RH1T	RH1T	RH1T
		CAPACITY	48	48	48	48	60
		CABINET SIZE	21	24	24	24	21
		COIL SIZE/METERING	MT	ST	ST	ST	ST
		MAJOR SERIES/CONTROLS	AN	AN	AN	AN	AN
		VOLTAGE/MINOR SERIES	JA	AA	JA	DA	AA
ELECTRICAL GROUP							
17	Stk	Transformer	46-101905-01	46-101944-01	46-101905-01	46-101946-01	46-101944-01
18	Stk	Control Board	47-102077-05	47-102077-05	47-102077-05	47-102077-05	47-102077-05
		Wiring Harness - 6 Pin Molex to 6 stripped wires (For T-Stat)	45-101891-01	45-101891-01	45-101891-01	45-101891-01	45-101891-01
		Wiring Harness - 1 strip lead and 1 connector to single connector (Control Transformer to Blower Motor to Terminal Block - Black Wires)	45-24258-18	45-24258-18	45-24258-18	45-24258-18	45-24258-18
		Wiring Harness - 1 strip lead and 1 connector to single connector (Control Transformer to Blower Motor and Terminal Block)	45-24258-22	45-24258-24	45-24258-22	45-24258-22	45-24258-24
11		Terminal Block	45-23222-02	45-23222-02	45-23222-02	45-23222-02	45-23222-02

No.	Notes	MODEL	RH1T	RH1T	RH1T	RH1T	RH1T
		CAPACITY	60	60	60	60	60
		CABINET SIZE	21	21	24	24	24
		COIL SIZE/METERING	ST	ST	ST	ST	ST
		MAJOR SERIES/CONTROLS	AN	AN	AN	AN	AN
		VOLTAGE/MINOR SERIES	JA	DA	AA	DA	JA
ELECTRICAL GROUP							
17	Stk	Transformer	46-101905-01	46-101946-01	46-101944-01	46-101946-01	46-101905-01
18	Stk	Control Board	47-102077-05	47-102077-05	47-102077-05	47-102077-05	47-102077-05
		Wiring Harness - 6 Pin Molex to 6 stripped wires (For T-Stat)	45-101891-01	45-101891-01	45-101891-01	45-101891-01	45-101891-01
		Wiring Harness - 1 strip lead and 1 connector to single connector (Control Transformer to Blower Motor to Terminal Block - Black Wires)	45-24258-18	45-24258-18	45-24258-18	45-24258-18	45-24258-18
		Wiring Harness - 1 strip lead and 1 connector to single connector (Control Transformer to Blower Motor and Terminal Block)	45-24258-22	45-24258-22	45-24258-24	45-24258-22	45-24258-22
11		Terminal Block	45-23222-02	45-23222-02	45-23222-02	45-23222-02	45-23222-02

No.	Notes	MODEL	RH1T				
		CAPACITY	36				
		CABINET SIZE	17				
		COIL SIZE/METERING	SE				
		MAJOR SERIES/CONTROLS	AN				
		VOLTAGE/MINOR SERIES	JA				
ELECTRICAL GROUP							
17	Stk	Transformer	46-101905-01				
18	Stk	Control Board	47-102077-05				
		Control Board - EXV	47-105369-01				
		Wiring Harness - 6 Pin Molex to 6 stripped wires (For T-Stat) and 4 Pin Plug (To EXV Board)	45-101891-10				
		Wiring Harness - 1 strip lead and 1 connector to single connector (Control Transformer to Blower Motor to Terminal Block - Black Wires)	45-24258-18				
		Wiring Harness - 1 strip lead and 1 connector to single connector (Control Transformer to Blower Motor and Terminal Block)	45-24258-22				
11		Terminal Block	45-23222-02				
		Wiring Harness - Pressure Transducer	45-104130-03				
		Sensor/Clip Assembly (Thermistor)	47-102710-16				
		Push Mount Tie (for Memory Card Wire Tie)	64-25340-01				

No.	Notes	MODEL	RH1T	RH1T	RH1T	RH1T	RH1T
		CAPACITY	24	24	24	24	36
		CABINET SIZE	17	17	17	17	17
		COIL SIZE/METERING	SP	SP	ST	ST	SP
		MAJOR SERIES/CONTROLS	AN/BN	AN/BN	AN	AN	AN/BN
		VOLTAGE/MINOR SERIES	AA	JA	AA	JA	AA
BLOWER GROUP							
15	Stk	Blower Assembly (Includes items 16-22)	AS-101930-01	AS-101886-01	AS-101930-06	AS-101886-13	AS-101930-02
16		Mounting Bracket - Control Board	AE-101049-01	AE-101049-01	AE-101049-01	AE-101049-01	AE-101049-01
17		Transformer	See Electrical Group				
18		Control Board	See Electrical Group				
19		Blower Housing w/Wheel	70-101729-01	70-101729-01	70-101729-02	70-101729-02	70-101729-02
	Stk	Blower Wheel	703012	703012	703014	703014	703014
20		Motor Mount - Band	70-19927-04	70-19927-04	70-19927-04	70-19927-04	70-19927-04
21		Motor Mount - Arm (4)	70-19929-10	70-19929-10	70-19929-10	70-19929-10	70-19929-10
22	Stk	Blower Motor	51-104354-01	51-104358-01	51-102171-03	51-104358-09	51-104355-01
23		Mounting Bracket Cover	AE-101797-01	AE-101797-01	AE-101797-01	AE-101797-01	AE-101797-01

No.	Notes	MODEL	RH1T	RH1T	RH1T	RH1T	RH1T
		CAPACITY	36	36	36	36	36
		CABINET SIZE	17	17	17	17	21
		COIL SIZE/METERING	SP	ST	ST	ST	MT
		MAJOR SERIES/CONTROLS	AN/BN	AN	AN	AN	AN
		VOLTAGE/MINOR SERIES	JA	AA	JA	DA	AA
BLOWER GROUP							
15	Stk	Blower Assembly (Includes items 16-22)	AS-101886-02	AS-101930-02	AS-101886-02	AS-101886-26	AS-101930-05
16		Mounting Bracket - Control Board	AE-101049-01	AE-101049-01	AE-101049-01	AE-101049-01	AE-101049-01
17		Transformer	See Electrical Group				
18		Control Board	See Electrical Group				
19		Blower Housing w/Wheel	70-101729-02	70-101729-02	70-101729-02	70-101729-02	70-101729-08
	Stk	Blower Wheel	703014	703014	703014	703014	703023
20		Motor Mount - Band	70-19927-04	70-19927-04	70-19927-04	70-19927-04	70-19927-04
21		Motor Mount - Arm (4)	70-19929-10	70-19929-10	70-19929-10	70-19929-10	70-19929-10
22	Stk	Blower Motor	51-104359-01	51-104355-01	51-104359-01	51-103623-05	51-104355-05
		Power Factor Choke	N/A	N/A	N/A	N/A	46-24256-04
23		Mounting Bracket Cover	AE-101797-01	AE-101797-01	AE-101797-01	AE-101797-01	AE-101797-01

No.	Notes	MODEL	RH1T	RH1T	RH1T	RH1T	RH1T
		CAPACITY	36	36	36	36	48
		CABINET SIZE	21	21	21	21	21
		COIL SIZE/METERING	MT	HT	HT	MT	ST
		MAJOR SERIES/CONTROLS	AN	AN	AN	AN	AN
		VOLTAGE/MINOR SERIES	JA	AA	JA	DA	DA
BLOWER GROUP							
15	Stk	Blower Assembly (Includes items 16-22)	AS-101886-06	AS-101930-07	AS-101886-14	AS-101886-28	AS-101886-25
16		Mounting Bracket - Control Board	AE-101049-01	AE-101049-01	AE-101049-01	AE-101049-01	AE-101049-01
17		Transformer	See Electrical Group				
18		Control Board	See Electrical Group				
19		Blower Housing w/Wheel	70-101729-08	70-101729-08	70-101729-08	70-101729-08	70-101729-08
	Stk	Blower Wheel	703023	703023	703023	703023	703023
20		Motor Mount - Band	70-19927-04	70-19927-04	70-19927-04	70-19927-04	70-19927-04
21		Motor Mount - Arm (4)	70-19929-10	70-19929-10	70-19929-10	70-19929-10	70-19929-10
22	Stk	Blower Motor	51-104359-30	51-104355-07	51-104359-31	51-103623-06	51-103253-09
		Power Factor Choke	N/A	46-24256-04	N/A	N/A	N/A
23		Mounting Bracket Cover	AE-101797-01	AE-101797-01	AE-101797-01	AE-101797-01	AE-101797-01

No.	Notes	MODEL	RH1T	RH1T	RH1T	RH1T	RH1T
		CAPACITY	48	48	48	48	48
		CABINET SIZE	21	21	21	21	21
		COIL SIZE/METERING	SP	SP	ST	ST	MT
		MAJOR SERIES/CONTROLS	AN/BN	AN/BN	AN	AN	AN
		VOLTAGE/MINOR SERIES	AA	JA	AA	JA	AA
BLOWER GROUP							
15	Stk	Blower Assembly (Includes items 16-22)	AS-101930-03	AS-101886-03	AS-101930-03	AS-101886-03	AS-101930-08
16		Mounting Bracket - Control Board	AE-101049-01	AE-101049-01	AE-101049-01	AE-101049-01	AE-101049-01
17		Transformer	See Electrical Group				
18		Control Board	See Electrical Group				
19		Blower Housing w/Wheel	70-101729-08	70-101729-08	70-101729-08	70-101729-08	70-101729-08
	Stk	Blower Wheel	703023	703023	703023	703023	703023
20		Motor Mount - Band	70-19927-04	70-19927-04	70-19927-04	70-19927-04	70-19927-04
21		Motor Mount - Arm (4)	70-19929-10	70-19929-10	70-19929-10	70-19929-10	70-19929-10
22	Stk	Blower Motor	51-104356-01	51-104360-01	51-104356-01	51-104360-01	51-104356-10
		Power Factor Choke	46-24256-04	N/A	46-24256-04	N/A	46-24256-04
23		Mounting Bracket Cover	AE-101797-01	AE-101797-01	AE-101797-01	AE-101797-01	AE-101797-01

No.	Notes	MODEL	RH1T	RH1T	RH1T	RH1T	RH1T
		CAPACITY	48	48	48	48	60
		CABINET SIZE	21	24	24	24	21
		COIL SIZE/METERING	MT	ST	ST	ST	ST
		MAJOR SERIES/CONTROLS	AN	AN	AN	AN	AN
		VOLTAGE/MINOR SERIES	JA	AA	JA	DA	AA
BLOWER GROUP							
15	Stk	Blower Assembly (Includes items 16-22)	AS-101886-15	AS-101930-04	AS-101886-04	AS-101886-27	AS-101930-09
16		Mounting Bracket - Control Board	AE-101049-01	AE-101049-01	AE-101049-01	AE-101049-01	AE-101049-01
17		Transformer	See Electrical Group				
18		Control Board	See Electrical Group				
19		Blower Housing w/Wheel	70-101729-08	70-101729-04	70-101729-04	70-101729-04	70-101729-08
	Stk	Blower Wheel	703023	703015	703015	703015	703023
20		Motor Mount - Band	70-19927-04	70-19927-04	70-19927-04	70-19927-04	70-19927-04
21		Motor Mount - Arm (4)	70-19929-10	70-19929-10	70-19929-10	70-19929-10	70-19929-10
22	Stk	Blower Motor	51-104360-31	51-104356-02	51-104360-02	51-103253-10	51-104356-11
		Power Factor Choke	N/A	46-24256-04	N/A	N/A	46-24256-04
23		Mounting Bracket Cover	AE-101797-01	AE-101797-01	AE-101797-01	AE-101797-01	AE-101797-01

No.	Notes	MODEL	RH1T	RH1T	RH1T	RH1T	RH1T
		CAPACITY	60	60	60	60	60
		CABINET SIZE	21	21	24	24	24
		COIL SIZE/METERING	ST	ST	ST	ST	ST
		MAJOR SERIES/CONTROLS	AN	AN	AN	AN	AN
		VOLTAGE/MINOR SERIES	JA	DA	AA	DA	JA
BLOWER GROUP							
15	Stk	Blower Assembly (Includes items 16-22)	AS-101886-16	AS-101886-29	AS-101930-04	AS-101886-05	AS-101886-04
16		Mounting Bracket - Control Board	AE-101049-01	AE-101049-01	AE-101049-01	AE-101049-01	AE-101049-01
17		Transformer	See Electrical Group				
18		Control Board	See Electrical Group				
19		Blower Housing w/Wheel	70-101729-08	70-101729-08	70-101729-04	70-101729-04	70-101729-04
	Stk	Blower Wheel	703023	703023	703015	703015	703015
20		Motor Mount - Band	70-19927-04	70-19927-04	70-19927-04	70-19927-04	70-19927-04
21		Motor Mount - Arm (4)	70-19929-10	70-19929-10	70-19929-10	70-19929-10	70-19929-10
22	Stk	Blower Motor	51-104360-32	51-103253-11	51-104356-02	51-103253-01	51-104360-02
		Power Factor Choke	N/A	N/A	46-24256-04	N/A	N/A
23		Mounting Bracket Cover	AE-101797-01	AE-101797-01	AE-101797-01	AE-101797-01	AE-101797-01

No.	Notes	MODEL	RH1T				
		CAPACITY	36				
		CABINET SIZE	17				
		COIL SIZE/METERING	SE				
		MAJOR SERIES/CONTROLS	AN				
		VOLTAGE/MINOR SERIES	JA				
BLOWER GROUP							
15	Stk	Blower Assembly (Includes items 16-22)	AS-101886-02				
16		Mounting Bracket - Control Board	AE-101049-01				
17		Transformer				See Electrical Group	
18		Control Board				See Electrical Group	
19		Blower Housing w/Wheel	70-101729-02				
	Stk	Blower Wheel	703014				
20		Motor Mount - Band	70-19927-04				
21		Motor Mount - Arm (4)	70-19929-10				
22	Stk	Blower Motor	51-104359-01				
		Power Factor Choke	N/A				
23		Mounting Bracket Cover	AE-101797-01				

No.	Notes	MODEL	RH1T	RH1T	RH1T	RH1T	RH1T
		CAPACITY	24	36	36	48	48
		CABINET SIZE	17	17	21	21	24
		COIL SIZE/METERING	ST	ST	MT	ST	ST
COIL GROUP (TXV Coil)							
12		Replacement Coil w/TXV	RCH-2417STAV UA	RCH-3617STAV UA	RCH-3621MTAV UA	RCH-4821STAV UA	RCH-4824STAV UA
		Horizontal Adapter Kit	See specified RCH Coil Parts List				
		Drain Pan - Vertical	See specified RCH Coil Parts List				
		TXV	See specified RCH Coil Parts List				

No.	Notes	MODEL	RH1T	RH1T	RH1T	RH1T	RH1T
		CAPACITY	60	36	48	60	36
		CABINET SIZE	24	21	21	21	21
		COIL SIZE/METERING	ST	HT	MT	ST	MT
COIL GROUP (TXV Coil)							
12		Replacement Coil w/TXV	RCH-6024STAV UA	RCH-3621HTAV UA	RCH-4821MTAV UA	RCH-6021STAV UA	RCH-3621MTAV UA
		Horizontal Adapter Kit	See specified RCH Coil Parts List				
		Drain Pan - Vertical	See specified RCH Coil Parts List				
		TXV	See specified RCH Coil Parts List				

No.	Notes	MODEL	RH1T	RH1T	RH1T	RH1T	RH1T
		CAPACITY	24	36	48	24	36
		CABINET SIZE	17	17	21	17	17
		COIL SIZE/METERING	SPA	SPA	SPA	SPB	SPB
COIL GROUP (Piston Coil)							
12		Replacement Coil w/Distributor-Piston Assembly	RCH-2417SPAV UA	RCH-3617SPAV UA	RCH-4821SPAV UA	RCH-2417SPBV UA	RCH-3617SPBV UA
		Horizontal Adapter Kit	See specified RCH Coil Parts List				
		Drain Pan - Vertical	See specified RCH Coil Parts List				
		Flow Check/Distributor Assy	See specified RCH Coil Parts List				

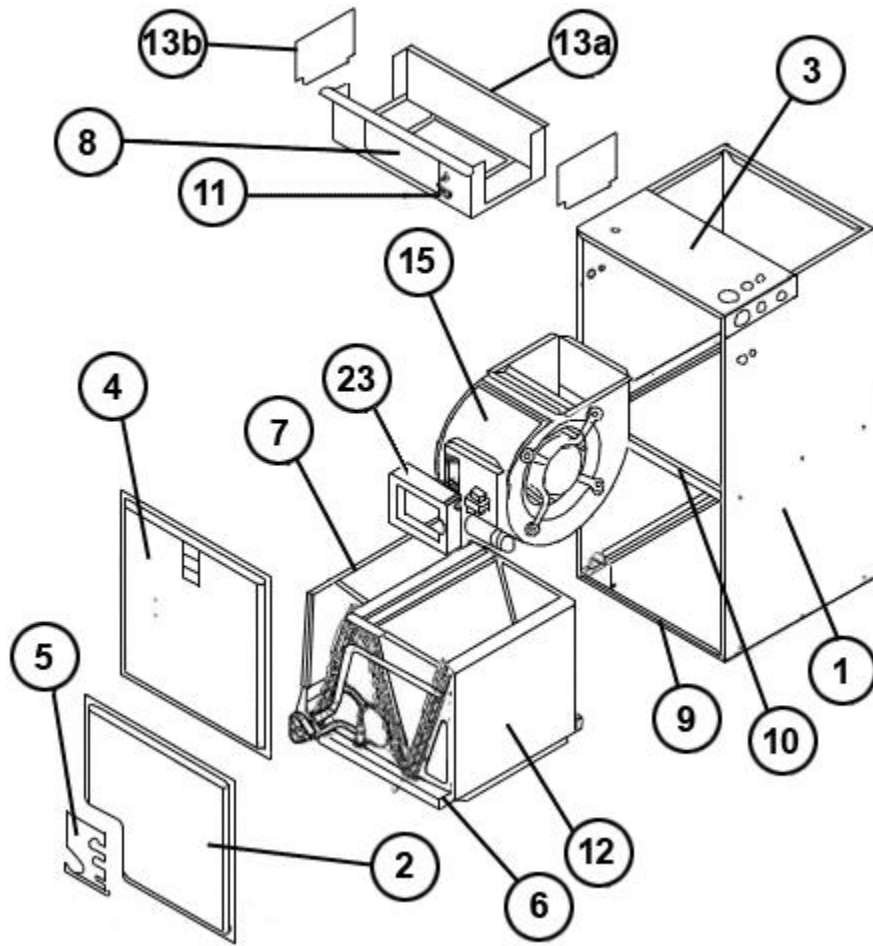
No.	Notes	MODEL	RH1T				
		CAPACITY	48				
		CABINET SIZE	21				
		COIL SIZE/METERING	SPB				
COIL GROUP (Piston Coil)							
12		Replacement Coil w/Distributor-Piston Assembly	RCH-4821SPBV UA				
		Horizontal Adapter Kit	See specified RCH Coil Parts List				
		Drain Pan - Vertical	See specified RCH Coil Parts List				
		Flow Check/Distributor Assy	See specified RCH Coil Parts List				

No.	Notes	MODEL	RH1T				
		CAPACITY	36				
		CABINET SIZE	17				
		COIL SIZE/METERING	SE				
COIL GROUP (EEV Coil)							
12		Replacement Coil w/EEV	RCH-3617SEAV UA				
		Horizontal Adapter Kit	See specified RCH Coil Parts List				
		Drain Pan - Vertical	See specified RCH Coil Parts List				
		EEV	See specified RCH Coil Parts List				

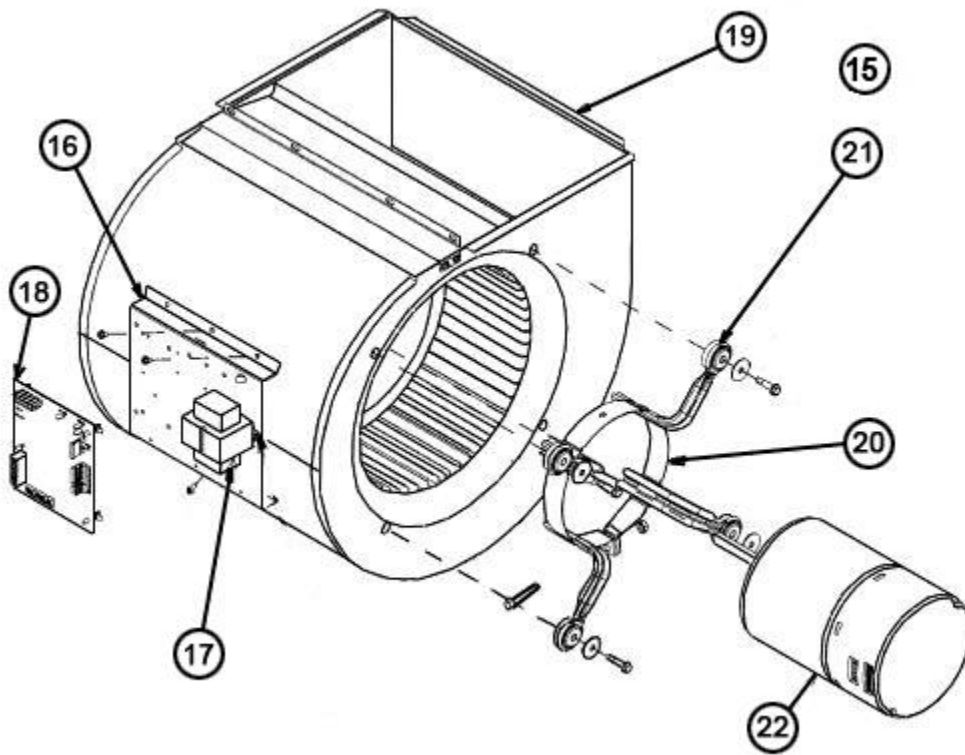
No.	Notes	MODEL CAPACITY CABINET SIZE COIL SIZE/METERING	RH1T	RH1T	RH1T	RH1T	RH1T
			24 17 SP/ST	36 17 SP/ST	36 21 MT	48 21 SP/ST	48 24 ST
HEATER KITS							
		Heater Kit - 3kW/208-240/1	RXBH-1724A03J RXBH-1724B03J RXBH-1724C03J	RXBH-1724A03J RXBH-1724B03J RXBH-1724C03J	N/A	N/A	N/A
		Heater Kit - 5kW/208-240/1	RXBH-1724A05J RXBH-1724B05J RXBH-1724C05J	RXBH-1724A05J RXBH-1724B05J RXBH-1724C05J	RXBH-1724A05J RXBH-1724B05J RXBH-1724C05J	RXBH-1724A05J RXBH-1724B05J RXBH-1724C05J	RXBH-1724A05J RXBH-1724B05J RXBH-1724C05J
		Heater Kit - 7kW/208-240/1	RXBH-1724A07J RXBH-1724B07J RXBH-1724C07J	RXBH-1724A07J RXBH-1724B07J RXBH-1724C07J	RXBH-1724A07J RXBH-1724B07J RXBH-1724C07J	RXBH-1724A07J RXBH-1724B07J RXBH-1724C07J	RXBH-1724A07J RXBH-1724B07J RXBH-1724C07J
		Heater Kit - 10kW/208-240/1	RXBH-1724A10J RXBH-1724B10J RXBH-1724C10J	RXBH-1724A10J RXBH-1724B10J RXBH-1724C10J	RXBH-1724A10J RXBH-1724B10J RXBH-1724C10J	RXBH-1724A10J RXBH-1724B10J RXBH-1724C10J	RXBH-1724A10J RXBH-1724B10J RXBH-1724C10J
		Heater Kit - 13kW/208-240/1	RXBH-1724A13J	RXBH-1724A13J	N/A	N/A	N/A
		Heater Kit - 15kW/208-240/1	N/A	RXBH-1724A15J	RXBH-1724A15J	RXBH-1724A15J	RXBH-1724A15J
		Heater Kit - 18kW/208-240/1	N/A	RXBH-1724A18J	RXBH-1724A18J	RXBH-1724A18J	RXBH-1724A18J
		Heater Kit - 20kW/208-240/1	N/A	N/A	RXBH-24A20J	RXBH-24A20J	RXBH-24A20J
		Heater Kit - 25kW/208-240/1	N/A	N/A	RXBH-24A25J	RXBH-24A25J	RXBH-24A25J
		Heater Kit - 30kW/208-240/1	N/A	N/A	N/A	N/A	N/A
		Heater Kit - 7kW/208-240/3	RXBH-1724A07C	RXBH-1724A07C	RXBH-1724A07C	RXBH-1724A07C	RXBH-1724A07C
		Heater Kit - 10kW/208-240/3	RXBH-1724A10C	RXBH-1724A10C	RXBH-1724A10C	RXBH-1724A10C	RXBH-1724A10C
		Heater Kit - 13kW/208-240/3	RXBH-1724A13C	RXBH-1724A13C	N/A	N/A	N/A
		Heater Kit - 15kW/208-240/3	N/A	RXBH-1724A15C	RXBH-1724A15C	RXBH-1724A15C	RXBH-1724A15C
		Heater Kit - 18kW/208-240/3	N/A	RXBH-1724A18C	RXBH-1724A18C	RXBH-1724A18C	RXBH-1724A18C
		Heater Kit - 20kW/208-240/3	N/A	N/A	RXBH-24A20C	RXBH-24A20C	RXBH-24A20C
		Heater Kit - 25kW/208-240/3	N/A	N/A	RXBH-24A25C	RXBH-24A25C	RXBH-24A25C
		Heater Kit - 30kW/208-240/3	N/A	N/A	N/A	N/A	N/A
		Heater Kit - 20kW/480/3	N/A	N/A	N/A	RXBH-24A20D	RXBH-24A20D
		Heater Kit - 25kW/480/3	N/A	N/A	N/A	RXBH-24A25D	RXBH-24A25D
		Heater Kit - 30kW/480/3	N/A	N/A	N/A	N/A	N/A

No.	Notes	MODEL CAPACITY CABINET SIZE COIL SIZE/METERING	RH1T	RH1T	RH1T	RH1T
			36 21 HT	48 21 MT	60 21 ST	60 24 ST
HEATER KITS						
		Heater Kit - 3kW/208-240/1		N/A	N/A	N/A
		Heater Kit - 5kW/208-240/1		RXBH-1724A05J RXBH-1724B05J RXBH-1724C05J	RXBH-1724A05J RXBH-1724B05J RXBH-1724C05J	RXBH-1724A05J RXBH-1724B05J RXBH-1724C05J
		Heater Kit - 7kW/208-240/1		RXBH-1724A07J RXBH-1724B07J RXBH-1724C07J	RXBH-1724A07J RXBH-1724B07J RXBH-1724C07J	RXBH-1724A07J RXBH-1724B07J RXBH-1724C07J
		Heater Kit - 10kW/208-240/1		RXBH-1724A10J RXBH-1724B10J RXBH-1724C10J	RXBH-1724A10J RXBH-1724B10J RXBH-1724C10J	RXBH-1724A10J RXBH-1724B10J RXBH-1724C10J
		Heater Kit - 13kW/208-240/1		N/A	N/A	N/A
		Heater Kit - 15kW/208-240/1		RXBH-1724A15J	RXBH-1724A15J	RXBH-1724A15J
		Heater Kit - 18kW/208-240/1		RXBH-1724A18J	RXBH-1724A18J	RXBH-1724A18J
		Heater Kit - 20kW/208-240/1		RXBH-24A20J	RXBH-24A20J	RXBH-24A20J
		Heater Kit - 25kW/208-240/1		RXBH-24A25J	RXBH-24A25J	RXBH-24A25J
		Heater Kit - 30kW/208-240/1		N/A	N/A	RXBH-24A30J
		Heater Kit - 7kW/208-240/3		RXBH-1724A07C	RXBH-1724A07C	RXBH-1724A07C
		Heater Kit - 10kW/208-240/3		RXBH-1724A10C	RXBH-1724A10C	RXBH-1724A10C
		Heater Kit - 13kW/208-240/3		N/A	N/A	N/A
		Heater Kit - 15kW/208-240/3		RXBH-1724A15C	RXBH-1724A15C	RXBH-1724A15C
		Heater Kit - 18kW/208-240/3		RXBH-1724A18C	RXBH-1724A18C	RXBH-1724A18C
		Heater Kit - 20kW/208-240/3		RXBH-24A20C	RXBH-24A20C	RXBH-24A20C
		Heater Kit - 25kW/208-240/3		RXBH-24A25C	RXBH-24A25C	RXBH-24A25C
		Heater Kit - 30kW/208-240/3		N/A	N/A	RXBH-24A30C
		Heater Kit - 7kW/480/3		N/A	N/A	RXBH-24A07D
		Heater Kit - 20kW/480/3		RXBH-24A20D	RXBH-24A20D	RXBH-24A20D
		Heater Kit - 25kW/480/3		RXBH-24A25D	RXBH-24A25D	RXBH-24A25D
		Heater Kit - 30kW/480/3		N/A	N/A	RXBH-24A30D

No.	Notes	MODEL CAPACITY CABINET SIZE COIL SIZE/METERING	RH1T 36 17 SE				
HEATER KITS							
		Heater Kit - 3kW/208-240/1	RXBH-1724A03J RXBH-1724B03J RXBH-1724C03J				
		Heater Kit - 5kW/208-240/1	RXBH-1724A05J RXBH-1724B05J RXBH-1724C05J				
		Heater Kit - 7kW/208-240/1	RXBH-1724A07J RXBH-1724B07J RXBH-1724C07J				
		Heater Kit - 10kW/208-240/1	RXBH-1724A10J RXBH-1724B10J RXBH-1724C10J				
		Heater Kit - 13kW/208-240/1	RXBH-1724A13J				
		Heater Kit - 15kW/208-240/1	RXBH-1724A15J				
		Heater Kit - 18kW/208-240/1	RXBH-1724A18J				
		Heater Kit - 7kW/208-240/3	RXBH-1724A07C				
		Heater Kit - 10kW/208-240/3	RXBH-1724A10C				
		Heater Kit - 13kW/208-240/3	RXBH-1724A13C				
		Heater Kit - 15kW/208-240/3	RXBH-1724A15C				
		Heater Kit - 18kW/208-240/3	RXBH-1724A18C				



Exploded View



Blower Assembly

NOTES

Stk It is recommended that stock be maintained for this part.
N/A Not Applicable

DISCLAIMER: This document is intended to provide general replacement parts information to aid qualified service personnel in the repair of these models. The complete Model and Serial Number of the unit under repair should be specified when selecting and ordering replacement parts. Specifications and illustrations are subject to change without notice. Document 92-42800-RH1T supersedes all previous parts lists for these models. See <http://www.rheempartslists.net/92-42800-RH1T> for the latest revision of this document. The manufacturer assumes no obligation for errors or omissions. Service personnel must verify the proper and safe operation of equipment after the replacement of any original components.