



RH1V

Parts List
24-April-2020



*This parts list is current as of the above revision date.
See <http://www.rheempartslists.net/92-42800-RH1V.pdf> for the current revision.*

Air Handlers

Table of Contents

Model Explanation	Page 3
Parts Numbers	
Panels - Miscellaneous	Page 4
Electrical Group	Page 5
Blower Group	Page 6
Coil Parts	Page 7
Heater Kits	Page 8
Drawings/Photographs	
Exploded View	Page 9
Blower Assembly	Page 10
Notes/Disclaimer	Page 11

MODEL NUMBER EXPLANATION

R	H	1	V	2	4	1	7	S	T	A	N	J	A	***
1	2	3	4	5		6		7	8	9	10	11	12	13

- | | |
|---|--|
| <p>(1) BRAND</p> <p>(2) AIR HANDLER</p> <p>(3) STAGE OF AIRFLOW
1 = Single</p> <p>(4) MOTOR TYPE
V = Variable Speed</p> <p>(5) CAPACITY (BTU/HR)
18 = 18,000 BTU/HR
24 = 24,000 BTU/HR
30 = 30,000 BTU/HR
36 = 36,000 BTU/HR
42 = 42,000 BTU/HR
48 = 48,000 BTU/HR
60 = 60,000 BTU/HR</p> <p>(6) WIDTH
17 = 17.5 in. (600 - 1200 CFM)
21 = 21 in. (800 - 1600 CFM)
24 = 24.5 in. (1400 - 1800 CFM)</p> <p>(7) COIL SIZE
S = Standard
M = Medium
H = High</p> | <p>(8) METERING DEVICE
T = TEV
E = EEV
P = Piston</p> <p>(9) MAJOR SERIES
A = First</p> <p>(10) CONTROLS
C = Communicating
N = Non-Communicating</p> <p>(11) VOLTAGE
A = 115/1/60
D = 460/3/60
J = 208-230/1/60
T = 220-240/1/50</p> <p>(12) MINOR SERIES
A = First</p> <p>(13) OPTION CODE
Blank = None</p> |
|---|--|

SERIAL NUMBER EXPLANATION

W	0	7	0	9	9	9	9	9	9
1	2	3	4						

- 1 PRODUCTION LOCATION**
W = Nuevo Laredo (West)
- 2 WEEK OF PRODUCTION**
- 3 YEAR OF PRODUCTION**
- 4 PRODUCTION NUMBER**

No.	Notes	MODEL	RH1V	RH1V	RH1V	RH1V	RH1V	RH1V
		CAPACITY	24	36	36	36	48	48
		CABINET SIZE	17	17	21	21	21	21
		COIL SIZE/METERING	ST	ST	MT	HT	MT	ST
		MAJOR SERIES/CONTROLS	AN	AN	AN	AN	AN	AN
		VOLTAGE/MINOR SERIES	JA	JA	JA	JA	JA	JA
PANELS, SHEET METAL, MISCELLANEOUS								
1		Cabinet	N/A	N/A	N/A	N/A	N/A	N/A
		Insulation - Cabinet	68-101121-01	68-101121-01	68-101121-03	68-101121-15	68-101121-15	68-101121-03
		Insulation Retainer Rod (2)	45-102868-02	45-102868-02	45-102868-03	45-102868-03	45-102868-03	45-102868-03
2		Coil Door	AE-100685-32	AE-100685-32	AE-100685-34	AE-100685-37	AE-100685-37	AE-100685-34
		Insulation - Coil Door	68-101577-06	68-101577-06	68-101577-08	68-101577-10	68-101577-10	68-101577-08
3		Top Cover Plate	AE-100686-31	AE-100686-31	AE-100686-32	AE-100686-32	AE-100686-32	AE-100686-32
		Insulation - Top Cover Plate	68-101122-01	68-101122-01	68-101122-02	68-101122-02	68-101122-02	68-101122-02
4		Blower Door	AE-100684-31	AE-100684-31	AE-100684-32	AE-100684-32	AE-100684-32	AE-100684-32
		Insulation - Blower Door	68-101576-01	68-101576-01	68-101576-02	68-101576-02	68-101576-02	68-101576-02
5		Access Panel	AE-101133-31	AE-101133-31	AE-101133-31	AE-101133-31	AE-101133-31	AE-101133-31
		Insulation - Access Panel	68-101644-01	68-101644-01	68-101644-01	68-101644-01	68-101644-01	68-101644-01
		Poron Gasket (Blower & Coil Doors)	68-42246-03	68-42246-03	68-42246-03	68-42246-03	68-42246-03	68-42246-03
6		Drain Pan - Vertical	See RCH Coil Parts List					
7		Drain Pan - Horizontal	See RCH Coil Parts List					
8		Plate - Block Off	AE-100455-01	AE-100455-01	AE-100455-01	AE-100455-01	AE-100455-01	AE-100455-01
9		Cabinet Brace	AE-101134-02	AE-101134-02	AE-101134-03	AE-101134-03	AE-101134-03	AE-101134-03
10		Middle Brace	AE-101054-01	AE-101054-01	AE-101054-02	AE-101054-02	AE-101054-02	AE-101054-02
13a		Heat Barrier	AE-100683-03	AE-100683-03	AE-100683-06	AE-100683-06	AE-100683-06	AE-100683-06
13b		Heat Barrier Side (2)	AE-104241-01	AE-104241-01	AE-104241-01	AE-104241-01	AE-104241-01	AE-104241-01
		Insulation Retainer Rod (2)	45-102868-02	45-102868-02	45-102868-03	45-102868-03	45-102868-03	45-102868-03
		Duct Flanges (2)	AE-101048-07	AE-101048-07	AE-101048-07	AE-101048-07	AE-101048-07	AE-101048-07
		Touch-up Paint - Granite/Steel Gray (Aerosol)	PD523018	PD523018	PD523018	PD523018	PD523018	PD523018
		Touch-up Paint - Granite/Steel Gray (Paint Pens)	PD523019	PD523019	PD523019	PD523019	PD523019	PD523019

No.	Notes	MODEL	RH1V	RH1V	RH1V			
		CAPACITY	48	60	60			
		CABINET SIZE	24	21	24			
		COIL SIZE/METERING	ST	ST	ST			
		MAJOR SERIES/CONTROLS	AN	AN	AN			
		VOLTAGE/MINOR SERIES	JA	JA	JA			
PANELS, SHEET METAL, MISCELLANEOUS								
1		Cabinet	N/A	N/A	N/A			
		Insulation - Cabinet	68-101121-04	68-101121-15	68-101121-04			
		Insulation Retainer Rod (2)	45-102868-04	45-102868-03	45-102868-04			
2		Coil Door	AE-100685-36	AE-100685-37	AE-100685-36			
		Insulation - Coil Door	68-101577-09	68-101577-10	68-101577-09			
3		Top Cover Plate	AE-100686-33	AE-100686-32	AE-100686-33			
		Insulation - Top Cover Plate	68-101122-03	68-101122-02	68-101122-03			
4		Blower Door	AE-100684-33	AE-100684-32	AE-100684-33			
		Insulation - Blower Door	68-101576-03	68-101576-02	68-101576-03			
5		Access Panel	AE-101133-31	AE-101133-31	AE-101133-31			
		Insulation - Access Panel	68-101644-01	68-101644-01	68-101644-01			
		Poron Gasket (Blower & Coil Doors)	68-42246-03	68-42246-03	68-42246-03			
6		Drain Pan - Vertical	See RCH Coil Parts List					
7		Drain Pan - Horizontal	See RCH Coil Parts List					
8		Plate - Block Off	AE-100455-01	AE-100455-01	AE-100455-01			
9		Cabinet Brace	AE-101134-04	AE-101134-03	AE-101134-04			
10		Middle Brace	AE-101054-03	AE-101054-02	AE-101054-03			
13a		Heat Barrier	AE-100683-08	AE-100683-06	AE-100683-08			
13b		Heat Barrier Side (2)	AE-104241-01	AE-104241-01	AE-104241-01			
		Insulation Retainer Rod (2)	45-102868-04	45-102868-03	45-102868-04			
		Duct Flanges (2)	AE-101048-07	AE-101048-07	AE-101048-07			
		Touch-up Paint - Granite/Steel Gray (Aerosol)	PD523018	PD523018	PD523018			
		Touch-up Paint - Granite/Steel Gray (Paint Pens)	PD523019	PD523019	PD523019			

No. Notes		MODEL	RH1V	RH1V	RH1V
		CAPACITY	24	36	36
		CABINET SIZE	17	17	21
		COIL SIZE/METERING	ST	ST	MT
		MAJOR SERIES/CONTROLS	AN	AN	AN
		VOLTAGE/MINOR SERIES	JA	JA	JA
ELECTRICAL GROUP					
17	Stk	Transformer	46-101905-01	46-101905-01	46-101905-01
18	Stk	Control Board	47-102077-03	47-102077-03	47-102077-03
		Wiring Harness - 9 Pin Molex to 9 stripped wires (For T-Stat)	45-101891-02	45-101891-02	45-101891-02
		Wiring Harness - 16 pin to Indoor Blower Motor	45-24258-14	45-24258-14	45-24258-14
		Wiring Harness - 5 pin to 1 Ring and 2 Straight Terminals	45-24258-16	45-24258-16	45-24258-16
11		Terminal Block	45-23222-02	45-23222-02	45-23222-02

No. Notes		MODEL	RH1V	RH1V	RH1V
		CAPACITY	36	48	48
		CABINET SIZE	21	21	21
		COIL SIZE/METERING	HT	MT	ST
		MAJOR SERIES/CONTROLS	AN	AN	AN
		VOLTAGE/MINOR SERIES	JA	JA	JA
ELECTRICAL GROUP					
17	Stk	Transformer	46-101905-01	46-101905-01	46-101905-01
18	Stk	Control Board	47-102077-03	47-102077-03	47-102077-03
		Wiring Harness - 9 Pin Molex to 9 stripped wires (For T-Stat)	45-101891-02	45-101891-02	45-101891-02
		Wiring Harness - 16 pin to Indoor Blower Motor	45-24258-14	45-24258-14	45-24258-14
		Wiring Harness - 5 pin to 1 Ring and 2 Straight Terminals	45-24258-16	45-24258-16	45-24258-16
11		Terminal Block	45-23222-02	45-23222-02	45-23222-02

No. Notes		MODEL	RH1V	RH1V	RH1V
		CAPACITY	48	60	60
		CABINET SIZE	24	21	24
		COIL SIZE/METERING	ST	ST	ST
		MAJOR SERIES/CONTROLS	AN	AN	AN
		VOLTAGE/MINOR SERIES	JA	JA	JA
ELECTRICAL GROUP					
17	Stk	Transformer	46-101905-01	46-101905-01	46-101905-01
18	Stk	Control Board	47-102077-03	47-102077-03	47-102077-03
		Wiring Harness - 9 Pin Molex to 9 stripped wires (For T-Stat)	45-101891-02	45-101891-02	45-101891-02
		Wiring Harness - 16 pin to Indoor Blower Motor	45-24258-14	45-24258-14	45-24258-14
		Wiring Harness - 5 pin to 1 Ring and 2 Straight Terminals	45-24258-16	45-24258-16	45-24258-16
11		Terminal Block	45-23222-02	45-23222-02	45-23222-02

No.	Notes	MODEL CAPACITY CABINET SIZE COIL SIZE/METERING MAJOR SERIES/CONTROLS VOLTAGE/MINOR SERIES	RH1V	RH1V	RH1V
			24 17 ST AN JA	36 17 ST AN JA	36 21 MT AN JA
BLOWER GROUP					
15	Stk	Blower Assembly (Includes items 16-22)	AS-101885-21	AS-101885-02	AS-101885-19
16		Mounting Bracket - Control Board	AE-101049-01	AE-101049-01	AE-101049-01
17		Transformer	See Electrical Group		
18		Control Board	See Electrical Group		
19		Blower Housing w/Wheel	70-101729-02	70-101729-02	70-101729-08
	Stk	Blower Wheel	703014	703014	703023
20		Motor Mount - Band	70-19927-04	70-19927-04	70-19927-04
21		Motor Mount - Arm (4)	70-19929-10	70-19929-10	70-19929-10
22	Stk	Blower Motor	51-104303-10	51-104304-19	51-104304-52
23		Mounting Bracket Cover	AE-101797-01	AE-101797-01	AE-101797-01

No.	Notes	MODEL CAPACITY CABINET SIZE COIL SIZE/METERING MAJOR SERIES/CONTROLS VOLTAGE/MINOR SERIES	RH1V	RH1V	RH1V
			36 21 HT AN JA	48 21 MT AN JA	48 21 ST AN JA
BLOWER GROUP					
15	Stk	Blower Assembly (Includes items 16-22)	AS-101885-22	AS-101885-23	AS-101885-03
16		Mounting Bracket - Control Board	AE-101049-01	AE-101049-01	AE-101049-01
17		Transformer	See Electrical Group		
18		Control Board	See Electrical Group		
19		Blower Housing w/Wheel	70-101729-08	70-101729-08	70-101729-08
	Stk	Blower Wheel	703023	703023	703023
20		Motor Mount - Band	70-19927-04	70-19927-04	70-19927-04
21		Motor Mount - Arm (4)	70-19929-10	70-19929-10	70-19929-10
22	Stk	Blower Motor	51-104304-53	51-104305-40	51-104305-13
23		Mounting Bracket Cover	AE-101797-01	AE-101797-01	AE-101797-01

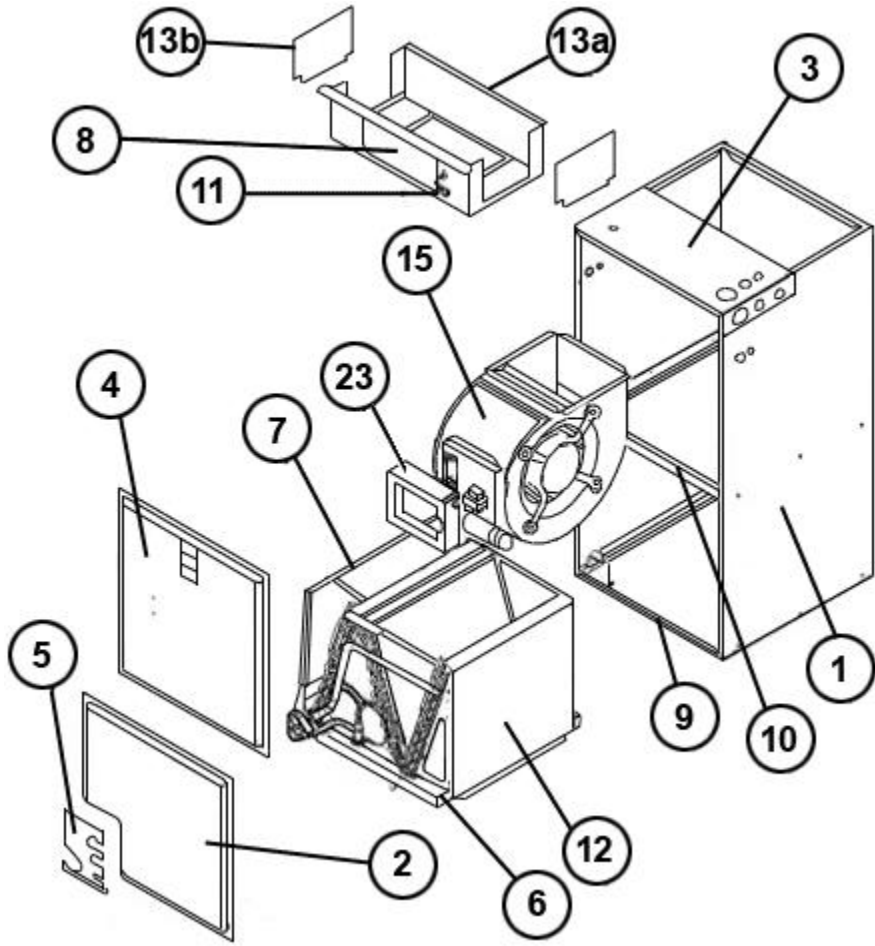
No.	Notes	MODEL CAPACITY CABINET SIZE COIL SIZE/METERING MAJOR SERIES/CONTROLS VOLTAGE/MINOR SERIES	RH1V	RH1V	RH1V
			48 24 ST AN JA	60 21 ST AN JA	60 24 ST AN JA
BLOWER GROUP					
15	Stk	Blower Assembly (Includes items 16-22)	AS-101885-04	AS-101885-24	AS-101885-04
16		Mounting Bracket - Control Board	AE-101049-01	AE-101049-01	AE-101049-01
17		Transformer	See Electrical Group		
18		Control Board	See Electrical Group		
19		Blower Housing w/Wheel	70-101729-04	70-101729-08	70-101729-04
	Stk	Blower Wheel	703015	703023	703015
20		Motor Mount - Band	70-19927-04	70-19927-04	70-19927-04
21		Motor Mount - Arm (4)	70-19929-10	70-19929-10	70-19929-10
22	Stk	Blower Motor	51-104305-14	51-104305-41	51-104305-14
23		Mounting Bracket Cover	AE-101797-01	AE-101797-01	AE-101797-01

No.	Notes	MODEL	RH1V	RH1V	RH1V	RH1V	RH1V	RH1V
		CAPACITY	24	36	36	48	48	60
		CABINET SIZE	17	17	21	21	24	24
		COIL SIZE/METERING	ST	ST	MT	ST	ST	ST
COIL GROUP								
12		Replacement Coil w/TXV	RCH-2417STAVUA	RCH-3617STAVUA	RCH-3621MTAVUA	RCH-4821STAVUA	RCH-4824STAVUA	RCH-6024STAVUA
		Horizontal Adapter Kit	See specified RCH Coil Parts List					
		Drain Pan - Vertical	See specified RCH Coil Parts List					
		TXV	See specified RCH Coil Parts List					

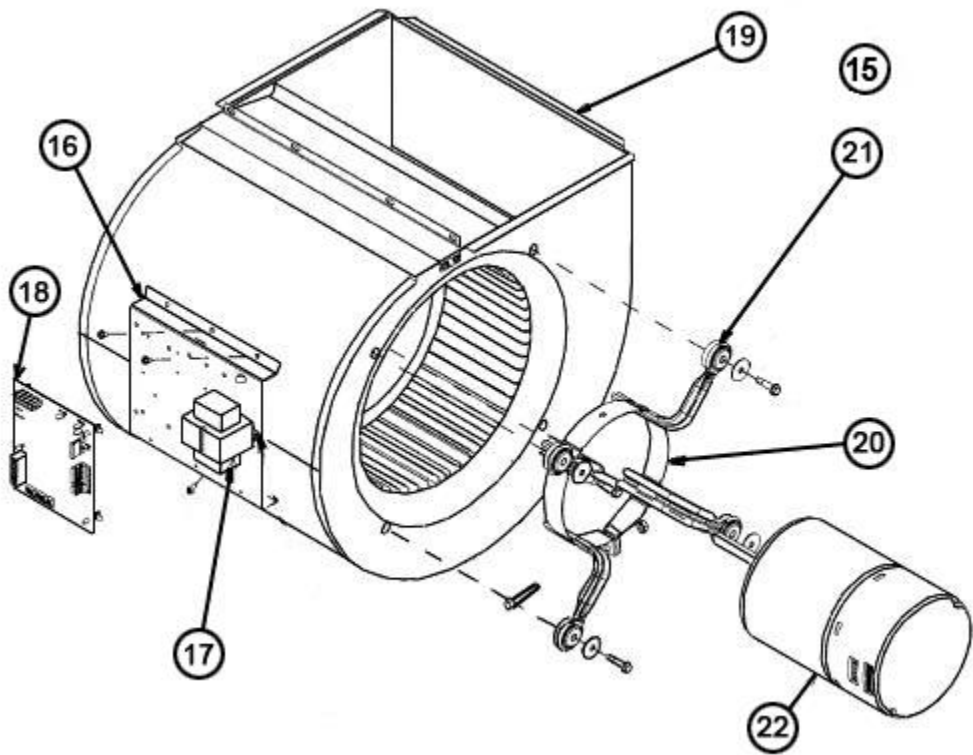
No.	Notes	MODEL	RH1V	RH1V	RH1V			
		CAPACITY	36	48	60			
		CABINET SIZE	21	21	21			
		COIL SIZE/METERING	HT	MT	ST			
COIL GROUP								
12		Replacement Coil w/TXV	RCH-3621HTAVUA	RCH-4821MTAVUA	RCH-6021STAVUA			
		Horizontal Adapter Kit	See specified RCH Coil Parts List					
		Drain Pan - Vertical	See specified RCH Coil Parts List					
		TXV	See specified RCH Coil Parts List					

No.	Notes	MODEL	RH1V	RH1V	RH1V	RH1V	RH1V	RH1V
		CAPACITY	24	36	36	48	48	60
		CABINET SIZE	17	17	21	21	24	24
		COIL SIZE/METERING	ST	ST	MT	ST	ST	ST
HEATER KITS								
		Heater Kit - 3kW/208-240/1	RXBH-1724A03J RXBH-1724B03J RXBH-1724C03J	RXBH-1724A03J RXBH-1724B03J RXBH-1724C03J	N/A	N/A	N/A	N/A
		Heater Kit - 5kW/208-240/1	RXBH-1724A05J RXBH-1724B05J RXBH-1724C05J	RXBH-1724A05J RXBH-1724B05J RXBH-1724C05J	RXBH-1724A05J RXBH-1724B05J RXBH-1724C05J	RXBH-1724A05J RXBH-1724B05J RXBH-1724C05J	RXBH-1724A05J RXBH-1724B05J RXBH-1724C05J	RXBH-1724B05J RXBH-1724C05J
		Heater Kit - 7kW/208-240/1	RXBH-1724A07J RXBH-1724B07J RXBH-1724C07J	RXBH-1724A07J RXBH-1724B07J RXBH-1724C07J	RXBH-1724A07J RXBH-1724B07J RXBH-1724C07J	RXBH-1724A07J RXBH-1724B07J RXBH-1724C07J	RXBH-1724A07J RXBH-1724B07J RXBH-1724C07J	RXBH-1724A07J RXBH-1724B07J RXBH-1724C07J
		Heater Kit - 10kW/208-240/1	RXBH-1724A10J RXBH-1724B10J RXBH-1724C10J	RXBH-1724A10J RXBH-1724B10J RXBH-1724C10J	RXBH-1724A10J RXBH-1724B10J RXBH-1724C10J	RXBH-1724A10J RXBH-1724B10J RXBH-1724C10J	RXBH-1724A10J RXBH-1724B10J RXBH-1724C10J	RXBH-1724B10J RXBH-1724C10J
		Heater Kit - 13kW/208-240/1	RXBH-1724A13J	RXBH-1724A13J	N/A	N/A	N/A	N/A
		Heater Kit - 15kW/208-240/1	N/A	RXBH-1724A15J	RXBH-1724A15J	RXBH-1724A15J	RXBH-1724A15J	RXBH-1724A15J
		Heater Kit - 18kW/208-240/1	N/A	RXBH-1724A18J	RXBH-1724A18J	RXBH-1724A18J	RXBH-1724A18J	RXBH-1724A18J
		Heater Kit - 20kW/208-240/1	N/A	N/A	RXBH-24A20J	RXBH-24A20J	RXBH-24A20J	RXBH-24A20J
		Heater Kit - 25kW/208-240/1	N/A	N/A	RXBH-24A25J	RXBH-24A25J	RXBH-24A25J	RXBH-24A25J
		Heater Kit - 30kW/208-240/1	N/A	N/A	N/A	N/A	N/A	RXBH-24A30J
		Heater Kit - 7kW/208-240/3	RXBH-1724A07C	RXBH-1724A07C	RXBH-1724A07C	RXBH-1724A07C	RXBH-1724A07C	RXBH-1724A07C
		Heater Kit - 10kW/208-240/3	RXBH-1724A10C	RXBH-1724A10C	RXBH-1724A10C	RXBH-1724A10C	RXBH-1724A10C	RXBH-1724A10C
		Heater Kit - 13kW/208-240/3	RXBH-1724A13C	RXBH-1724A13C	N/A	N/A	N/A	N/A
		Heater Kit - 15kW/208-240/3	N/A	RXBH-1724A15C	RXBH-1724A15C	RXBH-1724A15C	RXBH-1724A15C	RXBH-1724A15C
		Heater Kit - 18kW/208-240/3	N/A	RXBH-1724A18C	RXBH-1724A18C	RXBH-1724A18C	RXBH-1724A18C	RXBH-1724A18C
		Heater Kit - 20kW/208-240/3	N/A	N/A	RXBH-24A20C	RXBH-24A20C	RXBH-24A20C	RXBH-24A20C
		Heater Kit - 25kW/208-240/3	N/A	N/A	RXBH-24A25C	RXBH-24A25C	RXBH-24A25C	RXBH-24A25C
		Heater Kit - 30kW/208-240/3	N/A	N/A	N/A	N/A	N/A	RXBH-24A30C

No.	Notes	MODEL	RH1V	RH1V	RH1V			
		CAPACITY	36	48	60			
		CABINET SIZE	21	21	21			
		COIL SIZE/METERING	HT	MT	ST			
HEATER KITS								
		Heater Kit - 3kW/208-240/1	N/A	N/A	N/A			
		Heater Kit - 5kW/208-240/1	RXBH-1724A05J RXBH-1724B05J RXBH-1724C05J	RXBH-1724A05J RXBH-1724B05J RXBH-1724C05J	RXBH-1724A05J RXBH-1724B05J RXBH-1724C05J			
		Heater Kit - 7kW/208-240/1	RXBH-1724A07J RXBH-1724B07J RXBH-1724C07J	RXBH-1724A07J RXBH-1724B07J RXBH-1724C07J	RXBH-1724A07J RXBH-1724B07J RXBH-1724C07J			
		Heater Kit - 10kW/208-240/1	RXBH-1724A10J RXBH-1724B10J RXBH-1724C10J	RXBH-1724A10J RXBH-1724B10J RXBH-1724C10J	RXBH-1724A10J RXBH-1724B10J RXBH-1724C10J			
		Heater Kit - 13kW/208-240/1	N/A	N/A	N/A			
		Heater Kit - 15kW/208-240/1	RXBH-1724A15J	RXBH-1724A15J	RXBH-1724A15J			
		Heater Kit - 18kW/208-240/1	RXBH-1724A18J	RXBH-1724A18J	RXBH-1724A18J			
		Heater Kit - 20kW/208-240/1	RXBH-24A20J	RXBH-24A20J	RXBH-24A20J			
		Heater Kit - 25kW/208-240/1	RXBH-24A25J	RXBH-24A25J	RXBH-24A25J			
		Heater Kit - 30kW/208-240/1	N/A	N/A	N/A			
		Heater Kit - 7kW/208-240/3	RXBH-1724A07C	RXBH-1724A07C	RXBH-1724A07C			
		Heater Kit - 10kW/208-240/3	RXBH-1724A10C	RXBH-1724A10C	RXBH-1724A10C			
		Heater Kit - 13kW/208-240/3	N/A	N/A	N/A			
		Heater Kit - 15kW/208-240/3	RXBH-1724A15C	RXBH-1724A15C	RXBH-1724A15C			
		Heater Kit - 18kW/208-240/3	RXBH-1724A18C	RXBH-1724A18C	RXBH-1724A18C			
		Heater Kit - 20kW/208-240/3	RXBH-24A20C	RXBH-24A20C	RXBH-24A20C			
		Heater Kit - 25kW/208-240/3	RXBH-24A25C	RXBH-24A25C	RXBH-24A25C			
		Heater Kit - 30kW/208-240/3	N/A	N/A	N/A			



Exploded View



Blower Assembly

NOTES

Stk It is recommended that stock be maintained for this part.
N/A Not Applicable

DISCLAIMER: This document is intended to provide general replacement parts information to aid qualified service personnel in the repair of these models. The complete Model and Serial Number of the unit under repair should be specified when selecting and ordering replacement parts. Specifications and illustrations are subject to change without notice. Document 92-42800-RH1V supersedes all previous parts lists for these models. See <http://www.rheempartslists.net/92-42800-RH1V> for the latest revision of this document. The manufacturer assumes no obligation for errors or omissions. Service personnel must verify the proper and safe operation of equipment after the replacement of any original components.