



RHCL

Parts List
28-July-2022



*This parts list is current as of the above revision date.
See <http://www.rheempartslists.net/92-42800-RHCL.pdf> for the current revision.*

Air Handlers - Commercial

Table of Contents

Model Explanation	Page 3
Parts Numbers	
PANELS	Page 4
Blower Group - C Voltage-A	Page 5
Blower Group - C Voltage-A (2)	Page 6
Blower Group - C Voltage-P	Page 7
Blower Group - D Voltage-A	Page 8
Blower Group - D Voltage-A (2)	Page 9
Blower Group - D Voltage-P	Page 10
Coil Parts	Page 11
Drawings/Photographs	
PANELS	Page 12
PANELS-240	Page 13
JUNCTION BOX	Page 14
COIL, TXV	Page 15
FILTER ASSEMBLY	Page 16
BLOWER ASSEMBLY	Page 17
Notes/Disclaimer	Page 18

MODEL NUMBER EXPLANATION

R	H	C	L	A	2	0	9	0	C	A	R
1	2	3	4	5	6	7		8	9	10	

1	TRADEBRAND	7	NOMINAL TONNAGE 090 = 7.5 Ton 120 = 10 Ton 150 = 12.5 Ton 180 = 15 Ton 240 = 20 Ton
2	PRODUCT TYPE H = Air Handler	8	ELECTRICAL DESIGNATION C = 208-230/3/60 D = 460/3/60
3	TYPE C = Commercial Series	9	DESIGN SERIES A = First Design B = DOE 2023 Compliant
4	DESIGN SERIES L = R410A	10	DRIVE PACKAGE R = Standard S = Optional T = Optional U = Optional V = Optional
5	PAIRED OUTDOOR UNIT A = Remote Condensing Unit P = Remote Heat Pump		
6	AIR FLOW STAGE 1 = Single Stage Airflow 2 = 2-Stage Airflow (VFD) V = Variable Stage Airflow		

SERIAL NUMBER EXPLANATION

F	0	8	1	3	9	9	9	9
(1)	(2)		(3)		(4)			

- (1) **PLANT CODE**
F = Fort Smith, AR
- (2) **WEEK OF PRODUCTION**
- (3) **YEAR OF PRODUCTION**
- (4) **PRODUCTION NUMBER**

No.	Notes	MODEL/ OUTDOOR UNIT NOMINAL CAPACITY	RHCL-A 090	RHCL-P 090	RHCL-A 120	RHCL-P 120
PANELS, MISCELLANEOUS PARTS						
1		Floor Pan w/Insulation	AS-90440-01HT	AS-90440-01HT	AS-90440-01HT	AS-90440-15HT
2		Center Post w/Insulation (2)	AS-90440-03HT	AS-90440-03HT	AS-90440-03HT	AS-90440-03HT
3		Corner Post w/Insulation (2)	AS-90440-04HT	AS-90440-04HT	AS-90440-04HT	AS-90440-15HT
4		Duct Flange Outlet	AE-76847-01	AE-76847-01	AE-76847-01	AE-76847-01
5		Drain Pan	See Coil Group			
6		Access Panel w/Insulation (2)	AS-90440-10HT	AS-90440-10HT	AS-90440-10HT	AS-90440-10HT
7		Access Panel w/Insulation (2)	AS-90440-11HT	AS-90440-11HT	AS-90440-11HT	AS-90440-11HT
8		Inlet Cap w/Insulation (2)	AS-90440-12HT	AS-90440-12HT	AS-90440-12HT	AS-90440-12HT
9a		Top Pan Insulation Assembly	AS-78097-01HT	AS-78097-01HT	AS-78097-01HT	AS-78097-01HT
9b		Top Pan Insulation Assembly	AS-78096-01HT	AS-78096-01HT	AS-78096-01HT	AS-78096-01HT
20		Top Filter Channel	AE-90373-01	AE-90373-01	AE-90373-01	N/A
21		Bottom Filter Channel	AE-90374-01	AE-90374-01	AE-90374-01	N/A
22		Filter Rack	AS-90459-01	AS-90459-01	AS-90459-01	N/A
23		Hitch Pin Clip (2)	63-20878-01	63-20878-01	63-20878-01	N/A
23a		Filter Block-Off	AE-90379-01	AE-90379-01	AE-90379-01	N/A
24		Filter Retainer Plate	AE-90377-01	AE-90377-01	AE-90377-01	N/A
25		Filter - Disposable (4)	54-17531-10	54-17531-10	54-17531-10	N/A
35		Junction Box Assembly	AS-90472-07	AS-90472-07	AS-90472-07	AS-90472-07

No.	Notes	MODEL/ OUTDOOR UNIT NOMINAL CAPACITY	RHCL-A 150	RHCL-A 180		RHCL-A 240
PANELS, MISCELLANEOUS PARTS						
1a		Floor Assembly Right w/Insulation	AS-90389-01HT	AS-90389-01HT		AS-90389-01HT
1b		Floor Assembly Left w/Insulation	AS-90389-02HT	AS-90389-02HT		AS-90389-02HT
2		Center Post w/Insulation (2)	AS-90389-04HT	AS-90389-04HT		AS-90389-04HT
3		Corner Post w/Insulation (2)	AS-90389-05HT	AS-90389-05HT		AS-90389-05HT
4		Duct Flange	AE-90196-01	AE-90196-01		AE-90196-01
5		Drain Pan	See Coil Group			
6		Access Panel w/Insulation (2)	AS-90389-12HT	AS-90389-12HT		AS-90389-12HT
7		Access Panel w/Insulation (2)	AS-90389-12HT	AS-90389-12HT		AS-90389-12HT
8		Inlet Cap w/Insulation (2)	AS-90389-13HT	AS-90389-13HT		AS-90389-13HT
9a		Top Pan Front Insulation Assembly	AS-90389-09HT	AS-90389-09HT		AS-90389-09HT
9b		Top Pan Rear Insulation Assembly	AS-90389-10HT	AS-90389-10HT		AS-90389-10HT
9c		Top Pan Center Insulation Assembly	AS-90389-11HT	AS-90389-11HT		AS-90389-11HT
9d		Top Rail Left Insulation Assembly	AS-90389-08HT	AS-90389-08HT		AS-90389-08HT
9e		Top Rail Right Insulation Assembly	AS-90389-08HT	AS-90389-08HT		AS-90389-08HT
20		Top Filter Channel	AS-90416-01	AS-90416-01		AS-90416-01
21		Bottom Filter Channel	AE-90206-01	AE-90206-01		AE-90206-01
22		Center Filter Support	AE-90208-01	AE-90208-01		AE-90208-01
22a		Center Filter Channel	AS-90415-01	AS-90415-01		AS-90415-01
23		Hitch Pin Clip (2)	63-20878-01	63-20878-01		63-20878-01
24		Filter Retainer Plate (2)	AE-90209-01	AE-90209-01		AE-90209-01
25		Filter - Disposable (6)	54-17531-06	54-17531-06		54-17531-06
35		Junction Box Assembly	AS-90472-07	AS-90472-07		AS-90472-07

No.	Notes	MODEL/ OUTDOOR UNIT AIR FLOW/NOMINAL CAPACITY ELECTRICAL DESIGNATION/SERIES/DRIVE PACKAGE	RHCL-A 2090 CAR/CBR	RHCL-A 2090 CAS/CBS	RHCL-A 2090 CAT/CBT
BLOWER GROUP					
26	Stk	Blower Assembly (Includes all items listed below except Blower Plate, Junction Box Assembly, VFD, VFD Bracket)	AS-90444-44	AS-90444-48	AS-90444-49
27		Blower Housing	AS-77539-02	AS-77539-02	AS-77539-02
28		Blower Plate w/Insulation	AS-90440-02HT	AS-90440-02HT	AS-90440-02HT
29	Stk	Bearing (2)	70-41911-01	70-41911-01	70-41911-01
29a	Stk	Blower Wheel	70-41512-01	70-41512-01	70-41512-01
29b		Cut Off	AE-72264-03	AE-72264-03	AE-72264-03
30	Stk	Shaft-Blower	70-41900-02	70-41900-02	70-41900-02
31	Stk	Sheave - Fixed	71-104627-03	71-104627-05	71-104627-04
		Shaft Key	94-42551-08	94-42551-08	94-42551-08
32	Stk	Belt	71-40235-50	71-40235-44	71-40235-42
33		Blower Support (2)	AE-90369-01	AE-90369-01	AE-90369-01
35		Junction Box Assembly (includes items 35a - 35e)	AS-90472-07	AS-90472-07	AS-90472-07
35a		Terminal Block	45-23222-12	45-23222-12	45-23222-12
35b		Relay (3)	42-21571-08	42-21571-08	42-21571-08
35c		Ground Lug	45-19000-01	45-19000-01	45-19000-01
35d		Terminal Block	45-41669-01	45-41669-01	45-41669-01
35e		Control Box Cover	AE-76923-01	AE-76923-01	AE-76923-01
36	Stk	Blower Motor	51-42537-05	51-42537-05	51-42537-06
36a	Stk	Sheave - Variable	71-104625-08	71-104625-01	71-104625-01
		Motor Adjustment Piece	AE-70411-01	AE-70411-01	AE-70411-01
		Motor Mounting Bracket	AE-72344-01	AE-72344-01	AE-72344-01
		Motor Support Piece (with adjustment bolts)	AS-70423-05	AS-70423-05	AS-70423-05
39		Bearing Frame Assembly - Tri-Arm (2)	70-41723-02	70-41723-02	70-41723-02
40		Variable Frequency Drive (VFD)	47-104280-05	47-104280-05	47-104281-04
40a		Bracket - VFD	AE-106596-01	AE-106596-01	AE-106596-01

No.	Notes	MODEL/ OUTDOOR UNIT AIR FLOW/NOMINAL CAPACITY ELECTRICAL DESIGNATION/SERIES/DRIVE PACKAGE	RHCL-A 2120 CAR/CBR	RHCL-A 2120 CAS/CBS	RHCL-A 2120 CAT/CBT
BLOWER GROUP					
26	Stk	Blower Assembly (Includes all items listed below except Blower Plate, Junction Box Assembly, VFD, VFD Bracket)	AS-90444-41	AS-90444-42	AS-90444-43
27		Blower Housing	AS-77539-02	AS-77539-02	AS-77539-02
28		Blower Plate w/Insulation	AS-90440-02HT	AS-90440-02HT	AS-90440-02HT
29	Stk	Bearing (2)	70-41911-01	70-41911-01	70-41911-01
29a	Stk	Blower Wheel	70-41512-01	70-41512-01	70-41512-01
29b		Cut Off	AE-72264-03	AE-72264-03	AE-72264-03
30	Stk	Shaft-Blower	70-41900-02	70-41900-02	70-41900-02
31	Stk	Sheave - Fixed	71-104627-03	71-104627-03	71-104627-03
		Shaft Key	94-42551-08	94-42551-08	94-42551-08
32	Stk	Belt	71-17033-54	71-17033-54	71-17033-54
33		Blower Support (2)	AE-90369-01	AE-90369-01	AE-90369-01
35		Junction Box Assembly (includes items 35a - 35e)	AS-90472-07	AS-90472-07	AS-90472-07
35a		Terminal Block	45-23222-12	45-23222-12	45-23222-12
35b		Relay (3)	42-21571-08	42-21571-08	42-21571-08
35c		Ground Lug	45-19000-01	45-19000-01	45-19000-01
35d		Terminal Block	45-41669-01	45-41669-01	45-41669-01
35e		Control Box Cover	AE-76923-01	AE-76923-01	AE-76923-01
36	Stk	Blower Motor	51-42537-05	51-42537-05	51-42537-06
36a	Stk	Sheave - Variable	71-104625-17	71-104625-09	71-104625-10
		Motor Adjustment Piece	AE-70411-01	AE-70411-01	AE-70411-01
		Motor Mounting Bracket	AE-72344-01	AE-72344-01	AE-72344-01
		Motor Support Piece (with adjustment bolts)	AS-70423-05	AS-70423-05	AS-70423-05
39		Bearing Frame Assembly - Tri-Arm (2)	70-41723-02	70-41723-02	70-41723-02
40		Variable Frequency Drive (VFD)	47-104280-05	47-104280-05	47-104281-04
40a		Bracket - VFD	AE-106596-01	AE-106596-01	AE-106596-01

No.	Notes	MODEL/ OUTDOOR UNIT NOMINAL CAPACITY ELECTRICAL DESIGNATION/SERIES/DRIVE PACKAGE	RHCL-A 2150 CAR/CBR	RHCL-A 2150 CAS/CBS	RHCL-A 2150 CAT/CBT	RHCL-A 2180 CAR/CBR	RHCL-A 2180 CAS/CBS
BLOWER GROUP							
26	Stk	Blower Assembly (Includes all items listed below except Blower Plate, Junction Box Assembly, VFD, VFD Bracket)	AS-90973-01	AS-90973-01	AS-90973-02	AS-90973-01	AS-90973-01
27		Blower Housing	AS-90971-01	AS-90971-01	AS-90971-01	AS-90971-01	AS-90971-01
28		Blower Plate w/Insulation	AS-90389-15H T	AS-90389-15H T	AS-90389-15H T	AS-90389-15H T	AS-90389-15H T
29	Stk	Bearing (2)	70-41854-02	70-41854-02	70-41854-02	70-41854-02	70-41854-02
29a	Stk	Blower Wheel	70-42682-02	70-42682-02	70-42682-02	70-42682-02	70-42682-02
30	Stk	Shaft-Blower	70-41900-06	70-41900-06	70-41900-06	70-41900-06	70-41900-06
31	Stk	Sheave - Fixed	71-104627-02	71-104627-02	71-41901-13	71-104627-02	71-104627-02
		Shaft Key	AE-72654-01	AE-72654-01	AE-72654-01	AE-72654-01	AE-72654-01
32	Stk	Belt	71-40438-24	71-40438-24	71-40438-18	71-40438-24	71-40438-24
33		Blower Support (2)	AE-90858-01	AE-90858-01	AE-90858-01	AE-90858-01	AE-90858-01
35		Junction Box Assembly (includes items 35a - 35e)	AS-90472-07	AS-90472-07	AS-90472-07	AS-90472-07	AS-90472-07
35a		Terminal Block	45-23222-12	45-23222-12	45-23222-12	45-23222-12	45-23222-12
35b		Relay (3)	42-21571-08	42-21571-08	42-21571-08	42-21571-08	42-21571-08
35c		Ground Lug	45-19000-01	45-19000-01	45-19000-01	45-19000-01	45-19000-01
35d		Terminal Block	45-41669-01	45-41669-01	45-41669-01	45-41669-01	45-41669-01
35e		Control Box Cover	AE-76923-01	AE-76923-01	AE-76923-01	AE-76923-01	AE-76923-01
36	Stk	Blower Motor	51-42537-05	51-42537-06	51-102826-06	51-42537-05	51-42537-06
36a	Stk	Sheave - Variable	71-104625-01	71-104625-08	71-100851-11	71-104625-01	71-104625-08
36b		Motor Plate Top	AE-90211-01	AE-90211-01	AE-90211-01	AE-90211-01	AE-90211-01
36c		Motor Plate Bottom	10-71899-01	10-71899-01	10-71899-01	10-71899-01	10-71899-01
36d		Bracket	AE-90407-01	AE-90407-01	AE-90407-01	AE-90407-01	AE-90407-01
39		Bearing Frame Assembly - Tri Arm (2)	70-42284-04	70-42284-04	70-42284-04	70-42284-04	70-42284-04
40		Variable Frequency Drive (VFD)	47-104280-05	47-104281-04	47-104282-04	47-104280-05	47-104281-04
40a		Bracket - VFD	AE-106596-01	AE-106596-01	AE-106596-01	AE-106596-01	AE-106596-01

No.	Notes	MODEL/ OUTDOOR UNIT NOMINAL CAPACITY ELECTRICAL DESIGNATION/SERIES/DRIVE PACKAGE	RHCL-A 2180 CAT/CBT		RHCL-A 2240 CAR/CBR	RHCL-A 2240 CAS/CBS	RHCL-A 2240 CAT/CBT
BLOWER GROUP							
26	Stk	Blower Assembly (Includes all items listed below except Blower Plate, Junction Box Assembly, VFD, VFD Bracket)	AS-90973-02		AS-90974-01	AS-90974-02	AS-90974-03
27		Blower Housing	AS-90971-01		AS-90972-01	AS-90972-01	AS-90972-01
28		Blower Plate w/Insulation	AS-90389-15H T		AS-90389-15H T	AS-90389-15H T	AS-90389-15H T
29	Stk	Bearing (2)	70-41854-02		70-41854-02	70-41854-02	70-41854-02
29a	Stk	Blower Wheel	70-42682-02		70-42682-01	70-42682-01	70-42682-01
30	Stk	Shaft-Blower	70-41900-06		70-41900-05	70-41900-05	70-41900-05
31	Stk	Sheave - Fixed	71-41901-13		71-104627-02	71-41901-22	71-41901-19
		Shaft Key	AE-72654-01		AE-72654-01	AE-72654-01	AE-72654-01
32	Stk	Belt	71-40235-45		71-40438-22	71-40438-20 (2)	71-40438-18
33		Blower Support (2)	AE-90858-01		AE-90858-01	AE-90858-01	AE-90858-01
35		Junction Box Assembly (includes items 35a - 35e)	AS-90472-07		AS-90472-07	AS-90472-07	AS-90472-07
35a		Terminal Block	45-23222-12		45-23222-12	45-23222-12	45-23222-12
35b		Relay (3)	42-21571-08		42-21571-08	42-21571-08	42-21571-08
35c		Ground Lug	45-19000-01		45-19000-01	45-19000-01	45-19000-01
35d		Terminal Block	45-41669-01		45-41669-01	45-41669-01	45-41669-01
35e		Control Box Cover	AE-76923-01		AE-76923-01	AE-76923-01	AE-76923-01
36	Stk	Blower Motor	51-102826-06		51-102826-06	51-102826-12	51-102826-12
36a	Stk	Sheave - Variable	71-100851-11		71-104625-11	71-104626-01	71-104626-01
36b		Motor Plate Top	AE-90211-01		AE-90211-01	AE-90211-01	AE-90211-01
36c		Motor Plate Bottom	10-71899-01		10-71899-01	10-71899-01	10-71899-01
36d		Bracket	AE-90407-01		AE-90407-01	AE-90407-01	AE-90407-01
39		Bearing Frame Assembly - Tri Arm (2)	70-42284-04		70-42284-04	70-42284-04	70-42284-04
40		Variable Frequency Drive (VFD)	47-104282-04		47-104282-04	47-104283-04	47-104283-04
40a		Bracket - VFD	AE-106596-01		AE-106596-01	AE-106596-01	AE-106596-01

No.	Notes	MODEL/ OUTDOOR UNIT AIR FLOW/NOMINAL CAPACITY ELECTRICAL DESIGNATION/SERIES/DRIVE PACKAGE	RHCL-P 2090 CAR/CBR	RHCL-P 2090 CAS/CBS	RHCL-P 2090 CAT/CBT	RHCL-P 2120 CAR/CBR
BLOWER GROUP						
26	Stk	Blower Assembly (Includes all items listed below except Blower Plate, Junction Box Assembly, VFD, VFD Bracket)	AS-90444-44	AS-90444-48	AS-90444-49	AS-90444-45
27		Blower Housing	AS-77539-02	AS-77539-02	AS-77539-02	AS-77539-02
28		Blower Plate w/Insulation	AS-90440-02HT	AS-90440-02HT	AS-90440-02HT	AS-90440-02HT
29	Stk	Bearing (2)	70-41911-01	70-41911-01	70-41911-01	70-41911-01
29a	Stk	Blower Wheel	70-41512-01	70-41512-01	70-41512-01	70-41512-01
29b		Cut Off	AE-72264-03	AE-72264-03	AE-72264-03	AE-72264-03
30	Stk	Shaft-Blower	70-41900-02	70-41900-02	70-41900-02	70-41900-02
31	Stk	Sheave - Fixed	71-104627-03	71-104627-05	71-104627-04	71-104627-03
		Shaft Key	94-42551-08	94-42551-08	94-42551-08	94-42551-08
32	Stk	Belt	71-40235-50	71-40235-44	71-40235-42	71-17033-54
33		Blower Support (2)	AE-90369-01	AE-90369-01	AE-90369-01	AE-90369-01
35		Junction Box Assembly (includes items 35a - 35e)	AS-90472-07	AS-90472-07	AS-90472-07	AS-90472-07
35a		Terminal Block	45-23222-12	45-23222-12	45-23222-12	45-23222-12
35b		Relay (3)	42-21571-08	42-21571-08	42-21571-08	42-21571-08
35c		Ground Lug	45-19000-01	45-19000-01	45-19000-01	45-19000-01
35d		Terminal Block	45-41669-01	45-41669-01	45-41669-01	45-41669-01
35e		Control Box Cover	AE-76923-01	AE-76923-01	AE-76923-01	AE-76923-01
36	Stk	Blower Motor	51-42537-05	51-42537-05	51-42537-06	51-42537-05
36a	Stk	Sheave - Variable	71-104625-08	71-104625-01	71-104625-01	71-104625-06
		Motor Adjustment Piece	AE-70411-01	AE-70411-01	AE-70411-01	AE-70411-01
		Motor Mounting Bracket	AE-72344-01	AE-72344-01	AE-72344-01	AE-72344-01
		Motor Support Piece (with adjustment bolts)	AS-70423-05	AS-70423-05	AS-70423-05	AS-70423-05
39		Bearing Frame Assembly - Tri-Arm (2)	70-41723-02	70-41723-02	70-41723-02	70-41723-02
40		Variable Frequency Drive (VFD)	47-104280-05	47-104280-05	47-104281-04	47-104280-05
40a		Bracket - VFD	AE-106596-01	AE-106596-01	AE-106596-01	AE-106596-01

No.	Notes	MODEL/ OUTDOOR UNIT AIR FLOW/NOMINAL CAPACITY ELECTRICAL DESIGNATION/SERIES/DRIVE PACKAGE	RHCL-P 2120 CAS/CBS	RHCL-P 2120 CAT/CBT		
BLOWER GROUP						
26	Stk	Blower Assembly (Includes all items listed below except Blower Plate, Junction Box Assembly, VFD, VFD Bracket)	AS-90444-46	AS-90444-47		
27		Blower Housing	AS-77539-02	AS-77539-02		
28		Blower Plate w/Insulation	AS-90440-02HT	AS-90440-02HT		
29	Stk	Bearing (2)	70-41911-01	70-41911-01		
29a	Stk	Blower Wheel	70-41512-01	70-41512-01		
29b		Cut Off	AE-72264-03	AE-72264-03		
30	Stk	Shaft-Blower	70-41900-02	70-41900-02		
31	Stk	Sheave - Fixed	71-104627-05	71-104627-07		
		Shaft Key	94-42551-08	94-42551-08		
32	Stk	Belt	71-40235-44	71-40235-49		
33		Blower Support (2)	AE-90369-01	AE-90369-01		
35		Junction Box Assembly (includes items 35a - 35e)	AS-90472-07	AS-90472-07		
35a		Terminal Block	45-23222-12	45-23222-12		
35b		Relay (3)	42-21571-08	42-21571-08		
35c		Ground Lug	45-19000-01	45-19000-01		
35d		Terminal Block	45-41669-01	45-41669-01		
35e		Control Box Cover	AE-76923-01	AE-76923-01		
36	Stk	Blower Motor	51-42537-06	51-42537-06		
36a	Stk	Sheave - Variable	71-104625-01	71-104625-17		
		Motor Adjustment Piece	AE-70411-01	AE-70411-01		
		Motor Mounting Bracket	AE-72344-01	AE-72344-01		
		Motor Support Piece (with adjustment bolts)	AS-70423-05	AS-70423-05		
39		Bearing Frame Assembly - Tri-Arm (2)	70-41723-02	70-41723-02		
40		Variable Frequency Drive (VFD)	47-104281-04	47-104281-04		
40a		Bracket - VFD	AE-106596-01	AE-106596-01		

No.	Notes	MODEL/ OUTDOOR UNIT AIR FLOW/NOMINAL CAPACITY ELECTRICAL DESIGNATION/SERIES/DRIVE PACKAGE	RHCL-A 2090 DAR/DBR	RHCL-A 2090 DAS/DBS	RHCL-A 2090 DAT/DBT
BLOWER GROUP					
26	Stk	Blower Assembly (Includes all items listed below except Blower Plate, Junction Box Assembly, VFD, VFD Bracket)	AS-90444-44	AS-90444-48	AS-90444-49
27		Blower Housing	AS-77539-02	AS-77539-02	AS-77539-02
28		Blower Plate w/Insulation	AS-90440-02HT	AS-90440-02HT	AS-90440-02HT
29	Stk	Bearing (2)	70-41911-01	70-41911-01	70-41911-01
29a	Stk	Blower Wheel	70-41512-01	70-41512-01	70-41512-01
29b		Cut Off	AE-72264-03	AE-72264-03	AE-72264-03
30	Stk	Shaft-Blower	70-41900-02	70-41900-02	70-41900-02
31	Stk	Sheave - Fixed	71-104627-03	71-104627-05	71-104627-04
		Key Shaft	94-42551-08	94-42551-08	94-42551-08
32	Stk	Belt	71-40235-50	71-40235-44	71-40235-42
33		Blower Support (2)	AE-90369-01	AE-90369-01	AE-90369-01
35		Junction Box Assembly (includes items 35a - 35e)	AS-90472-07	AS-90472-07	AS-90472-07
35a		Terminal Block	45-23222-12	45-23222-12	45-23222-12
35b		Relay (3)	42-21571-08	42-21571-08	42-21571-08
35c		Ground Lug	45-19000-01	45-19000-01	45-19000-01
35d		Terminal Block	45-41669-01	45-41669-01	45-41669-01
35e		Control Box Cover	AE-76923-01	AE-76923-01	AE-76923-01
36	Stk	Blower Motor	51-42537-05	51-42537-05	51-42537-06
36a	Stk	Sheave - Variable	71-104625-08	71-104625-01	71-104625-01
		Motor Adjustment Piece	AE-70411-01	AE-70411-01	AE-70411-01
		Motor Mounting Bracket	AE-72344-01	AE-72344-01	AE-72344-01
		Motor Support Piece (with adjustment bolts)	AS-70423-05	AS-70423-05	AS-70423-05
39		Bearing Frame Assembly - Tri-Arm (2)	70-41723-02	70-41723-02	70-41723-02
40		Variable Frequency Drive (VFD)	47-104285-04	47-104285-04	47-104286-04
40a		Bracket - VFD	AE-106596-01	AE-106596-01	AE-106596-01

No.	Notes	MODEL/ OUTDOOR UNIT AIR FLOW/NOMINAL CAPACITY ELECTRICAL DESIGNATION/SERIES/DRIVE PACKAGE	RHCL-A 2120 DAR/DBR	RHCL-A 2120 DAS/DBS	RHCL-A 2120 DAT/DBT
BLOWER GROUP					
26	Stk	Blower Assembly (Includes all items listed below except Blower Plate, Junction Box Assembly, VFD, VFD Bracket)	AS-90444-41	AS-90444-42	AS-90444-43
27		Blower Housing	AS-77539-02	AS-77539-02	AS-77539-02
28		Blower Plate w/Insulation	AS-90440-02HT	AS-90440-02HT	AS-90440-02HT
29	Stk	Bearing (2)	70-41911-01	70-41911-01	70-41911-01
29a	Stk	Blower Wheel	70-41512-01	70-41512-01	70-41512-01
29b		Cut Off	AE-72264-03	AE-72264-03	AE-72264-03
30	Stk	Shaft-Blower	70-41900-02	70-41900-02	70-41900-02
31	Stk	Sheave - Fixed	71-104627-03	71-104627-03	71-104627-03
		Key Shaft	94-42551-08	94-42551-08	94-42551-08
32	Stk	Belt	71-17033-54	71-17033-54	71-17033-54
33		Blower Support (2)	AE-90369-01	AE-90369-01	AE-90369-01
35		Junction Box Assembly (includes items 35a - 35e)	AS-90472-07	AS-90472-07	AS-90472-07
35a		Terminal Block	45-23222-12	45-23222-12	45-23222-12
35b		Relay (3)	42-21571-08	42-21571-08	42-21571-08
35c		Ground Lug	45-19000-01	45-19000-01	45-19000-01
35d		Terminal Block	45-41669-01	45-41669-01	45-41669-01
35e		Control Box Cover	AE-76923-01	AE-76923-01	AE-76923-01
36	Stk	Blower Motor	51-42537-05	51-42537-05	51-42537-06
36a	Stk	Sheave - Variable	71-104625-17	71-104625-09	71-104625-10
		Motor Adjustment Piece	AE-70411-01	AE-70411-01	AE-70411-01
		Motor Mounting Bracket	AE-72344-01	AE-72344-01	AE-72344-01
		Motor Support Piece (with adjustment bolts)	AS-70423-05	AS-70423-05	AS-70423-05
39		Bearing Frame Assembly - Tri-Arm (2)	70-41723-02	70-41723-02	70-41723-02
40		Variable Frequency Drive (VFD)	47-104285-04	47-104285-04	47-104286-04
40a		Bracket - VFD	AE-106596-01	AE-106596-01	AE-106596-01

No.	Notes	MODEL/ OUTDOOR UNIT NOMINAL CAPACITY ELECTRICAL DESIGNATION/SERIES/DRIVE PACKAGE	RHCL-A 2150 DAR/DBR	RHCL-A 2150 DAS/DBS	RHCL-A 2150 DAT/DBT	RHCL-A 2180 DAR/DBR	RHCL-A 2180 DAS/DBS
BLOWER GROUP							
26	Stk	Blower Assembly (Includes all items listed below except Blower Plate, Junction Box Assembly, VFD, VFD Bracket)	AS-90973-01	AS-90973-01	AS-90973-02	AS-90973-01	AS-90973-01
27		Blower Housing	AS-90971-01	AS-90971-01	AS-90971-01	AS-90971-01	AS-90971-01
28		Blower Plate w/Insulation	AS-90389-15H T	AS-90389-15H T	AS-90389-15H T	AS-90389-15H T	AS-90389-15H T
29	Stk	Bearing (2)	70-41854-02	70-41854-02	70-41854-02	70-41854-02	70-41854-02
29a	Stk	Blower Wheel	70-42682-02	70-42682-02	70-42682-02	70-42682-02	70-42682-02
30	Stk	Shaft-Blower	70-41900-06	70-41900-06	70-41900-06	70-41900-06	70-41900-06
31	Stk	Sheave - Fixed	71-104627-02	71-104627-02	71-41901-13	71-104627-02	71-104627-02
		Shaft Key	AE-72654-01	AE-72654-01	AE-72654-01	AE-72654-01	AE-72654-01
32	Stk	Belt	71-40438-24	71-40438-24	71-40438-24	71-40438-24	71-40438-24
33		Blower Support (2)	AE-90858-01	AE-90858-01	AE-90858-01	AE-90858-01	AE-90858-01
35		Junction Box Assembly (includes items 35a - 35e)	AS-90472-07	AS-90472-07	AS-90472-07	AS-90472-07	AS-90472-07
35a		Terminal Block	45-23222-12	45-23222-12	45-23222-12	45-23222-12	45-23222-12
35b		Relay (3)	42-21571-08	42-21571-08	42-21571-08	42-21571-08	42-21571-08
35c		Ground Lug	45-19000-01	45-19000-01	45-19000-01	45-19000-01	45-19000-01
35d		Terminal Block	45-41669-01	45-41669-01	45-41669-01	45-41669-01	45-41669-01
35e		Control Box Cover	AE-76923-01	AE-76923-01	AE-76923-01	AE-76923-01	AE-76923-01
36	Stk	Blower Motor	51-42537-05	51-42537-06	51-102826-06	51-42537-05	51-42537-06
36a	Stk	Sheave - Variable	71-104625-01	71-104625-08	71-100851-11	71-104625-01	71-104625-08
		Motor Plate Top	AE-90211-01	AE-90211-01	AE-90211-01	AE-90211-01	AE-90211-01
		Motor Plate Bottom	10-71899-01	10-71899-01	10-71899-01	10-71899-01	10-71899-01
		Motor Support Piece (with adjustment bolts)	AE-90407-01	AE-90407-01	AE-90407-01	AE-90407-01	AE-90407-01
39		Bearing Frame Assembly - Tri Arm (2)	70-42284-04	70-42284-04	70-42284-04	70-42284-04	70-42284-04
40		Variable Frequency Drive (VFD)	47-104285-04	47-104286-04	47-104287-04	47-104285-04	47-104286-04
40a		Bracket - VFD	AE-106596-01	AE-106596-01	AE-106596-01	AE-106596-01	AE-106596-01

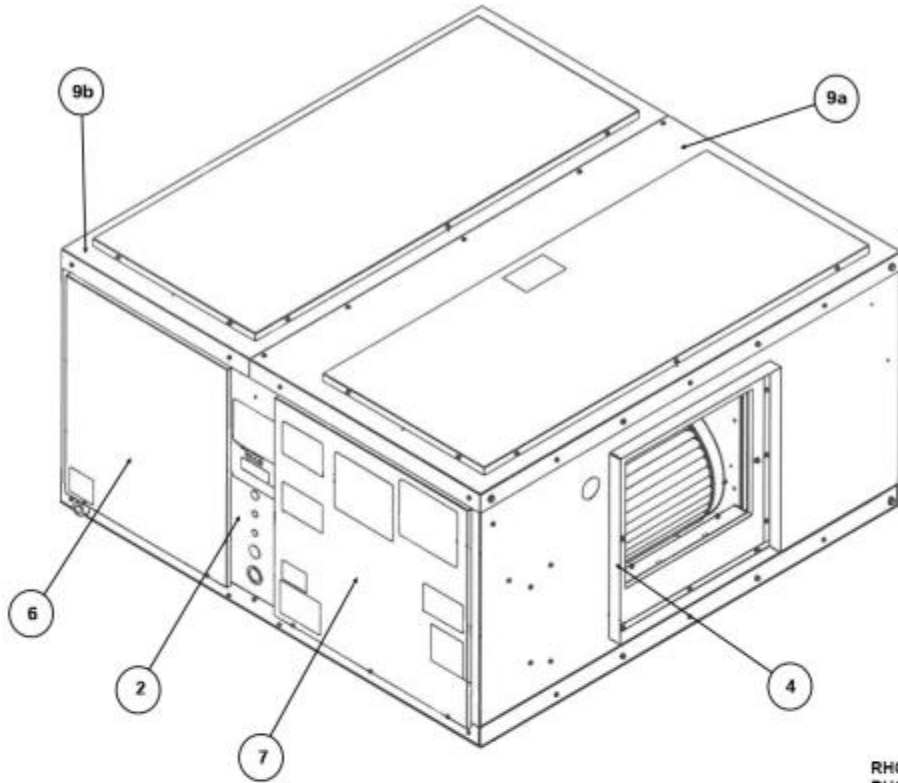
No.	Notes	MODEL/ OUTDOOR UNIT NOMINAL CAPACITY ELECTRICAL DESIGNATION/SERIES/DRIVE PACKAGE	RHCL-A 2180 DAT/DBT		RHCL-A 2240 DAR/DBR	RHCL-A 2240 DAS/DBS	RHCL-A 2240 DAT/DBT
BLOWER GROUP							
26	Stk	Blower Assembly (Includes all items listed below except Blower Plate, Junction Box Assembly, VFD, VFD Bracket)	AS-90973-02		AS-90974-01	AS-90974-02	AS-90974-03
27		Blower Housing	AS-90971-01		AS-90972-01	AS-90972-01	AS-90972-01
28		Blower Plate w/Insulation	AS-90389-15H T		AS-90389-15H T	AS-90389-15H T	AS-90389-15H T
29	Stk	Bearing (2)	70-41854-02		70-41854-02	70-41854-02	70-41854-02
29a	Stk	Blower Wheel	70-42682-02		70-42682-01	70-42682-01	70-42682-01
30	Stk	Shaft-Blower	70-41900-06		70-41900-05	70-41900-05	70-41900-05
31	Stk	Sheave - Fixed	71-41901-13		71-104627-02	71-41901-22	71-41901-19
		Shaft Key	AE-72654-01		AE-72654-01	AE-72654-01	AE-72654-01
32	Stk	Belt	71-40235-45		71-40438-22	71-40438-20	71-40438-18
33		Blower Support (2)	AE-90858-01		AE-90858-01	AE-90858-01	AE-90858-01
35		Junction Box Assembly (includes items 35a - 35e)	AS-90472-07		AS-90472-07	AS-90472-07	AS-90472-07
35a		Terminal Block	45-23222-12		45-23222-12	45-23222-12	45-23222-12
35b		Relay (3)	42-21571-08		42-21571-08	42-21571-08	42-21571-08
35c		Ground Lug	45-19000-01		45-19000-01	45-19000-01	45-19000-01
35d		Terminal Block	45-41669-01		45-41669-01	45-41669-01	45-41669-01
35e		Control Box Cover	AE-76923-01		AE-76923-01	AE-76923-01	AE-76923-01
36	Stk	Blower Motor	51-102826-06		51-102826-06	51-102826-12	51-102826-12
36a	Stk	Sheave - Variable	71-100851-11		71-104625-11	71-104626-01	71-104626-01
		Motor Plate Top	AE-90211-01		AE-90211-01	AE-90211-01	AE-90211-01
		Motor Plate Bottom	10-71899-01		10-71899-01	10-71899-01	10-71899-01
		Motor Support Piece (with adjustment bolts)	AE-90407-01		AE-90407-01	AE-90407-01	AE-90407-01
39		Bearing Frame Assembly - Tri Arm (2)	70-42284-04		70-42284-04	70-42284-04	70-42284-04
40		Variable Frequency Drive (VFD)	47-104287-04		47-104287-04	47-104288-04	47-104288-04
40a		Bracket - VFD	AE-106596-01		AE-106596-01	AE-106596-01	AE-106596-01

No.	Notes	MODEL/ OUTDOOR UNIT AIR FLOW/NOMINAL CAPACITY ELECTRICAL DESIGNATION/SERIES/DRIVE PACKAGE	RHCL-P 2090 DAR/DBR	RHCL-P 2090 DAS/DBS	RHCL-P 2090 DAT/DBT	RHCL-P 2120 DAR/DBR
BLOWER GROUP						
26	Stk	Blower Assembly (Includes all items listed below except Blower Plate, Junction Box Assembly, VFD, VFD Bracket)	AS-90444-44	AS-90444-48	AS-90444-49	AS-90444-45
27		Blower Housing	AS-77539-02	AS-77539-02	AS-77539-02	AS-77539-02
28		Blower Plate w/Insulation	AS-90440-02HT	AS-90440-02HT	AS-90440-02HT	AS-90440-02HT
29	Stk	Bearing (2)	70-41911-01	70-41911-01	70-41911-01	70-41911-01
29a	Stk	Blower Wheel	70-41512-01	70-41512-01	70-41512-01	70-41512-01
29b		Cut Off	AE-72264-03	AE-72264-03	AE-72264-03	AE-72264-03
30	Stk	Shaft-Blower	70-41900-02	70-41900-02	70-41900-02	70-41900-02
31	Stk	Sheave - Fixed	71-104627-03	71-104627-05	71-104627-04	71-104627-03
		Key Shaft	94-42551-08	94-42551-08	94-42551-08	94-42551-08
32	Stk	Belt	71-40235-50	71-40235-44	71-40235-42	71-17033-54
33		Blower Support (2)	AE-90369-01	AE-90369-01	AE-90369-01	AE-90369-01
35		Junction Box Assembly (includes items 35a - 35e)	AS-90472-07	AS-90472-07	AS-90472-07	AS-90472-07
35a		Terminal Block	45-23222-12	45-23222-12	45-23222-12	45-23222-12
35b		Relay (3)	42-21571-08	42-21571-08	42-21571-08	42-21571-08
35c		Ground Lug	45-19000-01	45-19000-01	45-19000-01	45-19000-01
35d		Terminal Block	45-41669-01	45-41669-01	45-41669-01	45-41669-01
35e		Control Box Cover	AE-76923-01	AE-76923-01	AE-76923-01	AE-76923-01
36	Stk	Blower Motor	51-42537-05	51-42537-05	51-42537-06	51-42537-05
36a	Stk	Sheave - Variable	71-104625-08	71-104625-01	71-104625-01	71-104625-06
		Motor Adjustment Piece	AE-70411-01	AE-70411-01	AE-70411-01	AE-70411-01
		Motor Mounting Bracket	AE-72344-01	AE-72344-01	AE-72344-01	AE-72344-01
		Motor Support Piece (with adjustment bolts)	AS-70423-05	AS-70423-05	AS-70423-05	AS-70423-05
39		Bearing Frame Assembly - Tri-Arm (2)	70-41723-02	70-41723-02	70-41723-02	70-41723-02
40		Variable Frequency Drive (VFD)	47-104285-04	47-104285-04	47-104286-04	47-104285-04
40a		Bracket - VFD	AE-106596-01	AE-106596-01	AE-106596-01	AE-106596-01

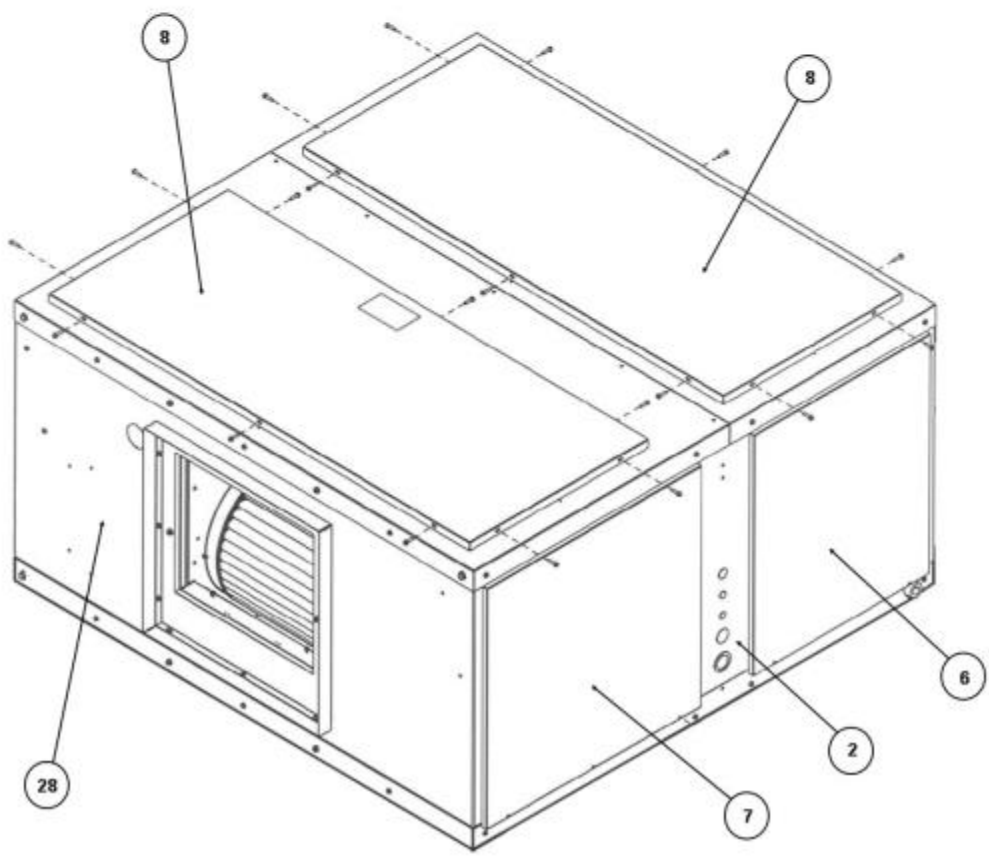
No.	Notes	MODEL/ OUTDOOR UNIT AIR FLOW/NOMINAL CAPACITY ELECTRICAL DESIGNATION/SERIES/DRIVE PACKAGE	RHCL-P 2120 DAS/DBS	RHCL-P 2120 DAT
BLOWER GROUP				
26	Stk	Blower Assembly (Includes all items listed below except Blower Plate, Junction Box Assembly, VFD, VFD Bracket)	AS-90444-46	AS-90444-47
27		Blower Housing	AS-77539-02	AS-77539-02
28		Blower Plate w/Insulation	AS-90440-02HT	AS-90440-02HT
29	Stk	Bearing (2)	70-41911-01	70-41911-01
29a	Stk	Blower Wheel	70-41512-01	70-41512-01
29b		Cut Off	AE-72264-03	AE-72264-03
30	Stk	Shaft-Blower	70-41900-02	70-41900-02
31	Stk	Sheave - Fixed	71-104627-05	71-104627-07
		Key Shaft	94-42551-08	94-42551-08
32	Stk	Belt	71-40235-44	71-40235-49
33		Blower Support (2)	AE-90369-01	AE-90369-01
35		Junction Box Assembly (includes items 35a - 35e)	AS-90472-07	AS-90472-07
35a		Terminal Block	45-23222-12	45-23222-12
35b		Relay (3)	42-21571-08	42-21571-08
35c		Ground Lug	45-19000-01	45-19000-01
35d		Terminal Block	45-41669-01	45-41669-01
35e		Control Box Cover	AE-76923-01	AE-76923-01
36	Stk	Blower Motor	51-42537-06	51-42537-06
36a	Stk	Sheave - Variable	71-104625-01	71-104625-17
		Motor Adjustment Piece	AE-70411-01	AE-70411-01
		Motor Mounting Bracket	AE-72344-01	AE-72344-01
		Motor Support Piece (with adjustment bolts)	AS-70423-05	AS-70423-05
39		Bearing Frame Assembly - Tri-Arm (2)	70-41723-02	70-41723-02
40		Variable Frequency Drive (VFD)	47-104286-04	47-104286-04
40a		Bracket - VFD	AE-106596-01	AE-106596-01

No.	Notes	MODEL/ OUTDOOR UNIT NOMINAL CAPACITY DESIGN SERIES	RHCL-A 090 A/B	RHCL-A 120 A/B	RHCL-A 150 A/B	RHCL-A 180 A/B	RHCL-A 240 A/B
COIL GROUP							
5	Stk	Drain Pan	10-90442-01H T	10-90442-01H T	10-90402-01H T	10-90402-01H T	10-90402-01H T
18	Stk	Evaporator Coil w/TXV	AS-90902-06	AS-90902-06	AS-90902-18	AS-90902-15	AS-90902-16
19	Stk	TXV w/Distributor (2)	61-42662-08	61-42662-08	61-42662-30	61-42662-30	61-42662-28
		Drip Rail	AE-90471-01	AE-90471-01	N/A	N/A	N/A

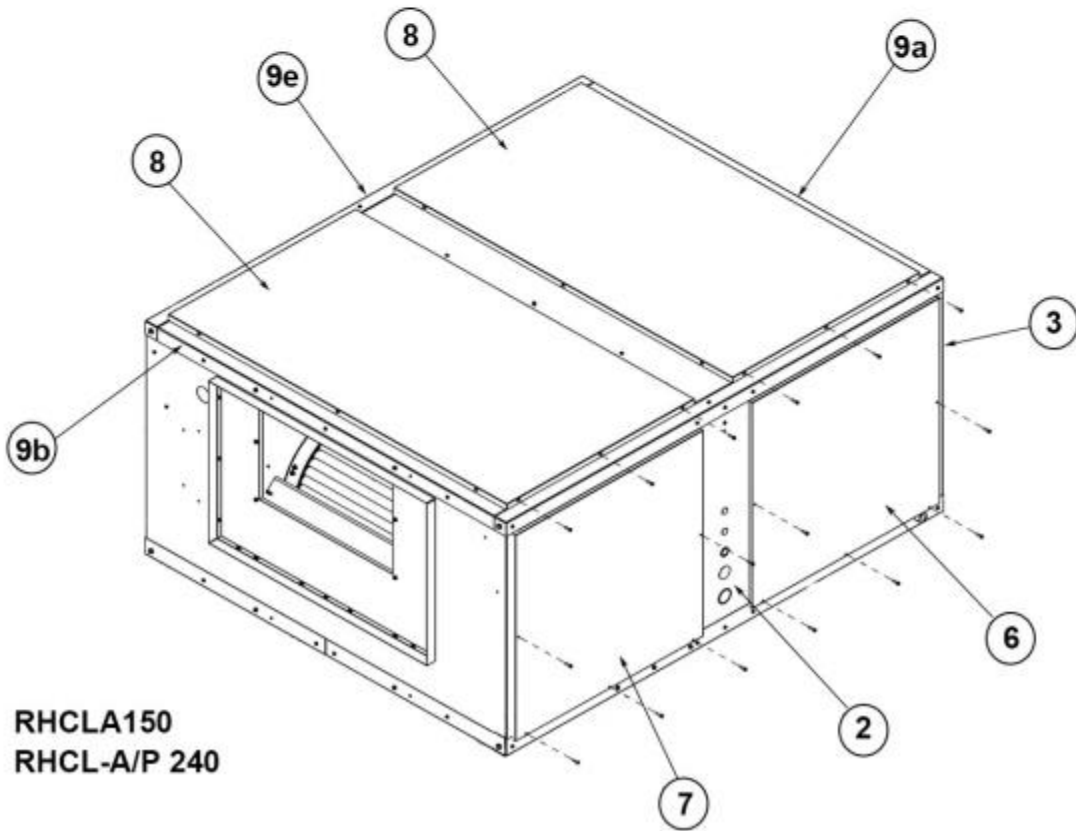
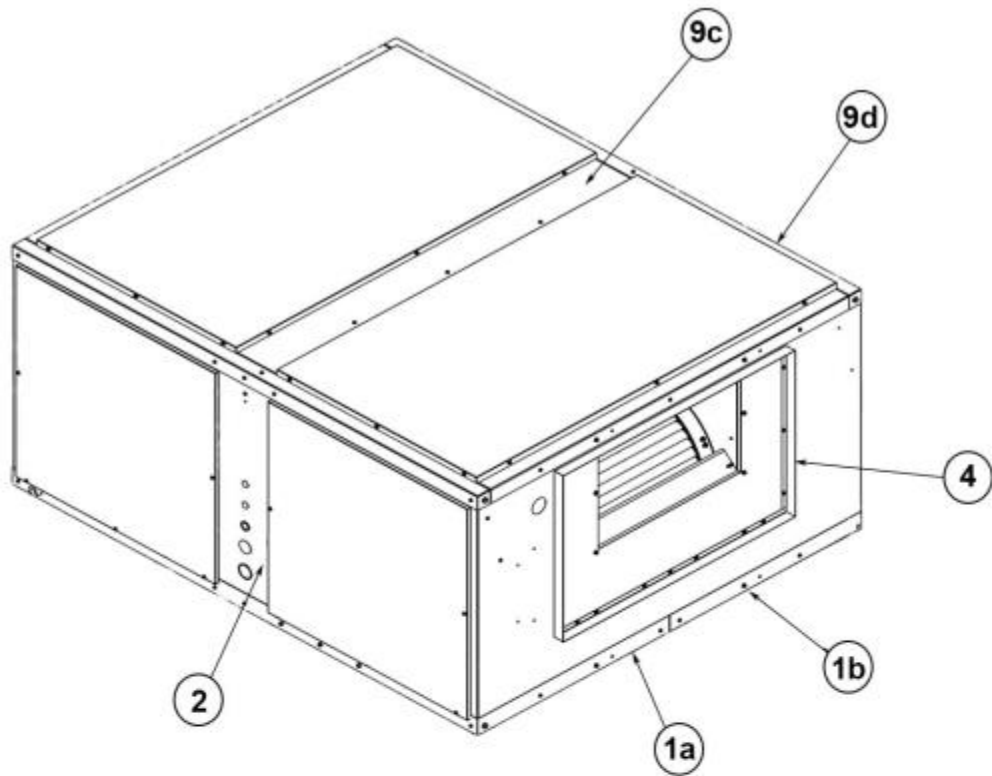
No.	Notes	MODEL/ OUTDOOR UNIT NOMINAL CAPACITY DESIGN SERIES	RHCL-P 090 A/B	RHCL-P 120 A/B			
COIL GROUP							
5	Stk	Drain Pan	10-90442-01H T	10-90953-02H T			
18	Stk	Evaporator Coil w/TXV	AS-90902-14	AS-90912-03			
19	Stk	TXV w/Distributor (2)	61-42662-12	61-42662-29			
		Drip Rail	AE-90471-01	N/A			



RHCL-A/P 090
RHCL-A/P 120

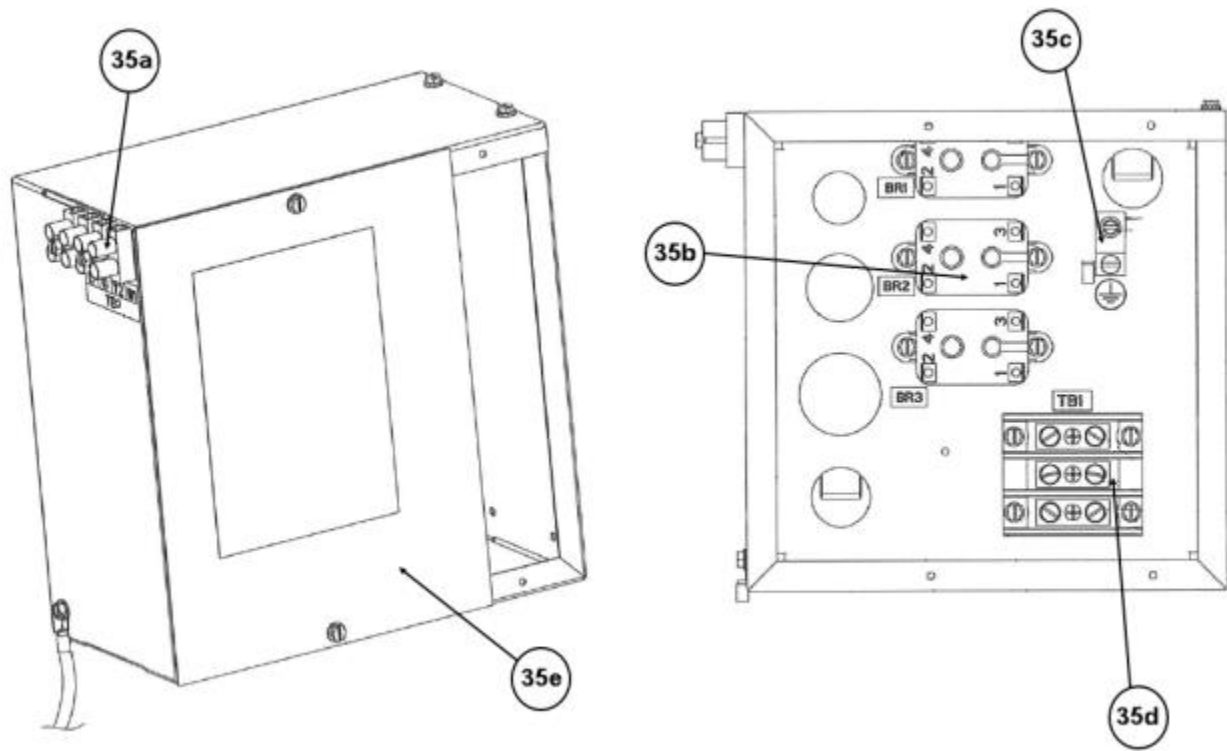


Panels

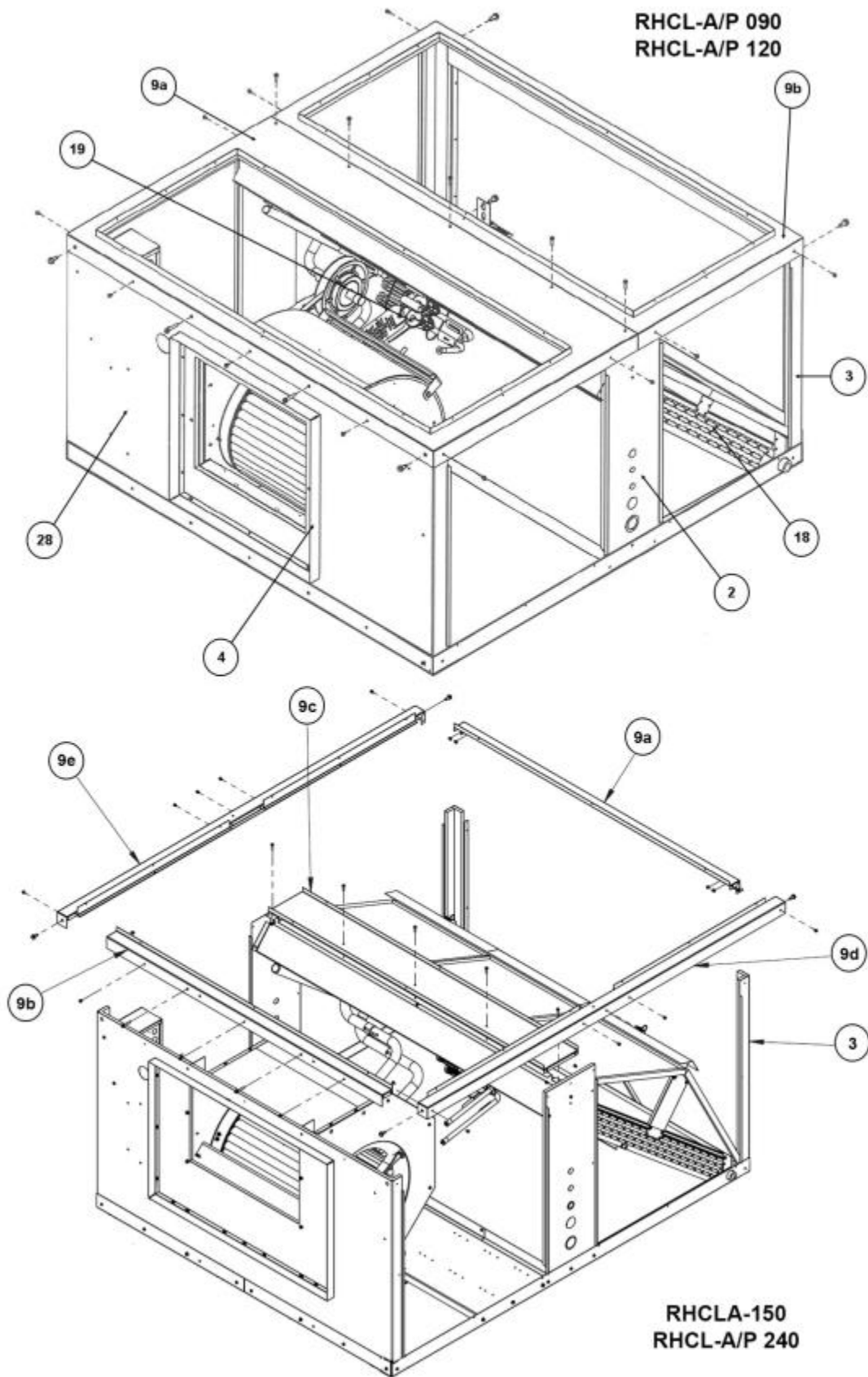


RHCLA150
RHCL-A/P 240

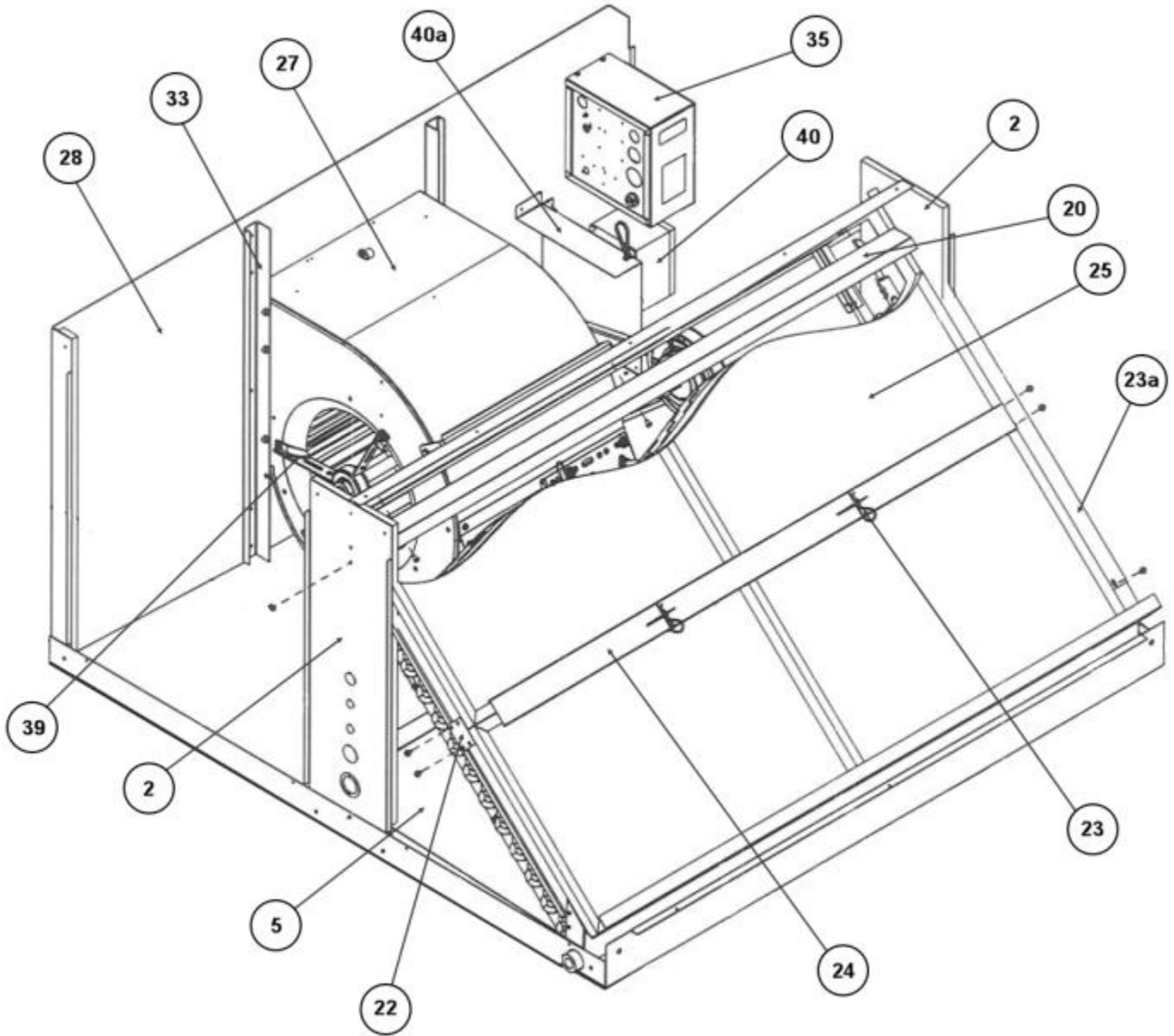
Panels-240



Junction Box

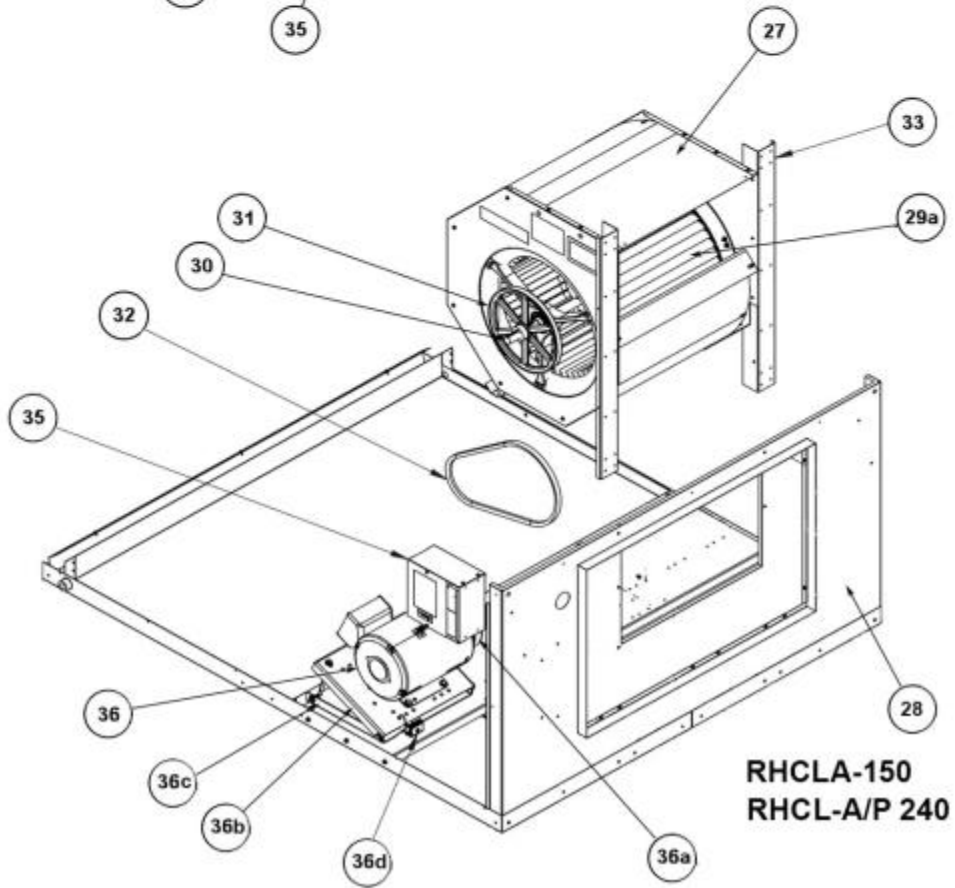
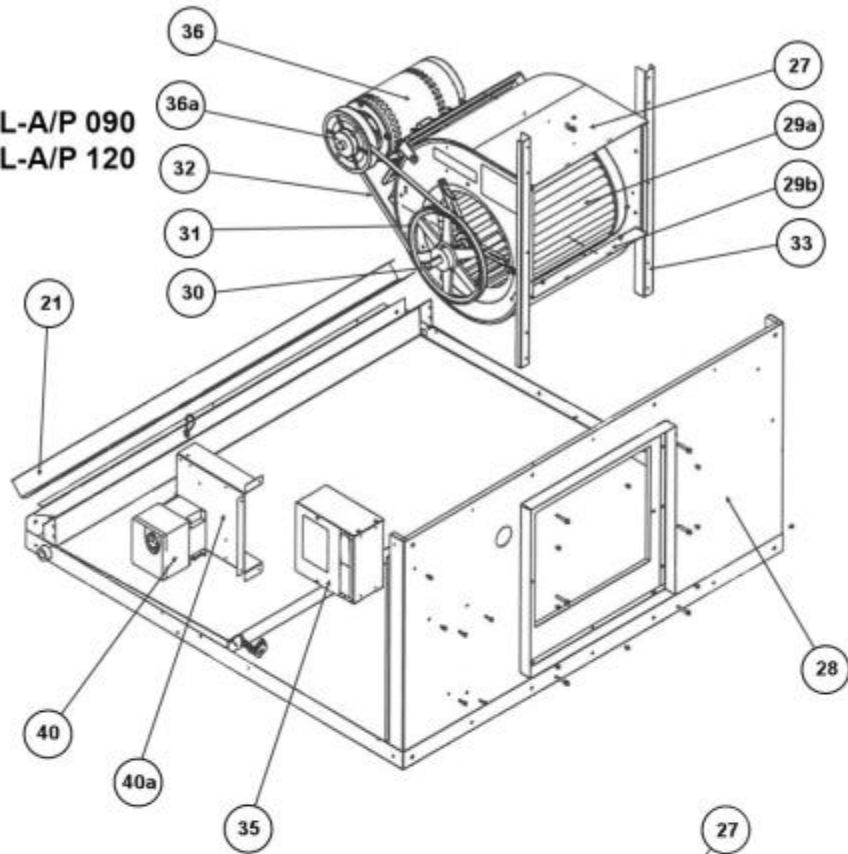


Coil, TXV



Filter Assembly

RHCL-A/P 090
RHCL-A/P 120



RHCLA-150
RHCL-A/P 240

Blower Assembly

NOTES

Stk It is recommended that stock be maintained for this part.
N/A Not Applicable

DISCLAIMER: This document is intended to provide general replacement parts information to aid qualified service personnel in the repair of these models. The complete Model and Serial Number of the unit under repair should be specified when selecting and ordering replacement parts. Specifications and illustrations are subject to change without notice. Document 92-42800-RHCL supersedes all previous parts lists for these models. See <http://www.rheempartslists.net/92-42800-RHCL> for the latest revision of this document. The manufacturer assumes no obligation for errors or omissions. Service personnel must verify the proper and safe operation of equipment after the replacement of any original components.