



# RHGM

Parts List  
27-April-2020



*This parts list is current as of the above revision date.  
See <http://www.rheempartslists.net/92-42800-RHGM.pdf> for the current revision.*

**Air Handlers - Commercial**

# Table of Contents

Model Explanation.....	Page 3
<b>Parts Numbers</b>	
Panels - Miscellaneous (Granite-Steel Gray) .....	Page 4
Panels - Miscellaneous (Neutra Green) .....	Page 5
Blower Group.....	Page 6
Coil Parts .....	Page 7
<b>Drawings/Photographs</b>	
Exploded View 090-120.....	Page 8
Notes/Disclaimer .....	Page 9

**MODEL NUMBER EXPLANATION**

<b>R</b>	<b>H</b>	<b>G</b>	<b>M</b>	<b>-</b>	<b>1</b>	<b>2</b>	<b>0</b>	<b>Z</b>	<b>K</b>
<b>1</b>	<b>2</b>	<b>3</b>	<b>4</b>			<b>5</b>		<b>6</b>	<b>7</b>

- |  |  |
|--|--|
| <p><b>1 MODEL DESIGNATION</b></p> <p><b>2 PRODUCT TYPE</b><br/>H = Air Handler</p> <p><b>3 TYPE</b><br/>G = Horizontal/Vertical</p> <p><b>4 DESIGN SERIES</b><br/>M = R410A</p> <p><b>5 NOMINAL CAPACITY (BTU/HR)</b><br/>090 = 90,000<br/>120 = 120,000</p> | <p><b>6 ELECTRICAL DESIGNATION</b><br/>H = 115/230/1/60<br/>Z = 208/230/460/3/60<br/>N = 380/415/3/50</p> <p><b>7 DRIVE PACKAGE</b><br/>K = Standard<br/>L = Optional<br/>M = Optional</p> |
|--|--|

**SERIAL NUMBER EXPLANATION (Units Produced before Nov. 2013)**

<b>0</b>	<b>6</b>	<b>0</b>	<b>F</b>	<b>0</b>	<b>1</b>	<b>9</b>	<b>2</b>	<b>9</b>	<b>9</b>	<b>9</b>	<b>9</b>	<b>9</b>
	<b>1</b>		<b>2</b>		<b>3</b>		<b>4</b>				<b>5</b>	

- 1 DRIVE COMPONENTS**
- 2 PRODUCTION LOCATION**  
F = Ft. Smith, AR
- 3 WEEK OF PRODUCTION**
- 4 YEAR OF PRODUCTION**
- 5 PRODUCTION NUMBER**

**SERIAL NUMBER EXPLANATION (Units Produced after Nov. 2013)**

<b>F</b>	<b>0</b>	<b>8</b>	<b>1</b>	<b>3</b>	<b>9</b>	<b>9</b>	<b>9</b>	<b>9</b>
<b>(1)</b>		<b>(2)</b>		<b>(3)</b>			<b>(4)</b>	

- (1) PLANT CODE**  
F = Fort Smith, AR
- (2) WEEK OF PRODUCTION**
- (3) YEAR OF PRODUCTION**
- (4) PRODUCTION NUMBER**

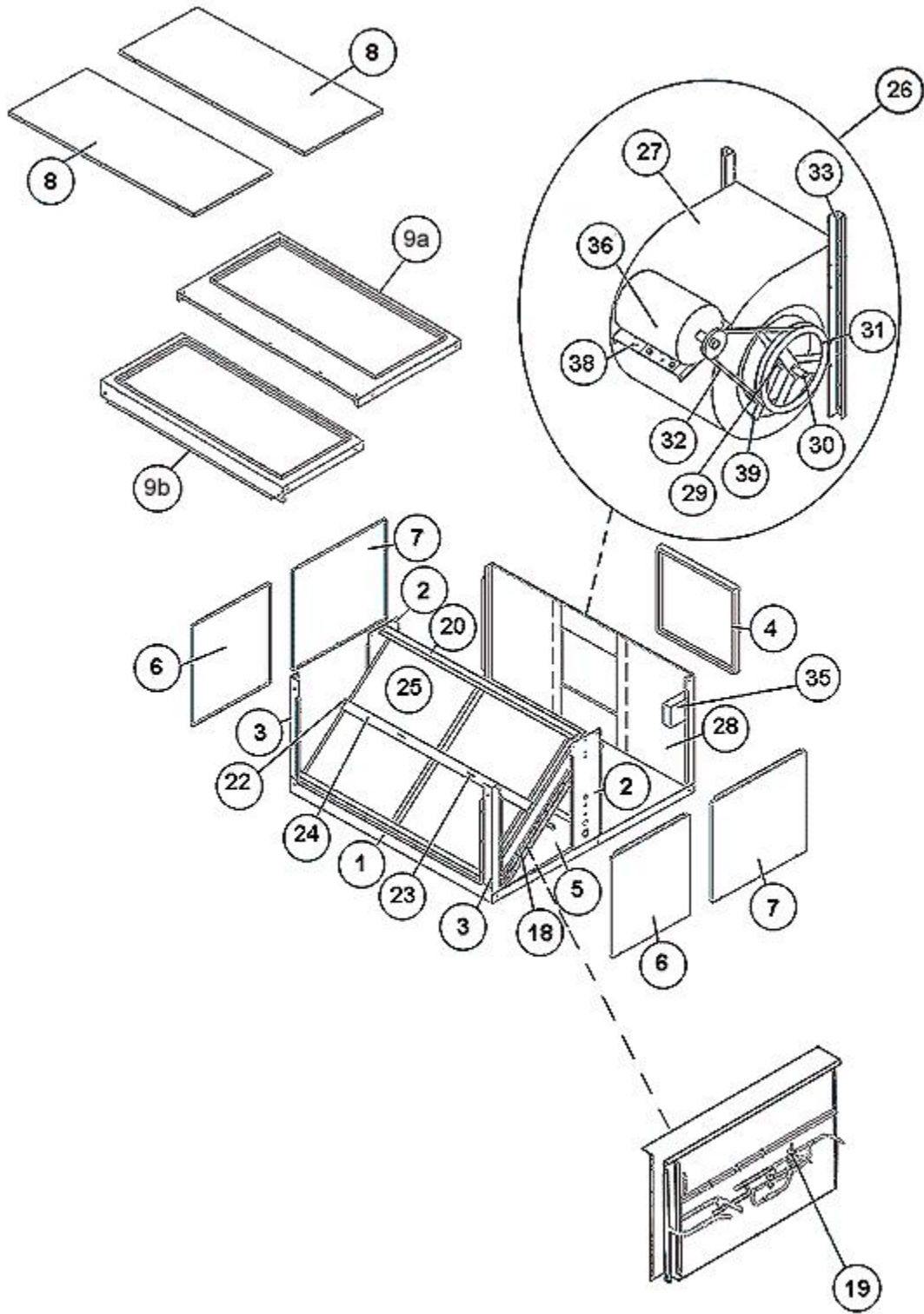
No.	Notes	MODEL NOMINAL CAPACITY	RHGM 090	RHGM 120
<b>PANELS, MISCELLANEOUS PARTS (Granite Steel Gray - After F4411)</b>				
1		Floor Pan w/Insulation	AS-90440-01H	AS-90440-01H
2		Center Post w/Insulation (2)	AS-90440-03H	AS-90440-03H
3		Corner Post w/Insulation (2)	AS-90440-04H	AS-90440-04H
4		Duct Flange Outlet	AE-76847-01	AE-76847-01
5		Drain Pan	See Coil Group	
6		Access Panel w/Insulation (2)	AS-90440-10H	AS-90440-10H
7		Access Panel w/Insulation (2)	AS-90440-11H	AS-90440-11H
8		Inlet Cap w/Insulation (2)	AS-90440-12H	AS-90440-12H
9a		Top Pan Insulation Assembly	AS-78097-01H	AS-78097-01H
9b		Top Pan Insulation Assembly	AS-78096-01H	AS-78096-01H
20		Top Filter Channel	AE-90373-01	AE-90373-01
22		Filter Rack	AS-90459-01	AS-90459-01
23		Hitch Pin Clip (2)	63-20878-01	63-20878-01
		Filter Block-Off	AE-90379-01	AE-90379-01
24		Filter Retainer Plate	AE-90377-01	AE-90377-01
25		Filter - Disposable (4)	54-17531-10	54-17531-10
35		Junction Box	AS-90472-01	AS-90472-01

No.	Notes	MODEL NOMINAL CAPACITY	RHGM 090	RHGM 120
<b>PANELS, MISCELLANEOUS PARTS (Neutra Green - Before F4411)</b>				
1		Floor Pan w/Insulation	AS-90440-01A	AS-90440-01A
2		Center Post w/Insulation (2)	AS-90440-03A	AS-90440-03A
3		Corner Post w/Insulation (2)	AS-90440-04A	AS-90440-04A
4		Duct Flange Outlet	AE-76847-01	AE-76847-01
5		Drain Pan	See Coil Group	
6		Access Panel w/Insulation (2)	AS-90440-10A	AS-90440-10A
7		Access Panel w/Insulation (2)	AS-90440-11A	AS-90440-11A
8		Inlet Cap w/Insulation (2)	AS-90440-12A	AS-90440-12A
9a		Top Pan Insulation Assembly	AS-78097-01A	AS-78097-01A
9b		Top Pan Insulation Assembly	AS-78096-01A	AS-78096-01A
20		Top Filter Channel	AE-90373-01	AE-90373-01
22		Filter Rack	AS-90459-01	AS-90459-01
23		Hitch Pin Clip (2)	63-20878-01	63-20878-01
		Filter Block-Off	AE-90379-01	AE-90379-01
24		Filter Retainer Plate	AE-90377-01	AE-90377-01
25		Filter - Disposable (4)	54-17531-10	54-17531-10
35		Junction Box	AS-90472-01	AS-90472-01

No.	Notes	MODEL NOMINAL CAPACITY DRIVE PACKAGE	RHGM 090 HK	RHGM 090 ZK	RHGM 090 ZL	RHGM 090 ZM
<b>BLOWER GROUP</b>						
26	Stk	Blower Assembly (Includes all items listed below except Blower Plate)	AS-90451-02	AS-90444-09	AS-90444-25	AS-90444-11
27		Blower Housing	AS-77539-02	AS-77539-02	AS-77539-02	AS-77539-02
28		Blower Plate w/Insulation (Green - Before F4411)	AS-90440-02A	AS-90440-02A	AS-90440-02A	AS-90440-02A
28		Blower Plate w/Insulation (Gray - After F4411)	AS-90440-02H	AS-90440-02H	AS-90440-02H	AS-90440-02H
29	Stk	Bearing (2)	<a href="#">70-41911-01</a>	<a href="#">70-41911-01</a>	<a href="#">70-41911-01</a>	<a href="#">70-41911-01</a>
	Stk	Blower Wheel	70-41512-01	70-41512-01	70-41512-01	70-41512-01
		Cut Off	AE-72264-03	AE-72264-03	AE-72264-03	AE-72264-03
30	Stk	Shaft-Blower	<a href="#">70-41900-02</a>	<a href="#">70-41900-02</a>	<a href="#">70-41900-02</a>	<a href="#">70-41900-02</a>
		Motor Support	AS-70423-05	AS-70423-05	AS-70423-05	AS-70423-05
31	Stk	Sheave - Fixed	71-41901-29	71-41901-30	71-41901-30	71-41901-30
		Key Shaft	94-42551-08	94-42551-08	94-42551-08	94-42551-08
32	Stk	Belt	<a href="#">71-17033-48</a>	71-17033-54	71-17033-55	71-17033-55
33		Blower Support (2)	AE-90369-01	AE-90369-01	AE-90369-01	AE-90369-01
36	Stk	Blower Motor	51-41949-01	<a href="#">51-42369-02</a>	51-42370-02	51-42371-02
	Stk	Sheave - Variable	71-40427-41	71-40427-43	71-40427-23	71-40427-23
		Motor Mounting Bracket	AE-72344-01	AE-72344-01	AE-72344-01	AE-72344-01
38		Motor Adjustment Piece	AE-70411-01	AE-70411-01	AE-70411-01	AE-70411-01
39		Bearing Frame Assembly - Tri-Arm (2)	<a href="#">70-41723-02</a>	<a href="#">70-41723-02</a>	<a href="#">70-41723-02</a>	<a href="#">70-41723-02</a>

No.	Notes	MODEL NOMINAL CAPACITY DRIVE PACKAGE	RHGM 120 HK	RHGM 120 ZK	RHGM 120 ZL	RHGM 120 ZM
<b>BLOWER GROUP</b>						
26	Stk	Blower Assembly (Includes all items listed below except Blower Plate)	AS-90451-02	AS-90444-09	AS-90444-25	AS-90444-11
27		Blower Housing	AS-77539-02	AS-77539-02	AS-77539-02	AS-77539-02
28		Blower Plate w/Insulation (Green - Before F4411)	AS-90440-02A	AS-90440-02A	AS-90440-02A	AS-90440-02A
28		Blower Plate w/Insulation (Gray - After F4411)	AS-90440-02H	AS-90440-02H	AS-90440-02H	AS-90440-02H
29	Stk	Bearing (2)	<a href="#">70-41911-01</a>	<a href="#">70-41911-01</a>	<a href="#">70-41911-01</a>	<a href="#">70-41911-01</a>
	Stk	Blower Wheel	70-41512-01	70-41512-01	70-41512-01	70-41512-01
		Cut Off	AE-72264-03	AE-72264-03	AE-72264-03	AE-72264-03
30	Stk	Shaft-Blower	<a href="#">70-41900-02</a>	<a href="#">70-41900-02</a>	<a href="#">70-41900-02</a>	<a href="#">70-41900-02</a>
		Motor Support	AS-70423-05	AS-70423-05	AS-70423-05	AS-70423-05
31	Stk	Sheave - Fixed	71-41901-29	71-41901-30	71-41901-30	71-41901-30
		Key Shaft	94-42551-08	94-42551-08	94-42551-08	94-42551-08
32	Stk	Belt	<a href="#">71-17033-48</a>	71-17033-54	71-17033-55	71-17033-55
33		Blower Support (2)	AE-90369-01	AE-90369-01	AE-90369-01	AE-90369-01
36	Stk	Blower Motor	51-41949-01	<a href="#">51-42369-02</a>	51-42370-02	51-42371-01
	Stk	Sheave - Variable	71-40427-41	71-40427-43	71-40427-23	71-40427-23
		Motor Mounting Bracket	AE-72344-01	AE-72344-01	AE-72344-01	AE-72344-01
38		Motor Adjustment Piece	AE-70411-01	AE-70411-01	AE-70411-01	AE-70411-01
39		Bearing Frame Assembly - Tri-Arm (2)	<a href="#">70-41723-02</a>	<a href="#">70-41723-02</a>	<a href="#">70-41723-02</a>	<a href="#">70-41723-02</a>

No.	Notes	MODEL NOMINAL CAPACITY	RHGM 090	RHGM 120
<b>COIL GROUP</b>				
5	Stk	Drain Pan (Green - Before F4411)	AS-90442-01A	AS-90442-01A
5	Stk	Drain Pan (Gray - After F4411)	AS-90442-01H	AS-90442-01H
18	Stk	Evaporator Coil w/TXV	AS-90902-09	AS-90902-10
19	Stk	TXV w/Distributor (2)	61-42662-12	61-42662-13
		Drip Rail	AE-90471-01	AE-90471-01



Exploded View 090-120

# NOTES

Stk It is recommended that stock be maintained for this part.  
N/A Not Applicable

**DISCLAIMER:** This document is intended to provide general replacement parts information to aid qualified service personnel in the repair of these models. The complete Model and Serial Number of the unit under repair should be specified when selecting and ordering replacement parts. Specifications and illustrations are subject to change without notice. Document 92-42800-RHGM supersedes all previous parts lists for these models. See <http://www.rheempartslists.net/92-42800-RHGM> for the latest revision of this document. The manufacturer assumes no obligation for errors or omissions. Service personnel must verify the proper and safe operation of equipment after the replacement of any original components.