



RHWB

Parts List
02-January-2020



*This parts list is current as of the above revision date.
See <http://www.rheempartslists.net/92-42800-RHWB.pdf> for the current revision.*

Air Handlers

Table of Contents

Model Explanation	Page 3
Parts Numbers	
Panels - Miscellaneous	Page 4
Electrical Group	Page 5
Blower Group.....	Page 6
Coil Parts	Page 7
Drawings/Photographs	
Door-Top Plate Assembly	Page 8
Cabinet-Coil Assembly 04W	Page 9
Cabinet-Coil Assembly 06W-08W	Page 10
Cabinet-Coil Assembly 10W	Page 11
Coil Assembly 04W	Page 12
Coil Assembly 06W-08W.....	Page 13
Coil Assembly 10W.....	Page 14
Blower Assembly	Page 15
Blower Assembly - ECM Motor.....	Page 16
Notes/Disclaimer	Page 17

MODEL NUMBER EXPLANATION

R	H	W	B	-	0	4	W	M	P	36	A	414
1	2	3	4		5			6	7	8	9	10

- | | |
|---|---|
| <p>1 MODEL DESIGNATION</p> <p>2 H = AIR HANDLER</p> <p>3 W = WATER</p> <p>4 B = DESIGN SERIES</p> <p>5 HEATING INPUT (BTU/HR)
 (Inlet Water Temp - 150 deg)
 04W = 40,000
 06W = 60,000
 08W = 80,000
 10W = 100,000</p> | <p>6 BLOWER DESIGNATION
 M = 11-7
 R = 11-10</p> <p>7 VARIATIONS
 P = PSC Motor
 X = ECO-TECH or X-13</p> <p>8 CAPACITY
 36 = 1100 - 1300 (3R)
 48 = 1500 - 1700 (4R)
 60 = 1900 - 2100 (5R)</p> <p>9 DESIGN VARIATION
 A = First Design
 B = Air Temperature Sense</p> <p>10 OPTION CODE
 414 = Stainless Steel Pump</p> |
|---|---|

SERIAL NUMBER EXPLANATION

F	0	4	1	0	9	9	9	9	9
1	2		3		4				

- 1** **PRODUCTION LOCATION**
 F = Ft. Smith, AR
- 2** **WEEK OF PRODUCTION**
- 3** **YEAR OF PRODUCTION**
- 4** **PRODUCTION NUMBER**

No.	Notes	MODEL HEATING INPUT BLOWER DESIGNATION VARIATIONS CAPACITY DESIGN VARIATION	RHWB- 04W M P/X 36 A/B	RHWB- 06W M P/X 48 A/B	RHWB- 08W R P/X 60 A/B	RHWB- 10W R P/X 60 A/B
PANELS, SHEET METAL, MISCELLANEOUS						
1		Top Plate Assembly (Includes Gasket, Insulation) - Platinum	AS-61872-01	AS-61872-01	AS-61872-03	AS-61872-03
1		Top Plate Assembly (Includes Gasket, Insulation) - Granite/Steel Gray	AS-61872-09	AS-61872-09	AS-61872-11	AS-61872-11
		Gasket - Extruded (Top Plate Assembly)	AE-61871-01	AE-61871-01	AE-61871-03	AE-61871-03
2		Insulation - Tubing (2)	68-26181-06	68-26181-06	68-26181-06	68-26181-06
3		Coil Door Assembly (Includes Fasteners, Retainers, Sight Glass) - Neutra Green	AS-61905-01	AS-61905-01	AS-61907-01	AS-61907-01
3		Coil Door Assembly (Includes Fasteners, Retainers, Sight Glass) - Granite/Steel Gray	AS-61905-03	AS-61905-03	AS-61907-02	AS-61907-02
4		Blower Door Assembly (Includes Fasteners, Retainers, Sight Glass) - Neutra Green	AS-61908-03	AS-61908-03	AS-61910-03	AS-61910-03
4		Blower Door Assembly (Includes Fasteners, Retainers, Sight Glass) - Granite/Steel Gray	AS-61908-04	AS-61908-04	AS-61910-04	AS-61910-04
		Sight Glass (2)	68-21893-03	68-21893-03	68-21893-03	68-21893-03
		Door Fastener - Burner and Filter Doors (4)	64-24079-05	64-24079-05	64-24079-05	64-24079-05
		Retainer - Door Fastener (4)	64-24030-02	64-24030-02	64-24030-02	64-24030-02
		Insert - For Jacket Assembly (4)	64-24081-03	64-24081-03	64-24081-03	64-24081-03
5		Button Plug	45-22980-08	45-22980-08	45-22980-08	45-22980-08
6		Button Plug	45-22980-03	45-22980-03	45-22980-03	45-22980-03
		Air Stop	See Coil Group			
7		Cover - Junction Box	AE-61476-02	AE-61476-02	AE-61476-02	AE-61476-02
8		Junction Box	AE-61475-02	AE-61475-02	AE-61475-02	AE-61475-02
9		Switch - Push Button	42-22692-09	42-22692-09	42-22692-09	42-22692-09
10		Mounting Plate	AE-67877-01	AE-67877-01	AE-67877-01	AE-67877-01
		Nylon Plug (7/8 in.)	45-22926-01	45-22926-01	45-22926-01	45-22926-01
		Nylon Plug (1-1/8 in.)	45-22926-02	45-22926-02	45-22926-02	45-22926-02
		Nylon Plug (7/32 in.)	45-24125-01	45-24125-01	45-24125-01	45-24125-01
		Solid Bottom	AE-61874-02	AE-61874-02	AE-61874-04	AE-61874-04
		Filter	54-24094-01	54-24094-01	54-24094-03	54-24094-03
		Filter Retainer Rod	45-24095-01	45-24095-01	45-24095-01	45-24095-01
		Filter Rod Support Angle	AE-60520-01	AE-60520-01	AE-60520-01	AE-60520-01

No.	Notes	MODEL HEATING INPUT BLOWER DESIGNATION VARIATIONS CAPACITY DESIGN VARIATION	RHWB-04W	RHWB-06W	RHWB-08W	RHWB-10W
			M P 36 A/A414	M P 48 A/414	R P 60 A/414	R P 60 A/414
ELECTRICAL GROUP						
20	Stk	Transformer	46-24124-03	46-24124-03	46-24124-03	46-24124-03
21	Stk	Control Board	47-103255-01	47-103255-01	47-103255-01	47-103255-01
	Stk	Flow Sensor Switch	47-103347-01	47-103347-01	47-103347-01	47-103347-01
22	Stk	Capacitor - Blower Motor, PSC	43-101666-42	43-101666-43	43-101666-43	43-101666-43
23	Stk	Capacitor - Pump	43-100496-41	43-100496-41	43-100496-41	43-100496-41
		Water Pump	See Coil Group			
		Wiring Harness - Twist Lock (5 Terminals to 5 Terminals)	45-24393-07	45-24393-07	45-24393-07	45-24393-07
		Wiring Harness - 4 Pin Connector to 3 Terminals	45-24371-56	45-24371-56	45-24371-56	45-24371-56

No.	Notes	MODEL HEATING INPUT BLOWER DESIGNATION VARIATIONS CAPACITY DESIGN VARIATION	RHWB-04W	RHWB-06W	RHWB-08W	RHWB-10W
			M X 36 A/A414	M X 48 A/414	R X 60 A/414	R X 60 A/414
ELECTRICAL GROUP						
20	Stk	Transformer	46-24124-03	46-24124-03	46-24124-03	46-24124-03
21	Stk	Control Board	47-103255-01	47-103255-01	47-103255-01	47-103255-01
	Stk	Flow Sensor Switch	47-103347-01	47-103347-01	47-103347-01	47-103347-01
22	Stk	Capacitor - Blower Motor, PSC	N/A	N/A	N/A	N/A
23	Stk	Capacitor - Pump	43-100496-41	43-100496-41	43-100496-41	43-100496-41
		Water Pump	See Coil Group			
		Wiring Harness - Twist Lock (5 Terminals to 5 Terminals)	45-24393-07	45-24393-07	45-24393-07	45-24393-07
		Wiring Harness - 4 Pin Connector to 3 Terminals	45-24371-56	45-24371-56	45-24371-56	45-24371-56

No.	Notes	MODEL HEATING INPUT BLOWER DESIGNATION VARIATIONS CAPACITY DESIGN VARIATION	RHWB-04W	RHWB-06W	RHWB-08W	RHWB-10W
			M P 36 B	M P 48 B	R P 60 B	R P 60 B
ELECTRICAL GROUP						
20	Stk	Transformer	46-24124-03	46-24124-03	46-24124-03	46-24124-03
21	Stk	Control Board - Air Temperature Sensing	47-103255-02	47-103255-02	47-103255-02	47-103255-02
		Thermistor Bracket	AE-104840-01	AE-104840-01	AE-104840-01	AE-104840-01
		Thermistor - Duct Mount (Supply)	47-104844-01	47-104844-01	47-104844-01	47-104844-01
		Ambient Sensor (Return)	47-102709-05	47-102709-05	47-102709-05	47-102709-05
22	Stk	Capacitor - Blower Motor, PSC	43-101666-42	43-101666-43	43-101666-43	43-101666-43
23	Stk	Capacitor - Pump	43-100496-41	43-100496-41	43-100496-41	43-100496-41
		Water Pump	See Coil Group			
		Wiring Harness - Twist Lock (5 Terminals to 5 Terminals)	45-24393-07	45-24393-07	45-24393-07	45-24393-07
		Wiring Harness - 4 Pin Connector to 3 Terminals	45-24371-56	45-24371-56	45-24371-56	45-24371-56

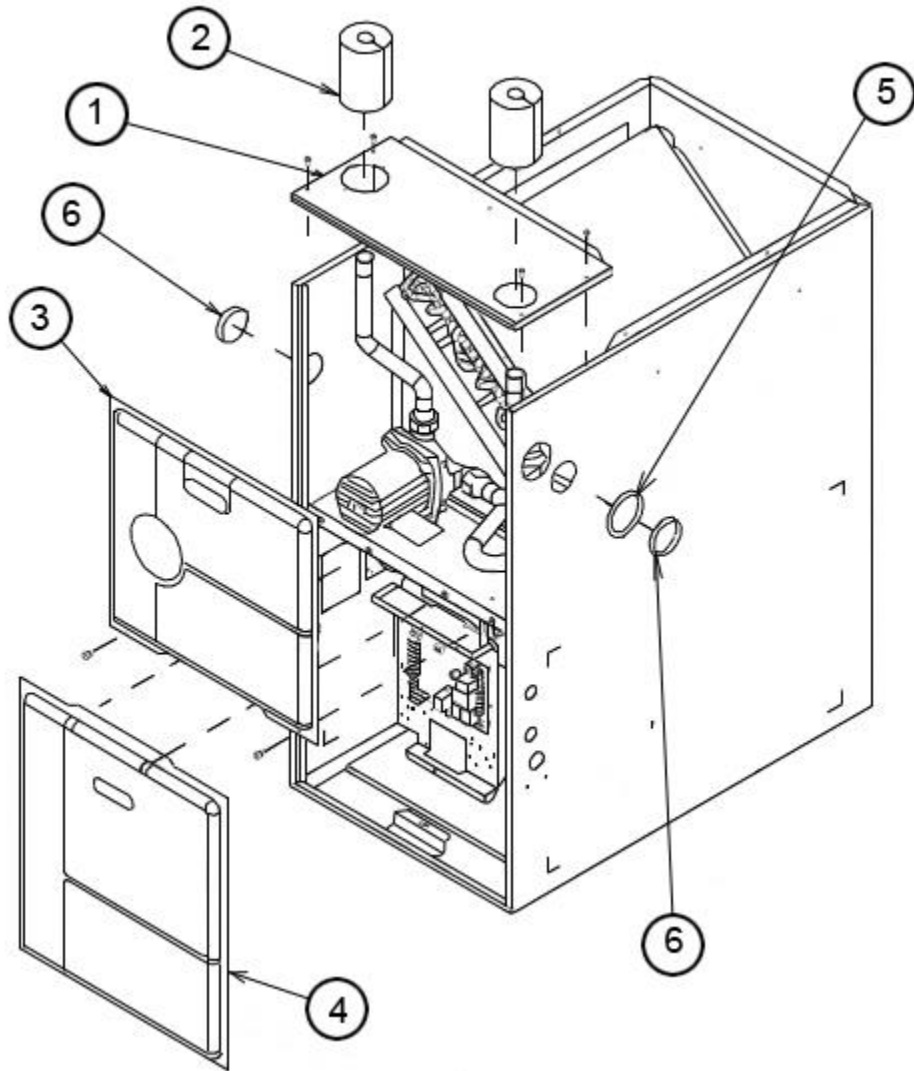
No.	Notes	MODEL HEATING INPUT BLOWER DESIGNATION VARIATIONS CAPACITY DESIGN VARIATION	RHWB-04W	RHWB-06W	RHWB-08W	RHWB-10W
			M X 36 B	M X 48 B	R X 60 B	R X 60 B
ELECTRICAL GROUP						
20	Stk	Transformer	46-24124-03	46-24124-03	46-24124-03	46-24124-03
21	Stk	Control Board - Air Temperature Sensing	47-103255-02	47-103255-02	47-103255-02	47-103255-02
		Thermistor Bracket	AE-104840-01	AE-104840-01	AE-104840-01	AE-104840-01
		Thermistor - Duct Mount (Supply)	47-104844-01	47-104844-01	47-104844-01	47-104844-01
		Ambient Sensor (Return)	47-102709-05	47-102709-05	47-102709-05	47-102709-05
22	Stk	Capacitor - Blower Motor, PSC	N/A	N/A	N/A	N/A
23	Stk	Capacitor - Pump	43-100496-41	43-100496-41	43-100496-41	43-100496-41
		Water Pump	See Coil Group			
		Wiring Harness - Twist Lock (5 Terminals to 5 Terminals)	45-24393-07	45-24393-07	45-24393-07	45-24393-07
		Wiring Harness - 4 Pin Connector to 3 Terminals	45-24371-56	45-24371-56	45-24371-56	45-24371-56

No.	Notes	MODEL HEATING INPUT BLOWER DESIGNATION VARIATIONS CAPACITY DESIGN VARIATION	RHWB-	RHWB-	RHWB-	RHWB-
			04W M P 36 A/B	06W M P 48 A/B	08W R P 60 A/B	10W R P 60 A/B
BLOWER GROUP						
30	Stk	Blower Assembly (Includes Items Listed Below)	AS-61697-103	AS-61697-104	AS-61697-105	AS-61697-105
		Blower Housing	AS-61674-02	AS-61674-02	AS-61674-03	AS-61674-03
	Stk	Blower Wheel	70-22688-01	70-22688-01	70-20602-01	70-20602-01
31		Motor Mount - Leg (4)	AE-61698-02	AE-61698-02	AE-61698-02	AE-61698-02
32	Stk	Blower Motor	51-24042-02	51-24043-03	51-24043-02	51-24043-02
22		Capacitor - Blower Motor	See Electrical Group			

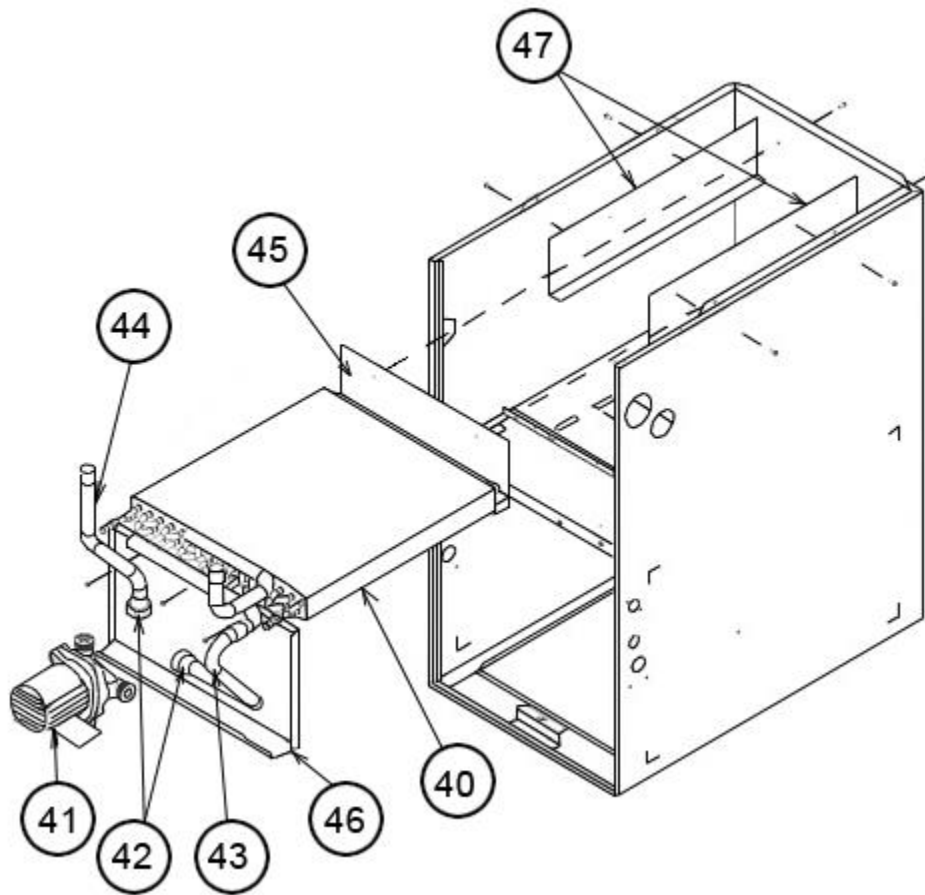
No.	Notes	MODEL HEATING INPUT BLOWER DESIGNATION VARIATIONS CAPACITY DESIGN VARIATION	RHWB-	RHWB-	RHWB-	RHWB-
			04W M X 36 A/B	06W M X 48 A/B	08W R X 60 A/B	10W R X 60 A/B
BLOWER GROUP						
60	Stk	Blower Assembly (Includes Items Listed Below)	AS-67876-64	AS-67876-65	AS-67876-66	AS-67876-66
61		Blower Housing	AS-61674-02	AS-61674-02	AS-61674-03	AS-61674-03
62	Stk	Blower Wheel	70-24254-02	70-24254-02	70-23111-20	70-23111-20
		Motor Mount Kit: includes grommets, screws, nuts, motor mount, and motor mount brackets	70-24104-82	70-24104-82	70-24104-82	70-24104-82
63		Motor Mount	70-24104-02	70-24104-02	70-24104-02	70-24104-02
64		Motor Mount - Bracket (4)	AE-61956-01	AE-61956-01	AE-61956-01	AE-61956-01
65	Stk	Blower Motor	51-104220-01	51-104221-01	51-104221-02	51-104221-02

No.	Notes	MODEL HEATING INPUT BLOWER DESIGNATION VARIATIONS CAPACITY DESIGN VARIATION	RHWB-	RHWB-	RHWB-	RHWB-
			04W M X/P 36 A/A414	06W M X/P 48 A/414	08W R X/P 60 A/414	10W R X/P 60 A/414
COIL GROUP						
40	Stk,3	Coil Assembly - All Non-414 (Includes items 42,43,45,51,52 and Valve Cores)	AS-103359-02	N/A	N/A	N/A
40	Stk,3	Coil Assembly - All Option 414, (Includes items 42,43,45,51,52 and Valve Cores)	AS-103887-02	N/A	N/A	N/A
40	Stk,3	Coil Assembly - All Non-414 (Includes items 42,43,45,46,48,50,51,52 and Valve Cores)	N/A	AS-103360-02	AS-103361-02	AS-103345-02
40	Stk,3	Coil Assembly - All Option 414 (Includes items 42,43,45,46,48,50,51,52 and Valve Cores)	N/A	AS-103888-02	AS-103889-02	AS-103890-02
41	Stk	Water Pump - All Non-414 (Before F0913)	38-103340-01	38-103340-01	38-103340-01	38-103340-01
41	Stk	Water Pump (Stainless Steel Housing, all Option 414 and all Non-414 units on or After F0913)	38-103340-03	38-103340-03	38-103340-03	38-103340-03
23		Capacitor - Pump	See Electrical Group			
42	Stk,1	Half Union Adapter Kit - All non-414 (Nut, Collar, Washer) - See Note 1	82-103351-01	82-103351-01	82-103351-01	82-103351-01
42	Stk,1	Half Union Adapter Kit - All Option 414 (Nut, Collar, Washer) (2) - See Note 1	82-103351-02	82-103351-02	82-103351-02	82-103351-02
43		Tube - Header to Water Pump	AE-103357-01 (See Note 2)	AE-103357-05	AE-103357-07	AE-103357-09
44		Tube - Water Pump to Panel	AE-103357-02	AE-103357-02	AE-103357-02	AE-103357-10
45		Air Stop - Back	AE-103332-02	AE-103332-07	AE-103332-11	AE-103332-14
46		Air Stop - Front	AE-103332-03	AE-103332-06	AE-103332-10	AE-103332-14
47		Air Stop - Side (2)	AE-103332-01	N/A	N/A	N/A
48		Air Stop - Top	N/A	AE-103332-04	AE-103332-08	AE-103332-13
49		Air Stop - Bottom	N/A	AE-103332-05 (1)	AE-103332-09 (1)	AE-103332-12 (2)
50		Tube - Header To Panel	N/A	AE-103357-04	AE-103357-06	AE-103357-08
51		Bulkhead Valve	61-22369-05 (2)	61-22369-05 (1)	61-22369-05 (2)	61-22369-05 (4)
51		Valve Body	N/A	61-18542-01 (1)	N/A	N/A
		Valve Core - Bulkhead Valve (2)	61-18551-01 (2)	61-18551-01 (2)	61-18551-01 (2)	61-18551-01 (4)
52		Access Valve Cap (2)	83-100635-01 (2)	83-100635-01 (2)	83-100635-01 (2)	83-100635-01 (4)

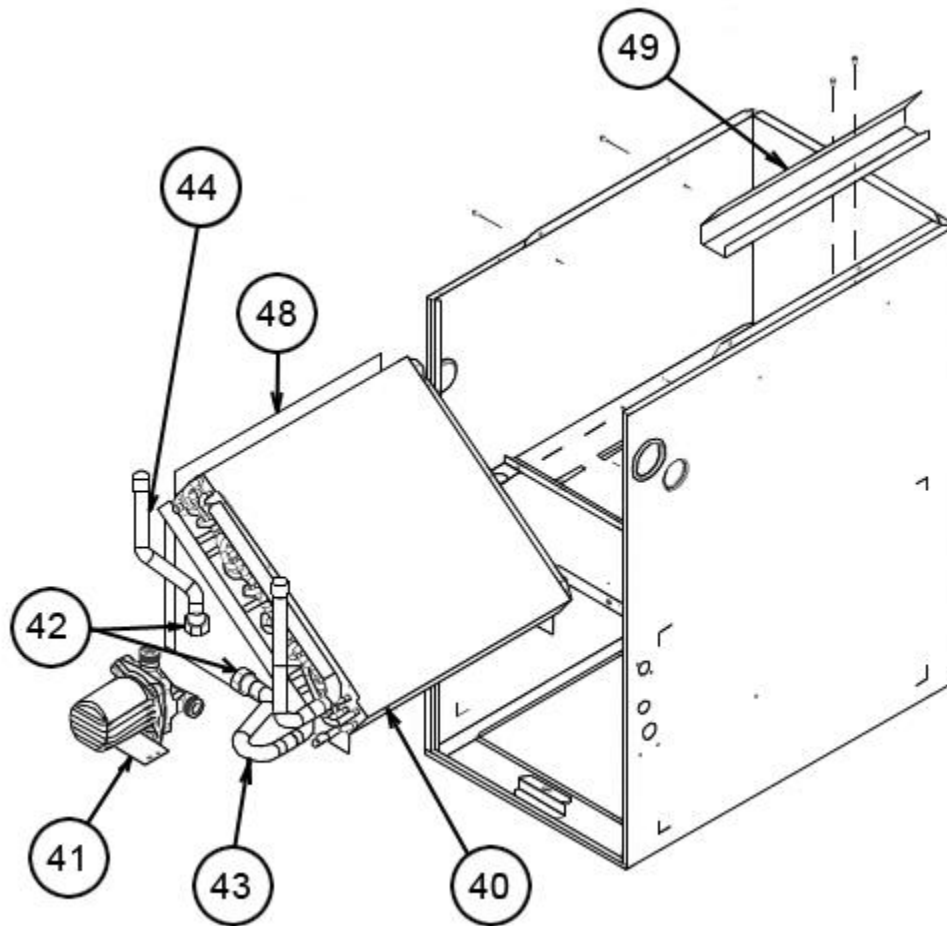
No.	Notes	MODEL HEATING INPUT BLOWER DESIGNATION VARIATIONS CAPACITY DESIGN VARIATION	RHWB-	RHWB-	RHWB-	RHWB-
			04W M X/P 36 B	06W M X/P 48 B	08W R X/P 60 B	10W R X/P 60 B
COIL GROUP						
40	Stk,3	Coil Assembly - (Includes items 42,43,45,51,52 and Valve Cores)	AS-103359-02	N/A	N/A	N/A
40	Stk,3	Coil Assembly - (Includes items 42,43,45,46,48,50,51,52 and Valve Cores)	N/A	AS-103360-02	AS-103361-02	AS-103345-02
41	Stk	Water Pump (Stainless Steel Housing)	38-103340-03	38-103340-03	38-103340-03	38-103340-03
23		Capacitor - Pump	See Electrical Group			
42	Stk,1	Half Union Adapter Kit - See Note 1	82-103351-01	82-103351-01	82-103351-01	82-103351-01
43		Tube - Header to Water Pump	N/A	AE-103357-05	AE-103357-07	AE-103357-09
44		Tube - Water Pump to Panel	AE-103357-02	AE-103357-02	AE-103357-02	AE-103357-10
45		Air Stop - Back	AE-103332-02	AE-103332-07	AE-103332-11	AE-103332-14
46		Air Stop - Front	AE-103332-03	AE-103332-06	AE-103332-10	AE-103332-14
47		Air Stop - Side (2)	AE-103332-01	N/A	N/A	N/A
48		Air Stop - Top	N/A	AE-103332-04	AE-103332-08	AE-103332-13
49		Air Stop - Bottom	N/A	AE-103332-05 (1)	AE-103332-09 (1)	AE-103332-12 (2)
50		Tube - Header To Panel	N/A	AE-103357-04	AE-103357-06	AE-103357-08
51		Bulkhead Valve	61-22369-05 (2)	61-22369-05 (1)	61-22369-05 (2)	61-22369-05 (4)
51		Valve Body	N/A	61-18542-01 (1)	N/A	N/A
		Valve Core - Bulkhead Valve (2)	61-18551-01 (2)	61-18551-01 (2)	61-18551-01 (2)	61-18551-01 (4)
52		Access Valve Cap (2)	83-100635-01 (2)	83-100635-01 (2)	83-100635-01 (2)	83-100635-01 (4)



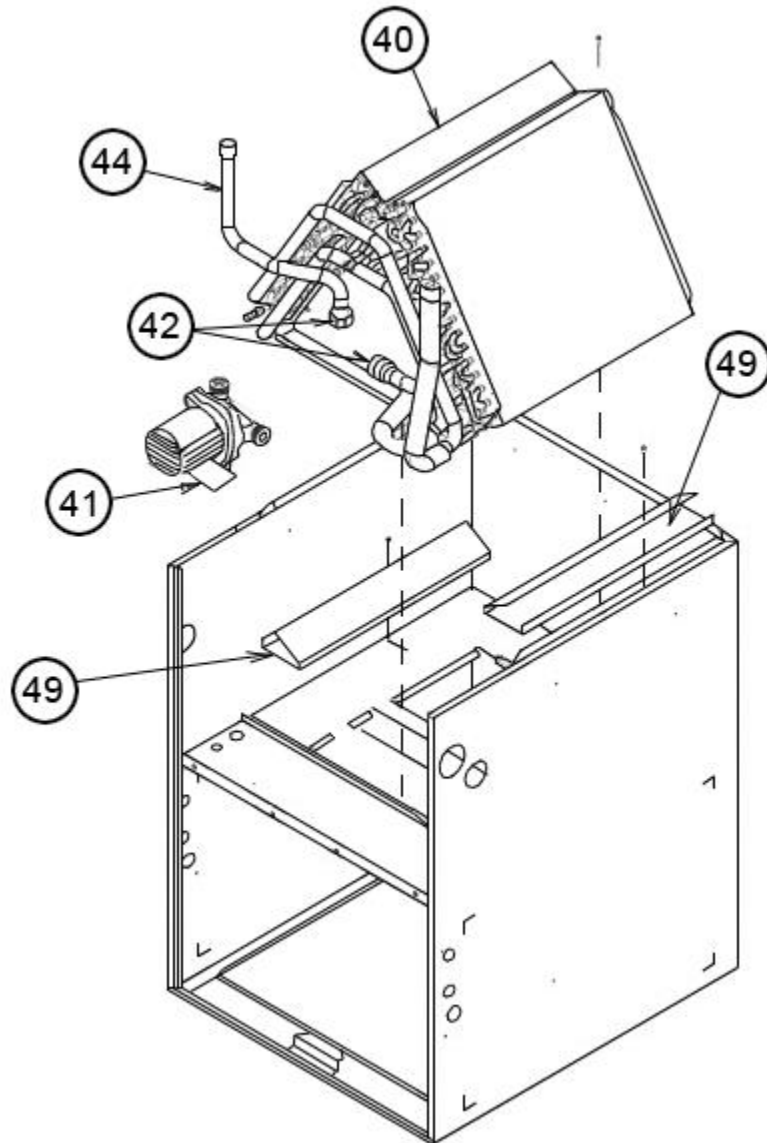
Door-Top Plate Assembly



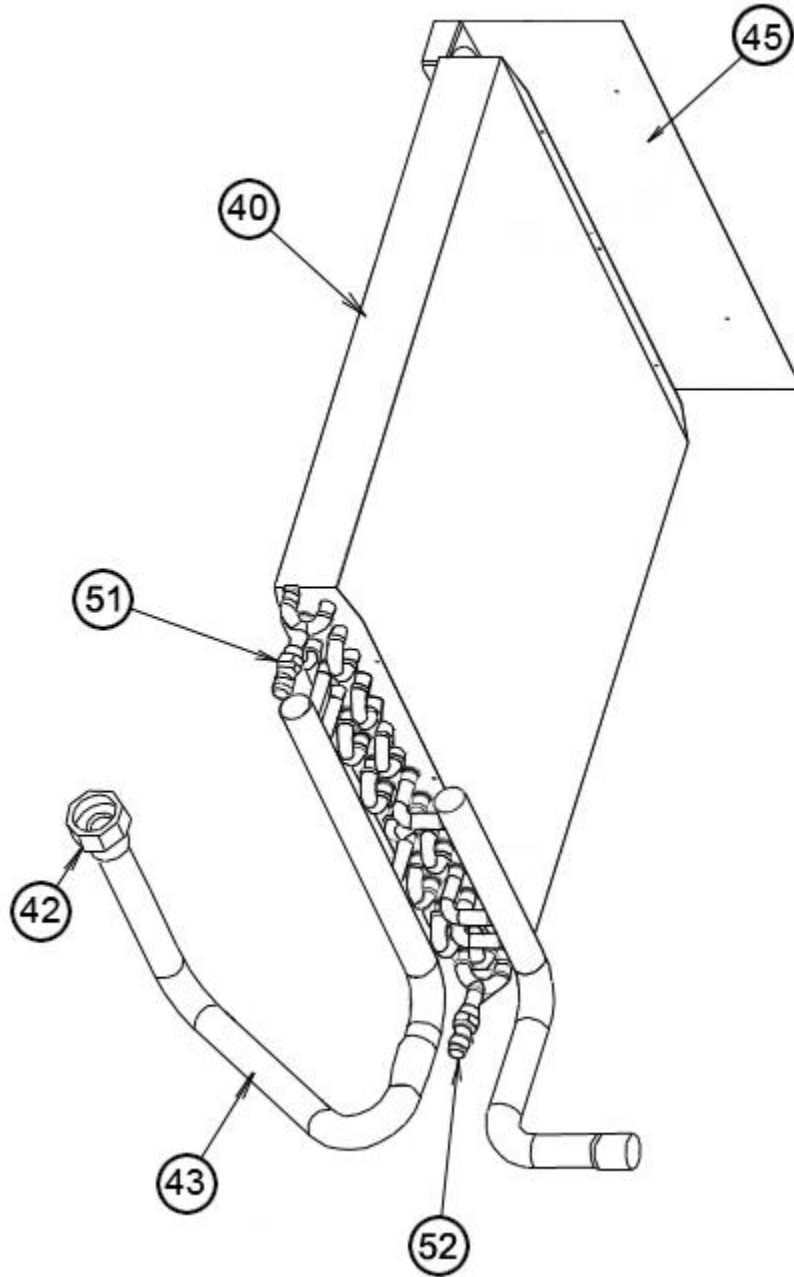
Cabinet-Coil Assembly 04W



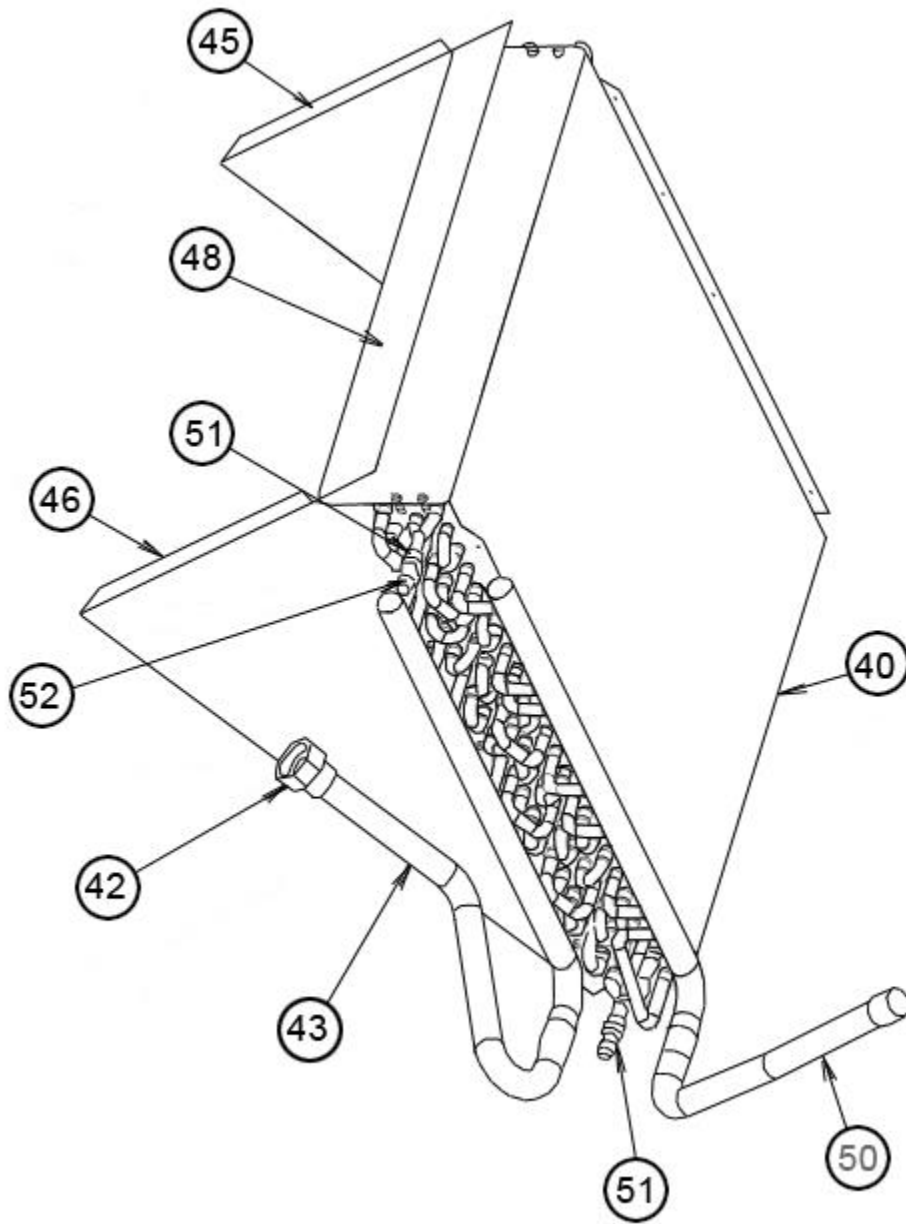
Cabinet-Coil Assembly 06W-08W



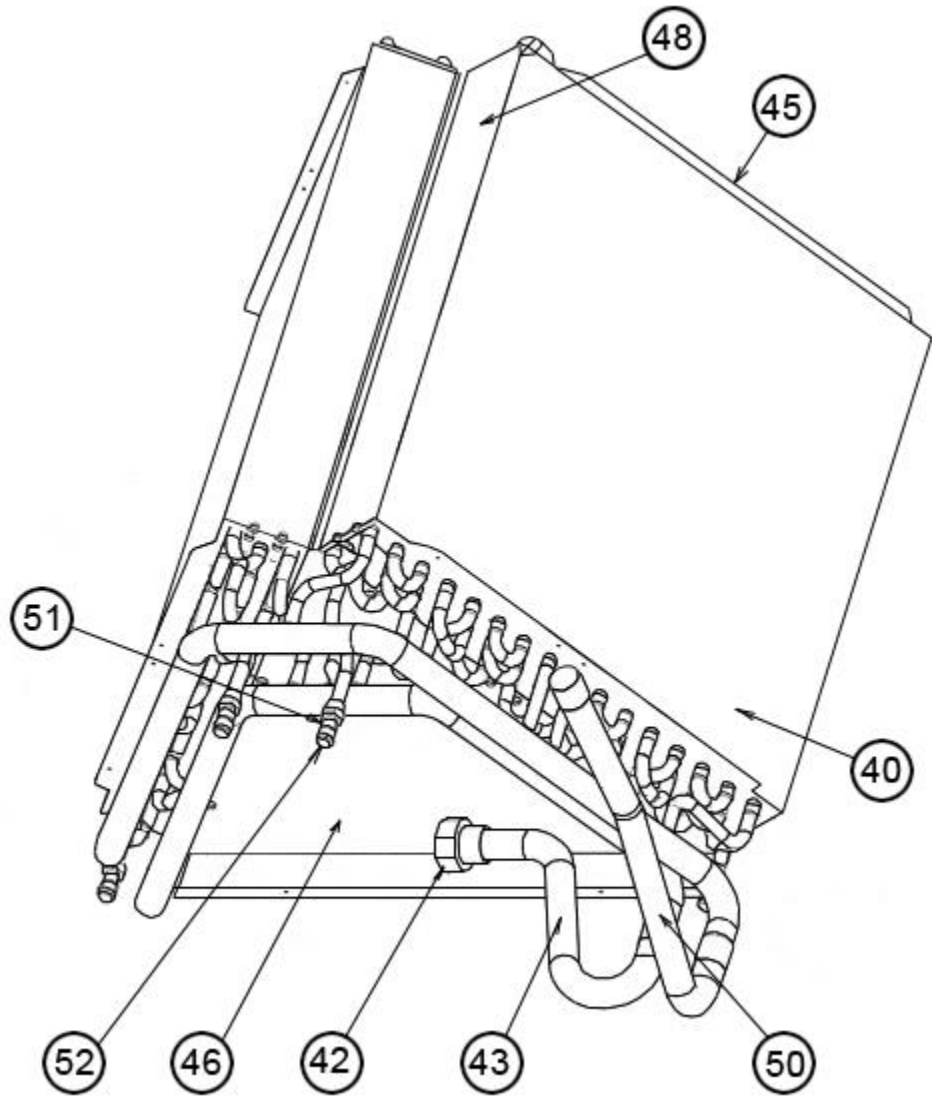
Cabinet-Coil Assembly 10W



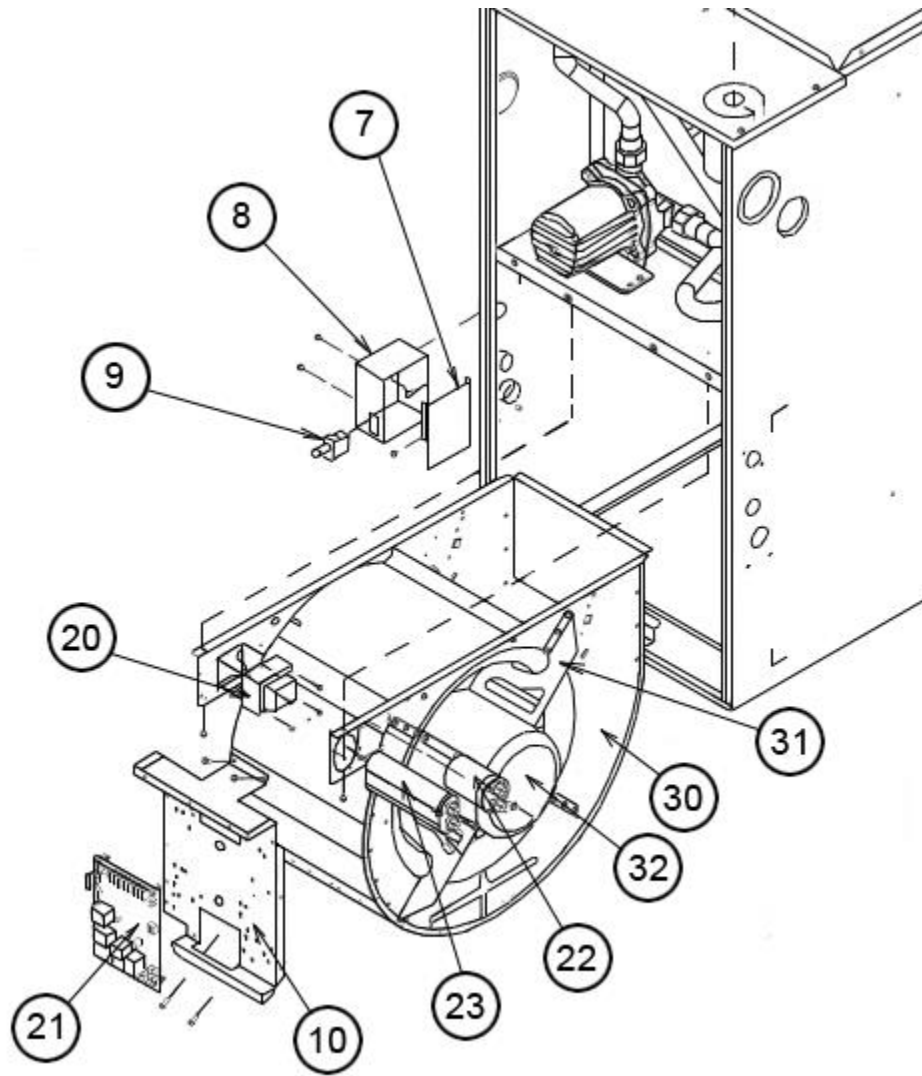
Coil Assembly 04W



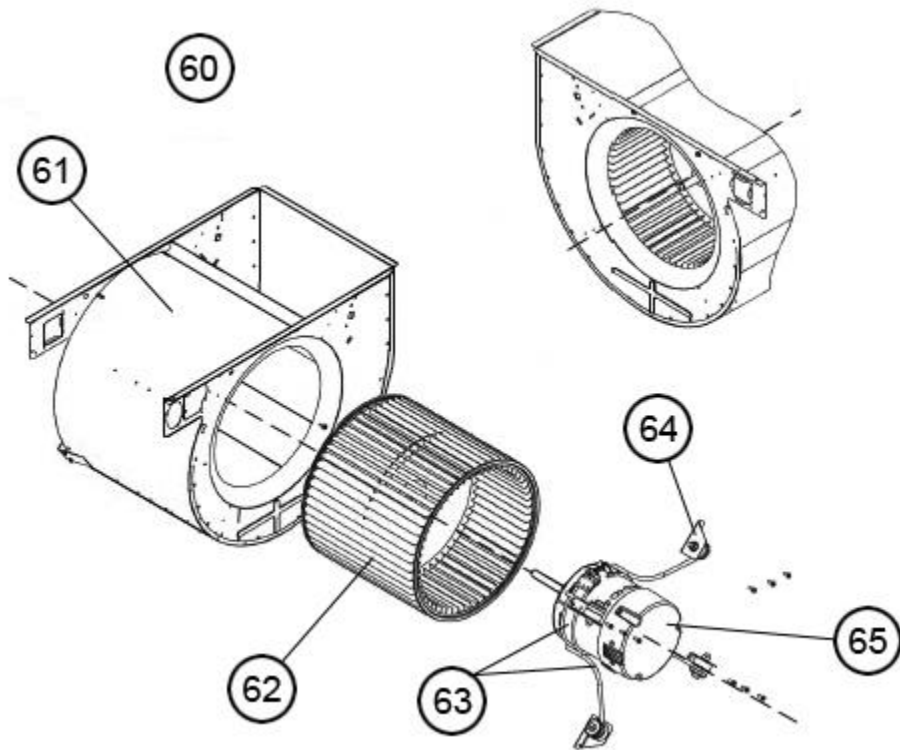
Coil Assembly 06W-08W



Coil Assembly 10W



Blower Assembly



Blower Assembly - ECM Motor

NOTES

Stk It is recommended that stock be maintained for this part.

N/A Not Applicable

- 1 Coil Assembly includes one Half Union Adapter. Half Union Adapter for Water Pump-to-Panel Tube must be ordered separately.
- 2 For units produced on or after F2612, Tube (AE-103357-01) was eliminated as a single component. It is now an integral component of the coil header assembly, and is no longer needed as a separate part.
- 3 Units built on or after date code F0913 utilize non-option 414 coils and stainless steel pumps. For units built before F0913, the proper coil selection will have to be made in accordance as to whether or not the unit was built as an option 414 unit.

DISCLAIMER: This document is intended to provide general replacement parts information to aid qualified service personnel in the repair of these models. The complete Model and Serial Number of the unit under repair should be specified when selecting and ordering replacement parts. Specifications and illustrations are subject to change without notice. Document 92-42800-RHWP supersedes all previous parts lists for these models. See <http://www.rheempartslists.net/92-42800-RHWP> for the latest revision of this document. The manufacturer assumes no obligation for errors or omissions. Service personnel must verify the proper and safe operation of equipment after the replacement of any original components.