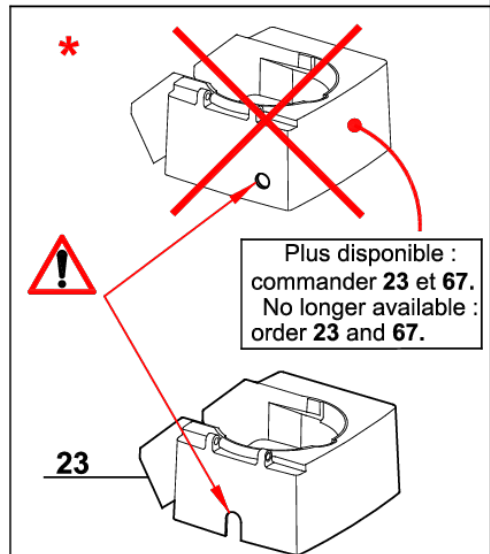
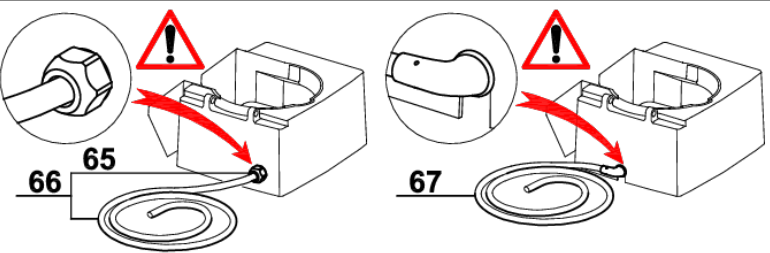
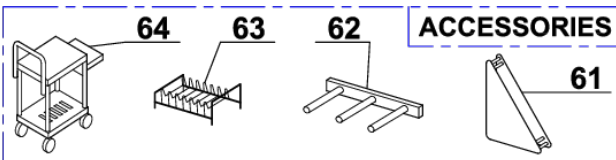
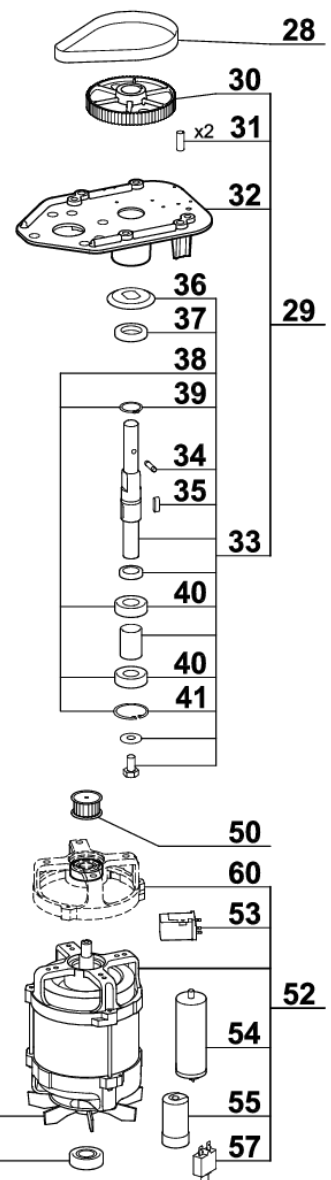
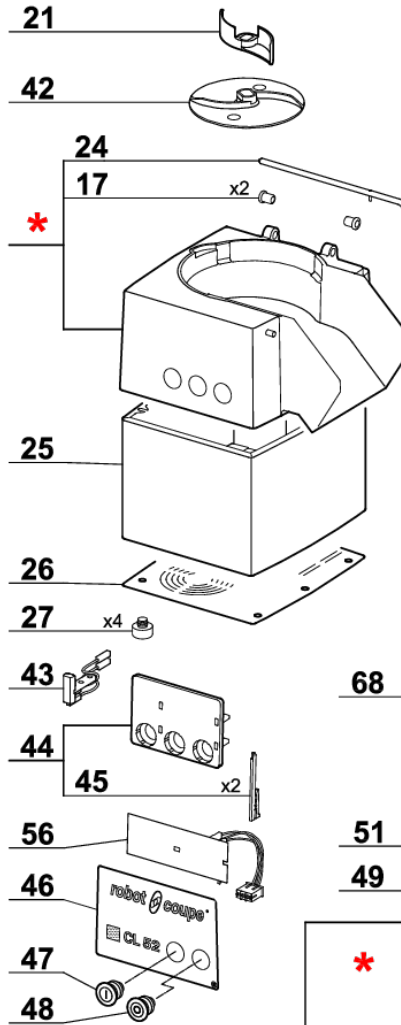
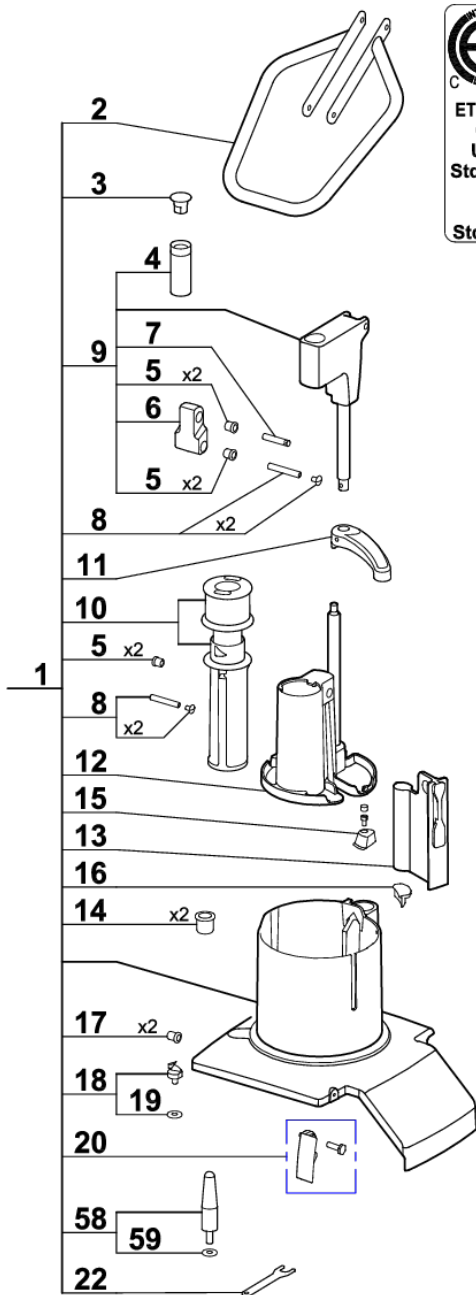
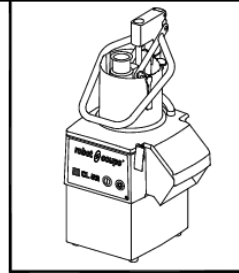


robotcoupe®

CL 52 Series E

120 Volt, 60Hz, 13.5 Amps
S/N = X X X - - - - 0 3 - - - -
X X X = 453

ETL LISTED 54881
Conforms to
UL NSF/ANSI
Std 763 Std 8
Certified to
CAN/CSA
Std C22.2 No.195



Index	Reference	Article	Pricings
1	39673	* Complete Feed Lead (CL52E)	\$2,299.00
2	39661	Handle (CL52E)	\$403.20
3	39663	Pusher Abutment (CL52E)	\$58.20
4	39672	Sliding Ring (CL52E)	\$35.40
5	39664	Shouldered Rings (Qty 2) (CL52E)	\$38.20
6	39665	Back Tie Rod (CL52E)	\$38.50
7	39666	Axle 8x40 (CL52E)	\$31.70
8	39667	Axle 8x50 (CL52E)	\$19.80
9	39668	Pusher Guide Assy (CL52E)	\$237.50
10	49221	* Exactitube W/Pusher CL52E & Up	\$53.00
11	39671	Magnet Holder Assy (CL52E)	\$82.70
12	39669	Veg. Pusher Assy (CL52E)	\$337.30
13	39660	Removable Wall (CL52E)	\$73.10
14	39670	Shouldered Rings 18x25(Qty 2) CL52E	\$16.90
15	29706	(M)Pusher Stop Assy	\$26.60
16	117321S	ANTI-FRICTION STOP	\$5.10
17	39705	Shouldered Rings (2) (CL50E)	\$22.20
18	29692	(M)Cabbage Plate Lock Nut	\$139.40
19	117200S	LOCKING NUT WASHER	\$5.10
20	29501	(K)Lock for Feed Cover	\$166.10
21	118420S	(Q) Discharge Vane CL60D	\$72.80
22	49527	Gouge Wrench R502G-R502VVG-R752-R752VV	\$29.10
23	39706	Motor Support/Chute (CL50E)	\$1,097.20
24	29061	Hinge Pin	\$46.00
25	118430	(L)Base Cover	\$499.10
26	118443	(M)Base Cover	\$177.20
27	39276	GREY FEET ASSEMBLY D 30 (X4)	\$19.10
28	507341S	Belt (CL50E) 450mm	\$114.90
29	39674	Transmission Support Assy (CL52E/CL55E)	\$565.10
30	105529S	Driven Pulley (CL50E)	\$66.40
31	510218S	Locking Pin (CL50E)	\$8.70
32	105531S	Motor Support (CL50E)	\$78.20
33	39675	Transmission Shaft Assy. (CL55E)	\$341.00
34	110308S	Shaft Pin	\$8.00
35	203015S	Key	\$3.10

Index	Reference	Article	Pricings
36	101547	Deflector, CL50D	\$9.50
37	501678S	(M) Seal 24x42x7	\$24.90
38	39709	Bearing Assy (CL50E)	\$422.50
39	203068S	C-Ring EXT 25 (CL50E)	\$17.50
40	510217S	Bearing 60042RS (CL50E)	\$35.90
41	203206S	C-Ring INT 42 (CL50E)	\$3.40
42	102690S	* (K)Discharge Plate	\$37.20
43	129451S	SAFETY SWITCH 87-53 1A66 CUTTER	\$46.70
44	29533	(K)Mount Spacer for Control Board	\$40.40
45	29903	Fixing Key (X2)	\$18.50
46	403995	Front Data Plate (CL52E)	\$30.20
47	502170S	(K)On Button (Green)	\$41.60
48	502169S	(K)Off Button (Red)	\$42.30
49	501270S	LOWER MOTOR BEARING	\$60.80
50	29530	(K)Motor Pulley	\$183.90
51	104925S	Fan, CL52E	\$20.40
52	303236S	Motor (CL52E)	\$642.30
53	501683	(B) Start Relay, R2Dice	\$65.80
54	507502	Run Capacitor 60mf 250v(CL52E)	\$99.30
55	501599	(L) Capacitor	\$110.70
56	102481S	Control Board (CL50E)	\$156.60
57	118442S	Circuit Breaker, Blixer4V	\$29.30
58	29156	Plate Locking Nut (long)	\$206.20
59	117200S	LOCKING NUT WASHER	\$5.10
60	106268S	Bearing W/Bracket (Blixer3 D)	\$161.80
61	27258	* Plate Rack (Individual)	\$31.00
62	101230	* Plate Rack (wall mount)	\$158.00
63	R255	* Plate Rack	\$23.00
64	R199	* Robo-Cart	\$752.00
65	507122	(M)Cord Strain Relief	\$5.20
66	507129	Power Cord (CL50E)	\$35.50
67	39313	(G) Power Cord (Blixer4)	\$40.60
68	49257	Motor Cleaning Brush Assy	\$40.00