

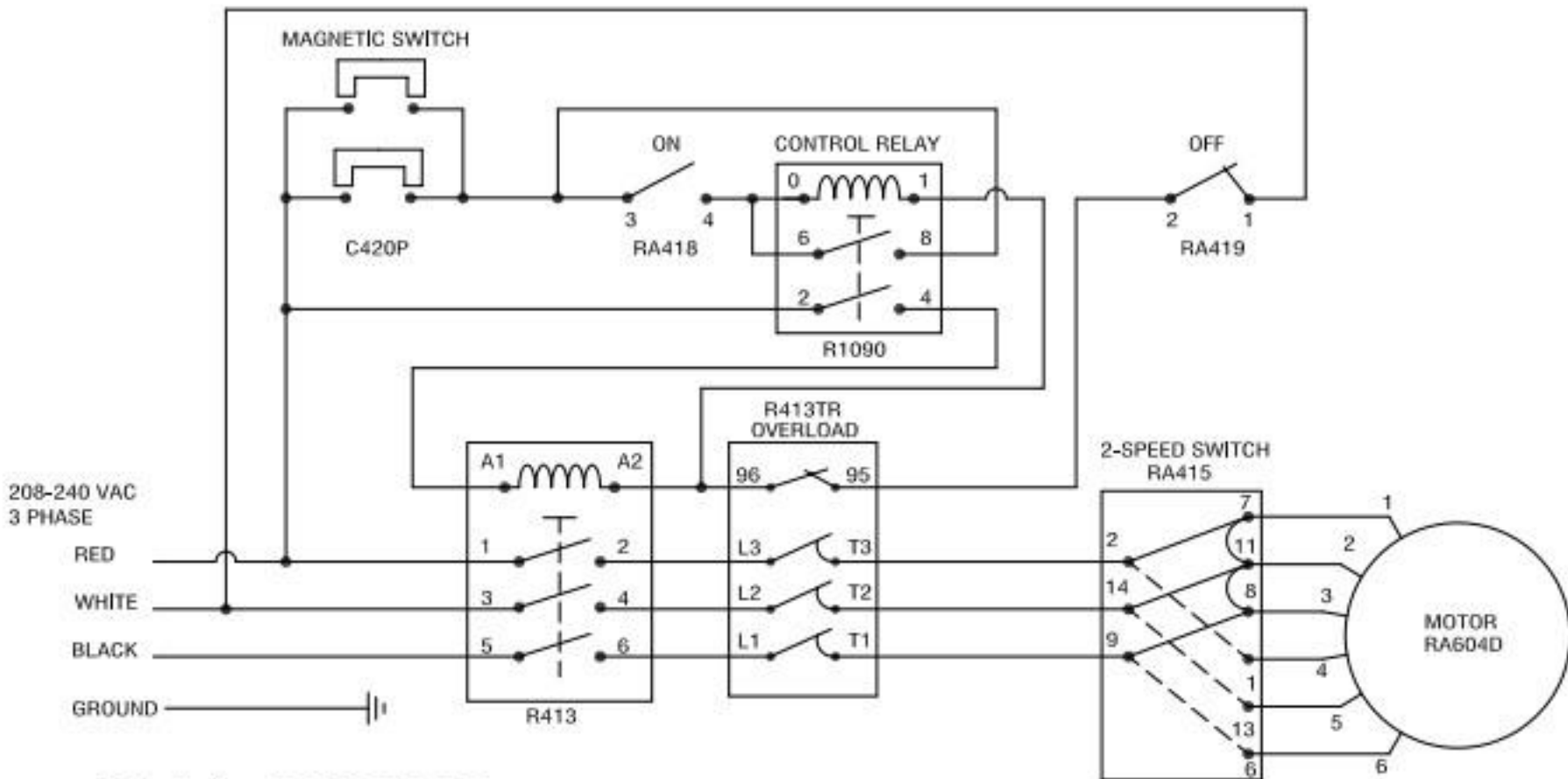
## Models R4N & R6N Wiring Diagram

USA Machines with Metal Base

220V, 3 Ph, 850/1725 RPM, .5/1.0 HP, 3.2/3.0 Amps

HIGH ———  
 LOW ———  
 CORRECT ROTATION  
 IS COUNTERCLOCKWISE  
 BOTH HIGH AND LOW SPEEDS

SPEED CONNECTIONS	
LOW	HIGH
SWITCH - MOTOR	SWITCH - MOTOR
7 - 1	1 - 4
11 - 2	13 - 5
8 - 3	6 - 6



## Models R4N & R6N Wiring Diagram

Canadian with Metal Base

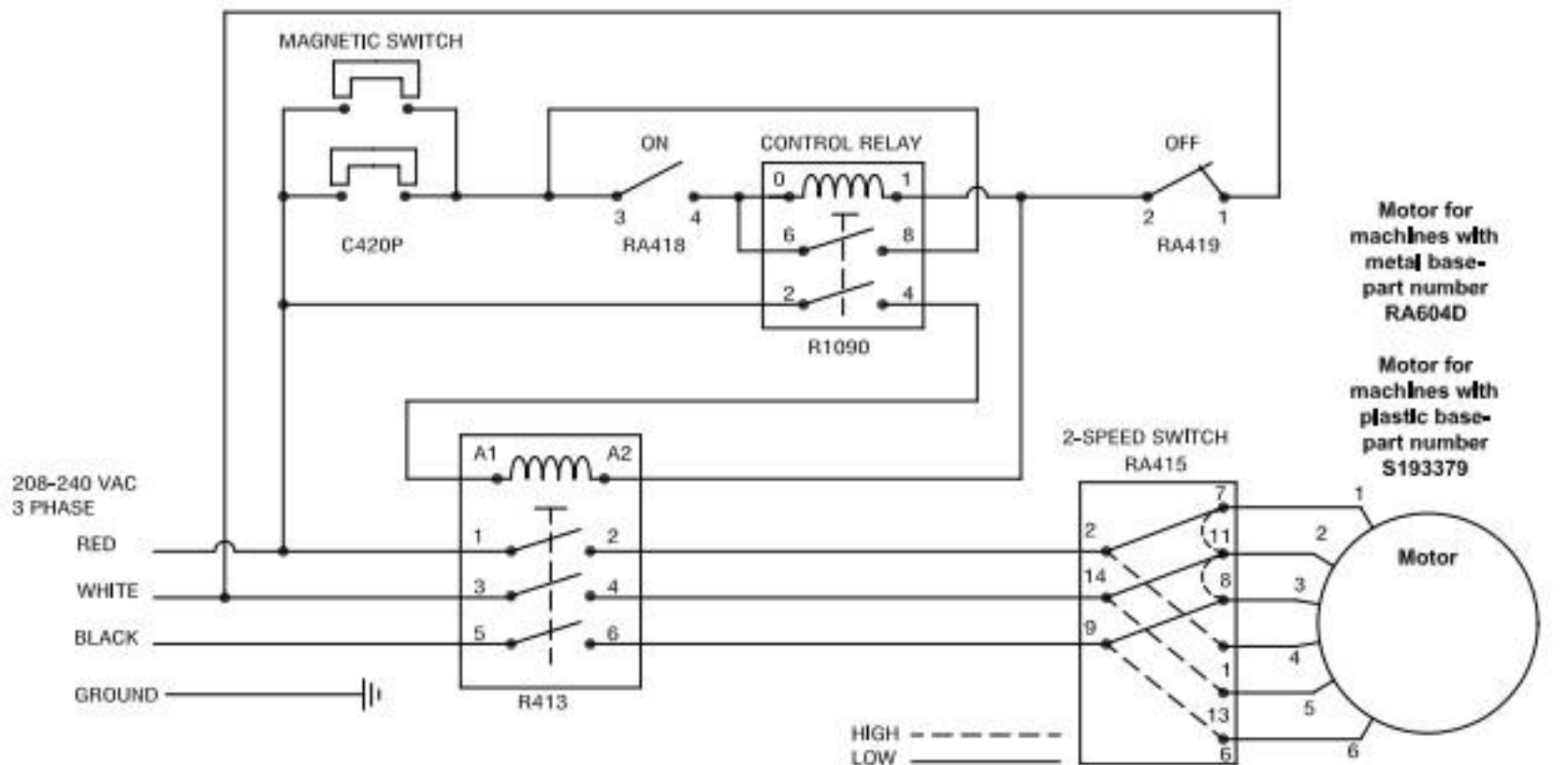
220V, 3 Ph, 850/1725 RPM, .5/1.0 HP, 3.2/3.0 Amps

HIGH - - - - -

LOW - - - - -

CORRECT ROTATION  
IS COUNTERCLOCKWISE  
BOTH HIGH AND LOW SPEEDS

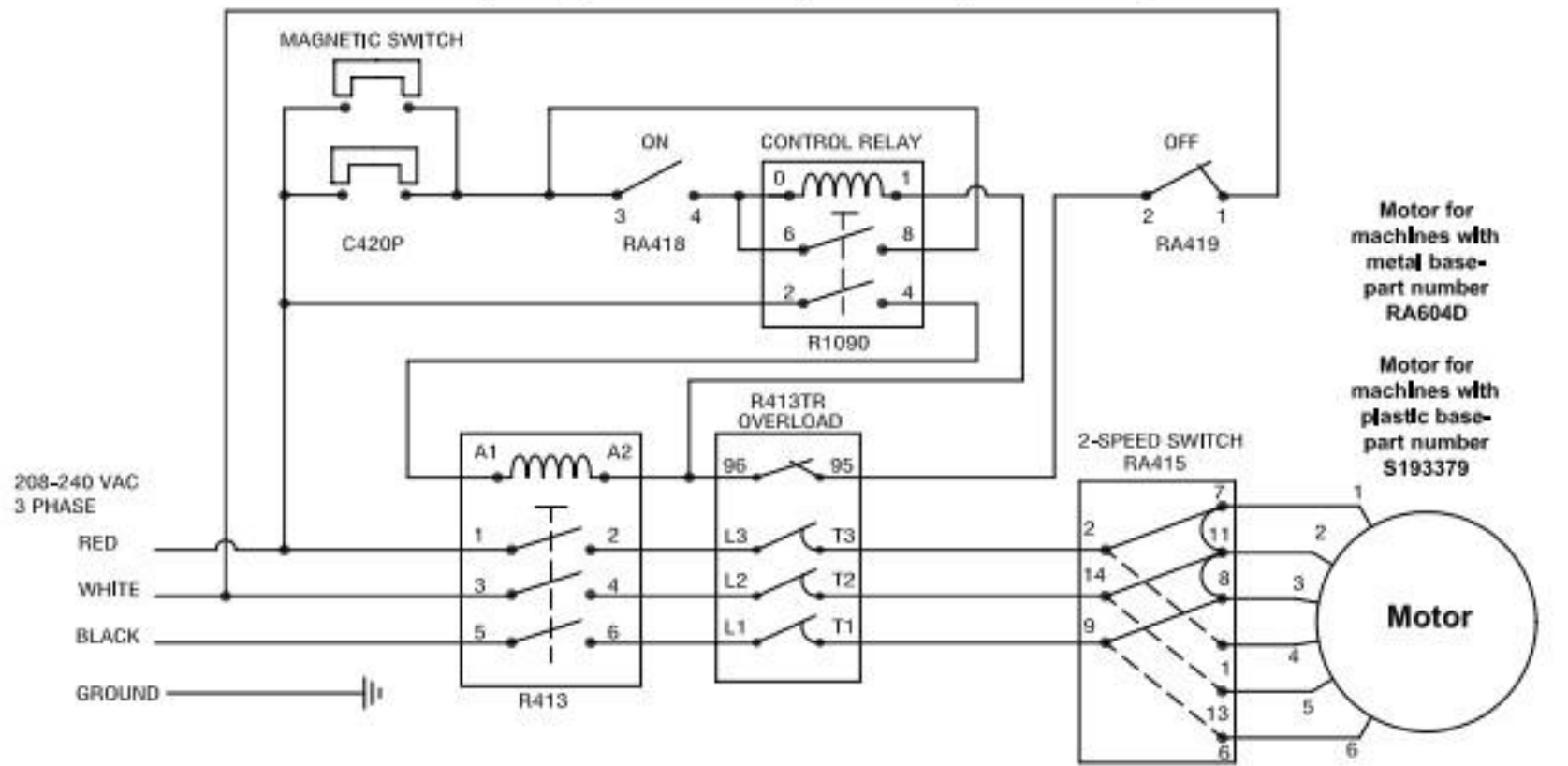
SPEED CONNECTIONS	
LOW	HIGH
SWITCH - MOTOR	SWITCH - MOTOR
7 - 1	1 - 4
11 - 2	13 - 5
8 - 3	6 - 6



Motor for  
machines with  
metal base-  
part number  
RA604D

Motor for  
machines with  
plastic base-  
part number  
S193379

SPEED CONNECTIONS	
LOW	HIGH
SWITCH - MOTOR	SWITCH - MOTOR
7 - 1	1 - 4
11 - 2	13 - 5
8 - 3	6 - 6



Motor for machines with metal base-part number RA604D

Motor for machines with plastic base-part number S193379

HIGH - - - - -  
LOW —————  
CORRECT ROTATION IS COUNTERCLOCKWISE  
BOTH HIGH AND LOW SPEEDS

SPEED CONNECTIONS	
LOW	HIGH
SWITCH - MOTOR	SWITCH - MOTOR
7 - 1	1 - 4
11 - 2	13 - 5
8 - 3	6 - 6