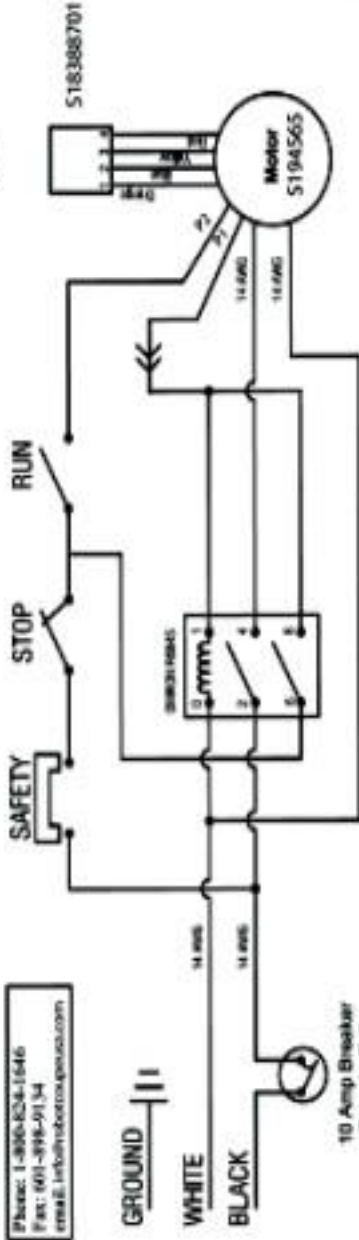


120V, 1 Ph, 850 RPM, 7.4 Amps

Phone: 1-800-824-1646
Fax: (601)-398-9134
email: info@hybotec.com

External Start
Relay



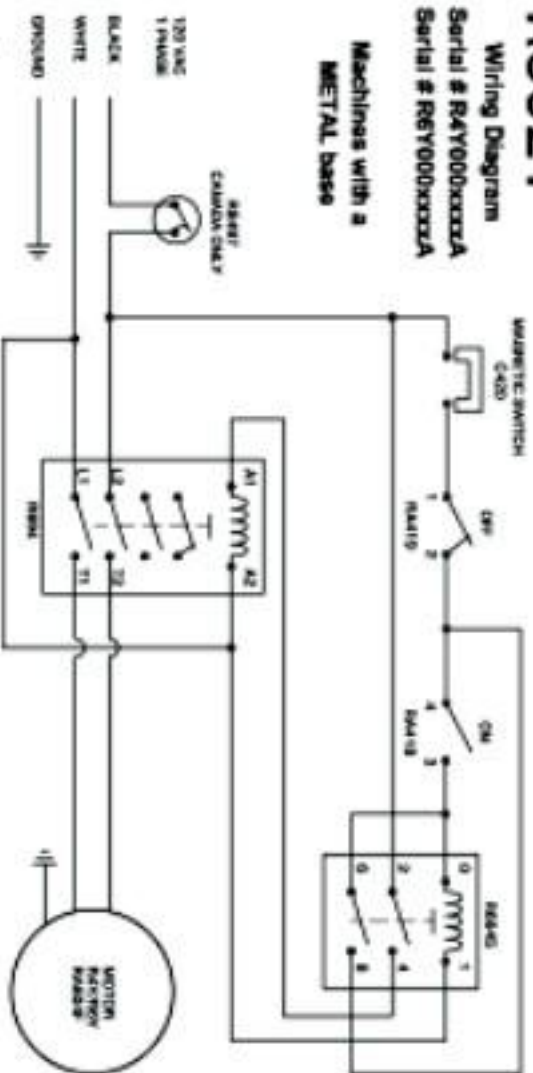
R602Y

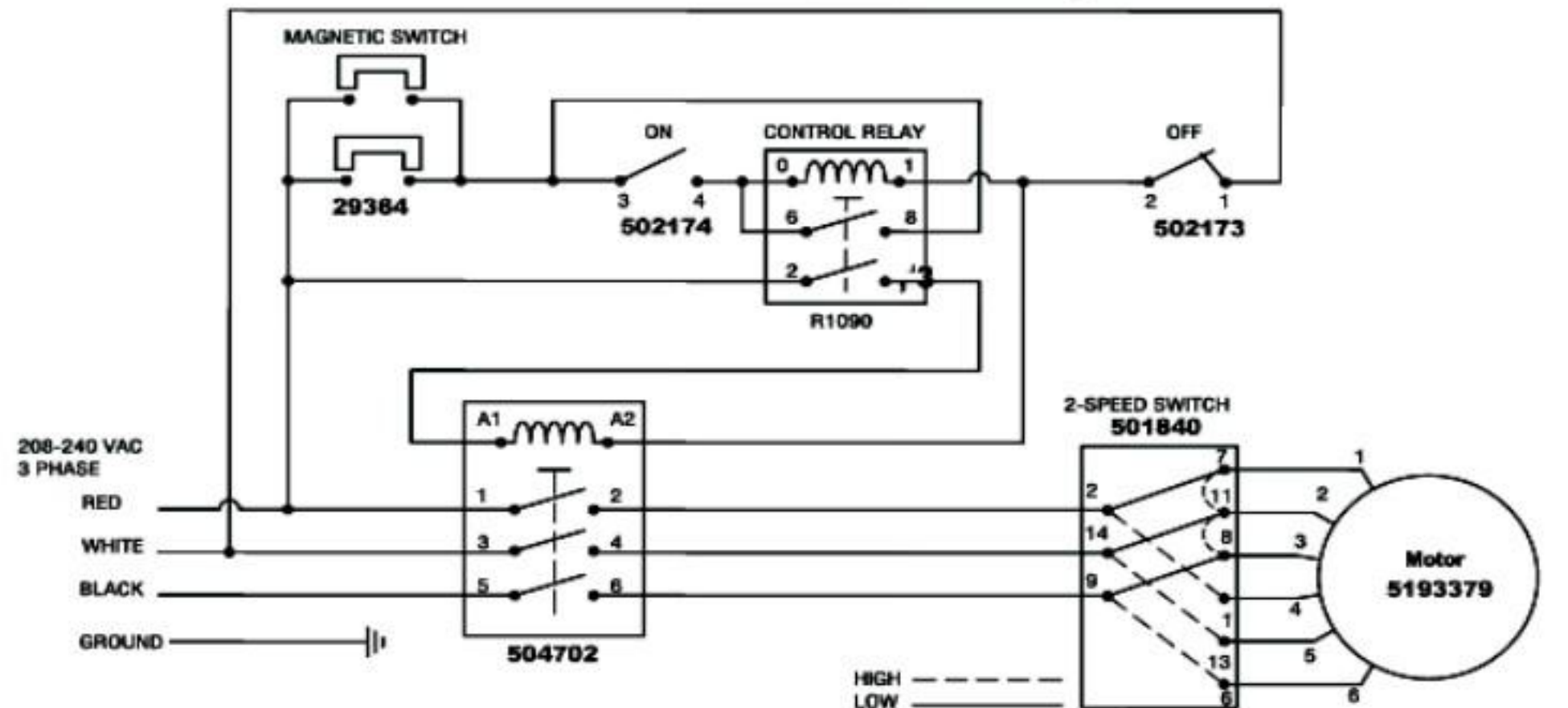
Wiring Diagram

Serial # R4Y000XXXXA

Serial # R6Y000XXXXA

Machines with a
METAL base

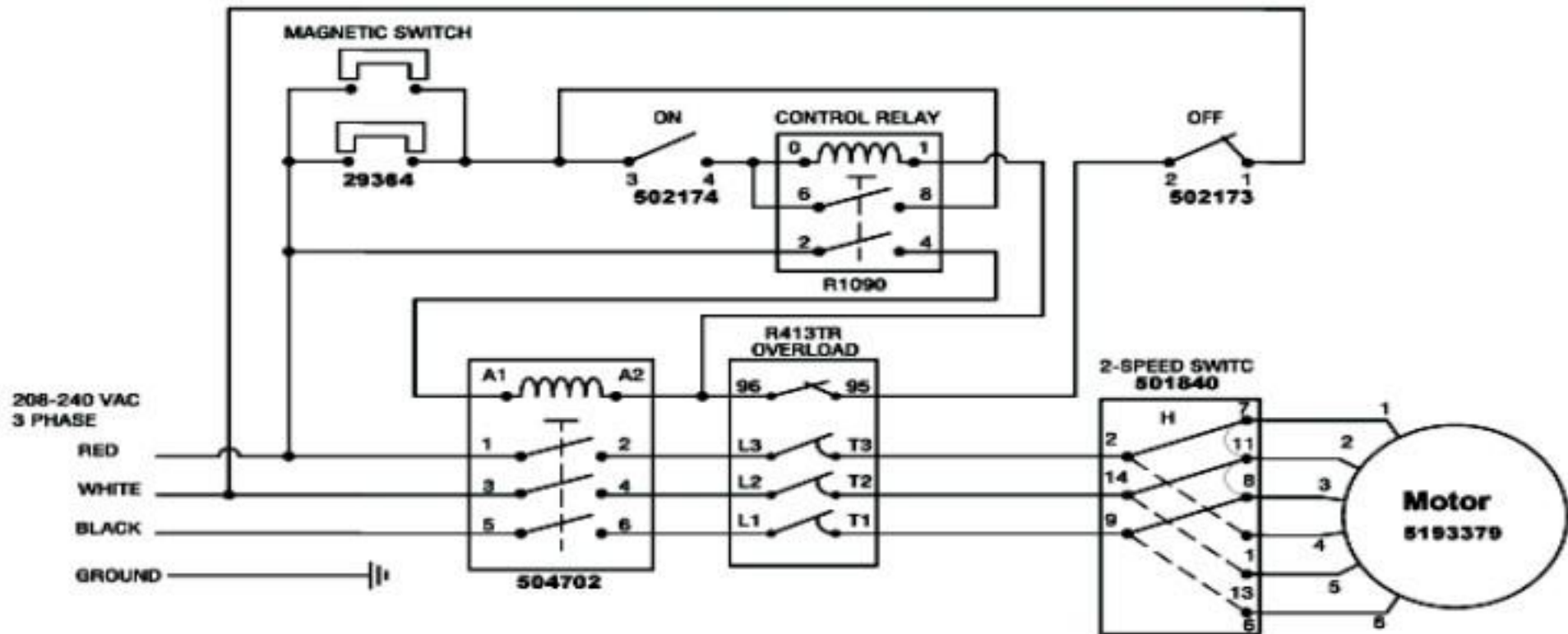




HIGH -----
 LOW _____

CORRECT ROTATION
 IS COUNTERCLOCKWISE
 BOTH HIGH AND LOW SPEEDS

SPEED CONNECTIONS	
LOW	HIGH
SWITCH - MOTOR	SWITCH - MOTOR
7 - 1	1 - 4
11 - 2	13 - 5
8 - 3	6 - 6



HIGH - - - - -
LOW - - - - -

CORRECT ROTATION
IS COUNTERCLOCKWISE
BOTH HIGH AND LOW SPEEDS

SPEED CONNECTIONS	
LOW	HIGH
SWITCH - MOTOR	SWITCH - MOTOR
7 - 1	1 - 4
11 - 2	13 - 5
8 - 3	6 - 6