

MANUFACTURING

NUMBERS:

9210108

roundup

by A.J. Antunes & Co. ®

VERTICAL CONTACT TOASTER

With Mechanical Driven Butter Wheel Model
VCT-2000



P/N 1010794 Rev. D 04/12
Sonic



Owner's Manual

TABLE OF CONTENTS

Owner Information.....	2	Operation.....	8
General.....	2	Operating Instructions	8
Warranty Information.....	2	Temperature Adjustments	8
Service/Technical Assistance	3	Safety Features.....	10
Important Safety Information	4	Fault Messages.....	10
Specifications	5	Maintenance	11
Electrical Ratings.....	5	Daily	11
Electrical Cord & Plug Configurations.....	5	Replacing the Black and Silver Release Sheet	12
Dimensions.....	5	Replacing the Belt Wraps.....	12
Model Designation	5	Checking the Conveyor Belt Chains	13
Installation.....	6	Checking the Roller Tensioners	14
Unpacking	6	Troubleshooting	15
Equipment Setup.....	6	Replacement Parts	19
Assembling the Unit	6	Wiring Diagram	24
		Notes.....	25
		Limited Warranty	Back Cover

OWNER INFORMATION

General

The Vertical Contact Toaster Model VCT-2000 is designed for contact toasting of buns. The toaster design allows the operator to place buns on both sides of the heated platen at the same time. Buns are placed into the top of the toaster and uniform, golden brown, warm buns are then retrieved at the base of the toaster.

This manual provides the safety, installation, and operating procedures for the Vertical Contact Toaster Model VCT-2000. We recommend that all information contained in this manual be read prior to installing and operating the unit.

Your Vertical Contact Toaster Model VCT-2000 is manufactured from the finest materials available and assembled to Roundup’s strict quality standards. This unit has been tested at the factory to ensure dependable trouble-free operation.

Warranty Information

Please read the full text of the Limited Warranty in this manual.

If the unit arrives damaged, contact the carrier immediately and file a damage claim with them. Save all packing materials when filing a claim. Freight damage claims are the responsibility of the purchaser and are NOT covered under warranty.

The warranty does NOT extend to:

- Damages caused in shipment or damage as result of improper use.
- Installation of electrical service.
- Normal maintenance as outlined in this manual.
- Malfunction resulting from improper maintenance.
- Damage caused by abuse or careless handling.
- Damage from moisture into electrical components.
- Damage from tampering with, removal of, or changing any preset control or safety device.

IMPORTANT! Keep these instructions for future reference. If the unit changes ownership, be sure this manual accompanies the equipment.

OWNER INFORMATION (continued)

Service/Technical Assistance

If you experience any problems with the installation or operation of your unit, contact your local Roundup Authorized Service Agency.

Fill in the information below and have it handy when calling your Authorized Service Agency for assistance. The serial number is on the specification plate located on the rear of the unit.

Purchased From: _____

Date of Purchase: _____

Model No.: _____

Serial No.: _____

Mfg. No.: _____

Refer to the service agency directory included with your unit.

Authorized Service Agency

Name: _____

Phone No.: _____

Address: _____

Use only genuine Roundup replacement parts in this unit. Use of replacement parts other than those supplied by the manufacturer will void the warranty. Your Authorized Service Agency has been factory trained and has a complete supply of parts for this toaster.

You may also contact the factory at **1-877-392-7854** (toll Free in the U.S.) or **630-784-1000** if you have trouble locating your nearest Authorized Service Agency.

IMPORTANT

A.J. Antunes & Co. reserves the right to change specifications and product design without notice. Such revisions do not entitle the buyer to corresponding changes, improvements, additions or replacements for previously purchased equipment.

IMPORTANT SAFETY INFORMATION

In addition to the warnings and cautions in this manual, use the following guidelines for safe operation of the unit.

- Read all instructions before using equipment.
- For your safety, the equipment is furnished with a properly grounded cord connector. Do NOT attempt to defeat the grounded connector.
- Install or locate the equipment only for its intended use as described in this manual. Do NOT use corrosive chemicals in this equipment.
- Do NOT operate this equipment if it has a damaged cord or plug, if it is not working properly, or if it has been damaged or dropped.
- This equipment should be serviced by qualified personnel only. Contact the nearest Authorized Service Agency for adjustment or repair.
- Do NOT block or cover any openings on the unit.
- Do NOT immerse cord or plug in water.
- Keep cord away from heated surfaces.
- Do NOT allow cord to hang over edge of table or counter.

The following warnings and cautions appear throughout this manual and should be carefully observed.

- Turn the power off, unplug the power cord, and allow the unit to cool down before performing any service or maintenance.
- The toaster should be grounded according to local electrical codes to prevent the possibility of electrical shock. It requires a grounded receptacle with separate electrical lines protected by fuses or a circuit breaker of the proper rating.

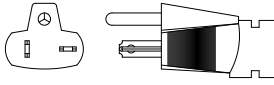
- Bread may burn. Therefore toasters must not be used near or below curtains or other combustible walls and materials. Failure to maintain safe operating distances may cause discoloration or combustion.
- When installing conveyor belt wrap, be careful not to wrap it over the upper and lower support rods or permanent damage to belt will occur. Make sure belt wrap is positioned UNDER the upper and lower support rods.
- Make sure both ends of belt wrap are aligned evenly before installing belt wrap pin.
- Failure to use release sheets may result in damage to the equipment and loss of warranty coverage.
- Do NOT clean this appliance with a water jet.
- If supply cord is damaged, it must be replaced by the manufacturer, its service agent, or a similarly qualified person.
- All electrical connections must be in accordance with local electrical codes and any other applicable codes.
- **WARNING, ELECTRICAL SHOCK HAZARD. FAILURE TO FOLLOW THESE INSTRUCTIONS COULD RESULT IN SERIOUS INJURY OR DEATH.**
 - Electrical ground is required on this appliance.
 - Do NOT modify the power cord plug. If it does not fit the outlet, have a proper outlet installed by a qualified electrician.
 - Do NOT use an extension cord with this appliance.
 - Check with a qualified electrician if you are unsure if the unit is properly grounded.

SPECIFICATIONS

Electrical Ratings

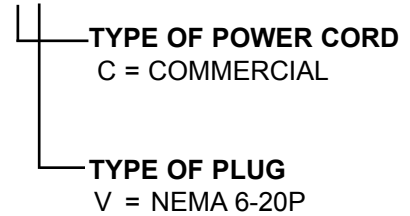
Model & Mfg. No.	Volts	Watts	Amp.	Hertz
VCT-1000CV 9210108	208	3291	15.8	50/60

Electrical Cord & Plug Configurations

Model & Mfg. No.	Description	Configuration
VCT-1000CV 9210108	NEMA 6-20P 20 Amp, 250 VAC Non-Locking (Assembly Only)	

Model Designation

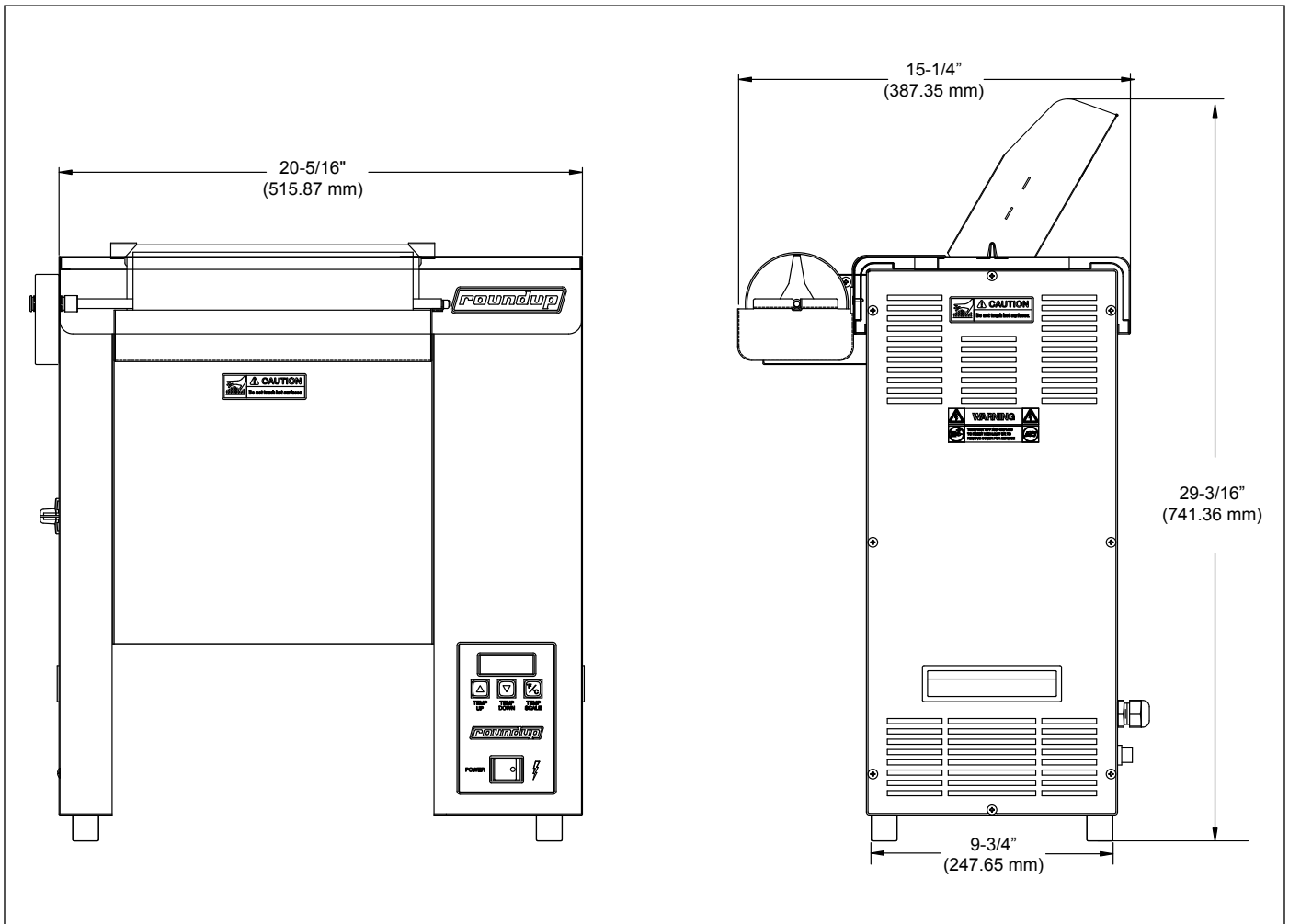
VCT-1000XX



⚠ CAUTION ⚠

All electrical connections must be in accordance with local electrical codes and any other applicable codes.

Dimensions



INSTALLATION

Unpacking

1. Remove unit and all packing materials from shipping carton.
2. Open the included large box. It should contain the following:
 - Bun Chute (Figure 1)
 - Butter Wheel and Pan (Figure 1)
 - Two Release Sheets (Figure 1)
 - Owner's Manual
 - Maintenance Card
 - Authorized Service Agency Directory
3. Remove all shipping tape and protective coverings from the unit and parts.

NOTE: If any parts are missing or damaged, contact A.J Antunes & Co. IMMEDIATELY at 800-253-2991 (toll free in the U.S.) or 630-784-1000.

Equipment Setup

Before placing the toaster into service, pay attention to the following guidelines:

- Make sure power to the unit is off and the toaster is at room temperature.
- Do NOT block or cover any openings on the unit.
- Do NOT immerse cord or plug in water.
- Keep cord away from heated surfaces.
- Do NOT allow cord to hang over edge of table or counter.
- Connect the unit to the proper power supply. Refer to the specification plate for the proper voltage.

⚠ CAUTION ⚠

All electrical connections must be in accordance with local electrical codes and any other applicable codes.

Assembling the Unit

NOTE: Units are shipped with a Release Sheet pre-installed over the Platen (Figure 1). Verify that the Release Sheet is properly in place before proceeding.

1. Remove Bun Chute from the box and install (Figure 1).
2. Remove Butter Wheel and Pan from box. Install the Pan over the front edge of the Heat Shield and place the Butter Roller in Pan and engage in to gear case (Figure 1).

IMPORTANT: Make sure Heat Shield assembly is activating the Conveyor Interlock Switch (Figure 1). The conveyors will not rotate unless the Heat Shield is in place and interlock switch is activated.

⚠ CAUTION ⚠

Failure to use Release Sheets may result in damage to the unit and loss of warranty coverage.

⚠ WARNING ⚠

ELECTRICAL SHOCK HAZARD. FAILURE TO FOLLOW THE INSTRUCTIONS IN THIS MANUAL COULD RESULT IN SERIOUS INJURY OR DEATH.

- Electrical ground is required on this appliance.
- Do NOT modify the power supply cord plug. If it does not fit the outlet, have a proper outlet installed by a qualified electrician.
- Do NOT use an extension cord with this appliance.
- The toaster should be grounded according to local electrical codes to prevent the possibility of electrical shock. It requires a grounded receptacle with separate electrical lines protected by fuses or a circuit breaker of the proper rating.
- Check with a qualified electrician if you are unsure if the appliance is properly grounded.

INSTALLATION

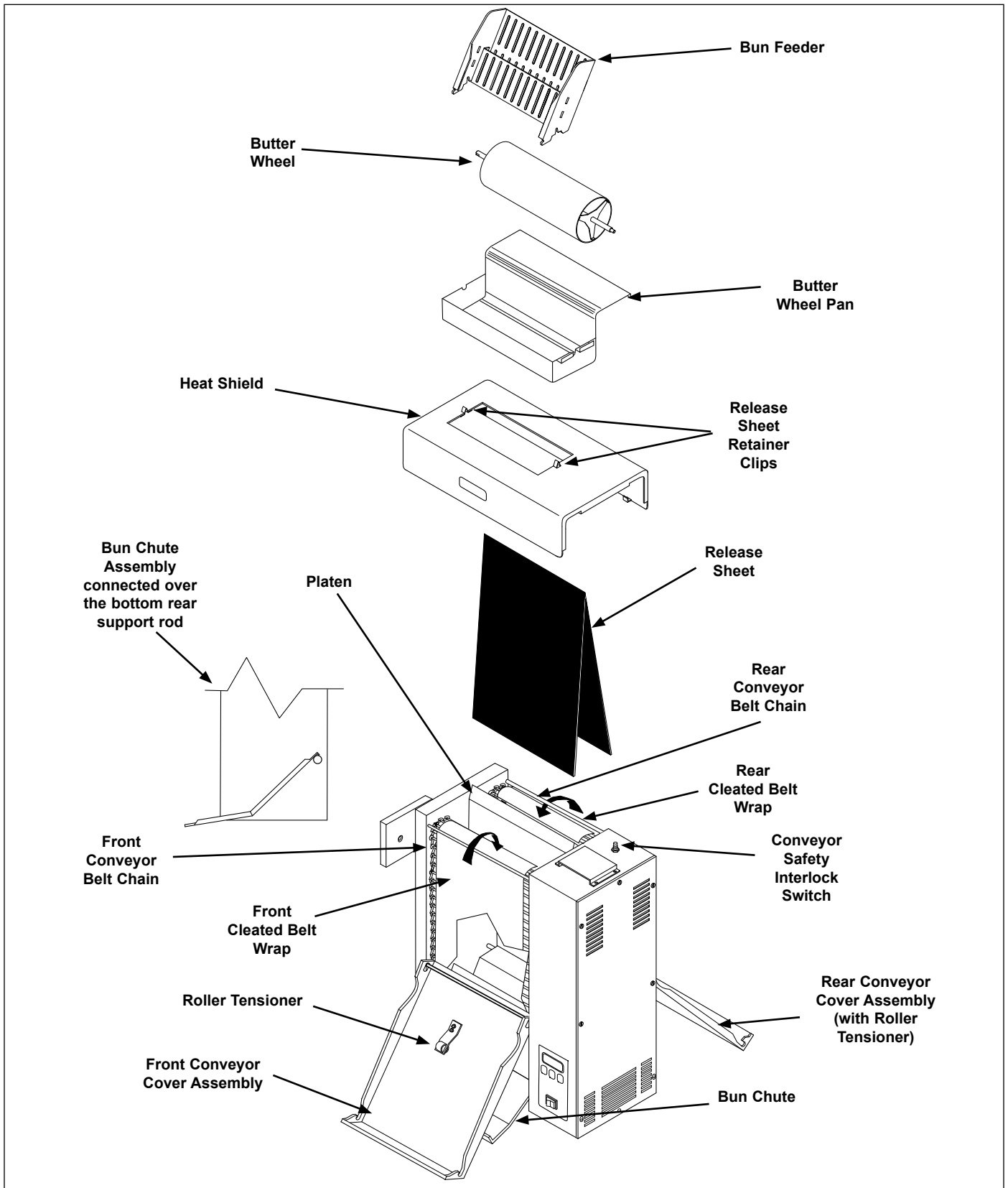


Figure 1. VCT-2000 Toaster Components

OPERATION

⚠ IMPORTANT ⚠

Verify that the Release Sheet is installed completely over the Platen (Figure 1) before proceeding. Failure to use Release Sheet may cause permanent damage to the Platen surface. Damage caused in this manner is NOT covered by warranty.

Operating Instructions

1. Set the Bun Thickness Adjustment Controls (Figure 3) to desired setting.

NOTE: Recommended settings are #2 for heel and #6 for crown.

2. Turn the power on and allow the toaster to warm-up for 30 minutes before proceeding.

NOTE: The Temperature Display (Figure 2) will flash "LO" until the toaster reaches its preset operating temperature. When the toaster approaches the preset temperature of 600°F (315°C), "USE" appears in the Temperature Display and the unit is ready to toast buns. If "USE" does not appear in the window after warm-up period of approximately 30 minutes, refer to the Troubleshooting section.

3. Slide buns across the rotating Butter Wheel with the cut face down and drop buns into the Bun Feeder (Figure 2). The cut sides of heel and crown must face each other and slide against the Release Sheet.
4. Toasted buns will drop into the Bun Landing Area (Figure 2) in approximately 15 seconds.
5. Test at least 4 buns before putting the toaster into service.
6. Turn the power when finished toasting for the day and proceed with the **daily cleaning** as outlined in the Maintenance section of this manual.

Temperature Adjustments

The VCT-2000 uses a Platen Heater and two Auxiliary Air Heaters. The Platen Heater consists of a heating element built into the Platen to toast the cut side of the bun. The two Auxiliary Air Heaters assist in providing additional heat to the buns. The first Auxiliary Air Heater is located within the conveyor in the front of the toaster. The second Auxiliary Air Heater is located within the conveyor at the rear of the unit.

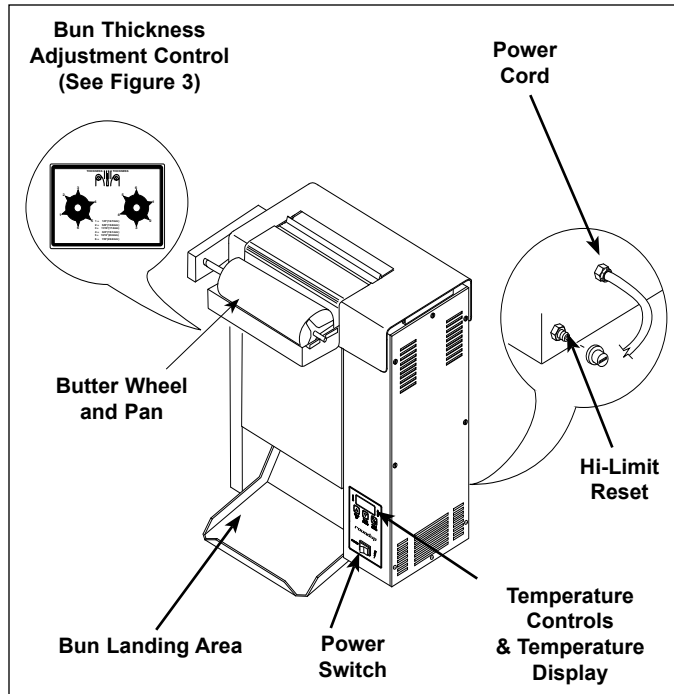


Figure 2. VCT-2000 Toaster

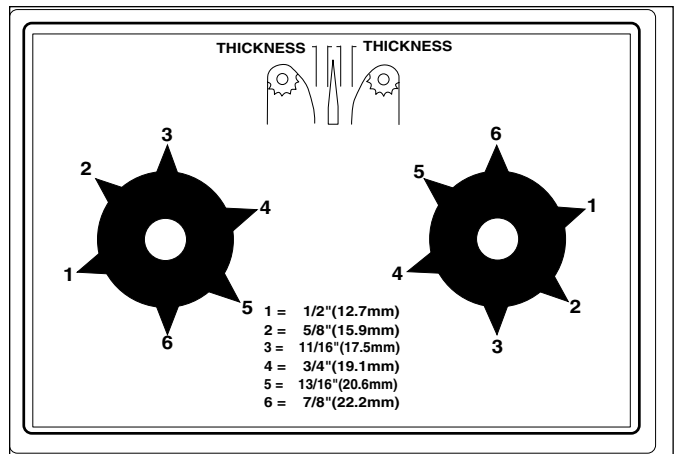


Figure 3. Bun Thickness Adjustment Controls

RECOMMENDED TEMPERATURES

Recommended temperature setting for the platen heater is 600°F (315°C).

Recommended temperature setting for the auxiliary heaters is 400°F (204°C).

NOTE: The toaster is tested and shipped with the heaters set at the above recommended temperatures.

OPERATION (continued)

TEMPERATURE CONTROL PANEL

NOTE: The term “setpoint temperature” refers to the desired temperature setting.

To display the actual Platen temperature—providing it is over 440°F (227°C)—press the **TEMP UP** button.

To display the actual Auxiliary Air Heater temperature—providing it is over 360°F (182°C)—press the **TEMP DOWN** button.

To switch the temperature display between Fahrenheit (°F) and Celsius (°C), press and hold the **TEMP SCALE** button for 5 seconds.

PLATEN HEATER TEMPERATURE ADJUSTMENT

1. Turn the power on and wait for the Temperature Display to finish the power up sequence (Figure 4).
2. Press and hold both the **TEMP UP** and **TEMP DOWN** buttons for over 1 second until the display flashes the Platen setpoint temperature, then release.
3. Press the **TEMP UP** button to raise the setpoint temperature or press the **TEMP DOWN** button to lower the setpoint temperature.

NOTE: The maximum Platen Setpoint Temperature is 600°F (315°C).

NOTE: If no change in temperature is made within 5 seconds, the display reverts back to the previous setpoint.

4. Release the button when the desired setpoint temperature is displayed.

AUXILIARY AIR HEATER TEMPERATURE ADJUSTMENT

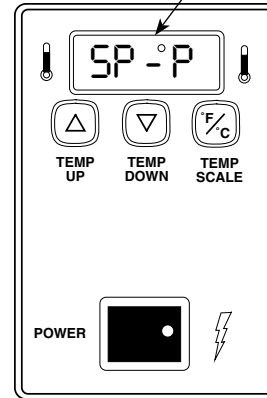
1. Turn the power on and wait for Temperature Display to finish the power up sequence (Figure 4).
2. Press and hold the **TEMP UP** and **TEMP SCALE** buttons for over 1 second until the display flashes the setpoint temperature, then release.
3. Press the **TEMP UP** button to raise the setpoint temperature or press the **TEMP DOWN** button to lower the setpoint temperature.

NOTE: The maximum Auxiliary Air Heater Setpoint Temperature is 400°F (204°C).

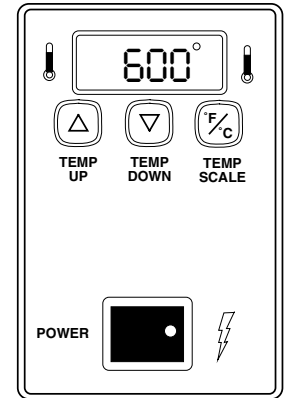
4. Release the button when the desired setpoint is displayed.

NOTE: If no change in temperature is made within 5 seconds, the display reverts back to the previous setpoint.

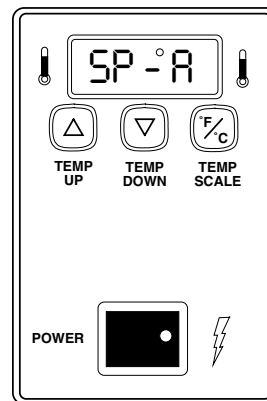
“Heat On” LED will blink on/off during warm-up and when either platen or auxiliary air heaters are calling for heat.



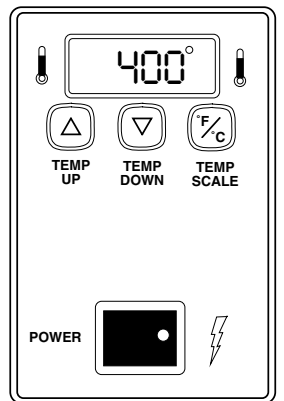
1. SP-P (Setpoint Platen) is displayed



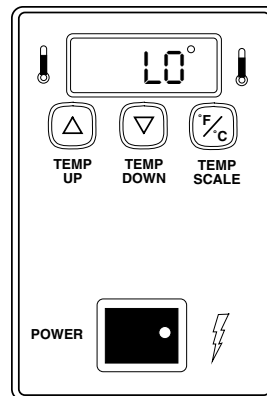
2. Current Platen Setpoint Temperature setting is shown



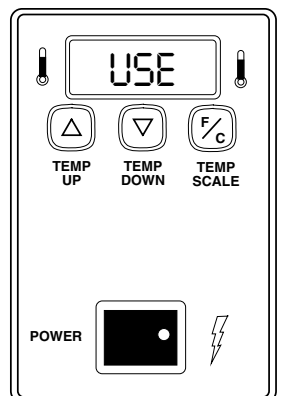
3. SP-A (Setpoint Auxiliary) is displayed



4. Current Auxiliary Air Setpoint Temperature is shown



5. “LO” is displayed until platen temperature rises above 550°F (288°C)



6. USE is displayed when Platen Setpoint Temperature is reached

Figure 4. Temperature Power Up Sequence

OPERATION (continued)

Safety Features

HI-LIMIT RESET BUTTON

A Hi-Limit Control turns off electrical power to the heater and control circuits if the unit overheats. To reset the control, allow 10-15 minutes for the unit to cool, then locate the Reset Button at the rear of the unit. Remove the black protective cap, press the Reset Button, and reinstall the protective cap (Figure 2).

NOTE: If the Hi-Limit requires continuous resetting, contact your Authorized Service Agency.

Fault Messages

The Control Display will flash fault messages when there is a problem with the unit.

“HI” will flash if the platen temperature exceeds 620°F (327°C) or if the platen thermocouple is disconnected or open.

“HI” and “USE” will flash (Figure 5) if the auxiliary heater’s temperature exceeds 440°F (227°C) or if the auxiliary thermocouple is disconnected or open.

“CHEC” will flash (Figure 6) when the control compartment ambient temperature is excessive: 140°F (60°C) to 180°F (82°C). All heaters will shut off.

“PO” will flash (Figure 7) if the incoming power drops below 190 Volts. The toaster will shut down.

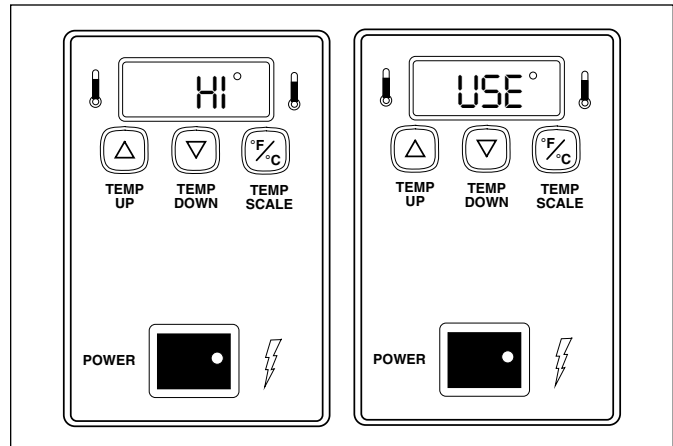


Figure 5. “HI” and “USE” Fault Message

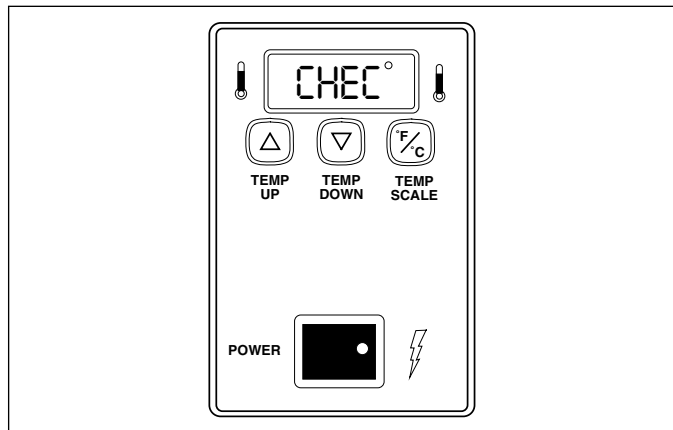


Figure 6. “CHEC” Fault Message

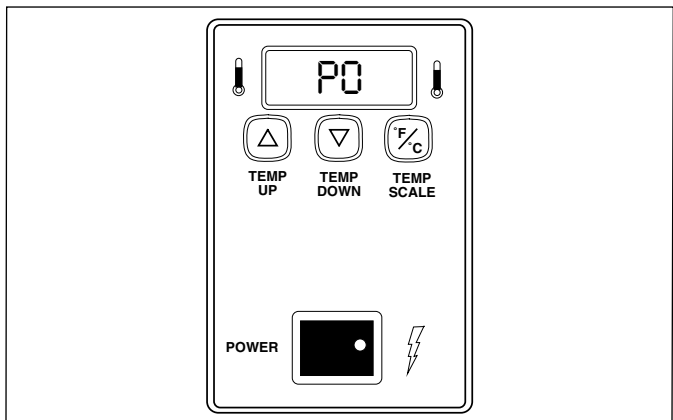


Figure 7. “PO” Fault Message

MAINTENANCE

⚠ WARNING ⚠

Turn the power off, unplug the power cord, and allow the unit to cool down 30 minutes before performing any service or maintenance.

⚠ CAUTION ⚠

To prevent damage to the unit, do NOT use abrasive cleaners on the release sheet or belt wrap.

⚠ CAUTION ⚠

Failure to use release sheets may result in damage to the unit and loss of warranty coverage.

Daily

NOTE: Pre-buttering/pre-oiling buns before feeding them into the toaster leads to butter/oil accumulation on the Release Sheet. This is normal, however excessive buildup can lead to buns sticking and burning. It is recommended that the Release Sheet be replaced or cleaned once for every 6 hours of operation. Dirty Release Sheets can be soaked in hot, soapy water for later cleaning. Continue to rotate Release Sheets, alternating between sides to maximize usage.

Tools Required:

- Heat-Resistant Gloves
 - Clean Towels
 - Sonic Approved Cleaner (supplied by SSDC)
 - Sanitizer Solution
1. Turn the power off, unplug the power cord, and clean the Release Sheet and Belt Wraps while they are warm.
 2. Put on heat-resistant gloves and remove the Butter Wheel, Pan, and Heat Shield (Figure 1).
 3. Wash the Butter Wheel, Pan, and Heat Shield in a sink and wipe them with a damp sanitized towel and allow them to air dry.
 4. Remove the Release Sheet and place it on a clean, flat dry surface.
 5. Wipe the silver side of the Release Sheet with a **clean** towel dampened with Sonic approved cleaner (supplied by SSDC) immediately followed by a second clean towel dampened with sanitizer and allow it to air dry before continuing.
 6. Once the silver side is dry, repeat Step 5 on the black side of the Release Sheet.

7. Open the front Conveyor Cover and firmly wipe the Belt Wrap from left to right and top to bottom with a clean towel dampened with Sonic approved cleaner (supplied by SSDC) immediately followed by a second clean towel dampened with sanitizer.
8. Close the front Conveyor Cover, open the rear Conveyor Cover, and clean the Belt Wrap as described in Step 7.
9. Close the rear Conveyor Cover. Reinstall the Heat Shield, plug in the power cord, turn the unit on, count 15 seconds, then turn the unit off and unplug the unit.
10. Open the rear Conveyor Cover again and clean the newly exposed section of the Belt Wrap in the same manner as before. Close the Conveyor Cover.
11. Open the front Conveyor Cover again and clean the newly exposed section of the Belt Wrap in the same manner as before.
12. Close the front Conveyor Cover and wipe down the outside of the toaster with a clean, damp, sanitized towel.
13. Install the Release Sheet by draping it over both sides of the Platen with the crease centered on the Platen.

NOTE: To prolong the life of the Release Sheet, rotate it from the black side to the silver side on a daily or weekly basis.

14. Install the Bun Chute so the hooks are installed over the lower rear yellow Support Rod.
15. Install the Heat Shield with the Release Sheet retainer clips securely over the Release Sheet and Platen.
16. Reinstall the Butter Wheel and Pan, and plug in the unit.

NOTE: Make sure the Heat Shield is activating the Conveyor Safety Interlock Switch. The conveyors will not rotate unless the Heat Shield is in place and the Conveyor Safety Interlock Switch is activated.

NOTE: Check the Release Sheet to make sure it is not caught in the Conveyor. Additional Release Sheets can be purchased through your Authorized Service Agency under P/N 7000249 (3-Pack) or 7000250 (10-Pack).

MAINTENANCE (continued)

Replacing the Black and Silver Release Sheet (Every 4–6 Weeks)

NOTE: Depending on toaster usage and on how well it is cleaned daily, the black and silver Release Sheet should last between 30–45 days.

1. Remove and discard the Release Sheet.
2. Lay a new Release Sheet on a clean, dry surface and fold it in half lengthwise and gently crease it at the fold using only your fingers (Figure 8).
3. Install the Release Sheet just as you would after Daily Cleaning.

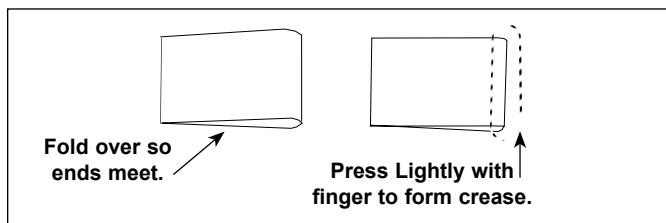


Figure 8. Folding the Release Sheet

Replacing the Belt Wraps (Every 3–6 Months)

NOTE: Depending on toaster usage and how well they are cleaned daily, the Belt Wraps should last between 3–6 months. Additional Belt Wraps may be purchased from your Authorized Service Agency.

1. Turn the power off, unplug the power cord, and allow the unit to cool before proceeding.
2. Remove the Butter Wheel, Pan, and Heat Shield (Figure 1) and set the Bun Thickness Compression Knobs to 6 & 6.
3. Open both Conveyor Covers and pull the Belt Wrap Pin out of the zipper (Figure 9).
4. Remove and discard the old Belt Wrap(s).
5. Clean both Conveyor Belt Chains just as you would clean the Belt Wraps during Daily Cleaning.
6. Install the new Belt Wraps around the Conveyor Belt Chains inside the yellow rods with the zipper flap exposed and hanging down (Figures 10 & 11).
7. Close the Conveyor Cover(s), set the Bun Thickness Compression Knobs back to their normal settings and reinstall the Heat Shield, Butter Wheel, and Pan.

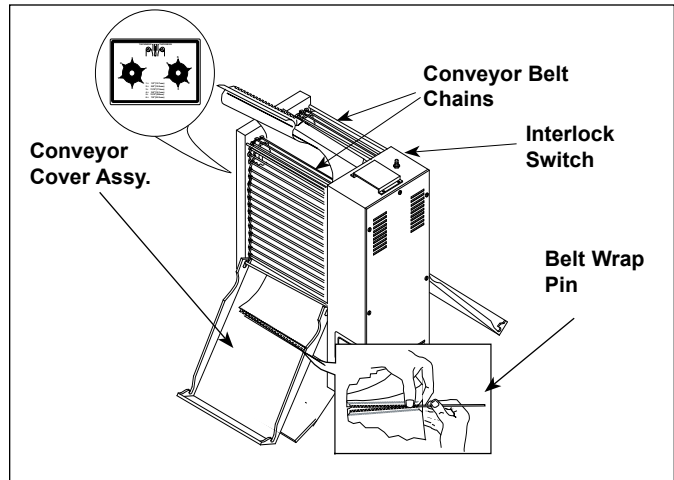


Figure 9. Removing Optional Belt Wrap

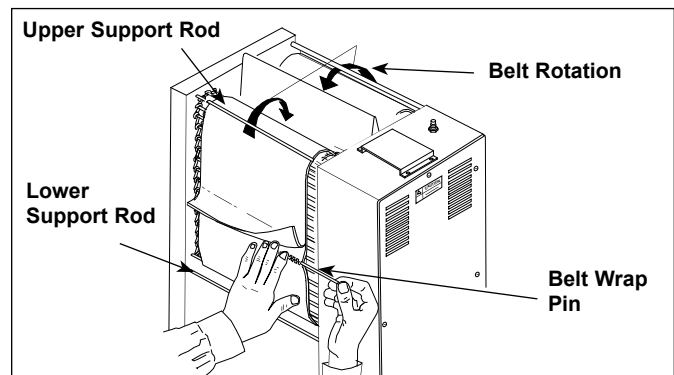


Figure 10. Installing Optional Belt Wrap

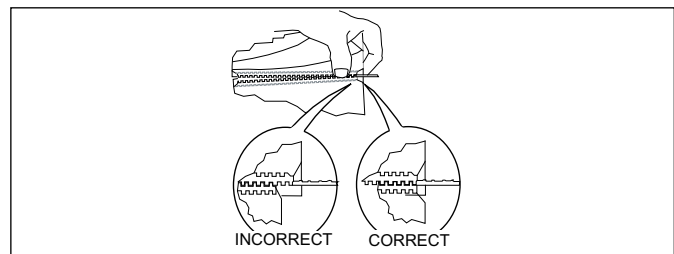


Figure 11. Aligning Belt Teeth

⚠ CAUTION ⚠

Align the ends of the Belt Wrap properly (Figure 7) or the Belt Wrap may be damaged.

⚠ CAUTION ⚠

Position the Belt Wrap UNDER the upper and lower yellow support rods or damage to the unit may occur.

MAINTENANCE (continued)

Checking the Conveyor Belt Chains (Every 3–6 Months)

NOTE: The Bun Thickness Compression Knobs (Figure 3) must be set to “6 & 6” prior to measuring or removing or reinstalling the Conveyor Belt Chains.

MEASURING CONVEYOR BELT CHAINS

1. Turn the unit off, unplug the power cord, and allow the unit to cool.
2. Remove the Bun Feeder, Butter Wheel, Pan, and Heat Shield (Figure 1) and set the Bun Thickness Compression Knobs to 6 & 6.
3. Open both Conveyor Covers and pull the Belt Wrap Pin out of the zipper (Figure 9).
4. Remove the Belt Wrap.
5. Facing the toaster, locate the approximate center-point of the Conveyor Chain.
6. Pull the Conveyor Chain away from the edge of the toaster (Figure 12).
7. Stand a U.S. Dime on end between the frame and the chain (Figure 12).
8. If the gap is significantly wider than the coin, REMOVE links as described below.
9. Disconnect the Conveyor Belt Chain by squeezing any two links together and unhooking both ends one link (Figure 13). Needle-nose pliers may be used.

NOTE: There are two small 1/2” links on each side of the Conveyor Belt Chain. The rest are large 3/4” links.

10. Remove one 1/2” link from the belt.
11. Reassemble the Conveyor Belt Chain onto the sprockets as described in Replacing Conveyor Belt Chains.
12. Measure the gap again to ensure it is not too tight.
13. Check the opposite side of the toaster using the same steps.

NOTE: If the Conveyor Belt Chain is too tight to be reassembled, remove an additional small 1/2” link and install a large 3/4” link in its place. This will shorten the Conveyor Belt Chain by 1/4” overall.

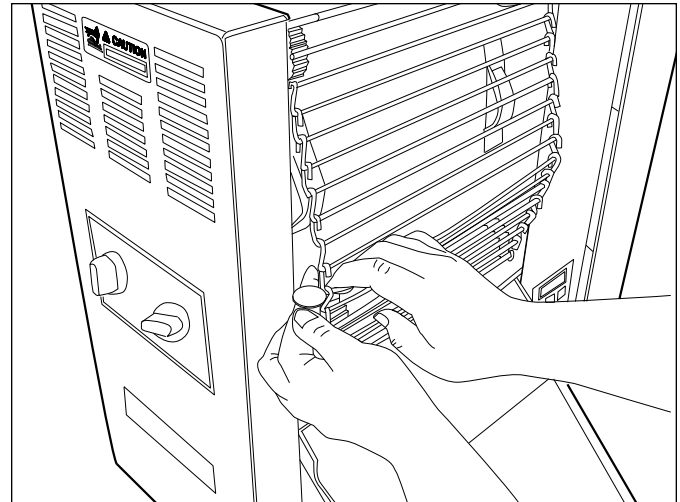


Figure 12. Measuring Conveyor Belt Chain

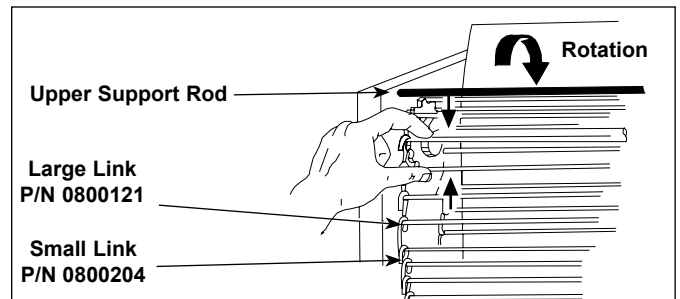


Figure 13. Removing Conveyor Belt Chain

REPLACING CONVEYOR BELT CHAINS

1. Turn the power off, unplug the power cord, and allow the unit to cool before proceeding.
2. Remove the Butter Wheel, Pan, and Heat Shield and set the Compression Control Knobs to 6 & 6.
3. Open both Conveyor Covers and pull the Belt Wrap Pin out of the zipper.
4. Remove and discard the old Belt Wrap(s).
5. Disconnect the Conveyor Belt Chain by squeezing any two links together and unhooking both ends of one link (Figure 13).
5. Place the replacement Conveyor Belt Chain on the top sprockets with hook ends down.

NOTE: The ends of the hooks must point down (Figure 13).

6. Wrap the Conveyor Belt Chain around the top and lower sprockets and connect by hooking both ends together.

NOTE: Make sure the Conveyor Belt Chain is installed under the Upper Support Rod and over the Lower Support Rod.

MAINTENANCE (continued)

Checking the Roller Tensioners (every 3–6 months)

MEASURING THE ROLLER TENSIONERS

1. Measure the Roller Tensioner on both inner Conveyor Covers (Figure 14) using a U.S. Nickel.
2. The space between the inner Conveyor Cover and bottom of the Tensioner wheel should be $13/16''$ (2.1 cm) or the height of a U.S. Nickel.
3. Adjust or replace any damaged ones as recommended.

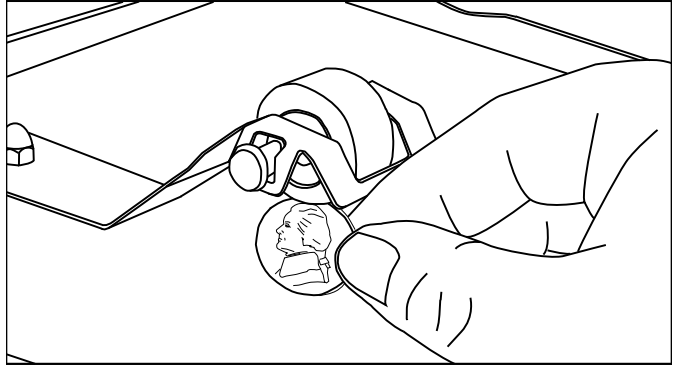


Figure 14. Measuring Roller Tensioner

REPLACING THE ROLLER TENSIONERS

1. Remove the acorn nuts and old Roller Tensioner Assembly (Figure 15).
2. Replace Tensioner Assembly, and reassemble.
3. Make sure the spacers are placed inside the Tensioner arm. The spacers are smaller than the holes to allow the Tensioner to pivot freely.

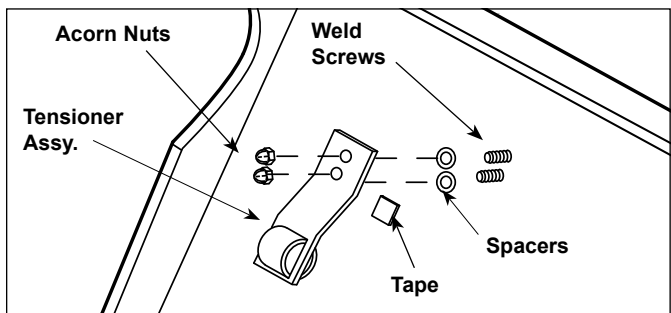


Figure 15. Replacing the Roller Tensioner

REPLACING THE SPRING TENSIONER

1. Remove the acorn nuts (Figure 16).
2. Remove the old Spring Tensioner Assembly (Figure 16).
3. Replace Tensioner Assembly and reassemble unit.

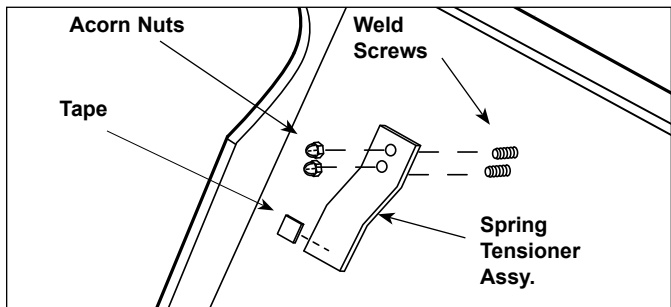


Figure 16. Replacing Spring Tensioner

TROUBLESHOOTING

⚠ WARNING ⚠

To avoid possible personal injury and/or damage to the unit, inspection, test and repair of electrical equipment should be performed by qualified service personnel. The unit should be unplugged when servicing, except when electrical tests are required. Use extreme care during electrical circuit tests. Live circuits will be exposed.

Problem	Possible Cause	Corrective Action
Control Display flashes "LO" continuously Buns not toasting properly.	Platen temperature is below 440°F (226°C).	Allow the unit to warm up for 30 minutes and then recheck. If the Control Display still reads "LO," contact your maintenance person or Authorized Service Agency for service.
Control display flashes "LO" continuously. Buns Burn.	Failed Platen Thermocouple.	Contact your maintenance person or Authorized Service Agency for service.
	Failed Control Board	
Control Display flashes "PO" continuously.	The power to the unit is below 190 Volts.	Turn the power off and then back on. If the display still shows "PO", check the power cord, plug, and outlet for damage.
	Failed Control Board.	Reset the Circuit Breakers.
	Failed Transformer.	Contact your maintenance person, Authorized Service Agency, or electrician for service.
Control flashes "CHEC" continuously.	Control Compartment temperature is above 140°F (60°C).	Verify side vents on toaster are unblocked and not near other heating appliances. If problem still persists, contact your maintenance person or Authorized Service Agency for service.
	Failed Cooling Fan.	
	Failed Control Board.	
Control Display flashes "HI" continuously. Buns burn.	Failed Platen Solid State Relay.	Contact your maintenance person or Authorized Service Agency for service.
	Failed Control Board.	
	Failed Platen Thermocouple.	
Control Display flashes "HI" continuously. Buns not toasting properly.	Loose Platen Thermocouple connection on Control Board or the Platen Thermocouple is open.	Re-secure the Platen Thermocouple connection to the Control Board. If the Control Display still reads "HI", check the Thermocouple for continuity.
	Failed Control Board.	Contact your maintenance person or Authorized Service Agency for service.
Control Display flashes "HI" & "LO" at cold start up, then "HI" & "USE" after 20–30 minutes.	Loose Auxiliary Thermocouple connection on Control Board or Thermocouple is open.	Re-secure the Auxiliary Thermocouple connection to the Control Board. If the Control Display still reads "HI" & "LO" or "HI" & "USE," check Thermocouple for continuity. Contact your maintenance person or Authorized Service Agency for service.
No Control Display.	Unit not plugged in.	Plug unit into the proper electrical outlet.
	Hi-Limit control has tripped.	Allow unit to cool and reset the Hi-Limit control. If it trips again, contact your maintenance person or Authorized Service Agency.
	Circuit Breakers turned off or tripped. Damaged electrical outlet, plug, or cord. Power Switch damaged.	Reset Circuit Breakers. If they trip again, check the cord, plug, and outlet for damage. Contact your maintenance person, Authorized Service Agency, or electrician.

TROUBLESHOOTING (continued)

Problem	Possible Cause	Corrective Action
Conveyor does not turn.	Safety Interlock Switch is not activated.	Reposition the Heat Shield properly.
	Heat Shield is bent or damaged	Replace Heat Shield.
	Damaged or Missing Roller Tensioner(s)	Adjust or replace Roller Tensioner(s).
	Conveyor Belt/Chain has stretched. Chain skipping on sprockets.	Measure and adjust the Conveyor Belt Chains as described in the Maintenance section of this manual.
	Motor Drive Chain came off Sprocket(s).	Reinstall Drive Chain.
	Drive Chain needs lubrication.	Lubricate chain.
	Drive Motor has overheated.	Allow unit to cool and check Conveyor(s) for obstructions or binding at sprockets. Measure and adjust Conveyor Belt(s) as described in the Maintenance section of this manual.
	Drive Motor has failed.	Contact your maintenance person or Authorized Service Agency for service.
Buns not toasting adequately.	Compression Settings are incorrect.	Use the recommended settings. Set Heel to 2 and Crown to 6.
	Temperature Setting is incorrect.	Verify that the Platen (SP-P) is set to 600°F (320°C) and the Auxiliary (SP-A) is set to 400°F (204°C). For making changes in the setpoint temperature, see the Installation section of this manual.
	Release Sheet is worn or needs cleaning (replace every 4–6 weeks.)	Inspect Release Sheet for cleanliness, worn spots, tears, or wrinkles. Clean or replace Release Sheet as described in the Maintenance section of this manual.
	Belt Wraps are worn or need cleaning (replace every 3–6 months).	Replace or clean Belt Wraps as described in the Maintenance section of this manual.
	Belt Wraps are not tacky/sticky.	Clean or replace Belt Wraps as described in the Maintenance section of this manual.
	Buns do not meet specifications.	Contact your bun supplier.

TROUBLESHOOTING (continued)

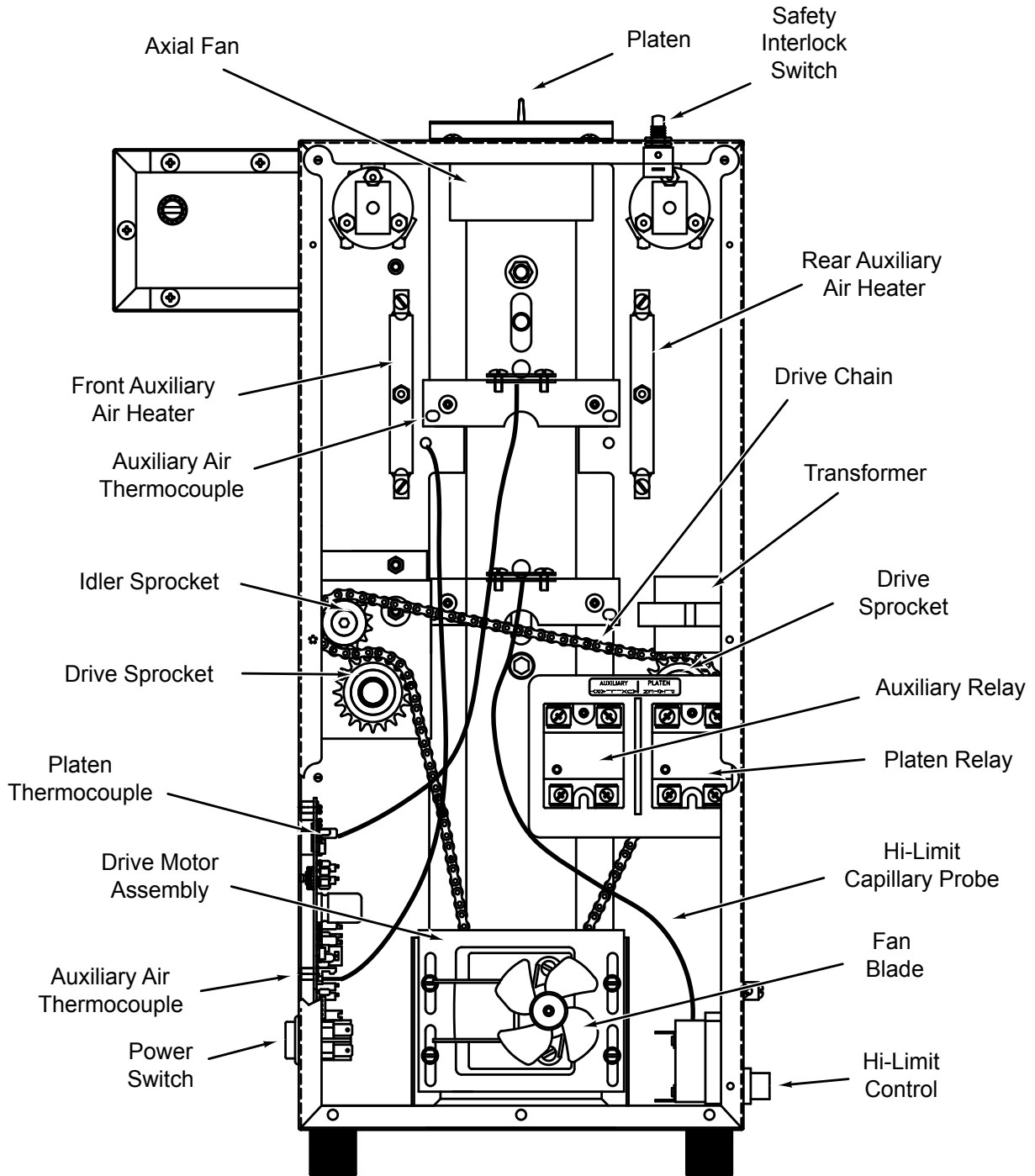
Problem	Possible Cause	Corrective Action	
Crowns and/or Heels must be forced into the toaster. Buns sticking and burning.	Belt Wraps not being cleaned properly.	Clean Belt Wraps as described in the Maintenance section of this manual.	
	Conveyor Belt Wraps are not tacky/ sticky (replace every 3–6 months).	Clean Belt Wraps. If the Belt Wraps are too worn, replace them as described in the Maintenance section of this manual.	
	Belt Wraps are dirty, worn, or damaged (replace every 3–6 months).	Clean or replace Belt Wraps as described in the Maintenance section of this manual.	
	Release Sheet is not being cleaned properly.	Clean both sides of the black and silver Release Sheet as described in the Maintenance section of this manual.	
	Release Sheet is not being reversed as required.	Reverse the Release Sheet or replace Release Sheet as described in the Maintenance section of this manual.	
	Release Sheet is dirty, worn, or damaged (replace every 4–6 weeks).	Clean or replace Release Sheet as described in the Maintenance section of this manual.	
	Conveyor Belt Chains are skipping on Sprockets.	Measure and adjust the Conveyor Belt Chains as described in the Maintenance section of this manual.	
	Safety Interlock Switch is not being activated by the Heat Shield.	Heat Shield is ajar. Reposition Heat Shield.	
		Heat Shield is damaged. Replace if necessary. If the Safety Interlock Switch is damaged, contact your maintenance person or Authorized Service Agency for service.	
	Belt Wraps slipping over Conveyor Belt Chains.	Remove Belt Wraps and clean the Conveyor Belt Chain links and Belt Wraps as described in the Maintenance section of this manual.	
	Roller Tensioner(s) damaged or missing.	Reinstall or replace Roller Tensioner(s) as described in the Maintenance section of this manual.	
	Drive Motor stalls intermittently.	Contact your maintenance person or an Authorized Service Agency for service.	
	Compression Settings are incorrect.	Use the recommended settings. Set Heel to 2 and Crown to 6.	
Buns are not inserted into the toaster properly.	Buns must be inserted with the cut sides facing each other on the correct Heel or Crown side.		
New Conveyor Belt Wraps do not fit.	Compression Settings are incorrect.	Set Compression Knobs to 6 and 6 when replacing Belt Wraps or when adjusting Conveyor Belt Chains.	
	Belt Wraps not installed correctly.	Install Belt Wraps inside the Yellow Rods with the zipper flap exposed and hanging down.	
	Using incorrect or damaged Belt Wraps.	Replace with OEM P/N 7000192 only.	

TROUBLESHOOTING (continued)

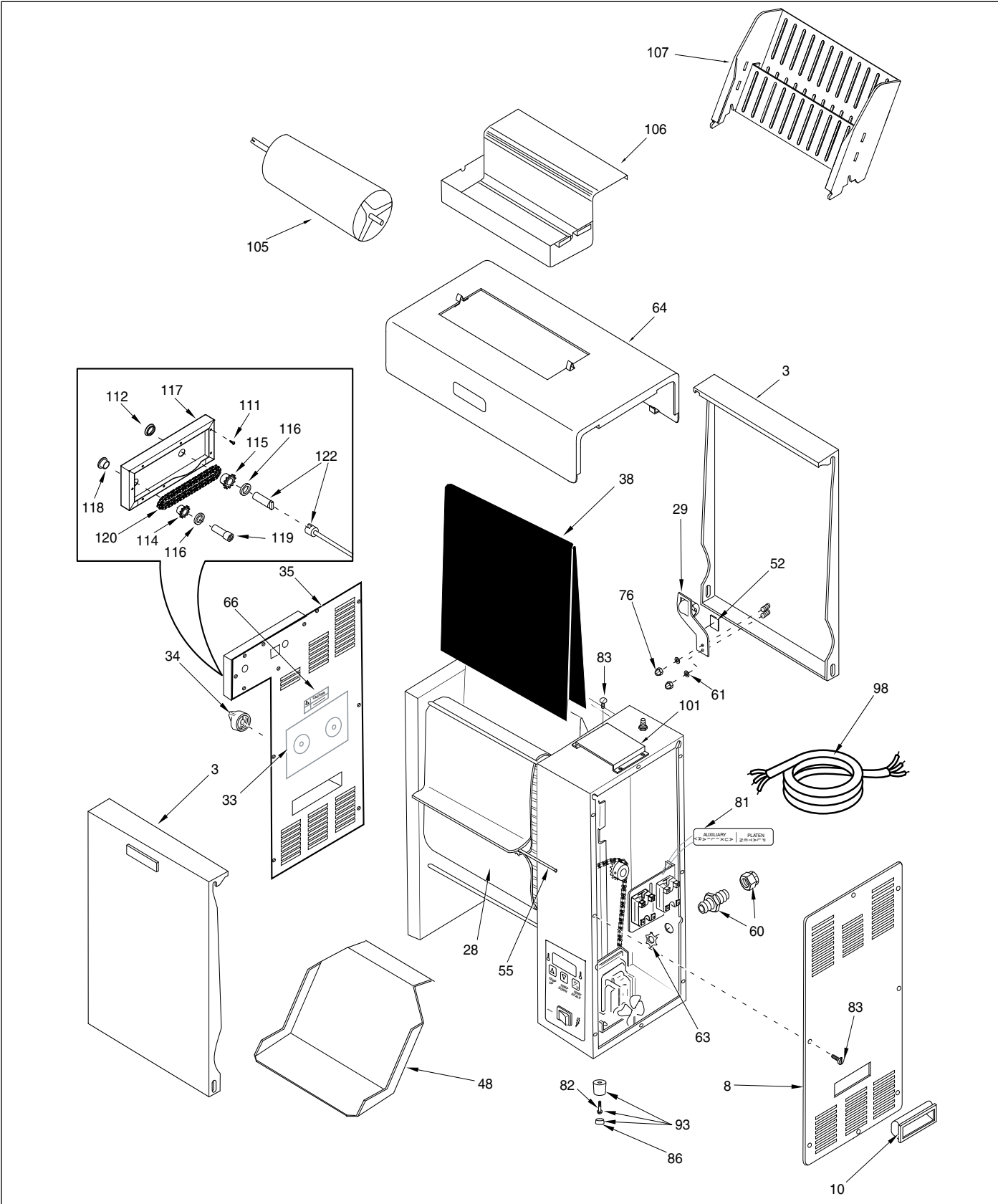
Problem	Possible Cause	Corrective Action
Toaster makes unusual sounds.	Compression Settings are too tight.	Set Compression Settings to the correct (or larger) setting.
	Conveyor Belt Wrap is installed incorrectly.	Belt Wraps must be installed as described in the Maintenance section of this manual.
	Belt Wrap Pin rubbing on housing.	Center the Pin in the Belt Wrap zipper.
	Roller Tensioner(s) bent or missing.	Measure, adjust, or replace the Roller Tensioner(s) as described in the Maintenance section of this manual.
	Conveyor Belt Chains have stretched.	Measure and adjust the conveyor Belt Chains as described in the Maintenance section of this manual.
	Conveyor Belt Chains adjusted incorrectly.	
	Sugar and/or Carbon has accumulated inside the Conveyor Belt Wrap and between the Conveyor Belt chain and Tensioner Slide Rails.	Remove Belt Wraps, clean conveyor Belt Chain links just as you clean the Belt Wraps daily, and then clean the Slide Rails on the Tensioners. Next, clean the Belt Wrap on both sides before reinstalling it.
	Motor Drive Chain needs lubrication.	Lubricate the Drive Chain carefully at least once a year.
	A Conveyor Shaft bearing is binding.	Contact your maintenance person or Authorized Service Agency for service.

REPLACEMENT PARTS

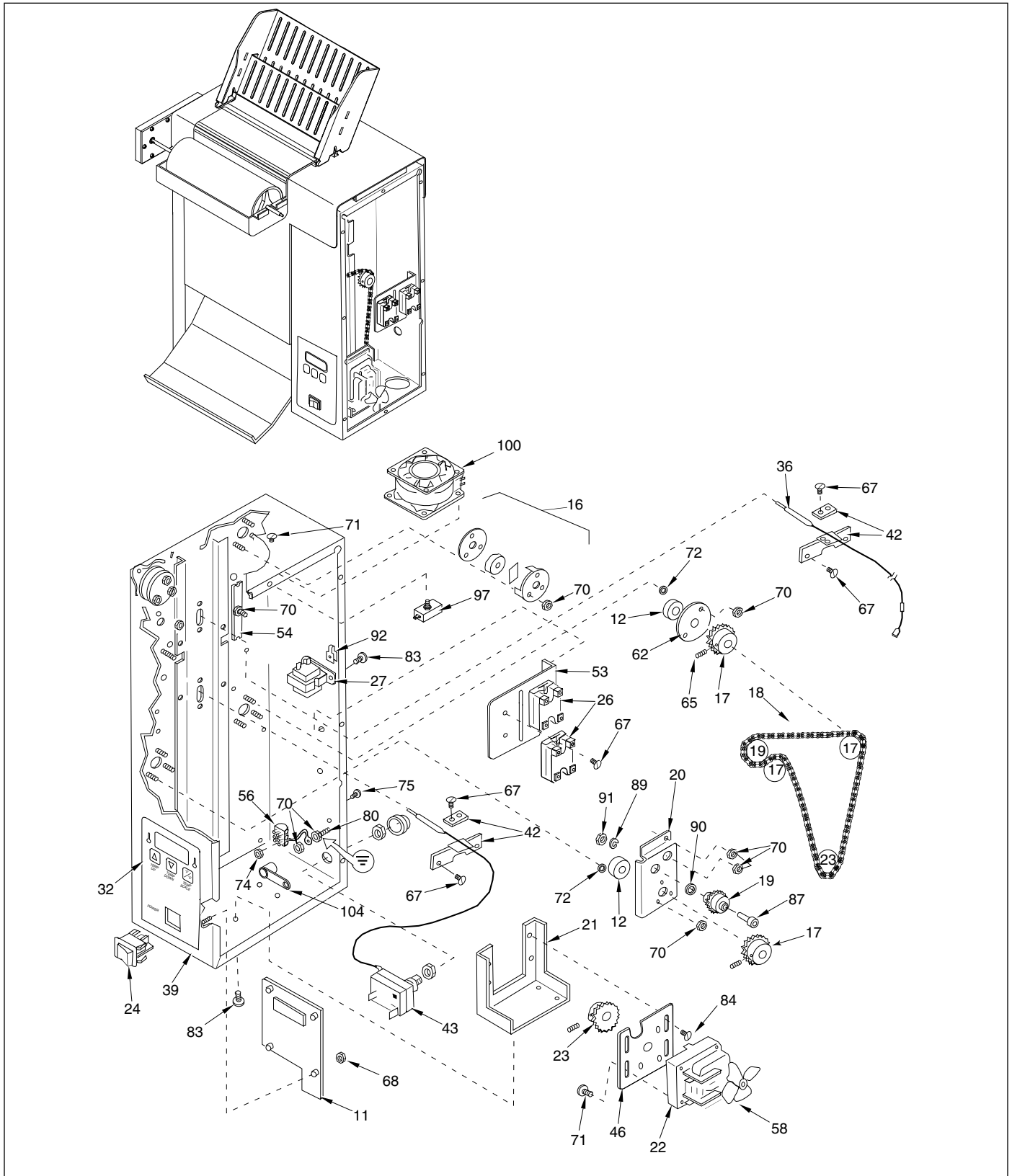
Parts Identification



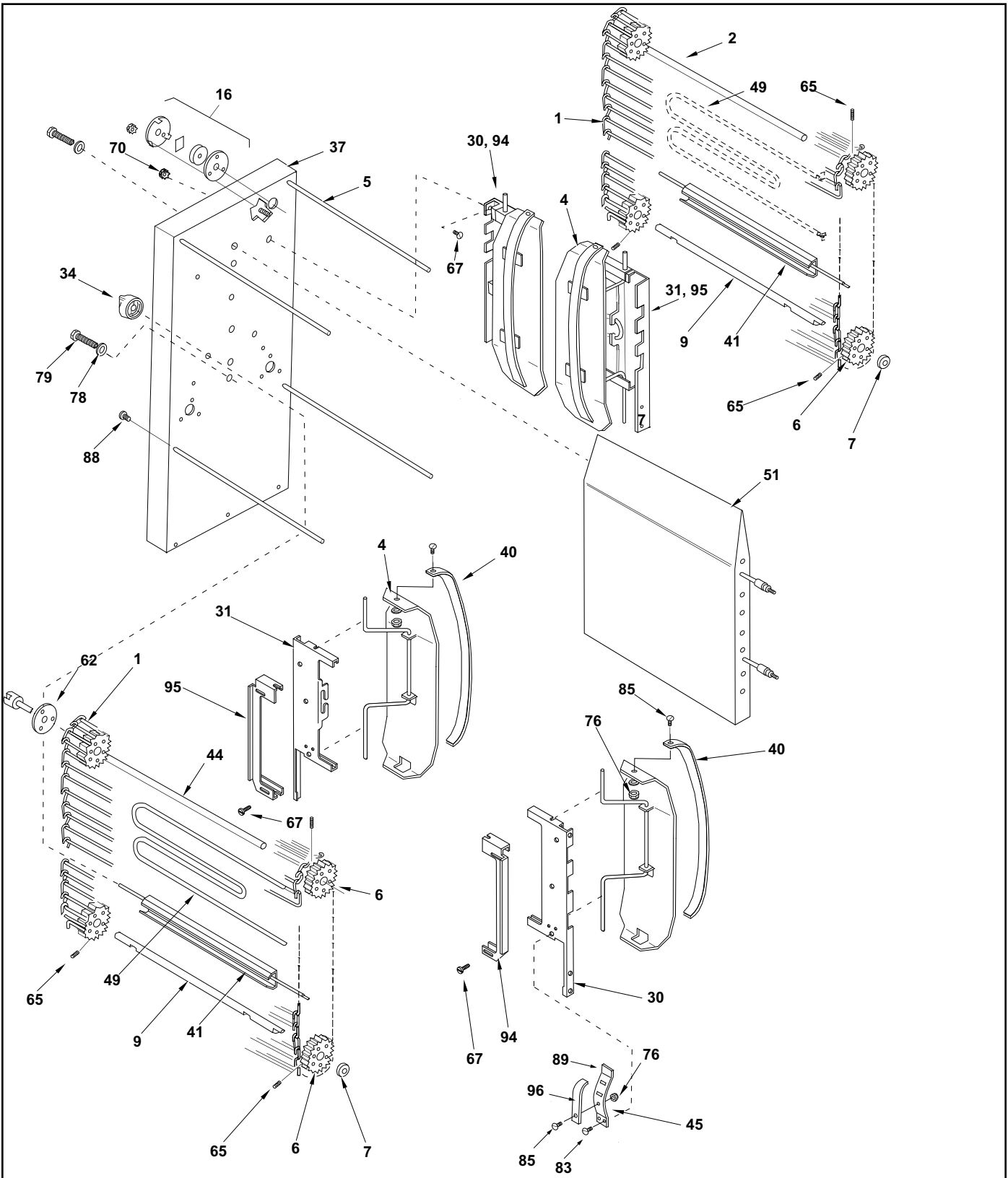
REPLACEMENT PARTS (continued)



REPLACEMENT PARTS (continued)



REPLACEMENT PARTS (continued)



REPLACEMENT PARTS (continued)

Item	Part No.	Description	Qty.
1	0011266	Conveyor Belt (Incl. Items below)	2
	0800204	1/2" Pitch Link, Small	2
	0800121	3/4" Pitch Link, Large	38
2	2150117	Idler Shaft	1
3	7000322	Conveyor Cover Assy. (Incl. #29, 52, 61, and 76)	2
4	0010475	Tensioner Assy. (Incl. #40, 76, 85)	4
5	7000644	Rod, Conveyor Cover	4
6	7000207	Sprocket w/setscrew	8
7	7000199	Spacer Kit (Pack of 2)	2
8	0011444	Control Housing Cover Assy.	1
9	2150118	Drive Shaft	3
10	2100212	Handle	2
11	7000287	Control Board	1
12	7000296	Ball Bearing (Pack of 2)	1
16	7000167	Bearing & Retainer Kit	6
16A	7000224	Bearing & Retainer Kit (Incl. 6 of #16)	1
17	2150181	Drive Sprocket	2
18	2150187	Drive Chain	1
19	0011299	Idler Sprocket & Bearing	1
20	0011300	Bracket, Idler Sprocket Assy. (Incl. #91, 89, 90, 19, and 87)	1
21	0503589	Bracket, Motor Mounting	1
22	7000240	Drive Motor Kit, Dual Frequency 50/60 Hz (Incl. #58)	1
23	2150173	Sprocket w/setscrew, Motor	1
24	4010137	Rocker Switch, On/Off (250 VAC)	1
25	2150109	Drive Sprocket, Rear	1
26	7000652	Relay, Solid State	2
27	4010187	Transformer	1
28	7000416	Conveyor Belt Wrap (Pack of 2)	1
29	7000186	Roller Tensioner Assy. (Pack of 2)	1
30	0503496	Tensioner Bracket, Right	2
31	0503497	Tensioner Bracket, Left	2
32	1001006	Label, Control	1
33	1001047	Label, Dial Compression	1
34	2100253	Knob, Control	2
35	0011552	End Housing Cover Assy.	1
36	4050214	Thermocouple Assy.	1
37	0021170	Weldment, End Housing	1
38	7000249	Release Sheet (Pack of 3)	-
	7000250	Release Sheet (Pack of 10)	-
39	0021169	Control Housing	1
40	7000121	Slide Rail Kit (Includes 2 Slide Rails)	2
41	0021207	Conveyor Cam	2
42	7000176	Thermocouple Retainer Kit	2
43	4030332	High Limit Control	1
44	0011573	Idler Shaft Assy. (Top, Front) (Incl. #9 and 121)	1
45	0503455	Tension Spring, Inner	4
46	0503590	Bracket, Motor	1
47	0700580	Wire Set (not shown)	1
48	0503677	Bun Chute	1
49	4030349	Auxiliary Heater, 675W/208V	2
50	7000165	Auxiliary Thermocouple Kit	1
51	7000288	Platen (208V)	1
52	2100252	Tape	4
53	0503359	Bracket, Relay	1
54	0503150	Heater Clip	2
55	303P127*	Hinge Pin, Belt Wrap	2
56	4060355	Terminal Block	1
57	0503533	Bracket, Auxiliary Thermocouple	1

Item	Part No.	Description	Qty.
58	4000170	Fan Blade, Motor	1
60	040K251	Strain Relief, Domestic (Incl. #63)	1
61	05P2199*	Spacer	4
62	0500464	Retainer, Bearing	2
63	040P138*	Locknut, 1/2"	1
64	0011528	Heat Shield Assy.	1
65	325P163*	Setscrew, 1/4-28 x 5/16"	8
66	100P864*	Label, Caution Hot	1
67	308P183*	Screw, Hex, #8-32 x 3/8"	2
68	304P105*	Nut, #4-40, "KEPS"	4
69	406P107*	Cable Tie	1
70	308P143*	Nut, #8-32, "KEPS"	6
71	310P103*	Screw, Hex, #10-32 x 1/4"	4
72	310P157*	Washer, #10	6
73	308P101*	Nut, #8-32	3
74	306P101*	Nut, Hex, #6-32	2
75	306P123*	Screw, #6-32 x 7/8"	2
76	308P145*	Nut, Hex Acorn, #8-32	14
77	100P900*	Label, Service	1
78	325P104*	Washer, 1/4"	4
79	325P109*	Screw, 1/4-20 x 1/2"	4
80	308P124*	Screw, 1-Way, #8-32 x 1/2"	1
81	10P1022*	Label, Heaters	1
82	310P136*	Screw, #10-32 x 1-1/4"	4
83	308P133*	Screw, #8-32 x 1/4"	1
84	308P157*	Screw, Tap, #8-32 x 3/8"	20
85	308P181*	Screw, Flat Hd., #8-32 x 3/8"	4
86	218P145*	Cover, Leg, Bumper	4
87	331P103*	Shoulder Bolt, 5/16-18 x 1"	1
88	306P105*	Screw, #6-32 x 1/2"	8
89	331P106*	Lockwasher, 5/16"	1
90	212P118*	Flat Washer, 5/16"	1
91	331P101*	Nut, Hex, 5/16-18	1
92	300P102*	Nut, Tinnerman	2
93	210K230	Bumper, Recess Leg, 1" (Qty. of 4)	1
94	0503495	Retainer, Tensioner Bracket, RH	1
95	0503507	Retainer, Tensioner Bracket, LH	1
96	2100259	Slide Bar	4
97	7000400	Interlock Switch	1
98	0700452	Power Cord NEMA 6-20P	1
99	306P104*	Screw, #6-32 x 1/4"	6
100	4000138	Fan	1
101	0503775	Duct, Fan	1
102	1001056	Label, Crown & Heel	1
103	2120147	Leg Spacers	4
104	4060374	Ground Lug	1
105	0021320	Butter Wheel Roller	1
106	0503987	Butter Pan	1
107	0021507	Bun Feeder	1
111	308P157	Screw, #8-32 x 3/8"	7
112	2150204	Bearing, Shaft 1/2"	4
114	2150212	Sprocket, 12 Tooth	1
115	2150207	Sprocket, 28 Tooth	1
116	2120149	Spacer, Nylon	2
117	0503891	Housing	1
118	0400295	Plug, Pry Out	1
119	0011553	Shaft Assembly	1
120	2150205	Chain Drive	1
122	7000692	Shaft Coupling Kit (Incl. Items Below)	1
	2150201	Shaft, Drive	1
	2150202	Coupler	1
123	2140152	Lubricant (not shown)	1

* Sold only as packages of 10.

LIMITED WARRANTY

Equipment manufactured by Roundup Food Equipment Division of A.J. Antunes & Co. has been constructed of the finest materials available and manufactured to high quality standards. These units are warranted to be free from electrical and mechanical defects for a period of one (1) year from date of purchase under normal use and service, and when installed in accordance with manufacturer's recommendations. To insure continued operation of the units, follow the maintenance procedures outlined in the Owner's Manual. During the first 12 months, electro-mechanical parts, non-overtime labor, and travel expenses up to 2 hours (100 miles/160 km), round trip from the nearest Authorized Service Center are covered.

1. This warranty does not cover cost of installation, defects caused by improper storage or handling prior to placing of the Equipment. This warranty does not cover overtime charges or work done by unauthorized service agencies or personnel. This warranty does not cover normal maintenance, calibration, or regular adjustments as specified in operating and maintenance instructions of this manual, and/or labor involved in moving adjacent objects to gain access to the equipment. This warranty does not cover consumable/wear items. This warranty does not cover damage to the Load Cell or Load Cell Assembly due to abuse, misuse, dropping of unit/shock loads or exceeding maximum weight capacity (4 lbs). This warranty does not cover water contamination problems such as foreign material in water lines or inside solenoid valves. It does not cover water pressure problems or failures resulting from improper/incorrect voltage supply. This warranty does not cover Travel Time & Mileage in excess of 2 hours (100 miles/160 km) round trip from the nearest authorized service agency.
2. Roundup reserves the right to make changes in design or add any improvements on any product. The right is always reserved to modify equipment because of factors beyond our control and government regulations. Changes to update equipment do not constitute a warranty charge.
3. If shipment is damaged in transit, the purchaser should make a claim directly upon the carrier. Careful inspection should be made of the shipment as soon as it arrives and visible damage should be noted upon the carrier's receipt. Damage should be reported to the carrier. This damage is not covered under this warranty.
4. Warranty charges do not include freight or foreign, excise, municipal or other sales or use taxes. All such freight and taxes are the responsibility of the purchaser.
5. THIS WARRANTY IS EXCLUSIVE AND IS IN LIEU OF ALL OTHER WARRANTIES, EXPRESSED OR IMPLIED, INCLUDING ANY IMPLIED WARRANTY OR MERCHANTABILITY OR FITNESS FOR A PARTICULAR PURPOSE, EACH OF WHICH IS HEREBY EXPRESSLY DISCLAIMED. THE REMEDIES DESCRIBED ABOVE ARE EXCLUSIVE AND IN NO EVENT SHALL ROUNDUP BE LIABLE FOR SPECIAL CONSEQUENTIAL OR INCIDENTAL DAMAGES FOR THE BREACH OR DELAY IN PERFORMANCE OF THIS WARRANTY.



A.J. Antunes & Co.

We exist to make our customers successful.

A.J. Antunes & Co.
Headquarters/Manufacturing
Carol Stream, Illinois 60188 USA
Phone: (630) 784-1000
Toll Free: (800) 253-2991
Fax: (630) 784-1650

Antunes Equipment
Manufacturing (Suzhou) Ltd.,
Suzhou, Jiangsu, China 215011
Phone: 86-512-6841-3637
Toll Free: 400-0-7878-22
Fax: 86-512-6841-3907

www.ajantunes.com