

Manufacturing Numbers 9200500/502/504/512

Place this manual in the Toaster section
of your *Equipment Manual*.

**Manufactured exclusively for
McDONALD'S®**

BY

**A.J. ANTUNES & CO.
180 KEHOE BLVD.
CAROL STREAM, ILLINOIS 60188, U.S.A.
PHONE: 1-630-784-1000
TOLL FREE: 1-877-392-7854
FAX: 1-630-784-1650
www.ajantunes.com**

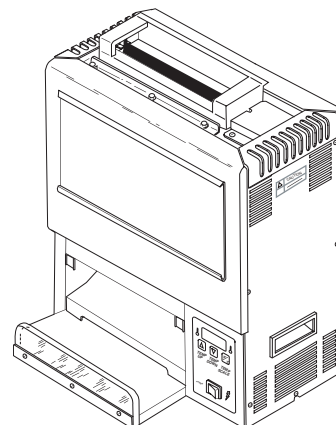


TABLE OF CONTENTS

Owner Information	2	Fault Codes	10
General	2	Maintenance	11
Warranty Information	2	Daily cleaning	11
Service/Technical Assistance	2	Monthly: Bun Temperature Test	12
Specifications	3	Every Month: Replace Release Sheet Every Three Months: Replace Groovy Belt Wraps, Clean and Measure Conveyor Belts/Chains, Check Roller Tensioners and Check Temperature of Bun Landing Area.	12
Model Designation	3	Measure the Conveyor Chains for Stretch	13
Supplied Voltages:	3	Replacing Groovy Belt Wraps	14
Electrical Cord & Plug Configurations	3	Maintenance (continued)	15
Toasting Time Change	3	Adjusting, Measuring and/or Replacing Roller Tensioner Assemblies	15
Dimensions	4	Troubleshooting	16
Weights	4	Replacement Parts	20
Important Safety Information	5	Wiring Diagrams	25
Installation	6	NOTES	27
Unpacking	6		
Assembling the Unit	6		
Location	6		
Operating Instructions	7		
Toaster Operation	7		

LIMITED WARRANTY

The Antunes Food Service Equipment Division of A.J. Antunes & Co. provides the following limited warranty to the original purchaser of all McDonald's Equipment. All components are warranted against Manufacturer's defects in the material and workmanship for a period of two (2) years from date of original installation not to exceed 30 months from the date of shipment from our factory.

If any part becomes defective during the period of this Warranty, Antunes Food Service will pay negotiated straight time labor costs to an Authorized Service Agent to replace the part, plus travel expenses up to 100 miles/160 km, 2 hours round trip.

WARRANTY EXCLUSIONS

- The cost of Installation.
- Equipment that has been damaged due to shipment. Purchaser should make damage claim directly upon carrier.
- Alteration, misuse, abuse.
- Improper storage or handling.
- Improper maintenance.
- Failure to follow proper Installation instructions, including electrical connection.
- Improper or unauthorized repairs.
- Scheduled Maintenance procedures as outlined in your MRC Card.
- This Warranty does not cover Consumable items.
- Water pressure problems or contamination problems such as foreign material in water lines or inside solenoid valves due to an incoming water source.
- Overtime or Holiday charges.
- Mileage over 100 miles/160 km round-trip, or travel time over two (2) hours.
- Freight, foreign, excise, municipal or other sales or use taxes.
- Consequential damages such as loss of profit, loss of time, the cost of repairing or replacing other property which is damaged, or any other incidental damage of any kind.

Antunes Food Service reserves the right to make changes in design or add improvements on any products. The right is always reserved to modify Equipment because of factors beyond our control and government regulation. Changes to Equipment do not constitute a warranty charge. This warranty is exclusive and is in lieu of all other warranties, expressed or implied, including any implied warranty of merchantability or fitness for a particular purpose, each of which is expressly disclaimed. The remedies described above are exclusive, and in no event shall A.J. Antunes & Co. or any of its Divisions be liable for special consequential or incidental damages for the breach or delay in the performance of this warranty.

**This manual is for the exclusive use of licensees and employees of McDonald's Systems, Inc..
© McDonald's Corporation All Rights Reserved**

OWNER INFORMATION

General

This manual is produced for the Rapid Toaster.

The Rapid Toaster is designed for contact toasting of buns. This design allows the operator to place buns on both sides of the heated platen at the same time. Buns are placed into the bun feeder on the top of the toaster and uniform golden brown, warm buns are then retrieved at the base of the toaster.

This manual provides the safety, installation and operating procedures for the Rapid Toaster. We recommend that this manual be read prior to installing and operating the unit.

The Rapid Toaster is manufactured from the finest materials available and is assembled to Roundup's strict quality standards. This unit has been tested at the factory to ensure dependable trouble-free operation.

Warranty Information

Please read the full text of the Limited Warranty in this manual.

If the unit arrives damaged, contact the carrier immediately and file a damage claim with them. Save all packing materials when filing a claim. Freight damage claims are the responsibility of the purchaser and **are not** covered under warranty.

The warranty **does not** extend to:

- Damages caused in shipment or damage as result of improper use.
- Installation of electrical service.
- Normal maintenance as outlined in this manual.
- Malfunction resulting from improper maintenance.
- Damage caused by abuse or careless handling.
- Damage from moisture into electrical components
- Damage from tampering with, removal of, or changing any preset control or safety device.

Service/Technical Assistance

If you experience any problems with the installation or operation of your unit, contact your local A.J.A. Authorized Service Agency.

Fill in the information below and have it handy when calling your Authorized Service Agency for assistance. The serial number is on the specification plate located on the rear of the unit.

Purchased From: _____

Date of Purchase: _____

Model No.: _____

Serial No.: _____

Mfg. No.: _____

Refer to the service agency directory packaged with your manual and fill in the information below:

Authorized Service Agency

Name: _____

Phone No.: _____

Address: _____

Use only genuine Roundup replacement parts in this unit. Use of replacement parts other than those supplied by the manufacturer will void the warranty. Your Authorized Service Agency has been factory trained and has a complete supply of parts for this toaster.

You may also contact the factory at **1-877-392-7854 (North America only)**, or **630-784-1000** if you have trouble locating your local Authorized Service Agency.

IMPORTANT! Keep these instructions for future reference. If the unit changes ownership, be sure this manual accompanies the equipment.

SPECIFICATIONS

Model Designation

VCT-200XX	
TYPE OF POWER CORD	H = HARMONIZED C = COMMERCIAL R = ROCKBESTOS
TYPE OF PLUG	C = CEE 7/7 D = Domestic Pin and Sleeve I = International Pin and Sleeve R = Right Angle Twist-Lock S = Straight Twist-Lock



CAUTION

All electrical connections must be in accordance with local electrical codes and any other applicable codes.



WARNING

ELECTRICAL SHOCK HAZARD. FAILURE TO FOLLOW THE INSTRUCTIONS IN THIS MANUAL COULD RESULT IN SERIOUS INJURY OR DEATH.

- Electrical ground is required on this appliance.
- Do not modify the power supply cord plug. If it does not fit the outlet, have a proper outlet installed by a qualified electrician.
- Do not use an extension cord with this appliance.
- Check with a qualified electrician if you are in doubt as to whether the appliance is properly grounded.

Electrical Cord & Plug Configurations

Letter Code*	Description	Configuration
C H R	Commercial Cord Harmonized Cord Rockbestos Cord	
(H)C**	CEE 7/7, 16 Amp., 250 VAC (Assembly Only).	
D	#330P6W, 30 Amp., 250 VAC., Pin & Sleeve	
(H)I**	IEC-309, 16 Amp., 250 VAC., Pin & Sleeve (Assembly Only).	
R	L6-30P, 30 Amp., 250 VAC., Right Angle Twist Lock.	
S	L6-30P, 30 Amp., 250 VAC., Straight Twist Lock.	

* Used in Model Designation

** Indicates that the plug comes supplied with a Harmonized Cord.

Toasting Time Change

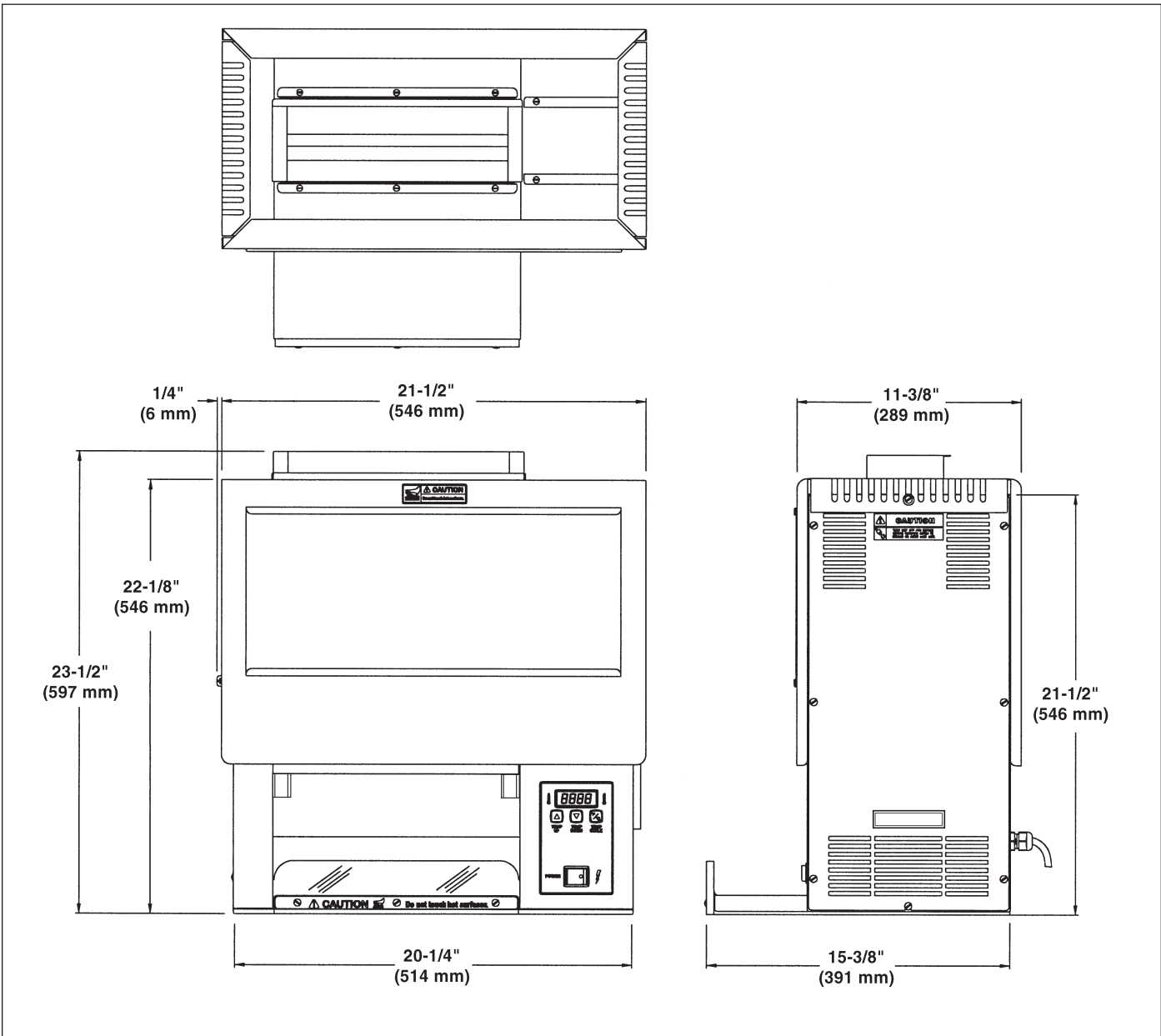
In early 2003, there was a change in the toasting time and Bun Thickness settings. The toasting time was changed from 10 seconds to 17 seconds and the Bun Thickness settings were changed from "B & 3" to "D & 5." This field "Toast Quality Kit" was installed on models VCT-200RD (Mfg. #9200500), VCT-200RR (Mfg. #9200502), and VCT-200RS (Mfg. #9200504). Not all toasters were changed to a 17 second toasting time. To determine if your toaster is 10 or 17 seconds, look at the Bun Thickness Control Adjustment Label located on the left end panel. If the background color is YELLOW, the toasting time is 17 seconds. If the background color is GRAY, the toasting time is 10 seconds. If your toaster has been changed to a 17 second unit, follow all instructions and information with a 17 second heading.

Supplied Voltages:

Model Number	Manufacturing Number	Voltage	Wattage	Amperage	HZ	Approximate Toasting Time in Seconds
VCT-200RD	9200500	208, 220-240	4185, 4682-5570	20.1, 21.3-23.2	60	17
VCT-200RR	9200502	208, 220-240	4185, 4682-5570	20.1, 21.3-23.2	60	17
VCT-200RS	9200504	208, 220-240	4185, 4682-5570	20.1, 21.3-23.2	60	17
VCT-200RS	9200512	200-240	3869-5570	19.3-23.2	60	10
VCT-200RD	9200500	208, 200-240	4185, 4682-5570	20.1, 21.3-23.2	60	10
VCT-200RR	9200502	208, 200-240	4185, 4682-5570	20.1, 21.3-23.2	60	10
VCT-200RS	9200504	208, 200-240	4185, 4682-5570	20.1, 21.3-23.2	60	10

SPECIFICATIONS (continued)

Dimensions







Weights



	Lbs	Kgs
Net	95	43.1
Shipping	105	47.6



IMPORTANT SAFETY INFORMATION

Throughout this manual, you will find the following safety words and symbols that signify important safety issues with regards to operating or maintaining the equipment.

 WARNING 
<p>GENERAL WARNING. Indicates information important to the proper operation of the equipment. Failure to observe may result in damage to the equipment and/or severe bodily injury or death.</p>

 CAUTION 
<p>GENERAL CAUTION. Indicates information important to the proper operation of the equipment. Failure to observe may result in damage to the equipment.</p>

 WARNING 
<p>ELECTRICAL WARNING. Indicates information relating to possible shock hazard. Failure to observe may result in damage to the equipment and/or severe bodily injury or death.</p>

 WARNING 
<p>HOT SURFACE WARNING. Indicates information important to the handling of equipment and parts. Failure to observe caution could result in personal injury.</p>

In addition to the warnings and cautions in this manual, use the following guidelines for safe operation of the unit.

- Read all instructions before using equipment.
- For your safety, the equipment is furnished with a properly grounded cord connector. Do not attempt to defeat the grounded connector.
- Install or locate the equipment only for its intended use as described in this manual. Do not use corrosive chemicals in this equipment.
- Do not operate this equipment if it has a damaged cord or plug, if it is not working properly, or if it has been damaged or dropped.
- This equipment should be serviced by qualified personnel only. Contact the nearest Roundup authorized service facility for adjustment or repair.
- Do not block or cover any openings on the unit.
- Do not immerse cord or plug in water.
- Keep cord away from heated surfaces.
- Do not allow cord to hang over edge of table or counter.

The following warnings and cautions appear throughout this manual and should be carefully observed.

- **Turn the unit off, disconnect the power source and allow unit to cool down before performing any service or maintenance on the unit.**
- **The procedures in this chapter may include the use of chemical products. These chemical products will be highlighted with bold face letters followed by the abbreviated HCS (Hazard Communication Standard). See Hazard Communication Standard manual for the appropriated Material Safety Data Sheets (MSDS).**
- **The equipment should be grounded according to local electrical codes to prevent the possibility of**

electrical shock. It requires a grounded receptacle with separate electrical lines, protected by fuses or circuit breaker of the proper rating.

- **Bread may burn. Therefore toasters must not be used near or below curtains or other combustible walls and materials. Failure to maintain safe operating distances may cause discoloration or combustion.**
- **When installing conveyor belt wrap, be careful not to wrap it over the upper and lower support rods or permanent damage to belt will occur. Make sure belt wrap is positioned UNDER the upper and lower support rods.**
- **Make sure both ends of belt wrap are aligned evenly before installing belt wrap pin.**
- **Failure to use release sheets may result in damage to the equipment and loss of warranty coverage.**
- **All electrical connections must be in accordance with local electrical codes and any other applicable codes.**
- **WARNING ELECTRICAL SHOCK HAZARD. FAILURE TO FOLLOW THESE INSTRUCTIONS COULD RESULT IN SERIOUS INJURY OR DEATH.**
 - **Electrical ground is required on this appliance.**
 - **Do not modify the power supply cord plug. If it does not fit the outlet, have a proper outlet installed by a qualified electrician.**
 - **Do not use an extension cord with this appliance.**
 - **Check with a qualified electrician if you are in doubt as to whether the appliance is properly grounded.**

INSTALLATION

Unpacking

1. Remove unit and all packing materials from shipping carton.
2. Open the accessory box. It should contain the following:
 - bun chute (Figure 1)
 - bun feeder (Figure 1)
 - plastic bag containing the release sheets (not shown)
3. Remove all packing materials and protective coverings from the unit and parts.

NOTE: If any parts are missing or damaged, contact A.J. Antunes Technical Service IMMEDIATELY at 1-877-392-7854 or 630-784-1000.

Assembling the Unit

1. Install the bun chute (Figure 1).
2. Install the bun feeder. The bun feeder clips fit over the tip of the platen and retain the release sheet (Figures 1 & Figure 9 on page 11).

NOTE: Check the release sheet to make sure it is not caught in the conveyor. Additional release sheets can be obtained through your Authorized Service Agency.

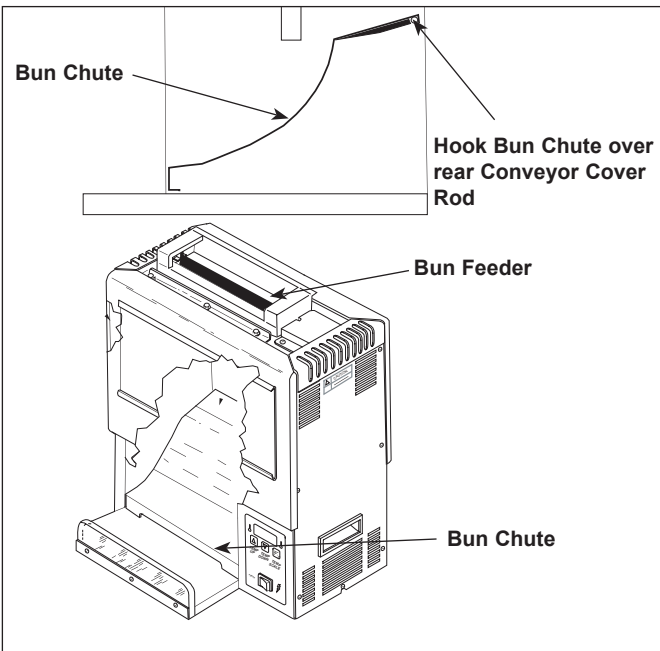


Figure 1. Installing Bun Chute

Location

When placing the toaster into service, pay attention to the following guidelines.

- Make sure power to the unit is off and the toaster is at room temperature.
- Do not block or cover any openings on the unit.
- Do not immerse cord or plug in water.
- Keep cord away from heated surfaces.
- Do not allow cord to hang over edge of table or counter.

Connect the unit to the power supply. Refer to the specification plate for the proper voltage.

CAUTION
All electrical connections must be in accordance with local electrical codes and any other applicable codes.

CAUTION
Bread may burn. Therefore toasters must not be used near or below curtains or other combustible walls and materials. Failure to maintain safe operating distances may cause discoloration or combustion.

WARNING
ELECTRICAL SHOCK HAZARD. FAILURE TO FOLLOW THE INSTRUCTIONS IN THIS MANUAL COULD RESULT IN SERIOUS INJURY OR DEATH.

- Electrical ground is required on this appliance.
- Do not modify the power supply cord plug. If it does not fit the outlet, have a proper outlet installed by a qualified electrician.
- Do not use an extension cord with this appliance.
- The toaster should be grounded according to local electrical codes to prevent the possibility of electrical shock. It requires a grounded receptacle with separate electrical lines, protected by fuses or circuit breaker of the proper rating.
- Check with a qualified electrician if you are in doubt as to whether the appliance is properly grounded.

OPERATION

Operating Instructions

- Set the Bun Thickness Adjustment Controls (Figure 2A and 2B) as follows:
 - For 17 second toasters, set the Crown control to 5 = 13/16" (20.06 mm).
 - For 10 second toasters, set the Crown control to 3 = 11/16" (17.4 mm).
 - For 17 second toasters, set the Heel/Club control to D = 9/16" (14.3 mm).
 - For 10 second toaster, set the Heel/Club control to B = 7/16" (11.1 mm).
- Turn the Rocker Switch on (Figure 3). Allow 30 minutes warm-up time before proceeding.

NOTE: The temperature display (Figure 4) will flash "LO" until preset operating temperature is reached. When the toaster approaches the preset temperature, "USE" will appear in the temperature display and the unit is ready to toast buns.

The toaster is tested and shipped with the heaters set at a preset recommended temperature. If "USE" does not appear in the window after warm-up period, see Temperature Adjustments below for recommended temperature settings and to adjust temperature settings.

- Drop buns into toaster (Figure 3). Cut sides of heel and crown must face each other (heel/club in front, crown in back).
- Toasted product will drop into the bun landing area (Figure 3).
- Test at least 4 buns before putting toaster into service.
- Turn the rocker switch off when finished toasting.

Toaster Operation

The Rapid Toaster uses a platen heater and two auxiliary heaters. The platen heater consists of a heating coil built into the platen to toast the cut side of the bun. The two auxiliary heaters assist in providing additional heat to the buns. The first auxiliary heater is located within the conveyor belt/chain in the front of the toaster. The second auxiliary heater is located within the conveyor belt/chain at the rear of the unit.

TEMPERATURE CONTROL

NOTE: Setpoint Temperature refers to the desired temperature setting.

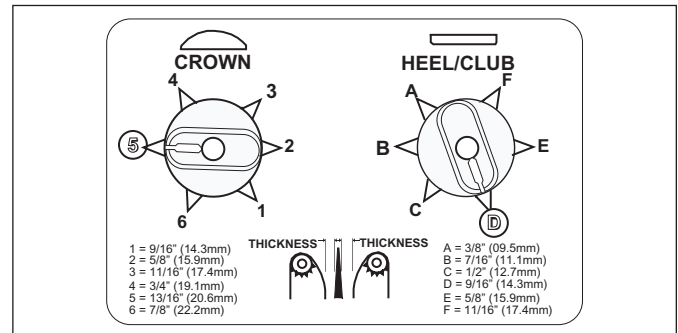


Figure 2A. Bun Thickness Adjustment Controls for 17 second toasters

NOTE: Background color of this label is YELLOW.

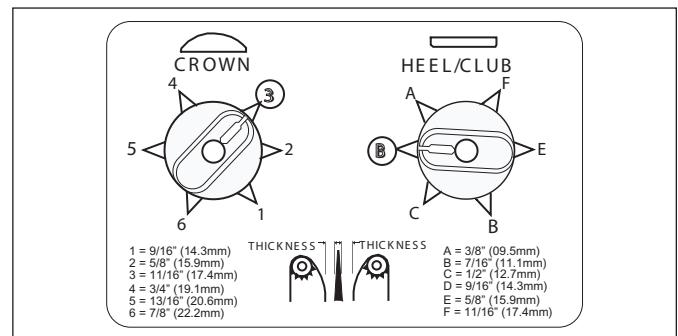


Figure 2B. Bun Thickness Adjustment Controls for 10 Second Toasters

NOTE: Background color if this label is GRAY.

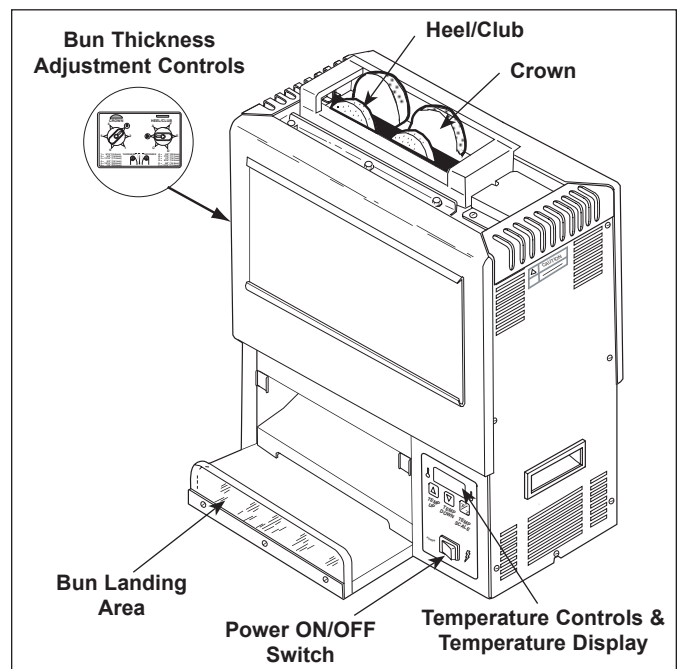


Figure 3. Rapid Toaster

OPERATION (continued)

Pressing the TEMP UP key will display the current platen temperature provided it is over 420°F (216°C).

Pressing the TEMP DOWN key will display the current auxiliary heaters temperature when it is over 250°F (121°C).

Pressing and holding TEMP SCALE key for 3-5 seconds will switch the temperature display between Fahrenheit (°F) and Celsius (°C).

RECOMMENDED TEMPERATURES

Recommended temperature setting for the platen heater is 560°F (293°C).

Recommended temperature setting for the auxiliary heaters is 400°F (204°C).

NOTE: The toaster is tested and shipped with the heaters set at the above recommended temperatures.

PLATEN SETPOINT TEMPERATURE ADJUSTMENT

1. Turn power switch on and wait for temperature display to finish the power up sequence (Figure 4).
2. Press and hold both TEMP UP and TEMP DOWN keys until the display flashes the platen setpoint temperature, then release.
3. Press the TEMP UP or the TEMP DOWN key to raise or lower the setpoint temperature. The setpoint temperature will adjust 1° every 0.1 seconds.
4. Release the key when the desired setpoint is displayed.

NOTE: Maximum adjustable setpoint temperature for the platen is 600°F (315°C).

NOTE: If no change is made within 5 seconds, the display will revert back to the previous setpoint.

AUXILIARY HEATER TEMPERATURE ADJUSTMENT

1. Turn power on and wait for temperature display to finish the power up sequence (Figure 4, #3 & 4).
2. Press and hold both TEMP UP and TEMP SCALE keys until the display flashes the auxiliary setpoint temperature, then release (Figure 4, #3)
3. Press the TEMP UP or TEMP DOWN key to raise or lower the setpoint temperature. The setpoint temperature will adjust 1° every 0.5 seconds.
4. Release the key when the desired setpoint is displayed.

NOTE: Maximum adjustable setpoint temperature for the auxiliary heater is 400°F (204°C).

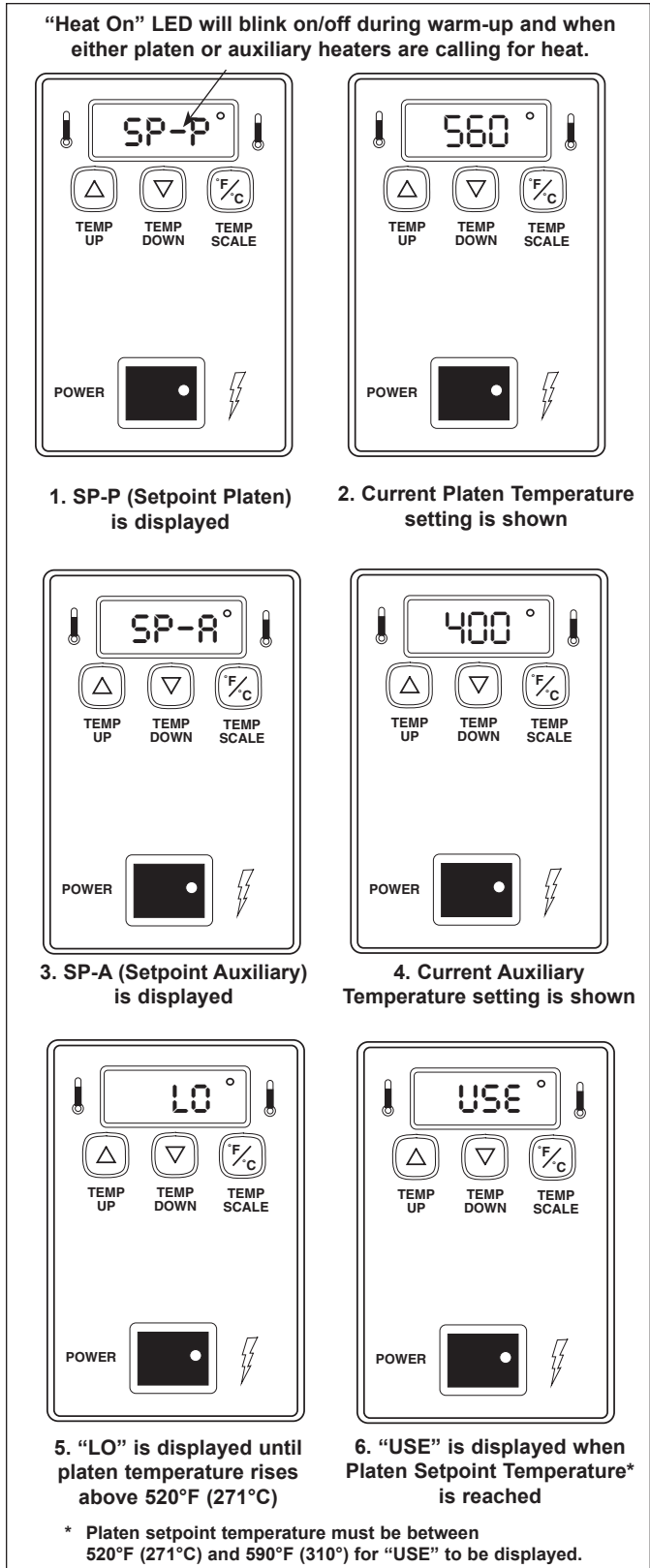


Figure 4. Temperature Power Up Sequence

OPERATION (continued)

NOTE: If no change is made within 5 seconds, the display will revert back to the previous setpoint.

Hi-Limit Reset Button

A hi-limit control will turn off electrical power to the control circuits if the unit overheats. To reset this hi-limit control, allow sufficient time (10-15 minutes) for the unit to cool down, then depress the reset button located on the rear of the unit (Figure 5).

If the unit requires continuous resetting, contact your A.J.A. Authorized Service Agency.

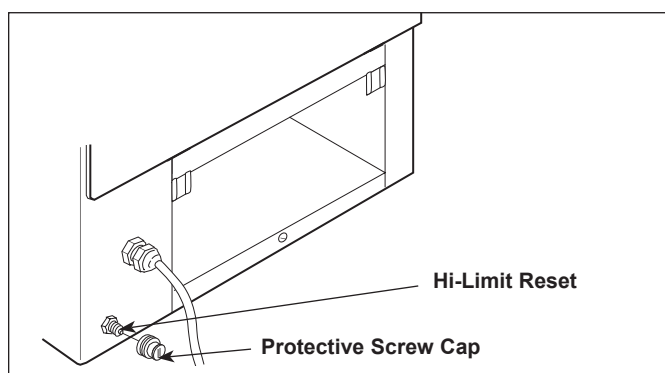


Figure 5. Hi-Limit Reset

OPERATION (continued)

Fault Codes

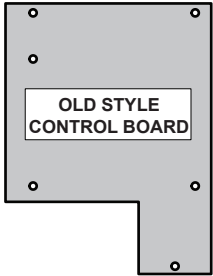
 <p>If the toaster control board resembles the OLD style shown here, refer to the Fault Message in Table 1.</p>	
FAULT CODE ON DISPLAY	FAULT CODE DESCRIPTION
"HI" Flashes on display	The platen thermocouple is disconnected or open or the platen relay is shorted. Call for service.
"HI" and "LO" flashes at cold start up	The auxiliary thermocouple is disconnected or open. Call for service.
"HI" and "USE" flashes after 30 minutes of pre-heat time	The auxiliary thermocouple is disconnected or open or the auxiliary relay is shorted. Call for service.
"CHEC"	The electrical compartment ambient temperature is above 140° F (60° C). All heaters will shut off. Check for proper airflow. Call for service.
"PO"	The incoming voltage has dropped below 175 VAC. All heaters will shut off. Call for service.
"PH"	The front and/or rear Conveyor Cover Safety Interlock Switches are not engaged or are open or the AC Isolator Board or its wiring is faulty. Call for service. Some international models only.

Table 1

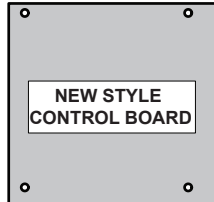
 <p>If the toaster control board resembles the NEW style shown here, refer to the Fault Message in Table 2.</p>	
FAULT CODE ON DISPLAY	POSSIBLE CAUSE(S)
Err 1	Failed Control Board (Call for Service)
Err 2	Failed Control Board (Call for Service)
Err 3	The programming dip switches were not adjusted upon installation of the universal control board. The dip switches must be adjusted to match the toaster Mfg #. Refer to document P/N 1011052 for specific settings.
Err 4	Platen Thermocouple is shorted to chassis ground (Call for Service)
Err 5	Platen Thermocouple is Loose or Disconnected or Open (Call for Service)
Err 6	Failed Control Board (Call for Service)
Err 7	Failed Control Board (Call for Service)
Err 8	Failed Control Board (Call for Service)
Err 9	The programming dip switches were not adjusted upon installation of the universal control board. The dip switches must be adjusted to match the toaster Mfg #. Refer to document P/N 1011052 for specific settings. NOTE: If the dip switches were adjusted correctly, then the AC Isolator Board or its wiring is faulty. (Call for Service)
Err 10	Failed Control Board (Call for Service)
CHEC	Ambient in electrical compartment has exceeded 140 F (60 C). Check for proper airflow. (Call for Service)

Table 2

MAINTENANCE



WARNING

Turn the unit off, disconnect the power source and allow the unit to cool down before performing any service or maintenance on the unit.

Daily cleaning

NOTE: Also refer to your MRC TS 019 card.

1. Turn the power ON/OFF rocker switch to OFF, unplug the toaster and allow it to cool down.
2. Put on Heat Resistant Gloves.
3. Remove the bun feeder and bun chute (Figure 11). Wash them at the sink and allow to air dry.
4. Remove the release sheet (Figure 9) and lay it on a clean, flat, dry surface. Spray McD® All-Purpose Super Concentrate (HCS) on a clean, dry towel. Wipe the towel firmly across the release sheet lengthwise over its entire surface. Immediately, repeat this procedure with a clean, dry towel dampened with KAYQUAT™ Sanitizer (HCS) solution and allow the release sheet to air dry. Turn the release sheet over and repeat this cleaning procedure on its' other side.
5. Open the Front (Heel/Club side) conveyor cover, spray McD® All-Purpose Super Concentrate (HCS) on a clean, dry towel and wipe the surface of the Groovy Belt Wrap firmly from side to side and then top to bottom. Immediately, repeat the procedure with a clean, dry towel dampened with KAYQUAT™ Sanitizer (HCS) solution. Close the conveyor cover and repeat this procedure on the second, Rear (Crown side) Groovy Belt Wrap.

NOTE: Do not remove the Groovy Belt Wrap from toaster.

6. Plug in the power cord and turn the unit ON. Count ten (10) seconds for 10 second toasters, or seventeen (17) seconds for 17 second toasters. Then, turn the toaster back Off and unplug it. Repeat Step 5 again on both Groovy Belt wraps, heat dampers and the surface of the inner conveyor covers.

NOTE: Make sure both conveyor safety interlock switches are activated (depressed) when the covers are closed(Figure 11, page 12) or conveyors will not rotate.

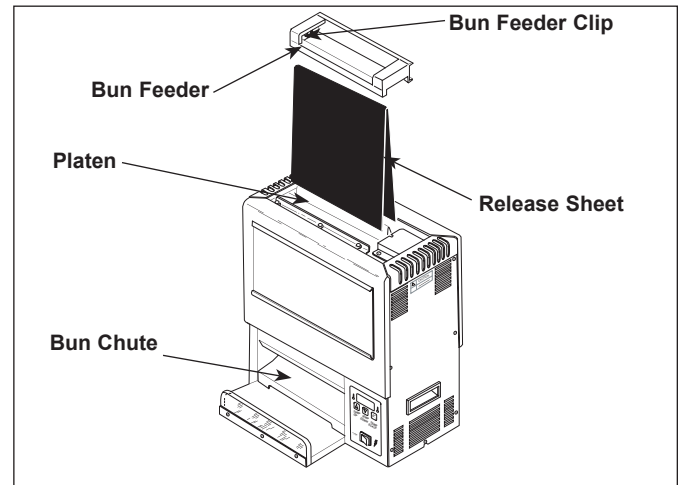


Figure 9. Removing/Installing Release Sheet

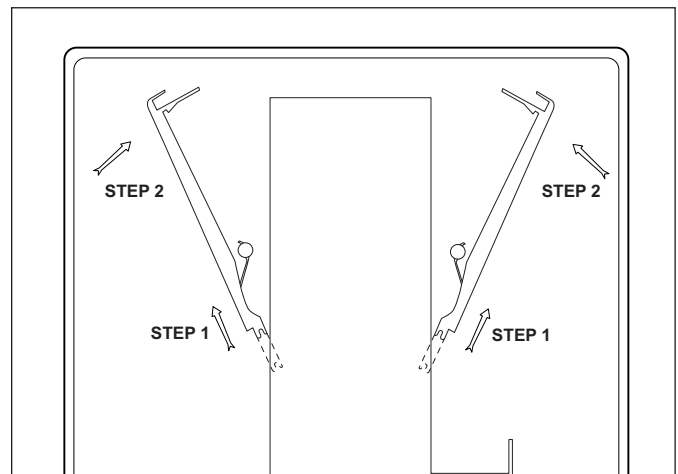


Figure 10. Conveyor Cover Opening/Closing

7. Plug the toaster back in and turn it on, fold the release sheet in half and place it over the toaster platen. Allow it to be drawn into place and positioned properly.

NOTE: Check the release sheet to make sure it is not caught in the conveyor.

8. Turn the toaster OFF and re-install the Bun Feeder and Bun Chute.
9. Wipe the entire exterior surface to the toaster with a clean, dry towel, dampened with KAYQUAT™ Sanitizer and allow it to air dry.
10. Verify that the Bun Thickness Compression Controls are set to "D & 5" for 17 second toasters. For 10 second toasters, set the controls to "B & 3."

MAINTENANCE (continued)

Monthly: Bun Temperature Test

NOTE: The minimum temperature allowed is 150° F (65.6° C). If this temperature is not achieved contact your Authorized Service Agency.

Tools Required: Pyrometer/Needle probe attachment, four 8 oz. coffee cups stacked together, plus one lid or four 12 oz coffee cups plus one lid.

1. Turn the rocker switch (power ON/OFF) to ON Preheat for 30 minutes.
2. Toast 3 regular buns to be used with the 8oz. cup stack or 4 regular buns to be used with the 12 oz. cup stack.
3. Immediately stuff the buns into the stacked cups and tightly apply the lid.
4. Wait 10 minutes
5. Insert the needle probe attachment of the pyrometer through the lid several times. Note the **maximum** temperature.

Every Month: Replace Release Sheet
Every Three Months: Replace Groovy Belt Wraps, Clean and Measure Conveyor Belts/Chains, Check Roller Tensioners and Check Temperature of Bun Landing Area.

Remove the Groovy Belt Wraps & Release Sheet

1. Turn the power On/Off rocker switch to OFF, unplug the toaster and allow it to cool down.
2. Remove the Bun Feeder, Bun Chute, and change the compression knob settings to "F & 6" (Figure 12).
3. Remove and discard the black release sheet.
4. Open the Front (Heel/Club) conveyor cover and rotate the Groovy Belt wrap so its flap is in the middle (top to bottom) of the conveyor. Pull the hinge pin out of the Groovy Belt and then remove and discard this belt wrap. Repeat this process on the Rear (Crown) side.

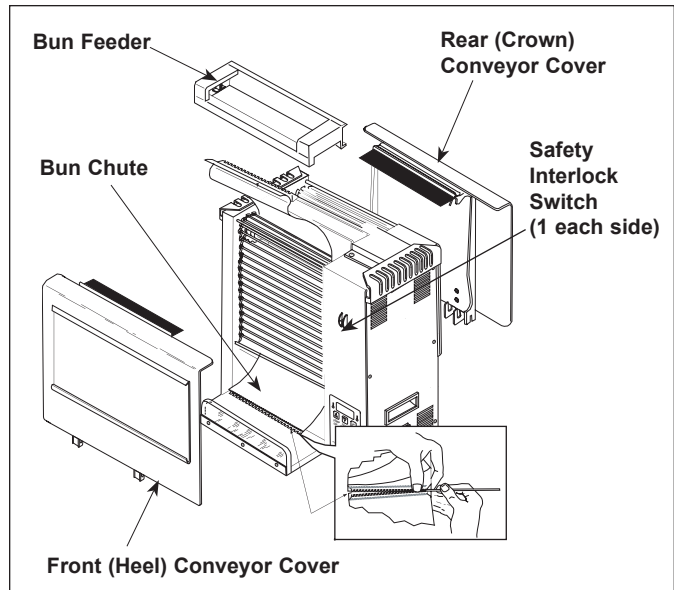


Figure 11. Replacing Groovy Belt

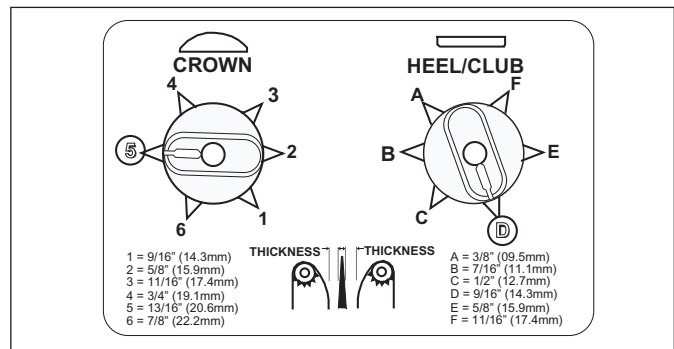


Figure 12. Bun Thickness Adjustment Controls

Clean the Conveyor Chain

1. Spray McD® All-Purpose Super Concentrate (HCS) on a clean, dry, towel and wipe the surface of the Rear (Crown) conveyor belt links firmly from side to side and top to bottom. Immediately repeat this procedure with a clean, dry, towel dampened with KAYQUAT™ Sanitizer (HCS) solution and repeat this procedure on the Front (Heel/Club) conveyor belt.
2. Close the conveyor cover(s), plug the toaster in, turn it on, count to ten (10) seconds for 10 second toasters or seventeen (17) seconds for seventeen second toasters. Next, turn the unit OFF and unplug the power cord.
3. Open the conveyor cover(s) and repeat step # 1 to clean the other half of both the Front (Heel/Club) and Rear (Crown) conveyor belts/chains.

MAINTENANCE (continued)

Measure the Conveyor Chains for Stretch

After a period of time, the conveyor links will wear and the conveyor will stretch. This may cause the conveyor to jam as it rotates on the sprockets. This is easily remedied by removing one or more links from each side of the conveyor.

NOTE: This periodic adjustment not covered under warranty. It is a user responsibility.

1. Open the front and rear conveyor covers and set the compression knobs to "6 & F".
2. Facing the heel/club side (front), locate the approximate center point of the conveyor belt/chain.
3. Pull the conveyor chain away from the edge of the toaster.
4. Stand a U.S. Quarter coin (15/16", or 2.5cm horizontally between the chain and the frame (Figure 13).

NOTE: The coin should fit securely between the chain and the frame.

5. If the gap is significantly wider than the coin (one and a half times as large) a small link will have to be removed from the conveyor chain.
6. Disconnect the conveyor belt/chain by squeezing any two links together and unhooking both ends of one link (Figure 14).

NOTE: Needle nose pliers may be required.

7. To shorten a stretched conveyor belt/chain, remove one 1/2" link from the conveyor belt.
8. Reconnect by hooking both ends of the belt back together and remeasure accordingly.

NOTE: If the belt is too short/tight to be reassembled, remove an additional 1/2" link and install a 3/4" link. This will shorten the belt 1/4" overall.

9. Reassemble the conveyor chain and repeat the measurement.

NOTE: If you CANNOT stand the coin between the chain and frame you have taken out the wrong sized link or have taken out too many links and damage may occur to the toaster.

10. Repeat steps 3 through 7 for the crown (rear) side of the toaster using a U.S. Dime coin (11/16", 1.8cm).

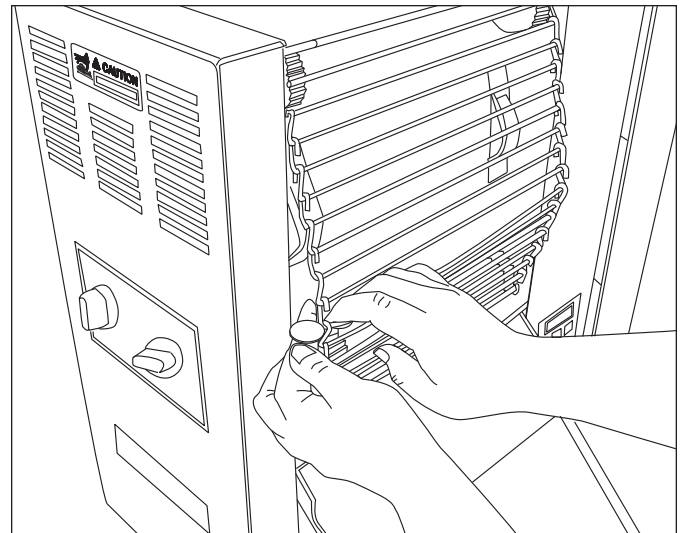


Figure 13. Measuring Conveyor Chain

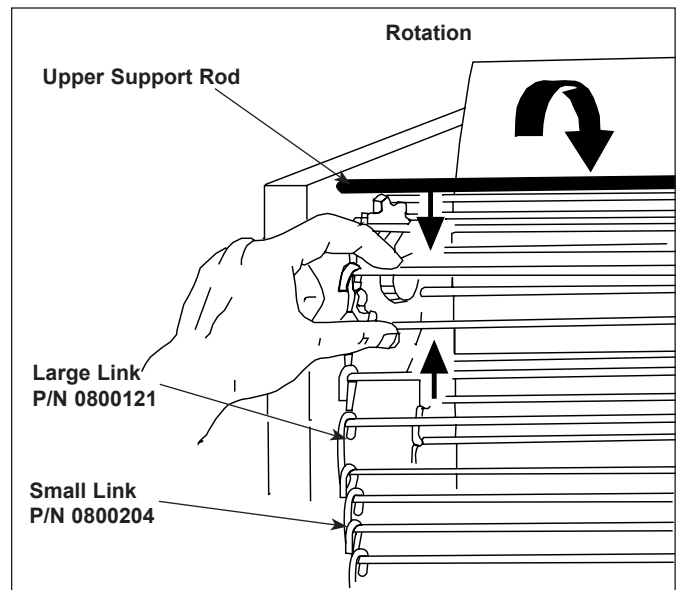


Figure 14. Removing Conveyor Chain Link

CAUTION
Loose or over tightened conveyor chains can damage the toaster.

MAINTENANCE (continued)

REPLACING GROOVY BELT WRAPS

NOTE: Follow steps 1-3, page 12 if necessary.

1. Locate hinge flap on belt wrap, if hinge flap is not visible; plug in power cord and turn unit on, press down on both interlock switches (Figure 11) and wait until hinge flap is exposed and centered.
Turn unit off and unplug the power cord, lift flap, remove pin, and carefully remove the belt wrap from the unit (Figure 15). Discard this belt. Repeat this process for the rear (Crown) side.
2. Install the new belt wraps with the “zipper” flap hanging down and the wavy lines facing out, as shown in in Figure 17.

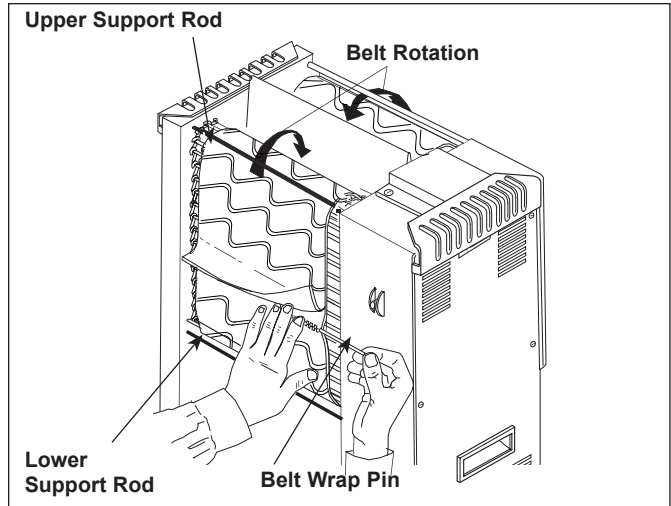


Figure 15. Replacing Groovy Belt

CAUTION

Be sure groovy belt wrap ends are aligned as shown in Figure 16 or damage to the belt wrap will occur.

NOTE: The Groovy belts must be installed inside the support rods. The flap, which covers the connecting hinge, is located on the (wavy) side of the belt. The (wavy) side should be installed facing the outside of the toaster. The flap should be in the down position (Figures 15 & 17).

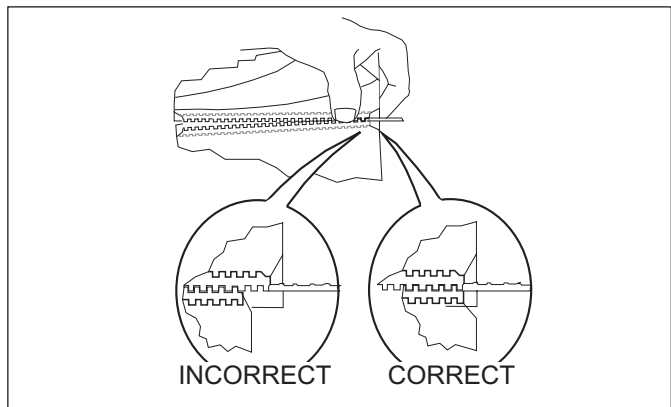


Figure 16. Aligning Belt Teeth

CAUTION

Be sure groovy belt wrap is positioned **INSIDE** the upper and lower support rods or damage to the belt wraps will occur.

3. Close the front and rear conveyor covers by lifting the covers and gently pushing upward and into the toaster until the covers latch onto the support rods.

NOTE: Make sure **both** conveyor safety interlock switches are activated (depressed) when the covers are installed (Figure 11) or conveyors will not rotate.

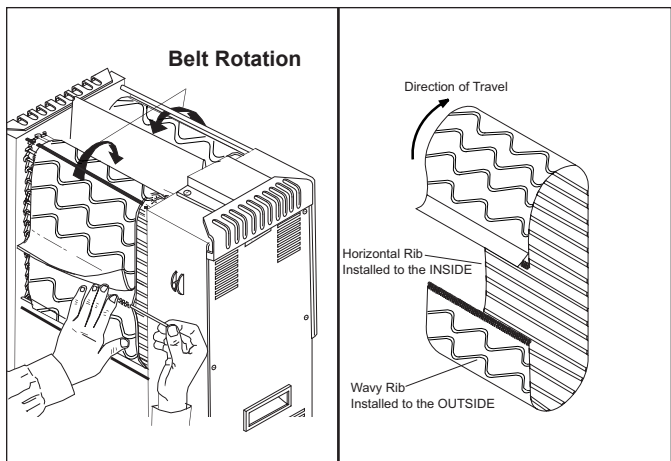


Figure 17. Correct Groovy Belt Wrap Installation

MAINTENANCE (continued)

Install New Release Sheet (monthly)

CAUTION

Failure to use release sheets will result in damage to the unit and loss of warranty coverage.

1. Fold a new release sheet in half, creasing the fold only with your fingers, (Figure 18 and place it over the platen. Allow the conveyor to draw it into place and verify that it is positioned properly (Figure 9, page 11).

NOTE: Additional Release Sheets can be obtained through your Authorized Service Agency. Use only your fingers to crease the fold. DO NOT use any metal, wood, or plastic devices as they will damage the Release Sheet.

2. Re-install the Bun Feeder and Bun Chute and allow the toaster 30 minutes to warm up.

Check the Temperature of the Bun Landing Shelf

IMPORTANT: If the toaster is equipped with a Bun Buffer Landing Zone (BBLZ), you MUST remove the BBLZ BEFORE performing the temperature measurement in Step 1 below. This temperature measurement is intended to be taken WITHOUT the BBLZ attached to the toaster.

1. Take the temperature of the Bun Landing Area at its center directly in front of the Bun Chute with a Pyrometer/Surface Temperature (grill) Probe. The minimum temperature acceptable is 130° F (54° C). If it is less, contact your Authorized Service Agency or the Technical Service Department of A.J. Antunes & Co. at 877-392-7854 (for the U.S. & Canada only) or 630-784-1000.
2. If a Bun Buffer Landing Zone was removed from the toaster in Step 1, re-attach it after completing Step 1.

Adjusting, Measuring and/or Replacing Roller Tensioner Assemblies

NOTE: Measure the roller tensioners. They should be 13/16" (2.1cm), or the height of a U.S. Nickel coin from the bottom of the roller to the inner cover (as illustrated in figure 19) and adjust or replace them accordingly. If they have been damaged, they should be replaced:

1. Remove screws from acorn nuts (Figure 20) and remove old roller tensioner assy.

2. Replace tensioner assy. and reassemble.
3. Make sure the spacers are placed inside the tensioner arm. The spacers are smaller than the holes to allow the tensioner to pivot freely.
4. Set the compression knobs back to "D" & "5" for 17 second toasters. For 10 second toasters, set the controls to "B" & "3." Plug in the power cord, and turn the unit on.

NOTE: Refer to figures 2A and 2B in the Operation section of this manual.

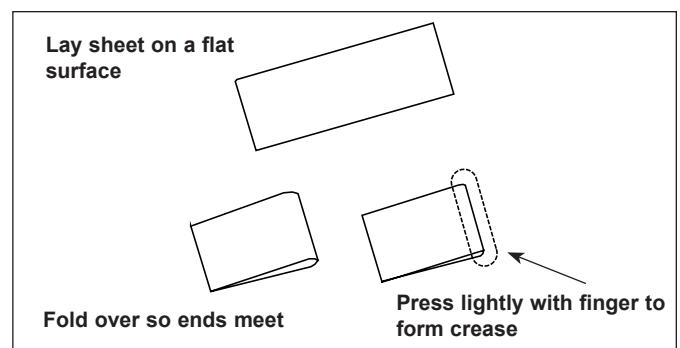


Figure 18. Folding Release Sheet

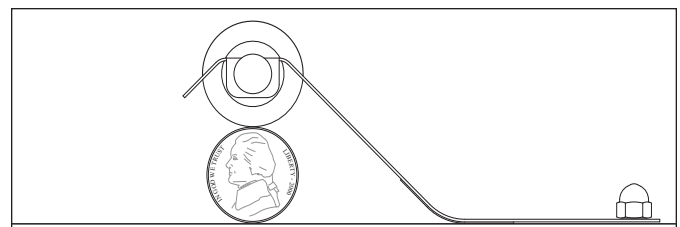


Figure 19. Measuring Roller Tensioner

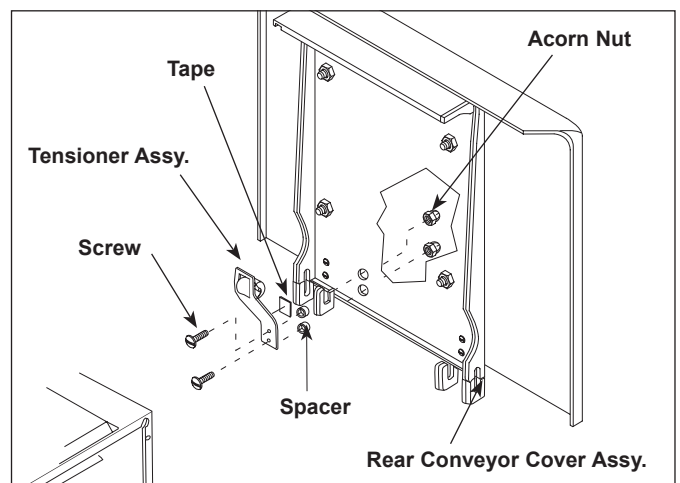


Figure 20. Replacing Roller Tensioner Assy.

TROUBLESHOOTING

WARNING

To avoid possible personal injury and/or damage to the unit, inspection, test and repair of electrical equipment should be performed by qualified service personnel. The unit should be unplugged when servicing, except when electrical tests are required. Use extreme care during electrical circuit tests. Live circuits will be exposed.

Problem	Possible Cause	Corrective Action
No Display. No light on Power Switch	Unit Not Plugged in.	Plug power cord into proper power outlet.
	Hi-Limit tripped.	Reset Hi-Limit switch.
	Circuit Breaker tripped.	Reset Circuit Breaker.
	Power Cord and/or plug are damaged.	Contact your maintenance person or an Authorized Service Agency for service.
	Inoperable on/off switch.	
Temperature display flashes "PO."	Voltage to the unit is below 190 volts.	Turn the Rocker Switch (power On/Off) to OFF, then On. If the display shows "PO" again, check the power cord and plug receptacle for damage.
		Reset Circuit Breaker located at the store's power panel.
		Contact your maintenance person or Authorized Service Agency for service.
Temperature display reads "LO."	Platen temperature is below 420° F (216° C).	Allow thirty minutes for warmup and recheck the display.
		Contact your maintenance person or Authorized Service Agency for service.
Temperature display flashes "HI" at cold start.	Platen Thermocouple is disconnected or open.	Reattach or replace Platen Thermocouple.
	Inoperable Control Board.	Contact your maintenance person or Authorized Service Agency for service.
Temperature display flashes "HI" and "LO" at cold startup.	Auxiliary Thermocouple is disconnected or open.	
After preheat time, display flashes "HI" and "USE."		
Temperature display flashes "HI" and "USE" after unit has been preheated, and belt wraps may start to smoke.	Auxiliary circuit overheating due to auxiliary solid state relay shorted closed.	
Display reads "CHEC".	Ambient temperature in control compartment too high.	"CHEC" is showing in temperature display. Turn toaster off and allow control compartment to cool down to 140°F (60°C) and restart toaster. Be sure cooling fan is operating and nothing is blocking the flow of cooling air to bottom of toaster.

TROUBLESHOOTING (continued)

Problem	Possible Cause	Corrective Action
Conveyor Belt/Chain does not turn or skips sprockets.	Compression Knobs.	Set the Bun Thickness Compression Controls to "D & 5" for 17 second toasters. For 10 second toasters, set the controls to "B & 3" (see Figures 2A & 2B).
	Interlock Switches not Activating.	Verify the Covers are installed correctly. Repair or replace damaged conveyor inner cover.
		Switches are inoperable - Contact your Maintenance person or an Authorized Service Agency for service.
	Conveyor Chain Stretched.	Open Conveyor Covers. Set Compression Knobs to 6 and F. Facing the Heel/Club side, locate the approximate center point of the Groovy Belt Wrap. Pull the Conveyor Chain away from the edge of the toaster. Stand a U.S. Quarter coin (15/16" - 2.5 cm) on end between the frame and the chain. If the gap is significantly greater, REMOVE link(s) - Refer to the Maintenance section of this manual. If you cannot stand a coin in the gap, you may have to ADD a link. Duplicate the procedure for the Crown side using a U.S. Dime coin (11/16" - 1.8 cm).
	Roller Tensioner bent or missing.	Adjust bent Roller Tensioner - measured to 13/16" (2.1 cm) or the height of a U.S. Nickel coin from the bottom of the roller to the inner cover. Note: Damaged Roller Tensioners should be replaced.
Motor Drive Chain is off or dry. Motor drive does not operate.	Have a maintenance person or your Authorized Service Center reinstall and/or lubricate the chain, inspect all electrical connections and, if necessary, replace motor.	
Groovy Belt Wrap(s) stop turning, but Conveyor Chain continues to turn	Underside of Groovy Belt Wrap(s) and Conveyor Chain have excessive caramelizing buildup.	Clean Belt Wrap and Chain as per current MRC, TS 019.
Flap covering Connecting hinge or wavy rib on belt wrap is getting torn or worn.	The inner Conveyor Cover is damaged	Repair or replace the inner Conveyor Cover.
	Groovy Belt Wrap is installed upside down.	Reinstall Belt Wrap with flap down.
Belt Wrap(s) are tearing in center.	Missing or bent Roller Tensioner(s).	Replace or adjust bent Roller Tensioner - measured to 13/16 (2.1 cm) or the height of a U.S. Nickel coin from the bottom of the Roller to the inner back cover.

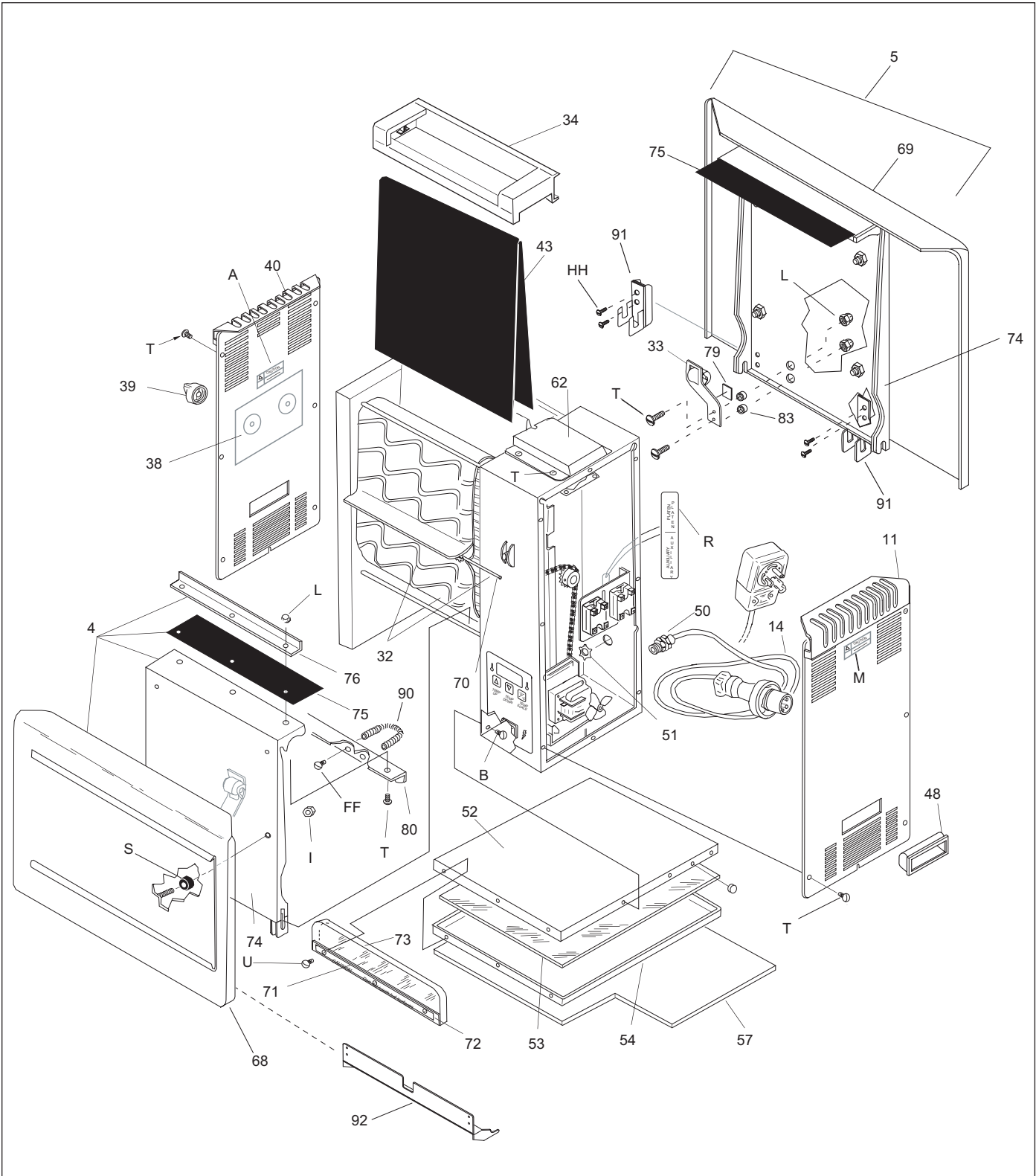
TROUBLESHOOTING (continued)

Problem	Possible Cause	Corrective Action	
Groovy Belt Wrap does not fit, is difficult to install, or is not long enough	Groovy Belt Wrap is installed improperly.	Check to be sure Groovy Belt WRap is not placed over upper or lower Support Rods. Be sure the open end of the flap is away from the direction and rotation, and is located toward the outside of the Groovy Belt Wrap.	
	Groovy Belt Wrap is damaged.	Replace Groovy Belt Wrap.	
The only item that operates is the cooling fan (conveyor and heat inoperable).	Hi-Limit Control is tripped open.	Reset Hi-Limit Control as shown in the Maintenance section of this manual. Note: If the Hi-Limit trips again, contact your Authorized Service agency for service.	
Platen is hot and Conveyor Belt/Chains do not move.	Conveyor Cover Assemblies not installed.	Install Conveyor Cover Assemblies.	
	Conveyor Belt/Chains installed incorrectly.	Install the Conveyor Belt/Chains according to the Maintenance Section of this manual. Be sure the ends of the hooks are facing down.	
	One or both Conveyor Interlock Switches not activated by Conveyor Covers.	Install Conveyor Cover Assembly correctly according to the Maintenance section of this manual.	
Buns are not toasting properly.	Compression Settings are incorrect.	Set the Bun Thickness Compression Controls to "D & 5" for 17 second toasters. For 10 second toasters, set the controls to "B & 3" (see Figures 2A & 2B).	
	Toaster temperature not set properly.	Verify the toaster is set at SP-P 560° F (293° C) for the Platen, and SP-A 400° F (204° C) for the auxiliary. Refer to the Operation section of this manual.	
	Release Sheet dirty or worn.	Follow cleaning and replacement procedure on the current MRC, TS 019.	
	Groovy Belt Wrap dirty or worn		
	Bun temperature below 150° F (65.6° C).	Perform the bun temperature test as described on the current MRC Card.	Replace worn Dampers and/or missing Springs.
			Contact your Authorized Service Agency for these parts
Buns cut improperly.	Contact your bun supplier.		
Crown and/or heel must be forced into toaster.	Bun Feeder improperly installed.	Remove and reposition Bun Feeder.	
	Groovy Belt Wrap not tacky or is worn.	Clean or replace Groovy Belt Wrap.	
	Crown and/or heel improperly inserted into toaster.	Buns must be inserted with cut faces facing inward towards each other; heel in front slot and crown in rear slot.	
	Groovy Belt Wrap slipping over Conveyor Belt Chains.	Clean Conveyor Belt/Chains according to the Maintenance Section of this manual.	

TROUBLESHOOTING (continued)

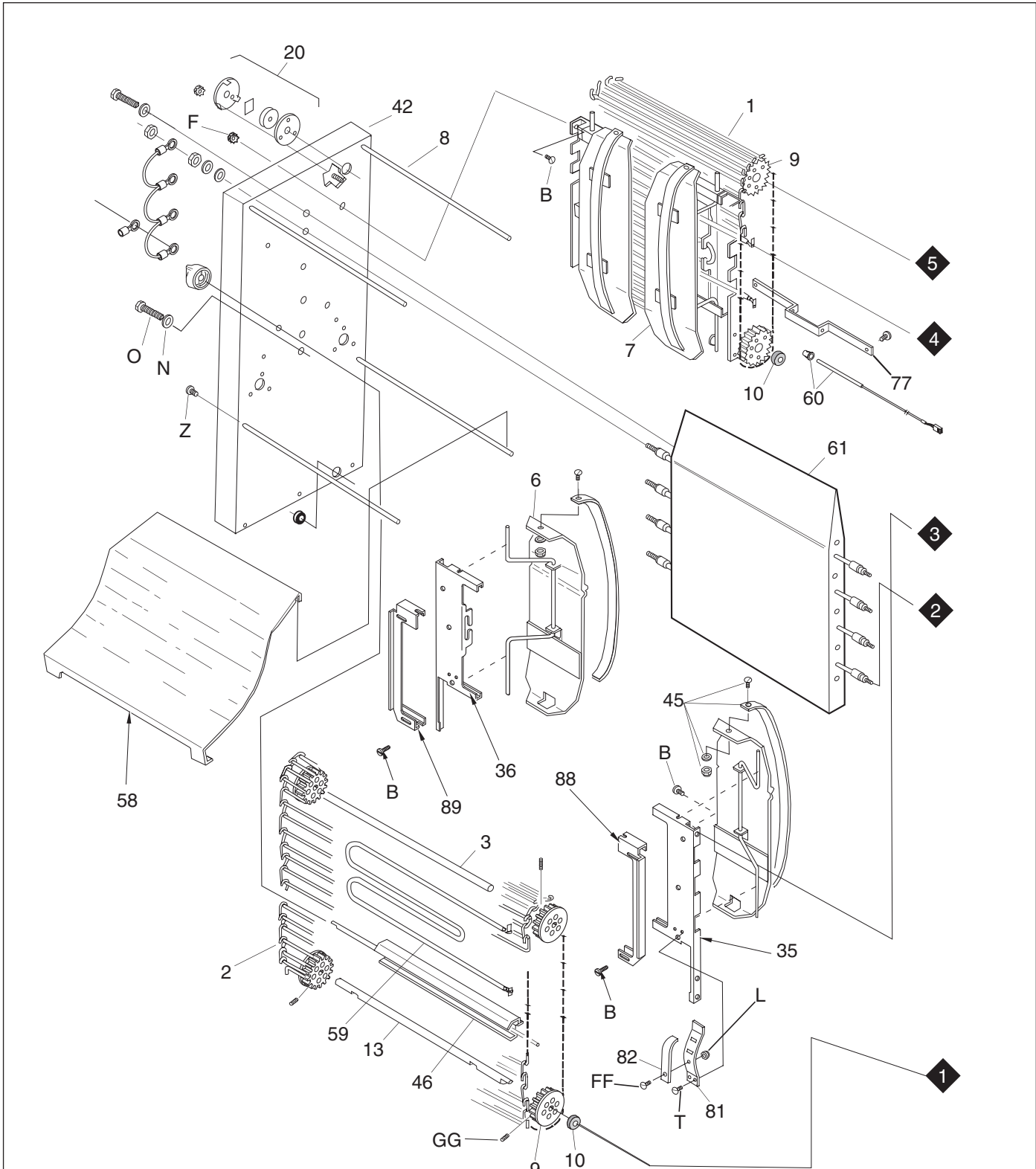
Problem	Possible Cause	Corrective Action
Buns Sticking	Compression Settings incorrect.	Set the Bun Thickness Compression Controls to "D & 5" for 17 second toasters. For 10 second toasters, set the controls to "B & 3" (see Figures 2A & 2B).
	Improper cleaning of the Release Sheet and or Groovy Belt Wrap.	Follow the cleaning and/or replacement instructions on the current MRC Card and immediately clean the "APSC" off with a clean, dry towel dampened with sanitizer solution.
	Roller Tensioner out of position.	Adjust or replace Roller Tensioner according to the Maintenance section of this manual. Note: Replace a damaged Roller Tensioner.
Product is over-toasted or Platen heat is too high or drop time is too slow.	Temperature set too high	Reset Platen temperature to 560°F (293°C).
	Bun Adjustment Controls set incorrectly.	Set Bun Adjustment Controls correctly. Refer to the Operation section of this manual.
	Groovy Belt Wraps worn and not permitting belt to pull buns across Platen in required time.	Clean or replace Groovy Belt Wrap.
	Groovy Belt not Tacky.	
	Buns Sticking on Release Sheet.	Clean or replace Release Sheet.
	Groovy Belts installed incorrectly.	Re-install Groovy Belts according to the Maintenance section of this manual.
	Defective Drive Chain or loose sprocket.	Contact your maintenance person or Authorized Service Agency.
	Defective Drive Motor or wrong RPM Drive Motor.	
Defective Temperature Display Control.		
Product is under toasted or Platen heat is too low or drop time is too fast.	Temperature set too low.	Reset Platen temperature to 560°F (293°C).
	Compression Settings incorrect.	Set the Bun Thickness Compression Controls to "D & 5" for 17 second toasters. For 10 second toasters, set the controls to "B & 3" (see Figures 2A & 2B).
	Groovy Belt Wrap slipping or stretched.	Clean and adjust Conveyor Belt/Chain. Refer to the Maintenance section of this manual.
	Platen Thermocouple is defective.	Contact your maintenance person or Authorized Service Agency.
	Defective Control Board.	
Unit makes high-pitched squeal or whining noise.	Drive motor.	If noise is identified as coming from the motor, replace the motor.
	Bearings.	Replace bearings.
	Ball Bearings.	Replace Ball Bearings.

REPLACEMENT PARTS



NOTE: Hardware List for items A-Z and BB-EE is on page 26.

REPLACEMENT PARTS (continued)



NOTE: Hardware List for items A-Z and BB-EE is on page 34.

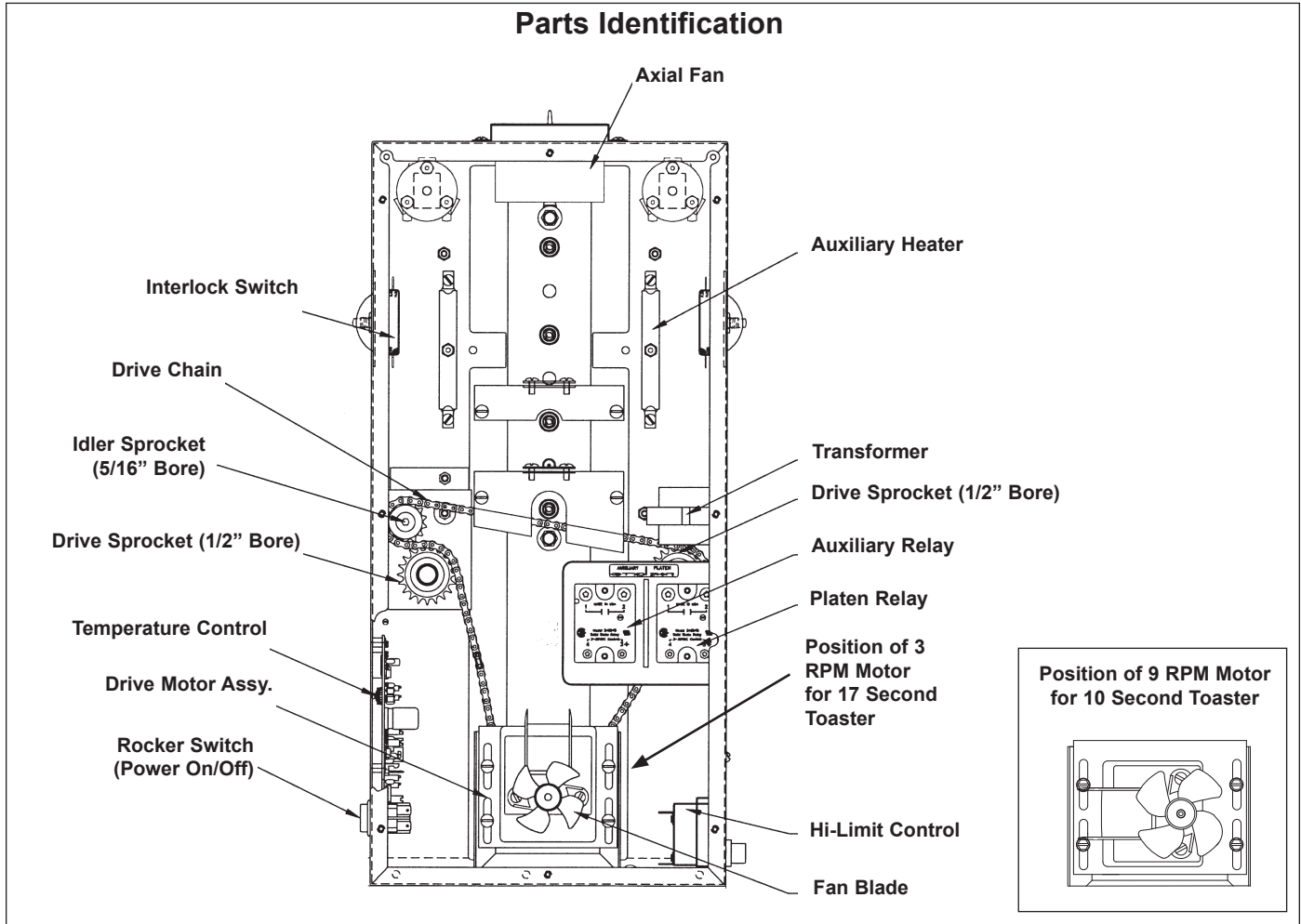
REPLACEMENT PARTS (continued)

Item	Part No.	Description	Qty.
1	0011266	Conveyor Belt Assy. (Crown) A&B	1
A	0800204	1/2" Pitch Link, Small	2
B	0800121	3/4" Pitch Link, Large	38
2	0011264	Conveyor Belt Assy. (Heel) A&B	1
A	0800204	1/2" Pitch Link, Small	4
B	0800121	3/4" Pitch Link, Large	37
3	2150117	Idler Shaft	2
4	7000251	Conveyor Cover Assy., Frnt. (Heel/Club)	1
5	7000252	Conveyor Cover Assy., Rear (Crown)	1
6	0011242	Tensioner Assy., Front	2
7	0011262	Tensioner Assy., Rear	2
8	0800332	Rod, Conveyor Cover	4
9	7000207	Sprocket w/Setscrew	8
10	7000199	Spacer Kit (Pack of 2)	1
11	7000230	Control Cover (Incl. #48)	1
13	2150118	Drive Shaft	2
14	0700482	Power Cord/Plug, Pin & Sleeve (Std.) Mfg. No. 9200500	1
	0700495	Power Cord/Plug, Twist & Lock Angle Mfg. No. 9200502	1
	0700577	Power Cord/Plug, Twist & Lock Straight Mfg. No. 9200504 & 9200512	1
15	7000739	Control Board Kit	1
16	7000296	Ball Bearing (Pack of 2)	1
20	7000167	Bearing & Retainer Kit *(See note below)	6
21	2150181	Sprocket, Drive w/Setscrew	2
22	2150215	Drive Chain for 17 Second Toasters	1
	2150187**	Drive Chain for 10 Second Toasters	
23	0011299	Idler Sprocket & Bearing	1
24	0501232	Bracket, Idler Sprocket	1
25	0503589	Bracket, Motor Mounting	1
26	7000364	Drive Motor Kit (Incl. #78) 3 RPM, for 17 Second Toasters	1
	7000240**	Drive Motor Kit (Incl. #78) 9 RPM for 10 Second Toasters	1
27	2150112**	Sprocket, Motor w/Setscrew, 28 tooth 60 Hz, for 17 Second Toasters.	1
	2150129	Sprocket, Motor w/Setscrew, 16 tooth 60 Hz, for 10 Second Toasters	1
	2150110	Sprocket, Motor w/Setscrew, 20 tooth 50 Hz, for 10 Second Toasters	1
28	7000882	Power Switch Replacement Kit	1
29	406K006	Terminal Block	1
30	405K125	Relay, Solid State	2
31	4010187	Transformer	1
32	7000183	Conveyor Belt Wrap (Pack of 2)	1
33	7000186	Roller Tensioner Assy. (Pack of 2)	1
34	0021164	Bun Feeder	1
35	0503496	Tensioner Bracket, RH	2
36	0503497	Tensioner Bracket, LH	2
37	1001006	Label, Control	1
38	10P1118**	Label, Dial (Pack of 10) For 17 Second Toasters. YELLOW in Color.	1
	10P1026	Label, Dial (Pack of 10) For 10 Second Toasters. GRAY in color.	1
39	2100253	Knob, Control	2
40	7000232	Cover, End	1
41	4050214	Thermocouple Assy. (Platen)	1
42	0021175	Weldment, End Housing	1

Item	Part No.	Description	Qty.
43	7000110	Release Sheet (Pack of 3)	-
	7000111	Release Sheet (Pack of 10)	-
44	0021174	Control Housing	1
45	7000121	Slide Rail Kit (Includes 2 slide rails for 2 tensioners)	2
46	0021183	Conveyor Cam	2
47	7000176	Thermocouple Retainer Kit	1
48	2100212	Lifting Handle	2
49	4030332	High Limit Thermostat	1
50	0400315	Strain Relief	1
51	0400138	Locknut, 1/2"	1
52	0503405	Base, Outer	1
53	4030326	Heater, Bun Landing	1
54	0503407	Base, Inner	1
55	0503590	Bracket, Motor	1
56	0700570	Wire Set (not shown)	1
57	0200211	Gasket, Base	1
58	0503425	Bun Chute	1
59	4030327	Auxiliary Heater, Air (208/230 Volt)	2
60	7000165	Auxiliary Thermocouple Kit	1
61	7000191	Platen (208/230 VOLT)	1
62	0021182	Weldment, Fan Duct	1
63	4000202	Axial Fan	1
65	4010107	Interlock Switch	2
66	0503359	Bracket, Relay	1
67	0503150	Heater Clip	2
68	0021177	Heat Shield, Front	1
69	0021178	Heat Shield, Rear	1
70	303P127	Hinge Pin, Belt Wrap (Pk. of 10)	1
71	1001023	Label, Caution Hot	1
72	0503368	Fascia, Bun Stop	1
73	0900225	Bun Stop	1
74	7000226	Inner Conveyor Cover (w/hinge bracket)	2
75	7000248	Damper Kit (Includes 4 - #90 & 2 Dampers)	1
76	0503367	Clamp, Damper	2
77	0503321	Bracket, Auxiliary Thermocouple	1
78	4000157	Fan Blade, Motor MFG# 9200500, 502, & 504	1
	4000170	Fan Blade, Motor MFG# 9200512	1
79	2100252	Slip Strip	2
80	0503448	Damper Support Bracket	2
81	0503455	Tension Spring, Inner	4
82	2100259	Slide Bar	4
83	0502199	Spacer	4
84	0500464	Retainer, Bearing	1
85	0900228	Bun Gauge	1
87	7000203	Thermocouple Retainer/Chain Guard Kit	1
88	0503495	Retainer, Tensioner Bracket, RH	2
89	0503507	Retainer, Tensioner Bracket, LH	2
90	060P132	Damper Support Spring (Pack of 10)	1
91	0021311	Hinge Bracket Weldment	4
92	0503860	Hing Bracket (Mfg. # 9200512 - Japan Only)	1
*Note:			
	7000167	Single Bushing & Retainer Kit	6
	7000224	6 Bushing & Retainer Kits	1
** See "Toasting Time Change" in the Specification Section of this manual.			

REPLACEMENT PARTS (continued)

Parts Identification



Hardware List

The following items are only available in packages of 10.

Item	Part No.	Description	Qty.
A	100P864	Label, Caution Hot	1
B	308P115	Screw, #8-32 x 3/8" (10 mm)	10
C	310P154	Screw, #10-32 x 3/8"	4
D	304P105	Nut, #4-40, "KEPS"	1
E	406P107	Cable Tie	1
F	308P143	Nut, #8-32, "KEPS"	3
G	310P103	Screw, #10-32 x 1/4"	1
H	310P140	Washer, #10	3
I	308P101	Nut, #8-32	3
J	306P101	Nut, Hex, #6-32	1
K	306P123	Screw, #6-32 x 7/8"	1
L	308P145	Nut, Hex Acorn, #8-32	1
M	100P900	Label, Service	1
N	325P104	Washer, 1/4"	1
O	325P109	Screw, 1/4-20 x 1/2"	1
P	308P124	Screw, 1-Way, #8-32 x 1/2"	1
R	10P1022	Label, Heaters	1

Item	Part No.	Description	Qty.
S	212P111	Spacer	1
T	308P157	Screw, #8-32 x 1/4"	1
U	308P120	Screw, #8-32 x 5/8"	1
V	308P104	Screw, #8-32 x 3/8"	1
W	308P105	Screw, #8-32 x 1/2"	1
X	331P103	Shoulder Bolt, 5/16-18 x 1"	1
Y	040P111	Bushing, Shorty, 1/2" (not shown)	1
Z	306P105	Screw, #6-32 x 1/2"	1
BB	331P106	Lockwasher, 5/16"	1
CC	212P118	Flat Washer, 5/16"	1
DD	331P101	Nut, Hex, 5/16 x 18"	1
EE	300P102	Nut, Tinnerman	2
FF	306P104	Screw, #6-32 x 1/4"	8
GG	325P163	Setscrew, 1/4-28 x 5/16"	8
HH	308P183	Screw, Hexhead #8-32 x 3/8"	1

Ladder Wiring Diagram

