

Place this manual in the Toaster section
of your Equipment Manual.
Manufactured exclusively for
McDONALD'S®

BY
A.J. ANTUNES & CO.
180 KEHOE BLVD.
CAROL STREAM, ILLINOIS 60188, U.S.A.
PHONE: 1-630-784-1000
TOLL FREE: 1-877-392-7854
FAX: 1-630-784-1650
www.ajantunes.com

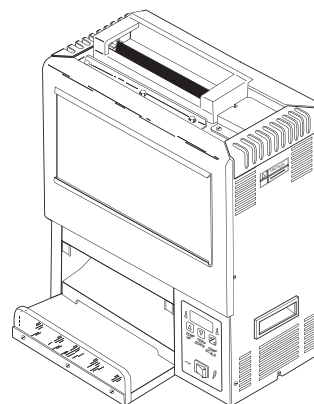


TABLE OF CONTENTS

Owner Information	2	Fault Codes	10
General	2	Maintenance	11
Warranty Information	2	Daily Cleaning	11
Service/Technical Assistance	2	Bun Temperature Test (Monthly)	12
Specifications	3	Replace Release Sheet (Monthly)	12
Model Specifications	3	Replace Belt Wraps (Every 3 Months)	13
Electrical Cord & Plug Configurations	3	Clean the Conveyor Belt Chain (Every 3 Months)	14
Dimensions	4	Measure the Conveyor Belt Chains for Stretch (Every 3 Months)	15
Weights	4	Check the Temperature of the Bun Landing Area (Every 3 Months)	16
Important Safety Information	5	Check the Roller Tensioners (Every 3 Months)	16
Installation	6	Troubleshooting	17
Unpacking	6	Replacement Parts	20
Assembling the Unit	6	Wiring Diagrams	26
Location	6	NOTES	27
Operation	7		
Operating Instructions	7		
Toaster Operation	8		
Hi-Limit Reset Button	9		

LIMITED WARRANTY

The Antunes Food Service Equipment Division of A.J. Antunes & Co. provides the following limited warranty to the original purchaser of all McDonald's Equipment. All components are warranted against defects in the material and workmanship for a period of two (2) years from date of original installation, not to exceed 30 months from date of shipment from our factory. If any part becomes defective during the first two (2) years after the original installation date, Antunes Food Service will pay negotiated straight time labor costs to an Authorized Service Agent to replace the part, plus travel expenses up to 50 miles/80 km, 1 hour each way (100 miles/160 km, 2 hours round trip).

WARRANTY EXCLUSIONS

- The cost of installation.
- Equipment that has been damaged due to shipment. Purchaser should make damage claim directly upon carrier.
- Alteration, misuse, or abuse.
- Improper storage or handling.
- Improper maintenance.
- Failure to follow proper installation instructions, including electrical connection.
- Improper or unauthorized repairs.

- Scheduled Maintenance procedures as outlined in your MRC Card.
- Consumables such as Grill Covers (Release Sheets), gaskets, Conveyor Belt Wraps, O-rings, and light bulbs.
- Overtime or holiday charges.
- Mileage over 50 miles/80 km (100 miles/160 km round-trip), or travel time over two (2) hours.
- Freight, foreign, excise, municipal or other sales or use taxes.
- Consequential damages such as loss of profit, loss of time, the cost of repairing or replacing other property which is damaged, or any other incidental damage of any kind.

Antunes Food Service reserves the right to make changes in design or add improvements on any products. The right is always reserved to modify equipment because of factors beyond our control and government regulation. Changes to equipment do not constitute a warranty charge.

This warranty is exclusive and is in lieu of all other warranties, expressed or implied, including any implied warranty of merchantability or fitness for a particular purpose, each of which is expressly disclaimed. The remedies described above are exclusive, and in no event shall A.J. Antunes & Co. or any of its Divisions be liable for special consequential or incidental damages for the breach or delay in the performance of this warranty.

**This manual is for the exclusive use of licensees and employees of McDonald's Systems, Inc. © McDonald's Corporation
All Rights Reserved.**

OWNER INFORMATION

General

This manual is produced for the Rapid Toaster.

The Rapid Toaster is designed for contact toasting of buns. This design allows the operator to place buns on both sides of the heated Platen at the same time. Buns are placed into the Bun Feeder on the top of the toaster and are toasted to a uniform golden brown. The finished buns then emerge at the base of the toaster.

This manual provides the safety, installation, and operating procedures for the Rapid Toaster. We recommend that this manual be read prior to installing and operating the unit.

The Rapid Toaster is manufactured from the finest materials available and assembled to Roundup's strict quality standards. This unit has been tested at the factory to ensure dependable trouble-free operation.

Warranty Information

Please read the full text of the Limited Warranty in this manual. If the unit arrives damaged, contact the carrier immediately and file a damage claim with them. Save all packing materials when filing a claim. Freight damage claims are the responsibility of the purchaser and are not covered under warranty.

SERVICE/TECHNICAL ASSISTANCE

If you experience any problems with the installation or operation of your unit, contact your Authorized Service Agency.

Fill in the information below and have it handy when calling your Authorized Service Agency for assistance. The serial number is on the specification plate located on the rear of the unit.

Purchased From: _____

Date of Purchase: _____

Model No.: _____

Serial No.: _____

Mfg. No.: _____

Refer to the service agency directory packaged with your manual and fill in the information below:

Authorized Service Agency

Name: _____

Phone No.: _____

Address: _____

Use only genuine Roundup replacement parts in this unit. Use of replacement parts other than those supplied by the manufacturer will void the warranty. Your Authorized Service Agency has been factory trained and has a complete supply of parts for this toaster.

You may also contact the factory at 1-877-392-7854 (North America only), or 630-784-1000 if you have trouble locating your Authorized Service Agency.

To locate your nearest International Authorized Service Agency, log onto the McDonald's web site at www.mcdonalds.com and follow the on-screen directions.

IMPORTANT! Keep these instructions for future reference. If the unit changes ownership, be sure this manual accompanies the equipment.

SPECIFICATIONS

⚠ CAUTION ⚠

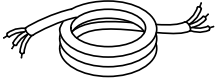
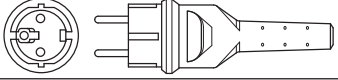
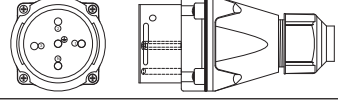
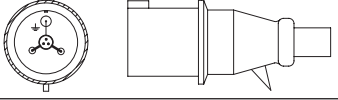
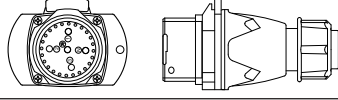
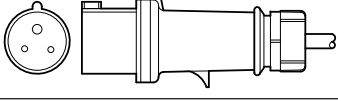
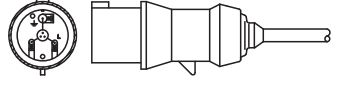
All electrical connections must be in accordance with local electrical codes and any other applicable codes.

⚠ WARNING ⚠

ELECTRICAL SHOCK HAZARD. FAILURE TO FOLLOW THE INSTRUCTIONS IN THIS MANUAL COULD RESULT IN SERIOUS INJURY OR DEATH.

- Electrical ground is required on this appliance.
- Do NOT modify the power supply cord plug. If it does not fit the outlet, have a proper outlet installed by a qualified electrician.
- Do NOT use an extension cord with this appliance.
- Check with a qualified electrician if you are unsure if the appliance is properly grounded.

Electrical Cord & Plug Configurations

Letter Code*	Description	Configuration
H	Harmonized Cord	
(H)C**	CEE 7/7, 16 Amp., 250 VAC (Assembly Only).	
(H)B**	Marechal Pin & Sleeve 32 Amp., 220-250 VAC (Australia)	
(H)I**	IEC-309, 16 Amp., 250 VAC., Pin & Sleeve (Assembly Only).	
(H)M	Marechal Pin & Sleeve 32 Amp., 220-250 VAC. (New Zealand)	
(H)I	IEC-309 230 VAC Non-Molded Plug (China Only)	
(H)I	IEC 309-Plug, 32 Amp., 230 VAC Three pin.	

* Used in Model Designation

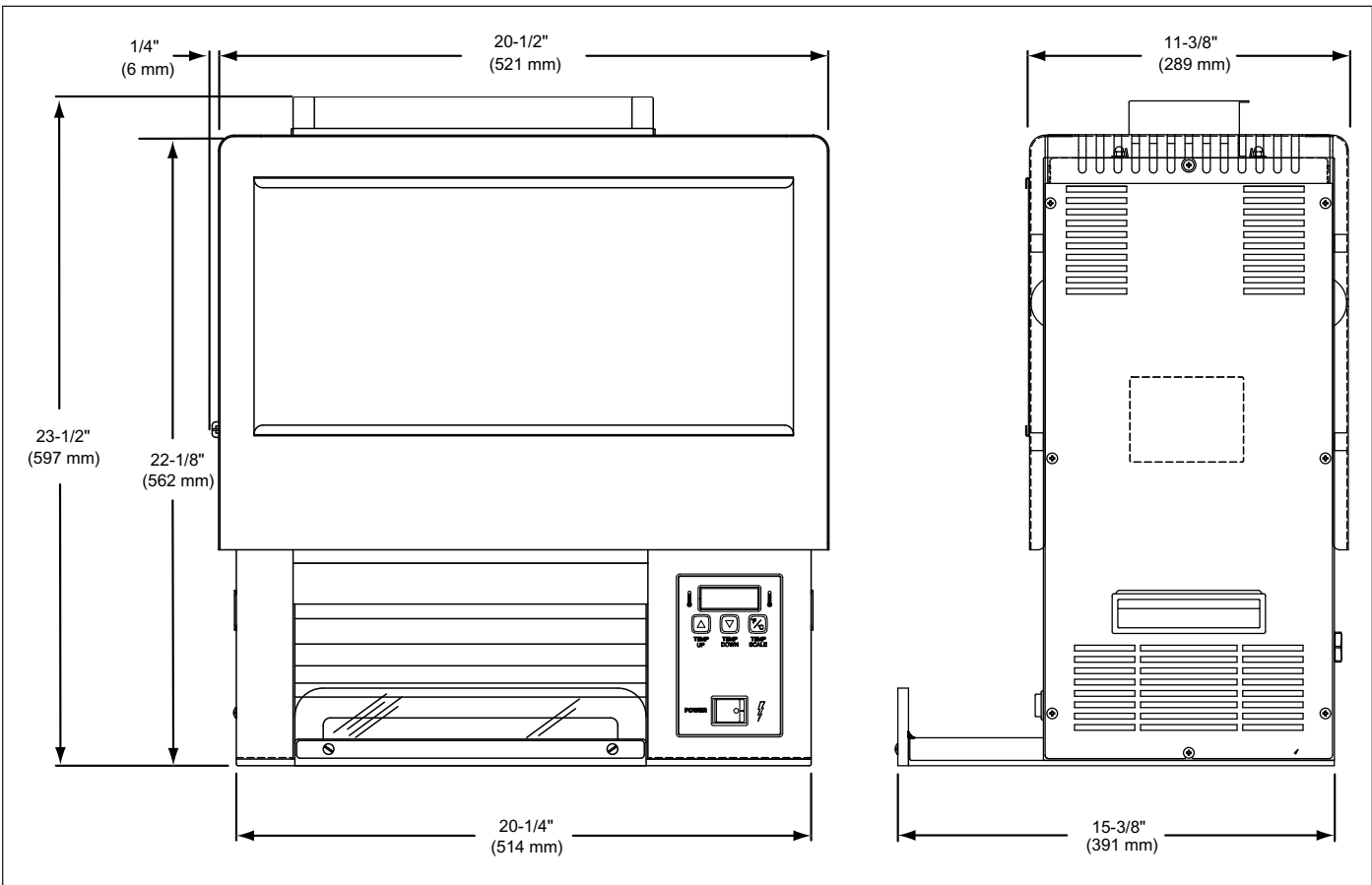
** Indicates that the plug comes supplied with a Harmonized Cord.

Model Specifications

Model Number	Mfg. Number	Volt	Watt	Amp.	Hz.	Toasting Time
VCT-250HC	9210606	220-240	3058-3640	13.9-15.1	50	Approx. 10 seconds
VCT-250HI	9210608 9210615	220-240	3058-3640	13.9-15.1	50	Approx. 17 seconds
VCT-250HI (Germany)	9210616	220-240	3058-3640	13.9-15.1	50	Approx. 13 seconds
VCT-250 HC/HB/HM	9210607 9210624 9210626	220-240	3058-3640	13.9-15.1	50	Approx. 17 seconds
VCT-250HI (China Only)	9210611	220-240	3058-3640	13.9-15.1	50	Approx. 17 seconds
VCT-250HI (Malaysia only)	9210613	220-240	3058-3640	13.9-15.1	50	Approx. 17 seconds

SPECIFICATIONS (continued)

Dimensions



Weights

	Lbs.	Kg.
Net	95	43.1
Shipping	105	47.6

IMPORTANT SAFETY INFORMATION

Throughout this manual, you will find the following safety words and symbols that signify important safety issues with regards to operating or maintaining the equipment.

WARNING

GENERAL WARNING. Indicates information important to the proper operation of the equipment. Failure to observe may result in damage to the equipment and/or severe bodily injury or death.

CAUTION

GENERAL CAUTION. Indicates information important to the proper operation of the equipment. Failure to observe may result in damage to the equipment.

WARNING

ELECTRICAL WARNING. Indicates information relating to possible shock hazard. Failure to observe may result in damage to the equipment and/or severe bodily injury or death.

WARNING

HOT SURFACE WARNING. Indicates information important to the handling of equipment and parts. Failure to observe may result in personal injury.

In addition to the warnings and cautions in this manual, use the following guidelines for safe operation of the unit:

- Read all instructions before using equipment.
- For your safety, the equipment is furnished with a properly grounded cord connector. Do NOT attempt to defeat the grounded connector.
- Install or locate the equipment only for its intended use as described in this manual. Do NOT use corrosive chemicals in this equipment.
- Do NOT operate this equipment if it has a damaged cord or plug, if it is not working properly, or if it has been damaged or dropped.
- This equipment should be serviced by qualified personnel only. Contact the nearest Authorized Service Agency for adjustment or repair.
- Do NOT block or cover any openings on the unit.
- Do NOT immerse cord or plug in water.
- Keep cord away from heated surfaces.
- Do NOT allow cord to hang over edge of table or counter.

The following warnings and cautions appear throughout this manual and should be carefully observed.

- Turn the power off, unplug the power cord, and allow unit to cool down before performing any service or maintenance.
- The procedures in this chapter may include the use of chemical products. These chemical products will be highlighted with bold face letters followed by the abbreviated **HCS** (Hazard Communication Standard). See Hazard Communication Standard manual for the appropriated Material Safety Data Sheets (MSDS).
- The equipment should be grounded according to local electrical codes to prevent the possibility of electrical shock. It requires a grounded receptacle with separate electrical lines, protected by fuses or circuit breaker of the proper rating.
- Bread may burn. Therefore toasters must not be used near or below curtains or other combustible walls and materials. Failure to maintain safe operating distances may cause discoloration or combustion.
- This appliance is NOT intended for use by persons (including children) with reduced physical, sensory, or mental capabilities, or lack of experience and knowledge, unless they have been given supervision or instruction concerning use of the appliance by a person responsible for their safety. Children should be supervised to ensure that they do NOT play with the appliance.

INSTALLATION

Unpacking

1. Remove unit and all packing materials from shipping carton.
2. Open the accessory box. It should contain the following:
 - Bun Chute (Figure 1)
 - Bun Feeder (Figure 1)
 - Plastic bag containing the Release Sheets
3. Remove all packing materials and protective coverings from the unit and parts.

NOTE: If any parts are missing or damaged, contact A.J. Antunes IMMEDIATELY at 1-800-253-2991 (North America only), or 630-784-1000.

Assembling the Unit

1. Install the Bun Chute (Figure 1).
2. Install the Bun Feeder. The Bun Feeder clips fit over the tip of the Platen and hold the Release Sheet in place (Figure 11).

NOTE: Check the Release Sheet to make sure it is not caught in the conveyor.

NOTE: Additional Release Sheets can be obtained through your Authorized Service Agency.

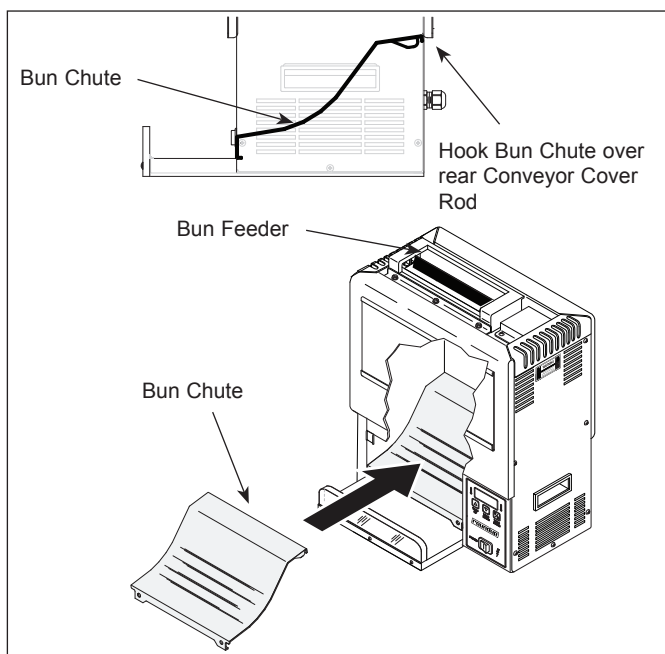


Figure 1. Installing Bun Chute

Location

When placing the toaster into service, pay attention to the following guidelines:

- Make sure the unit is off and at room temperature.
- Do NOT block or cover any openings on the unit.
- Do NOT immerse the power cord or plug in water.
- Keep the power cord away from heated surfaces.
- Do NOT allow the power cord to hang over edge of table or counter.

Connect the unit to the power supply. Refer to the specification plate for the proper voltage.

⚠ CAUTION ⚠

All electrical connections must be in accordance with local electrical codes and any other applicable codes.

⚠ CAUTION ⚠

Bread may burn. Therefore toasters must not be used near or below curtains or other combustible walls and materials. Failure to maintain safe operating distances may cause discoloration or combustion.

⚠ WARNING ⚠

ELECTRICAL SHOCK HAZARD. FAILURE TO FOLLOW THE INSTRUCTIONS IN THIS MANUAL COULD RESULT IN SERIOUS INJURY OR DEATH.

- Electrical ground is required on this appliance.
- Do NOT modify the power supply cord plug. If it does not fit the outlet, have a proper outlet installed by a qualified electrician.
- Do NOT use an extension cord with this appliance.
- The toaster should be grounded according to local electrical codes to prevent the possibility of electrical shock. It requires a grounded receptacle with separate electrical lines, protected by fuses or circuit breaker of the proper rating.
- Check with a qualified electrician if you are unsure if the appliance is properly grounded.

OPERATION

Operating Instructions

1. Set the Bun Thickness Adjustment Controls (Figure 2 and Figure 3) according to the following table:

For Mfg. No.:	Set the Crown Control to:	And set the Heel/Club Control to:
9210606	3	B
9210616	4	E
9210607	5	D
9210608	5	D
9210613	5	D
9210615	5	D
9210624	5	D
9210626	5	D

Table 1. Bun Thickness Adjustment Controls

2. Turn the power on and allow 30 minutes warm-up time before proceeding.

NOTE: The Temperature Display (Figure 4) will flash "LO" until preset operating temperature is reached. When the toaster approaches the preset temperature, "USE" will appear in the Temperature Display and the unit is ready to toast buns.

The toaster is tested and shipped with the heaters set at a preset recommended temperature. If "USE" does not appear in the window after warm-up period, see Temperature Adjustments below for recommended temperature settings and to adjust temperature settings.

3. Drop buns into toaster (Figure 4). The cut side of the heels and crowns must face each other (heel/club in front; crown in back).
4. Toasted product will drop into the bun landing area (Figure 4).
5. Test at least 4 buns before putting toaster into service.
6. Turn the power off when finished toasting.

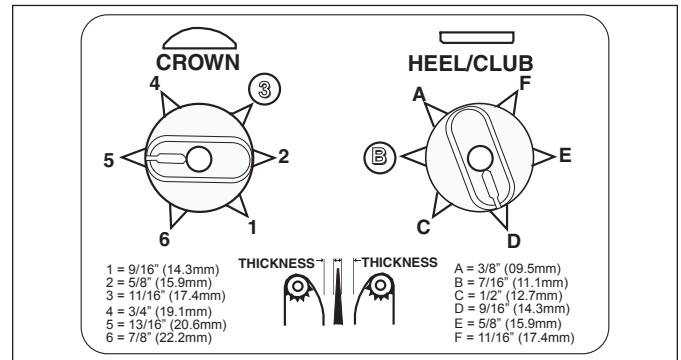


Figure 2. Bun Thickness Adjustment Controls for Mfg. No.: 9210606 and 9210616

NOTE: Background color of this label is GRAY.

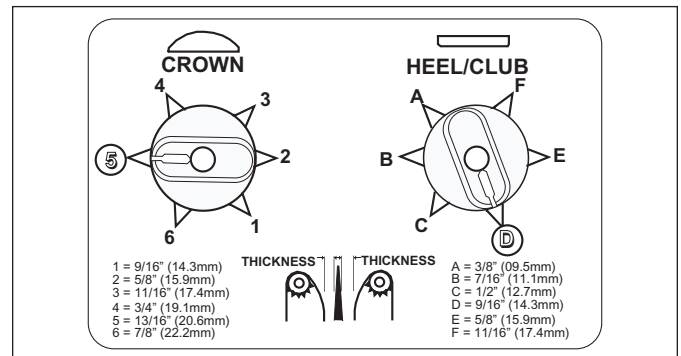


Figure 3. Bun Thickness Adjustment Controls for Mfg. No.: 9210607, 608, 613, 624, & 626

NOTE: Background color of this label is YELLOW.

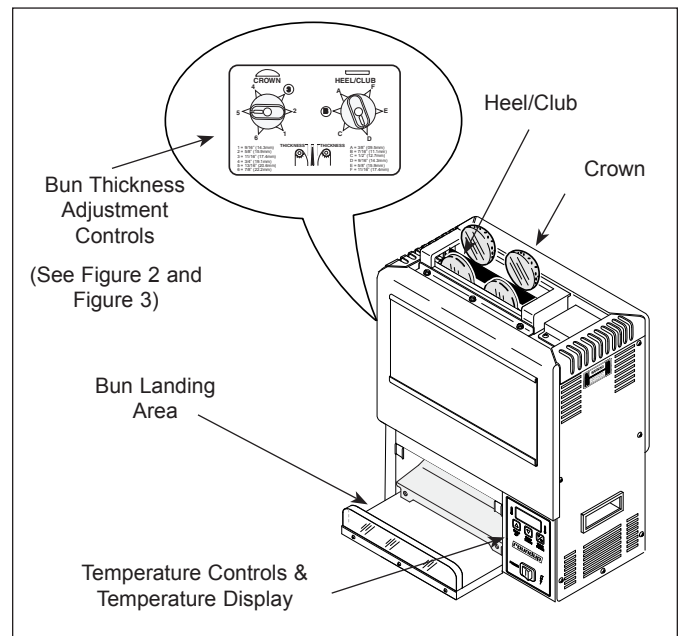


Figure 4. Rapid Toaster

OPERATION (continued)

Toaster Operation

The Rapid Toaster uses a Platen Heater and two Auxiliary Heaters. The Platen Heater consists of a heating coil built into the platen to toast the cut side of the bun. The two Auxiliary Heaters assist in providing additional heat to the buns. The first Auxiliary Heater is located within the Conveyor Belt Chain in the front of the toaster. The second Auxiliary Heater is located within the Conveyor Belt Chain at the rear of the unit.

TEMPERATURE CONTROL

NOTE: Setpoint Temperature refers to the desired temperature setting.

Press the TEMP UP button to display the current platen temperature, provided it is over 420°F (216°C).

Press the TEMP DOWN button to display the current auxiliary heaters temperature, provided it is over 250°F (121°C).

Press and hold the TEMP SCALE button for 3-5 seconds to switch the temperature display between Fahrenheit (°F) and Celsius (°C).

RECOMMENDED TEMPERATURES

Recommended temperature setting for the Platen Heater is 560°F (293°C) MFG# 9210606, 607, 608, 613, 615, 624, & 626.

Recommended temperature setting for the Platen Heater is 585°F (307°C) MFG# 9210616.

Recommended temperature setting for the Auxiliary Heaters is 400°F (204°C) MFG# 9210606, 607, 608, 613, 615, 616, 624, & 626.

NOTE: Units are tested and shipped with heaters set to the above recommended temperatures.

PLATEN SETPOINT TEMPERATURE ADJUSTMENT

1. Turn the power on and wait for the Temperature Display to finish the power up sequence (Figure 5).
2. Press and hold both TEMP UP and TEMP DOWN buttons until the display flashes the platen setpoint temperature, then release.
3. Press the TEMP UP or the TEMP DOWN button to change the setpoint temperature. The setpoint temperature will adjust 1° every 0.1 seconds.
4. Release the button when the desired setpoint is displayed.

NOTE: Maximum adjustable setpoint temperature for the platen is 600°F (315°C).

NOTE: If no change is made within 5 seconds, the display will revert back to the previous setpoint.

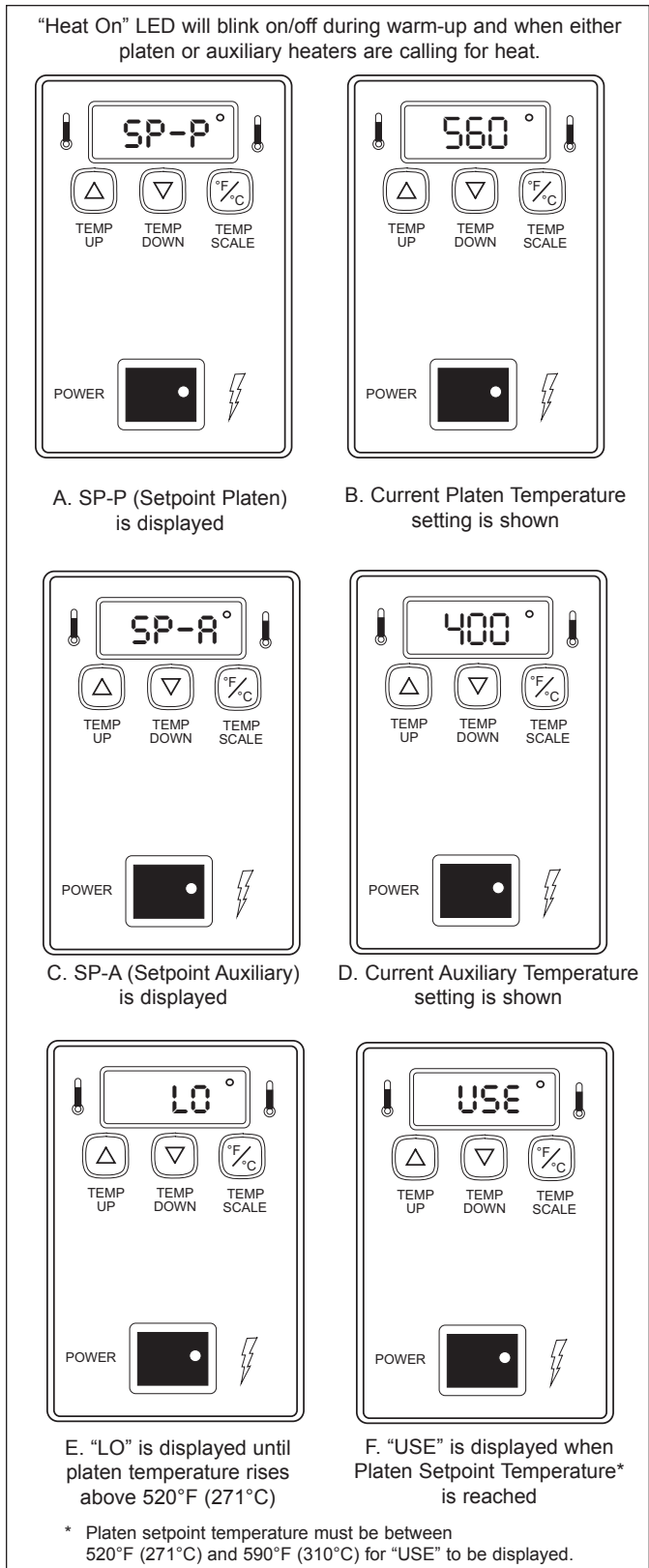


Figure 5. Temperature Power Up Sequence

OPERATION (continued)

AUXILIARY HEATER TEMPERATURE ADJUSTMENT

1. Turn the unit on and wait for temperature display to finish the power up sequence (Figure 5, Items C & D).
2. Press and hold both TEMP UP and TEMP SCALE buttons until the display flashes the auxiliary setpoint temperature, then release (Figure 5, Item C)
3. Press the TEMP UP or TEMP DOWN button to raise or lower the setpoint temperature. The setpoint temperature will adjust 1° every 0.5 seconds.
4. Release the button when the desired setpoint is displayed.

NOTE: Maximum adjustable setpoint temperature for the Auxiliary Heater is 400°F (204°C).

NOTE: If no change is made within 5 seconds, the display will revert back to the previous setpoint.

Hi-Limit Reset Button

A hi-limit control will turn off electrical power to the control circuits if the unit overheats. To reset this hi-limit control, allow sufficient time (10-15 minutes) for the unit to cool down, then press the reset button located on the rear of the unit (Figure 6).

If the unit requires continuous resetting, contact your Authorized Service Agency.

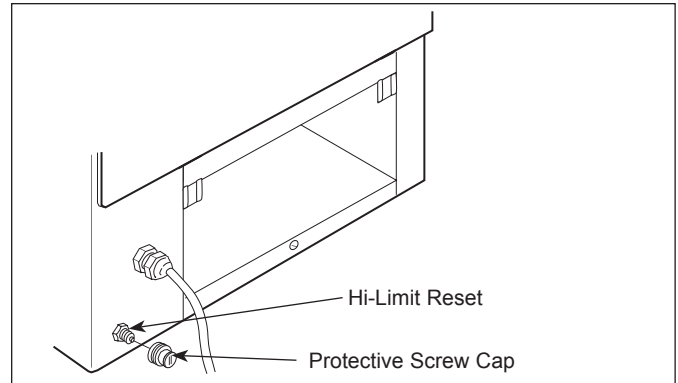


Figure 6. Hi-Limit Reset

OPERATION (continued)

Fault Codes

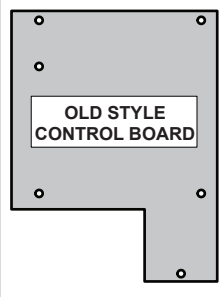
	<p>If the toaster control board resembles the OLD style shown here, refer to the Fault Message in Table 2.</p>
FAULT CODE ON DISPLAY	FAULT CODE DESCRIPTION
"HI" Flashes on display	The platen thermocouple is disconnected or open or the platen relay is shorted. Call for service.
"HI" and "LO" flashes at cold start up	The auxiliary thermocouple is disconnected or open. Call for service.
"HI" and "USE" flashes after 30 minutes of pre-heat time	The auxiliary thermocouple is disconnected or open or the auxiliary relay is shorted. Call for service.
"CHEC"	The electrical compartment ambient temperature is above 140° F (60° C). All heaters will shut off. Check for proper airflow. Call for service.
"PO"	The incoming voltage has dropped below 175 VAC. All heaters will shut off. Call for service.

Table 2

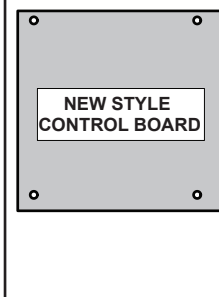
	<p>If the toaster control board resembles the NEW style shown here, refer to the Fault Message in Table 3.</p>
FAULT CODE ON DISPLAY	POSSIBLE CAUSE(S)
Err 1	Failed Control Board (Call for Service)
Err 2	Failed Control Board (Call for Service)
Err 3	The programming dip switches were not adjusted upon installation of the universal control board. The dip switches must be adjusted to match the toaster Mfg #. Refer to document P/N 1011052 for specific settings.
Err 4	Platen Thermocouple is shorted to chassis ground (Call for Service)
Err 5	Platen Thermocouple is Loose or Disconnected or Open (Call for Service)
Err 6	Failed Control Board (Call for Service)
Err 7	Failed Control Board (Call for Service)
Err 8	Failed Control Board (Call for Service)
Err 9	The programming dip switches were not adjusted upon installation of the universal control board. The dip switches must be adjusted to match the toaster Mfg #. Refer to document P/N 1011052 for specific settings. NOTE: If the dip switches were adjusted correctly, then the AC Isolator Board or its wiring is faulty. (Call for Service)
Err 10	Failed Control Board (Call for Service)
CHEC	Ambient in electrical compartment has exceeded 140 F (60 C). Check for proper airflow. (Call for Service)

Table 3

MAINTENANCE

⚠ WARNING ⚠

Turn the power off, unplug the power cord, and allow the unit to cool down before performing any service or maintenance.

Daily Cleaning

NOTE: Also refer to TS 019B-1 Card (P/N 1010847).

1. Turn the power off, unplug the power cord, and allow the unit to cool down.
2. Put on Heat Resistant Gloves and remove the Bun Feeder and Bun Chute (Figure 10). Wash them at the sink and allow to air dry.
3. Remove the Release Sheet (Figure 7) and lay it on a clean, flat, dry surface.
4. Spray **McD® All-Purpose Super Concentrate (HCS)** on a clean, dry towel. Wipe the towel firmly across the entire length of the Release Sheet.
5. Spray **KAYQUAT™ Sanitizer (HCS)** solution on a clean, dry towel. Wipe the towel firmly across the entire length of the Release Sheet. Allow the Release Sheet to air dry.
6. Turn the Release Sheet over and repeat Steps 4 and 5 on the other side.
7. Open the Front (Heel/Club side) Conveyor Cover.
8. Spray **McD® All-Purpose Super Concentrate (HCS)** on a clean, dry towel and wipe the surface of the Belt Wrap firmly from side to side and then top to bottom.
9. Spray **KAYQUAT™ Sanitizer (HCS)** solution on a clean, dry towel and wipe the surface of the Belt Wrap firmly from side to side and then top to bottom.
10. Close the Conveyor Cover and repeat this procedure on the rear (Crown side) Belt Wrap.

NOTE: Do NOT remove Belt Wrap from unit.

11. Plug in the power cord and turn the unit on. Count ten (10) seconds for Mfg. No. 9210606; count thirteen (13) seconds for Mfg. No. 9210616; and count seventeen (17) seconds for Mfg. Nos. 9210607, 608, 613, 615, 624, & 626. Then turn the unit off.

NOTE: Make sure both Conveyor Safety Interlock Switches are activated when the covers are installed (Figure 8) or the conveyors will not rotate.

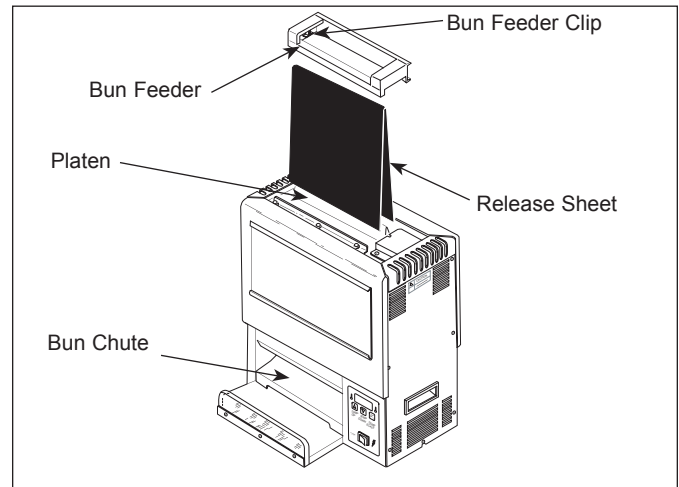


Figure 7. Removing/Installing Release Sheet

12. Unplug the power cord and repeat Steps 7-10 on newly exposed sections of both Belt Wraps.
 13. Clean the Heat Dampers and the surface of the Inner Conveyor Covers.
 14. Plug the power cord in and turn on the unit.
 15. Fold the Release Sheet in half and place it over the Platen. Allow it to be drawn into place and positioned properly.
- NOTE:** Check the Release Sheet to make sure it is not caught in the conveyor.
16. Turn the unit off and re-install the Bun Feeder and Bun Chute.
 17. Wipe the entire exterior surface to the toaster with a clean, dry towel, dampened with **KAYQUAT™ Sanitizer (HCS)** and allow it to air dry.
 18. Verify that the Bun Thickness Compression Controls are set properly. Refer to Table 1.
 19. Plug in the power cord, turn the power on, and test the unit before returning it to service.

MAINTENANCE (continued)

Bun Temperature Test (Monthly)

NOTE: The minimum temperature allowed is 160°F (71°C). If this temperature is not reached, contact your Authorized Service Agency.

Tools Required: Pyrometer/Needle probe attachment.

1. Turn the power on and allow the unit to preheat for 30 minutes.
2. Toast a Regular Crown and use a Pyrometer with Needle probe attachment to take its temperature within five seconds. Insert the needle probe into the center of the bun just below the toasted surface.
3. The temperature should be a minimum of 160°F (71°C). If the minimum temperature is not met, ensure the toast settings are correct and the buns are fresh and properly stored. If these are correct, consult the Troubleshooting Guide provided in this manual.
4. Repeat the bun temperature test on a Regular Heel and on both toasted surfaces of a Big Mac Club.

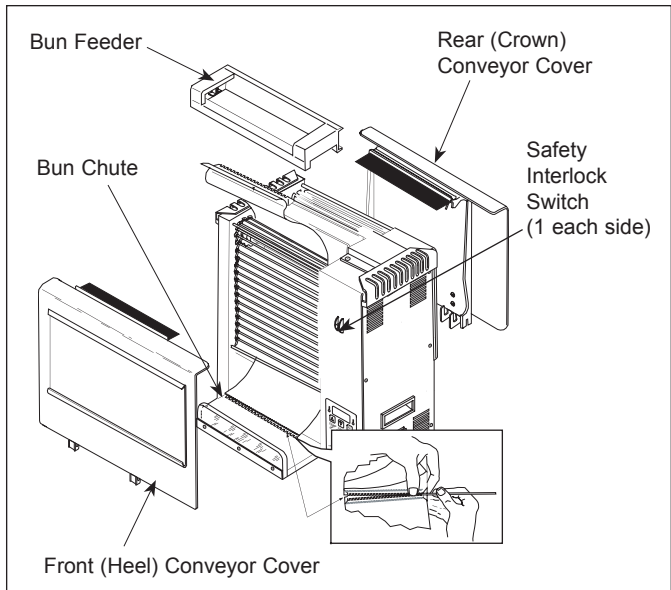


Figure 8. VCT-250

Replace Release Sheet (Monthly)

1. Turn the power off, unplug the power cord, and allow the unit to cool down.
2. Remove the Bun Feeder, Bun Chute, and change the Bun Thickness Compression Controls to "F & 6" (Figure 2 and Figure 3).
3. Remove and discard the black Release Sheet.
4. Fold a new Release Sheet in half, creasing the fold only with your fingers (Figure 9).
5. Place the Release Sheet over the Platen. Allow the conveyor to draw it into place and verify that it is positioned properly (Figure 7).

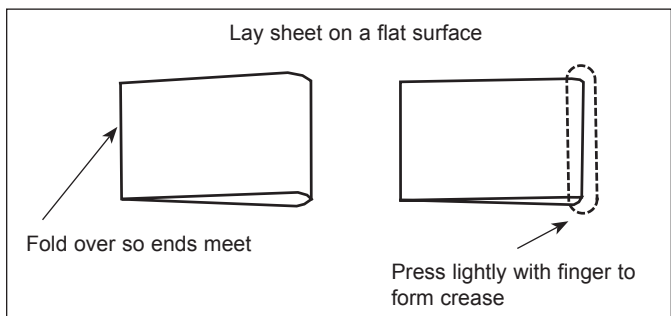


Figure 9. Folding Release Sheet

⚠ CAUTION ⚠

Failure to use Release Sheets will result in damage to the unit and loss of warranty coverage.

NOTE: Use only your fingers to crease the fold. Do NOT use any metal, wood, or plastic devices as they will damage the Release Sheet. Additional Release Sheets can be obtained through your Authorized Service Agency.

6. Re-install the Bun Feeder and Bun Chute and allow the toaster 30 minutes to warm up.

MAINTENANCE (continued)

Replace Belt Wraps (Every 3 Months)

1. Turn the power off, unplug the power cord, and allow the unit to cool down.
2. Remove the Bun Feeder, Bun Chute and Bun Buffer Landing Zone. Then change the Bun Thickness Compression Controls to "F" & "6" (Figure 2 and Figure 3).
3. Open the Front and Rear Conveyor Covers.
4. Locate the Hinge Flap on the Front Belt Wrap, if the Hinge Flap is not visible; plug in the power cord and turn the unit on, press down on both Conveyor Safety Interlock Switches (Figure 8) and wait until the flap is exposed and centered. Then turn the unit off and unplug the power cord.
5. Lift the flap on the Belt Wrap and remove the Belt Wrap Pin (Figure 10).
6. Carefully remove and discard the Belt Wrap.
7. Repeat this process for the Rear Belt Wrap.
8. Install the new Belt Wraps with the Hinge Flap hanging down (Figure 10).

NOTE: The Belt Wraps must be installed inside the Support Rods. The flap should be installed facing the outside of the toaster and should be in the down position (Figure 11 & Figure 12).

⚠ CAUTION ⚠

Be sure Belt Wrap ends are aligned as shown in Figure 15 or damage to the Belt Wrap will occur.

⚠ CAUTION ⚠

Be sure the Belt Wrap is positioned **INSIDE** the upper and lower Support Rods or damage to the Belt Wraps will occur.

9. Close the Front and Rear Conveyor Covers.

NOTE: Make sure both Conveyor Safety Interlock Switches are activated when the covers are installed (Figure 8) or the conveyors will not rotate.

10. Re-install the Bun Feeder and Bun Chute.
11. Plug in the power cord, turn the power on, and test the unit before returning it to service.

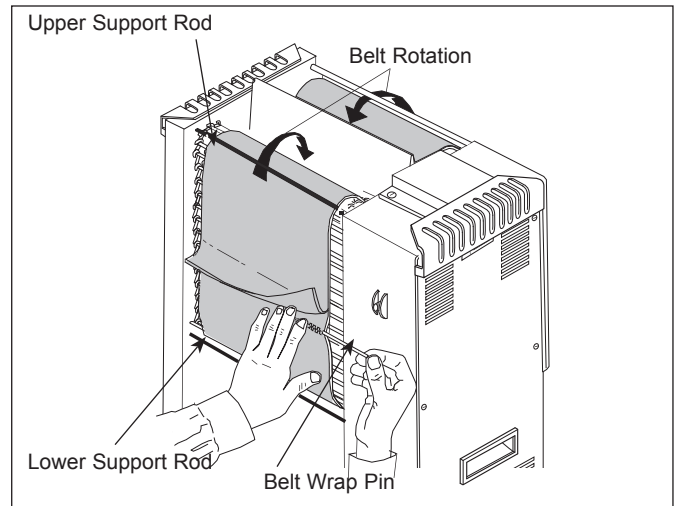


Figure 10. Replacing Belt Wrap

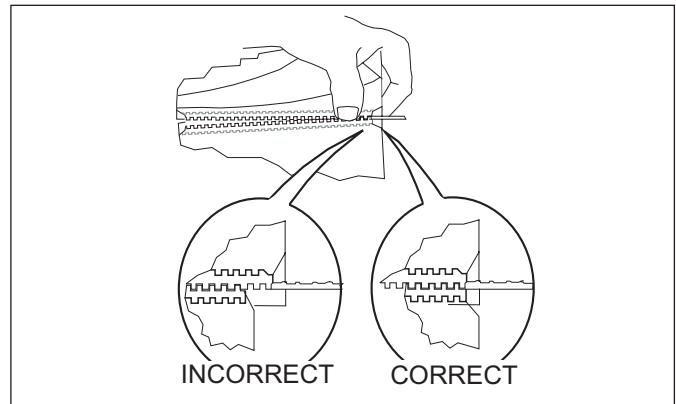


Figure 11. Aligning Belt Wrap Teeth

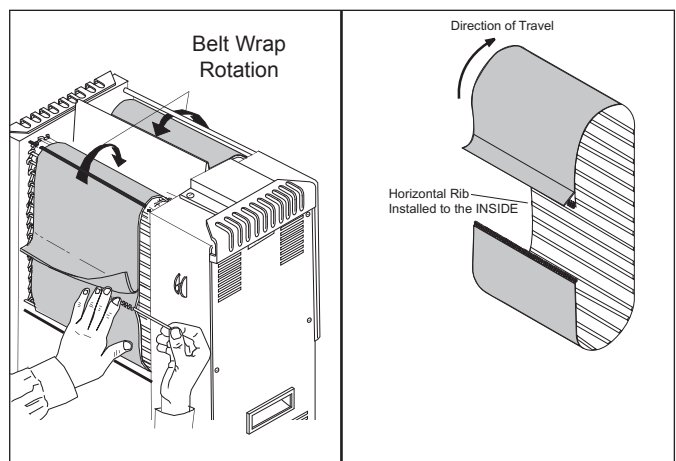


Figure 12. Correct Belt Wrap Installation

MAINTENANCE (continued)**Clean the Conveyor Belt Chain
(Every 3 Months)**

1. Turn the power off, unplug the power cord, and allow the unit to cool down.
2. Remove the Bun Feeder, Bun Chute, and change the Bun Thickness Compression Controls to "F" & "6" (Figure 2 and Figure 3).
3. Open the Front and Rear Conveyor Covers.
4. Spray **McD® All-Purpose Super Concentrate (HCS)** on a clean, dry towel and wipe the surface of the Front Conveyor Belt Chain links firmly from side to side and top to bottom.
5. Spray **KAYQUAT™ Sanitizer (HCS)** on a clean, dry towel and wipe the surface of the Front Conveyor Belt Chain links firmly from side to side and top to bottom.
6. Repeat Steps 4 and 5 on the Rear Conveyor Belt Chain.
7. Close the Front and Conveyor Covers.
8. Plug in the power cord and turn the unit on, count ten (10) seconds for Mfg No. 9210606; count thirteen (13) seconds for Mfg. No. 9210616; and count seventeen (17) seconds for Mfg. Nos. 9210607, 608, 613, 615, 624, & 626.
9. Turn the power off and unplug the power cord.
10. Open the Front and Rear Conveyor Covers and repeat Steps 4-6 on the newly exposed sections of the Conveyor Belt Chains.
11. Reassemble the unit.
12. Plug in the power cord, turn the power on, and test the unit before returning it to service.

MAINTENANCE (continued)

Measure the Conveyor Belt Chains for Stretch (Every 3 Months)

After a period of time, the Conveyor Belt Chain links wear and the conveyor will stretch. This may cause the conveyor to jam as it rotates on the sprockets or possibly skip on the sprockets. This is easily remedied by removing one or more links from each side of the conveyor.

NOTE: This periodic adjustment is NOT covered under warranty. It is a user responsibility.

1. Remove the front and rear Conveyor Covers and set the Bun Thickness Compression Controls to "6 & F".
2. Facing the heel/club side (front), locate the approximate center point of the Conveyor Belt Chain.
3. Pull the Conveyor Belt Chain away from the edge of the toaster.
4. Stand the HEEL section of the Gap Tool between the chain and the frame (Figure 13).

NOTE: The HEEL section should fit securely between the chain and the frame.

5. If the gap is significantly wider than the HEEL section of the Gap Tool (one and a half times as large) a small link will have to be removed from the Conveyor Belt Chain.
6. Disconnect the Conveyor Belt Chain by squeezing any two links together and unhooking both ends of one link (Figure 14).

NOTE: Needle nose pliers may be required.

7. To shorten a stretched Conveyor Belt Chain, remove one 1/2" link from the Conveyor Belt chain.
8. Reconnect by hooking both ends of the Conveyor Belt Chain back together and measure again accordingly.

NOTE: If the chain is too short/tight to be reassembled, remove an additional 1/2" link and install a 3/4" link. This will shorten the belt 1/4" overall.

9. Reassemble the Conveyor Belt Chain and repeat the measurement.

NOTE: If you CANNOT stand the HEEL section of the Gap Tool between the belt and frame, you have taken out the wrong sized link or have taken out too many links and damage may occur to the toaster.

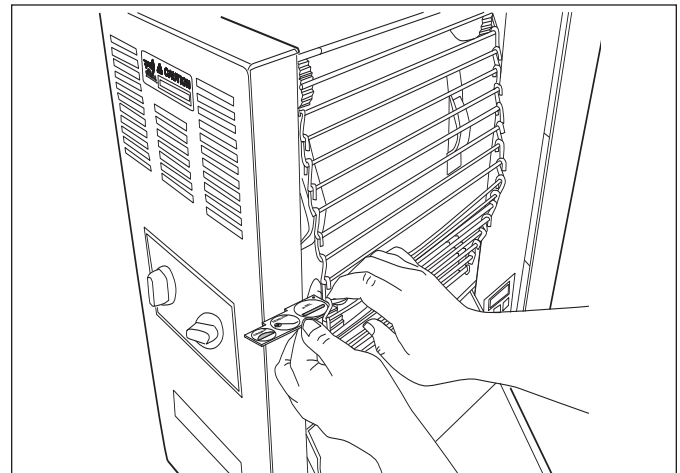


Figure 13. Measuring Conveyor Chain

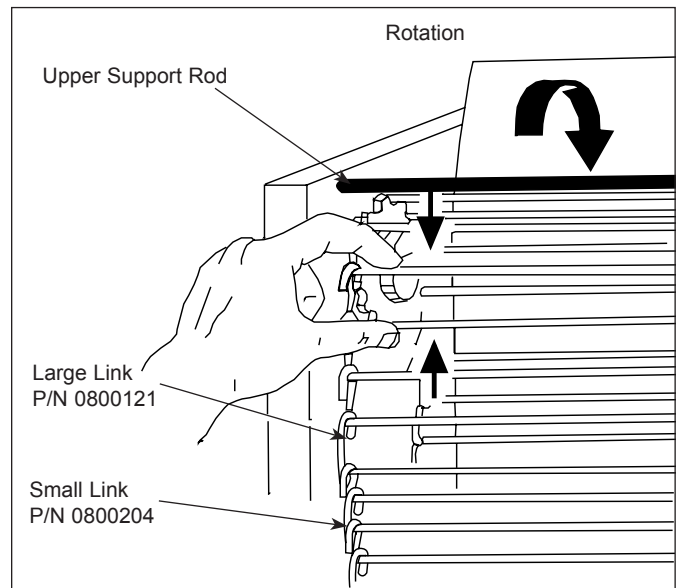


Figure 14. Removing Conveyor Chain Link

⚠ CAUTION ⚠

Loose or over tightened conveyor chains can damage the toaster.

10. Repeat steps 3 through 7 for the crown (rear) side of the toaster using the CROWN section of the Gap Tool.
11. Re-assemble the unit, plug in the power cord, and test the unit before returning it to service.

MAINTENANCE (continued)

Check the Temperature of the Bun Landing Area (Every 3 Months)

1. Remove the Bun Buffer Landing Zone if equipped on the toaster. The temperature measurement is intended to be taken without the BBLZ attached to the toaster.
2. Use a Pyrometer/Surface Temperature (Grill) Probe to take the temperature of the Bun Landing Area at its center (directly in front of the Bun Chute).
3. The minimum acceptable temperature is 130°F (54°C). If the temperature is less, contact your Authorized Service Agency or A.J. Antunes & Co. at 1-800-253-2991 (for the U.S. & Canada only) or 630-784-1000.
4. Reattach the Bun Buffer Landing Zone to the toaster and return the toaster to service.

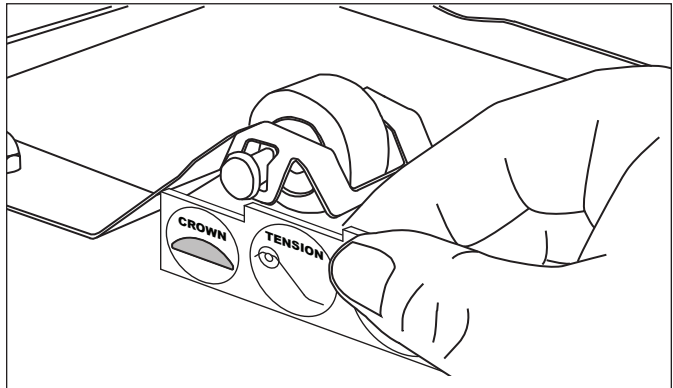


Figure 15. Measuring Roller Tensioner

Check the Roller Tensioners (Every 3 Months)

MEASURING THE ROLLER TENSIONERS

1. Measure the Roller Tensioner on both inner Conveyor Covers using the Gap Tool.
2. The space between the inner Conveyor Cover and the bottom of the Tensioner wheel should be 13/16" (2.1 cm) or the height of the TENSION section of the Gap Tool (Figure 15).
3. Adjust or replace any damaged ones as recommended.

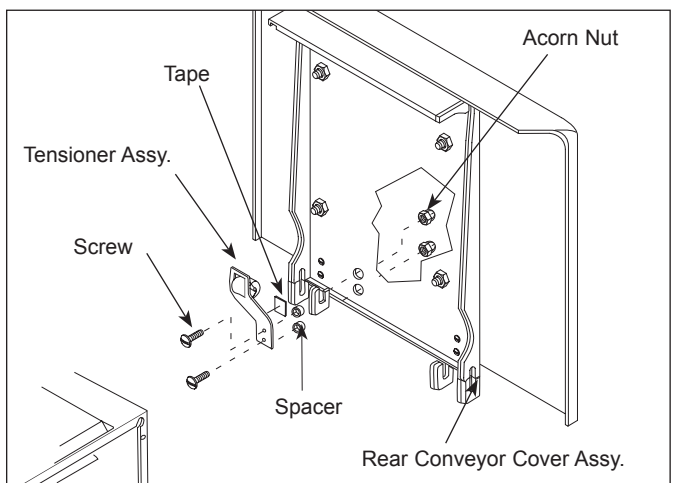


Figure 16. Replacing Roller Tensioner Assembly.

REPLACING THE ROLLER TENSIONERS

1. Remove screws from acorn nuts (Figure 16) and remove the old Roller Tensioner assembly.
2. Replace Roller Tensioner assembly and reassemble.
3. Make sure the spacers are placed inside the tensioner arm. The spacers are smaller than the holes to allow the tensioner to pivot freely.
4. Set the Bun Thickness Compression Controls according to Table 1.
5. Plug in the power cord, turn the power on, and test the unit before returning it to service.

NOTE: Refer to Table 1 as well as Figure 2 and Figure 3 in the Operation section of this manual.

TROUBLESHOOTING

▲ WARNING ▲

To avoid possible personal injury and/or damage to the unit, inspection, test and repair of electrical equipment should be performed by qualified service personnel. The unit should be unplugged when servicing, except when electrical tests are required. Use extreme care during electrical circuit tests. Live circuits will be exposed.

Problem	Possible Cause	Corrective Action
No Display and no light on Power Switch.	Unit not plugged in.	Connect toaster to proper receptacle.
	Hi-Limit tripped.	Reset Hi-Limit.
	Circuit Breaker tripped	Reset Circuit Breaker.
	Power Cord and/or plug are damaged.	Contact your maintenance person or Authorized Service Agency.
	Inoperable Power Switch.	
Temperature display flashes "PH".	Conveyor Covers are not fully engaging the Conveyor Safety Interlock Switches.	Reposition the Conveyor Covers so that they fully engage the Conveyor Safety Interlock Switches.
	Loose wiring between the phase control and A/C isolator boards.	Contact your maintenance person or Authorized Service Agency.
Temperature display flashes "PO".	Voltage to the unit is below 190 volts.	Restart the unit. If the display shows "PO" again, check the power cord and plug receptacle for damage.
		Reset Circuit Breaker located at store's power panel.
		Contact your maintenance person or Authorized Service Agency.
Temperature display reads "LO".	Platen temperature is below 420°F (216°C).	Allow thirty minutes for warmup and recheck display.
		Contact your maintenance person or Authorized Service Agency.
Temperature display flashes "HI" at cold start.	Platen Thermocouple is disconnected or open.	Re-attach or replace Platen Thermocouple.
	Inoperable Control Board.	Contact your maintenance person or Authorized Service Agency.
Temperature display flashes "HI" and "LO" at cold startup.	Auxiliary Thermocouple is disconnected or open.	
After preheat time, display flashes "HI" and "USE."	Auxiliary circuit overheating due to auxiliary solid state relay shorted closed.	
Temperature display flashes "HI" and "USE" after unit has been preheated (Never flashed "HI" and "LO" at cold startup).		
Display reads "CHEC."	Ambient temperature in control compartment too high.	Turn toaster off and allow control compartment to cool down to 140°F (60°C) and restart toaster. Be sure cooling fan is operating and nothing is blocking the flow of cooling air to the bottom of the toaster.
	Axial cooling fan is inoperable.	
Belt wrap stop turning, but conveyor chain continues to turn.	Underside of Belt and Conveyor Chain have excessive buildup.	Clean Belt Wrap and Conveyor Belt Chain as per current MRC Card (TS 019B-1).
Belt Wraps are tearing in the center.	Missing or bent Roller Tensioners.	Replace or adjust the bent Roller Tensioner - measured to 13/16" (2.1 cm) or the height of the TENSION section of the Gap Tool from the bottom of the roller to the inner cover.

TROUBLESHOOTING (continued)

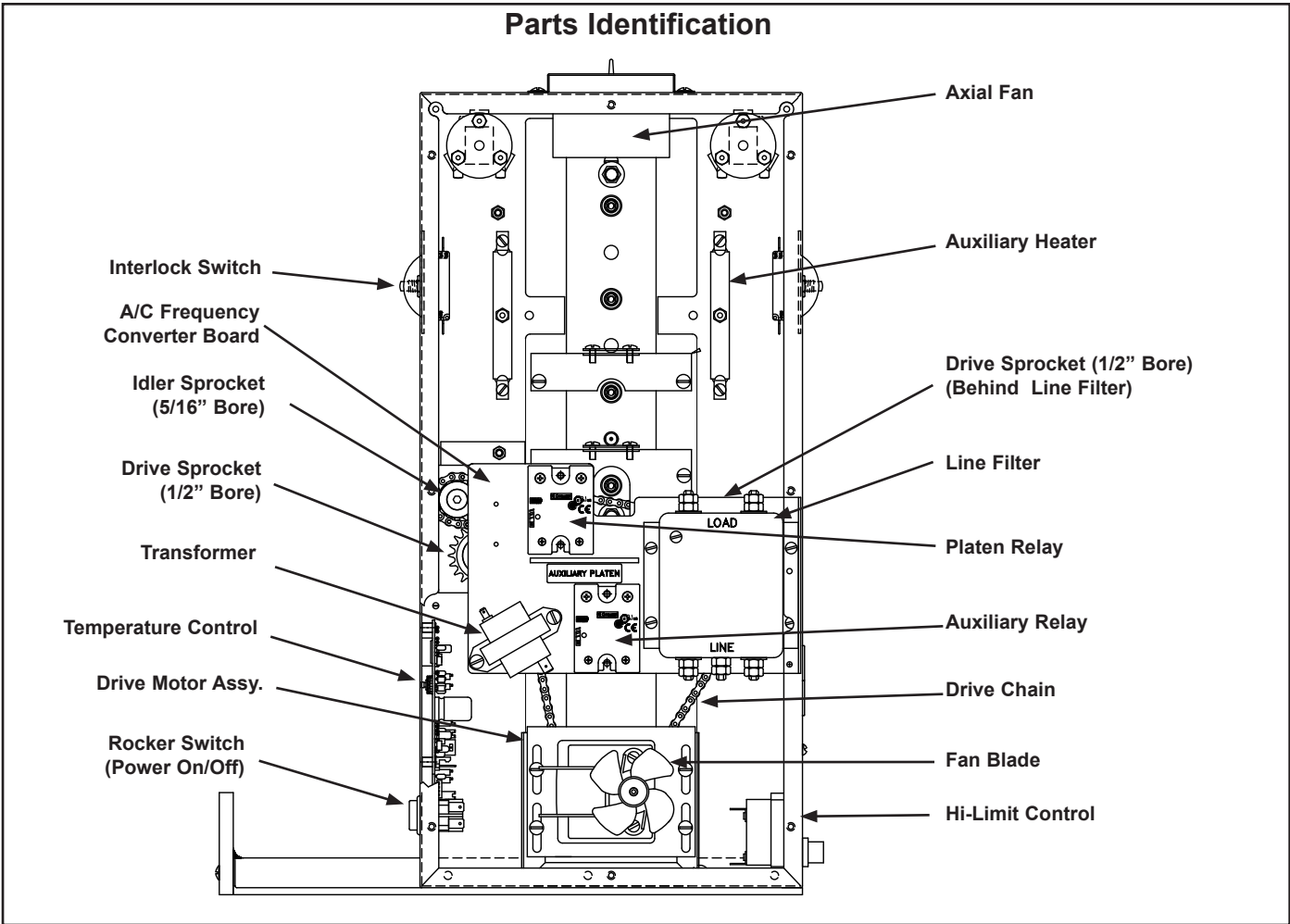
Problem	Possible Cause	Corrective Action
Conveyor Belt Chain does not turn or skips on lower sprockets.	Compression Knobs set incorrectly.	Set Bun Thickness Compression Controls according to the Operation section of this manual.
	Interlock Switches not activating.	Verify the covers are installed correctly. Repair or replace damaged conveyor inner cover.
		Switches are inoperable. Contact your maintenance person or Authorized Service Agency.
	Conveyor Chain is stretched.	Refer to the Maintenance Section of this manual.
	Roller Tensioner bent or missing.	Adjust the bent Roller Tensioner - measured to 13/16" (2.1 cm) or the height of the TENSION section of the Gap Tool from the bottom of the roller to the inner cover. Note: Damaged Roller Tensioners should be replaced.
	Motor Drive Chain has detached or is dry.	Have a qualified maintenance person or your Authorized Service Agency reinstall and/or lubricate the chain.
Belt Wrap does not fit, is difficult to install, or is not long enough.	Belt Wrap is installed improperly.	Re-install the Belt Wrap according to the Maintenance Section of this manual.
	Belt Wrap is damaged.	Replace Belt Wrap.
The only item that operates is the cooling fan (conveyor and heat inoperable).	Hi-Limit Control is tripped open.	Reset Hi-Limit Control according to the Maintenance section of this manual. Note: If Hi-Limit trips again, contact your Authorized Service Agency for service.
Platen is hot but Conveyor Belt Chains do not move.	Conveyor Cover assemblies not installed.	Install Conveyor Cover assemblies.
	Conveyor Belt Chains installed incorrectly.	Contact your Authorized Service Agency.
	One or both Conveyor Interlock Switches not activated by Conveyor covers.	Install Conveyor Cover assembly correctly.
Buns are not toasting properly.	Compression Knobs set incorrectly.	Set Bun Thickness Compression Controls according to the Operation section of this manual.
	Toaster temperature not set properly.	Set the toaster temperature according to the Operation section of this manual.
	Release Sheet is dirty or worn.	Follow the cleaning and replacement procedure on the current MRC Card (TS 019B-1).
	Belt Wrap is dirty or worn.	
	Bun temperature below 150°F (65.6°C).	Perform the Bun Temperature Test as described in the Maintenance section of this manual.
		Replace worn dampers and/or missing springs.
	Contact your Authorized Service Agency for parts and service, if necessary.	
Buns cut improperly.	Contact your bun supplier.	
Unit makes high pitched squeal or whining noise.	Drive motor.	Contact your maintenance person or Authorized Service Agency.
	Bearings.	Replace bearings.
	Ball bearings.	Replace ball bearings.

TROUBLESHOOTING (continued)

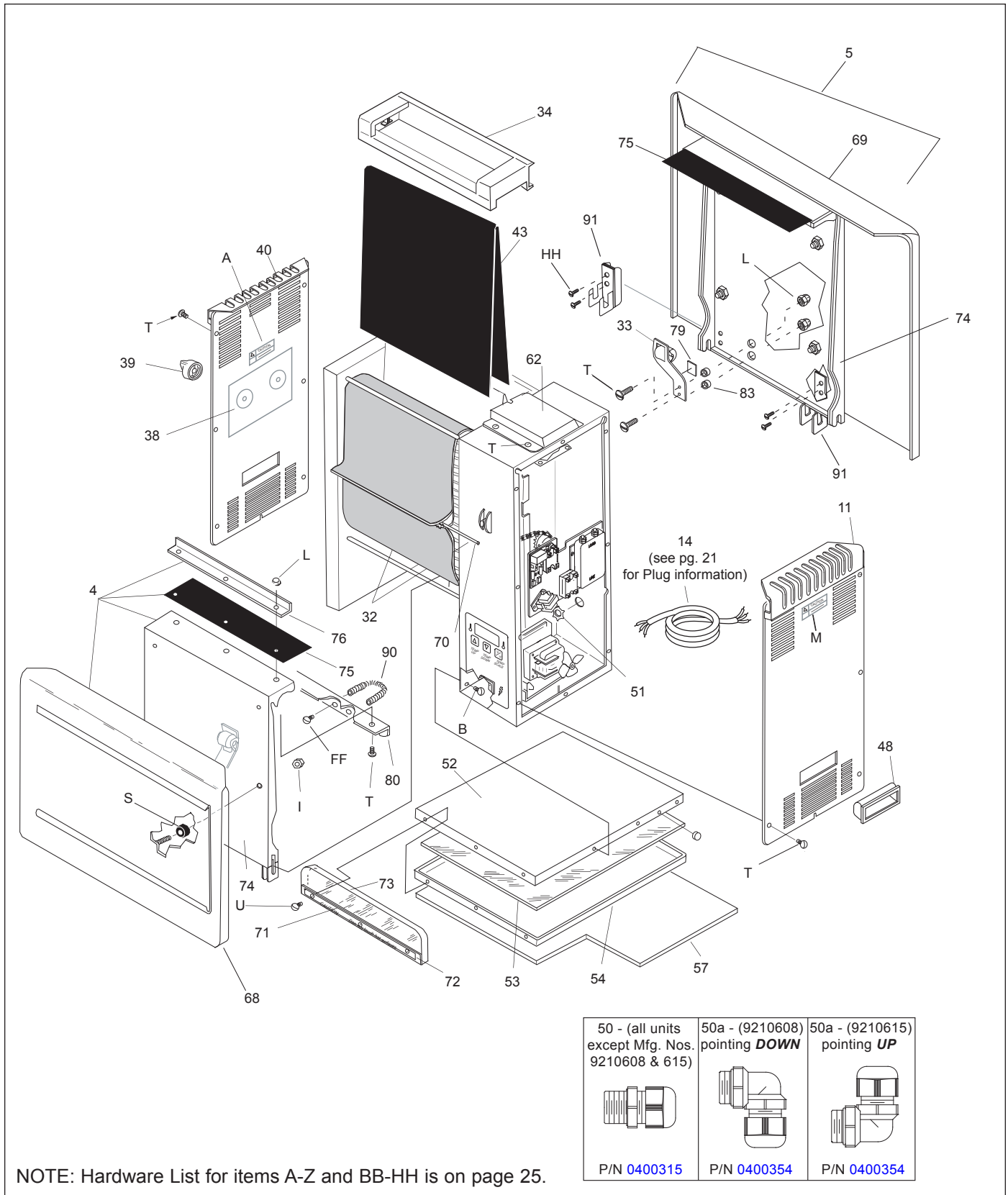
Problem	Possible Cause	Corrective Action	
Product is over-toasted or Platen Heat is too high or drop time is too slow.	Temperature set too high.	Set the Platen temperature according to the Operation section of this manual.	
	Compression Knobs set incorrectly.	Set Bun Thickness Compression Controls according to the Operation section of this manual.	
	Belt Wraps worn and not pulling buns across Platen in the required time.	Clean or replace Belt Wrap.	
	Belt Wrap not tacky.		
	Buns sticking on Release Sheet.	Clean or replace Release Sheet.	
	Belt Wrap installed incorrectly.	Re-install Belt Wrap according to the Maintenance section of this manual.	
	Defective Drive Chain or loose sprocket.	Contact your maintenance person or Authorized Service Agency.	
	Defective Drive Motor or wrong RPM Drive Motor.		
Defective temperature display control			
Product is under toasted or Platen heat is too low or drop time is too fast.	Temperature set too low.	Set the Platen temperature according to the Operation section of this manual.	
	Compression Knobs set incorrectly.	Set bun adjustment controls according to the Operations section of this manual.	
	Platen Thermocouple is defective.	Contact your maintenance person or Authorized Service Agency.	
	Defective Control Board.		
Buns are not toasting properly.	Compression Knobs set incorrectly.	Set Bun Thickness Compression Controls according to the Operation section of this manual.	
	Toaster temperature not set properly.	Set the toaster temperature according to the Operation section of this manual.	
	Release Sheet is dirty or worn.	Clean or replace Belt Wraps and/or Release Sheet.	
	Belt Wrap is dirty or worn.		
	Bun temperature below 150°F (65.6°C).		Perform the Bun Temperature Test in the Maintenance section of this manual.
			Replace worn dampers and/or missing springs.
			Contact your Authorized Service Agency for parts and service, if necessary.
Buns cut improperly.	Contact your bun supplier.		
Crown and/or heel must be forced into toast (Buns sticking and burning)	Bun Feeder improperly installed.	Remove and reposition Bun Feeder.	
	Belt Wrap not tacky or is worn.	Clean or replace Belt Wrap.	
	Crown and/or heel improperly inserted into toaster.	Insert buns into toaster according to the Operation section of this manual.	
	Belt Wrap slipping over Conveyor Belt Chains.	Clean Conveyor Belt Chains and Belt Wraps according to the Maintenance section of this manual.	
	Compression Knobs set incorrectly.	Set Bun Thickness Compression Controls according to the Operation section of this manual.	
	Improper cleaning of the Release Sheet and/or Belt Wrap.	Follow the cleaning and/or replacement instructions on the current MRC Card (TS-019)	
	Roller Tensioner out of position.	Adjust or replace Roller Tensioner according to the Maintenance section of this manual. Note: Replace damaged Roller Tensioners.	

REPLACEMENT PARTS

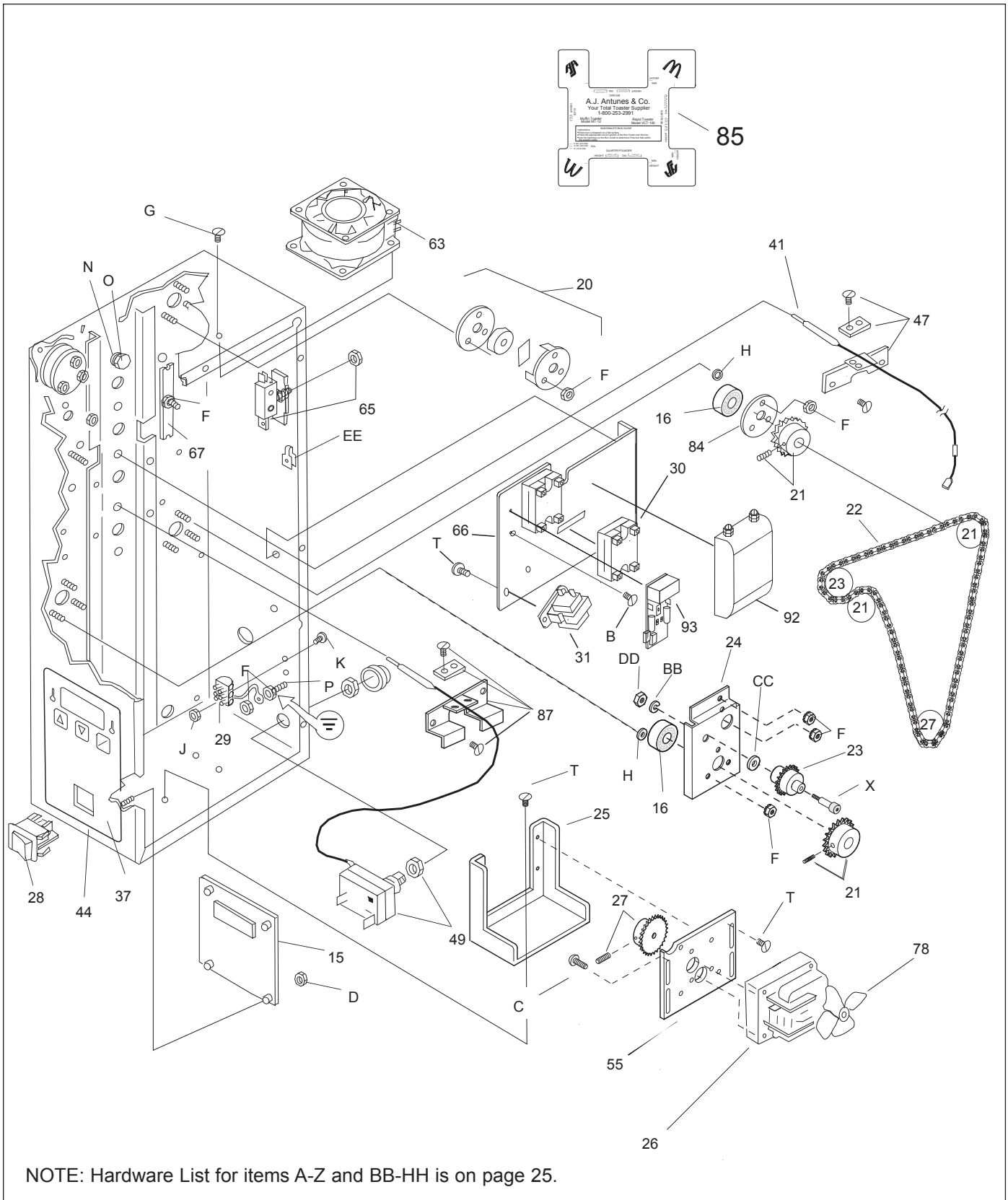
Parts Identification



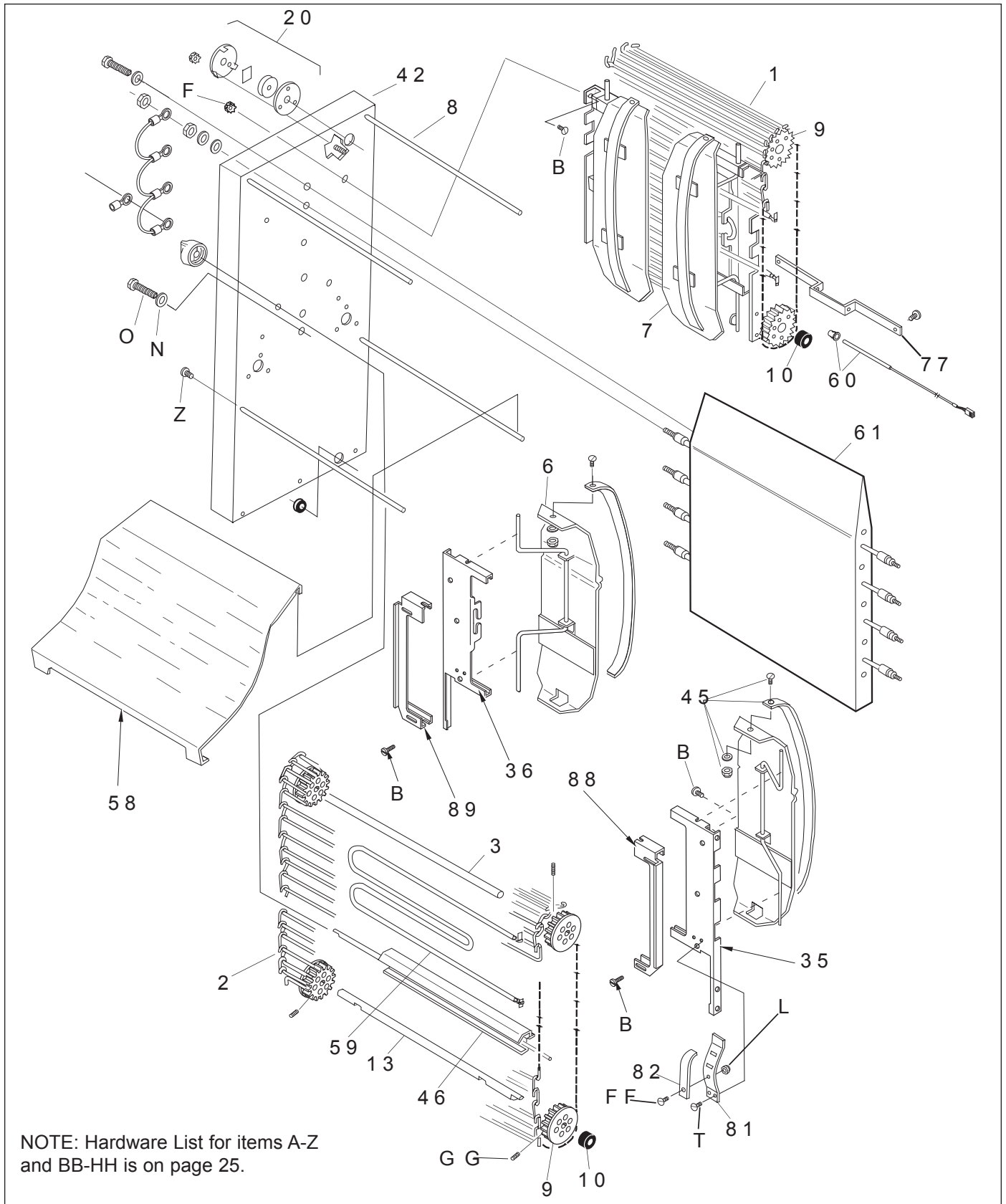
REPLACEMENT PARTS (continued)



REPLACEMENT PARTS (continued)



REPLACEMENT PARTS (continued)



NOTE: Hardware List for items A-Z and BB-HH is on page 25.

REPLACEMENT PARTS (continued)

Item	Part No.	Description	Qty.
1	0011266	Conveyor Belt Assy. (Crown) A&B	1
A	0800204	1/2" Pitch Link, Small	2
B	0800121	3/4" Pitch Link, Large	38
2	0011264	Conveyor Belt Assy. (Heel) A&B	1
A	0800204	1/2" Pitch Link, Small	4
B	0800121	3/4" Pitch Link, Large	37
3	2150117	Idler Shaft	2
4	7000251	Conveyor Cover Assy., Front (HeelClub)	1
5	7000252	Conveyor Cover Assy., Rear (Crown)	1
6	0011242	Tensioner Assy., Front	2
7	0011262	Tensioner Assy., Rear	2
8	7000644	Rod, Conveyor Cover	4
9	7000207	Sprocket w/Setscrew	8
10	7000199	Spacer Kit (Pack of 2)	1
11	7000739	Control Cover (Incl. #48)	1
13	2150118	Drive Shaft	2
14	0700453	Power Cord/Plug, CEE 7/7 (Mfg. No. 9210606 & 9210607)	1
	0700437	Power Cord/Plug, IEC-309 (Mfg. No. 9210608, 615 & 616)	1
	0700688	Power Cord/ Plug Marechal Pin and Slv. (Mfg. No. 9210624)	1
	0700699	Power Cord Assy. (New Zealand)	1
	0700442	Power Cord Assy. Harmzd 2.5 mm cord w/ IEC-309 non-molded plug (China Only) (Mfg. No. 9210611)	1
	0700588	IEC 309-Plug, 32 Amp., 230 VAC Three pin. (Mfg. No. 9210613)	1
15	7000739	Control Board Kit	1
16	7000296	Ball Bearing (Pack of 2)	1
20	7000167	Bearing & Retainer Kit	6
	7000224	Bearing & Retainer (6-Pack)	1
21	2150181	Sprocket, Drive w/Setscrew	2
22	2150187	Drive Chain	1
23	0011299	Idler Sprocket & Bearing	1
24	0501232	Bracket, Idler Sprocket	1
25	0503589	Bracket, Motor Mounting	1
26	7000240	Drive Motor Kit (Incl. #78) 9 RPM/10 Secs	1
27	2150110	Sprocket, Motor w/Setscrew 20 Tooth, 10 Seconds 50Hz. (Mfg. No. 9210606)	1
	2150216	Sprocket, Motor w/ Setscrew 15 Tooth, 13 Seconds 50 Hz. (Mfg No. 9210616)	1
	2150173	Sprocket, Motor w/ Setscrew 12 tooth, 17 Seconds, 50 Hz, (Mfg. No. 9210607, 608, 613, 615, & 624)	1
28	7000882	Power Switch Kit	1

Item	Part No.	Description	Qty.
29	406K006	Terminal Block	1
30	7000370	Relay, Solid State	2
31	4010187	Transformer	1
32	7000416	Conveyor Belt Wrap (Pack of 2)	1
33	7000186	Roller Tensioner Assy. (Pack of 2)	1
34	0021164	Bun Feeder	1
35	0503496	Tensioner Bracket, RH	2
36	0503497	Tensioner Bracket, LH	2
37	1001006	Label, Control	1
38	10P1026	Label, Dial (Pack of 10) (Gray) (Mfg. No. 9210606 & 616)	1
	10P1118	Label, Dial (Pack of 10) (Yellow) (Mfg. No. 9210607, 608, 613, 615, & 624)	1
39	2100253	Knob, Control	2
40	7000232	Cover, End	1
41	4050214	Thermocouple Assy. (Platen)	1
42	0021175	Weldment, End Housing	1
43	7000110	Release Sheet (Pack of 3)	-
	7000111	Release Sheet (Pack of 10)	-
44	0021174	Control Housing	1
45	7000121	Slide Rail Kit (Includes 2 slide rails for 2 tensioners)	2
46	0021183	Conveyor Cam	2
47	7000176	Thermocouple Retainer Kit	1
48	2100212	Lifting Handle	2
49	4030332	High Limit Thermostat	1
50	0400315	Strain Relief (all units except Mfg. Nos. 9210608, 613, & 615)	1
50a	0400354	Strain Relief (Mfg. No. 9210608, 613, & 615 only)	1
51	0400138	Locknut, 1/2"	1
52	0503405	Base, Outer	1
53	4030326	Heater, Bun Landing	1
54	0503407	Base, Inner	1
55	0503590	Bracket, Motor	1
56	0700647	Wire Set (not shown)	1
57	0200211	Gasket, Base	1
58	0503425	Bun Chute	1
59	4030348	Auxiliary Heater, Air (230 VOLT)	2
60	7000165	Auxiliary Thermocouple Kit	1
61	7000304	Platen (230 VOLT)	1
62	0021182	Weldment, Fan Duct	1
63	4000202	Axial Fan	1
65	7000400	Interlock Switch Kit	2
66	0504067	Bracket, Line Filter	1
67	0503150	Heater Clip	2
68	0021177	Heat Shield, Front	1
69	0021178	Heat Shield, Rear	1
70	303P127	Hinge Pin, Belt Wrap (Pk. of 10)	1
71	1001023	Label, Caution Hot	1

REPLACEMENT PARTS (continued)

Item	Part No.	Description	Qty.
72	0503368	Fascia, Bun Stop	1
73	0900225	Bun Stop	1
74	7000226	Inner Conveyor Cover (w/hinge bracket)	2
75	7000248	Damper Kit (Includes 4 - #90 & 2 Dampers)	1
76	0503367	Clamp, Damper	2
77	0503321	Bracket, Auxiliary Thermocouple	1
78	4000170	Fan Blade,	1
79	2100252	Slip Strip	2
80	0503448	Damper Support Bracket	2
81	0503455	Tension Spring, Inner	4
82	2100259	Slide Bar	4
83	0502199	Spacer	4

Item	Part No.	Description	Qty.
84	0500464	Retainer, Bearing	1
85	0900228	Bun Gauge	1
87	7000203	Thermocouple Retainer/Chain Guard Kit	1
88	0503495	Retainer, Tensioner Bracket, RH	2
89	0503507	Retainer, Tensioner Bracket, LH	2
90	060P132	Damper Support Spring (Pack of 10)	1
91	0021311	Hinge Bracket Weldment	4
92	4050229	Line Filter	1
93	7000391	A/C Frequency Converter Board Kit	1
—	7000167	Single Bushing & Retainer Kit	6
—	7000224	6 Bushing & Retainer Kits	1

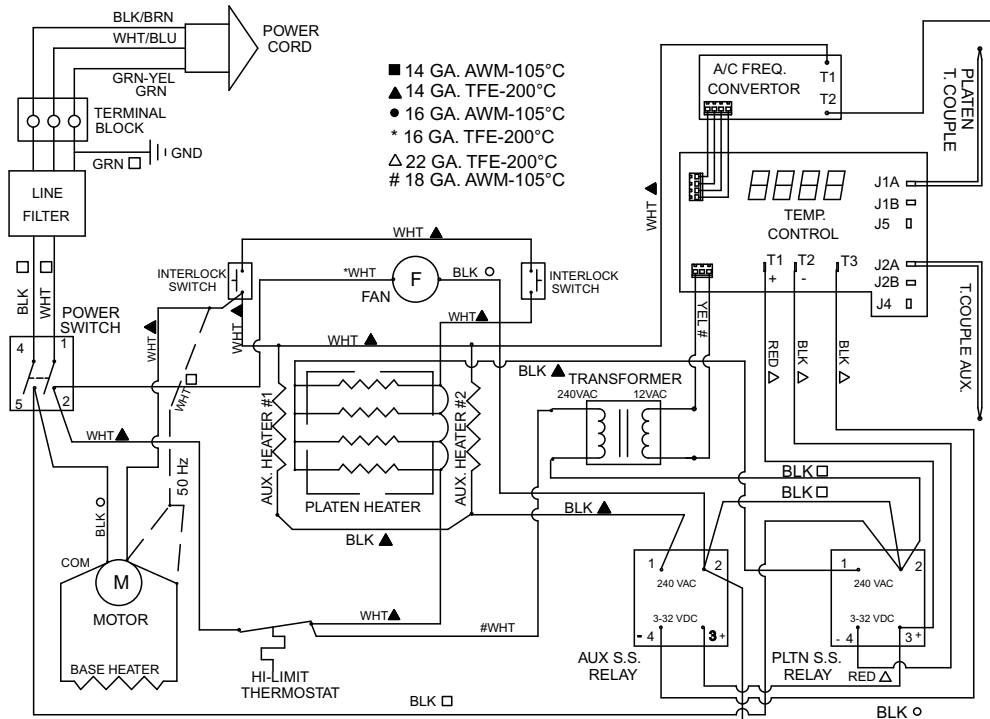
Hardware List

The following items are only available in packages of 10.

Item	Part No.	Description	Qty.
A	100P864	Label, Caution Hot	1
B	308P115	Screw, #8-32 x 3/8" (10 mm)	10
C	310P154	Screw, #10-32 x 3/8"	4
D	304P105	Nut, #4-40, "KEPS"	1
E	406P107	Cable Tie	1
F	308P143	Nut, #8-32, "KEPS"	3
G	310P103	Screw, #10-32 x 1/4"	1
H	310P140	Washer, #10	3
I	308P101	Nut, #8-32	3
J	306P101	Nut, Hex, #6-32	1
K	306P123	Screw, #6-32 x 7/8"	1
L	308P145	Nut, Hex Acorn, #8-32	1
M	100P900	Label, Service	1
N	325P104	Washer, 1/4"	1
O	325P109	Screw, 1/4-20 x 1/2"	1
P	308P124	Screw, 1-Way, #8-32 x 1/2"	1
R	10P1022	Label, Heaters	1

Item	Part No.	Description	Qty.
S	212P111	Spacer	1
T	308P157	Screw, #8-32 x 1/4"	1
U	308P120	Screw, #8-32 x 5/8"	1
V	308P104	Screw, #8-32 x 3/8"	1
W	308P105	Screw, #8-32 x 1/2"	1
X	331P103	Shoulder Bolt, 5/16-18 x 1"	1
Y	040P111	Bushing, Shorty, 1/2" (not shown)	1
Z	306P105	Screw, #6-32 x 1/2"	1
BB	331P106	Lockwasher, 5/16"	1
CC	212P118	Flat Washer, 5/16"	1
DD	331P101	Nut, Hex, 5/16 x 18"	1
EE	300P102	Nut, Tinnerman	2
FF	306P104	Screw, #6-32 x 1/4"	8
GG	325P163	Setscrew, 1/4-28 x 5/16"	8
HH	308P183	Screw, Hexhead #8-32 x 3/8"	1

WIRING DIAGRAMS



Ladder Wiring Diagram

