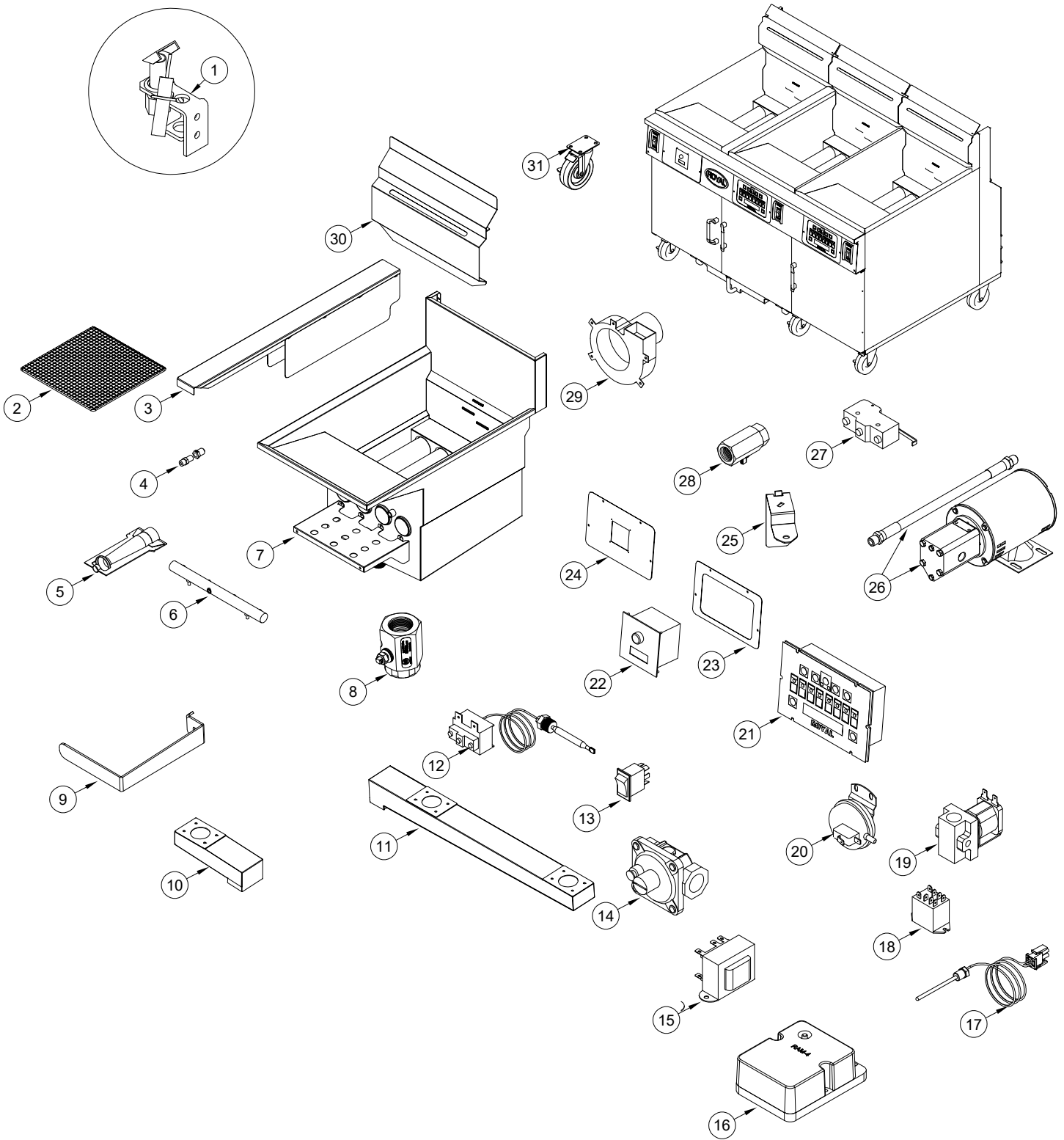
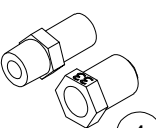
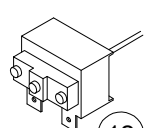
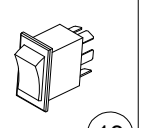
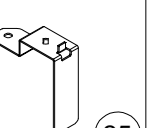
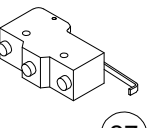
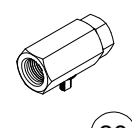


FILTER SYSTEM RHEF - SERIES

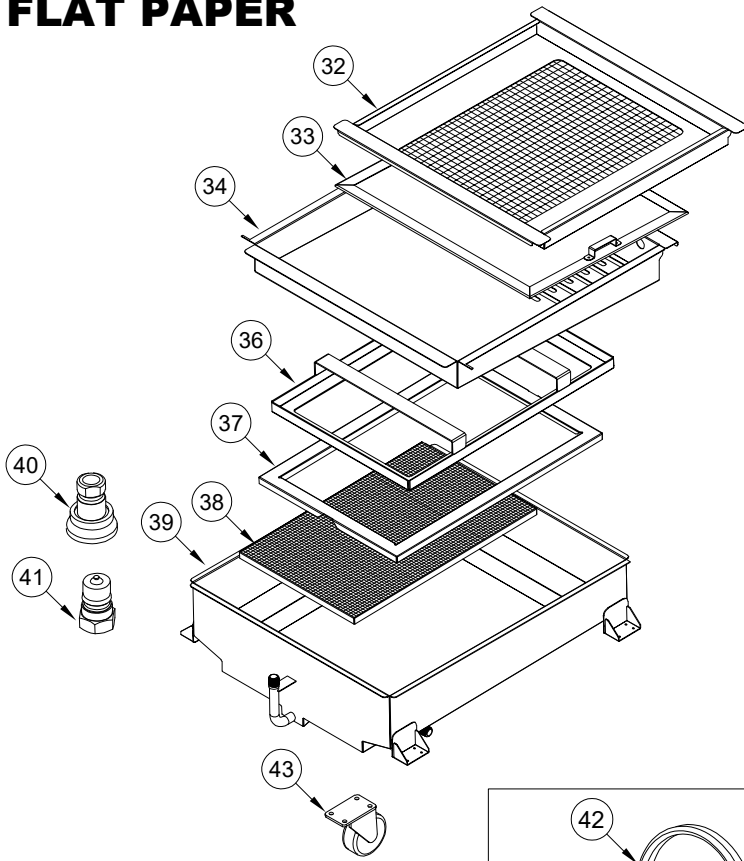


ORIFICE 33	HI LIMIT SWITCH	POWER SWITCH	LEVER VALVE, PULL	MICRO-SWITCH	2 WAY VALVE
					
4	12	13	25	27	28

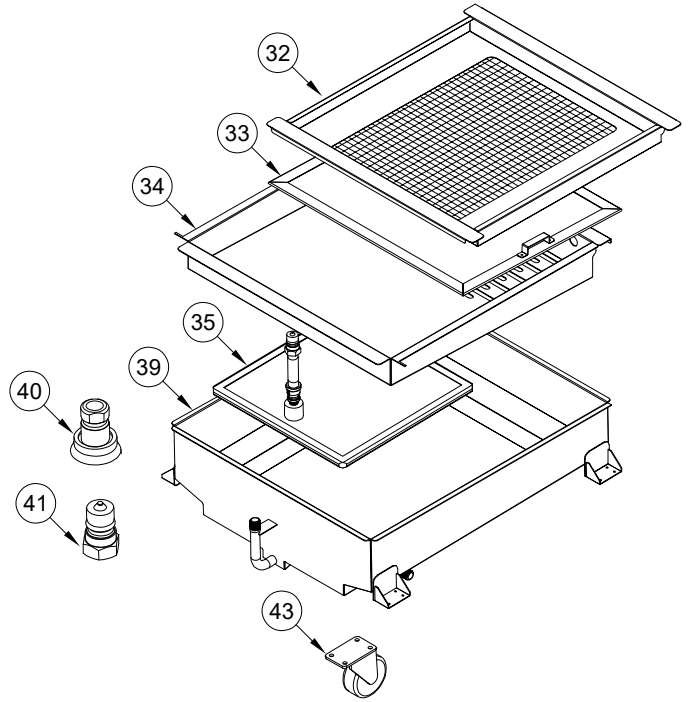
FILTER SYSTEM (FILTRATION PARTS) 2 OF 4

RHEF - SERIES

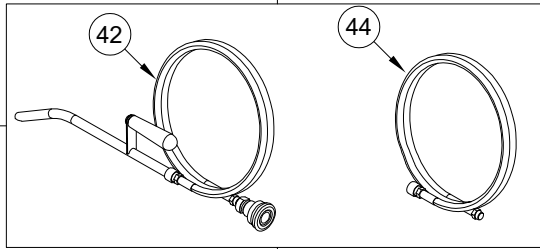
FLAT PAPER



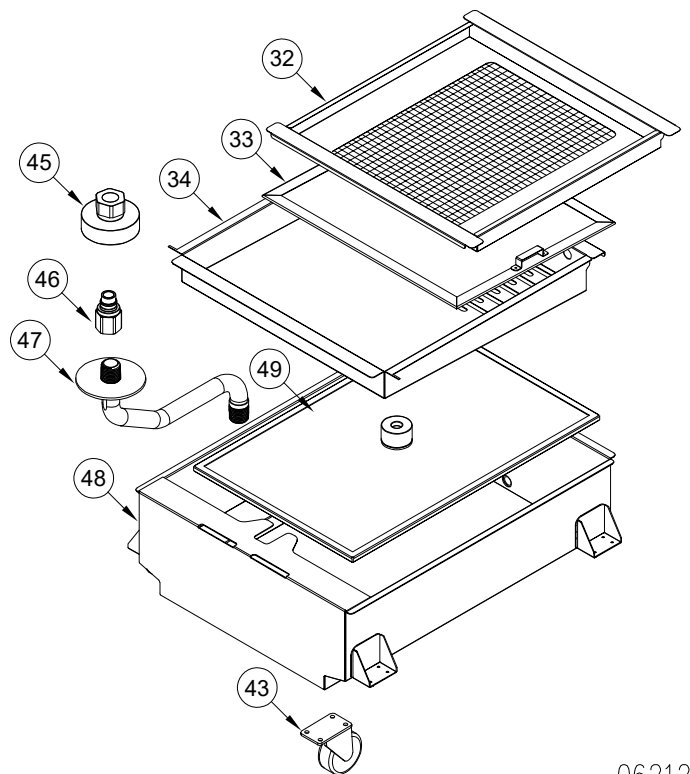
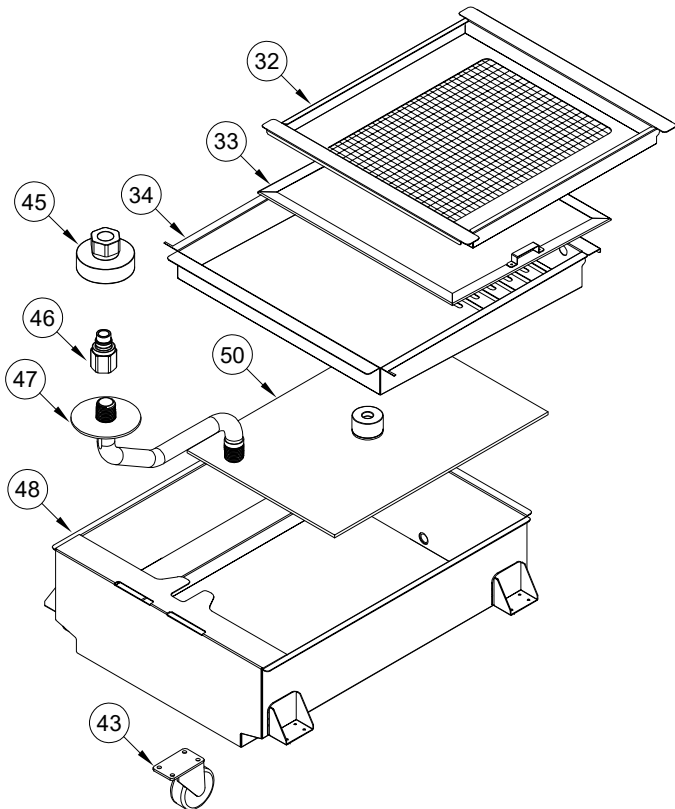
PERMAFIL 15" X 15" BEFORE NOV-2023



PAPER ENVELOPE



PERMAFIL 15" X 23"



FILTER SYSTEM - RHEF- SERIES - PART LIST

ITEM NO.	PART NO.	DESCRIPTION
1	5803	PILOT ASSY W/ ELECTRODE & IGNITION WIRE
2	3106	CRUMB SCREEN RHEF-75
	3108	CRUMB SCREEN RHEF-45
	3107	CRUMB SCREEN RHEF-60
3	44718	WLDMT, MIDDLE TANK COVER RHEF-75
	44724	WLDMT, MIDDLE TANK COVER RHEF-45/RHEF-60
4	1121-33	ORIFICE BURNER NATURAL
	1122-51	ORIFICE BURNER L.P.
5	3136	IN-SHOT BURNER - (RHEF SERIES)
6	3932	MANIFOLD PIPE, CENTER INLET, RHEF-75
	3937	MANIFOLD PIPE, CENTER INLET, RHEF-45/RHEF-60
7	41210	VESSEL WLDMT, RHEF-45 - STANDARD
	41211	VESSEL WLDMT, RHEF-45 - PLUS
	42339	VESSEL WLDMT, RHEF-75 - STANDARD
	42340	VESSEL WLDMT, RHEF-75 - PLUS
	43940	VESSEL WLDMT, RHEF- 60 - STANDARD
	43939	VESSEL WLDMT, RHEF-60 - PLUS
8	3146	DRAIN VALVE, FULL PORT
	3151	DRAIN VALVE FULL PORT WITH SENSOR
9	42507	HANDLE, FULL PORT DRAIN VALVE (FILTER SYSTEM - 2 - 3 - 5 - 6 TANKS)
	42561	HANDLE, DRAIN VALVE (FILTER SYSTEM -1 TANK)
10	43891	SINGLE TROUGH (FILTER SYSTEM - 2 - 3 - 5 TANKS)
11	43890	DOUBLE TROUGH RHEF-75/RHEF-60 (FILTER SYSTEM - 3 - 4 - 5 - 6 TANKS)
	43892	DOUBLE TROUGH RHEF-45 (FILTER SYSTEM - 3 - 4 - 5 - 6 TANKS)
12	3112	HI LIMIT SWITCH
13	2526	POWER SWITCH
14	5815	GAS REGULATOR, - NATURAL
	1619	GAS REGULATOR, - L.P.
15	5806	TRANSFORMER, 120VAC - 24VDC (CM MODELS)
16	5853	IGNITION MODULE - SPARK MODULE
17	5814	TEMPERATURE PROBE ONLY CM SERIES
	5816	TEMPERATURE PROBE ONLY DM & DM2 SERIES
18	5808	RELAY 24VDC ,15 AMPS,COIL
	2499	RELAY - 15A / 120V (CM MODELS)
19	2515	SOLENOID GAS VALVE
20	5802	AIR PRESSURE SWITCH
21	5901	CM CONTROLER
22	5907	CONTROLLER, 2 CHANNEL (DM-2 MODELS)
	5811	DIGITAL CONTROLLER (DM-1 MODELS)
23	42292	PLATE, COMUTER MTG (CM MODELS)
24	42365	PLATE MTG (DM-1/DM-2 MODELS)
25	42699	LEVER, VALVE, RH PULL
	42841	LEVER, VALVE, LH PULL
26	2685	PUMP & MOTOR ASSY
	1327	18" WHITE SILICONE HOSE
27	2539	MICRO SWITCH
28	5001	2-WAY VALVE
29	5807	BLOWER ASSEMBLY
30	44644	BASKET HANGER, RHEF-75
	44647	BASKET HANGER RHEF-45
31	2193	PLATE CASTER W-BRAKE
	2192	PLATE CASTER WITHOUT BRAKE

FILTER SYSTEM - RHEF- SERIES - PART LIST		
ITEM NO.	PART NO.	DESCRIPTION
32	42120	CATCH BASKET WLDMT, 80 LBS PAN
	42047	CATCH BASKET WLDMT, 100 LBS PAN
	42574	CATCH BASKET WLDMT, RHEF-45-1
	42566	CATCH BASKET WLDMT, RHEF-75-1
33	42125	SCREEN WLDMT, FINE MESH, 80 LBS TRIPLE FILTER
	42053	SCREEN WLDMT, FINE MESH, 100 LB TANKS, TRIPLE FILTER
34	42119	LOWER BASKET, 80 LBS PAN, TRIPLE FILTER
	42050	LOWER BASKET, 100 LBS PAN, TRIPPLE FILTER
35	42256	PERMAFIL SCREEN ASSY 15 X 15
36	42197	FILTER RETAINER WLDMT 80 &100 LB (FILTER SYSTEM - 2 - 3 - 5 - 6 TANKS)
	42546	FILTER RETAINER WLDMT, RHEF-45-1
	41697	FILTER RETAINER WLDMT, RHEF-75-1
37	42200	FRAME, FILTER SUPPORT 80 &100 LB (FILTER SYSTEM - 2 - 3 - 5 - 6 TANKS)
	42562	FRAME, FILTER SUPPORT, RHEF-45-1
	42127	FRAME, FILTER SUPPORT, RHEF-75-1
38	42241	SCREEN, FILTER PAN, 80 &100 LB (FILTER SYSTEM - 2 - 3 - 5 - 6 TANKS)
	42563	SCREEN, FILTER PAN, RHEF-45-1
	41694	SCREEN, FILTER PAN, RPF & RHEF-75-1
39	43209	FILTER PAN WLDMT, 80 LBS
	43218	FILTER PAN WLDMT, 100 LBS
40	1328	QUICK DISCONNECT FEMALE COUPLER
41	1329	QUICK DISCONNECT MALE PLUG
42	42460	WAND ASSY, 60 IN HOSE WITH HANDLE
43	4898	CASTER, FILTER PAN
44	1012	HOSE ASSY, 60 IN LONG
45	4882	BLACK - QUICK DISCONNECT - FEMALE PLUG
46	4883	NIPPLE, QUICK DISCONNECT - MALE PLUG
47	4917	SUCTION TUBE
48	44737	WLDMT FILTER PAN 100 LB
	44738	WLDMT FILTER PAN 80LBS
49	4878	PERMAFIL SCREEN 15 X 23
50	4880	FILTER SCREEN TUBULAR